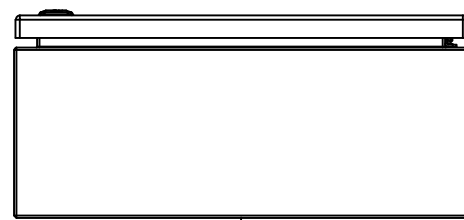
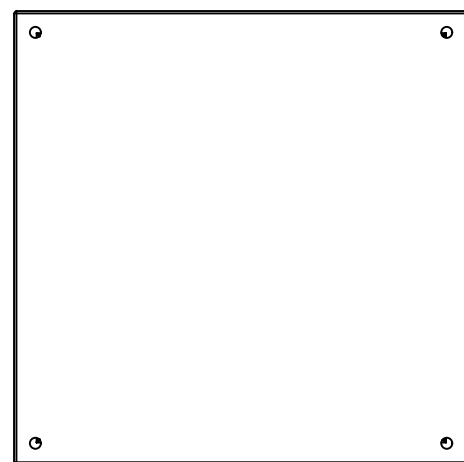


This drawing is confidential and must not be reproduced or used without the consent of EXM

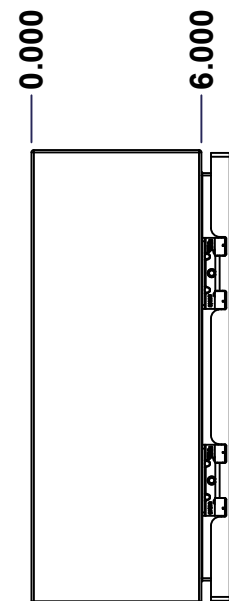
Ce dessin est confidentiel et ne doit pas être reproduit ou utilisé sans le consentement de EXM



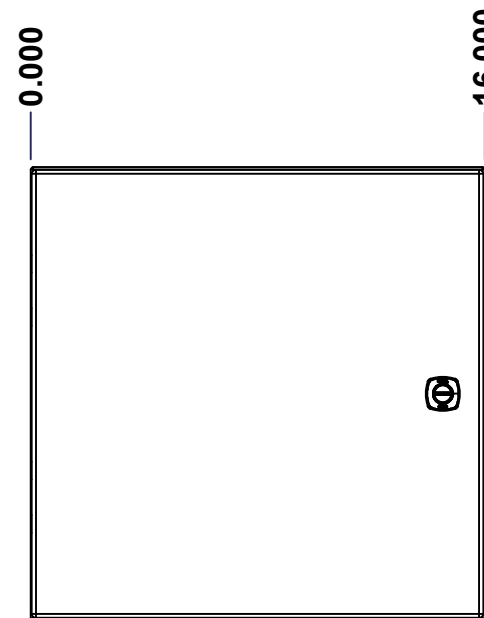
TOP



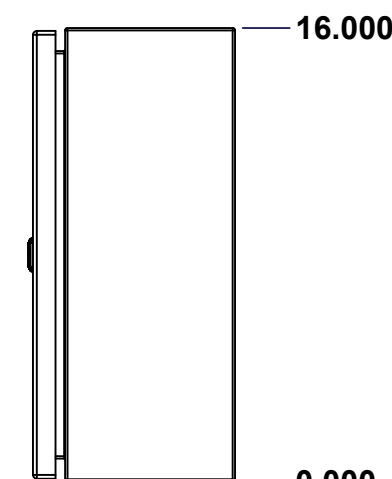
BACK



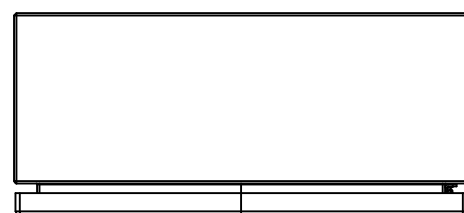
LEFT



FRONT



RIGHT

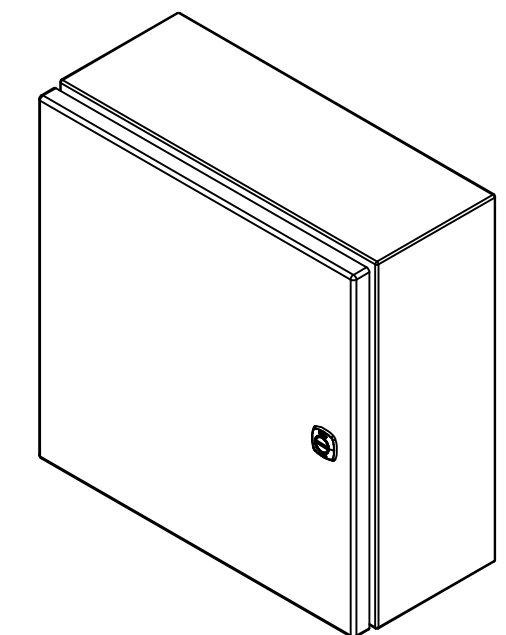


BOTTOM

**GRAIN DIRECTION:  
TOP/BOTTOM: HORIZONTAL  
LEFT/RIGHT/BACK/FRONT: VERTICAL**


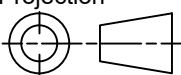
SEE BILL OF MATERIAL ON LAST PAGE

| No. | Revisions | Date | By/Par |
|-----|-----------|------|--------|
|     |           |      |        |
|     |           |      |        |
|     |           |      |        |
|     |           |      |        |



Isometric View



|  |   |
|--|---|
|  Tél: (450) 979-4373<br>Fax: (450) 979-4626<br><a href="http://www.exmweb.com">www.exmweb.com</a> | Flatness<br>Aplatissement<br>Max 3.0mm  |
|  | Projection<br> |
| Customer Client  | Date  |
| Drawn By<br>Dessiné Par BoxCad: BoxCad   | Date 18-Oct-19  |
| Material<br>Matière 16 Ga Stainless Steel 316 (1.4mm)  |   |
| Color<br>Couleur Unpainted   | Finish<br>Fini Brushed  |
| Description<br>5412ESS 16" x 16" x 6" Assembly   | Detail Rev.   |
| Part Number<br>Numéro Pièce 5412ESS1616066   | Rev. 0  |

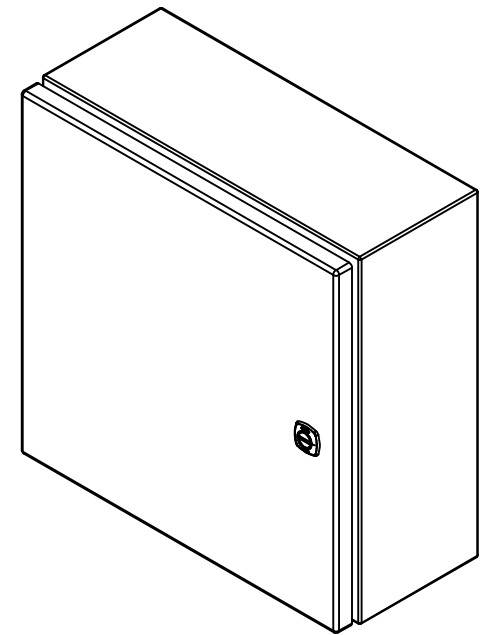
1  
9

This drawing is confidential and must not be reproduced or used without the consent of EXM

Ce dessin est confidentiel et ne doit pas être reproduit ou utilisé sans le consentement de EXM

| NOTE |  |
|------|--|
| ITEM | DESCRIPTION                                |
| 1    | NEMA 4X Enclosure (IP66)                   |
| 2    | C/W Standard ground studs on box and cover |
| 3    | C/W Standard door stiffener                |
| 4    | C/W Standard inner panel (Included)        |
| 5    | C/W Standard inner panel mounting studs    |

| No. | Revisions | Date | By/Par |
|-----|-----------|------|--------|
|     |           |      |        |
|     |           |      |        |
|     |           |      |        |
|     |           |      |        |
|     |           |      |        |
|     |           |      |        |



Isometric View



Tél: (450) 979-4373  
 Fax: (450) 979-4626  
[www.exmweb.com](http://www.exmweb.com)

Flatness  
Aplatissement  
Max 3.0mm  
Projection

|   |                 |
|---|-----------------|
| Customer Client                                       | Date            |
| Drawn By / Dessiné Par: BoxCad: BoxCad                | Date: 18-Oct-19 |
| Material / Matière: 16 Ga Stainless Steel 316 (1.4mm) |                 |

|   |                        |
|---|------------------------|
| Color / Couleur: Unpainted                        | Finish / Fini: Brushed |
| Description: 5412ESS 16" x 16" x 6" Assembly      |                        |
| Part Number / Numéro Pièce: <b>5412ESS1616066</b> | Rev. 0                 |

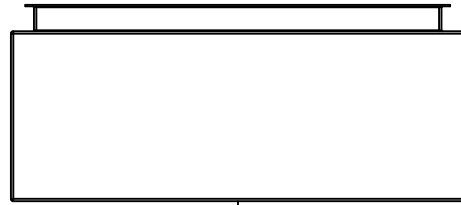
| PACKING               |     |  |
|-----------------------|-----|--|
| ITEM                  | QTY | DESCRIPTION                                |
| Cardboard sleeve      | 2   | Top and Bottom                             |
| Cardboard strip       | 2   | Between back of enclosure and inner panel  |
| Plastic bag           | 1   | To protect cover surface and inside gasket |
| Plastic strap - Black | 2   | To Squeeze the 2 cardboard sleeve together |
| Packaging label       | 1   | White label with product number            |

| Qty | Part Number     | Rev | Description  |
|-----|-----------------|-----|--|
| 1   | 881 SP1616G     | 0   | 881 SP - Inner Panel   |
| 2   | STK-K-01320     | 0   | 5412 ES Inner Panel Accessory Kit                                      |
| 1   | STK-K-01800     | 5   | 5412 ES Accessory Kit  |
| 1   | 5412ESS1616066C | 0   | 5412ESS 16" x 16" Cover  |
| 1   | 5412ESS1616066B | 0   | 5412ESS 16" x 16" x 6" Body  |
| 2   | STK-Q-04051-08  | 1   | M6 x 8mm Stainless Steel Hexagon Socket Head Machine Screw with Nyseal |

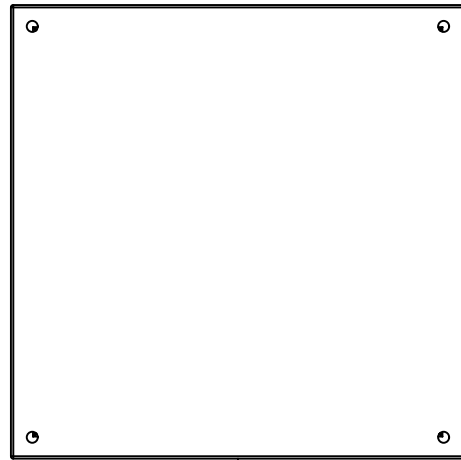
Parts List

This drawing is confidential and must not be reproduced or used without the consent of EXM

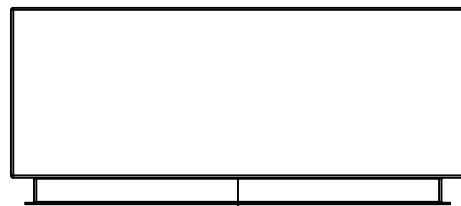
Ce dessin est confidentiel et ne doit pas être reproduit ou utilisé sans le consentement de EXM



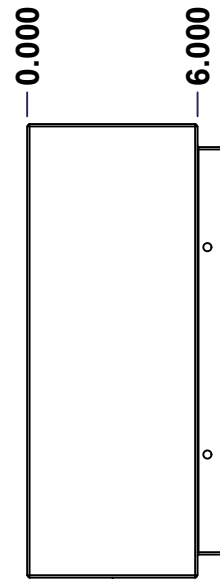
TOP



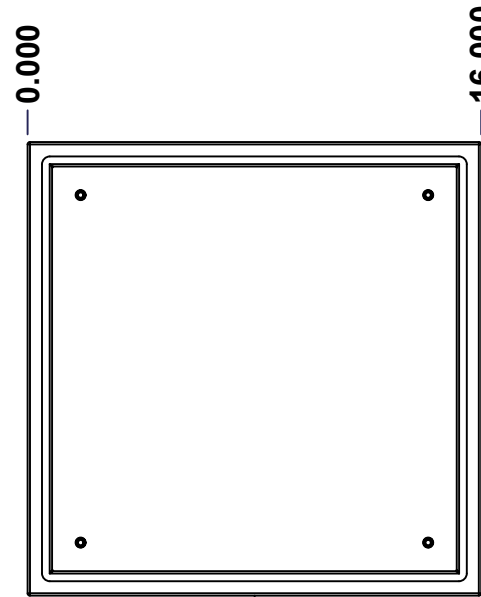
BACK



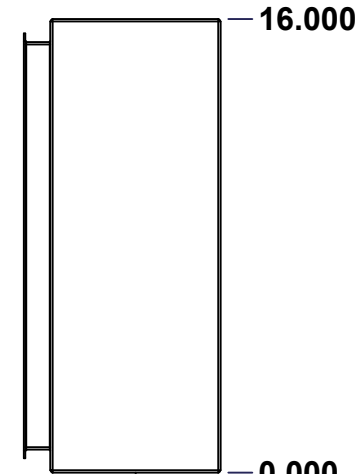
BOTTOM



LEFT

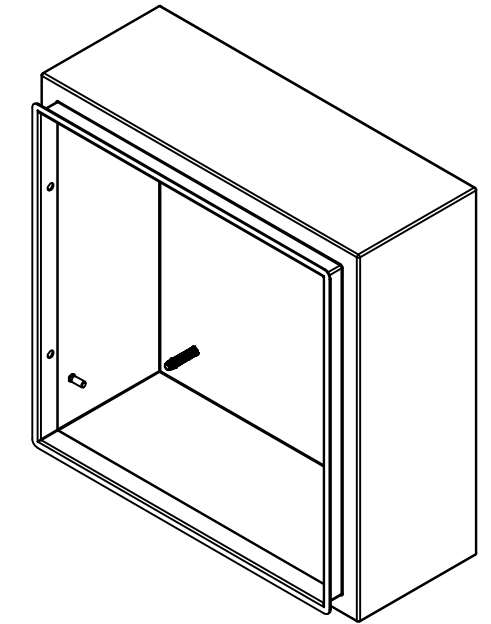


FRONT



RIGHT

| No. | Revisions | Date | By/Par |
|-----|-----------|------|--------|
|     |           |      |        |
|     |           |      |        |
|     |           |      |        |
|     |           |      |        |



Isometric View



Tél: (450) 979-4373  
 Fax: (450) 979-4626  
[www.exmweb.com](http://www.exmweb.com)

Flatness  
Aplatissement

Max 3.0mm

Projection



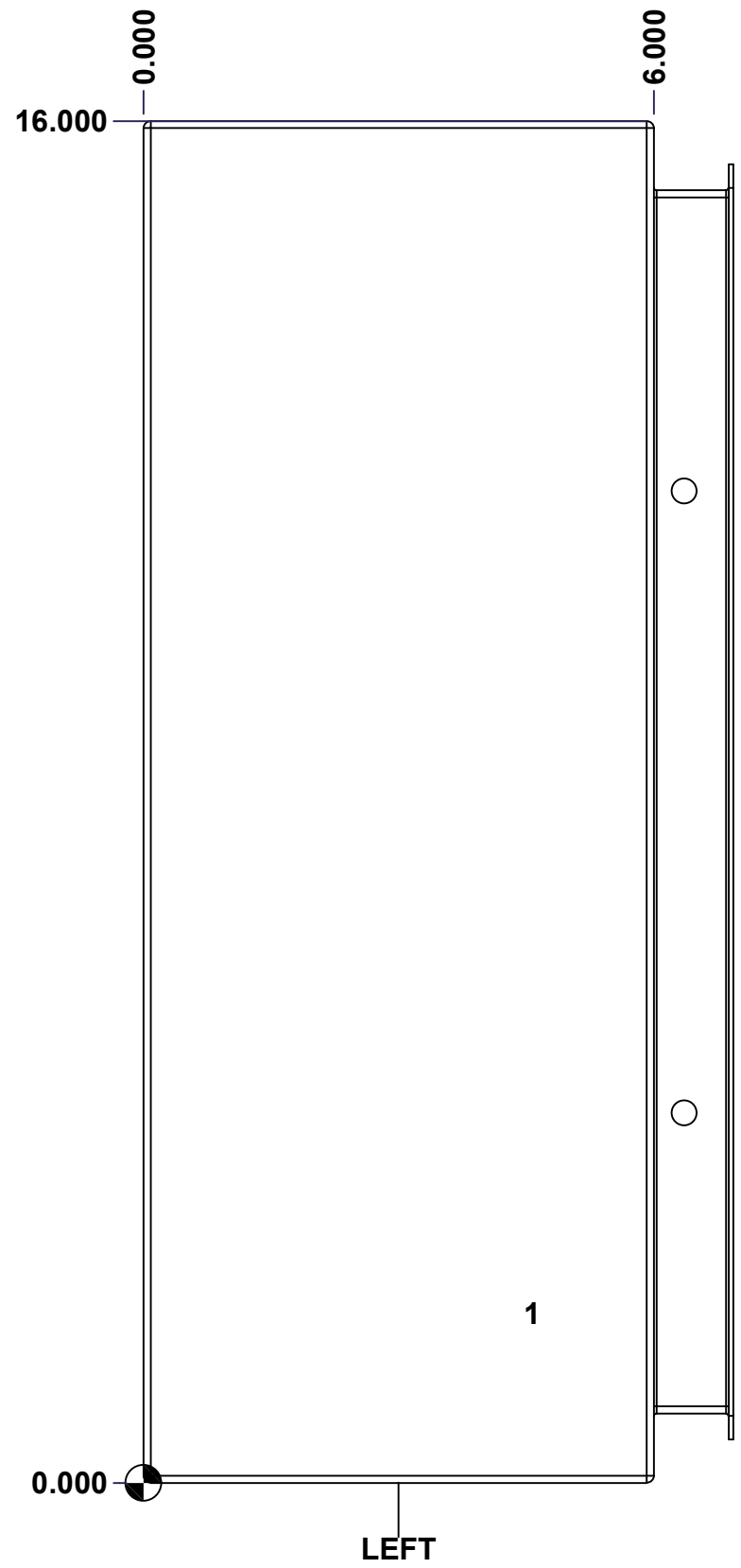
|   |                        |
|---|------------------------|
| Customer Client                                       | Date                   |
| Drawn By<br>Dessiné Par BoxCad: BoxCad                | Date 18-Oct-19         |
| Material<br>Matière 16 Ga Stainless Steel 316 (1.4mm) |                        |
| Color<br>Couleur Unpainted                            | Finish<br>Fini Brushed |
| Description<br>5412ESS 16" x 16" x 6" Body            | Detail Rev.            |
| Part Number<br>Numéro Pièce <b>5412ESS1616066B</b>    | Rev. 3<br><b>0</b>     |

SEE BILL OF MATERIAL ON LAST PAGE

This drawing is confidential and must not be reproduced or used without the consent of EXM

Ce dessin est confidentiel et ne doit pas être reproduit ou utilisé sans le consentement de EXM

| <b>STANDARD FEATURES ARE NOT LISTED IN THIS HOLE TABLE</b> |       |       |                             |
|--|-------|-------|-----------------------------|
| <b>HOLE TABLE - LEFT VIEW (CUSTOM FEATURE ONLY)</b>        |       |       |                             |
| CUT-OUT  | XDIM  | YDIM  | DESCRIPTION                 |
| 1  | 4.500 | 2.000 | GND STUD M6 x 16mm (Inside) |

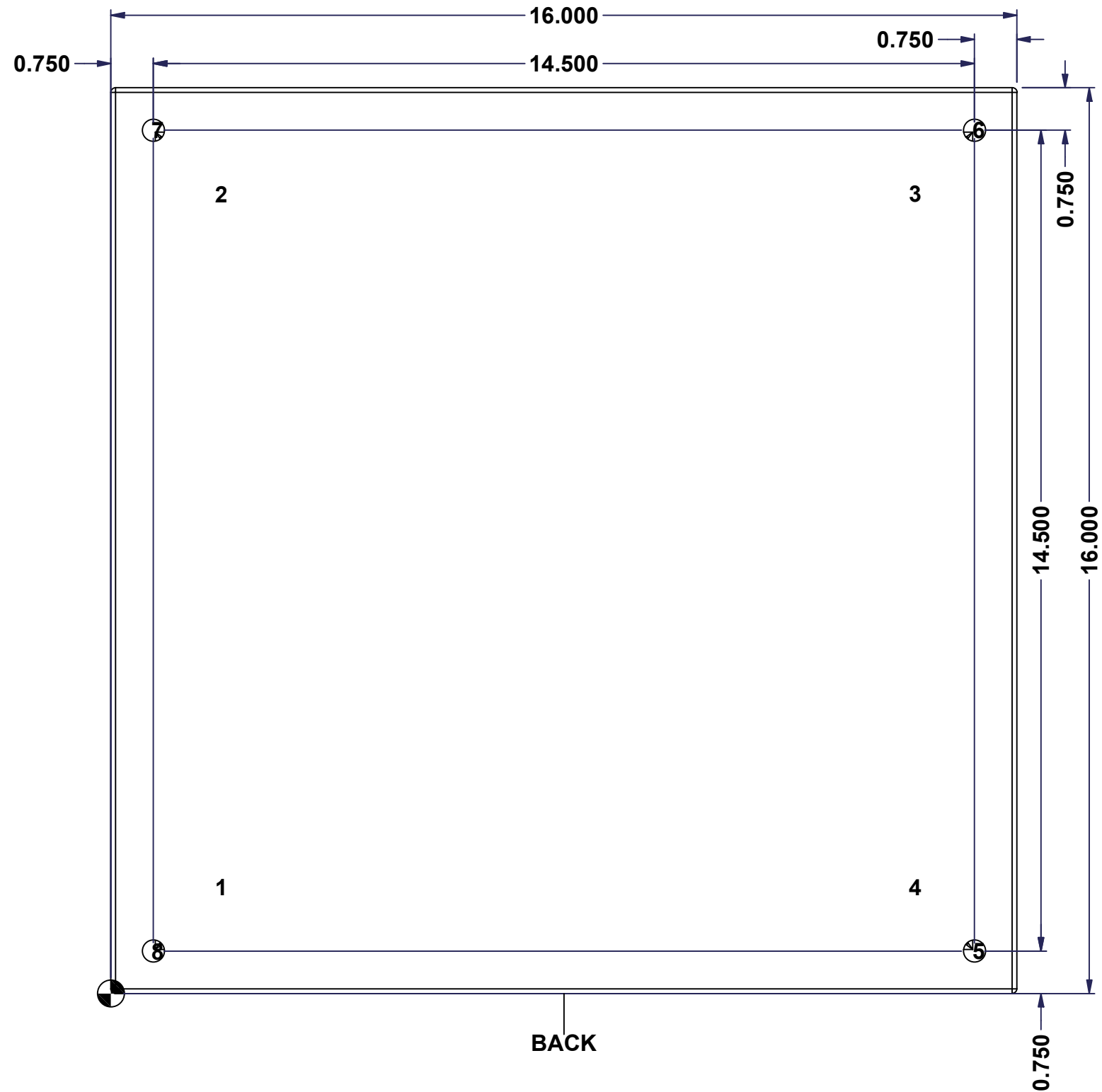


|  |                             |          |        |
|--|-----------------------------|----------|--------|
|  | Description                 | Status   |        |
|  | 5412ESS 16" x 16" x 6" Body | (NULL)   |        |
|  | Part Number<br>Numéro Pièce | Rev.     |        |
|  | <b>5412ESS1616066B</b>      | <b>0</b> | 4<br>9 |

This drawing is confidential and must not be reproduced or used without the consent of EXM

Ce dessin est confidentiel et ne doit pas être reproduit ou utilisé sans le consentement de EXM

| STANDARD FEATURES ARE NOT LISTED IN THIS HOLE TABLE |        |        |                            |
|---|--------|--------|----------------------------|
| HOLE TABLE - BACK VIEW (CUSTOM FEATURE ONLY)        |        |        |                            |
| CUT-OUT   | XDIM   | YDIM   | DESCRIPTION                |
| 1   | 1.875  | 1.875  | IP STUD M8 x 35mm (Inside) |
| 2   | 1.875  | 14.125 | IP STUD M8 x 35mm (Inside) |
| 3   | 14.125 | 14.125 | IP STUD M8 x 35mm (Inside) |
| 4   | 14.125 | 1.875  | IP STUD M8 x 35mm (Inside) |
| -----   |        |        |                            |
| 5   | 15.250 | 0.750  | RND Ø0.390                 |
| 6   | 15.250 | 15.250 | RND Ø0.390                 |
| 7   | 0.750  | 15.250 | RND Ø0.390                 |
| 8   | 0.750  | 0.750  | RND Ø0.390                 |

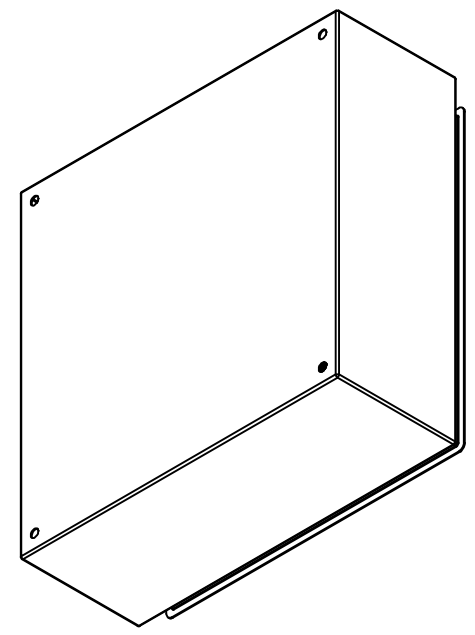


|   |                             |        |
|---|-----------------------------|--------|
|   | Description                 | Status |
|   | 5412ESS 16" x 16" x 6" Body | (NULL) |
| Part Number<br>Numéro Pièce<br><b>5412ESS1616066B</b> | Rev.                        | 5      |
|   | <b>0</b>                    | 9      |

This drawing is confidential and must not be reproduced or used without the consent of EXM


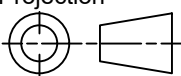
Ce dessin est confidentiel et ne doit pas être reproduit ou utilisé sans le consentement de EXM

| No. | Revisions | Date | By/Par |
|-----|-----------|------|--------|
|     |           |      |        |
|     |           |      |        |
|     |           |      |        |
|     |           |      |        |
|     |           |      |        |



Isometric View

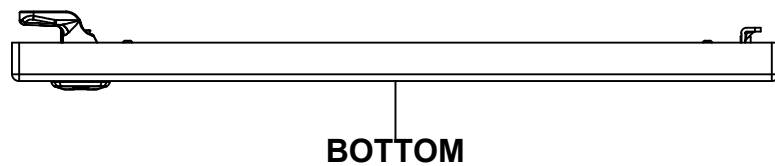
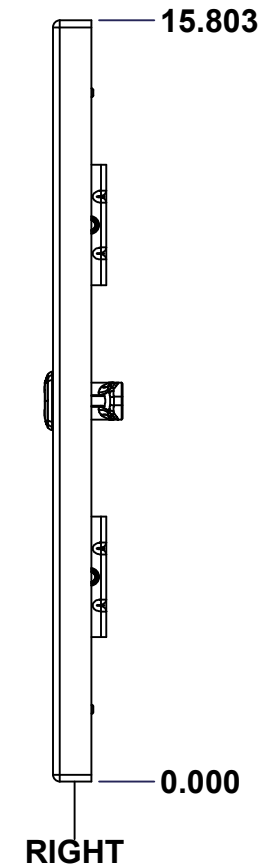
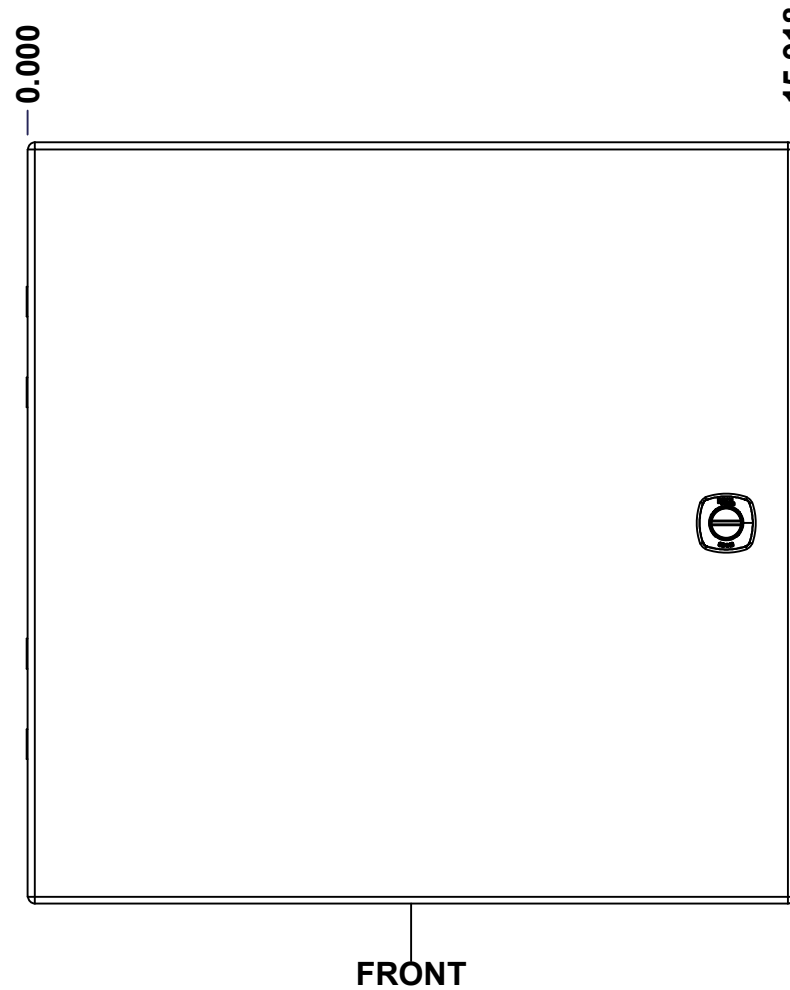
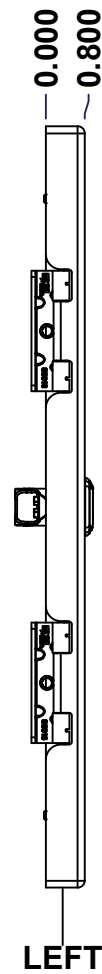
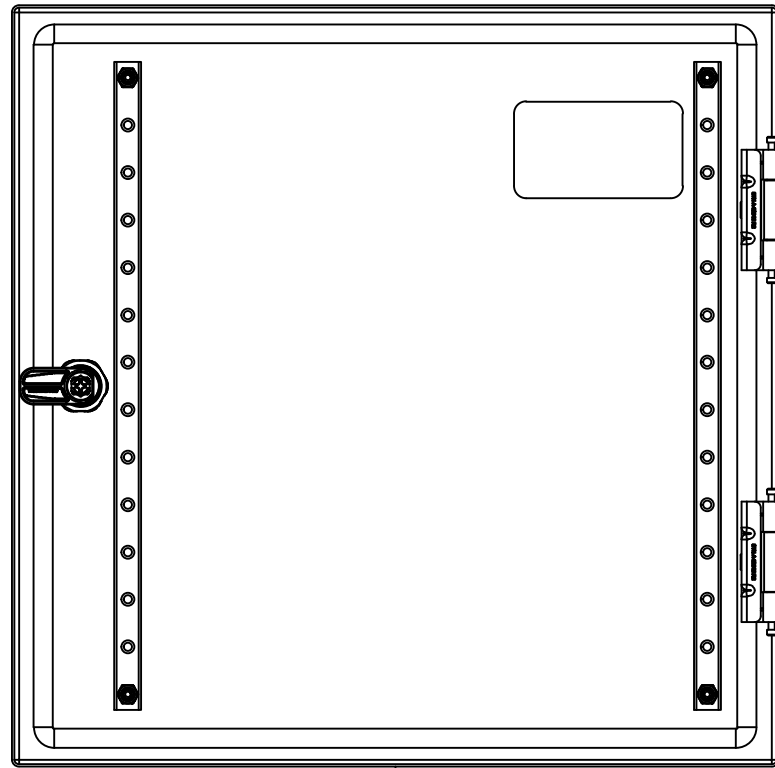
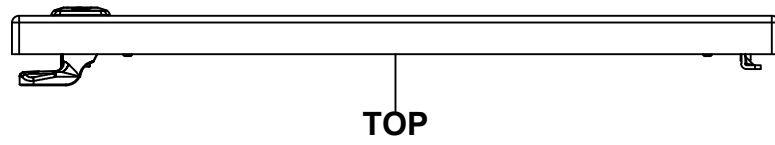


|  |                                   |   |
|--|-----------------------------------|---|
|  Tél: (450) 979-4373<br>Fax: (450) 979-4626<br><a href="http://www.exmweb.com">www.exmweb.com</a> | Flatness<br>Aplatissement         | Max 3.0mm   |
|  | Projection                        |  |
| Customer Client  | Date                              |   |
| Drawn By<br>Dessiné Par  | BoxCad: BoxCad                    | Date 18-Oct-19  |
| Material<br>Matière  | 16 Ga Stainless Steel 316 (1.4mm) |   |
| Color<br>Couleur   | Unpainted                         | Finish<br>Fini<br>Brushed   |
| Description  | Detail Rev.                       |   |
| Part Number<br>Numéro Pièce  | 5412ESS1616066B                   | Rev. 6  |
|  |                                   | 9   |

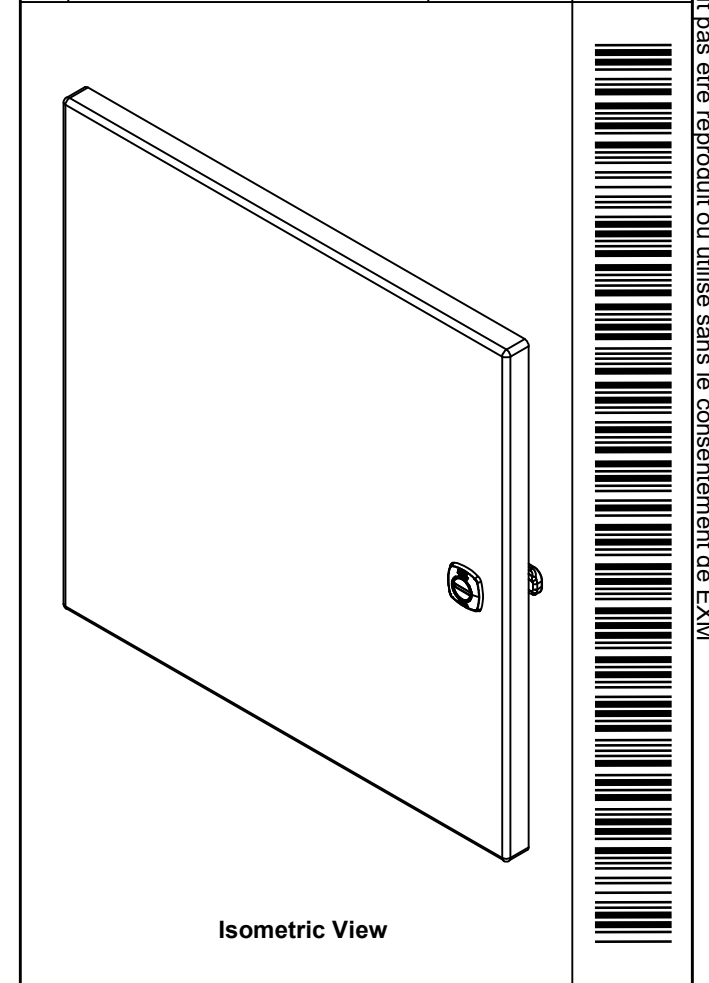
| Qty        | Part Number       | Rev | Description                           |
|------------|-------------------|-----|---------------------------------------|
| 1          | STK-Q-16085       | 0   | Ground Stud M6 x 16mm Stainless Steel |
| 4          | STK-Q-16020       | 1   | Stud M8 x 35mm Stainless Steel        |
| 1          | 5412ESS1616066B-P | 0   | 5412ESS 16" x 16" x 6" Body Part      |
| Parts List |                   |     |                                       |


This drawing is confidential and must not be reproduced or used without the consent of EXM

Ce dessin est confidentiel et ne doit pas être reproduit ou utilisé sans le consentement de EXM



| No. | Revisions | Date | By/Par |
|-----|-----------|------|--------|
|     |           |      |        |
|     |           |      |        |
|     |           |      |        |
|     |           |      |        |



|  |                        |                           |
|--|------------------------|---------------------------|
|  Tél: (450) 979-4373<br>Fax: (450) 979-4626<br><a href="http://www.exmweb.com">www.exmweb.com</a> |                        | Flatness<br>Aplatissement |
|  |                        | Max 3.0mm                 |
| Customer<br>Client   |                        | Date                      |
| Drawn By<br>Dessiné Par BoxCad: BoxCad   |                        | Date 18-Oct-19            |
| Material<br>Matière 16 Ga Stainless Steel 316 (1.4mm)  |                        |                           |
| Color<br>Couleur Unpainted   | Finish<br>Fini Brushed |                           |
| Description<br>5412ESS 16" x 16" Cover   |                        | Detail Rev.               |
| Part Number<br>Numéro Pièce <b>5412ESS1616066C</b>   |                        | Rev. <b>0</b>             |
| SEE BILL OF MATERIAL ON LAST PAGE  |                        | 7<br>9                    |

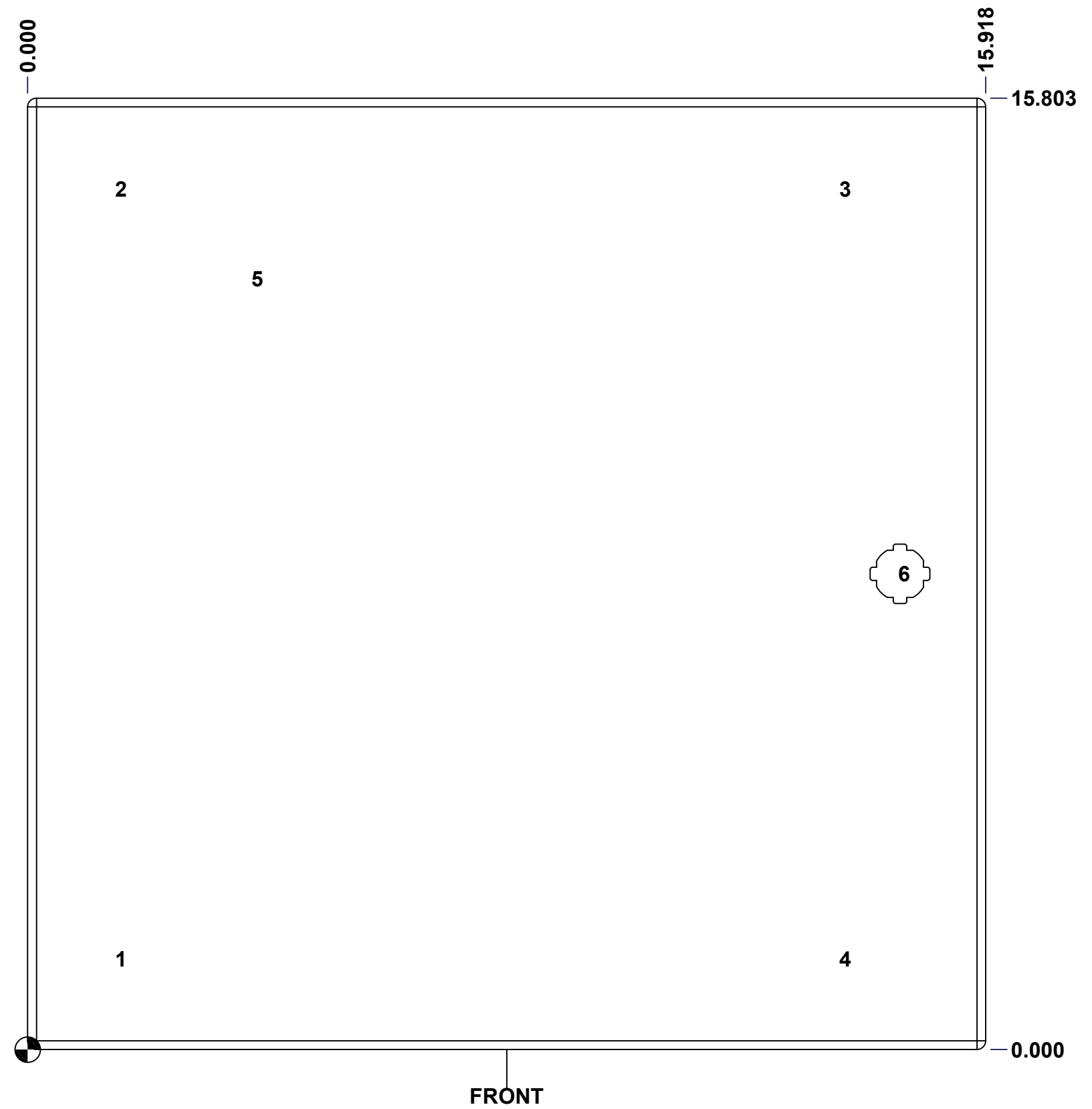
This drawing is confidential and must not be reproduced or used without the consent of EXM

Ce dessin est confidentiel et ne doit pas être reproduit ou utilisé sans le consentement de EXM

**STANDARD FEATURES ARE NOT LISTED IN THIS HOLE TABLE**

**HOLE TABLE - FRONT VIEW (CUSTOM FEATURE ONLY)**

| CUT-OUT | XDIM   | YDIM   | DESCRIPTION                |
|---------|--------|--------|----------------------------|
| 1       | 1.486  | 1.504  | STUD M6 x 18mm (Inside)    |
| 2       | 1.486  | 14.299 | STUD M6 x 18mm (Inside)    |
| 3       | 13.517 | 14.299 | STUD M6 x 18mm (Inside)    |
| 4       | 13.517 | 1.504  | STUD M6 x 18mm (Inside)    |
| -----   |        |        |                            |
| 5       | 3.750  | 12.803 | LABEL_EXM (Inside)         |
| 6       | 14.494 | 7.902  | LOCK 880 SCQ4-SLSS6 @ 0.0° |



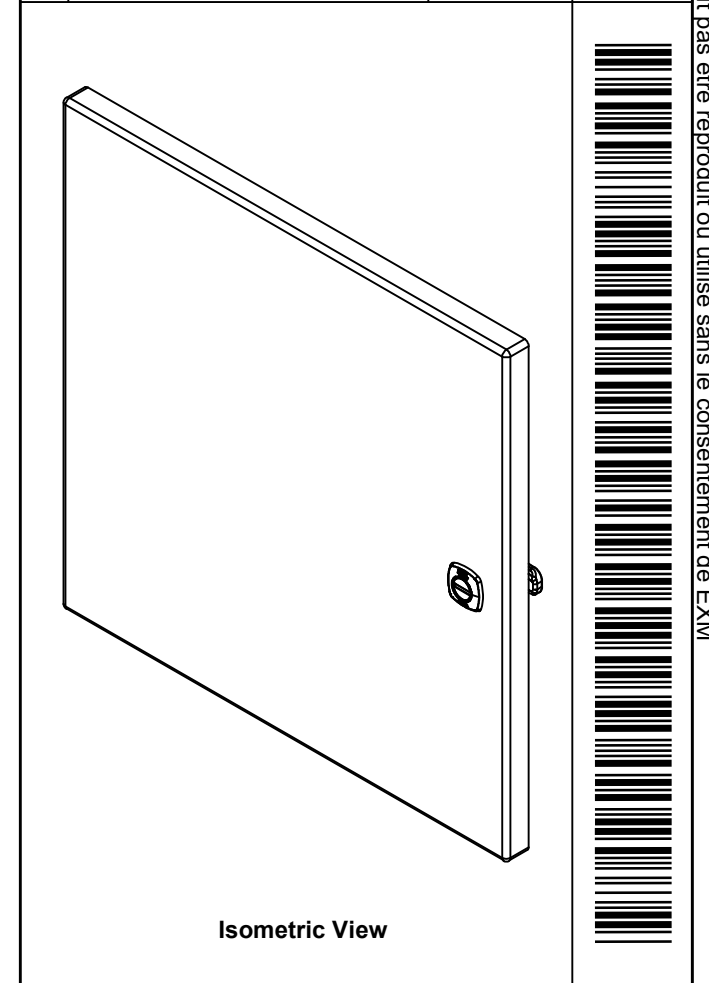
FRONT

|  |                             |          |        |
|--|-----------------------------|----------|--------|
|  | Description                 | Status   |        |
|  | 5412ESS 16" x 16" Cover     | (NULL)   |        |
|  | Part Number<br>Numéro Pièce | Rev.     |        |
|  | <b>5412ESS1616066C</b>      | <b>0</b> | 8<br>9 |

This drawing is confidential and must not be reproduced or used without the consent of EXM

Ce dessin est confidentiel et ne doit pas être reproduit ou utilisé sans le consentement de EXM

| No. | Revisions | Date | By/Par |
|-----|-----------|------|--------|
|     |           |      |        |
|     |           |      |        |
|     |           |      |        |
|     |           |      |        |
|     |           |      |        |



**EXM**  
www.exm.com

Tél: (450) 979-4373  
Fax: (450) 979-4626  
[www.exmweb.com](http://www.exmweb.com)

Flatness  
Aplatissement  
Max 3.0mm

Projection

|  |                 |
|--|-----------------|
| Customer Client                        | Date            |
| Drawn By / Dessiné Par: BoxCad: BoxCad | Date: 18-Oct-19 |

|                    |                                   |
|--------------------|-----------------------------------|
| Material / Matière | 16 Ga Stainless Steel 316 (1.4mm) |
|--------------------|-----------------------------------|

|                 |           |               |         |
|-----------------|-----------|---------------|---------|
| Color / Couleur | Unpainted | Finish / Fini | Brushed |
|-----------------|-----------|---------------|---------|

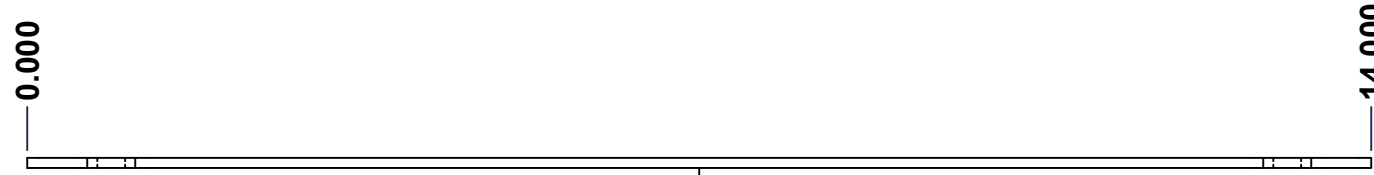
|                         |             |
|-------------------------|-------------|
| Description             | Detail Rev. |
| 5412ESS 16" x 16" Cover |             |

|                            |          |   |
|----------------------------|----------|---|
| Part Number / Numéro Pièce | Rev.     | 9 |
| <b>5412ESS1616066C</b>     | <b>0</b> | 9 |

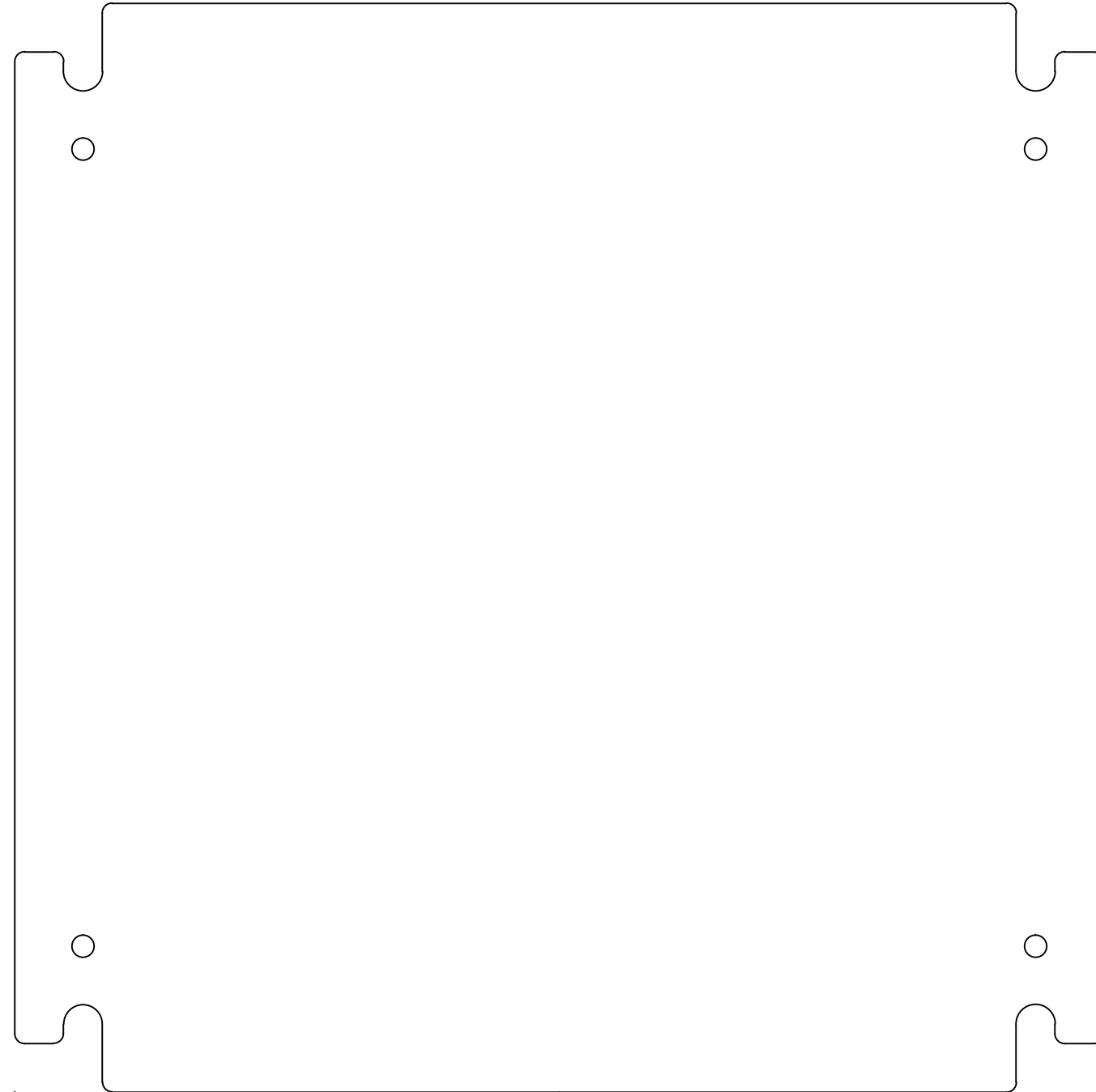
| QTY        | Part Number       | Rev | Description                            |
|------------|-------------------|-----|--|
| 1          | STK-K-12590       | 7   | 5412 ESS 1/4 Turn Lock                 |
| 1          | STK-S-00100       | 0   | 3.5" x 2" Silver Milar Flexcon Sticker |
| 2          | STK-Q-46020-16    | 5   | 5412 ES Vertical Door Stiffener 16"    |
| 4          | STK-Q-16070       | 1   | Stud M6 x 18mm Stainless steel         |
| 1          | 5412ESS1616066G   | 0   | 5412ESS 16" x 16" Cover Gasket Part    |
| 1          | 5412ESS1616066C-P | 0   | 5412ESS 16" x 16" Cover Part           |
| 2          | STK-A-33016       | 0   | 5412 ESS Bended Hinge (Body Part)      |
| 4          | STK-Q-07220       | 1   | M6 Nylon Insert Lock Nut               |
| Parts List |                   |     |  |

This drawing is confidential and must not be reproduced or used without the consent of EXM

Ce dessin est confidentiel et ne doit pas être reproduit ou utilisé sans le consentement de EXM



TOP



FRONT

14.000

0.000

RIGHT

| No. | Revisions | Date | By/Par |
|-----|-----------|------|--------|
|     |           |      |        |
|     |           |      |        |
|     |           |      |        |
|     |           |      |        |
|     |           |      |        |

**Isometric View**

**EXM**  
www.exmweb.com

Tél: (450) 979-4373  
Fax: (450) 979-4626

Flatness  
Aplatissement  
Max 3.0mm

Projection

|                                |                |
|--------------------------------|----------------|
| Customer Client                | Date           |
| Drawn By<br>Dessiné Par BoxCad | Date 23-Jan-07 |
| Material<br>Matière            | See Part List  |
| Color<br>Couleur               | See Part List  |
| Finish<br>Fini                 | See Part List  |

|                             |             |
|-----------------------------|-------------|
| Description                 | Detail Rev. |
| 881 SP - Inner Panel        |             |
| Part Number<br>Numéro Pièce | Rev.        |
| <b>881 SP1616G</b>          | <b>0</b>    |

| Qty | Part Number   | Rev | Description               | Material         | Color     | Finish     |
|-----|---------------|-----|---------------------------|------------------|-----------|------------|
| 1   | 881 SP1616G-P | 0   | 881 SP - Inner Panel Part | 12 Ga Galvanized | Unpainted | Galvanized |

Parts List

1  
2

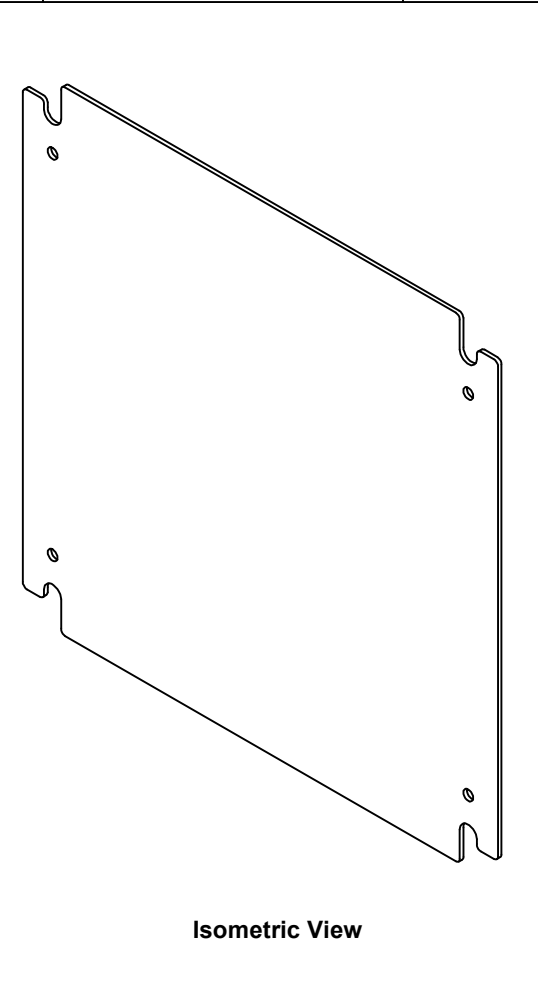
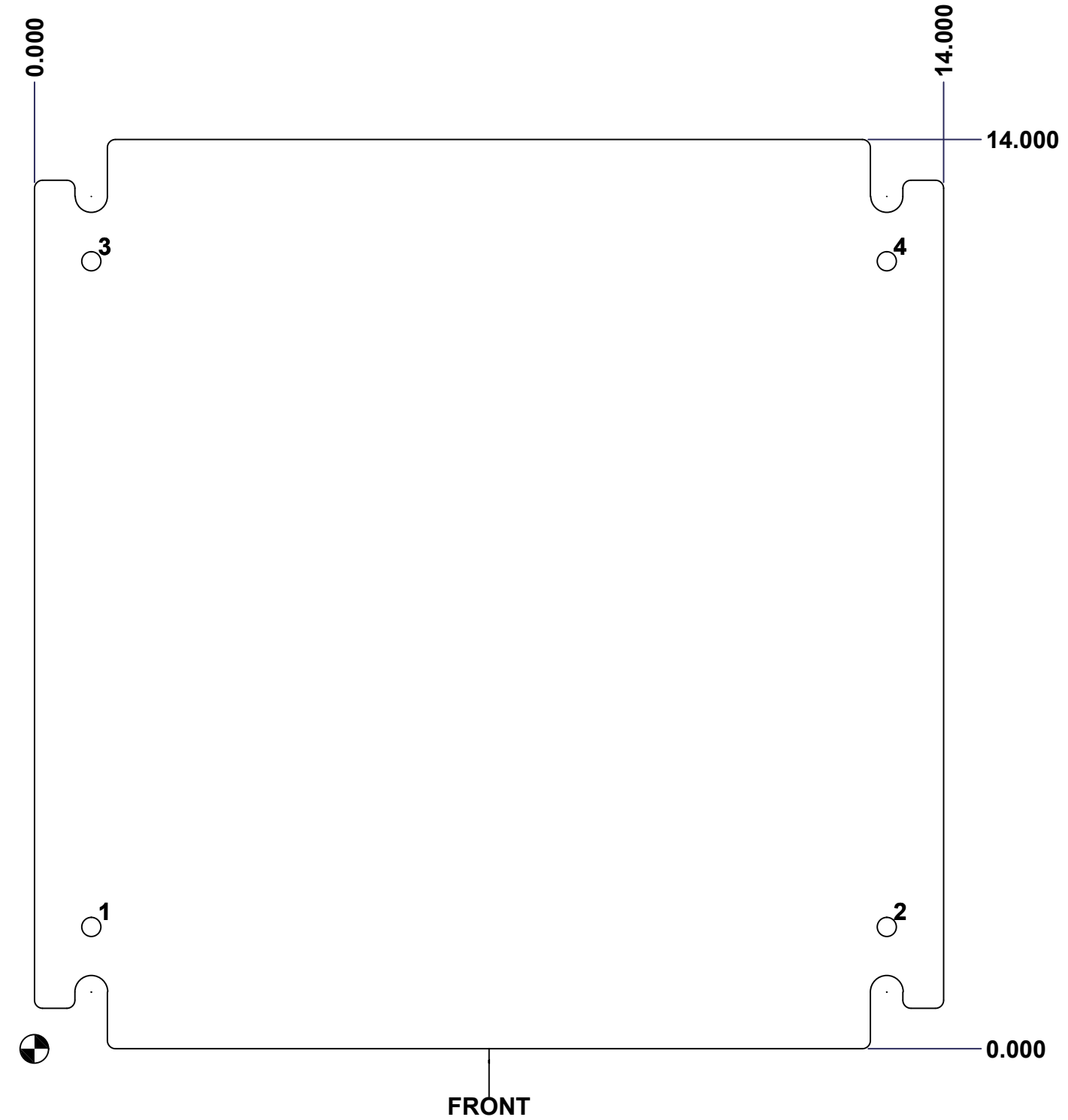
This drawing is confidential and must not be reproduced or used without the consent of EXM

Ce dessin est confidentiel et ne doit pas être reproduit ou utilisé sans le consentement de EXM

| Table 1 |        |        | FRONT VIEW               |
|---------|--------|--------|--------------------------|
| CUT-OUT | XDIM   | YDIM   | DESCRIPTION              |
| 1       | 0.875  | 1.875  | GROUND HOLE (RND Ø0.290) |
| 2       | 13.125 | 1.875  | GROUND HOLE (RND Ø0.290) |
| 3       | 0.875  | 12.125 | GROUND HOLE (RND Ø0.290) |
| 4       | 13.125 | 12.125 | GROUND HOLE (RND Ø0.290) |

All knockouts are actual size / Les disques défonçables sont grandeur réel

| No. | Revisions | Date | By/Par |
|-----|-----------|------|--------|
|     |           |      |        |
|     |           |      |        |
|     |           |      |        |
|     |           |      |        |
|     |           |      |        |



|  |               |                              |
|--|---------------|------------------------------|
| Tél: (450) 979-4373<br>Fax: (450) 979-4626<br>www.exmweb.com |               | Flatness<br>Aplatissement    |
|  |               | Max 3.0mm                    |
| Projection<br>   |               | Date                         |
| Customer<br>Client   |               | Date                         |
| Drawn By<br>Dessiné Par                                      | BoxCad        | Date 23-Jan-07               |
| Material<br>Matière  | See Part List |                              |
| Color<br>Couleur   | See Part List | Finish<br>Fini See Part List |
| Description  | Detail Rev.   |                              |
| 881 SP - Inner Panel   |               |                              |
| Part Number<br>Numéro Pièce                                  | Rev.          | 2                            |
| 881 SP1616G  | 0             | 2                            |