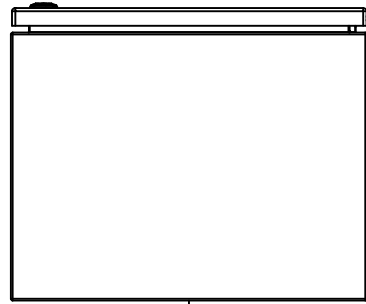
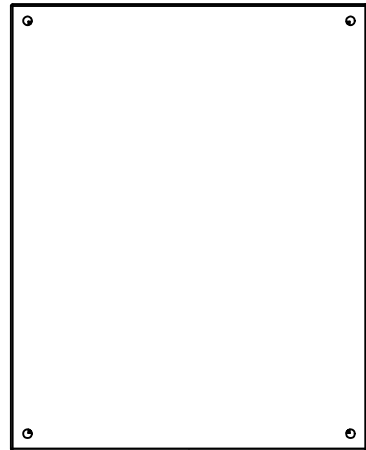


This drawing is confidential and must not be reproduced or used without the consent of EXM

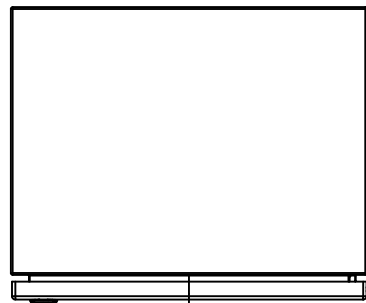
Ce dessin est confidentiel et ne doit pas être reproduit ou utilisé sans le consentement de EXM



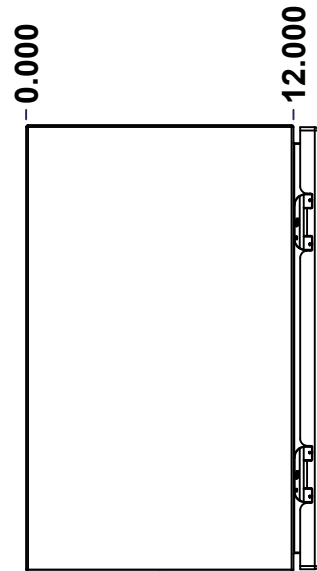
TOP



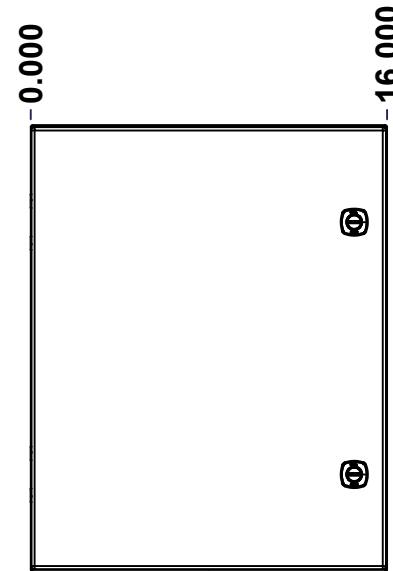
BACK



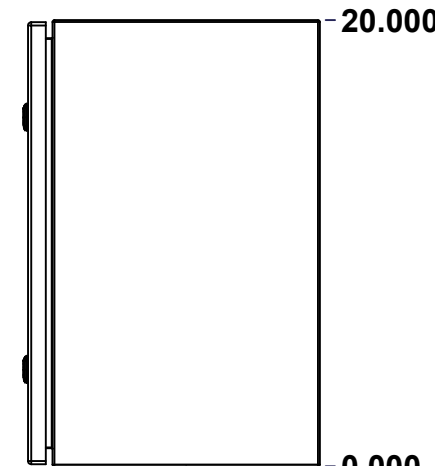
BOTTOM



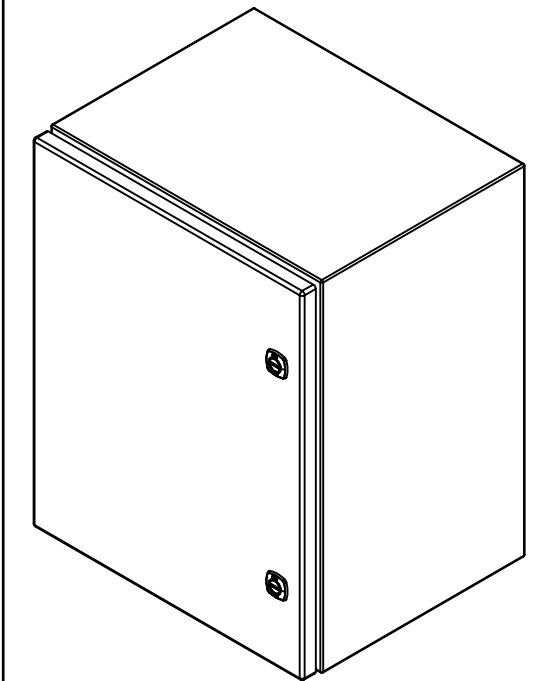
LEFT



FRONT



RIGHT




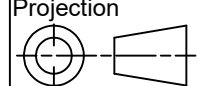
Isometric View



**GRAIN DIRECTION:
TOP/BOTTOM: HORIZONTAL
LEFT/RIGHT/BACK/FRONT: VERTICAL**

SEE BILL OF MATERIAL ON LAST PAGE

| No. | Revisions | Date | By/Par |
|-----|-----------|------|--------|
| | | | |
| | | | |
| | | | |
| | | | |
| | | | |

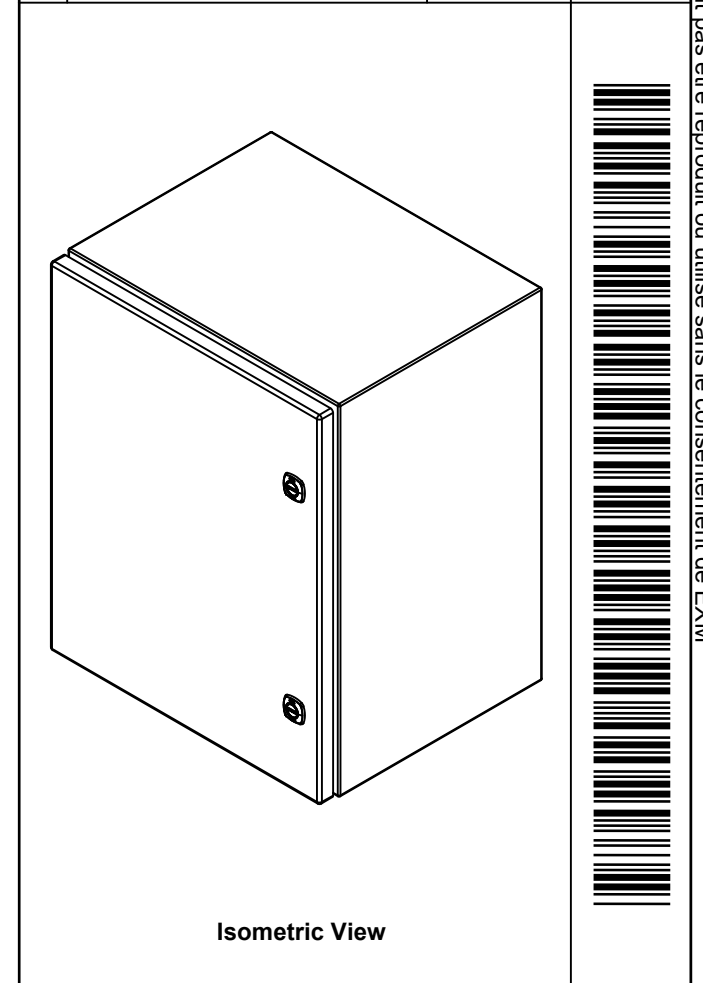
| | | |
|--|-----------------------------------|---|
|  Tél: (450) 979-4373 Fax: (450) 979-4626 www.exmweb.com | | Flatness Aplatissement Max 3.0mm Projection  |
| Customer Client | Date | |
| Drawn By Dessiné Par | BoxCad: BoxCad | Date 11-Feb-14 |
| Material Matière | 16 Ga Stainless Steel 304 (1.4mm) | |
| Color Couleur | Unpainted | Finish Fini Brushed |
| Description | Detail Rev. | |
| 5412ESS 20" x 16" x 12" Assembly | | |
| Part Number Numéro Pièce | Rev. | 1 |
| 5412ESS201612 | 0 | 2 |


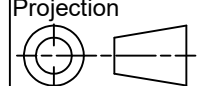
This drawing is confidential and must not be reproduced or used without the consent of EXM

Ce dessin est confidentiel et ne doit pas être reproduit ou utilisé sans le consentement de EXM

| NOTE | |
|------|--|
| ITEM | DESCRIPTION |
| 1 | NEMA 4X Enclosure |
| 2 | C/W Standard ground studs on box and cover |
| 3 | C/W Standard door stiffener |
| 4 | C/W Standard inner panel (Included) |
| 5 | C/W Standard inner panel mounting studs |

| No. | Revisions | Date | By/Par |
|-----|-----------|------|--------|
| | | | |
| | | | |
| | | | |
| | | | |
| | | | |
| | | | |



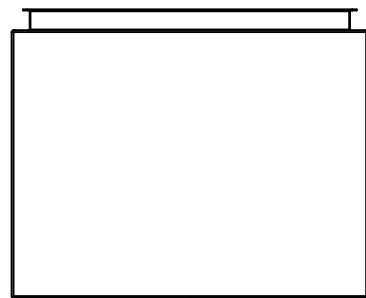
| | | |
|--|-----------------------------------|---|
|  Tél: (450) 979-4373 Fax: (450) 979-4626 www.exmweb.com | | Flatness Aplatissement Max 3.0mm Projection  |
| Customer Client | Date | Date 11-Feb-14 |
| Drawn By Dessiné Par | BoxCad: BoxCad | |
| Material Matière | 16 Ga Stainless Steel 304 (1.4mm) | |
| Color Couleur | Unpainted | Finish Fini Brushed |
| Description | 5412ESS 20" x 16" x 12" Assembly | |
| Part Number Numéro Pièce | 5412ESS201612 | Rev. 2 0 |

| | | | |
|------------|----------------|-----|--|
| 1 | STK-K-01800 | 5 | 5412 ES Accessory Kit |
| 1 | 880 PP | 6 | Self Adhesive Print Pocket |
| 1 | 881 SP2016G | 0 | 881 SP - Inner Panel |
| 1 | 5412ESS201612C | 0 | 5412ESS 20" x 16" Cover |
| 4 | STK-Q-07310 | 2 | Flange Lock Nut M8 |
| 4 | STK-Q-07610 | 8 | M8 Plastic Spacer 22.2mm |
| 1 | 5412ESS201612B | 0 | 5412ESS 20" x 16" x 12" Body |
| 2 | STK-Q-04051-07 | 8 | M6 x 7mm Stainless Steel Hexagon Socket Head Machine Screw with Nyseal |
| Qty | Part Number | Rev | Description |
| Parts List | | | |

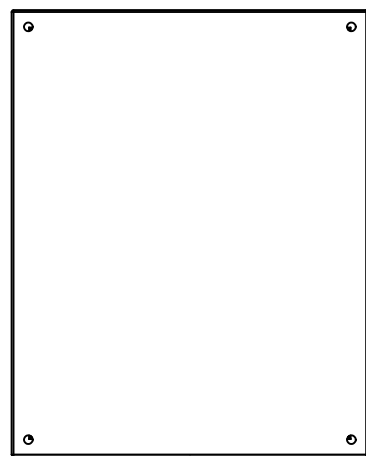
| PACKING | | |
|-----------------------|-----|--|
| ITEM | QTY | DESCRIPTION |
| Cardboard sleeve | 2 | Top and Bottom |
| Cardboard strip | 2 | Between back of enclosure and inner panel |
| Plastic bag | 1 | To protect cover surface and inside gasket |
| Plastic strap - Black | 2 | To Squeeze the 2 cardboard sleeve together |
| Packaging label | 1 | White label with product number |

This drawing is confidential and must not be reproduced or used without the consent of EXM

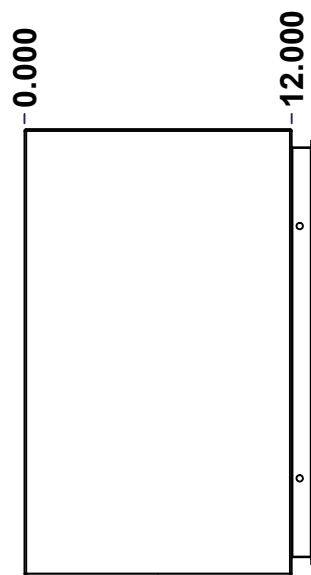
Ce dessin est confidentiel et ne doit pas être reproduit ou utilisé sans le consentement de EXM



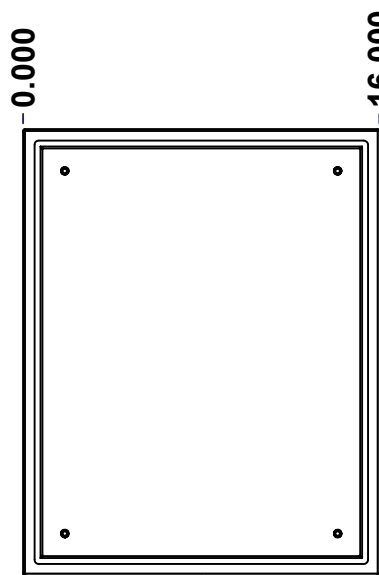
TOP



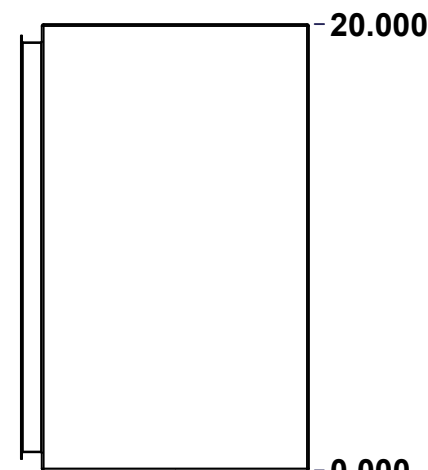
BACK



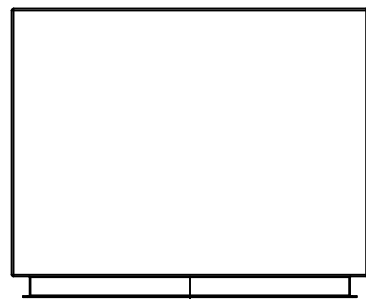
LEFT



FRONT

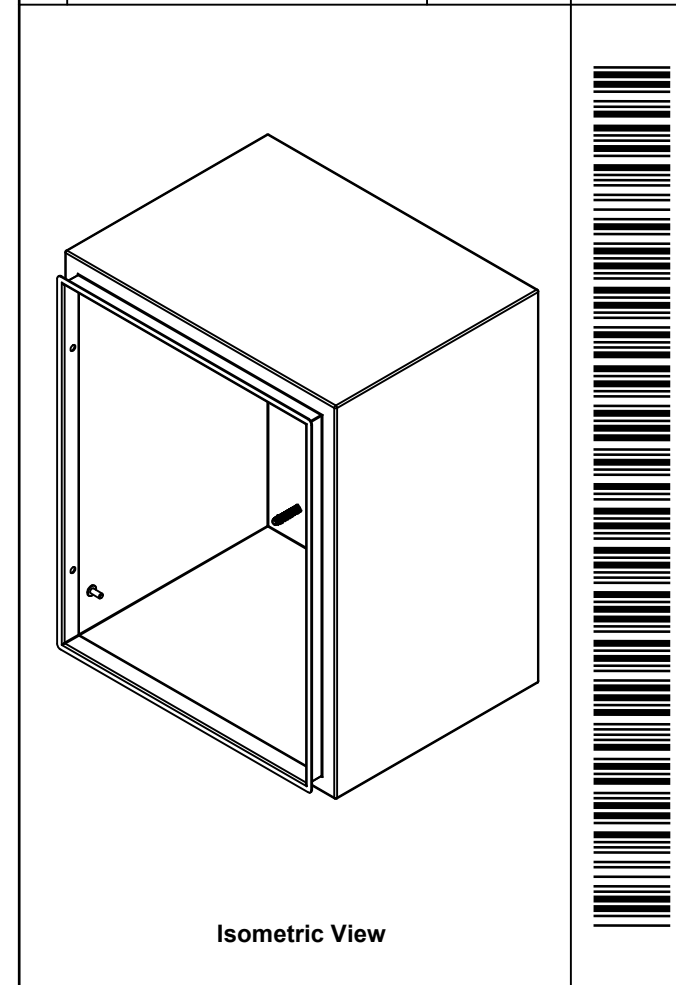


RIGHT




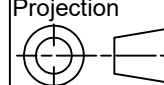
BOTTOM

| No. | Revisions | Date | By/Par |
|-----|-----------|------|--------|
| | | | |
| | | | |
| | | | |
| | | | |
| | | | |



Isometric View



| | | |
|--|-----------------------------------|---|
|  Tél: (450) 979-4373 Fax: (450) 979-4626 www.exmweb.com | | Flatness Aplatissement Max 3.0mm Projection  |
| Customer Client | Date | |
| Drawn By Dessiné Par | BoxCad: BoxCad | Date 11-Feb-14 |
| Material Matière | 16 Ga Stainless Steel 304 (1.4mm) | |
| Color Couleur | Unpainted | Finish Fini Brushed |
| Description 5412ESS 20" x 16" x 12" Body | | Detail Rev. |
| Part Number Numéro Pièce | Rev. 0 | 1 / 7 |

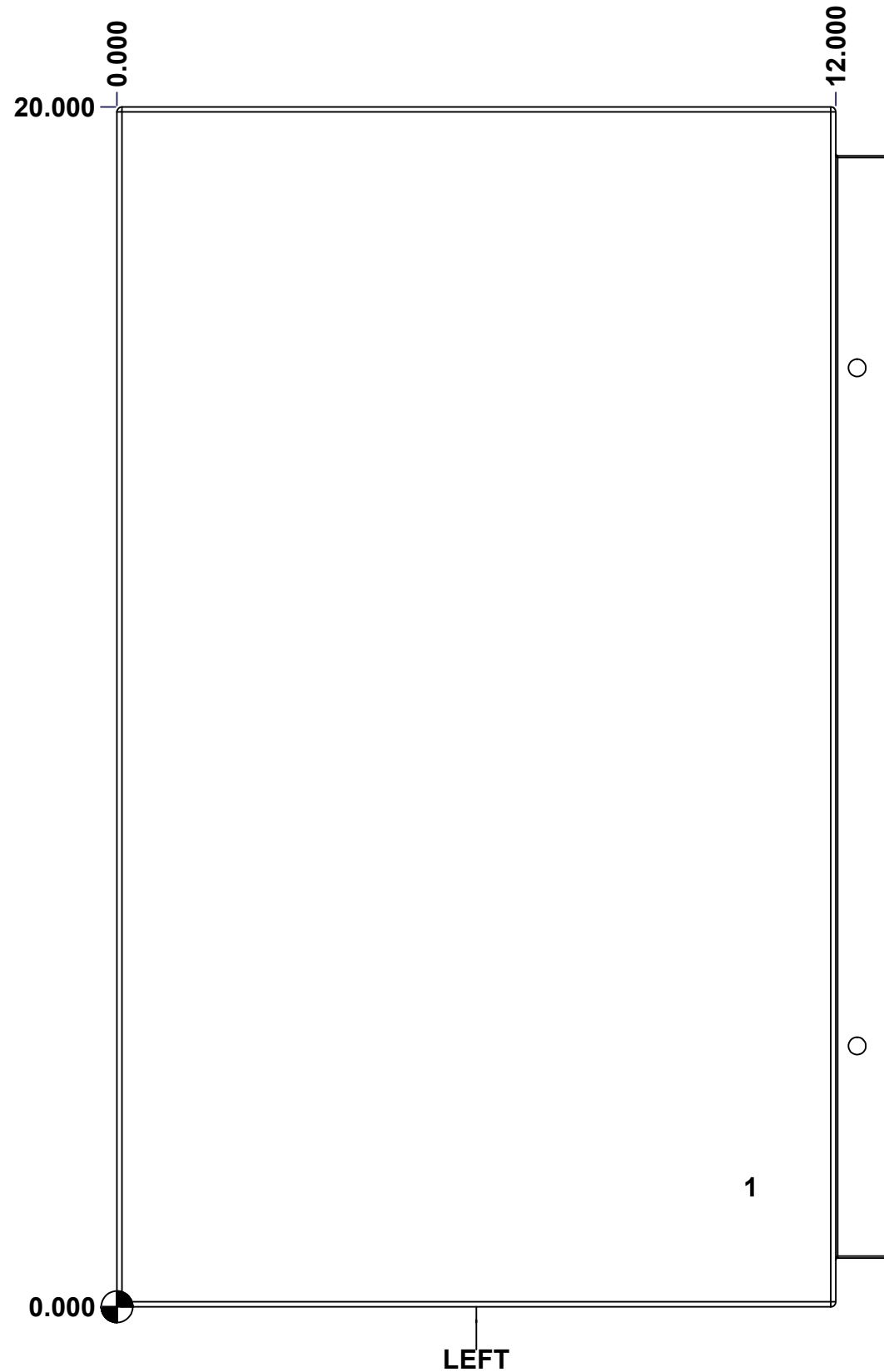
SEE BILL OF MATERIAL ON LAST PAGE

5412ESS201612B

This drawing is confidential and must not be reproduced or used without the consent of EXM

Ce dessin est confidentiel et ne doit pas être reproduit ou utilisé sans le consentement de EXM

| STANDARD FEATURES ARE NOT LISTED IN THIS HOLE TABLE | | | |
|--|--------|-------|-----------------------------|
| HOLE TABLE - LEFT VIEW (CUSTOM FEATURE ONLY) | | | |
| CUT-OUT | XDIM | YDIM | DESCRIPTION |
| 1 | 10.500 | 2.000 | GND STUD M6 x 16mm (Inside) |



| | | | |
|--|------------------------------|----------|---|
| | Description | Status | |
| | 5412ESS 20" x 16" x 12" Body | | |
| | Part Number Numéro Pièce | Rev. | 5 |
| | 5412ESS201612B | 0 | 7 |

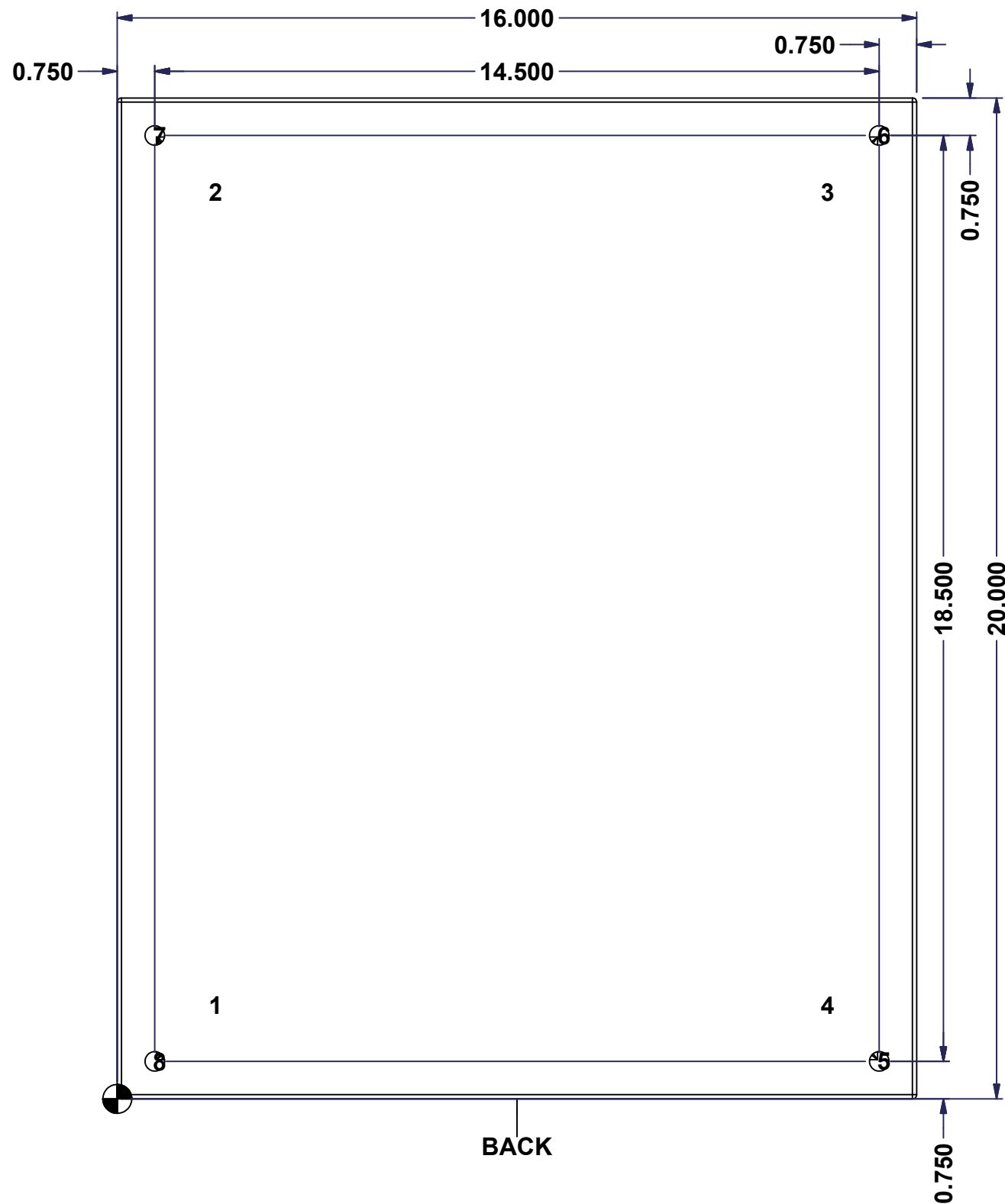
This drawing is confidential and must not be reproduced or used without the consent of EXM

Ce dessin est confidentiel et ne doit pas être reproduit ou utilisé sans le consentement de EXM

STANDARD FEATURES ARE NOT LISTED IN THIS HOLE TABLE

HOLE TABLE - BACK VIEW (CUSTOM FEATURE ONLY)

| CUT-OUT | XDIM | YDIM | DESCRIPTION |
|---------|--------|--------|----------------------------|
| 1 | 1.875 | 1.875 | IP STUD M8 x 35mm (Inside) |
| 2 | 1.875 | 18.125 | IP STUD M8 x 35mm (Inside) |
| 3 | 14.125 | 18.125 | IP STUD M8 x 35mm (Inside) |
| 4 | 14.125 | 1.875 | IP STUD M8 x 35mm (Inside) |
| ----- | | | |
| 5 | 15.250 | 0.750 | RND Ø0.390 |
| 6 | 15.250 | 19.250 | RND Ø0.390 |
| 7 | 0.750 | 19.250 | RND Ø0.390 |
| 8 | 0.750 | 0.750 | RND Ø0.390 |

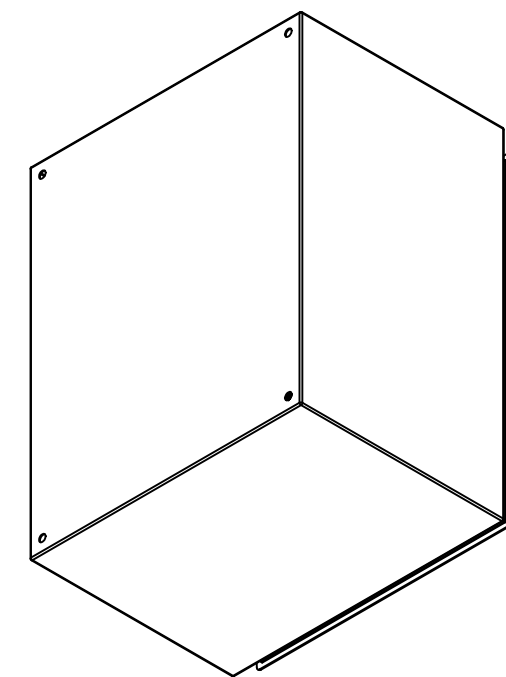


| | | |
|--|------------------------------|----------|
| | Description | Status |
| | 5412ESS 20" x 16" x 12" Body | |
| | Part Number Numéro Pièce | Rev. |
| | 5412ESS201612B | 0 |
| | | 6 / 7 |

This drawing is confidential and must not be reproduced or used without the consent of EXM


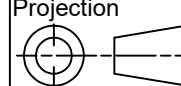
Ce dessin est confidentiel et ne doit pas être reproduit ou utilisé sans le consentement de EXM

| No. | Revisions | Date | By/Par |
|-----|-----------|------|--------|
| | | | |
| | | | |
| | | | |
| | | | |
| | | | |



Isometric View

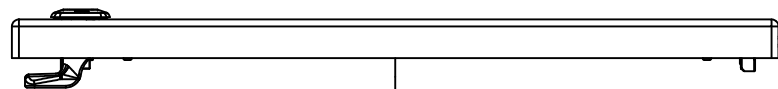


| | | |
|--|-----------------------------------|---|
|  Tél: (450) 979-4373 Fax: (450) 979-4626 www.exmweb.com | | Flatness Aplatissement Max 3.0mm Projection  |
| Customer Client | Date | |
| Drawn By Dessiné Par | BoxCad: BoxCad | Date 11-Feb-14 |
| Material Matière | 16 Ga Stainless Steel 304 (1.4mm) | |
| Color Couleur | Unpainted | Finish Fini Brushed |
| Description | Detail Rev. | |
| 5412ESS 20" x 16" x 12" Body | | |
| Part Number Numéro Pièce | Rev. | 7 |
| 5412ESS201612B | 0 | 7 |

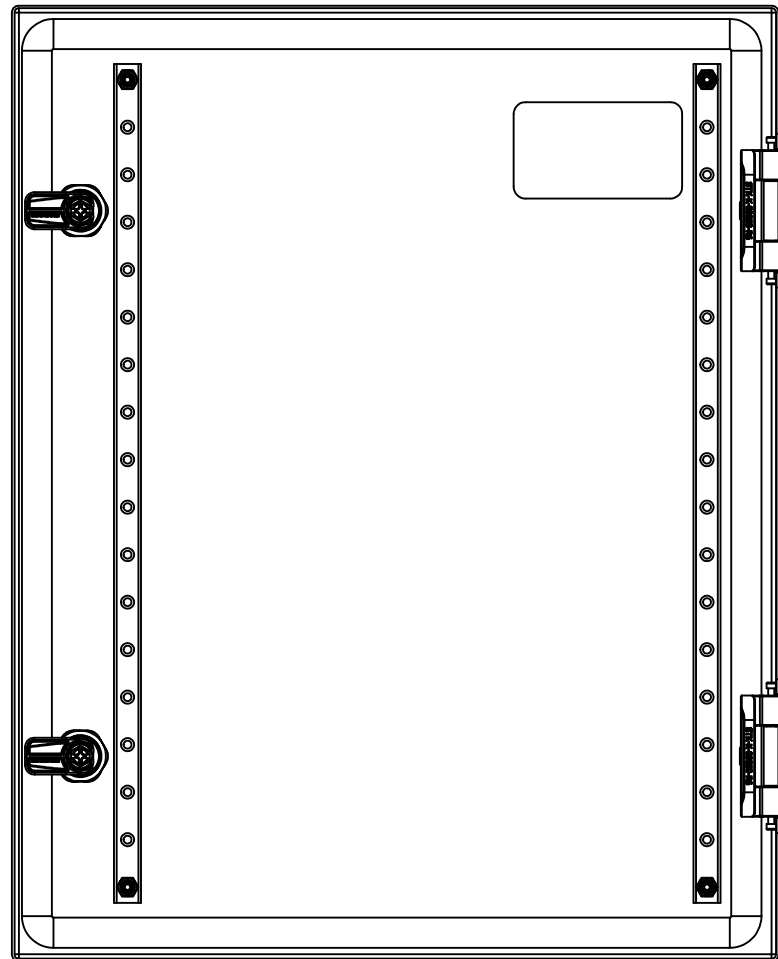
| Qty | Part Number | Rev | Description |
|------------|------------------|-----|---------------------------------------|
| 1 | STK-Q-16085 | 0 | Ground Stud M6 x 16mm Stainless Steel |
| 4 | STK-Q-16020 | 1 | Stud M8 x 35mm Stainless Steel |
| 1 | 5412ESS201612B-P | 0 | 5412ESS 20" x 16" x 12" Body Part |
| Parts List | | | |

This drawing is confidential and must not be reproduced or used without the consent of EXM

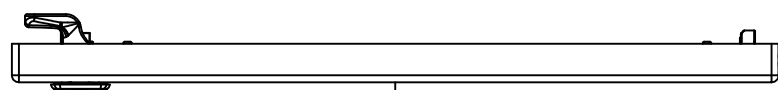
Ce dessin est confidentiel et ne doit pas être reproduit ou utilisé sans le consentement de EXM



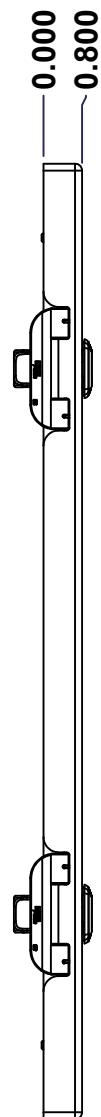
TOP



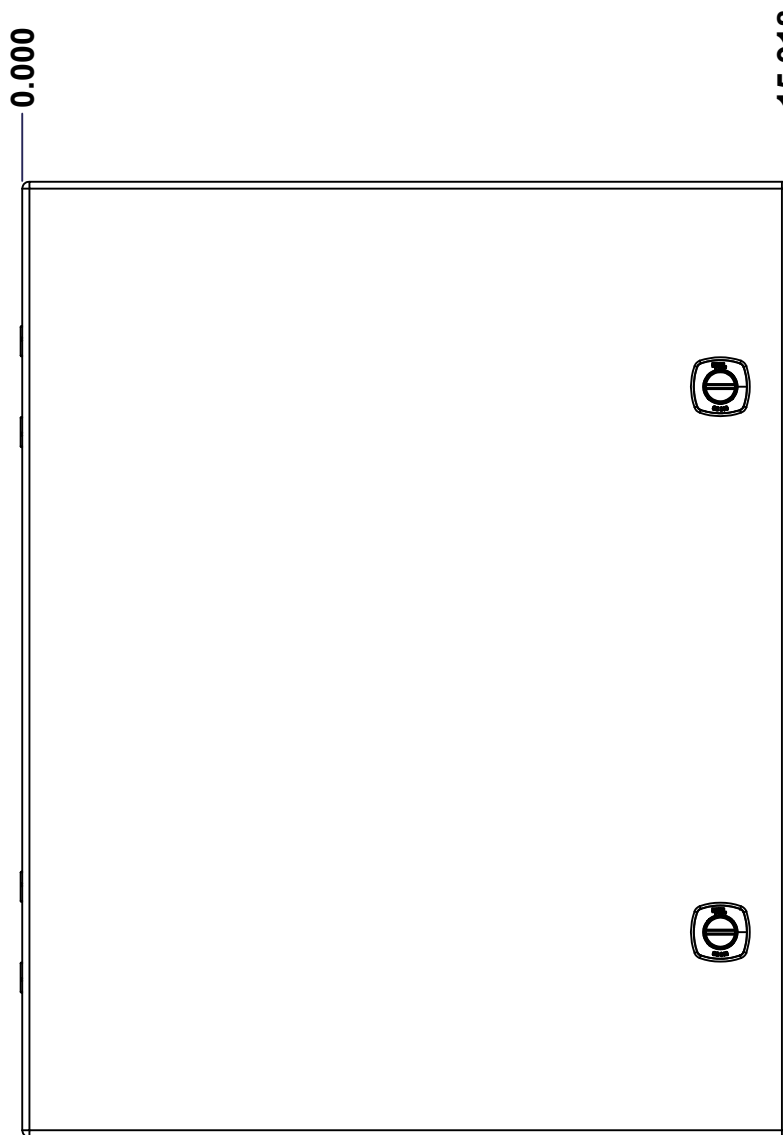
BACK



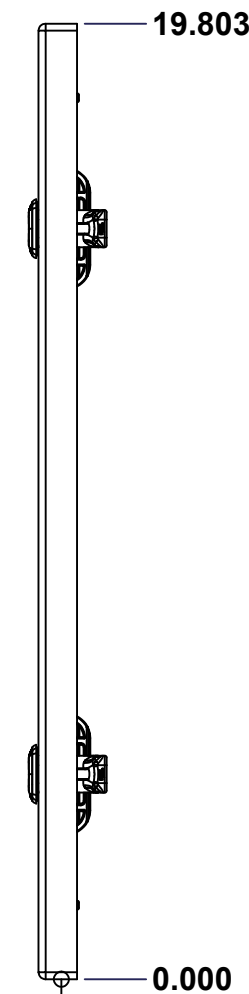
BOTTOM



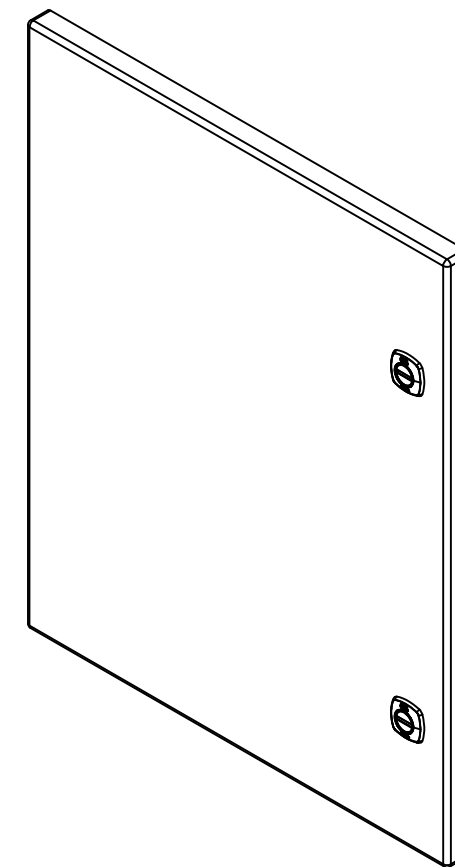
LEFT



FRONT



RIGHT



Isometric View



0.000
0.800


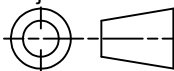
0.000

15.918

19.803

0.000

| No. | Revisions | Date | By/Par |
|-----|-----------|------|--------|
| | | | |
| | | | |
| | | | |
| | | | |
| | | | |

| | | |
|--|------------------------|---|
|  Tél: (450) 979-4373 Fax: (450) 979-4626 www.exmweb.com | | Flatness Aplatissement Max 3.0mm Projection  |
| Customer Client | Date | |
| Drawn By / Dessiné Par: BoxCad: BoxCad | Date: 11-Feb-14 | |
| Material / Matière: 16 Ga Stainless Steel 304 (1.4mm) | | |
| Color / Couleur: Unpainted | Finish / Fini: Brushed | |
| Description: 5412ESS 20" x 16" Cover | Detail Rev. | |
| Part Number / Numéro Pièce: 5412ESS201612C | Rev. 0 | 1 / 3 |

SEE BILL OF MATERIAL ON LAST PAGE

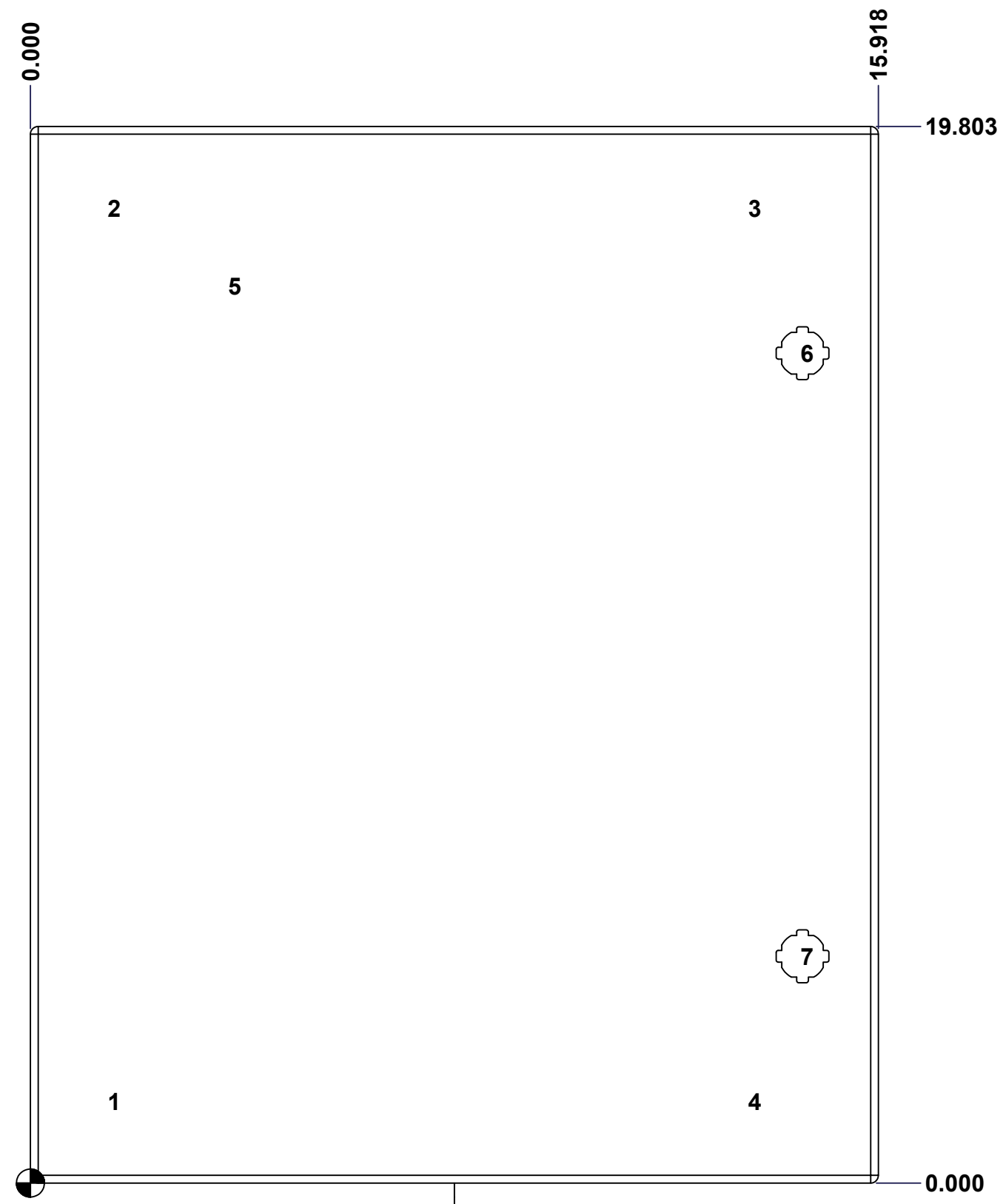
This drawing is confidential and must not be reproduced or used without the consent of EXM

Ce dessin est confidentiel et ne doit pas être reproduit ou utilisé sans le consentement de EXM

STANDARD FEATURES ARE NOT LISTED IN THIS HOLE TABLE

HOLE TABLE - FRONT VIEW (CUSTOM FEATURE ONLY)

| CUT-OUT | XDIM | YDIM | DESCRIPTION |
|---------|--------|--------|----------------------------|
| 1 | 1.486 | 1.535 | STUD M6 x 18mm (Inside) |
| 2 | 1.486 | 18.268 | STUD M6 x 18mm (Inside) |
| 3 | 13.517 | 18.268 | STUD M6 x 18mm (Inside) |
| 4 | 13.517 | 1.535 | STUD M6 x 18mm (Inside) |
| ----- | | | |
| 5 | 3.750 | 16.803 | LABEL_EXM (Inside) |
| 6 | 14.494 | 15.553 | LOCK 880 SCQ4-SLSS6 @ 0.0° |
| 7 | 14.494 | 4.250 | LOCK 880 SCQ4-SLSS6 @ 0.0° |



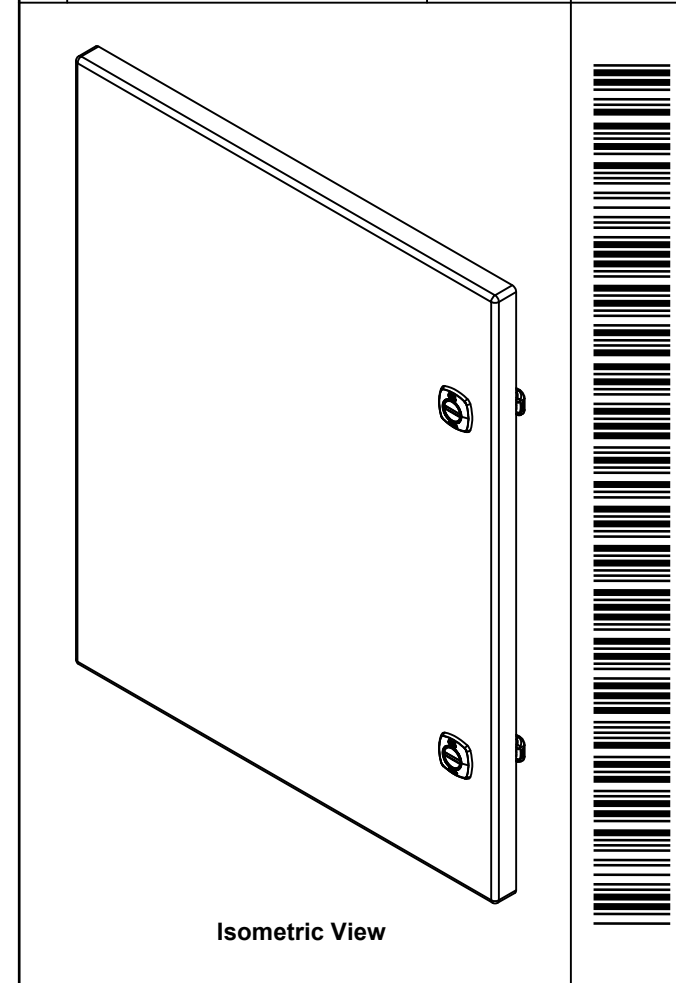
FRONT

| | | |
|--|-----------------------------|------------------|
| | Description | Status |
| | 5412ESS 20" x 16" Cover | (NULL) |
| | Part Number Numéro Pièce | Rev. |
| | 5412ESS201612C | 0 / 2 / 3 |

This drawing is confidential and must not be reproduced or used without the consent of EXM

Ce dessin est confidentiel et ne doit pas être reproduit ou utilisé sans le consentement de EXM

| No. | Revisions | Date | By/Par |
|-----|-----------|------|--------|
| | | | |
| | | | |
| | | | |
| | | | |
| | | | |




 Tél: (450) 979-4373
 Fax: (450) 979-4626
www.exmweb.com

Flatness
 Aplatissement
 Max 3.0mm
Projection


| | |
|-------------------------|------|
| Customer Client | Date |
| Drawn By Dessiné Par | Date |

| | |
|---------------------|-----------------------------------|
| Material Matière | 16 Ga Stainless Steel 304 (1.4mm) |
|---------------------|-----------------------------------|

| | | | |
|------------------|-----------|----------------|---------|
| Color Couleur | Unpainted | Finish Fini | Brushed |
|------------------|-----------|----------------|---------|

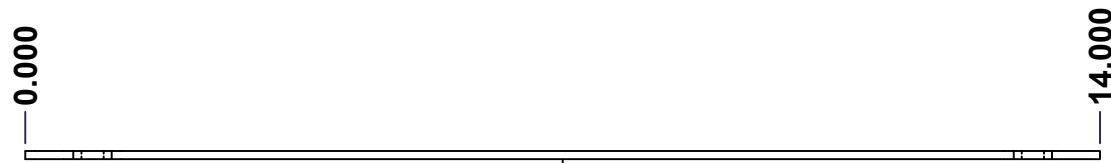
| | |
|-------------------------|-------------|
| Description | Detail Rev. |
| 5412ESS 20" x 16" Cover | |

| | | |
|-----------------------------|----------|----------|
| Part Number Numéro Pièce | Rev. | 3 |
| 5412ESS201612C | 0 | 3 |

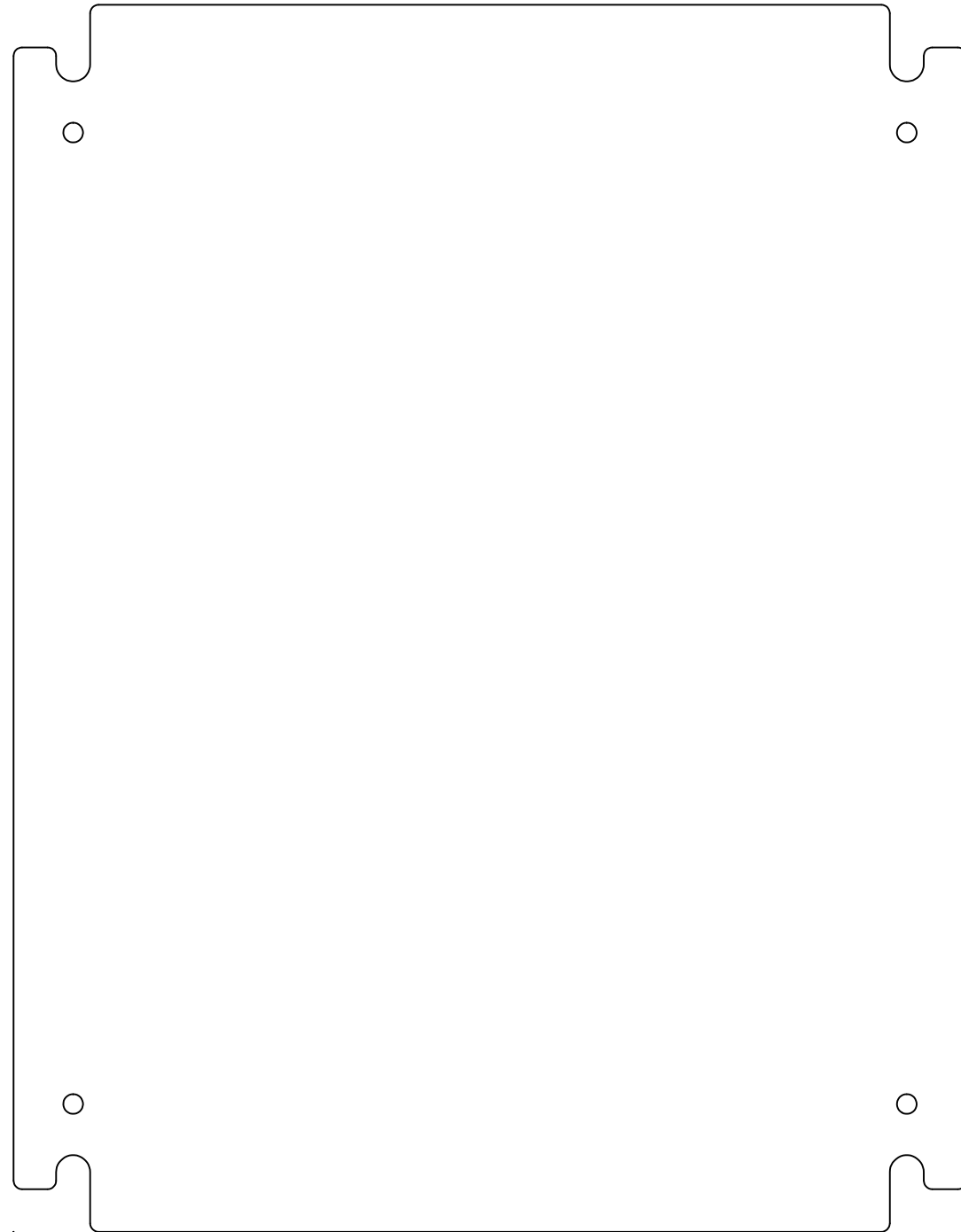
| Qty | Part Name | Rev | Description |
|------------|------------------|-----|--|
| 1 | STK-S-00100 | 0 | 3.5" x 2" Silver Milar Flexcon Sticker |
| 2 | STK-Q-46020-20 | 5 | 5412 ES Vertical Door Stiffener 20" |
| 4 | STK-Q-16070 | 1 | Stud M6 x 18mm Stainless steel |
| 1 | 5412ESS201612G | 0 | 5412ESS 20" x 16" Cover Gasket Part |
| 1 | 5412ESS201612C-P | 0 | 5412ESS 20" x 16" Cover Part |
| 2 | STK-K-09850 | 6 | 5412 ESS Hinge with 2 Captive Hinge Pins |
| 2 | 880 SCQ4-SLSS6 | 7 | 5412 ESS 1/4 Turn Lock |
| 4 | STK-Q-07220 | 1 | M6 Nylon Insert Lock Nut |
| Qty | Part Name | Rev | Description |
| Parts List | | | |

This drawing is confidential and must not be reproduced or used without the consent of EXM

Ce dessin est confidentiel et ne doit pas être reproduit ou utilisé sans le consentement de EXM



TOP



FRONT

18.000

0.000

RIGHT

| No. | Revisions | Date | By/Par |
|-----|-----------|------|--------|
| | | | |
| | | | |
| | | | |
| | | | |

Isometric View

| | | | |
|--|--|--|----------------------|
| | | Flatness Aplatissement Max 3.0mm Projection | |
| Tél: (450) 979-4373 Fax: (450) 979-4626 www.exmweb.com | | Customer Client Date | |
| Drawn By Dessiné Par BoxCad | | Date 1/23/2007 | |
| Material Matière See Part List | | | |
| Color Couleur See Part List | | Finish Fini See Part List | |
| Description 881 SP - Inner Panel | | | Detail Rev. |
| Part Number Numéro Pièce 881 SP2016G | | | Rev. 1 0 2 |

| Qty | Part Number | Rev | Description | Material | Color | Finish |
|-----|---------------|-----|---------------------------|------------------|-----------|------------|
| 1 | 881 SP2016G-P | 0 | 881 SP - Inner Panel Part | 12 Ga Galvanized | Unpainted | Galvanized |

Parts List

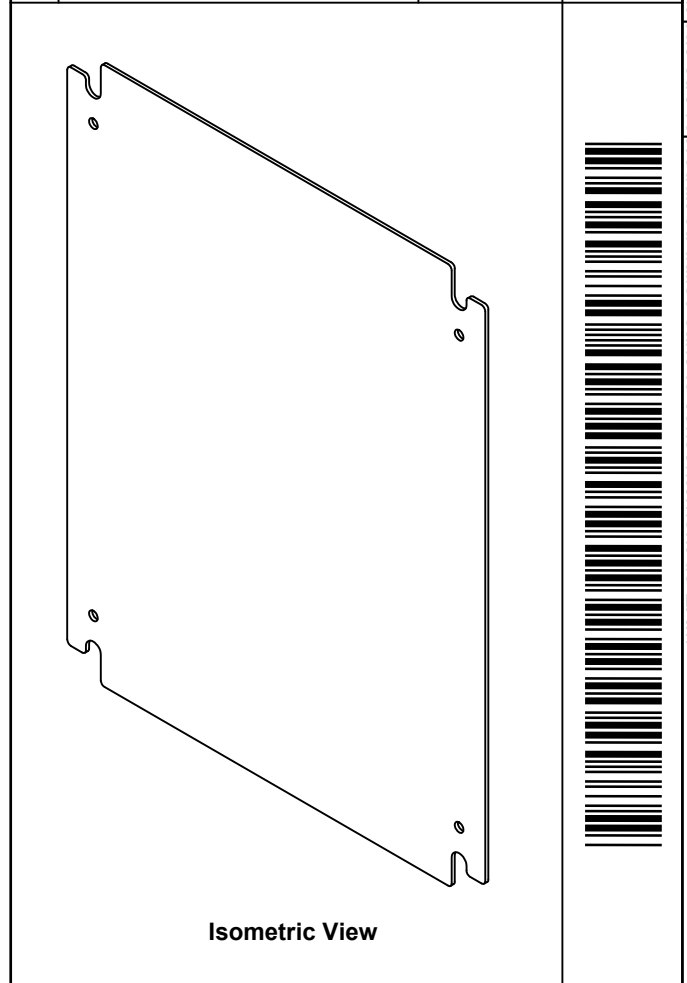
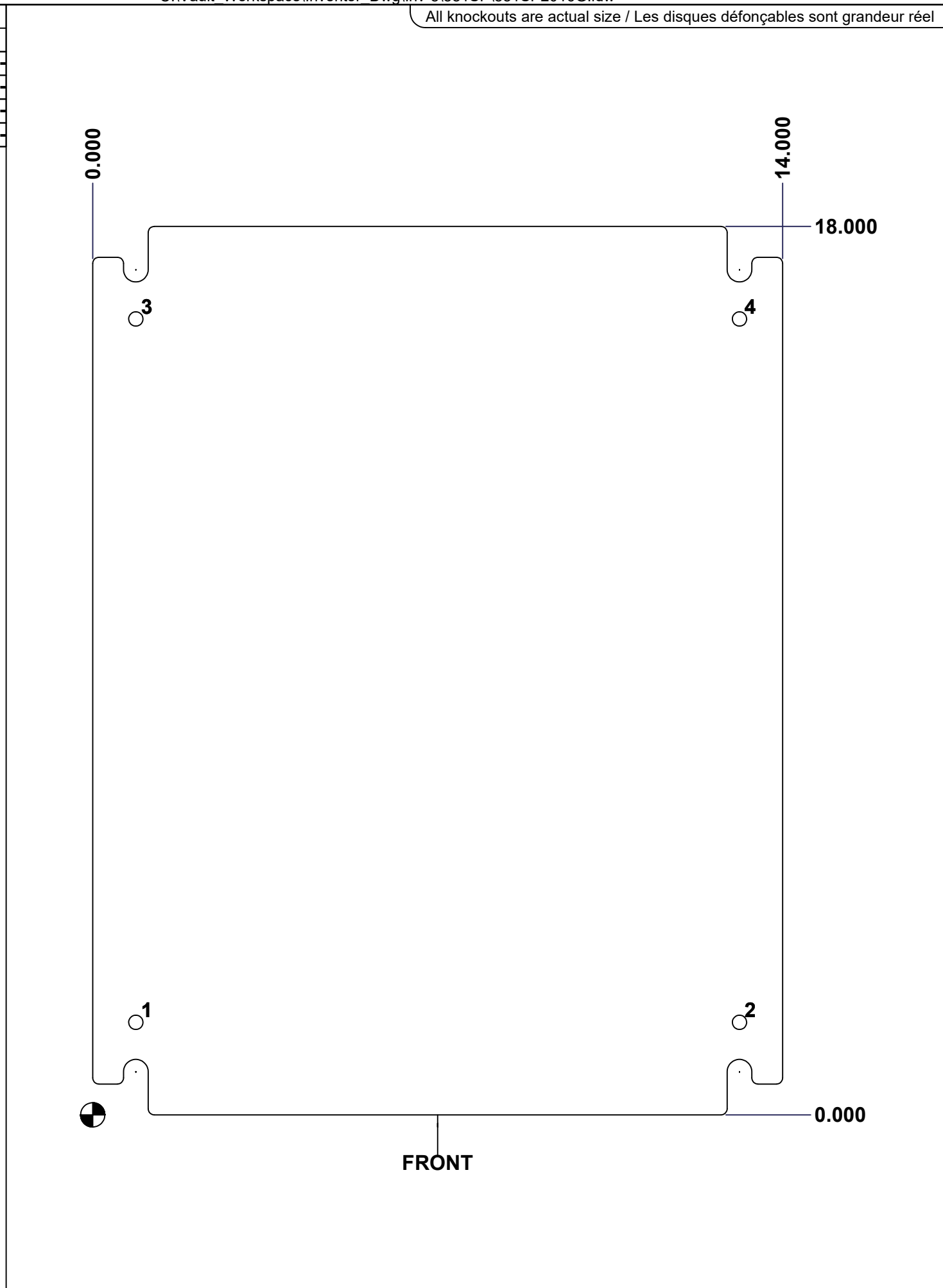
This drawing is confidential and must not be reproduced or used without the consent of EXM


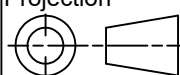
Ce dessin est confidentiel et ne doit pas être reproduit ou utilisé sans le consentement de EXM

| Table 1 | | | FRONT VIEW |
|---------|--------|--------|--------------------------|
| CUT-OUT | XDIM | YDIM | DESCRIPTION |
| 1 | 0.875 | 1.875 | GROUND HOLE (RND Ø0.290) |
| 2 | 13.125 | 1.875 | GROUND HOLE (RND Ø0.290) |
| 3 | 0.875 | 16.125 | GROUND HOLE (RND Ø0.290) |
| 4 | 13.125 | 16.125 | GROUND HOLE (RND Ø0.290) |

All knockouts are actual size / Les disques défonçables sont grandeur réel

| No. | Revisions | Date | By/Par |
|-----|-----------|------|--------|
| | | | |
| | | | |
| | | | |
| | | | |
| | | | |
| | | | |
| | | | |



| | |
|--|---|
|  Tél: (450) 979-4373 Fax: (450) 979-4626 www.exmweb.com | Flatness Aplatissement Max 3.0mm |
| | Projection  |
| Customer Client | Date |
| Drawn By Dessiné Par BoxCad | Date 1/23/2007 |
| Material Matière | See Part List |
| Color Couleur | See Part List |
| Finish Fini | See Part List |
| Description 881 SP - Inner Panel | Detail Rev. |
| Part Number Numéro Pièce 881 SP2016G | Rev. 0 |



2
2