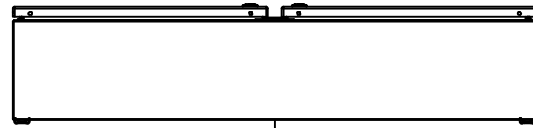
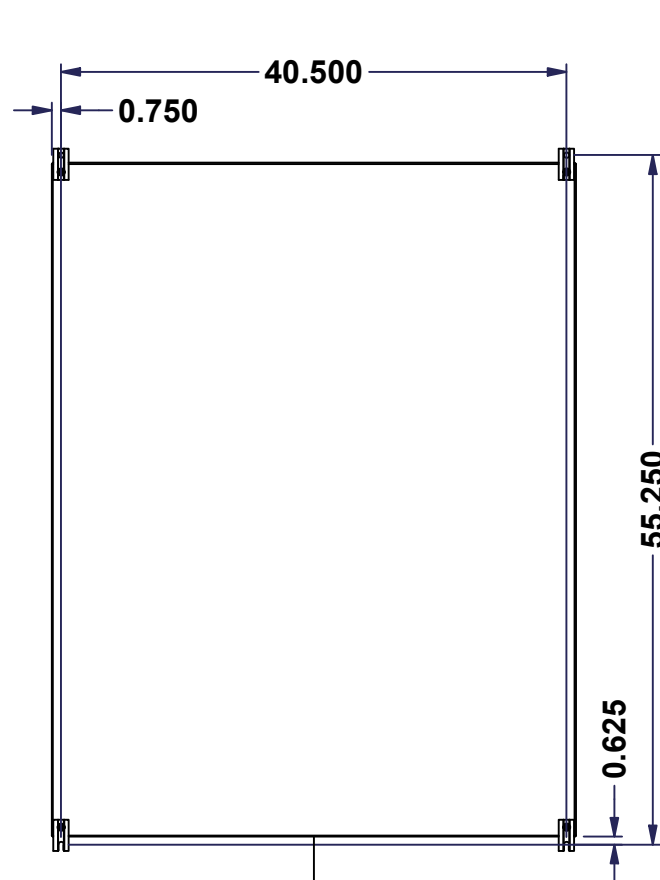


This drawing is confidential and must not be reproduced or used without the consent of EXM

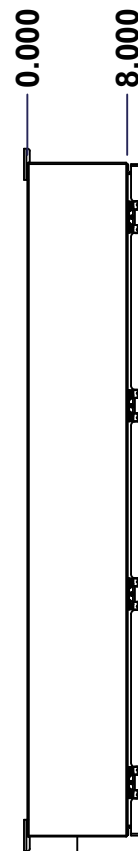
Ce dessin est confidentiel et ne doit pas être reproduit ou utilisé sans le consentement de EXM



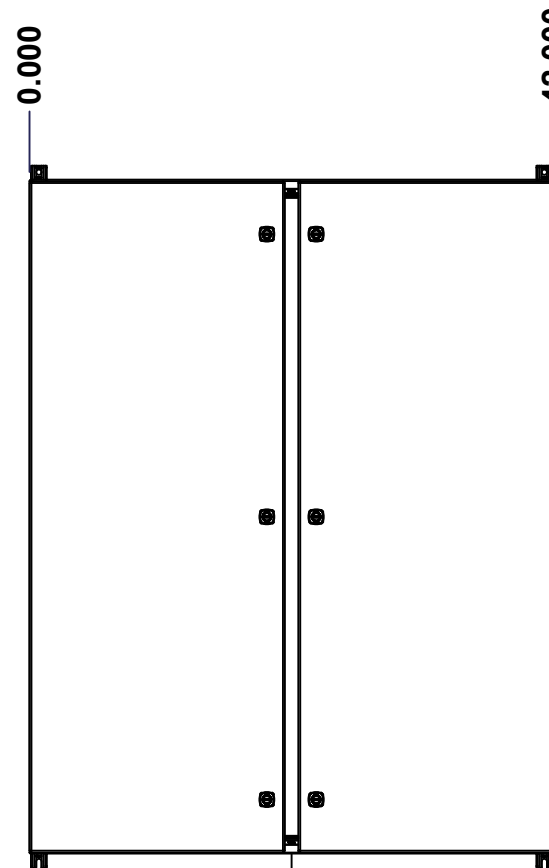
TOP



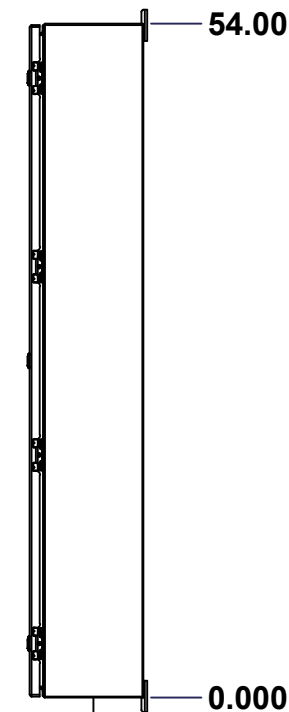
BACK



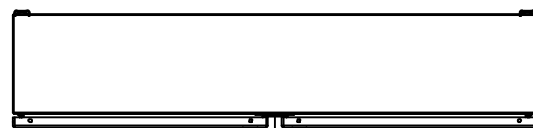
LEFT



FRONT

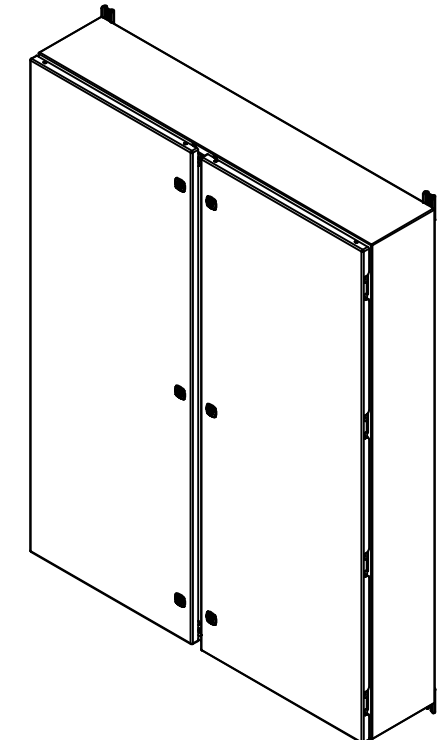


RIGHT




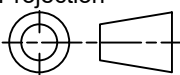
BOTTOM

No.	Revisions	Date	By/Par



Isometric View



 Tél: (450) 979-4373 Fax: (450) 979-4626 <a href="http://www.exmweb.com">www.exmweb.com</a>	Flatness Aplatissement Max 3.0mm
	Projection 
Customer Client	Date
Drawn By Dessiné Par BoxCad: BoxCad	Date 21-Jan-25
Material Matière 14 Ga Stainless Steel 304 (1.7mm)	
Color Couleur Asa-61 Grey	Finish Fini Smooth
Description 5412ESSDD 54" x 42" x 8" Assembly	
Part Number Numéro Pièce 5412ESSDD544208PTH	Detail Rev. Rev. 1 0

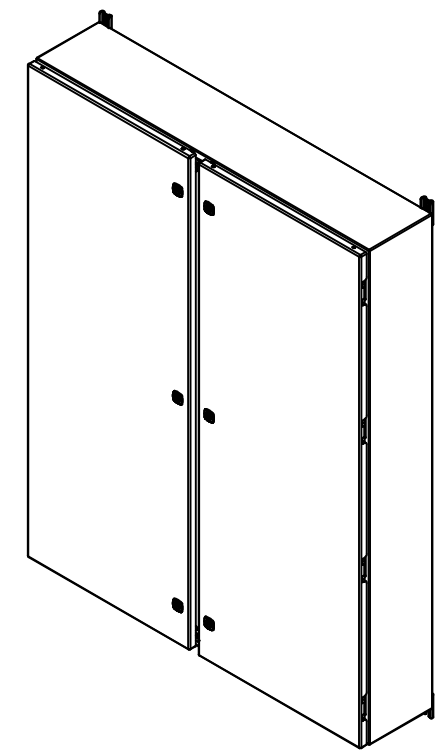
SEE BILL OF MATERIAL ON LAST PAGE

This drawing is confidential and must not be reproduced or used without the consent of EXM

Ce dessin est confidentiel et ne doit pas être reproduit ou utilisé sans le consentement de EXM

NOTE	
ITEM	DESCRIPTION
1	NEMA 4X Enclosure (IP66)
2	C/W Standard ground studs on box and cover
3	C/W Standard door stiffener
4	C/W Standard inner panel (Included)
5	C/W Standard inner panel mounting studs
6	C/W 885 ESMF4_OPEN Sold separately (Installed)
7	C/W 885 ESMF4_CLOSE Sold separately (Installed)
8	C/W R5 Insulation (Installed aluminum visible)

No.	Revisions	Date	By/Par




Isometric View



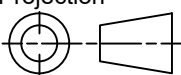
PACKING		
ITEM	QTY	DESCRIPTION
Cardboard sleeve	2	Top and Bottom
Cardboard strip	2	Between back of enclosure and inner panel
Plastic bag	1	To protect cover surface and inside gasket
Cardboard corner	4	To reinforced for the plastic strap tightening
Plastic strap - Black	2	To Squeeze 2 cardboard sleeve together
Packaging label	3	White label with PN
Plastic strap- Green	2	To secure the enclosure to the wood pallet
Wood Pallet	1	2" deeper and 3" larger than enclosure size

8	STK-Q-00600	2	M12 to M8 Adaptor
1	881 SP5442G	0	881 SP - Inner Panel
1	STK-K-01800	5	5412 ES Accessory Kit
1	5412ESSDD544208PTH D	0	5412ESSDD 54" x 42" Cover
1	5412ESSDD544208PTH L	0	5412ESSDD 54" x 42" Cover
1	5412ESSDD544208PTH B	0	5412ESSDD 54" x 42" x 8" Body
8	STK-Q-04051-08	1	M6 x 8mm Stainless Steel Hexagon Socket Head Machine Screw with Nyseal
Qty	Part Number	Rev	Description
Parts List			



Tél: (450) 979-4373  
Fax: (450) 979-4626  
[www.exmweb.com](http://www.exmweb.com)

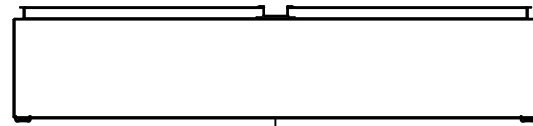
Flatness  
Aplatissement  
Max 3.0mm

Projection  


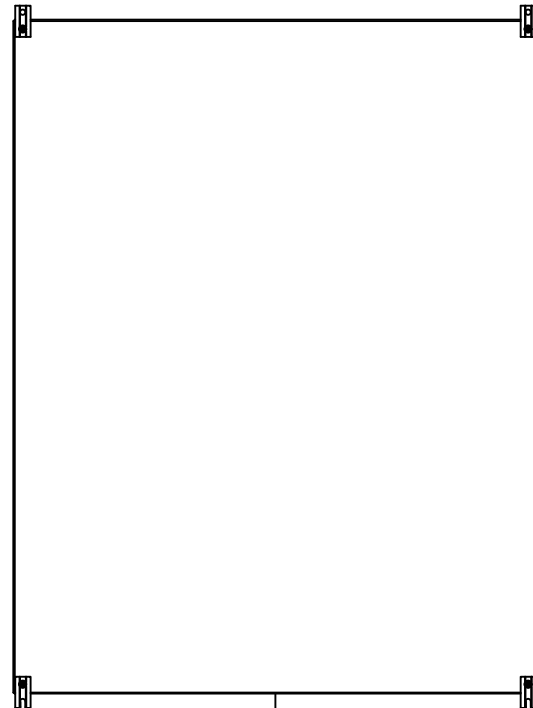
Customer Client		Date
Drawn By Dessiné Par	BoxCad: BoxCad	Date 21-Jan-25
Material Matière 14 Ga Stainless Steel 304 (1.7mm)		
Color Couleur	Asa-61 Grey	Finish Fini Smooth
Description 5412ESSDD 54" x 42" x 8" Assembly		Detail Rev.
Part Number Numéro Pièce <b>5412ESSDD544208PTH</b>		Rev. <b>0</b>

This drawing is confidential and must not be reproduced or used without the consent of EXM

Ce dessin est confidentiel et ne doit pas être reproduit ou utilisé sans le consentement de EXM



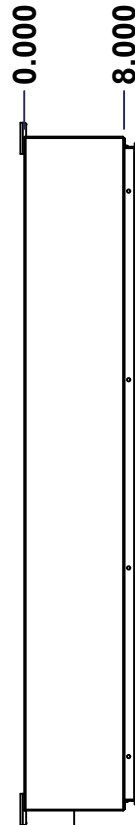
TOP



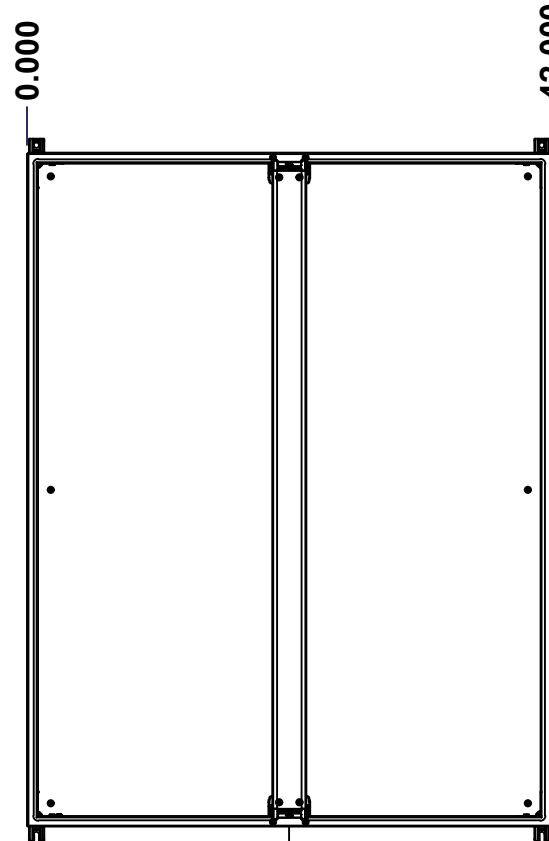
BACK



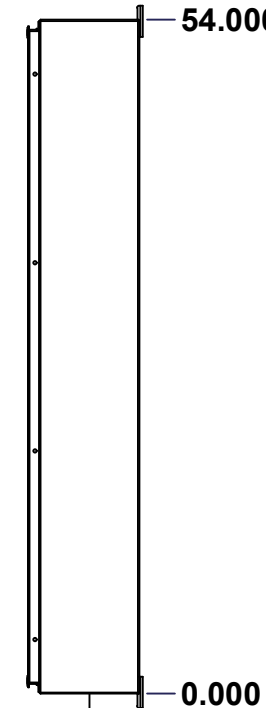
BOTTOM



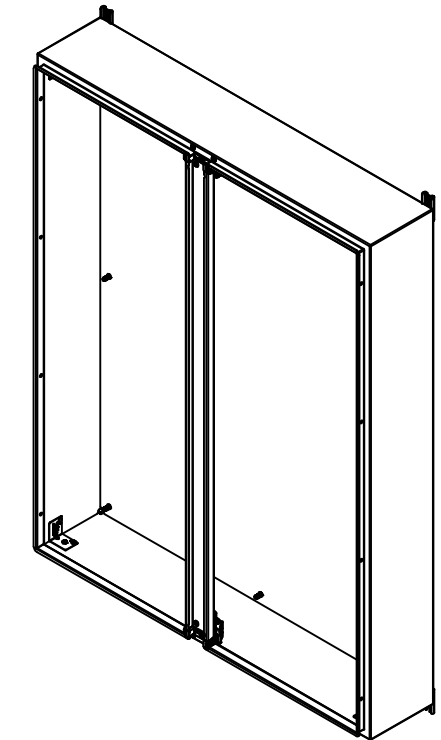
LEFT



FRONT




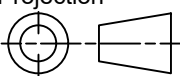
RIGHT



Isometric View



No.	Revisions	Date	By/Par

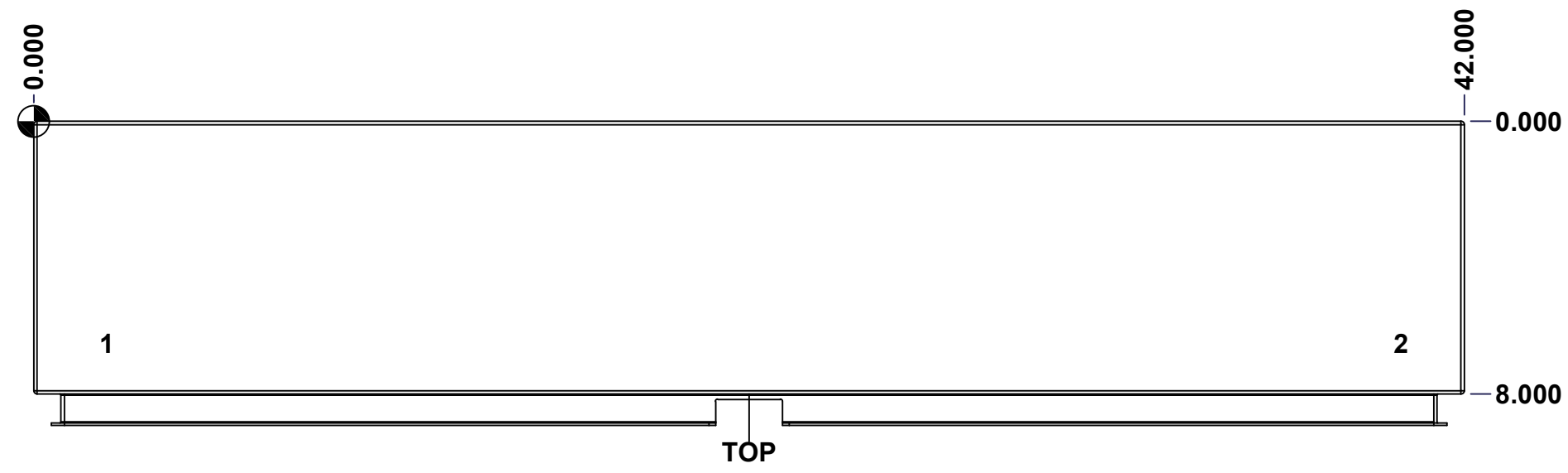
 Tél: (450) 979-4373 Fax: (450) 979-4626 <a href="http://www.exmweb.com">www.exmweb.com</a>		Flatness Aplatissement Max 3.0mm Projection 
Customer Client	Date	
Drawn By Dessiné Par	BoxCad: BoxCad	Date 21-Jan-25
Material Matière	14 Ga Stainless Steel 304 (1.7mm)	
Color Couleur	Asa-61 Grey	Finish Fini Smooth
Description	Detail Rev.	
5412ESSDD 54" x 42" x 8" Body		
Part Number Numéro Pièce	Rev. 0	3 / 20

SEE BILL OF MATERIAL ON LAST PAGE **5412ESSDD544208PTHB**

This drawing is confidential and must not be reproduced or used without the consent of EXM

Ce dessin est confidentiel et ne doit pas être reproduit ou utilisé sans le consentement de EXM

STANDARD FEATURES ARE NOT LISTED IN THIS HOLE TABLE			
HOLE TABLE - TOP VIEW (CUSTOM FEATURE ONLY)			
CUT-OUT	XDIM	YDIM	DESCRIPTION
1	2.000	6.500	INSUL. STUD M6 x 18mm (Inside)
2	40.000	6.500	INSUL. STUD M6 x 18mm (Inside)

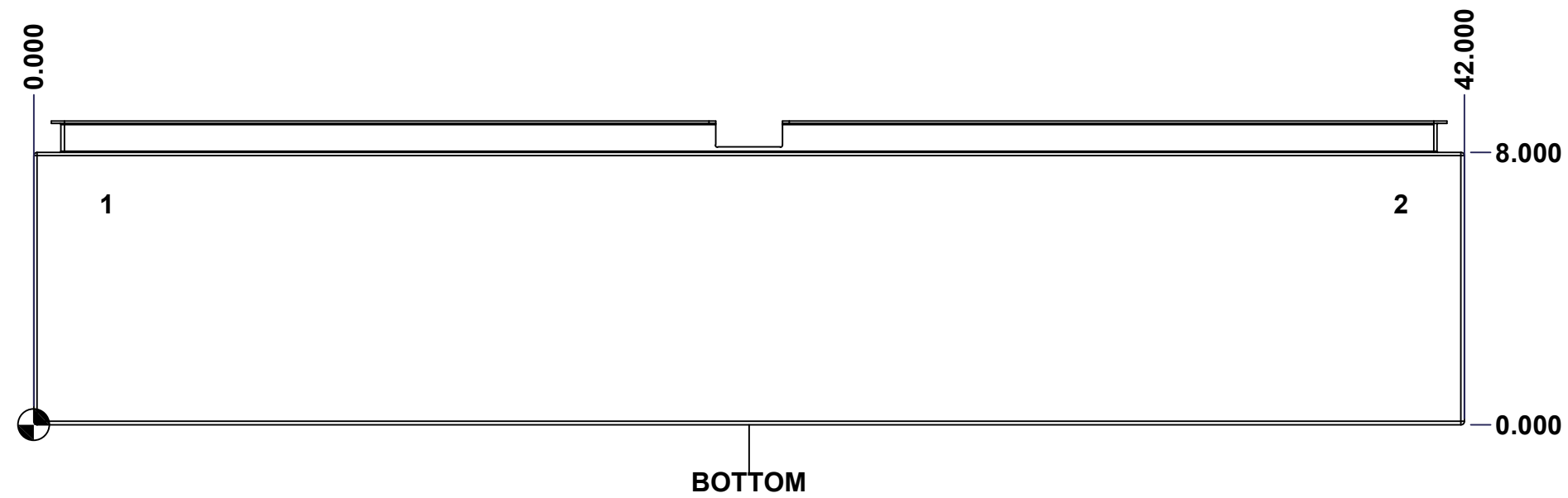


	Description	Status
	5412ESSDD 54" x 42" x 8" Body	(NULL)
	Part Number Numéro Pièce	Rev.
	<b>5412ESSDD544208PTHB</b>	<b>0</b>
		4
		20

This drawing is confidential and must not be reproduced or used without the consent of EXM

Ce dessin est confidentiel et ne doit pas être reproduit ou utilisé sans le consentement de EXM

<b>STANDARD FEATURES ARE NOT LISTED IN THIS HOLE TABLE</b>			
<b>HOLE TABLE - BOTTOM VIEW (CUSTOM FEATURE ONLY)</b>			
CUT-OUT	XDIM	YDIM	DESCRIPTION
1	2.000	6.500	INSUL. STUD M6 x 18mm (Inside)
2	40.000	6.500	INSUL. STUD M6 x 18mm (Inside)



	Description	Status
	5412ESSDD 54" x 42" x 8" Body	(NULL)
	Part Number Numéro Pièce	Rev.
	<b>5412ESSDD544208PTHB</b>	<b>0</b>
		5
		20

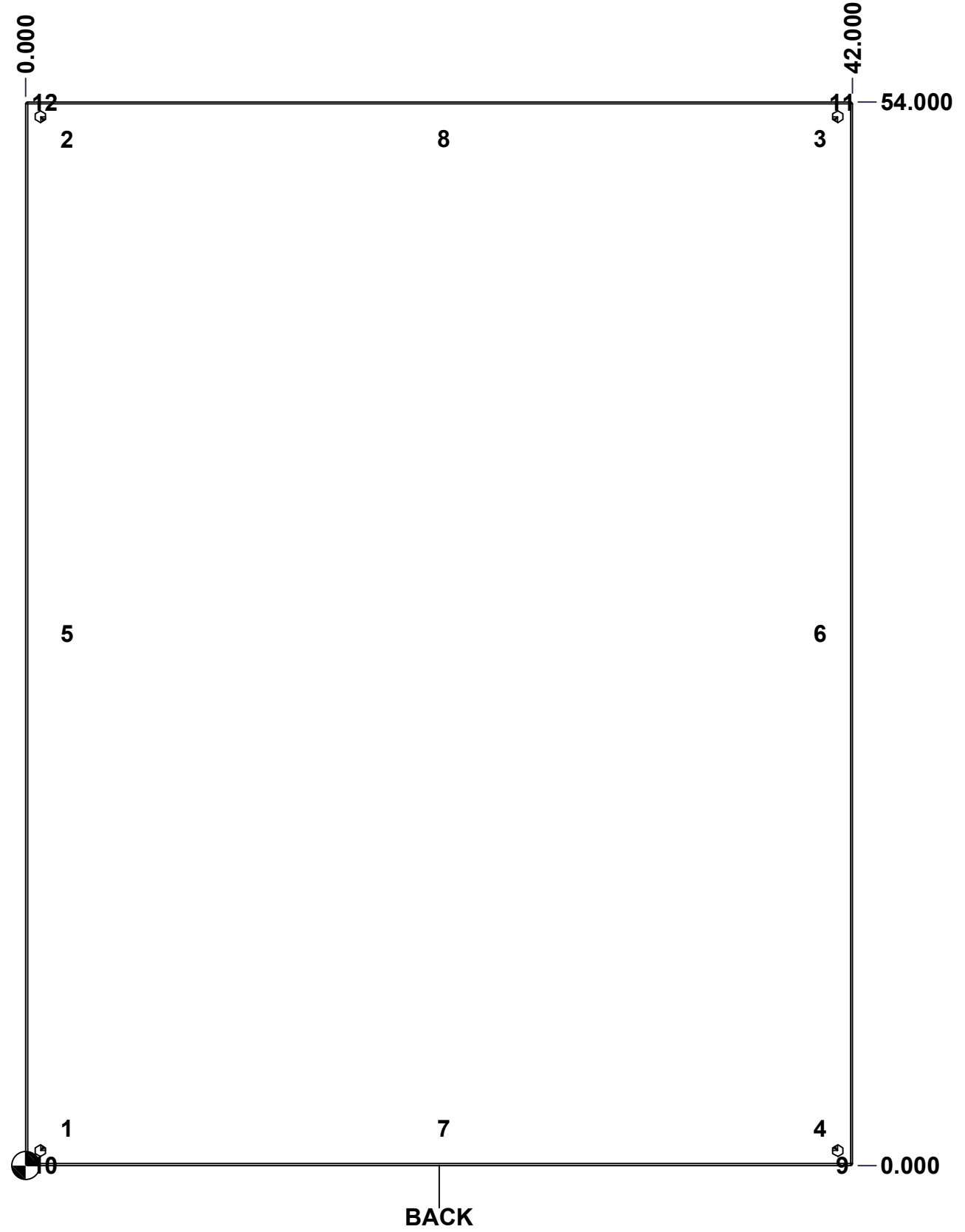
This drawing is confidential and must not be reproduced or used without the consent of EXM

Ce dessin est confidentiel et ne doit pas être reproduit ou utilisé sans le consentement de EXM

**STANDARD FEATURES ARE NOT LISTED IN THIS HOLE TABLE**

**HOLE TABLE - BACK VIEW (CUSTOM FEATURE ONLY)**

CUT-OUT	XDIM	YDIM	DESCRIPTION
1	1.875	1.875	IP STUD M8 x 35mm (Inside)
2	1.875	52.125	IP STUD M8 x 35mm (Inside)
3	40.125	52.125	IP STUD M8 x 35mm (Inside)
4	40.125	1.875	IP STUD M8 x 35mm (Inside)
5	1.875	27.000	IP STUD M8 x 35mm (Inside)
6	40.125	27.000	IP STUD M8 x 35mm (Inside)
7	21.000	1.875	IP STUD M8 x 35mm (Inside)
8	21.000	52.125	IP STUD M8 x 35mm (Inside)
-----			
9	41.250	0.000	FOOT 885 ESMF4_OPEN
10	0.750	0.000	FOOT 885 ESMF4_OPEN
11	41.250	54.000	FOOT 885 ESMF4_CLOSE
12	0.750	54.000	FOOT 885 ESMF4_CLOSE

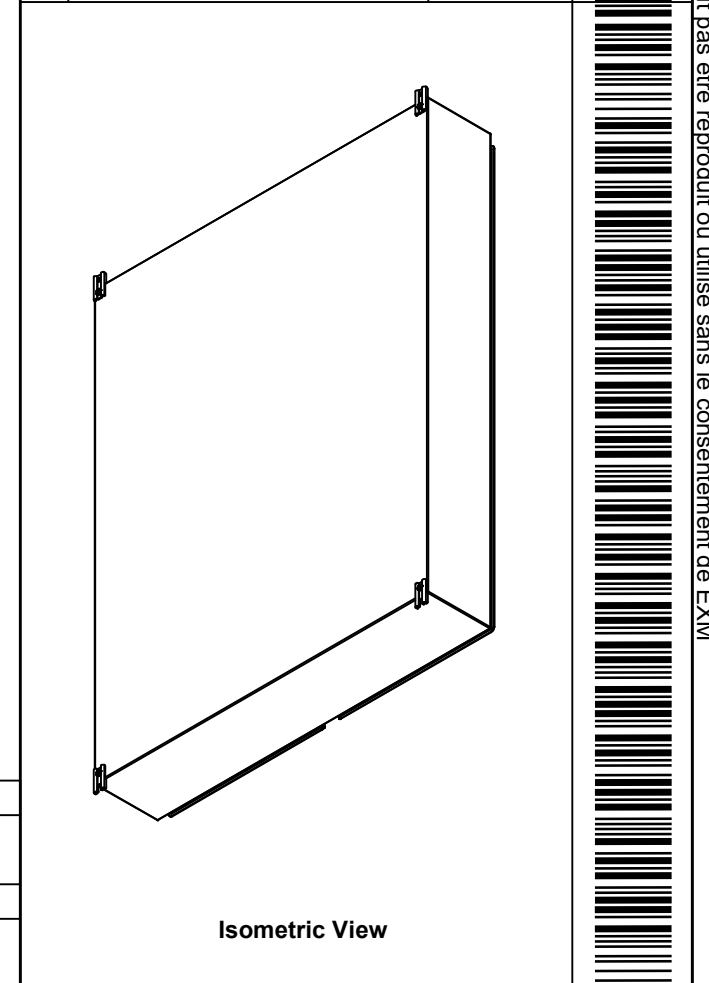


	Description	Status
	5412ESSDD 54" x 42" x 8" Body	(NULL)
Part Number Numéro Pièce <b>5412ESSDD544208PTHB</b>	Rev.	6
	<b>0</b>	20

This drawing is confidential and must not be reproduced or used without the consent of EXM


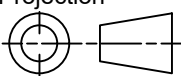
Ce dessin est confidentiel et ne doit pas être reproduit ou utilisé sans le consentement de EXM

No.	Revisions	Date	By/Par



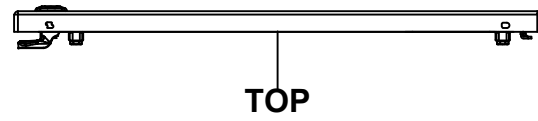
1	885 ESMF4	0	885 ESMF4 Mounting Foot Kit
4	RIVET_NUT_SS_M10_FH_CE	0	Stainless Steel Rivet Nut M10 (Low Profile Close End)
1	STK-K-70554	3	5412 ESTH Accessory Kit
1	5412ESSDD544208PTH-RS	0	5412ESSDD 54" x 42" Right Insulation
1	5412ESSDD544208PTH-LS	0	5412ESSDD 54" x 42" Left Insulation
1	5412ESSDD544208PTH-BT	0	5412ESSDD 54" x 42"Bottom Insulation
1	5412ESSDD544208PTH-TP	0	5412ESSDD 54" x 42"Top Insulation
1	5412ESSDD544208PTH-B	0	5412ESSDD 54" x 42" Back Insulation
4	STK-Q-16070	1	Stud M6 x 18mm Stainless steel
1	STK-P-02400S	0	Powder Paint (Asa-61 Grey / Smooth)
8	STK-Q-16020	1	Stud M8 x 35mm Stainless Steel
1	STK-A-75455	2	Center Post - Stainless Steel Sealing Block with Latch Assembly (Small)
1	5412ESSDD544208PTHCP-P	0	5412ESSDD 54" Center Post Part
1	5412ESSDD544208PTHBP	0	5412ESSDD 54" x 42" x 8" Body Part

Qty	Part Number	Rev	Description
Parts List			

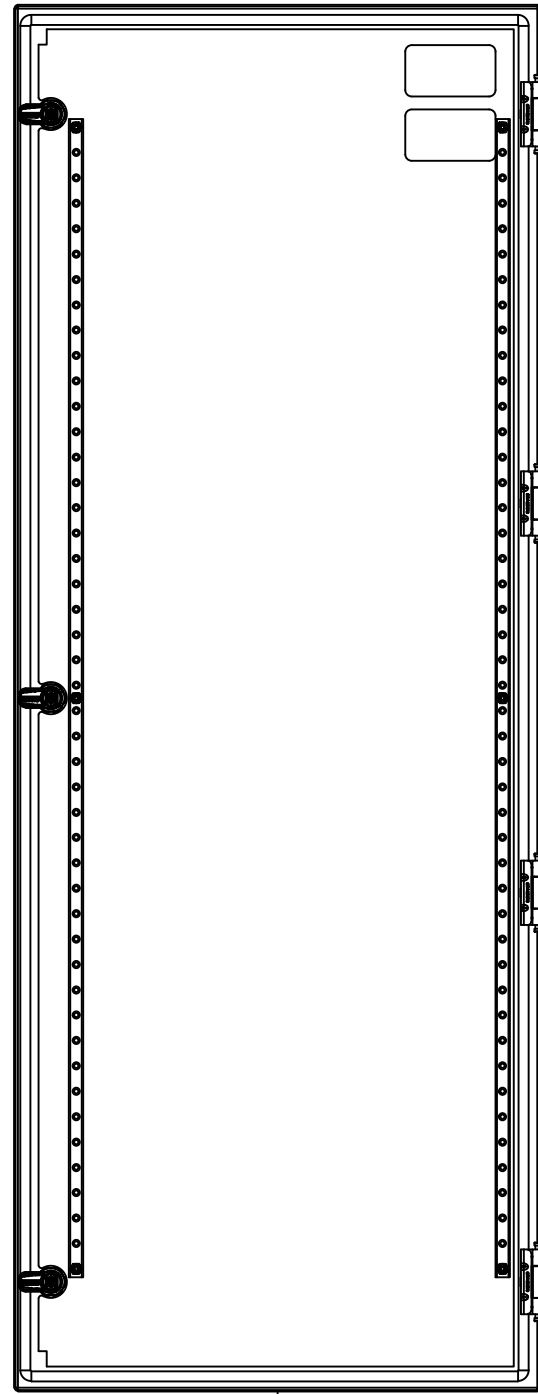
 Tél: (450) 979-4373 Fax: (450) 979-4626 <a href="http://www.exmweb.com">www.exmweb.com</a>		Flatness Aplatissement Max 3.0mm Projection 
Customer Client	Date	
Drawn By Dessiné Par	BoxCad: BoxCad	Date 21-Jan-25
Material Matière	14 Ga Stainless Steel 304 (1.7mm)	
Color Couleur	Asa-61 Grey	Finish Fini Smooth
Description		Detail Rev.
5412ESSDD 54" x 42" x 8" Body		
Part Number Numéro Pièce	Rev.	7
<b>5412ESSDD544208PTHB</b>	<b>0</b>	20

This drawing is confidential and must not be reproduced or used without the consent of EXM

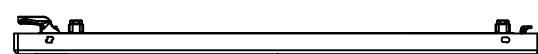
Ce dessin est confidentiel et ne doit pas être reproduit ou utilisé sans le consentement de EXM



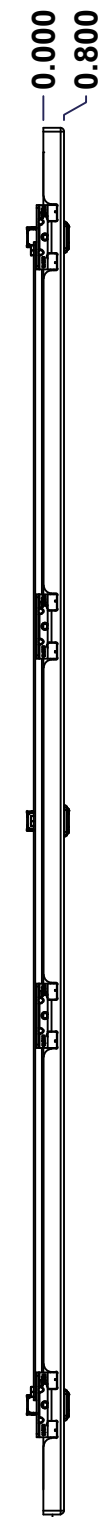
TOP



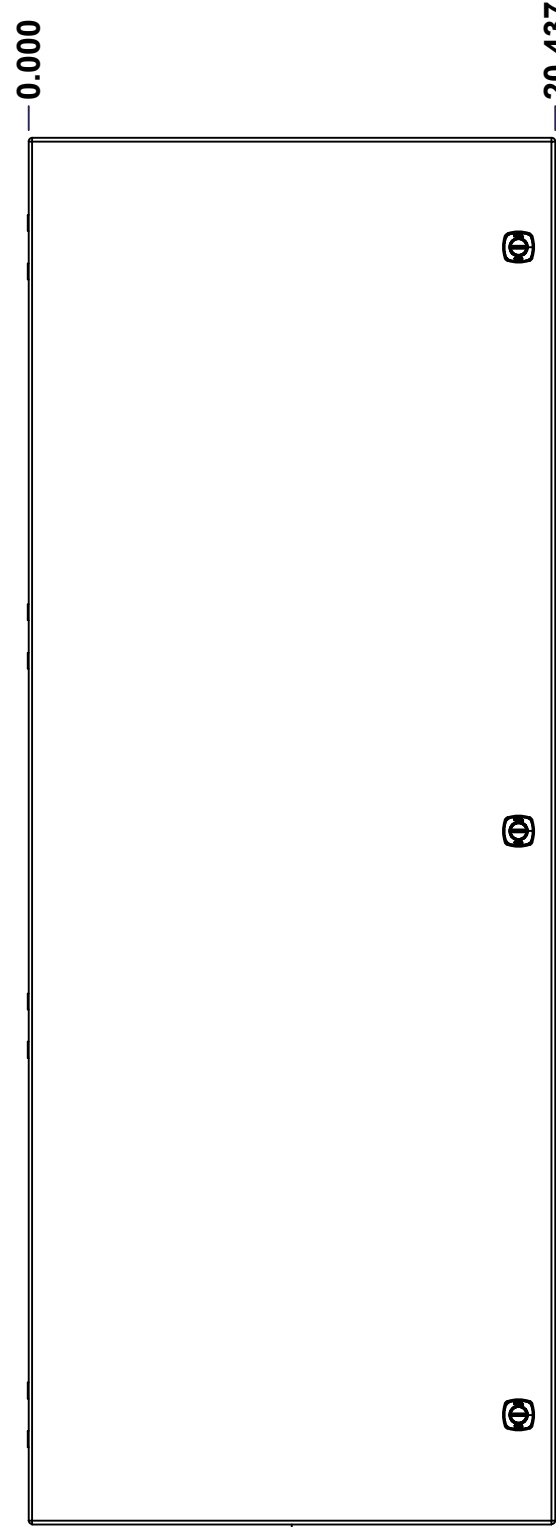
BACK



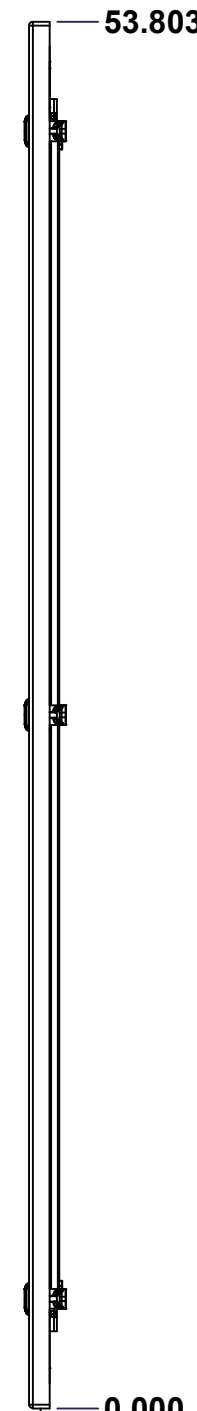
BOTTOM



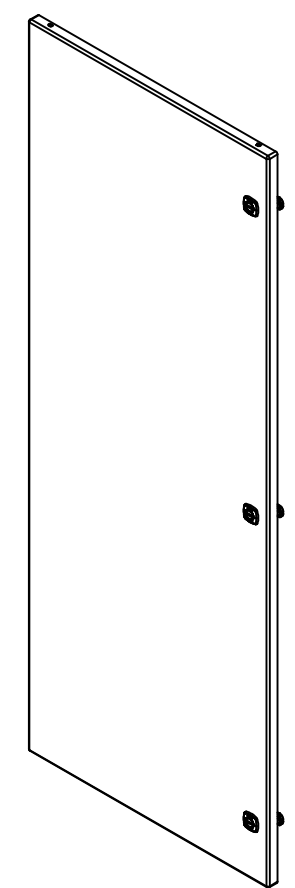
LEFT



FRONT




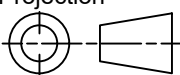
RIGHT



Isometric View

No.	Revisions	Date	By/Par



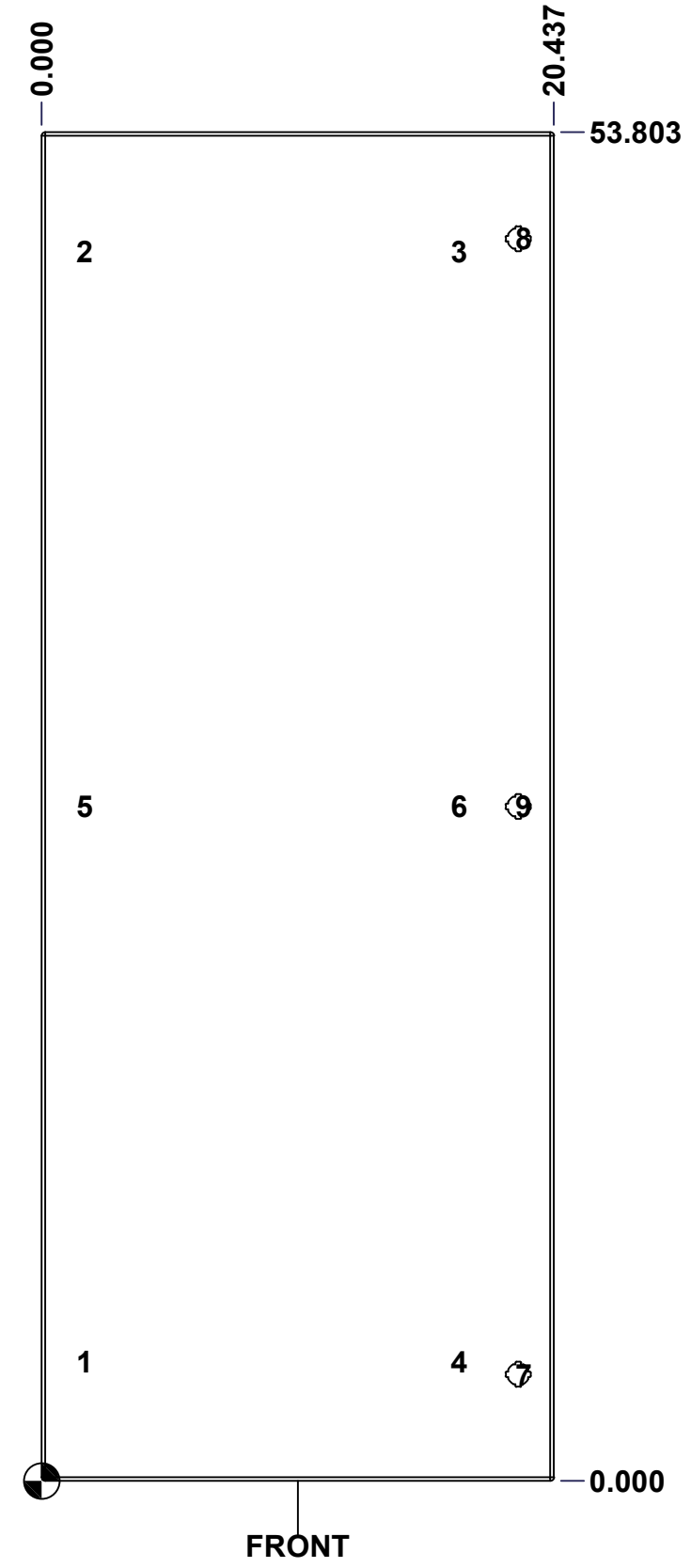
 Tél: (450) 979-4373 Fax: (450) 979-4626 <a href="http://www.exmweb.com">www.exmweb.com</a>		Flatness Aplatissement Max 3.0mm Projection 
Customer Client	Date	
Drawn By Dessiné Par	BoxCad: BoxCad	Date 21-Jan-25
Material Matière	16 Ga Stainless Steel 304 (1.4mm)	
Color Couleur	Asa-61 Grey	Finish Fini Smooth
Description		Detail Rev.
5412ESSDD 54" x 42" Cover		
Part Number Numéro Pièce	Rev. 0	8 / 20

SEE BILL OF MATERIAL ON LAST PAGE **5412ESSDD544208PTHLD**

This drawing is confidential and must not be reproduced or used without the consent of EXM

Ce dessin est confidentiel et ne doit pas être reproduit ou utilisé sans le consentement de EXM

STANDARD FEATURES ARE NOT LISTED IN THIS HOLE TABLE			
HOLE TABLE - FRONT VIEW (CUSTOM FEATURE ONLY)			
CUT-OUT	XDIM	YDIM	DESCRIPTION
1	1.486	4.756	STUD M6 x 18mm (Inside)
2	1.486	49.047	STUD M6 x 18mm (Inside)
3	16.442	49.047	STUD M6 x 18mm (Inside)
4	16.442	4.756	STUD M6 x 18mm (Inside)
5	1.486	26.902	STUD M6 x 18mm (Inside)
6	16.442	26.902	STUD M6 x 18mm (Inside)
-----			
7	19.013	4.250	LOCK 880 SCQ4-SLSS6 @ 0.0°
8	19.013	49.553	LOCK 880 SCQ4-SLSS6 @ 0.0°
9	19.013	26.902	LOCK 880 SCQ4-SLSS6 @ 0.0°

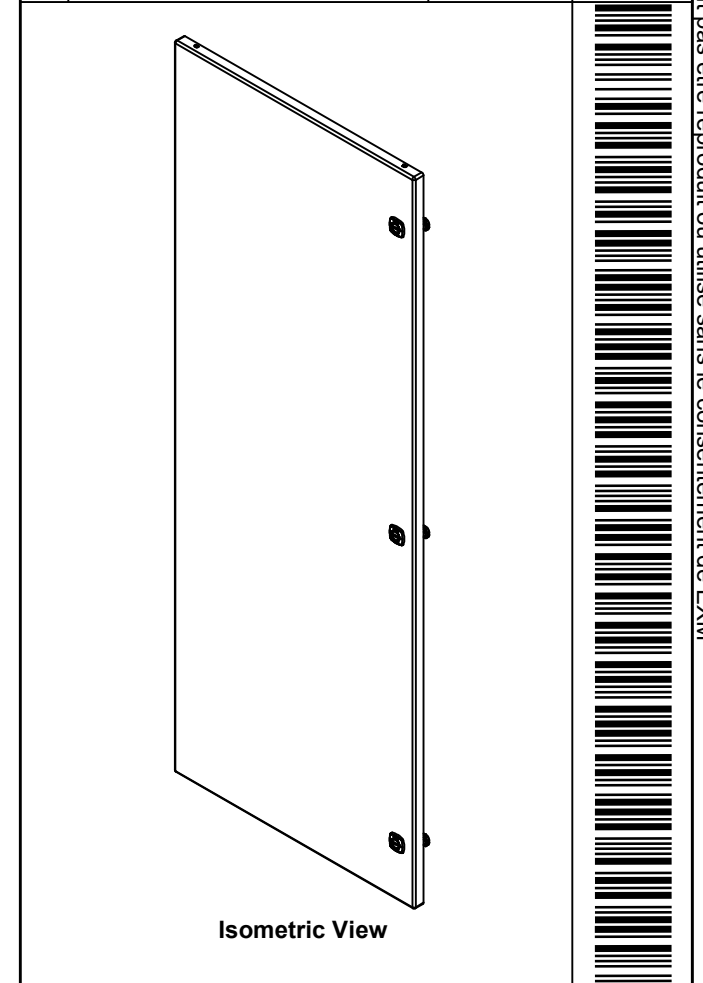


	Description	Status
	5412ESSDD 54" x 42" Cover	(NULL)
	Part Number Numéro Pièce	Rev.
	<b>5412ESSDD544208PTHLD</b>	<b>0</b>
		9
		20


This drawing is confidential and must not be reproduced or used without the consent of EXM

Ce dessin est confidentiel et ne doit pas être reproduit ou utilisé sans le consentement de EXM

No.	Revisions	Date	By/Par

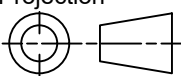


6	STK-Q-07250	2	M6 x 16mm Collar Nut
2	STK-Q-46020-48	5	5412 ES Vertical Door Stiffener 48"
2	STK-S-00100	0	3.5" x 2" Silver Milar Flexcon Sticker
1	5412ESSDD544208PTH-LD	0	5412ESSDD 54" x 42" Left Door Insulation
3	STK-K-12590	7	5412 ESS 1/4 Turn Lock
1	STK-P-02400S	0	Powder Paint (Asa-61 Grey / Smooth)
6	STK-Q-16070	1	Stud M6 x 18mm Stainless steel
1	5412ESSDD544208PTH-LD-G	0	5412ESSDD 54" x 20.437" Cover Gasket Part
1	5412ESSDD544208PTH-LD-P	0	5412ESSDD 54" x 42" Cover Part
4	STK-A-33016	0	5412 ESS Bended Hinge (Body Part)
<b>QTY</b>	<b>Part Number</b>	<b>Rev</b>	<b>Description</b>
Parts List			



Tél: (450) 979-4373  
Fax: (450) 979-4626  
[www.exmweb.com](http://www.exmweb.com)

Flatness  
Aplatissement  
Max 3.0mm

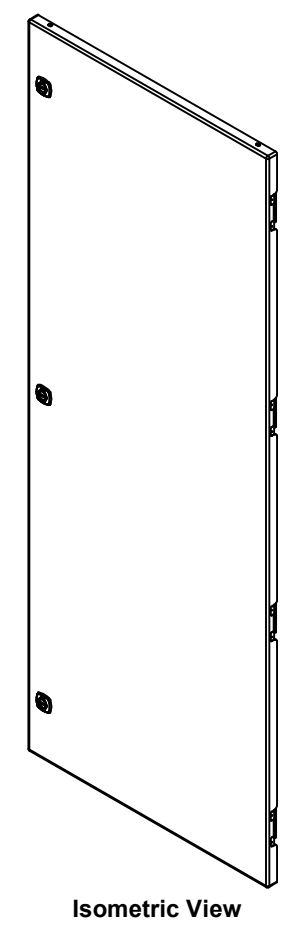
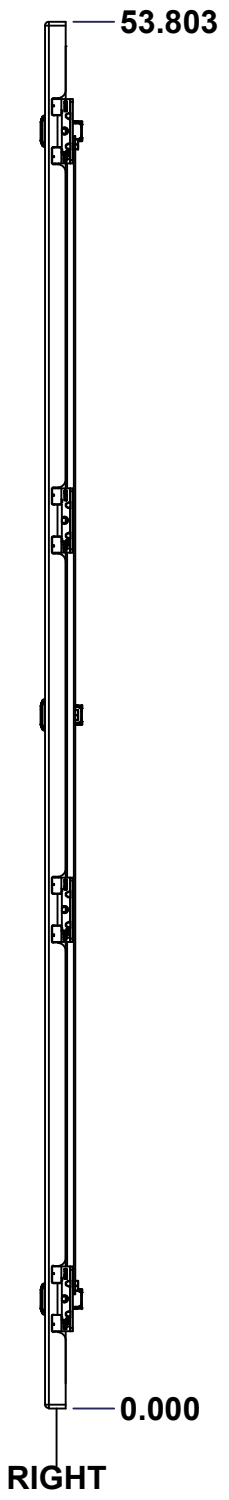
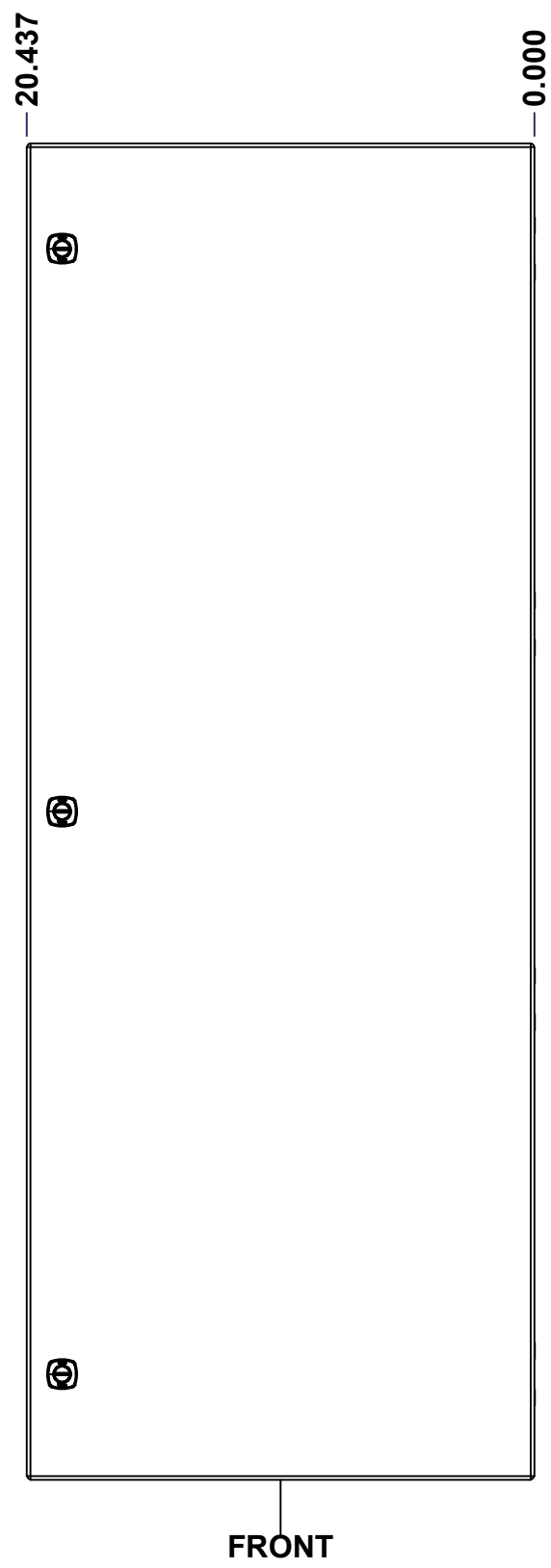
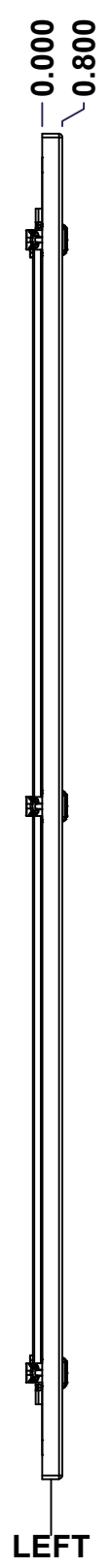
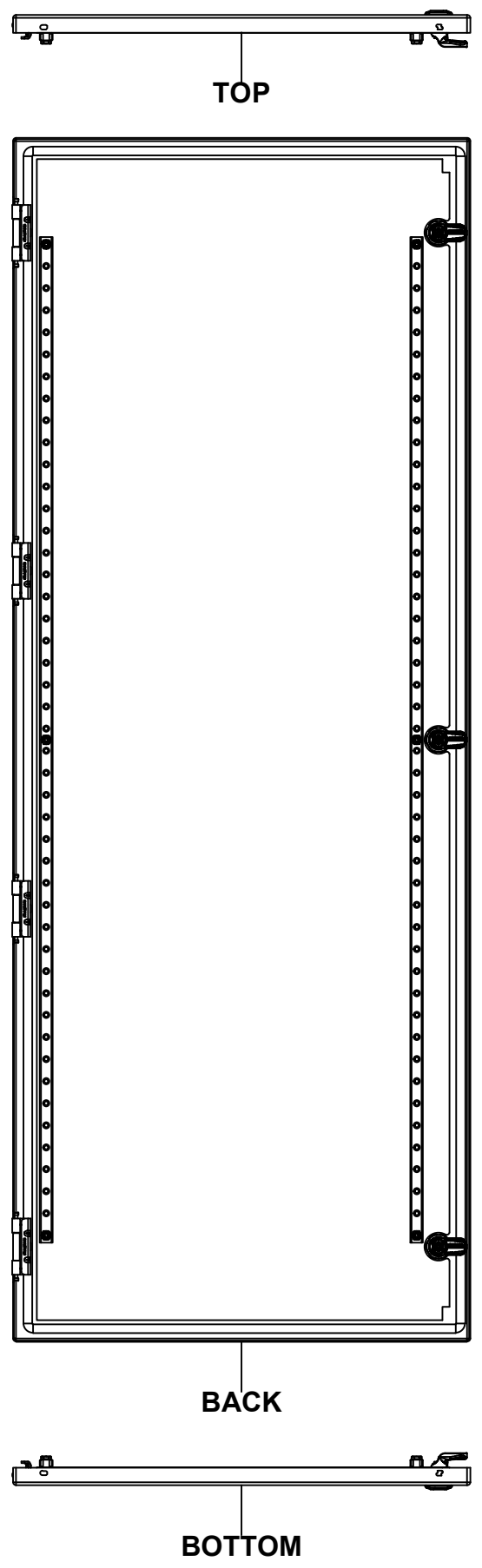
Projection  


Customer Client		Date
Drawn By Dessiné Par	BoxCad: BoxCad	Date 21-Jan-25
Material Matière 16 Ga Stainless Steel 304 (1.4mm)		
Color Couleur	Asa-61 Grey	Finish Fini Smooth
Description 5412ESSDD 54" x 42" Cover		Detail Rev.
Part Number Numéro Pièce <b>5412ESSDD544208PTHLD</b>		Rev. 0



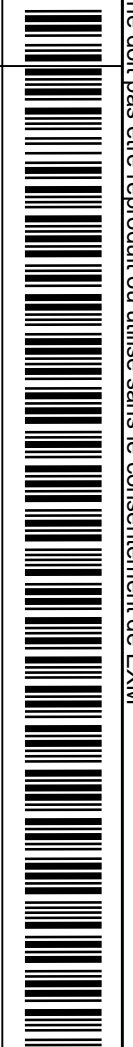
This drawing is confidential and must not be reproduced or used without the consent of EXM

Ce dessin est confidentiel et ne doit pas être reproduit ou utilisé sans le consentement de EXM



Isometric View

No.	Revisions	Date	By/Par



Tél: (450) 979-4373  
 Fax: (450) 979-4626  
[www.exmweb.com](http://www.exmweb.com)

Flatness  
 Aplatissement  
 Max 3.0mm  
 Projection

Customer Client	Date
Drawn By Dessiné Par BoxCad: BoxCad	Date 21-Jan-25
Material Matière 16 Ga Stainless Steel 304 (1.4mm)	
Color Couleur Asa-61 Grey	Finish Fini Smooth
Description 5412ESSDD 54" x 42" Cover	Detail Rev.
Part Number Numéro Pièce	Rev. 11
<b>SEE BILL OF MATERIAL ON LAST PAGE 5412ESSDD544208PTH</b>	<b>0</b>

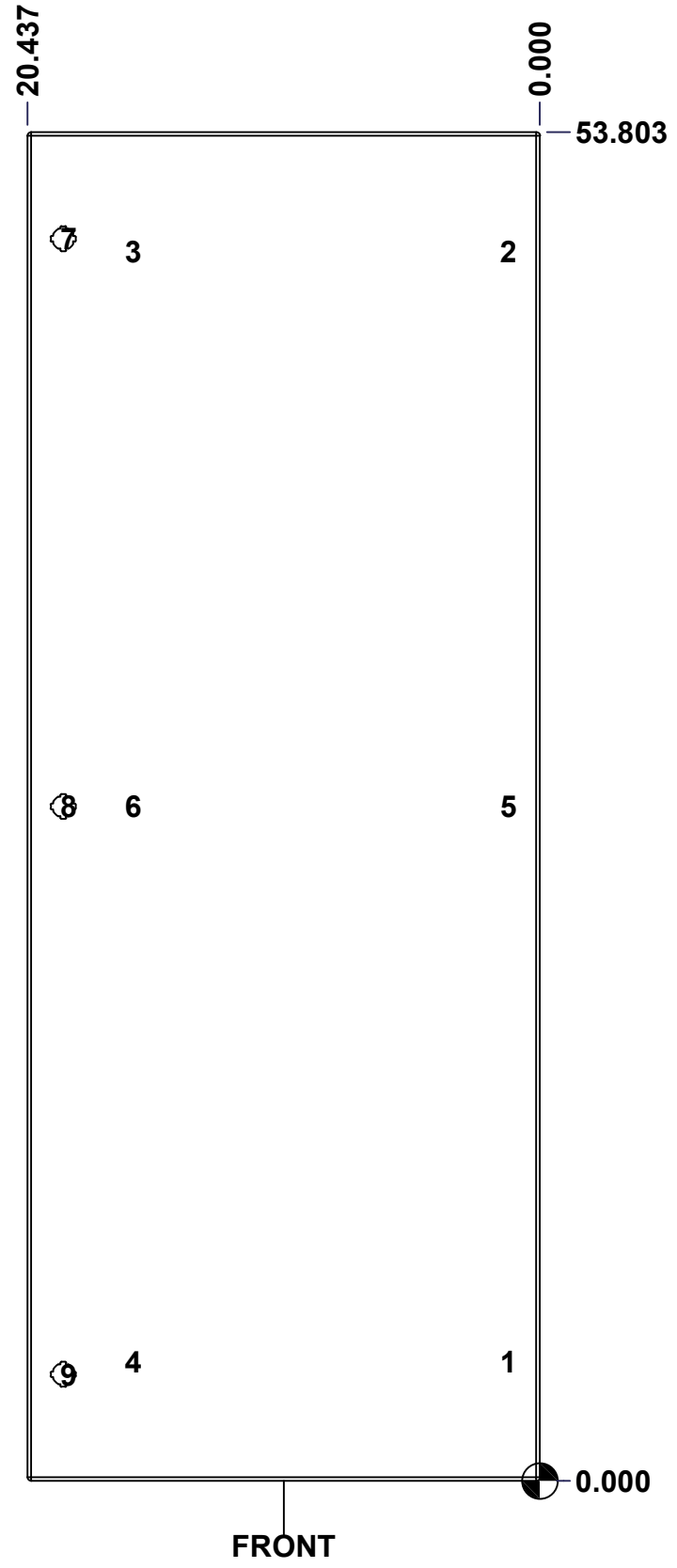
This drawing is confidential and must not be reproduced or used without the consent of EXM

Ce dessin est confidentiel et ne doit pas être reproduit ou utilisé sans le consentement de EXM

**STANDARD FEATURES ARE NOT LISTED IN THIS HOLE TABLE**

**HOLE TABLE - FRONT VIEW (CUSTOM FEATURE ONLY)**

CUT-OUT	XDIM	YDIM	DESCRIPTION
1	1.486	4.756	STUD M6 x 18mm (Inside)
2	1.486	49.047	STUD M6 x 18mm (Inside)
3	16.442	49.047	STUD M6 x 18mm (Inside)
4	16.442	4.756	STUD M6 x 18mm (Inside)
5	1.486	26.902	STUD M6 x 18mm (Inside)
6	16.442	26.902	STUD M6 x 18mm (Inside)
-----			
7	19.013	49.553	LOCK 880 SCQ4-SLSS6 @ 180.0°
8	19.013	26.902	LOCK 880 SCQ4-SLSS6 @ 180.0°
9	19.013	4.250	LOCK 880 SCQ4-SLSS6 @ 180.0°

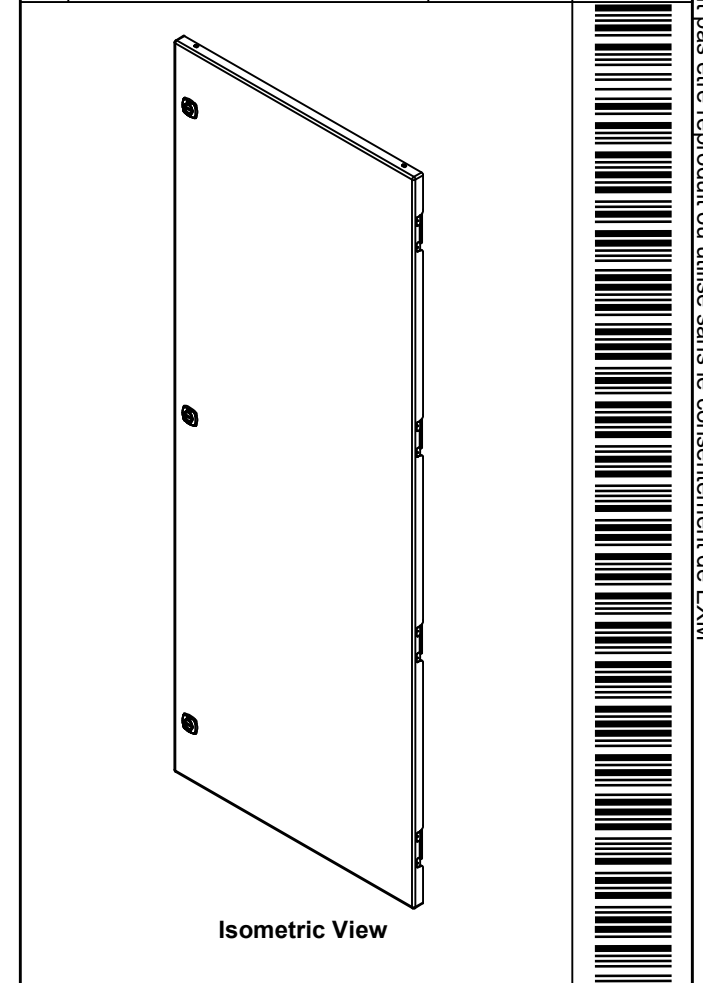


	Description	Status
	5412ESSDD 54" x 42" Cover	(NULL)
	Part Number Numéro Pièce	Rev.
	<b>5412ESSDD544208PTH</b>	<b>0</b> / 12
		20

This drawing is confidential and must not be reproduced or used without the consent of EXM

Ce dessin est confidentiel et ne doit pas être reproduit ou utilisé sans le consentement de EXM

No.	Revisions	Date	By/Par



QTY	Part Number	Rev	Description
6	STK-Q-07250	2	M6 x 16mm Collar Nut
2	STK-Q-46020-48	5	5412 ES Vertical Door Stiffener 48"
1	5412ESSDD544208PTH-RD	0	5412ESSDD 54" x 42" Right Door Insulation
3	STK-K-12590	7	5412 ESS 1/4 Turn Lock
1	STK-P-02400S	0	Powder Paint (Asa-61 Grey / Smooth)
6	STK-Q-16070	1	Stud M6 x 18mm Stainless steel
1	5412ESSDD544208PTH-RD-G	0	5412ESSDD 54" x 20.437" Cover Gasket Part
1	5412ESSDD544208PTH-RD-P	0	5412ESSDD 54" x 42" Cover Part
4	STK-A-33016	0	5412 ESS Bended Hinge (Body Part)
Parts List			

Tél: (450) 979-4373  
Fax: (450) 979-4626  
[www.exmweb.com](http://www.exmweb.com)

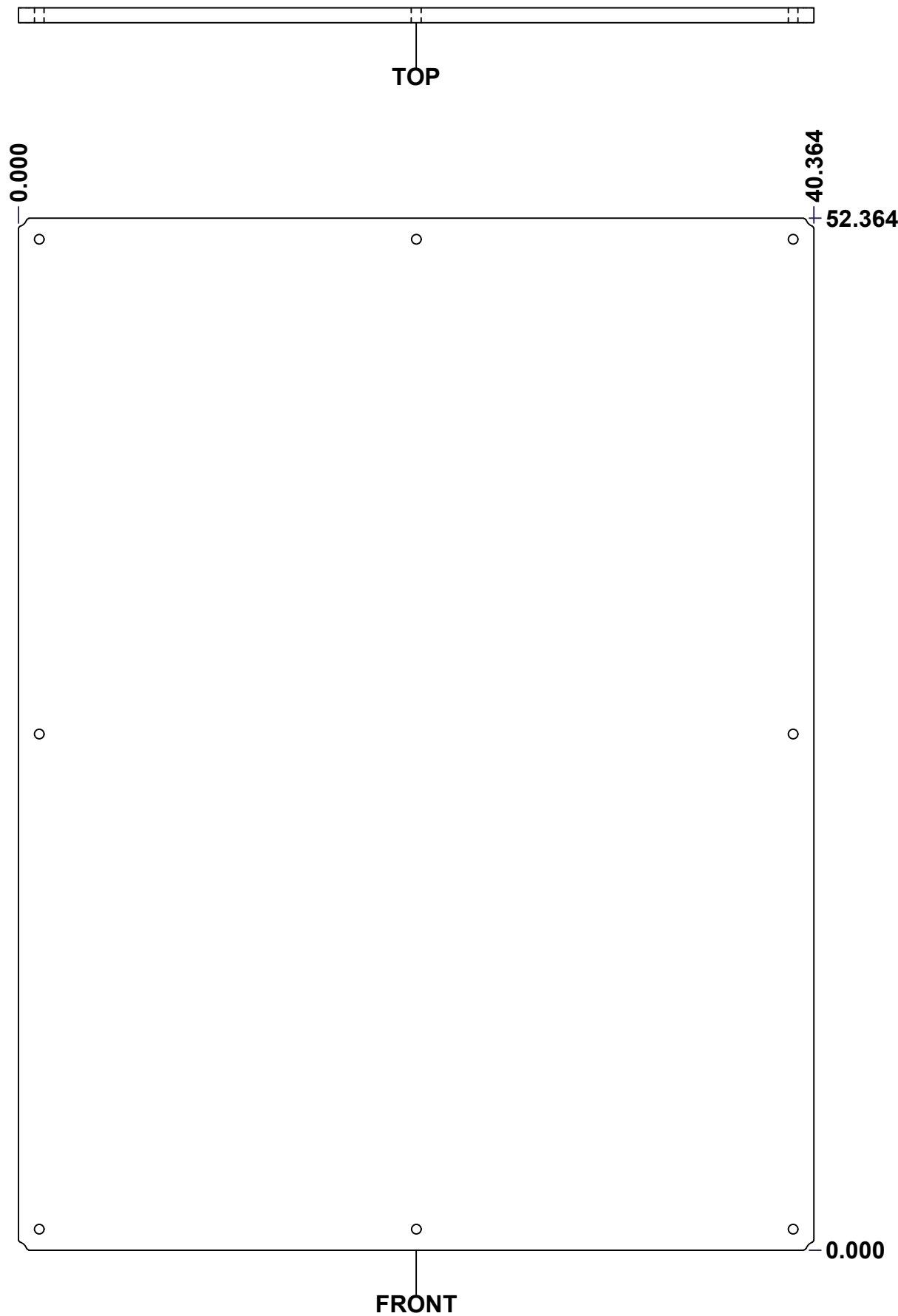
Flatness  
Aplatissement  
Max 3.0mm

Projection

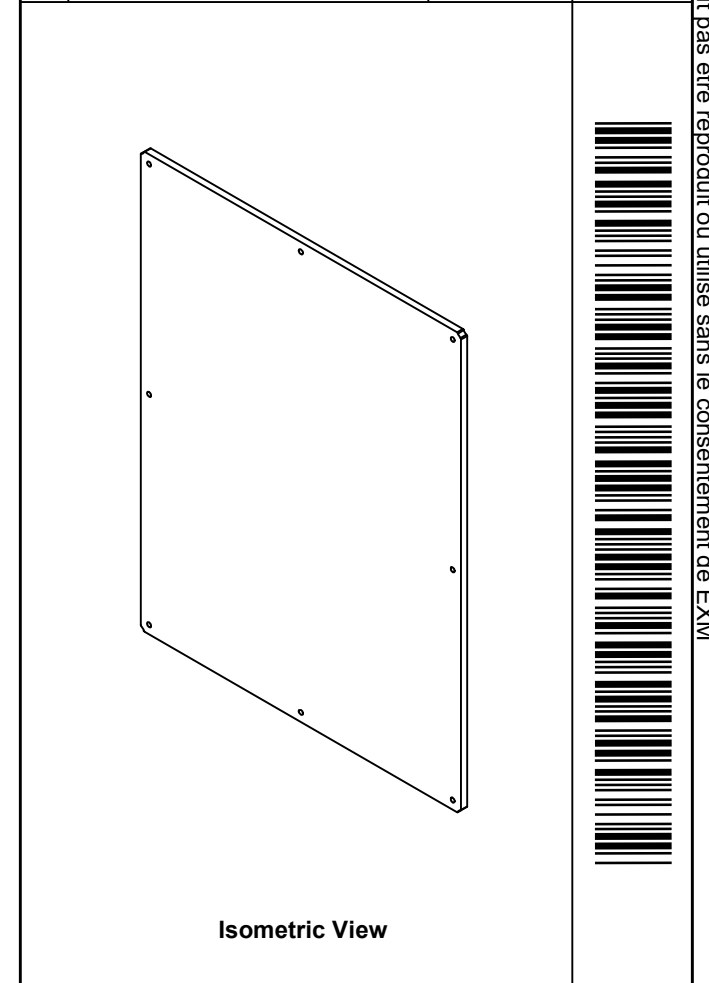
Customer Client	Date
Drawn By Dessiné Par BoxCad: BoxCad	Date 21-Jan-25
Material Matière 16 Ga Stainless Steel 304 (1.4mm)	
Color Couleur Asa-61 Grey	Finish Fini Smooth
Description 5412ESSDD 54" x 42" Cover	Detail Rev.
Part Number Numéro Pièce <b>5412ESSDD544208PTH-RD</b>	Rev. <b>0</b>


This drawing is confidential and must not be reproduced or used without the consent of EXM

Ce dessin est confidentiel et ne doit pas être reproduit ou utilisé sans le consentement de EXM



No.	Revisions	Date	By/Par

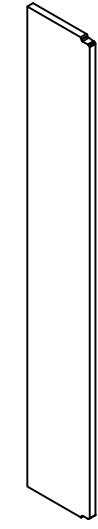
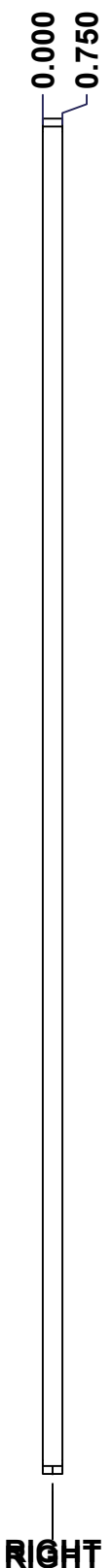
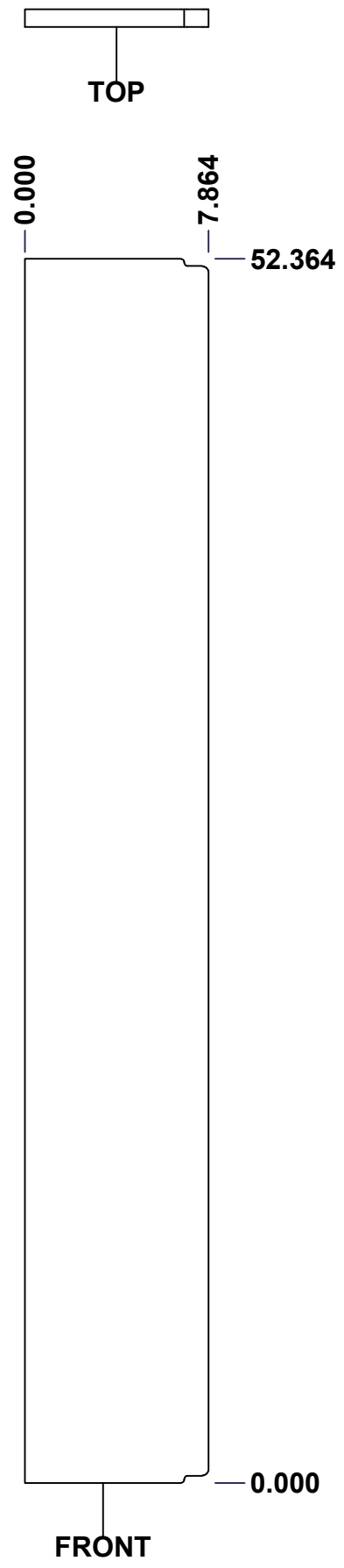


 Tél: (450) 979-4373 Fax: (450) 979-4626 <a href="http://www.exmweb.com">www.exmweb.com</a>		Flatness Aplatissement Max 3.0mm
Customer Client		Date
Drawn By / Dessiné Par: BoxCad: Patrick Deschenes		Date: 23-Jan-07
Material / Matière: Polyisocyanurate		
Color / Couleur: Aluminum	Finish / Fini: N/A	
Description: 5412ESSDD 54" x 42" Back Insulation		Detail Rev.
Part Number / Numéro Pièce: 5412ESSDD544208PTHI-B		Rev. 14 0 20

SEE BILL OF MATERIAL ON LAST PAGE

This drawing is confidential and must not be reproduced or used without the consent of EXM

Ce dessin est confidentiel et ne doit pas être reproduit ou utilisé sans le consentement de EXM



No.	Revisions	Date	By/Par

Isometric View



Tél: (450) 979-4373  
 Fax: (450) 979-4626  
[www.exmweb.com](http://www.exmweb.com)

Flatness  
 Aplatissement  
 Max 3.0mm  
 Projection

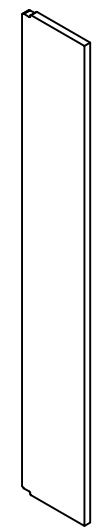
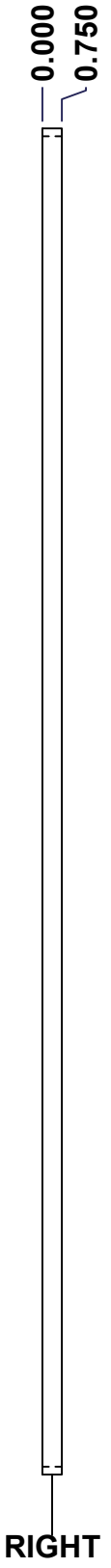
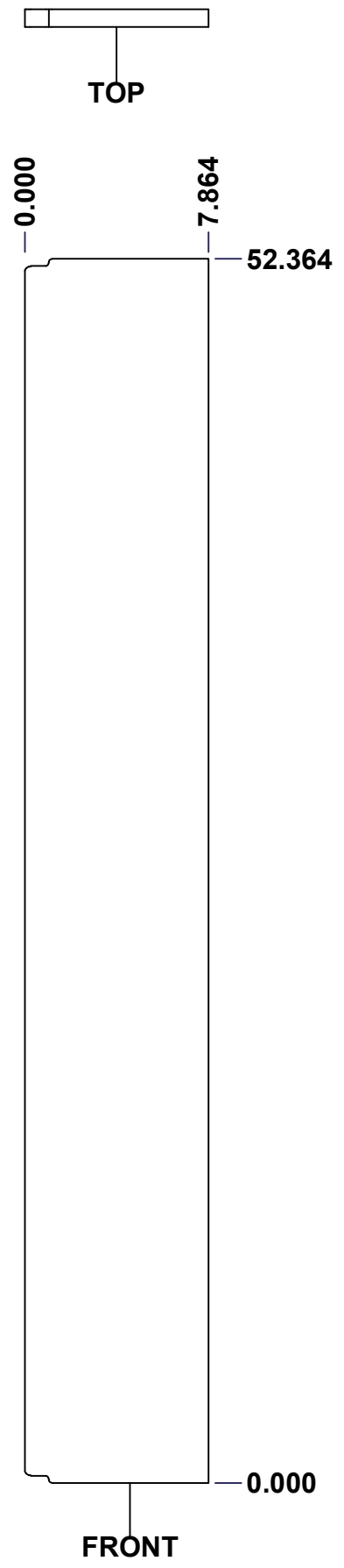
Customer Client	Date
Drawn By / Dessiné Par: BoxCad: Patrick Deschenes	Date: 23-Jan-07
Material / Matière: Polyisocyanurate	
Color / Couleur: Aluminum	Finish / Fini: N/A

Description: 5412ESSDD 54" x 42" Left Insulation	Detail Rev.
Part Number / Numéro Pièce: 5412ESSDD544208PTHI-LS	Rev. 15

SEE BILL OF MATERIAL ON LAST PAGE 5412ESSDD544208PTHI-LS 0 20

This drawing is confidential and must not be reproduced or used without the consent of EXM

Ce dessin est confidentiel et ne doit pas être reproduit ou utilisé sans le consentement de EXM



No.	Revisions	Date	By/Par

Isometric View



Tél: (450) 979-4373  
 Fax: (450) 979-4626  
[www.exmweb.com](http://www.exmweb.com)

Flatness  
Aplatissement  
Max 3.0mm  
Projection

Customer Client	Date
Drawn By / Dessiné Par: BoxCad: Patrick Deschenes	Date: 23-Jan-07
Material / Matière: Polyisocyanurate	
Color / Couleur: Aluminum	Finish / Fini: N/A

Description: 5412ESSDD 54" x 42" Right Insulation	Detail Rev.
Part Number / Numéro Pièce: 5412ESSDD544208PTHI-RS	Rev. 16

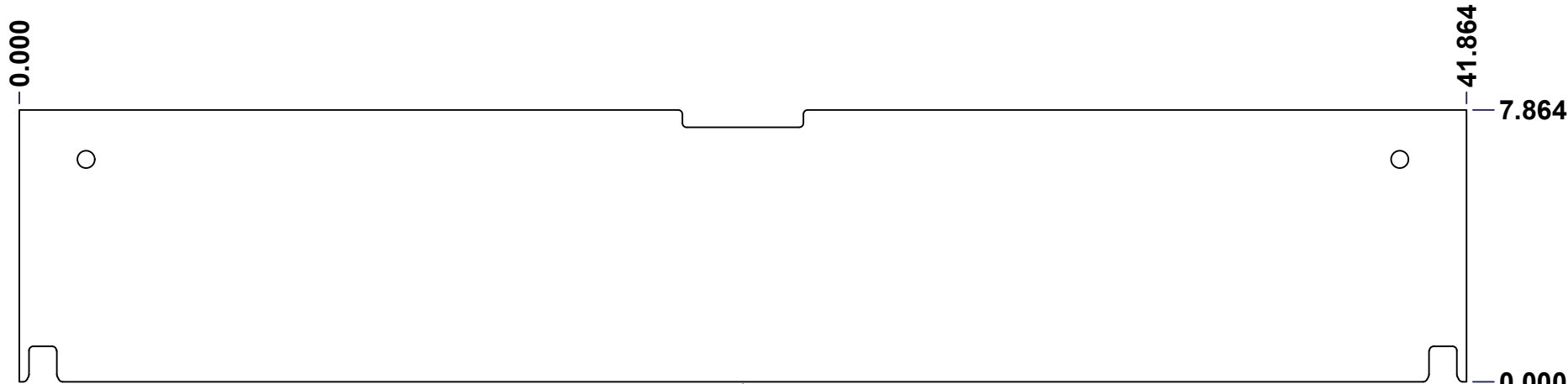
SEE BILL OF MATERIAL ON LAST PAGE 5412ESSDD544208PTHI-RS 0 20

This drawing is confidential and must not be reproduced or used without the consent of EXM

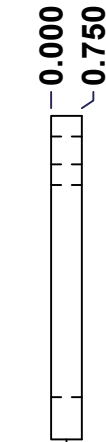
Ce dessin est confidentiel et ne doit pas être reproduit ou utilisé sans le consentement de EXM



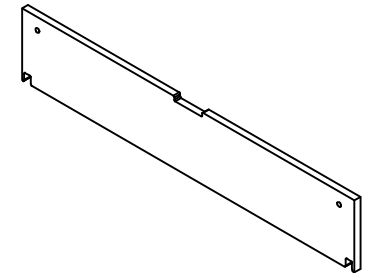
TOP



FRONT




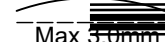
RIGHT



Isometric View



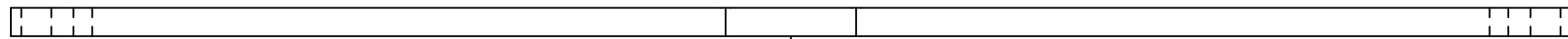
No.	Revisions	Date	By/Par

 Tél: (450) 979-4373 Fax: (450) 979-4626 <a href="http://www.exmweb.com">www.exmweb.com</a>		Flatness Aplatissement  Max 5.0mm
Customer Client		Date
Drawn By Dessiné Par BoxCad: BoxCad		Date 4/3/2024
Material Matière Polyisocyanurate		
Color Couleur Aluminum	Finish Fini Smooth	
Description 5412ESSDD 54" x 42"Top Insulation		Detail Rev.
Part Number Numéro Pièce 5412ESSDD544208PTHI-TP		Rev. 17 0 20

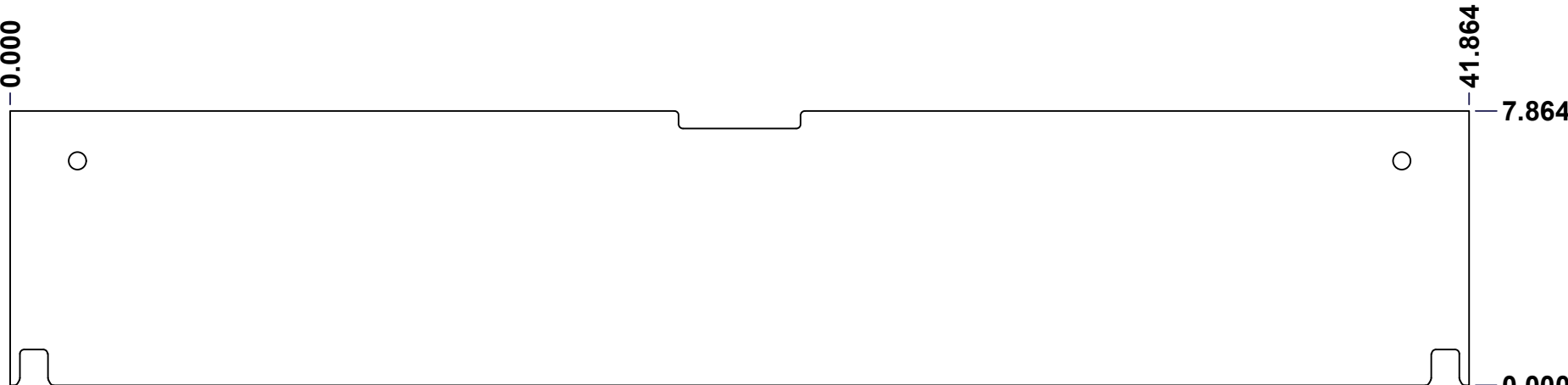
SEE BILL OF MATERIAL ON LAST PAGE

This drawing is confidential and must not be reproduced or used without the consent of EXM

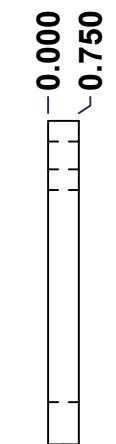
Ce dessin est confidentiel et ne doit pas être reproduit ou utilisé sans le consentement de EXM



TOP

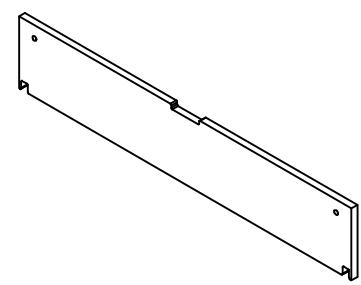


FRONT



RIGHT

No.	Revisions	Date	By/Par



Isometric View



Tél: (450) 979-4373  
 Fax: (450) 979-4626  
[www.exmweb.com](http://www.exmweb.com)

Flatness  
Aplatissement  
Max 5.0mm  
Projection

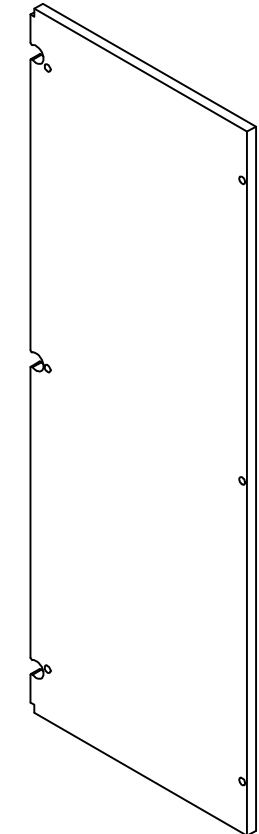
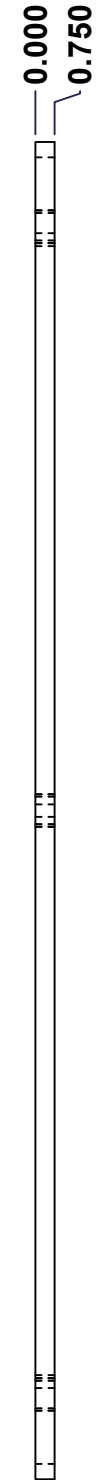
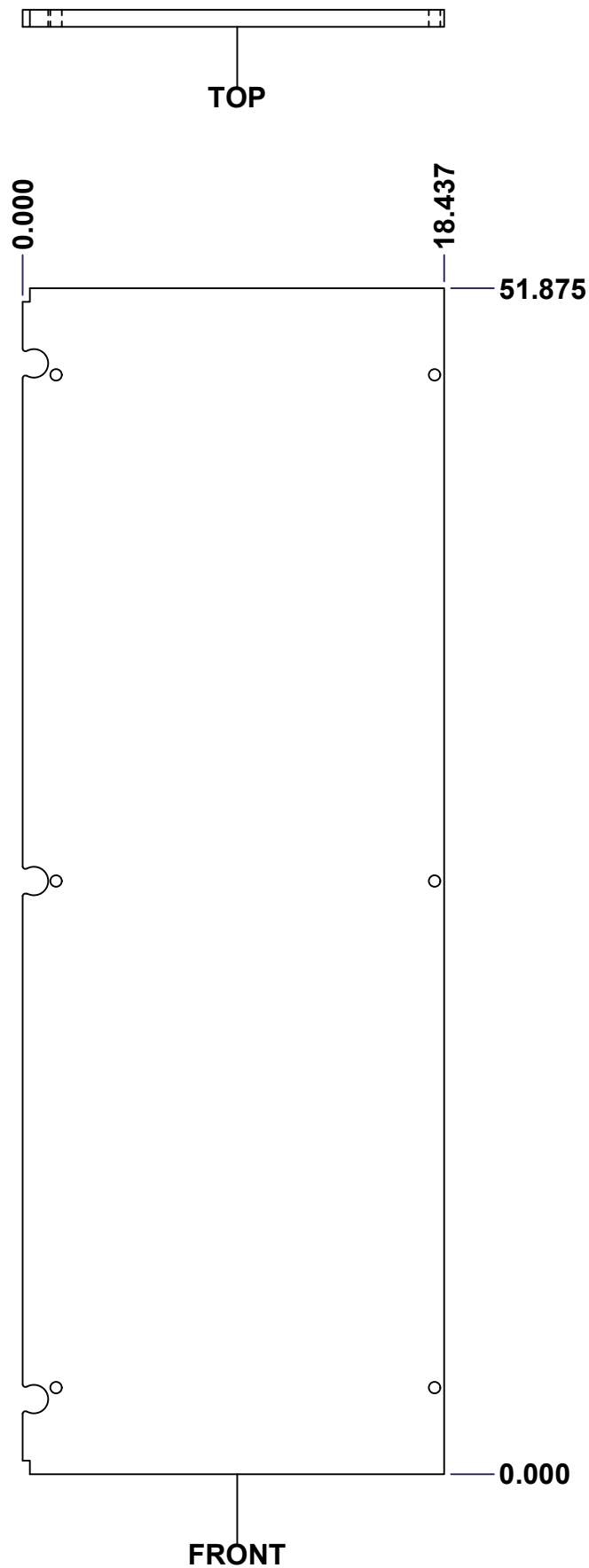
Customer Client	Date
Drawn By / Dessiné Par: BoxCad: BoxCad	Date: 4/3/2024
Material / Matière: Polyisocyanurate	
Color / Couleur: Aluminum	Finish / Fini: Smooth
Description: 5412ESSDD 54" x 42" Bottom Insulation	Detail Rev.

Part Number / Numéro Pièce: 5412ESSDD544208PTHI-BT	Rev. 0	18 / 20
--	--------	---------

SEE BILL OF MATERIAL ON LAST PAGE

This drawing is confidential and must not be reproduced or used without the consent of EXM

Ce dessin est confidentiel et ne doit pas être reproduit ou utilisé sans le consentement de EXM



No.	Revisions	Date	By/Par

**Isometric View**

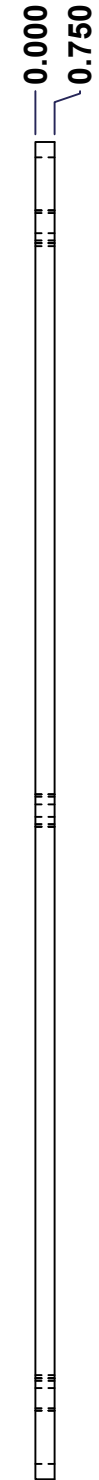
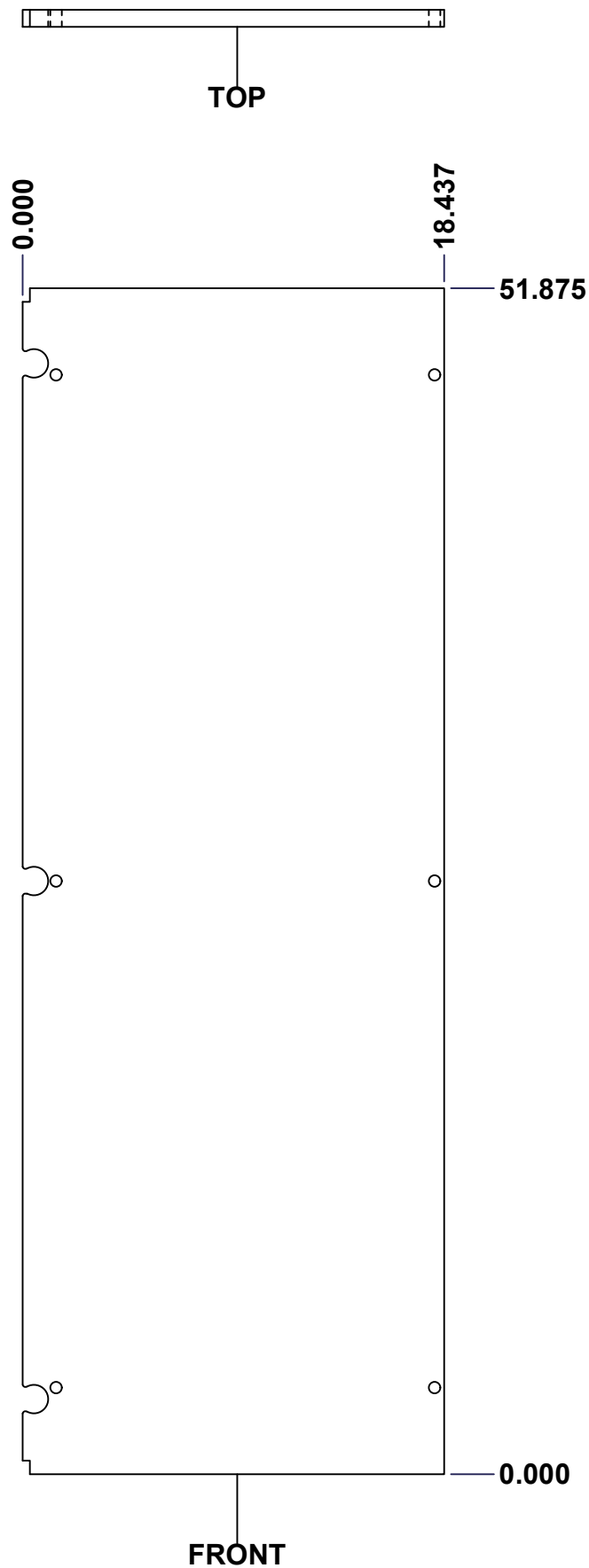
**Flatness**  
Aplatissement  
Max 3.0mm

**Projection**

Customer Client		Date	
Drawn By / Dessiné Par: BoxCad: Patrick Deschenes		Date: 23-Jan-07	
Material / Matière: Polyisocyanurate			
Color / Couleur: Aluminum	Finish / Fini: N/A		
Description: 5412ESSDD 54" x 42" Left Door Insulation			Detail Rev.:
Part Number / Numéro Pièce: 5412ESSDD544208PTH-LD		Rev.:	19
SEE BILL OF MATERIAL ON LAST PAGE		0	20

This drawing is confidential and must not be reproduced or used without the consent of EXM

Ce dessin est confidentiel et ne doit pas être reproduit ou utilisé sans le consentement de EXM



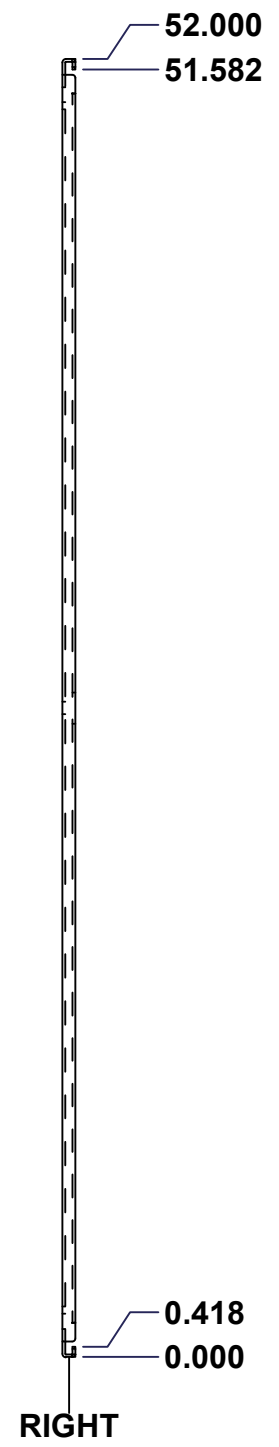
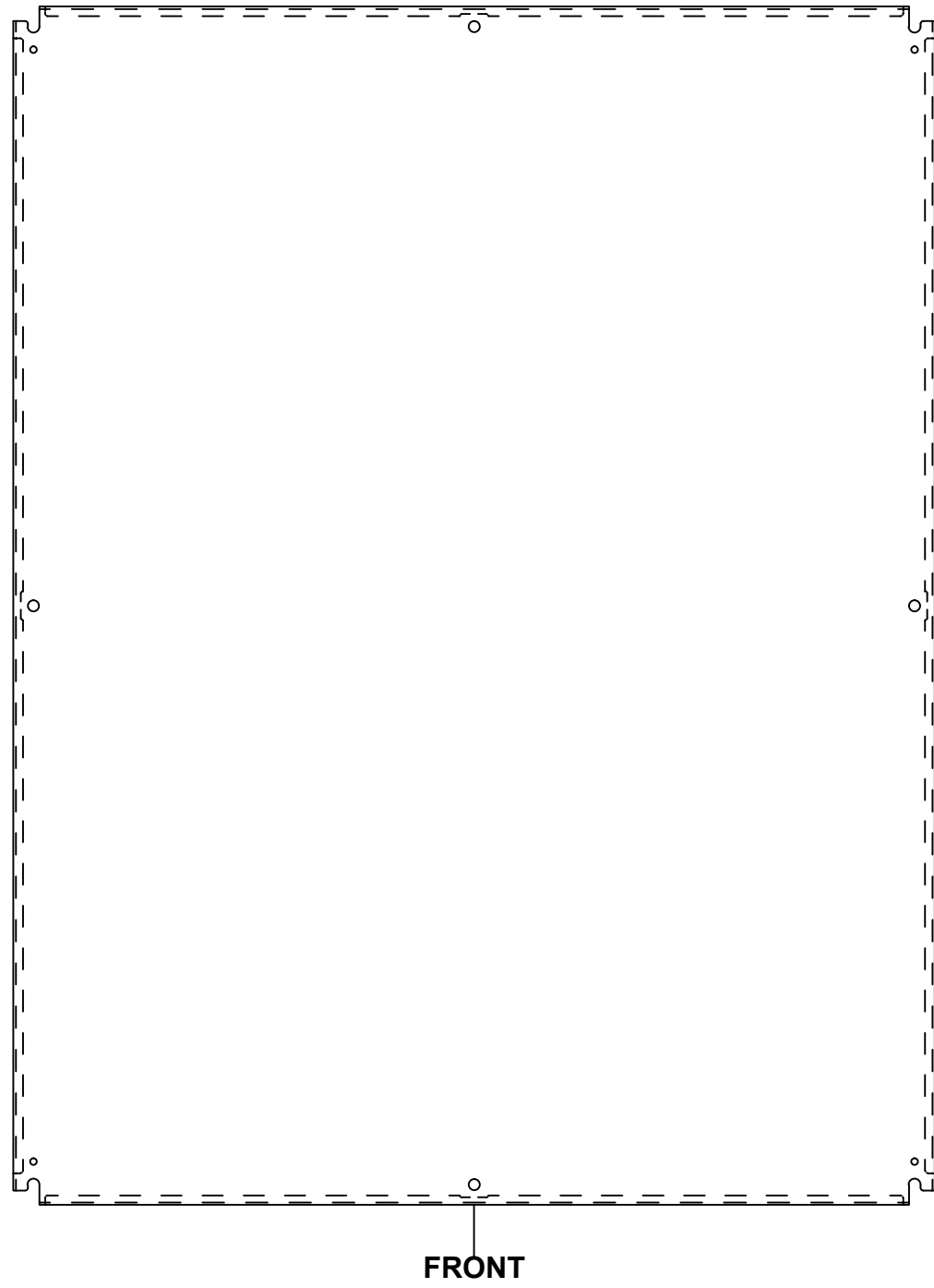
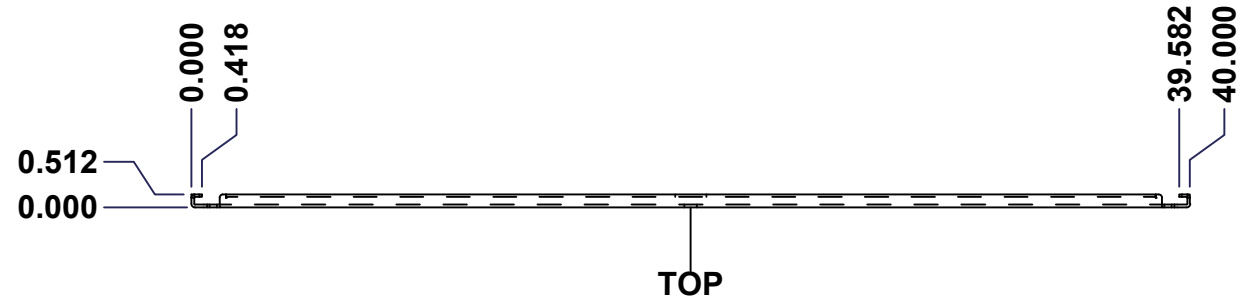
No.	Revisions	Date	By/Par

**Isometric View**

<p>Tél: (450) 979-4373                  Fax: (450) 979-4626  <a href="http://www.exmweb.com">www.exmweb.com</a></p>		Flatness Aplatissement	
		Max 3.0mm	
Customer Client		Date	
Drawn By Dessiné Par		Date 23-Jan-07	
Material Matière		Polyisocyanurate	
Color Couleur	Aluminum	Finish Fini	N/A
Description			Detail Rev.
5412ESSDD 54" x 42" Right Door Insulation			
Part Number Numéro Pièce		Rev.	20
SEE BILL OF MATERIAL ON LAST PAGE 5412ESSDD544208PTHI-RD		0	20

This drawing is confidential and must not be reproduced or used without the consent of EXM

Ce dessin est confidentiel et ne doit pas être reproduit ou utilisé sans le consentement de EXM



No.	Revisions	Date	By/Par

Isometric View

Tél: (450) 979-4373 Fax: (450) 979-4626 www.exmweb.com	Flatness Aplatissement Max 3.0mm
	Projection 
Customer Client	Date
Drawn By / Dessiné Par: BoxCad	Date: 23-Jan-07
Material / Matière: See Part List	
Color / Couleur: See Part List	Finish / Fini: See Part List
Description: 881 SP - Inner Panel	Detail Rev.
Part Number / Numéro Pièce: <b>881 SP5442G</b>	Rev. 1/2

Qty	Part Number	Rev	Description	Material	Color	Finish
1	881 SP5442G-P	0	881 SP - Inner Panel Part	12 Ga Galvanized	Unpainted	Galvanized

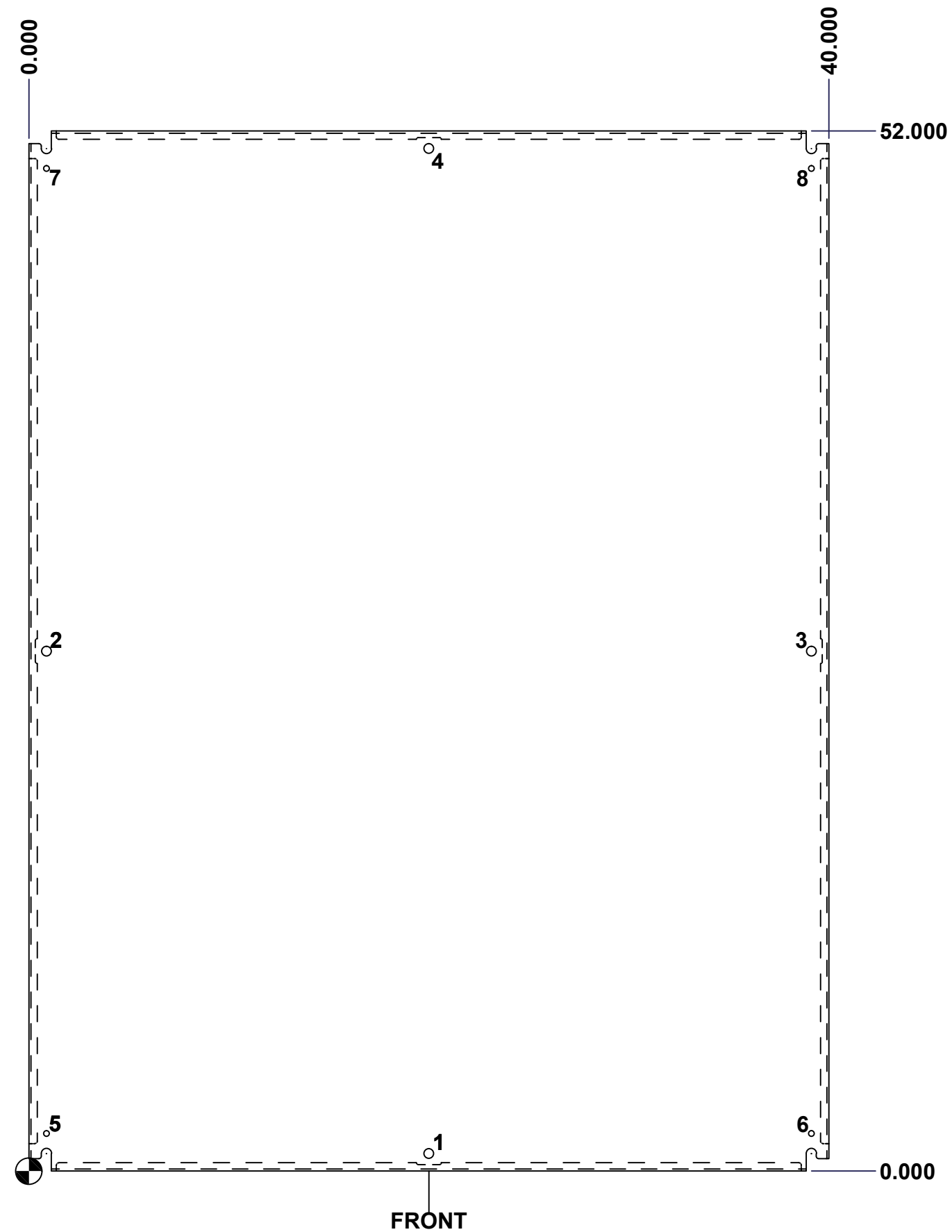
Parts List

This drawing is confidential and must not be reproduced or used without the consent of EXM

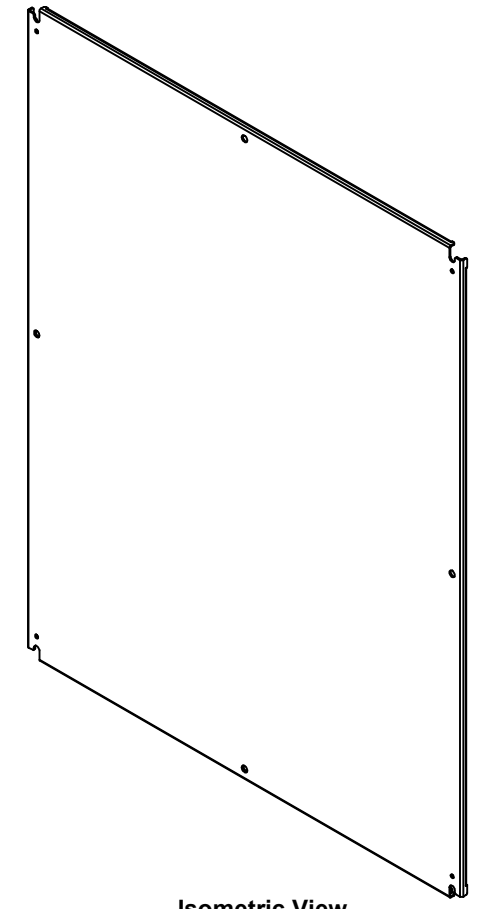
Ce dessin est confidentiel et ne doit pas être reproduit ou utilisé sans le consentement de EXM

Table 1			FRONT VIEW
CUT-OUT	XDIM	YDIM	DESCRIPTION
1	20.000	0.875	MTG STUD HOLE (RND Ø0.500)
2	0.875	26.000	MTG STUD HOLE (RND Ø0.500)
3	39.125	26.000	MTG STUD HOLE (RND Ø0.500)
4	20.000	51.125	MTG STUD HOLE (RND Ø0.500)
5	0.875	1.875	GROUND HOLE (RND Ø0.290)
6	39.125	1.875	GROUND HOLE (RND Ø0.290)
7	0.875	50.125	GROUND HOLE (RND Ø0.290)
8	39.125	50.125	GROUND HOLE (RND Ø0.290)

All knockouts are actual size / Les disques défonçables sont grandeur réel



No.	Revisions	Date	By/Par



	Tél: (450) 979-4373 Fax: (450) 979-4626 www.exmweb.com	Flatness Aplatissement Max 3.0mm
		Projection 
Customer Client		Date
Drawn By Dessiné Par	BoxCad	Date 23-Jan-07
Material Matière	See Part List	
Color Couleur	See Part List	Finish Fini See Part List
Description 881 SP - Inner Panel		Detail Rev.
Part Number Numéro Pièce	<b>881 SP5442G</b>	Rev. 0

2  
2