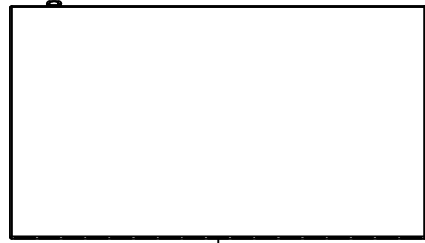


This drawing is confidential and must not be reproduced or used without the consent of EXM

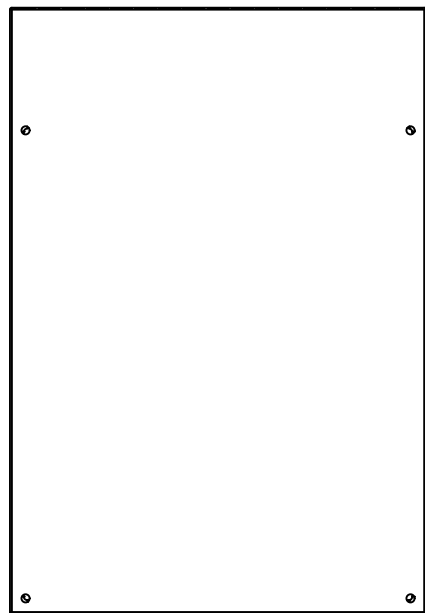
Ce dessin est confidentiel et ne doit pas être reproduit ou utilisé sans le consentement de EXM

**APPROVED FOR PRODUCTION**  
**APPROUVÉ POUR PRODUCTION**  
 SIGNATURE: \_\_\_\_\_  
 NAME / NOM: \_\_\_\_\_  
 DATE: \_\_\_\_\_  
 Please visit: [www.boxcadexm.com](http://www.boxcadexm.com)

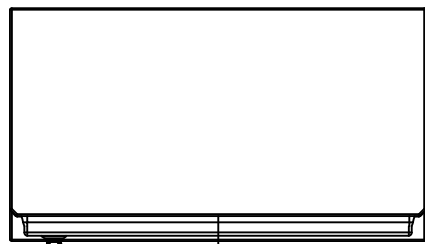
No.	Revisions	Date	By/Par



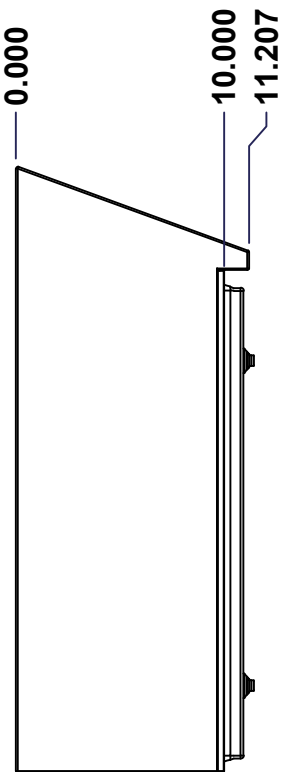
TOP



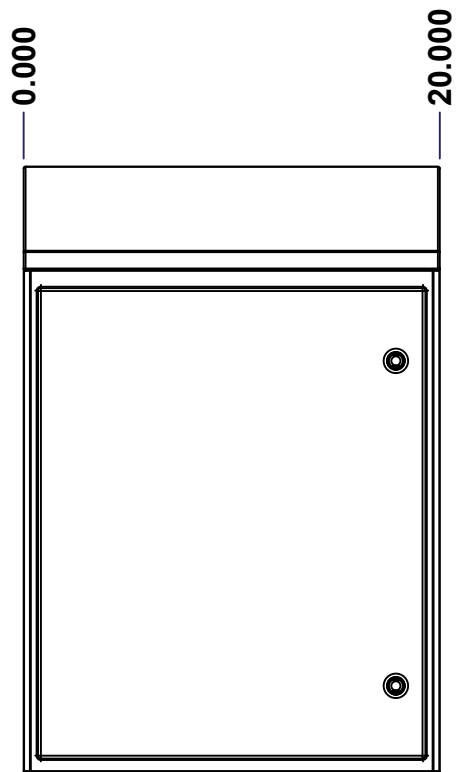
BACK



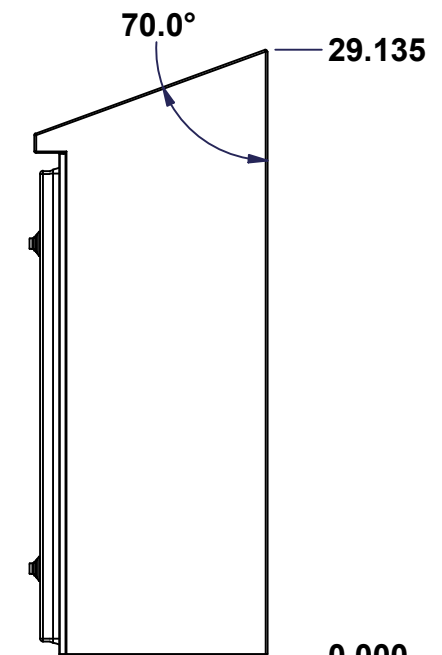
BOTTOM



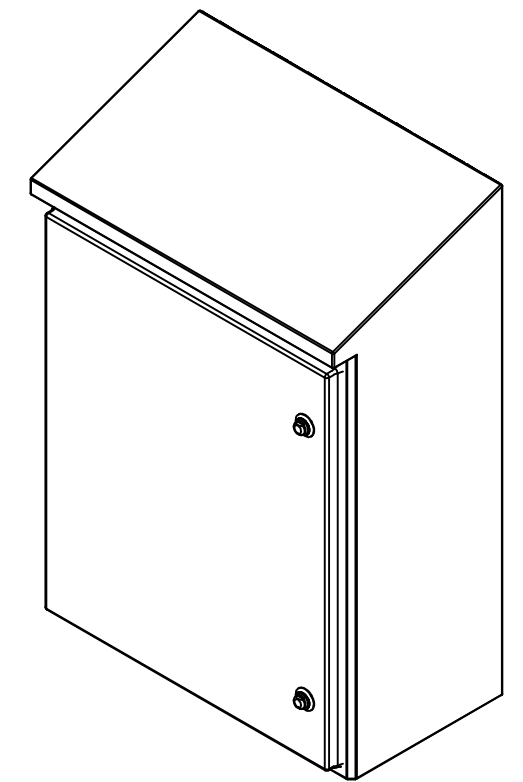
LEFT



FRONT



RIGHT


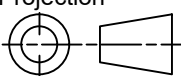


Isometric View



**GRAIN DIRECTION:**  
**TOP/BOTTOM: HORIZONTAL**  
**LEFT/RIGHT/BACK/FRONT: VERTICAL**

SEE BILL OF MATERIAL ON LAST PAGE

 Tél: (450) 979-4373 Fax: (450) 979-4626 <a href="http://www.exmweb.com">www.exmweb.com</a>		Flatness Aplatissement Max 3.0mm Projection 
Customer Client	Date	
Drawn By Dessiné Par	BoxCad: janicepongexm	Date 13-Nov-25
Material Matière	16 Ga Stainless Steel 304 (1.4mm)	
Color Couleur	Unpainted	Finish Fini Brushed
Description	Detail Rev.	
5412ESSHY 24" x 20" x 10" Assembly		
Part Number Numéro Pièce	Rev.	1
5412ESSHY242010	0	11

This drawing is confidential and must not be reproduced or used without the consent of EXM

Ce dessin est confidentiel et ne doit pas être reproduit ou utilisé sans le consentement de EXM

**NOTE**

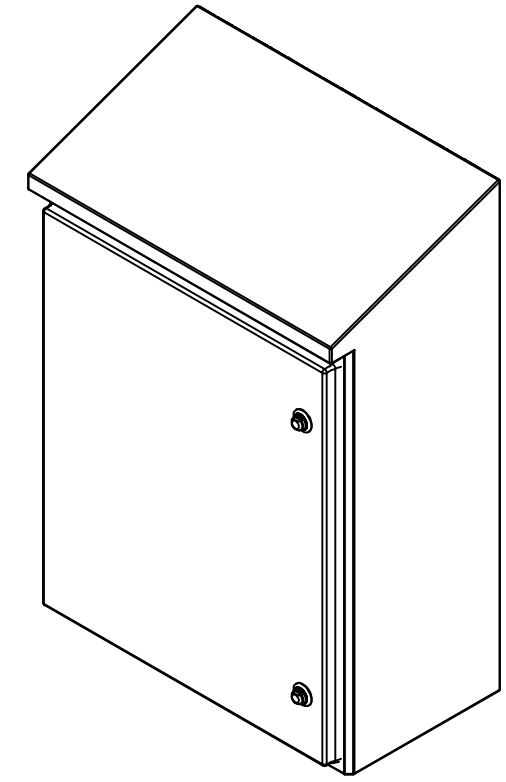
ITEM	DESCRIPTION
1	NEMA 4X Enclosure (IP69)
2	C/W Standard ground studs on box and cover
3	W/O Standard door stiffener
4	C/W Special inner panel (Sold separately)
5	C/W Standard inner panel mounting studs

**APPROVED FOR PRODUCTION  
APPROUVÉ POUR PRODUCTION**

SIGNATURE: \_\_\_\_\_  
NAME / NOM: \_\_\_\_\_  
DATE: \_\_\_\_\_

Please visit: [www.boxcadexm.com](http://www.boxcadexm.com)

No.	Revisions	Date	By/Par



Isometric View



Tél: (450) 979-4373  
Fax: (450) 979-4626  
[www.exmweb.com](http://www.exmweb.com)

Flatness  
Aplatissement  
Max 3.0mm  
Projection

Customer Client	Date
Drawn By / Dessiné Par: BoxCad: janicepongexm	Date: 13-Nov-25
Material / Matière: 16 Ga Stainless Steel 304 (1.4mm)	

Color / Couleur: Unpainted	Finish / Fini: Brushed
Description: 5412ESSHY 24" x 20" x 10" Assembly	
Part Number / Numéro Pièce: <b>5412ESSHY242010</b>	Rev. / Révis: 0

Qty	Part Number	Rev	Description
1	25-185388IP	0	5412ESSHY 24" x 20" Inner Panel
2	STK-K-01320	0	5412 ES Inner Panel Accessory Kit
1	STK-K-01800	5	5412 ES Accessory Kit
2	STK-Q-04051-08	1	M6 x 8mm Stainless Steel Hexagon Socket Head Machine Screw with Nyseal
1	25-185388C	0	5412ESSHY 24" x 20" Cover
1	25-185388B	0	5412ESSHY 24" x 20" x 10" Body

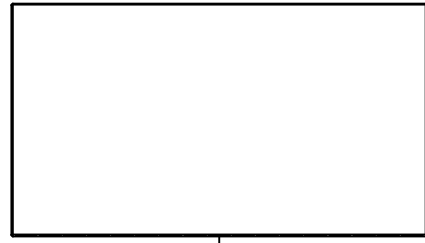
Parts List

**PACKING**

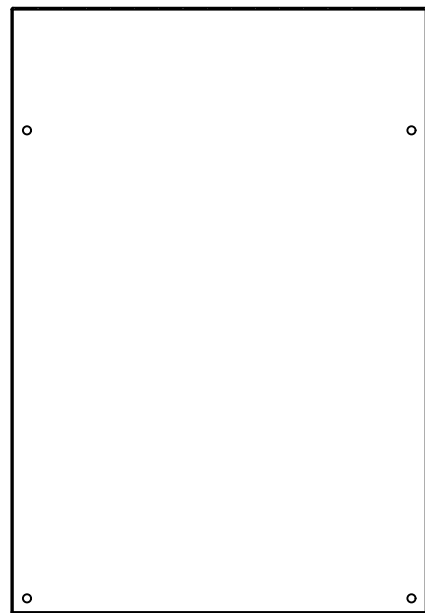
ITEM	QTY	DESCRIPTION
Cardboard sleeve	2	Top and Bottom
Cardboard strip	2	Between back of enclosure and inner panel
Plastic bag	1	To protect cover surface and inside gasket
Plastic strap - Black	2	To Squeeze the 2 cardboard sleeve together
Packaging label	1	White label with product number

This drawing is confidential and must not be reproduced or used without the consent of EXM

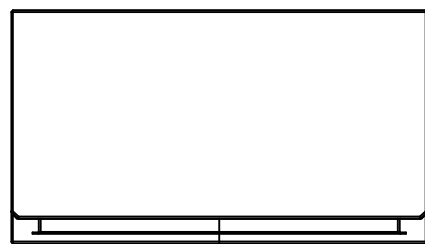
Ce dessin est confidentiel et ne doit pas être reproduit ou utilisé sans le consentement de EXM



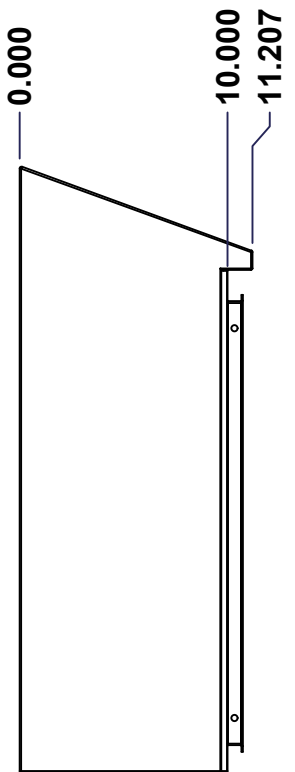
TOP



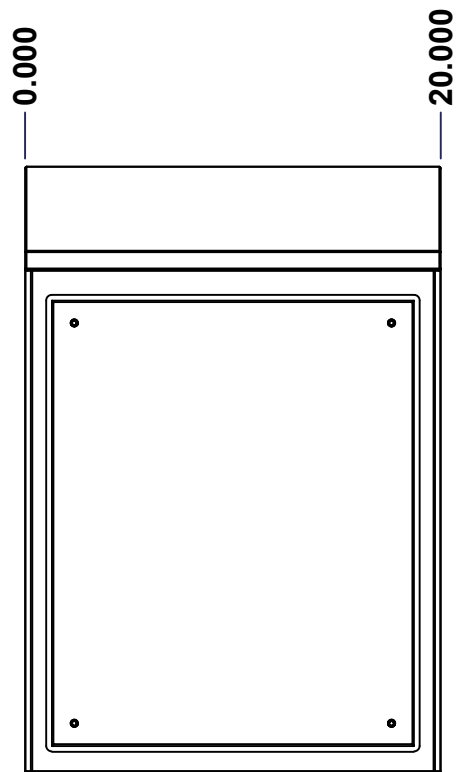
BACK



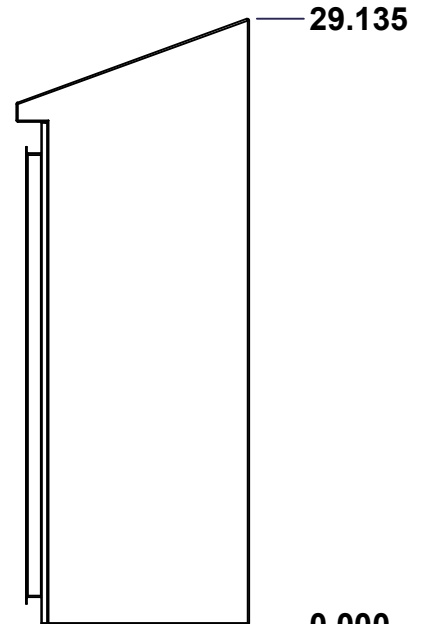
BOTTOM



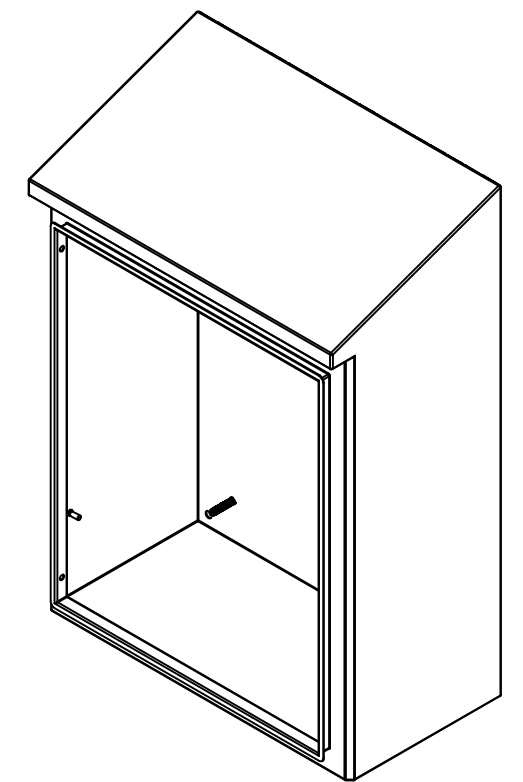
LEFT



FRONT



RIGHT


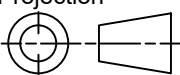


Isometric View



**APPROVED FOR PRODUCTION**  
**APPROUVÉ POUR PRODUCTION**  
 SIGNATURE: \_\_\_\_\_  
 NAME / NOM: \_\_\_\_\_  
 DATE: \_\_\_\_\_  
 Please visit: [www.boxcadexm.com](http://www.boxcadexm.com)

No.	Revisions	Date	By/Par

 Tél: (450) 979-4373 Fax: (450) 979-4626 <a href="http://www.exmweb.com">www.exmweb.com</a>		Flatness Aplatissement Max 3.0mm Projection 
Customer Client	Date	
Drawn By Dessiné Par	BoxCad: janicepongexm	Date 13-Nov-25
Material Matière	16 Ga Stainless Steel 304 (1.4mm)	
Color Couleur	Unpainted	Finish Fini Brushed
Description	Detail Rev.	
5412ESSHY 24" x 20" x 10" Body		
Part Number Numéro Pièce	Rev.	3
5412ESSHY242010	0	11

SEE BILL OF MATERIAL ON LAST PAGE

This drawing is confidential and must not be reproduced or used without the consent of EXM

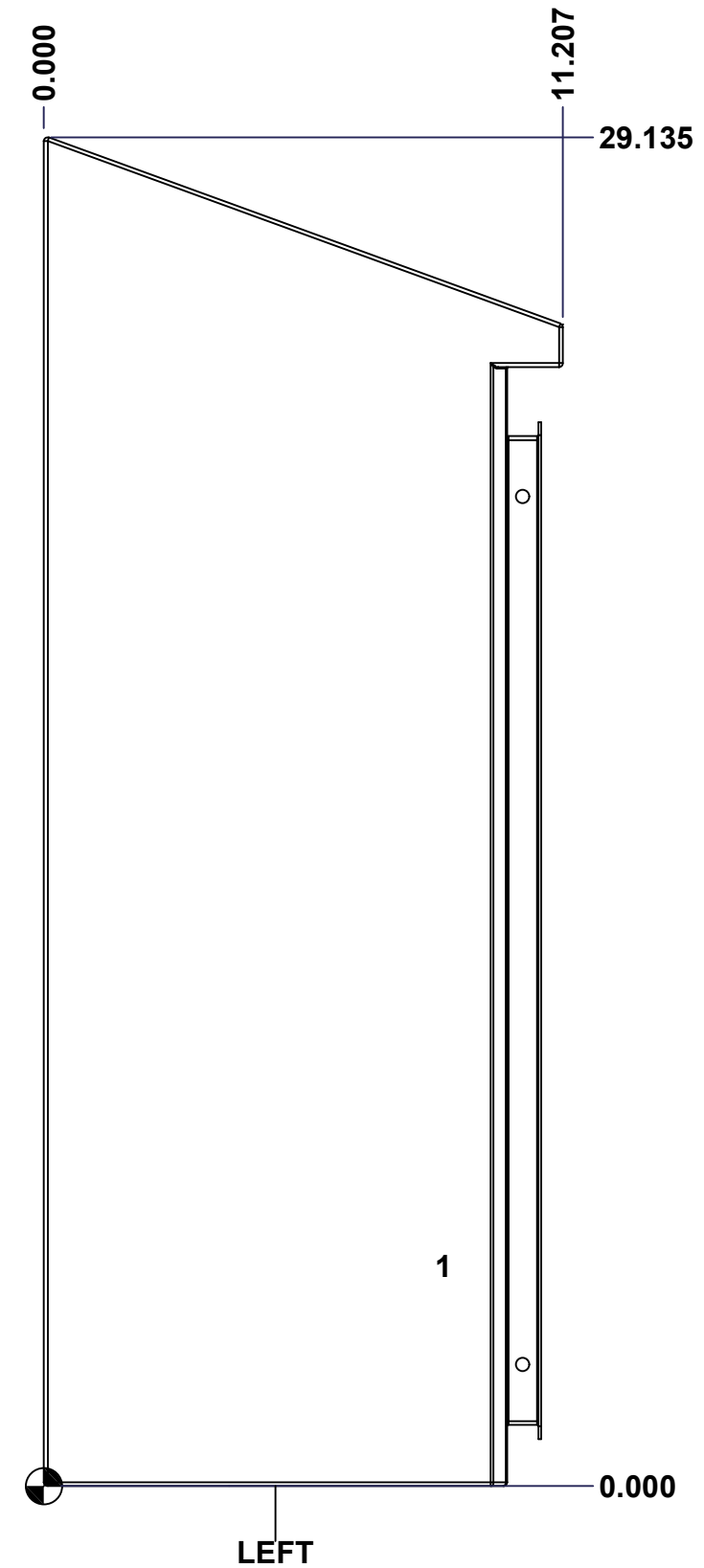
Ce dessin est confidentiel et ne doit pas être reproduit ou utilisé sans le consentement de EXM

**STANDARD FEATURES ARE NOT LISTED IN THIS HOLE TABLE**

**HOLE TABLE - LEFT VIEW (CUSTOM FEATURE ONLY)**

CUT-OUT	XDIM	YDIM	DESCRIPTION
1	8.500	4.750	GND STUD M6 x 16mm (Inside)

**APPROVED FOR PRODUCTION**  
**APPROUVÉ POUR PRODUCTION**  
 SIGNATURE: \_\_\_\_\_  
 NAME / NOM: \_\_\_\_\_  
 DATE: \_\_\_\_\_  
 Please visit: [www.boxcadexm.com](http://www.boxcadexm.com)



	Description	Status	
	5412ESSHY 24" x 20" x 10" Body	(NULL)	
	Part Number Numéro Pièce	Rev.	4
	<b>5412ESSHY242010</b>	<b>0</b>	11

This drawing is confidential and must not be reproduced or used without the consent of EXM

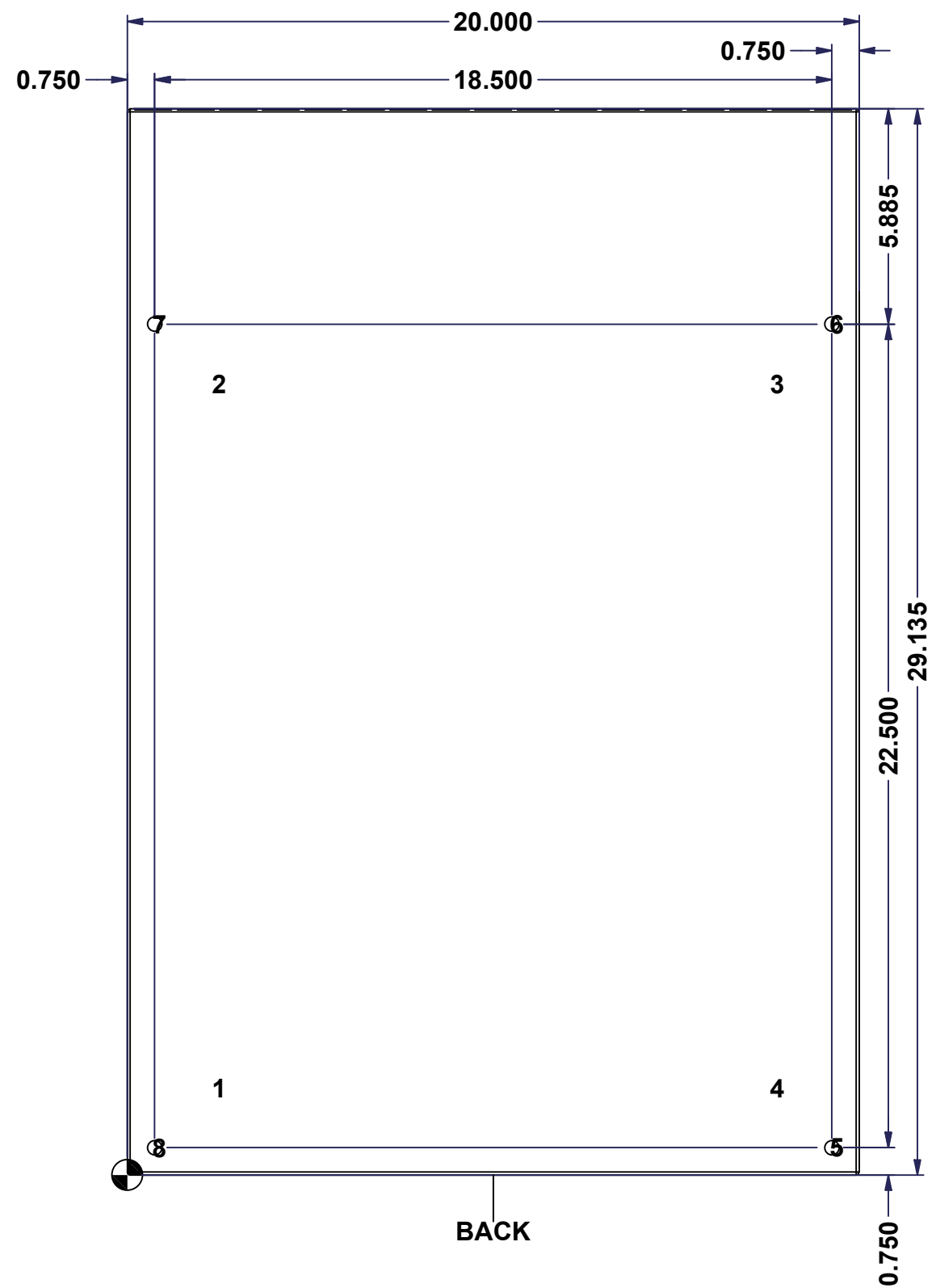
Ce dessin est confidentiel et ne doit pas être reproduit ou utilisé sans le consentement de EXM

**STANDARD FEATURES ARE NOT LISTED IN THIS HOLE TABLE**

**HOLE TABLE - BACK VIEW (CUSTOM FEATURE ONLY)**

CUT-OUT	XDIM	YDIM	DESCRIPTION
1	2.375	2.375	IP STUD M8 x 35mm (Inside)
2	2.375	21.625	IP STUD M8 x 35mm (Inside)
3	17.625	21.625	IP STUD M8 x 35mm (Inside)
4	17.625	2.375	IP STUD M8 x 35mm (Inside)
-----			
5	19.250	0.750	RND Ø0.390
6	19.250	23.250	RND Ø0.390
7	0.750	23.250	RND Ø0.390
8	0.750	0.750	RND Ø0.390

**APPROVED FOR PRODUCTION**  
**APPROUVÉ POUR PRODUCTION**  
 SIGNATURE: \_\_\_\_\_  
 NAME / NOM: \_\_\_\_\_  
 DATE: \_\_\_\_\_  
 Please visit: [www.boxcadexm.com](http://www.boxcadexm.com)



BACK

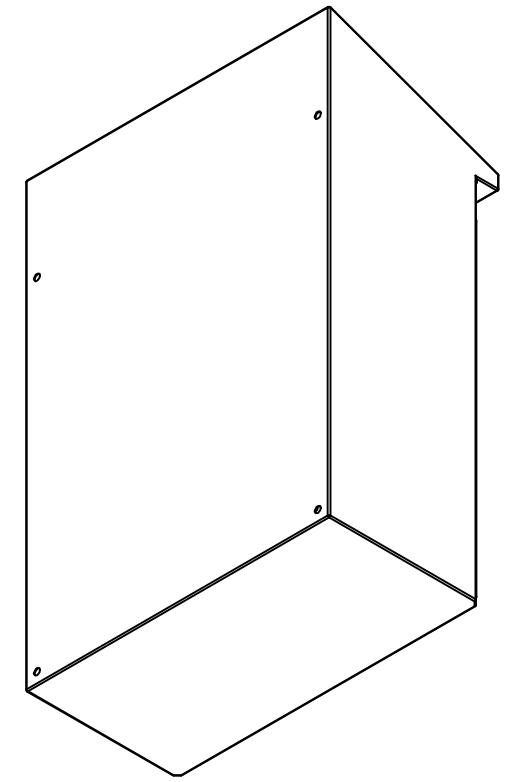
	Description	Status	
	5412ESSHY 24" x 20" x 10" Body	(NULL)	
	Part Number Numéro Pièce	Rev.	5
	<b>5412ESSHY242010</b>	<b>0</b>	11

This drawing is confidential and must not be reproduced or used without the consent of EXM

Ce dessin est confidentiel et ne doit pas être reproduit ou utilisé sans le consentement de EXM


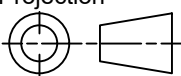
**APPROVED FOR PRODUCTION**  
**APPROUVÉ POUR PRODUCTION**  
 SIGNATURE: \_\_\_\_\_  
 NAME / NOM: \_\_\_\_\_  
 DATE: \_\_\_\_\_  
 Please visit: [www.boxcadexm.com](http://www.boxcadexm.com)

No.	Revisions	Date	By/Par



Isometric View

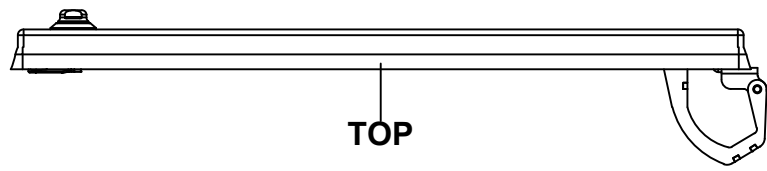


 Tél: (450) 979-4373 Fax: (450) 979-4626 <a href="http://www.exmweb.com">www.exmweb.com</a>	Flatness Aplatissement	Max 3.0mm
	Projection	
Customer Client	Date	
Drawn By Dessiné Par	BoxCad: janicepongexm	Date 13-Nov-25
Material Matière	16 Ga Stainless Steel 304 (1.4mm)	
Color Couleur	Unpainted	Finish Fini Brushed
Description	Detail Rev.	
5412ESSHY 24" x 20" x 10" Body		
Part Number Numéro Pièce	Rev.	6
<b>5412ESSHY242010</b>	<b>0</b>	11

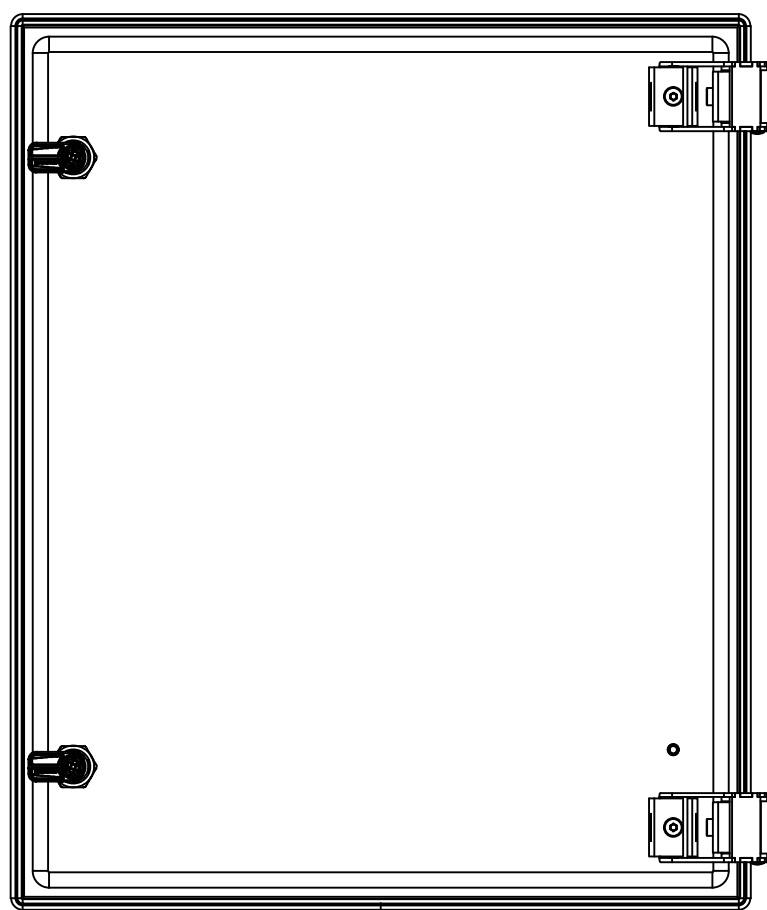
Qty	Part Number	Rev	Description
1	STK-Q-16085	0	Ground Stud M6 x 16mm Stainless Steel
4	STK-Q-16020	1	Stud M8 x 35mm Stainless Steel
1	25-185388B-P	0	5412ESSHY 24" x 20" x 10" Body Part
Parts List			

This drawing is confidential and must not be reproduced or used without the consent of EXM

Ce dessin est confidentiel et ne doit pas être reproduit ou utilisé sans le consentement de EXM



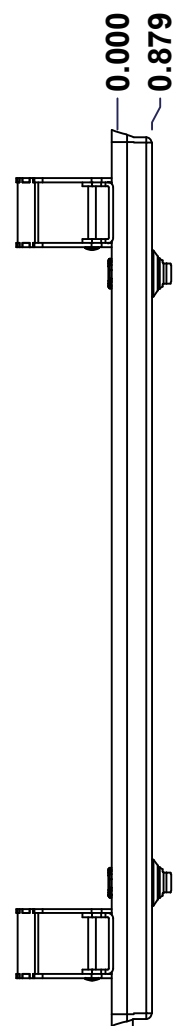
TOP



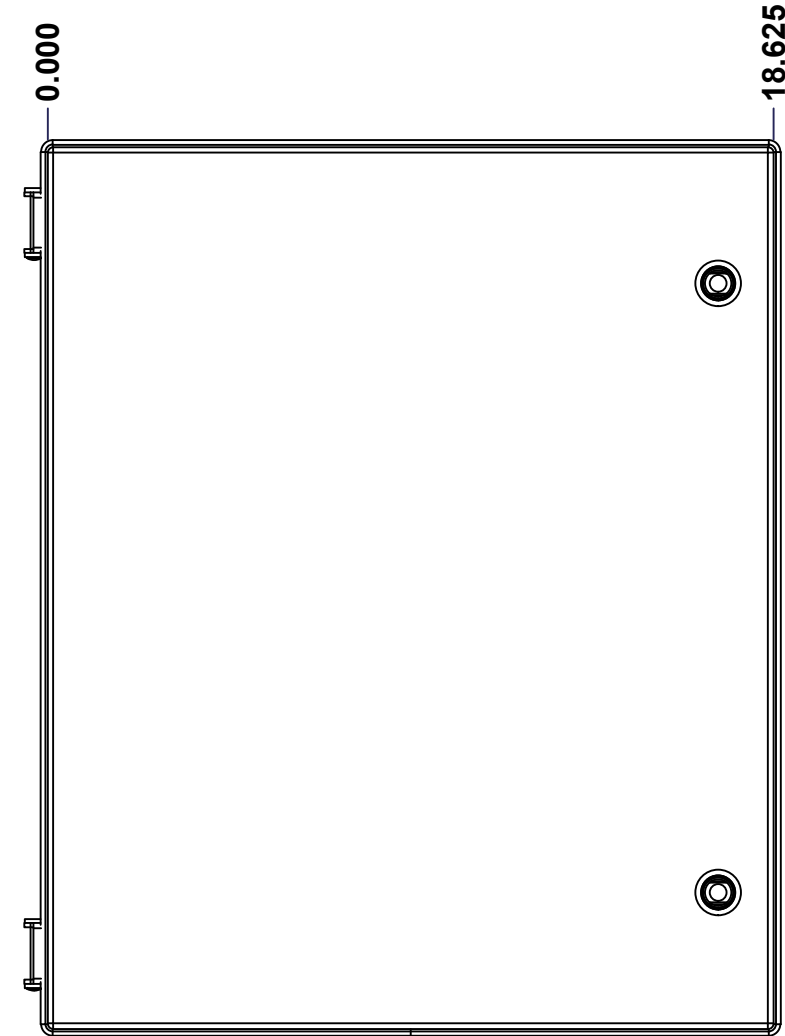
BACK



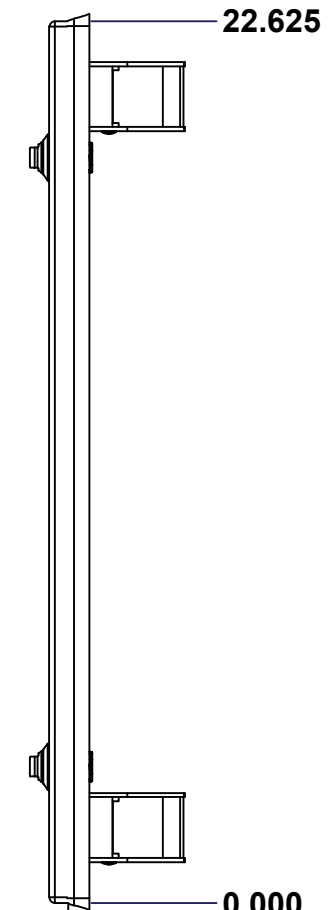
BOTTOM



LEFT



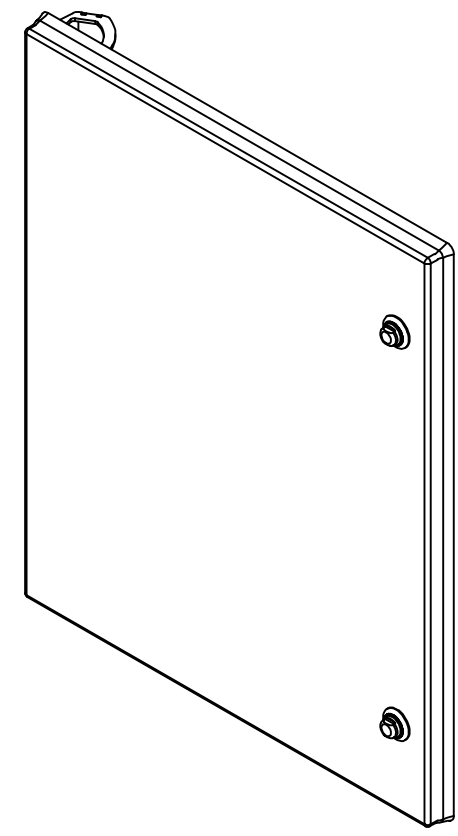
FRONT



RIGHT


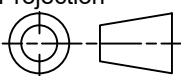
**APPROVED FOR PRODUCTION**  
**APPROUVÉ POUR PRODUCTION**  
 SIGNATURE: \_\_\_\_\_  
 NAME / NOM: \_\_\_\_\_  
 DATE: \_\_\_\_\_  
 Please visit: [www.boxcadexm.com](http://www.boxcadexm.com)

No.	Revisions	Date	By/Par



Isometric View



 Tél: (450) 979-4373 Fax: (450) 979-4626 <a href="http://www.exmweb.com">www.exmweb.com</a>		Flatness Aplatissement Max 3.0mm Projection 
Customer Client	Date	
Drawn By Dessiné Par	BoxCad: janicepongexm	Date 13-Nov-25
Material Matière	16 Ga Stainless Steel 304 (1.4mm)	
Color Couleur	Unpainted	Finish Fini Brushed
Description	Detail Rev.	
5412ESSHY 24" x 20" Cover		
Part Number Numéro Pièce	Rev.	7
5412ESSHY242010	0	11

SEE BILL OF MATERIAL ON LAST PAGE

This drawing is confidential and must not be reproduced or used without the consent of EXM

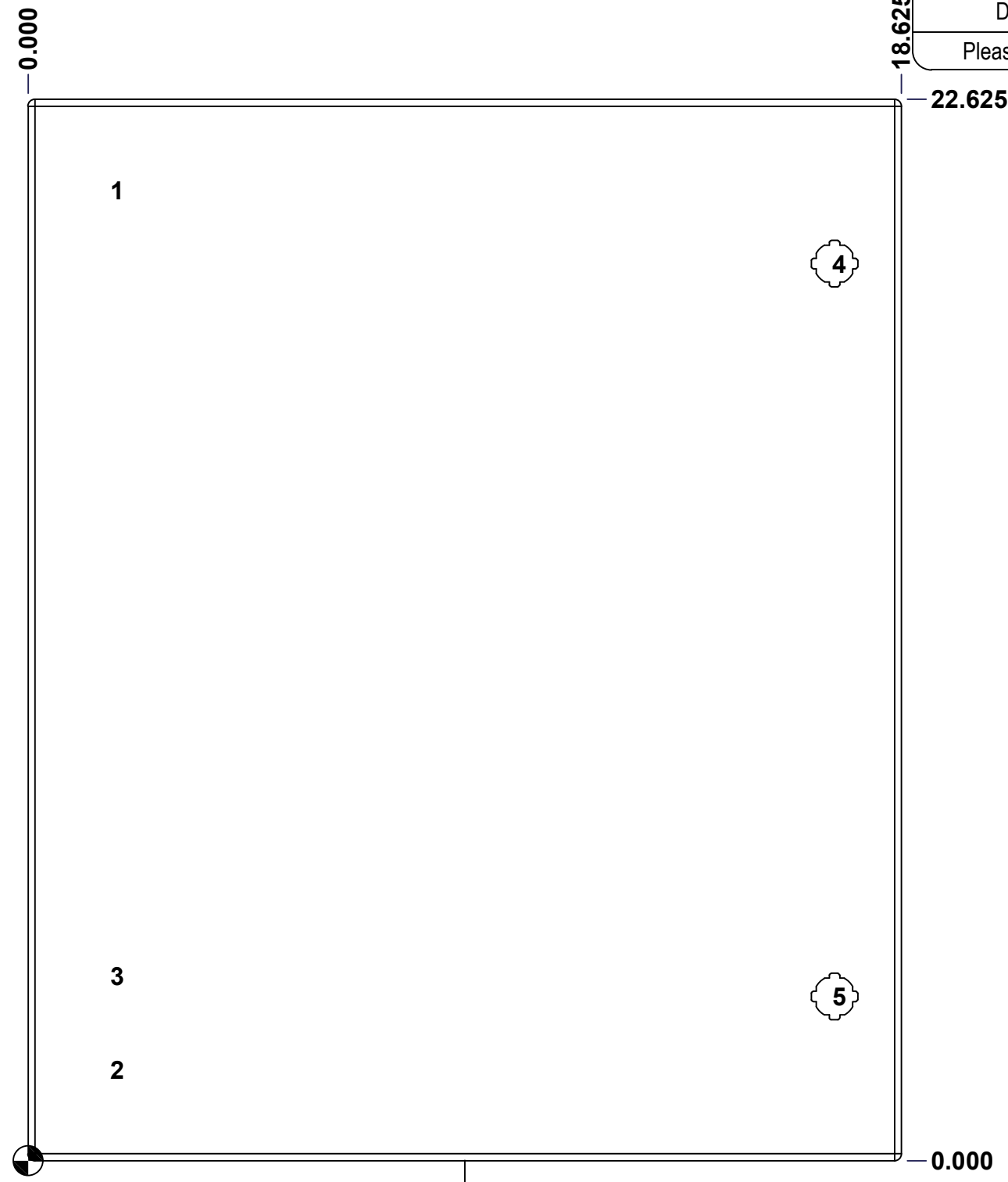
Ce dessin est confidentiel et ne doit pas être reproduit ou utilisé sans le consentement de EXM

**STANDARD FEATURES ARE NOT LISTED IN THIS HOLE TABLE**

**HOLE TABLE - FRONT VIEW (CUSTOM FEATURE ONLY)**

CUT-OUT	XDIM	YDIM	DESCRIPTION
1	1.803	20.687	STANDOFF M6 x 10mm (Inside)
2	1.803	1.938	STANDOFF M6 x 10mm (Inside)
3	1.803	3.938	GND STUD M6 x 16mm (Inside)
4	17.201	19.125	LOCK 880 SCQ4HY-HSW13 @ 0.0°
5	17.201	3.500	LOCK 880 SCQ4HY-HSW13 @ 0.0°

**APPROVED FOR PRODUCTION**  
**APPROUVÉ POUR PRODUCTION**  
 SIGNATURE: \_\_\_\_\_  
 NAME / NOM: \_\_\_\_\_  
 DATE: \_\_\_\_\_  
 Please visit: [www.boxcadexm.com](http://www.boxcadexm.com)



FRONT

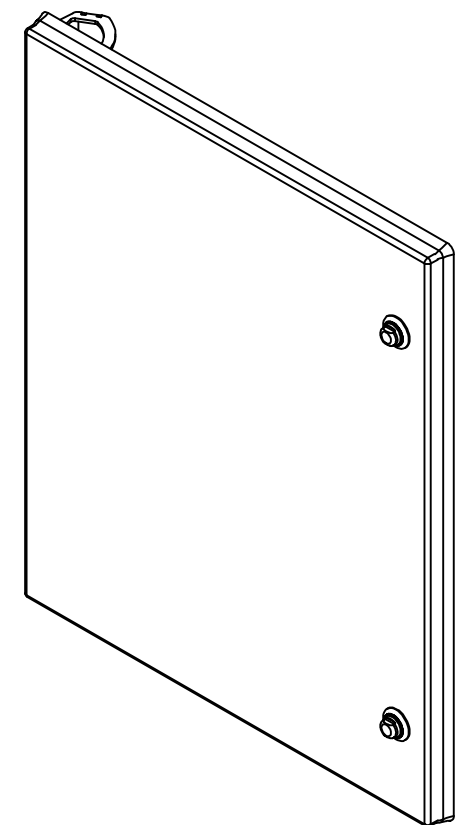
	Description	Status	
	5412ESSHY 24" x 20" Cover	(NULL)	
	Part Number Numéro Pièce	Rev.	
	<b>5412ESSHY242010</b>	<b>0</b>	8 / 11

This drawing is confidential and must not be reproduced or used without the consent of EXM

Ce dessin est confidentiel et ne doit pas être reproduit ou utilisé sans le consentement de EXM

**APPROVED FOR PRODUCTION**  
**APPROUVÉ POUR PRODUCTION**  
 SIGNATURE: \_\_\_\_\_  
 NAME / NOM: \_\_\_\_\_  
 DATE: \_\_\_\_\_  
 Please visit: [www.boxcadexm.com](http://www.boxcadexm.com)

No.	Revisions	Date	By/Par



Isometric View

**EXM**  
 Tél: (450) 979-4373  
 Fax: (450) 979-4626  
[www.exmweb.com](http://www.exmweb.com)

Flatness  
 Aplatissement  
 Max 3.0mm

Projection

Customer Client \_\_\_\_\_ Date \_\_\_\_\_  
 Drawn By Dessiné Par BoxCad: janicepongexm Date 13-Nov-25

Material Matière 16 Ga Stainless Steel 304 (1.4mm)

Color Couleur Unpainted Finish Fini Brushed

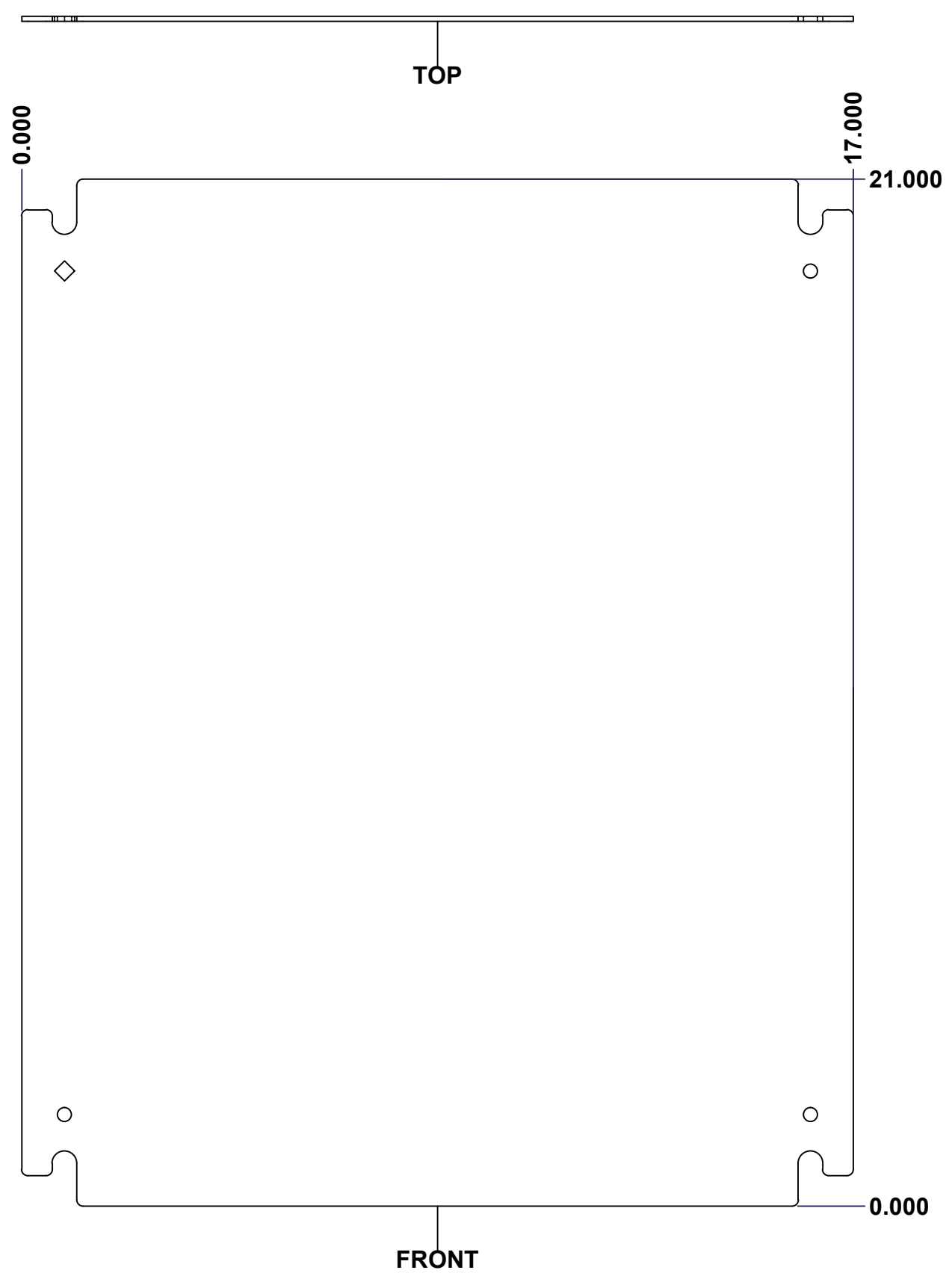
Description 5412ESSHY 24" x 20" Cover Detail Rev. \_\_\_\_\_

Part Number Numéro Pièce **5412ESSHY242010** Rev. **0** 9/11

QTY	Part Number	Rev	Description
2	880SCQ4HY-HSW13	0	Hygienic SW13 Stainless Steel 1/4 Turn Lock
1	STK-Q-16085	0	Ground Stud M6 x 16mm Stainless Steel
2	STK-Q-08500	4	Stainless Steel Standoff M6 x 10mm
2	STK-Q-04051-08	1	M6 x 8mm Stainless Steel Hexagon Socket Head Machine Screw with Nyseal
2	STK-A-33013	2	Hygienic Hinge Assembly
1	25-185388_STK-G-02730	0	5412ESSHY 24" x 20" Cover Gasket Part
1	25-185388G	0	5412ESSHY 24" x 20" Cover Gasket Part
1	25-185388C-P	0	5412ESSHY 24" x 20" Cover Part
Parts List			

This drawing is confidential and must not be reproduced or used without the consent of EXM

Ce dessin est confidentiel et ne doit pas être reproduit ou utilisé sans le consentement de EXM



**APPROVED FOR PRODUCTION**  
**APPROUVÉ POUR PRODUCTION**  
 SIGNATURE: \_\_\_\_\_  
 NAME / NOM: \_\_\_\_\_  
 DATE: \_\_\_\_\_  
 Please visit: [www.boxcadexm.com](http://www.boxcadexm.com)

No.	Revisions	Date	By/Par

**Isometric View**

Tél: (450) 979-4373 Fax: (450) 979-4626 <a href="http://www.exmweb.com">www.exmweb.com</a>		Flatness Aplatissement Max 3.0mm Projection 
Customer Client	Date	Date 13-Nov-25
Drawn By Dessiné Par	BoxCad: janicepongexm	
Material Matière	12 Ga Galvanized (2.5mm)	
Color Couleur	Unpainted	Finish Fini Unpainted
Description	Detail Rev.	
5412ESSHY 24" x 20" Inner Panel		
Part Number Numéro Pièce	Rev.	10
<b>5412ESSHY242010</b>	<b>0</b>	11

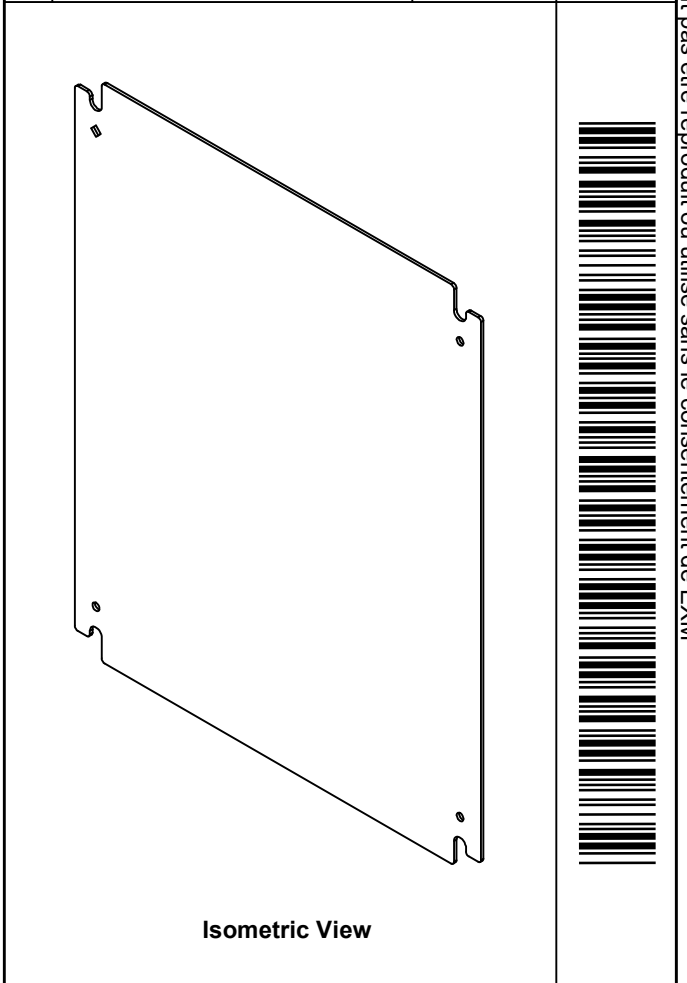
**SEE BILL OF MATERIAL ON LAST PAGE**


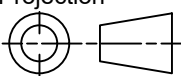
This drawing is confidential and must not be reproduced or used without the consent of EXM

Ce dessin est confidentiel et ne doit pas être reproduit ou utilisé sans le consentement de EXM

**APPROVED FOR PRODUCTION**  
**APPROUVÉ POUR PRODUCTION**  
 SIGNATURE: \_\_\_\_\_  
 NAME / NOM: \_\_\_\_\_  
 DATE: \_\_\_\_\_  
 Please visit: [www.boxcadexm.com](http://www.boxcadexm.com)

No.	Revisions	Date	By/Par



 Tél: (450) 979-4373 Fax: (450) 979-4626 <a href="http://www.exmweb.com">www.exmweb.com</a>		Flatness Aplatissement Max 3.0mm
Customer Client		Projection 
Drawn By Dessiné Par BoxCad: janicepongexm		Date 13-Nov-25
Material Matière 12 Ga Galvanized (2.5mm)		
Color Couleur Unpainted	Finish Fini Unpainted	
Description 5412ESSHY 24" x 20" Inner Panel		Detail Rev.
Part Number Numéro Pièce <b>5412ESSHY242010</b>		Rev. 11 <b>0</b>

Qty	Part Number	Rev	Description
1	25-185388IP-P	0	5412ESSHY 24" x 20" Inner Panel Part
Parts List			