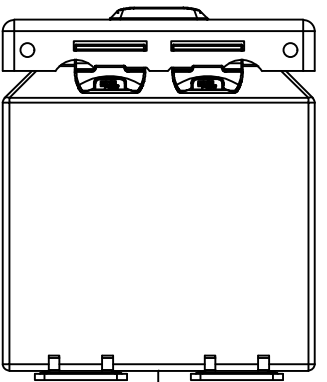
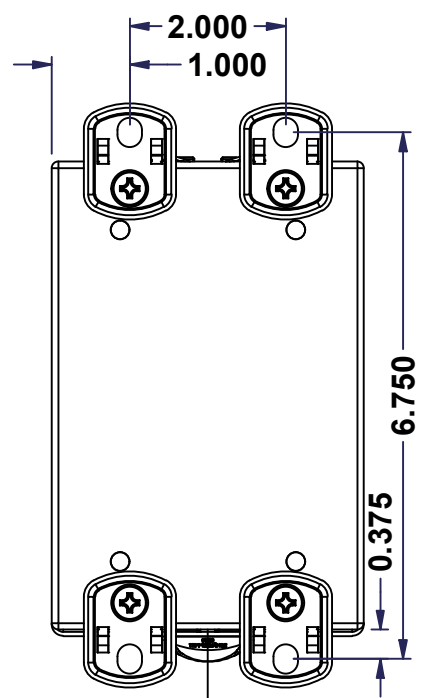


This drawing is confidential and must not be reproduced or used without the consent of EXM

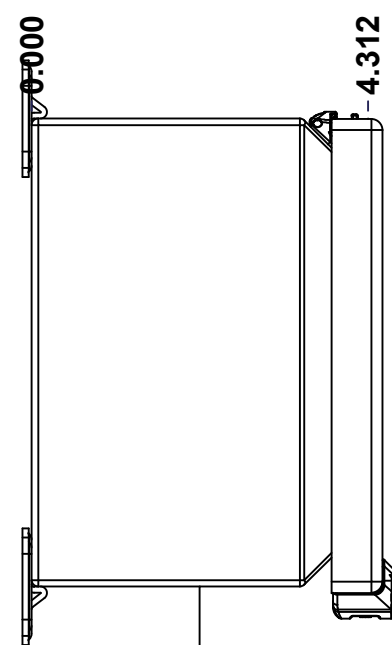
Ce dessin est confidentiel et ne doit pas être reproduit ou utilisé sans le consentement de EXM



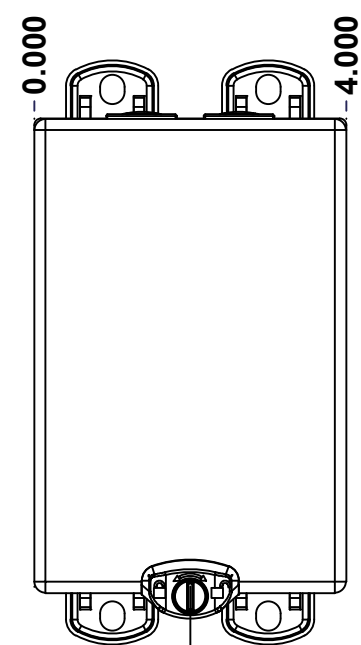
TOP



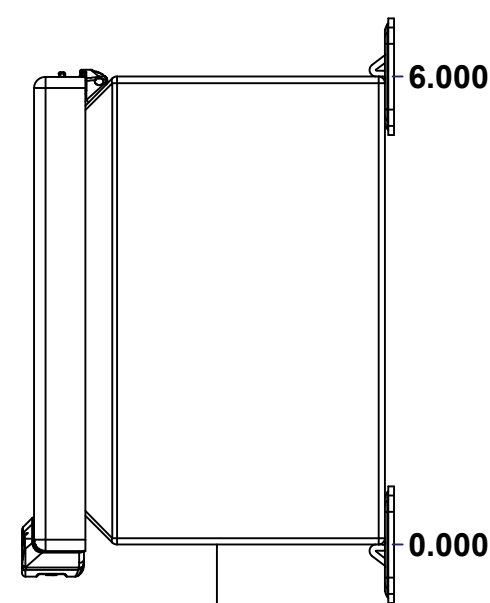
BACK



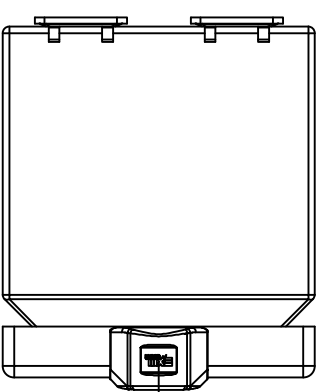
LEFT



FRONT

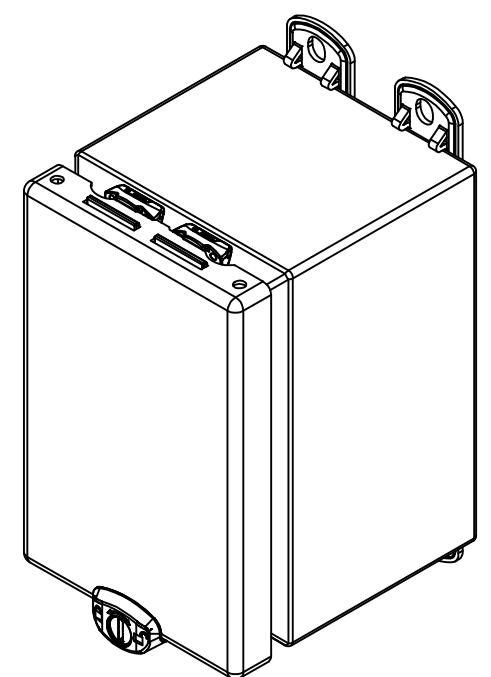


RIGHT




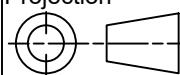
BOTTOM

| No. | Revisions | Date | By/Par |
|-----|-----------|------|--------|
|     |           |      |        |
|     |           |      |        |
|     |           |      |        |
|     |           |      |        |



Isometric View



|  |                                   |   |
|--|-----------------------------------|---|
|  Tél: (450) 979-4373<br>Fax: (450) 979-4626<br><a href="http://www.exmweb.com">www.exmweb.com</a> |                                   | Flatness<br>Aplatissement<br>Max 3.0mm<br>Projection<br> |
| Customer<br>Client   |                                   | Date  |
| Drawn By<br>Dessiné Par  | BoxCad: BoxCad                    | Date 29-Jul-25  |
| Material<br>Matière  | 16 Ga Stainless Steel 304 (1.4mm) |   |
| Color<br>Couleur   | Asa-61 Grey                       | Finish<br>Fini Smooth   |
| Description<br>5412ESSLC 6" x 4" x 4" Assembly   |                                   | Detail Rev.   |
| Part Number<br>Numéro Pièce  | 5412ESSLC060404P                  | Rev. 1<br>0   |

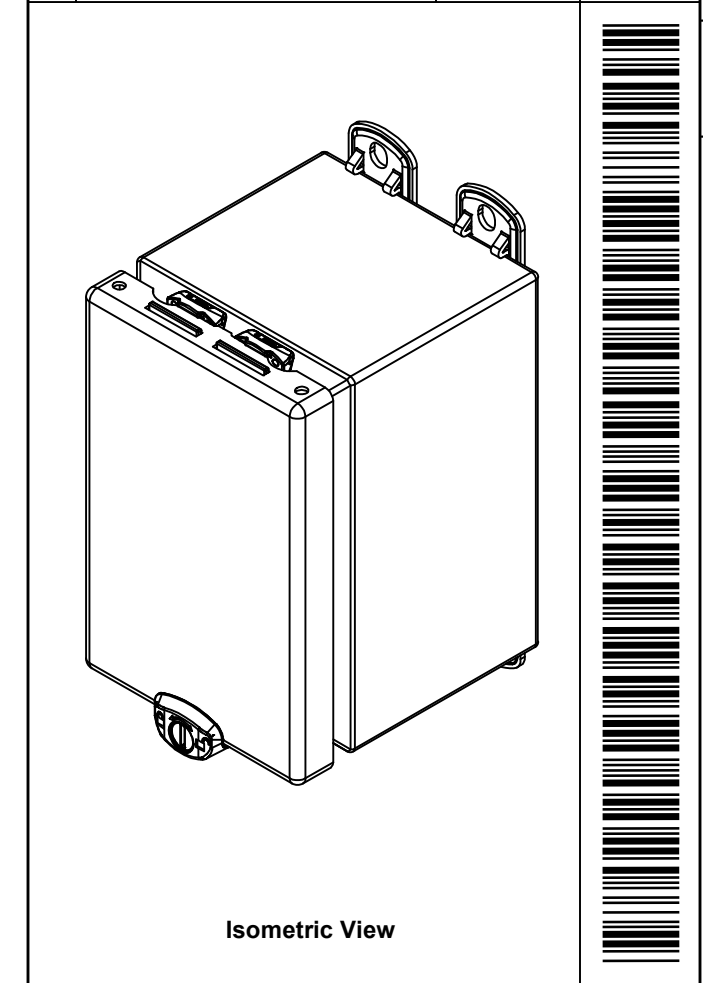
SEE BILL OF MATERIAL ON LAST PAGE


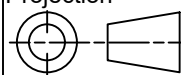
This drawing is confidential and must not be reproduced or used without the consent of EXM

Ce dessin est confidentiel et ne doit pas être reproduit ou utilisé sans le consentement de EXM

| NOTE |  |
|------|--|
| ITEM | DESCRIPTION                                    |
| 1    | NEMA 4X Enclosure (IP66)                       |
| 2    | C/W Standard ground standoffs on box and cover |
| 3    | W/O Standard door stiffener                    |
| 4    | C/W Standard inner panel (Included)            |
| 5    | C/W Standard inner panel mounting standoffs    |
| 6    | C/W 885 ESCHMF2 Mounting Feet (Installed)      |

| No. | Revisions | Date | By/Par |
|-----|-----------|------|--------|
|     |           |      |        |
|     |           |      |        |
|     |           |      |        |
|     |           |      |        |
|     |           |      |        |
|     |           |      |        |



|  |   |
|--|---|
|  Tél: (450) 979-4373<br>Fax: (450) 979-4626<br><a href="http://www.exmweb.com">www.exmweb.com</a> | Flatness<br>Aplatissement<br>Max 3.0mm  |
|  | Projection<br> |
| Customer Client  | Date  |
| Drawn By<br>Dessiné Par BoxCad: BoxCad   | Date 29-Jul-25  |
| Material<br>Matière 16 Ga Stainless Steel 304 (1.4mm)  |   |

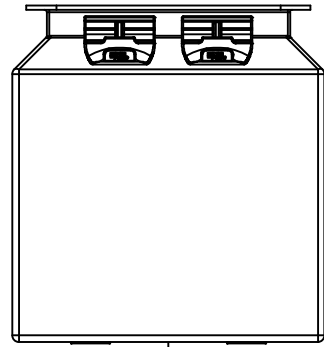
| PACKING         |     |  |
|-----------------|-----|--|
| ITEM            | QTY | DESCRIPTION                                |
| STK-E-04302     | 1   | CARTON 5412 ESCH060404                     |
| Plastic bag     | 1   | To protect cover surface and inside gasket |
| Packaging label | 1   | White label with product number            |
| STK-S-01100     | 1   | ESCH EXM SQUARE STICKER                    |

|            |                   |     |  |
|------------|-------------------|-----|--|
| 1          | 5412ESSLC060404PC | 0   | 5412ESSLC 6" x 4" Cover                |
| 1          | 885 ESSCHMFQ      | 0   | 5412 ESSCH Mounting Feet Accessory Kit |
| 1          | STK-K-02935       | 0   | 5412 ESSLC Accessory Kit               |
| 8          | STK-Q-07210       | 0   | Flange Lock Nut M6                     |
| 1          | 880 SP0604G       | 0   | 880 SP0604G - Inner Panel              |
| 1          | 5412ESSLC060404PB | 0   | 5412ESSLC 6" x 4" x 4" Body            |
| Qty        | Part Number       | Rev | Description                            |
| Parts List |                   |     |  |

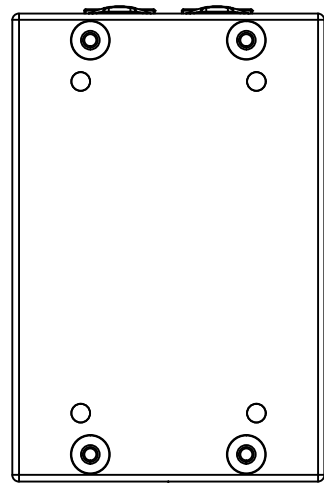
|  |                       |
|--|-----------------------|
| Color<br>Couleur Asa-61 Grey                           | Finish<br>Fini Smooth |
| Description<br>5412ESSLC 6" x 4" x 4" Assembly         | Detail Rev.           |
| Part Number<br>Numéro Pièce<br><b>5412ESSLC060404P</b> | Rev. 2<br><b>0</b> 10 |

This drawing is confidential and must not be reproduced or used without the consent of EXM

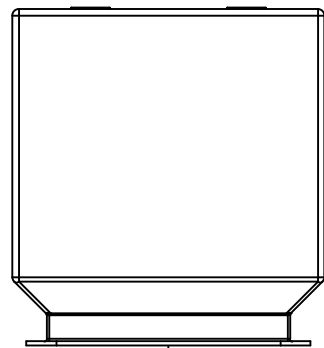
Ce dessin est confidentiel et ne doit pas être reproduit ou utilisé sans le consentement de EXM



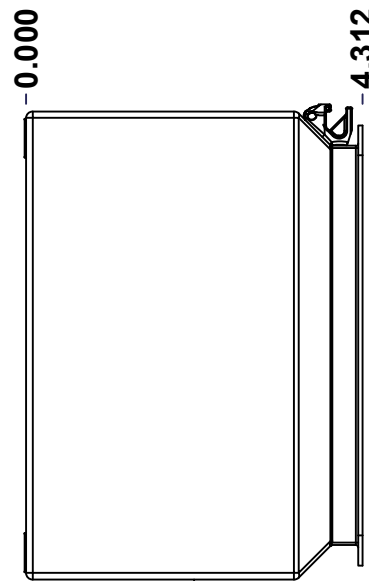
TOP



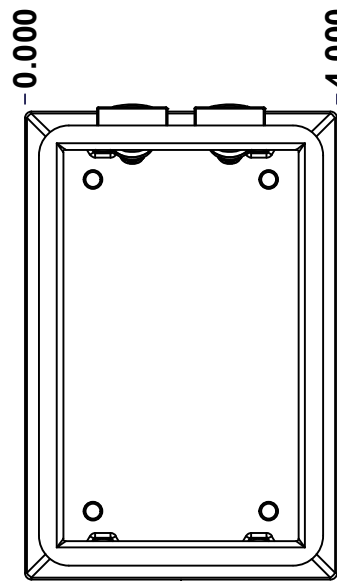
BACK



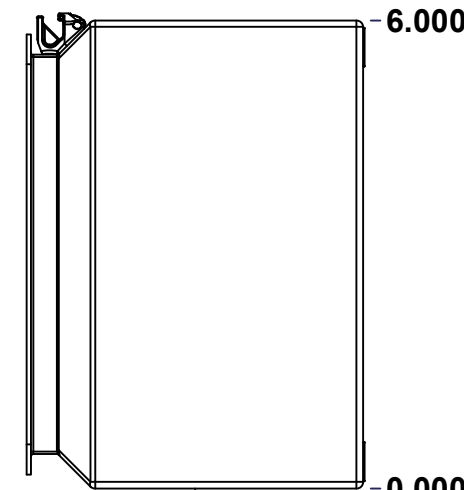
BOTTOM



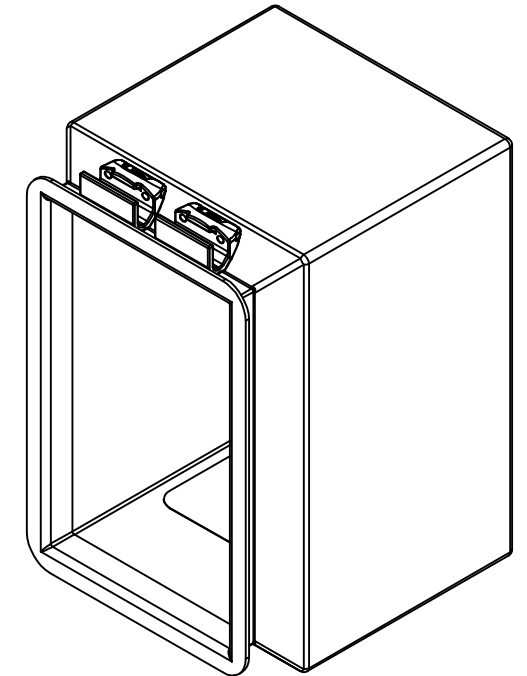
LEFT



FRONT




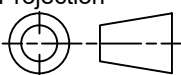
RIGHT



Isometric View



| No. | Revisions | Date | By/Par |
|-----|-----------|------|--------|
|     |           |      |        |
|     |           |      |        |
|     |           |      |        |
|     |           |      |        |

|  |                                   |   |
|--|-----------------------------------|---|
|  Tél: (450) 979-4373<br>Fax: (450) 979-4626<br><a href="http://www.exmweb.com">www.exmweb.com</a> |                                   | Flatness<br>Aplatissement<br>Max 3.0mm<br>Projection<br> |
| Customer Client  | Date                              |   |
| Drawn By<br>Dessiné Par  | BoxCad: BoxCad                    | Date 29-Jul-25  |
| Material<br>Matière  | 16 Ga Stainless Steel 304 (1.4mm) |   |
| Color<br>Couleur   | Asa-61 Grey                       | Finish<br>Fini Smooth   |
| Description  | Detail Rev.                       |   |
| 5412ESSLC 6" x 4" x 4" Body  |                                   |   |
| Part Number<br>Numéro Pièce  | Rev.                              | 3   |
| 5412ESSLC060404PB  | 0                                 | 10  |

SEE BILL OF MATERIAL ON LAST PAGE

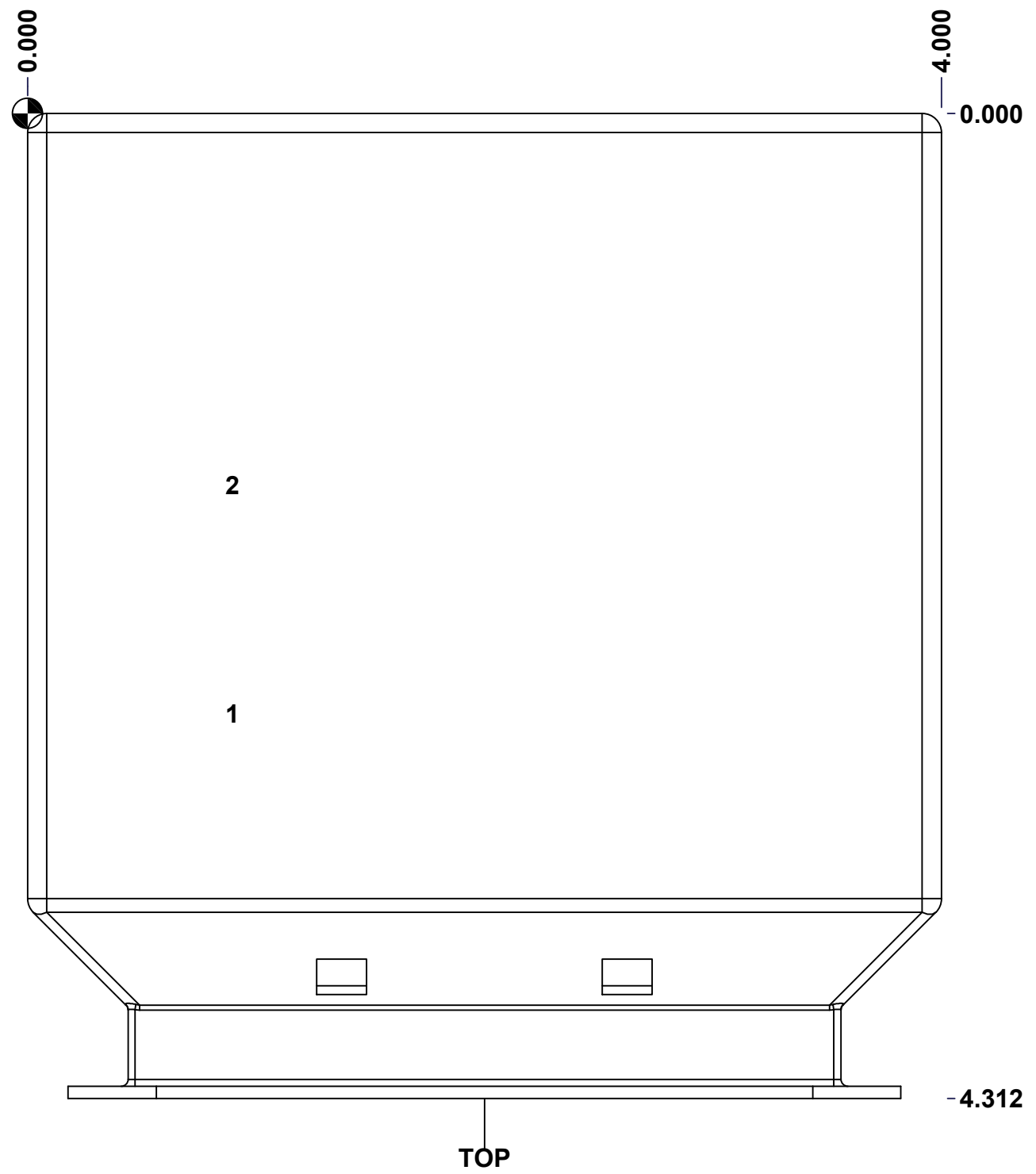
This drawing is confidential and must not be reproduced or used without the consent of EXM

Ce dessin est confidentiel et ne doit pas être reproduit ou utilisé sans le consentement de EXM

**STANDARD FEATURES ARE NOT LISTED IN THIS HOLE TABLE**

**HOLE TABLE - TOP VIEW (CUSTOM FEATURE ONLY)**

| CUT-OUT | XDIM  | YDIM  | DESCRIPTION                 |
|---------|-------|-------|-----------------------------|
| 1       | 0.875 | 2.625 | STANDOFF M6 x 10mm (Inside) |
| 2       | 0.875 | 1.625 | STANDOFF M6 x 10mm (Inside) |

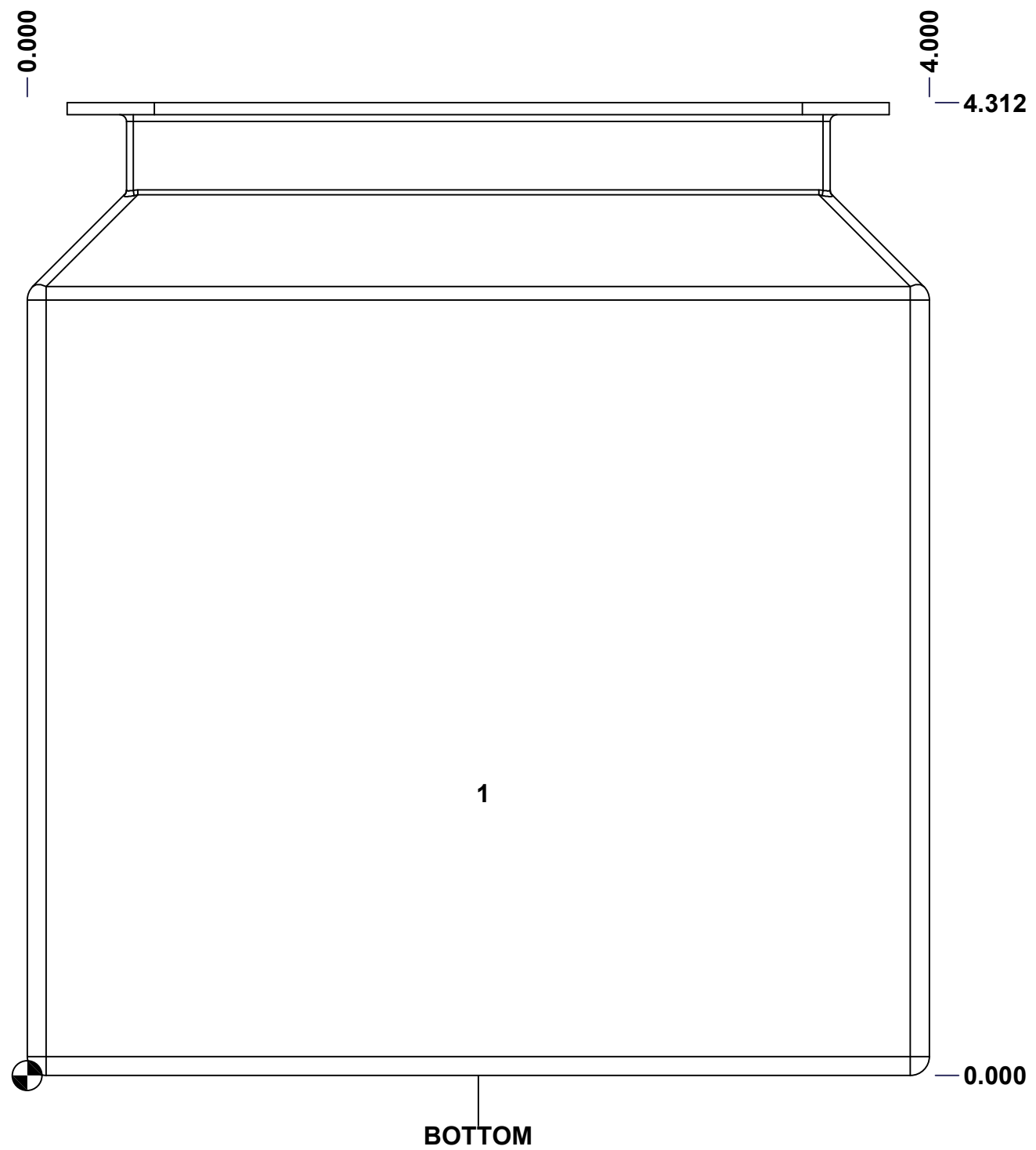


|   |                             |        |
|---|-----------------------------|--------|
|   | Description                 | Status |
|   | 5412ESSLC 6" x 4" x 4" Body | (NULL) |
| Part Number<br>Numéro Pièce<br><b>5412ESSLC060404PB</b> | Rev.                        | 4      |
|   | <b>0</b>                    | 10     |

This drawing is confidential and must not be reproduced or used without the consent of EXM

Ce dessin est confidentiel et ne doit pas être reproduit ou utilisé sans le consentement de EXM

| <b>STANDARD FEATURES ARE NOT LISTED IN THIS HOLE TABLE</b> |       |       |             |
|--|-------|-------|-------------|
| <b>HOLE TABLE - BOTTOM VIEW (CUSTOM FEATURE ONLY)</b>      |       |       |             |
| CUT-OUT  | XDIM  | YDIM  | DESCRIPTION |
| 1  | 2.000 | 1.250 | LABEL_EXM   |



|  |                             |              |
|--|-----------------------------|--------------|
|  | Description                 | Status       |
|  | 5412ESSLC 6" x 4" x 4" Body | (NULL)       |
|  | Part Number<br>Numéro Pièce | Rev.         |
|  | <b>5412ESSLC060404PB</b>    | <b>0</b> / 5 |
|  |                             | 10           |

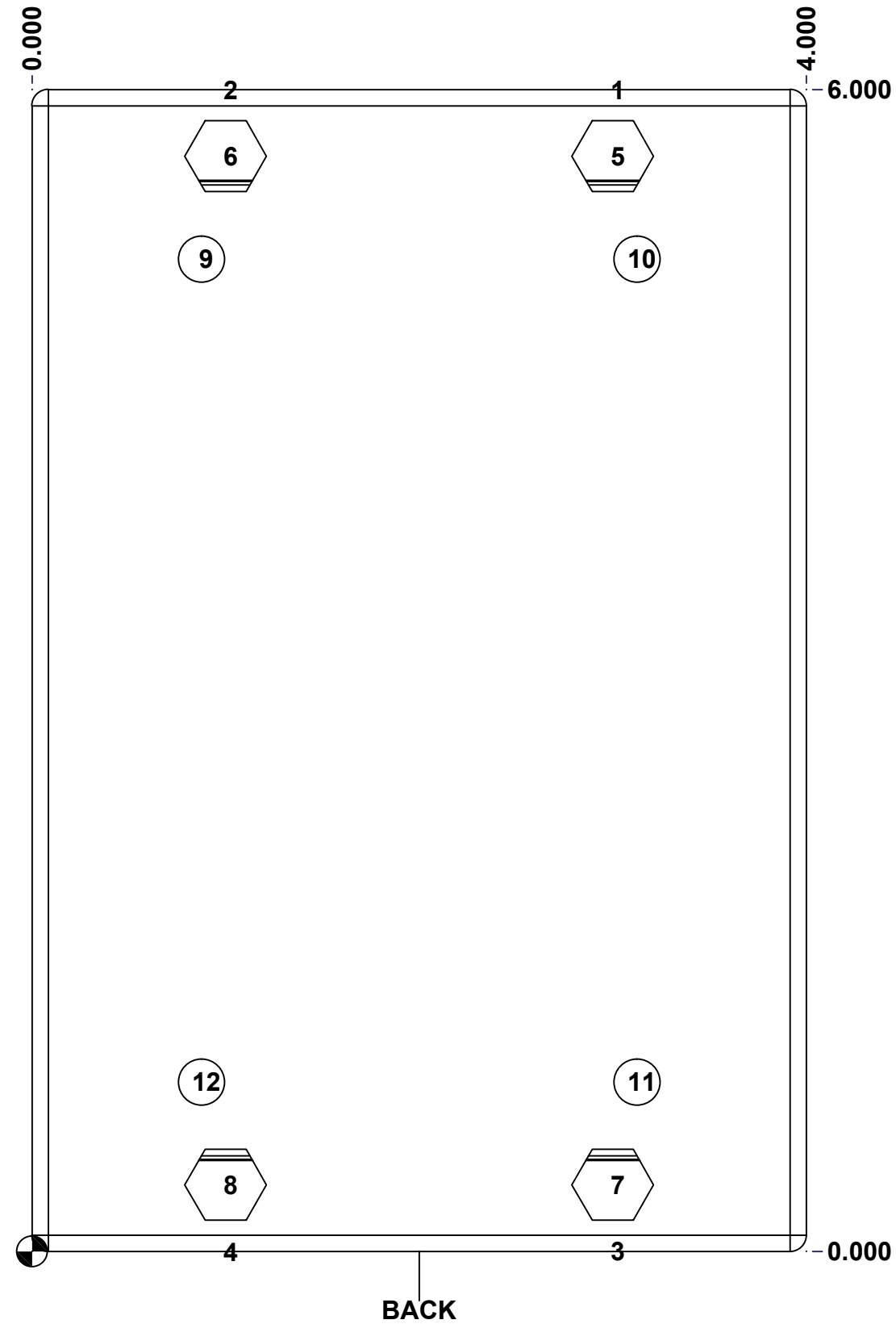
This drawing is confidential and must not be reproduced or used without the consent of EXM

Ce dessin est confidentiel et ne doit pas être reproduit ou utilisé sans le consentement de EXM

**STANDARD FEATURES ARE NOT LISTED IN THIS HOLE TABLE**

**HOLE TABLE - BACK VIEW (CUSTOM FEATURE ONLY)**

| CUT-OUT | XDIM  | YDIM  | DESCRIPTION                 |
|---------|-------|-------|-----------------------------|
| 1       | 3.000 | 6.000 | FOOT 885 ESCHMF2            |
| 2       | 1.000 | 6.000 | FOOT 885 ESCHMF2            |
| 3       | 3.000 | 0.000 | FOOT 885 ESCHMF2            |
| 4       | 1.000 | 0.000 | FOOT 885 ESCHMF2            |
| 5       | 3.000 | 5.656 | RIVET NUT M6_FH_CE (Inside) |
| 6       | 1.000 | 5.656 | RIVET NUT M6_FH_CE (Inside) |
| 7       | 3.000 | 0.344 | RIVET NUT M6_FH_CE (Inside) |
| 8       | 1.000 | 0.344 | RIVET NUT M6_FH_CE (Inside) |
| 9       | 0.875 | 5.125 | PEM FHS-M6-20 (Inside)      |
| 10      | 3.125 | 5.125 | PEM FHS-M6-20 (Inside)      |
| 11      | 3.125 | 0.875 | PEM FHS-M6-20 (Inside)      |
| 12      | 0.875 | 0.875 | PEM FHS-M6-20 (Inside)      |

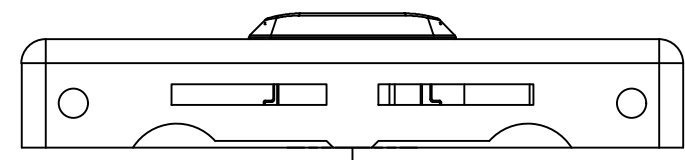


|  |                             |              |
|--|-----------------------------|--------------|
|  | Description                 | Status       |
|  | 5412ESSLC 6" x 4" x 4" Body | (NULL)       |
|  | Part Number<br>Numéro Pièce | Rev.         |
|  | <b>5412ESSLC060404PB</b>    | <b>0</b> / 6 |
|  |                             | 10           |

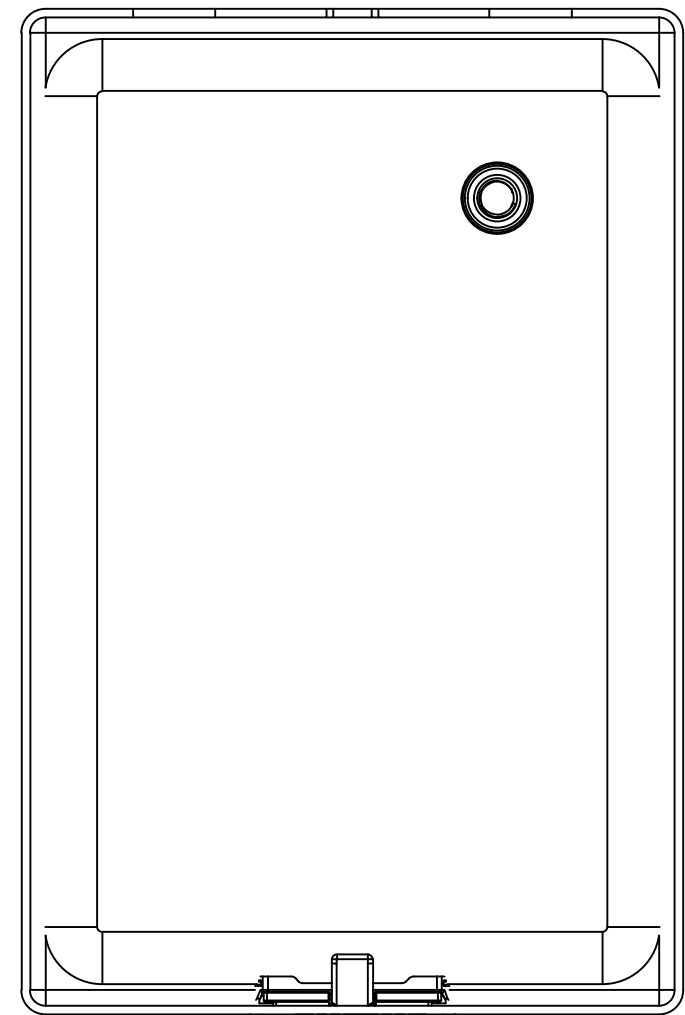


This drawing is confidential and must not be reproduced or used without the consent of EXM

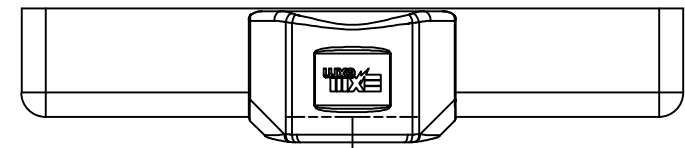
Ce dessin est confidentiel et ne doit pas être reproduit ou utilisé sans le consentement de EXM



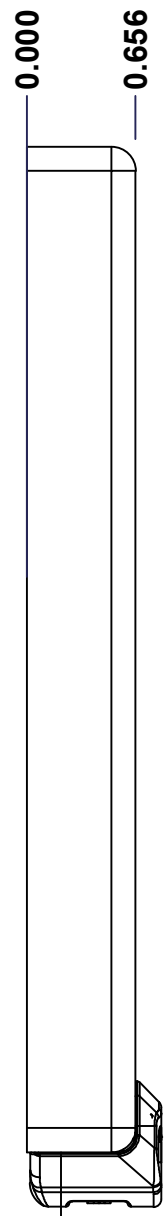
TOP



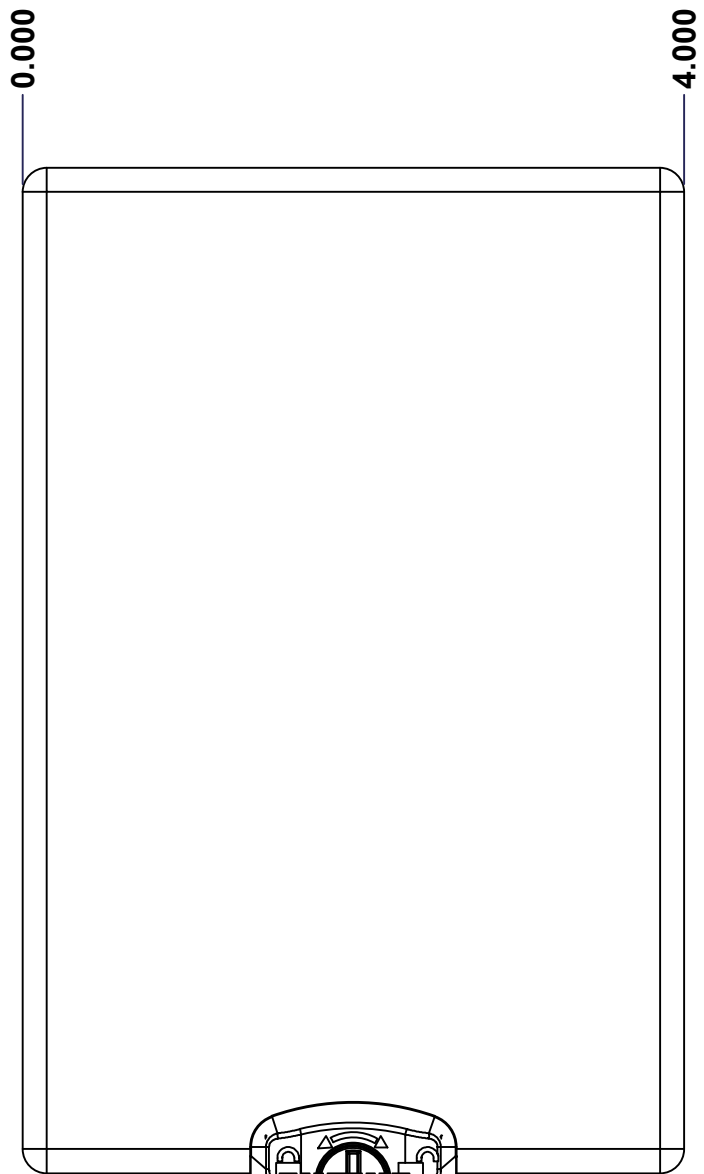
BACK



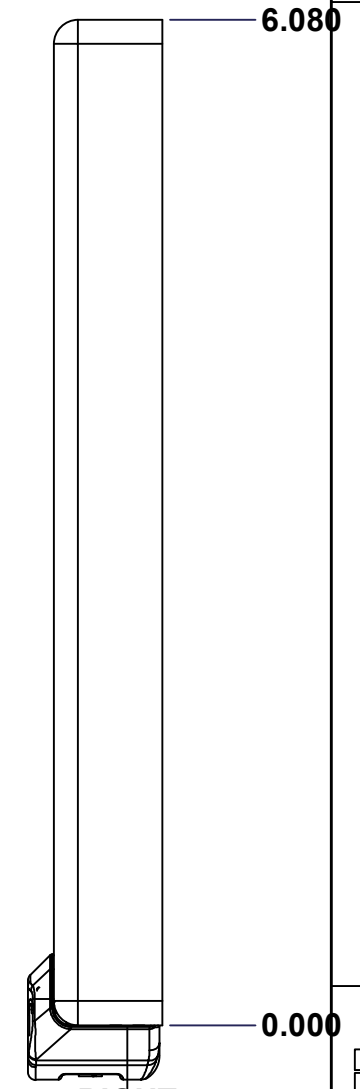
BOTTOM



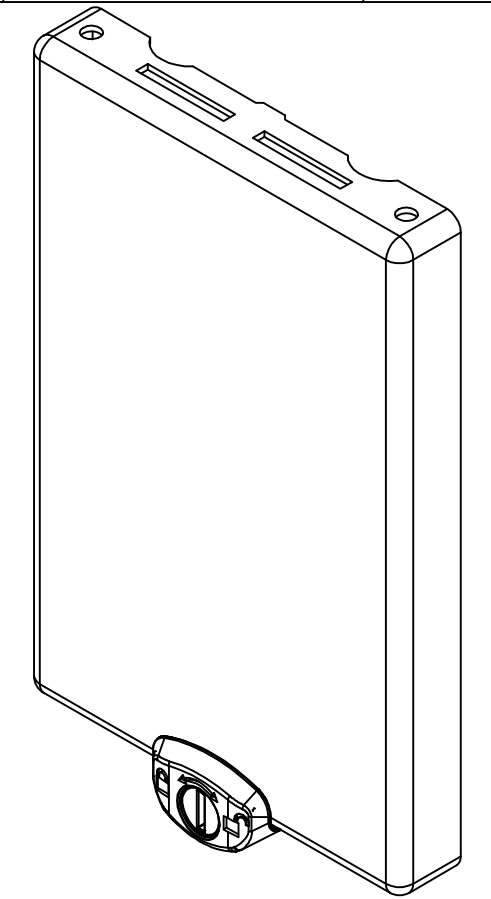
LEFT



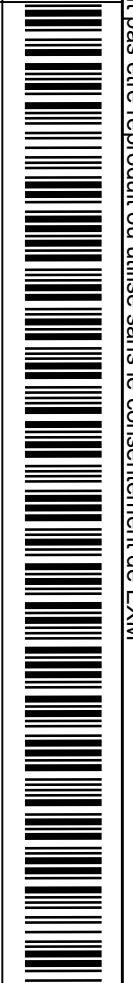
FRONT



RIGHT



Isometric View



| No. | Revisions | Date | By/Par |
|-----|-----------|------|--------|
|     |           |      |        |
|     |           |      |        |
|     |           |      |        |
|     |           |      |        |
|     |           |      |        |

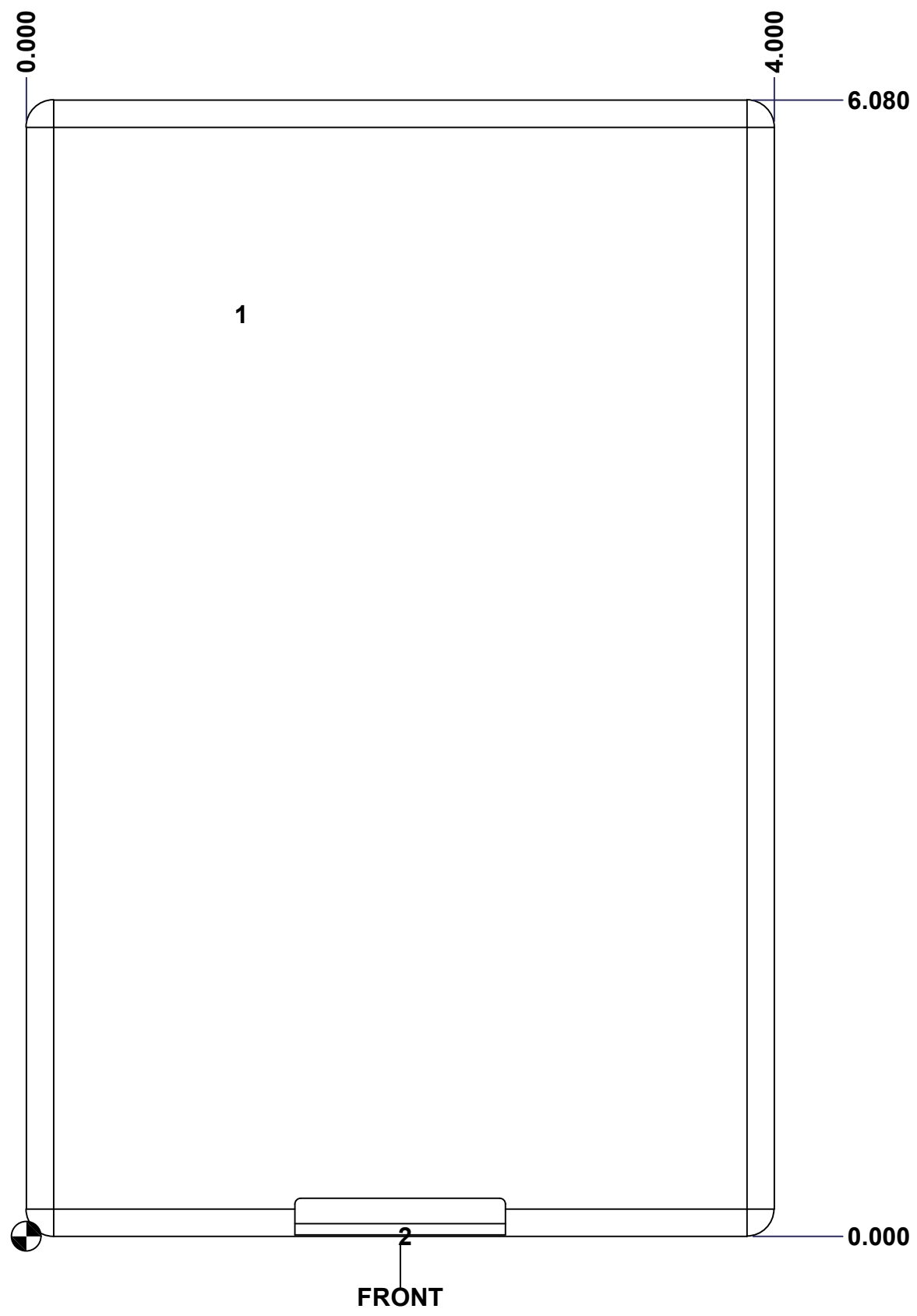
|  |                                   |  |
|--|-----------------------------------|--|
| Tél: (450) 979-4373<br>Fax: (450) 979-4626<br><a href="http://www.exmweb.com">www.exmweb.com</a> |                                   | Flatness<br>Aplatissement<br>Max 3.0mm<br>Projection<br> |
| Customer Client  | Date                              |  |
| Drawn By<br>Dessiné Par  | BoxCad: BoxCad                    | Date 29-Jul-25   |
| Material<br>Matière  | 16 Ga Stainless Steel 304 (1.4mm) |  |
| Color<br>Couleur   | Asa-61 Grey                       | Finish<br>Fini Smooth                                    |
| Description  | Detail Rev.                       |  |
| 5412ESSLC 6" x 4" Cover  |                                   |  |
| Part Number<br>Numéro Pièce  | Rev.                              | 8  |
| 5412ESSLC060404PC  | 0                                 | 10   |

SEE BILL OF MATERIAL ON LAST PAGE

This drawing is confidential and must not be reproduced or used without the consent of EXM

Ce dessin est confidentiel et ne doit pas être reproduit ou utilisé sans le consentement de EXM

| STANDARD FEATURES ARE NOT LISTED IN THIS HOLE TABLE |       |       |                             |
|---|-------|-------|-----------------------------|
| HOLE TABLE - FRONT VIEW (CUSTOM FEATURE ONLY)       |       |       |                             |
| CUT-OUT   | XDIM  | YDIM  | DESCRIPTION                 |
| 1   | 1.125 | 4.935 | STANDOFF M6 x 10mm (Inside) |
| 2   | 2.000 | 0.000 | LOCK 880 SCQ2-SLSS @ 270.0° |

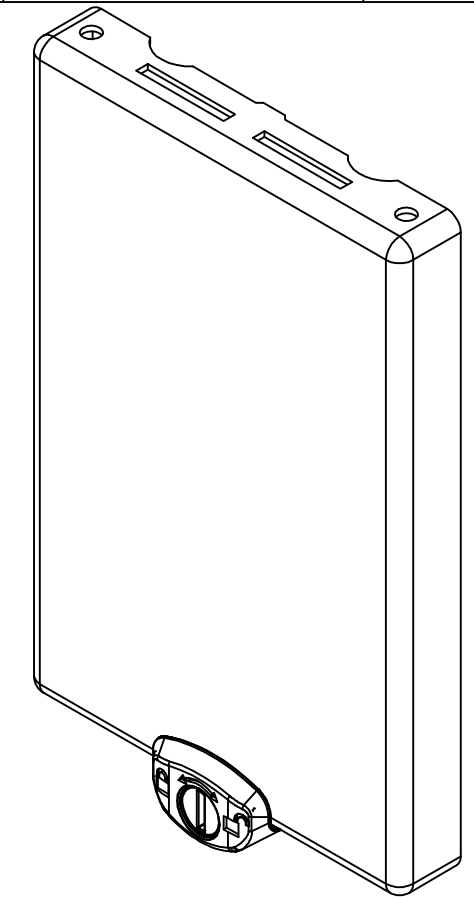


|  |                             |                   |
|--|-----------------------------|-------------------|
|  | Description                 | Status            |
|  | 5412ESSLC 6" x 4" Cover     | (NULL)            |
|  | Part Number<br>Numéro Pièce | Rev.              |
|  | <b>5412ESSLC060404PC</b>    | <b>0</b> / 9 / 10 |

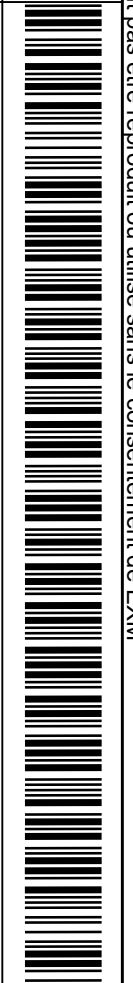
This drawing is confidential and must not be reproduced or used without the consent of EXM

Ce dessin est confidentiel et ne doit pas être reproduit ou utilisé sans le consentement de EXM

| No. | Revisions | Date | By/Par |
|-----|-----------|------|--------|
|     |           |      |        |
|     |           |      |        |
|     |           |      |        |
|     |           |      |        |
|     |           |      |        |



Isometric View

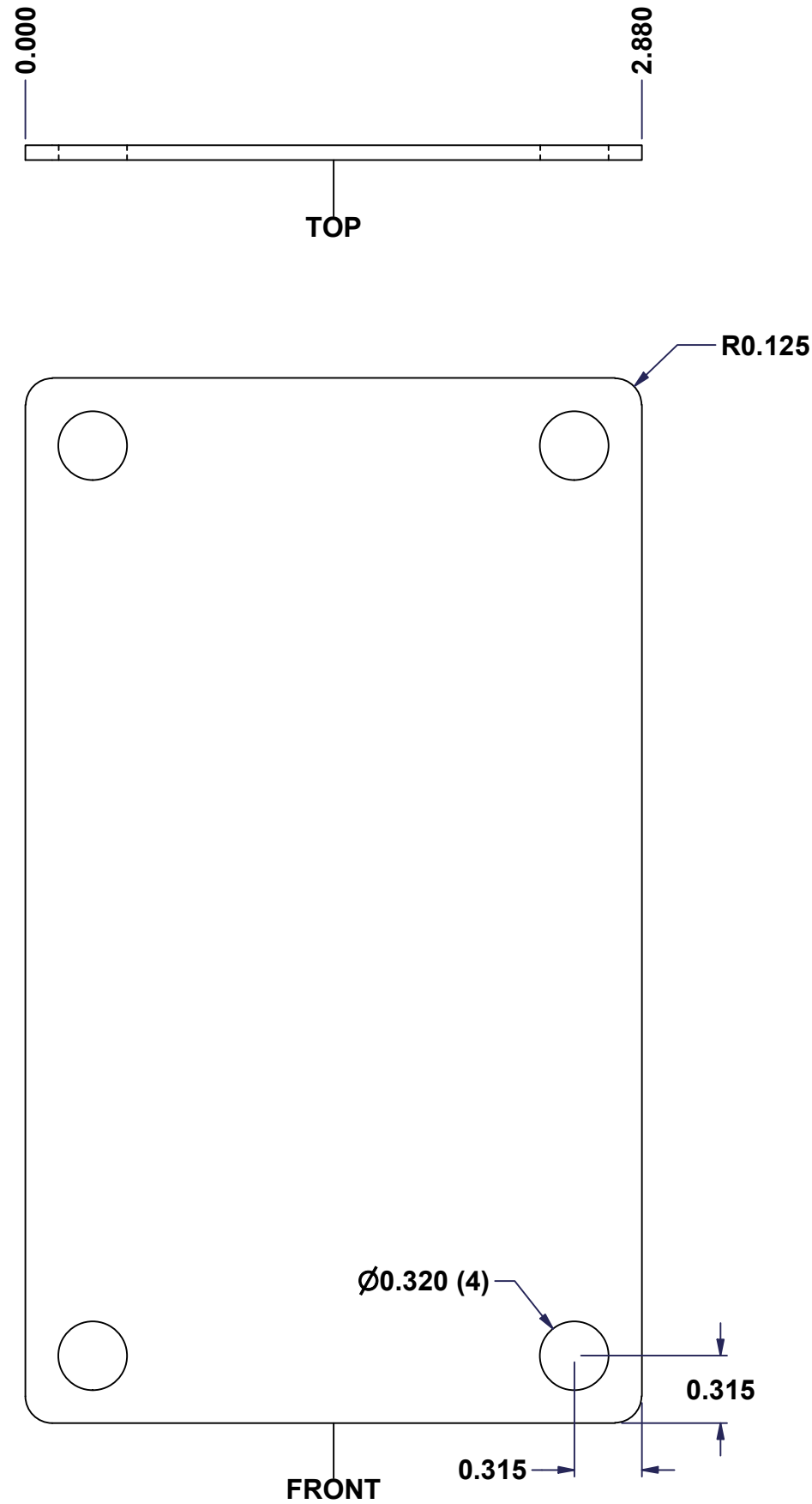


|  |                                   |   |
|--|-----------------------------------|---|
|  Tél: (450) 979-4373<br>Fax: (450) 979-4626<br><a href="http://www.exmweb.com">www.exmweb.com</a> | Flatness<br>Aplatissement         | Max 3.0mm   |
|  | Projection                        |  |
| Customer<br>Client   | Date                              |   |
| Drawn By<br>Dessiné Par  | BoxCad: BoxCad                    | Date 29-Jul-25  |
| Material<br>Matière  | 16 Ga Stainless Steel 304 (1.4mm) |   |
| Color<br>Couleur   | Asa-61 Grey                       | Finish<br>Fini Smooth   |
| Description  | Detail Rev.                       |   |
| 5412ESSLC 6" x 4" Cover  |                                   |   |
| Part Number<br>Numéro Pièce  | Rev.                              | 10  |
| <b>5412ESSLC060404PC</b>   | <b>0</b>                          | 10  |

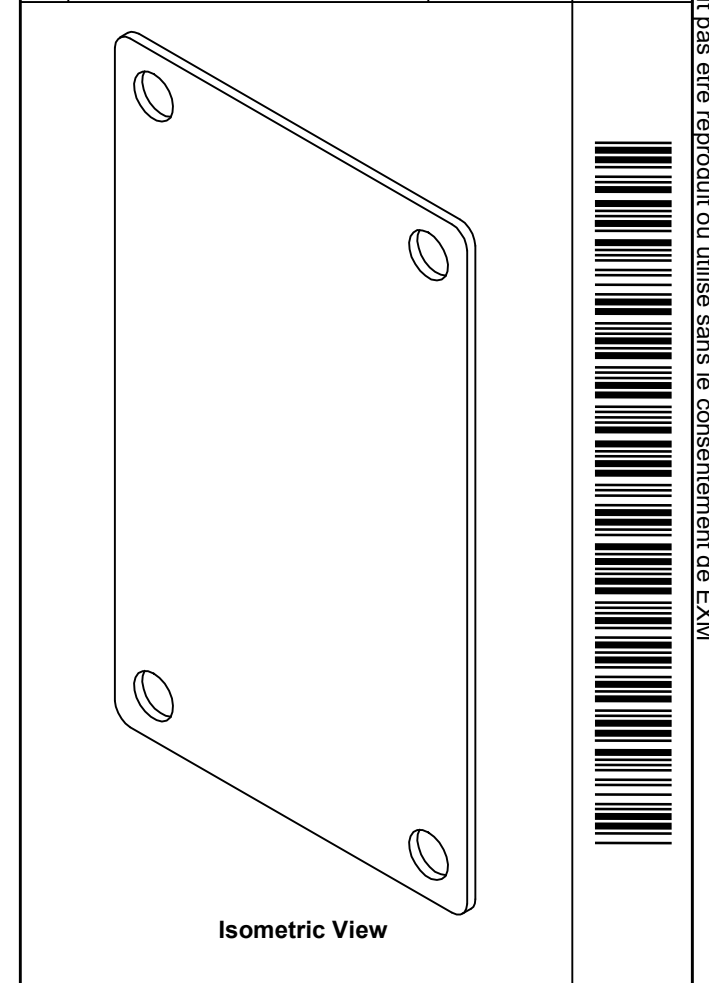
| Qty        | Part Number         | Rev | Description  |
|------------|---------------------|-----|--|
| 1          | STK-Q-08500         | 4   | Stainless Steel Standoff M6 x 10mm                           |
| 1          | STK-P-02400S        | 0   | Powder Paint (Asa-61 Grey / Smooth)                          |
| 1          | 5412ESSLC060404PG   | 0   | 5412ESSLC 6" x 4" Gasket                                     |
| 1          | STK-A-79961         | 11  | 5412 ESSMCH - Stainless Steel External Lock Assy - Slot Lock |
| 1          | 5412ESSLC060404PC-P | 0   | 5412ESSLC 6" x 4" Cover Part                                 |
| Parts List |                     |     |  |


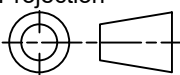
This drawing is confidential and must not be reproduced or used without the consent of EXM

Ce dessin est confidentiel et ne doit pas être reproduit ou utilisé sans le consentement de EXM



| No. | Revisions | Date | By/Par |
|-----|-----------|------|--------|
|     |           |      |        |
|     |           |      |        |
|     |           |      |        |
|     |           |      |        |
|     |           |      |        |



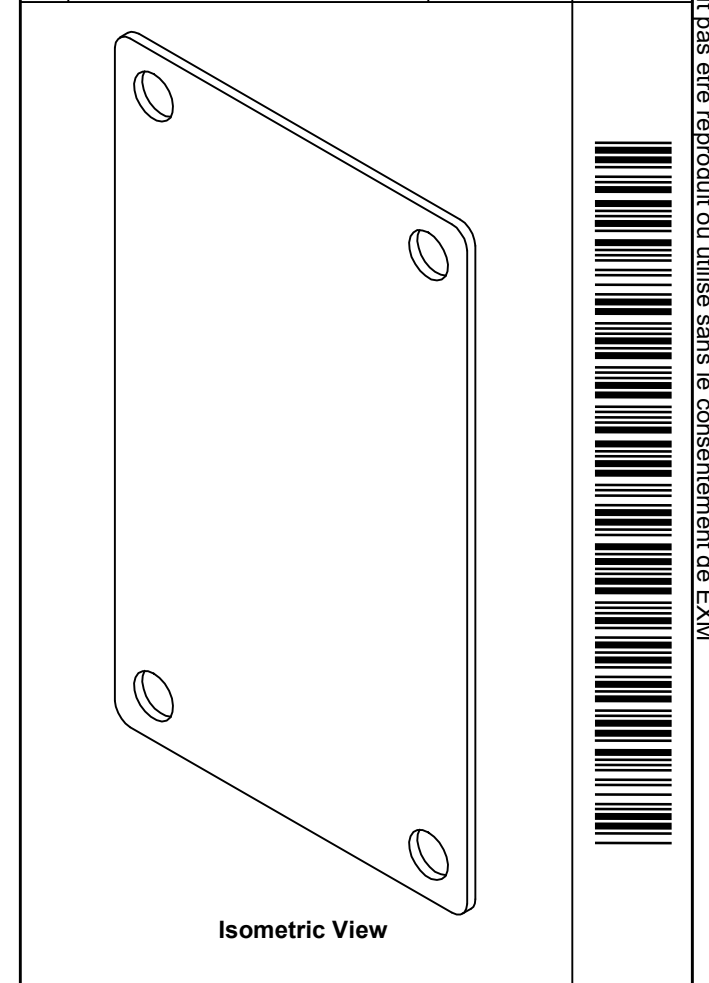
|  |                           |   |
|--|---------------------------|---|
|  Tél: (450) 979-4373<br>Fax: (450) 979-4626<br>www.exmweb.com |                           | Flatness<br>Aplatissement<br>Max 3.0mm  |
| Customer Client  |                           | Projection<br> |
| Drawn By<br>Dessiné Par BoxCad   |                           | Date 23-Jan-07  |
| Material<br>Matière 14 Ga Galvanized (1.7mm)   |                           |   |
| Color<br>Couleur Unpainted   | Finish<br>Fini Galvanized |   |
| Description<br>880 SP0604G - Inner Panel   |                           | Detail Rev.   |
| Part Number<br>Numéro Pièce <b>880 SP0604G</b>   |                           | Rev. 1<br>0   |


SEE BILL OF MATERIAL ON LAST PAGE

This drawing is confidential and must not be reproduced or used without the consent of EXM

Ce dessin est confidentiel et ne doit pas être reproduit ou utilisé sans le consentement de EXM

| No. | Revisions | Date | By/Par |
|-----|-----------|------|--------|
|     |           |      |        |
|     |           |      |        |
|     |           |      |        |
|     |           |      |        |
|     |           |      |        |



|  |                           |  |
|--|---------------------------|--|
|  Tél: (450) 979-4373<br>Fax: (450) 979-4626<br>www.exmweb.com |                           | Flatness<br>Aplatissement<br>Max 3.0mm |
| Customer Client  |                           | Date                                   |
| Drawn By / Dessiné Par: BoxCad   |                           | Date: 23-Jan-07                        |
| Material / Matière: 14 Ga Galvanized (1.7mm)   |                           |  |
| Color / Couleur: Unpainted   | Finish / Fini: Galvanized |  |
| Description: 880 SP0604G - Inner Panel   |                           | Detail Rev.                            |
| Part Number / Numéro Pièce: <b>880 SP0604G</b>   |                           | Rev. 0 / 2                             |

| Qty        | Part Number   | Rev | Description                    |
|------------|---------------|-----|--------------------------------|
| 1          | 880 SP0604G-P | 0   | 880 SP0604G - Inner Panel Part |
| Parts List |               |     |                                |