

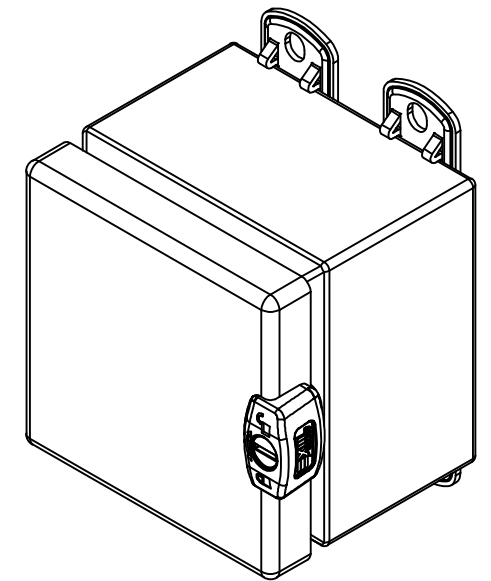


This drawing is confidential and must not be reproduced or used without the consent of EXM

Ce dessin est confidentiel et ne doit pas être reproduit ou utilisé sans le consentement de EXM

NOTE	
ITEM	DESCRIPTION
1	NEMA 4X Enclosure
2	C/W Standard ground standoffs on box and cover
3	W/O Standard door stiffener
4	W/O Inner panel
5	W/O Inner panel mounting standoffs
6	C/W 885 ESCHMF2 Mounting Feet (Kit)

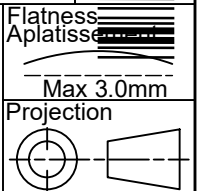
No.	Revisions	Date	By/Par



Isometric View



Tél: (450) 979-4373  
 Fax: (450) 979-4626  
[www.exmweb.com](http://www.exmweb.com)



Customer Client	Date
Drawn By / Dessiné Par: BoxCad: BoxCad	Date: 08-Mar-23

Material / Matière: 16 Ga Stainless Steel 304 (1.4mm)

Color / Couleur: Unpainted	Finish / Fini: Brushed
----------------------------	------------------------

Description: 5412ESSMCH 4" x 4" x 3" Assembly

Part Number / Numéro Pièce: <b>5412ESSMCH040403NOIP</b>	Rev. 0	2	10
---	--------	---	----

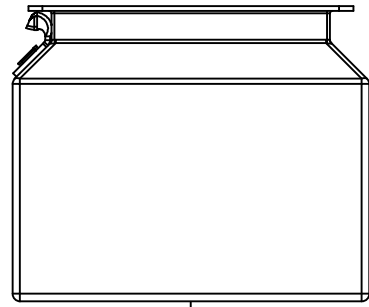
PACKING		
ITEM	QTY	DESCRIPTION
STK-E-04300	1	CARTON 5412 ESCH040403
Plastic bag	1	To protect cover surface and inside gasket
Packaging label	1	White label with product number
STK-S-01100	1	ESCH EXM SQUARE STICKER

Qty	Part Number	Rev	Description
1	STK-K-02945	0	5412 ESSMCH Accessory Kit
1	5412ESSMCH040403NOI PC	0	5412ESSMCH 4" x 4" Cover
1	5412ESSMCH040403NOI PB	0	5412ESSMCH 4" x 4" x 3" Body
2	STK-Q-08100	1	M5 Nylon Insert Lock Nut
2	STK-Q-10249	0	M5 Sealing Washer

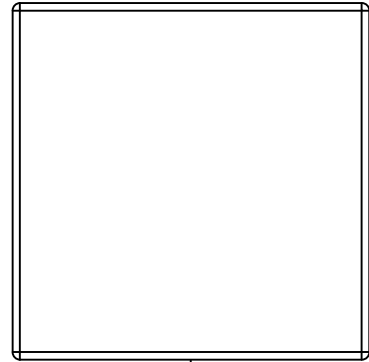
Parts List

This drawing is confidential and must not be reproduced or used without the consent of EXM

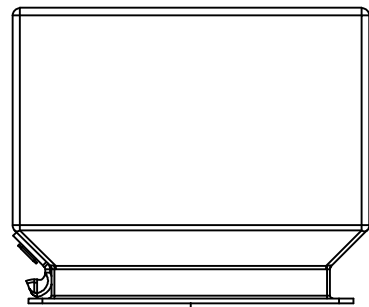
Ce dessin est confidentiel et ne doit pas être reproduit ou utilisé sans le consentement de EXM



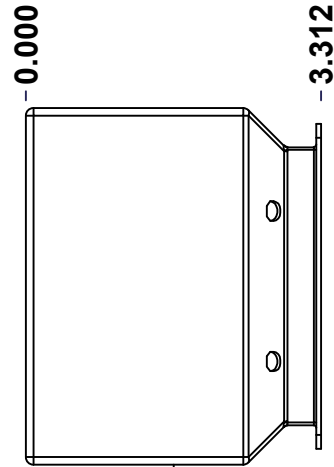
TOP



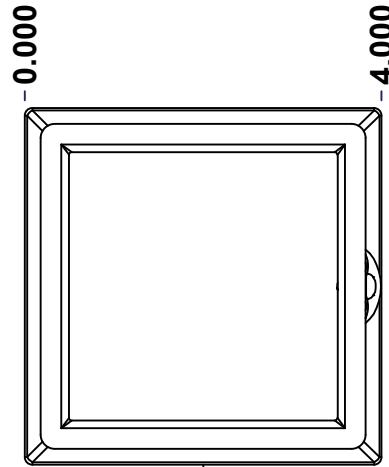
BACK



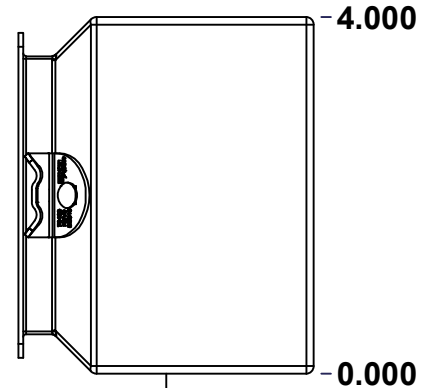
BOTTOM



LEFT

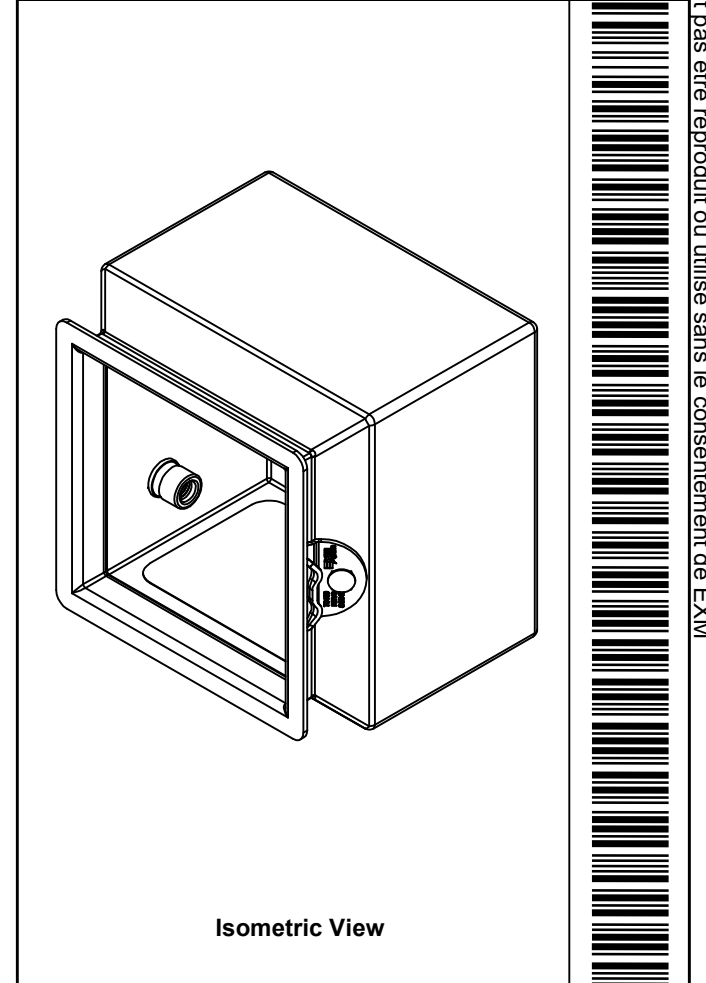


FRONT





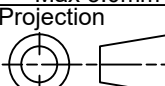
RIGHT

No.	Revisions	Date	By/Par



Isometric View

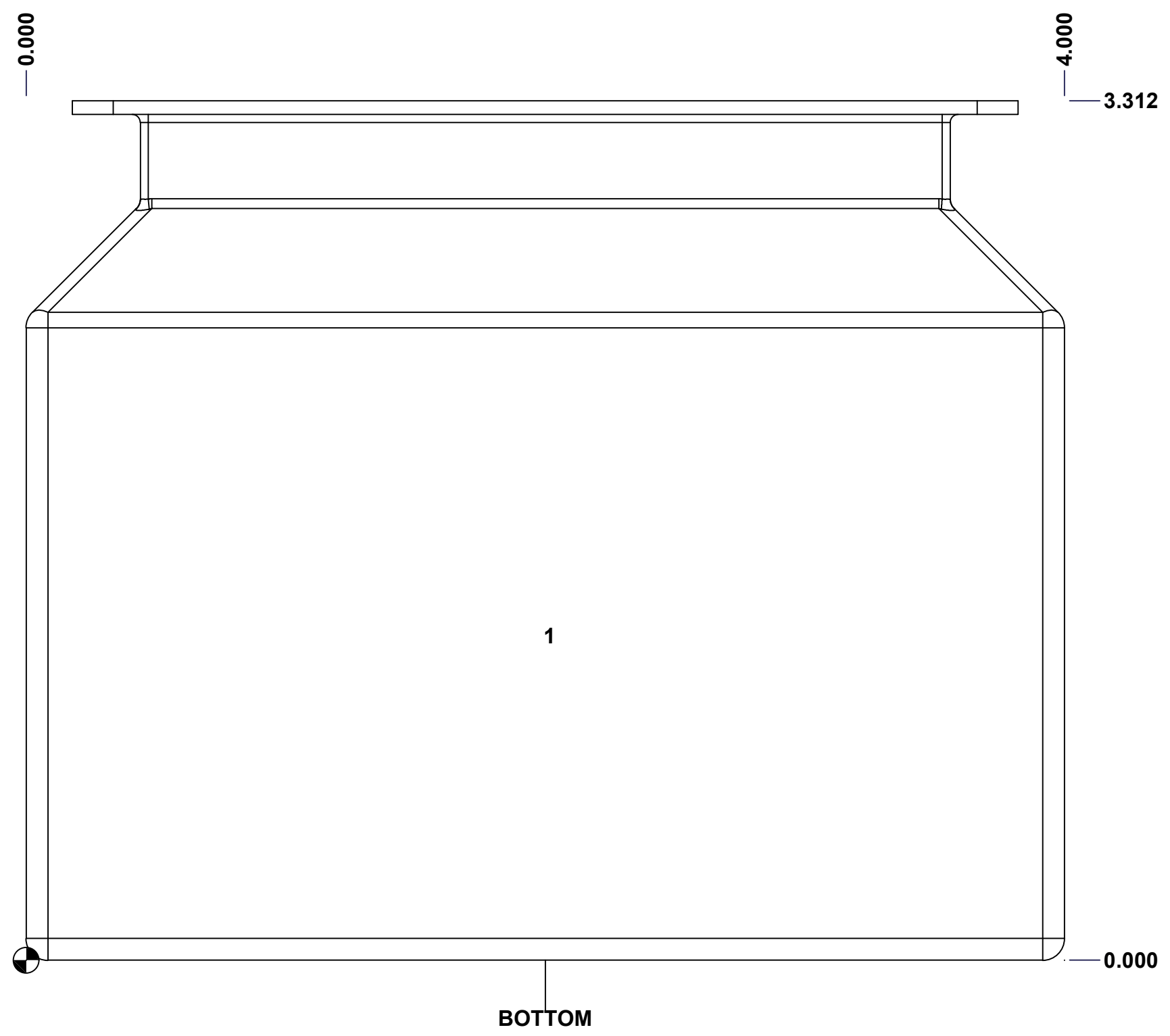


 Tél: (450) 979-4373 Fax: (450) 979-4626 <a href="http://www.exmweb.com">www.exmweb.com</a>		Flatness Aplatissement  Max 3.0mm
Customer Client	Date	Projection
Drawn By Dessiné Par BoxCad: BoxCad	Date 08-Mar-23	
Material Matière	16 Ga Stainless Steel 304 (1.4mm)	
Color Couleur	Unpainted	Finish Fini Brushed
Description	Detail Rev.	
5412ESSMCH 4" x 4" x 3" Body		
Part Number Numéro Pièce	Rev.	3
SEE BILL OF MATERIAL ON LAST PAGE 5412ESSMCH040403NOIPB	0	10

This drawing is confidential and must not be reproduced or used without the consent of EXM

Ce dessin est confidentiel et ne doit pas être reproduit ou utilisé sans le consentement de EXM

<b>STANDARD FEATURES ARE NOT LISTED IN THIS HOLE TABLE</b>			
<b>HOLE TABLE - BOTTOM VIEW (CUSTOM FEATURE ONLY)</b>			
CUT-OUT	XDIM	YDIM	DESCRIPTION
1	2.000	1.250	LABEL_EXM

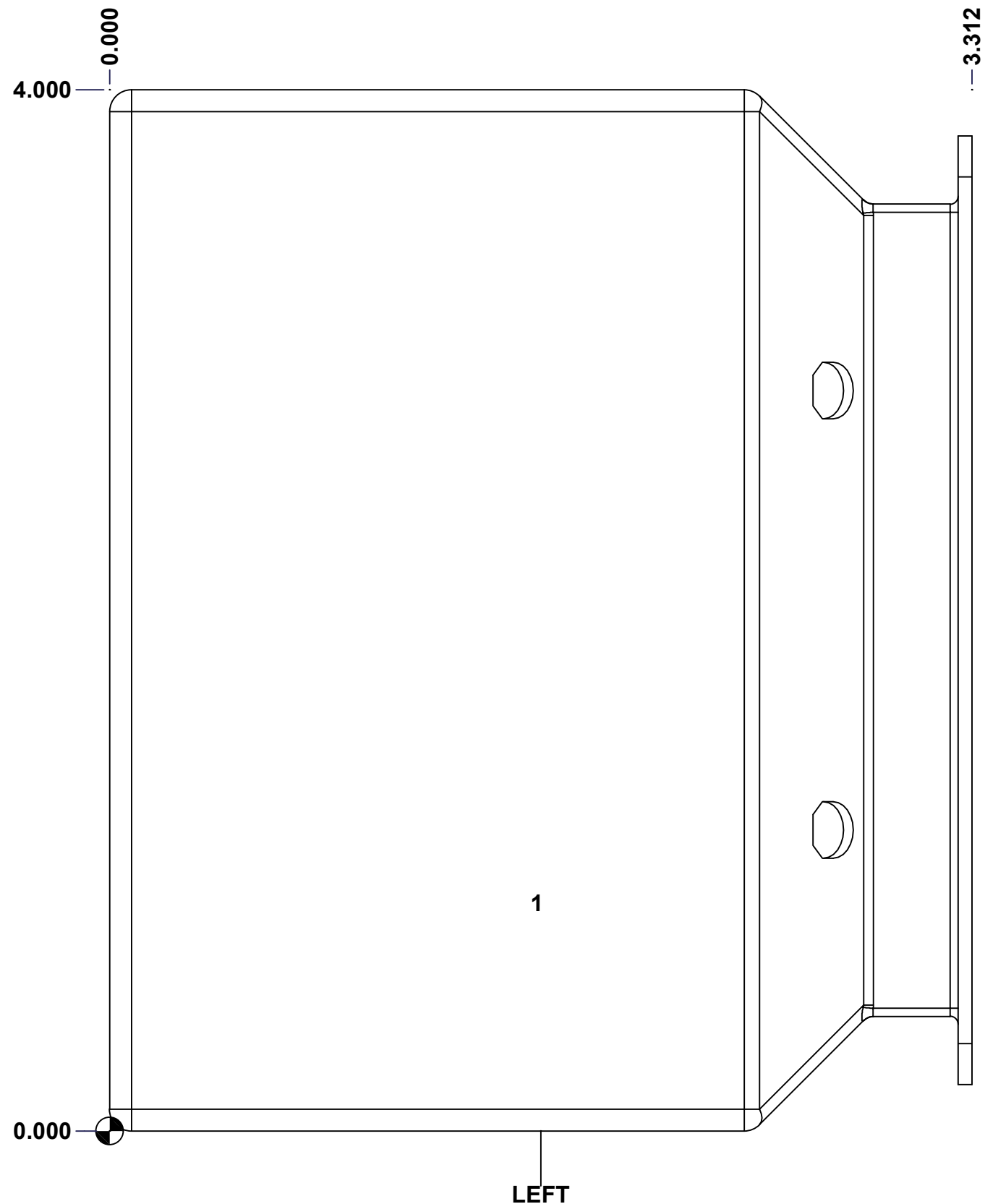


	Description	Status
	5412ESSMCH 4" x 4" x 3" Body	(NULL)
	Part Number Numéro Pièce	Rev.
	<b>5412ESSMCH040403NOIPB</b>	<b>0</b>
		4
		10

This drawing is confidential and must not be reproduced or used without the consent of EXM

Ce dessin est confidentiel et ne doit pas être reproduit ou utilisé sans le consentement de EXM

STANDARD FEATURES ARE NOT LISTED IN THIS HOLE TABLE			
HOLE TABLE - LEFT VIEW (CUSTOM FEATURE ONLY)			
CUT-OUT	XDIM	YDIM	DESCRIPTION
1	1.625	0.875	STANDOFF M6 x 10mm (Inside)

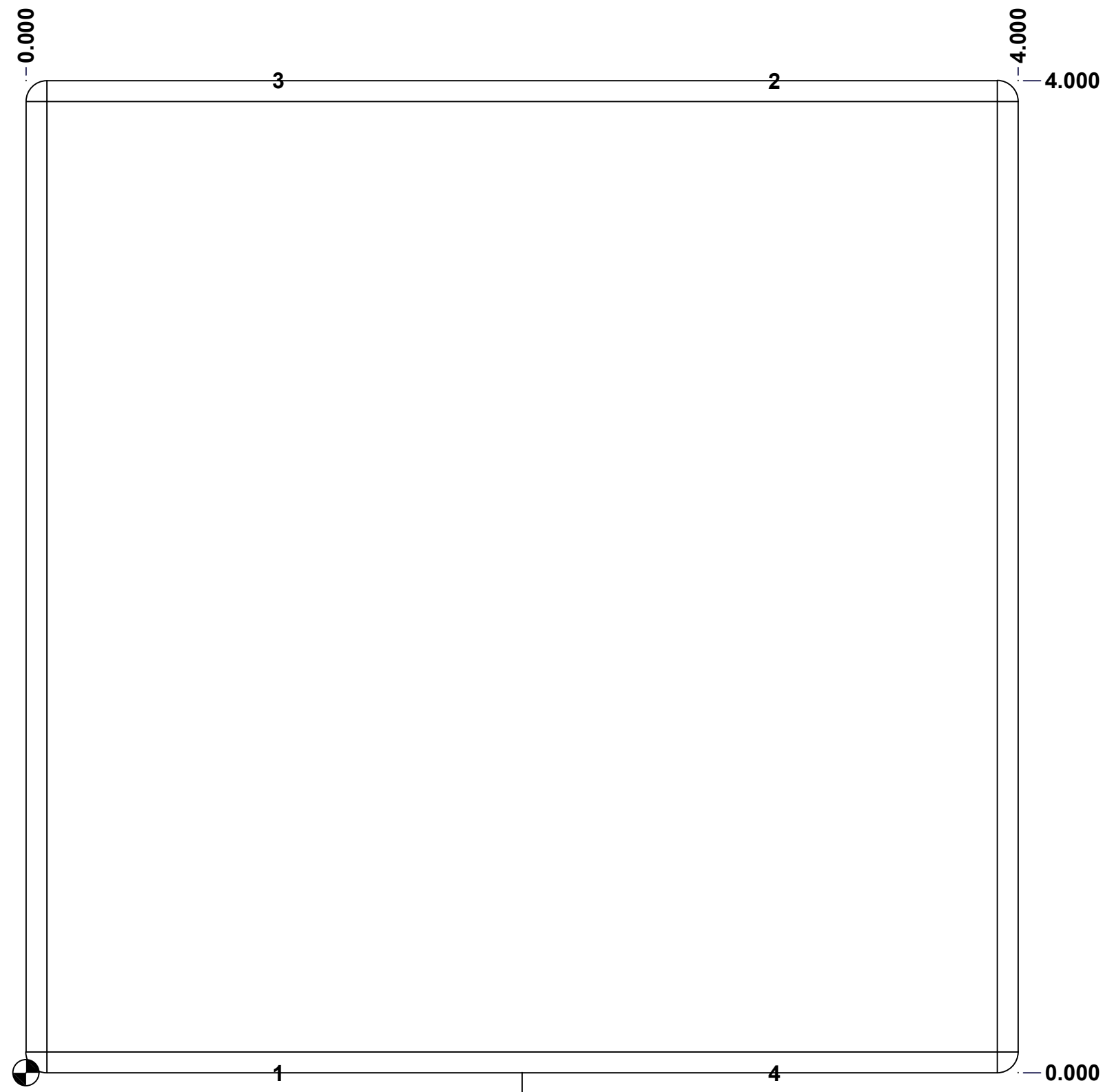


	Description		Status
	5412ESSMCH 4" x 4" x 3" Body		(NULL)
	Part Number Numéro Pièce		Rev.
<b>5412ESSMCH040403NOIPB</b>		<b>0</b>	5 10

This drawing is confidential and must not be reproduced or used without the consent of EXM

Ce dessin est confidentiel et ne doit pas être reproduit ou utilisé sans le consentement de EXM

STANDARD FEATURES ARE NOT LISTED IN THIS HOLE TABLE			
HOLE TABLE - BACK VIEW (CUSTOM FEATURE ONLY)			
CUT-OUT	XDIM	YDIM	DESCRIPTION
1	1.000	0.000	FOOT 885 ESCHMF2
2	3.000	4.000	FOOT 885 ESCHMF2
3	1.000	4.000	FOOT 885 ESCHMF2
4	3.000	0.000	FOOT 885 ESCHMF2



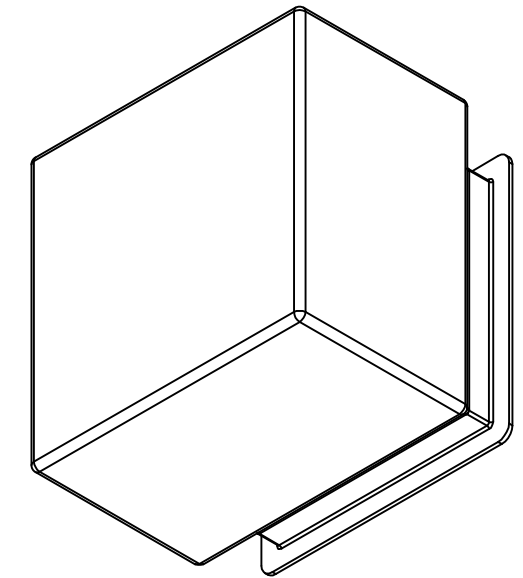
BACK

	Description	Status
	5412ESSMCH 4" x 4" x 3" Body	(NULL)
Part Number Numéro Pièce <b>5412ESSMCH040403NOIPB</b>	Rev.	6
	<b>0</b>	10

This drawing is confidential and must not be reproduced or used without the consent of EXM



Ce dessin est confidentiel et ne doit pas être reproduit ou utilisé sans le consentement de EXM

No.	Revisions	Date	By/Par



Isometric View

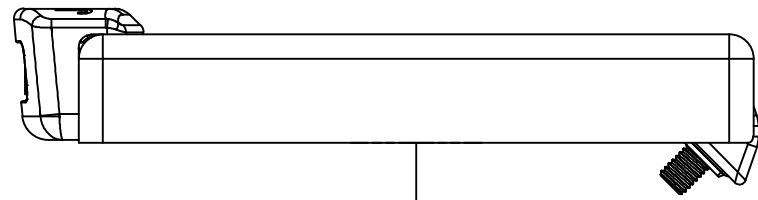


 Tél: (450) 979-4373 Fax: (450) 979-4626 <a href="http://www.exmweb.com">www.exmweb.com</a>		Flatness Aplatissement  Max 3.0mm
Customer Client		Date
Drawn By Dessiné Par BoxCad: BoxCad		Date 08-Mar-23
Material Matière 16 Ga Stainless Steel 304 (1.4mm)		
Color Couleur Unpainted		Finish Fini Brushed
Description 5412ESSMCH 4" x 4" x 3" Body		Detail Rev.
Part Number Numéro Pièce <b>5412ESSMCH040403NOIPB</b>		Rev. <b>0</b>

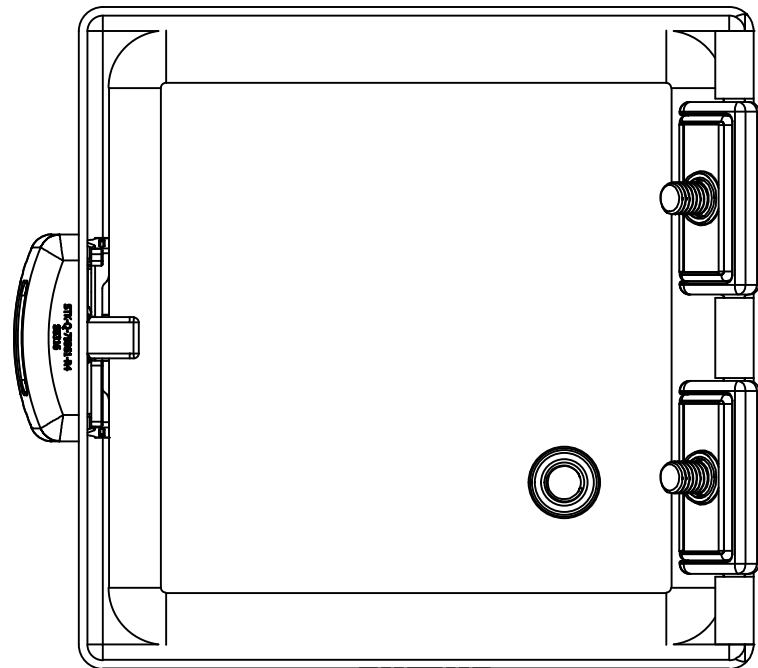
Qty	Part Number	Rev	Description
1	STK-Q-08100	1	M5 Nylon Insert Lock Nut
1	STK-Q-08500	4	Stainless Steel Standoff M6 x 10mm
1	5412ESSMCH040403NOIPB-P	0	5412ESSMCH 4" x 4" x 3" Body Part
1	STK-A-70469	6	5412 ESSMCH - Stainless Steel 316 Body Catch Assembly
1	STK-S-00100	0	3.5" x 2" Silver Milar Flexcon Sticker
Qty	Part Number	Rev	Description
Parts List			

This drawing is confidential and must not be reproduced or used without the consent of EXM

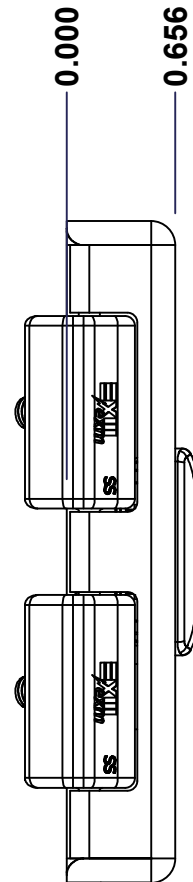
Ce dessin est confidentiel et ne doit pas être reproduit ou utilisé sans le consentement de EXM



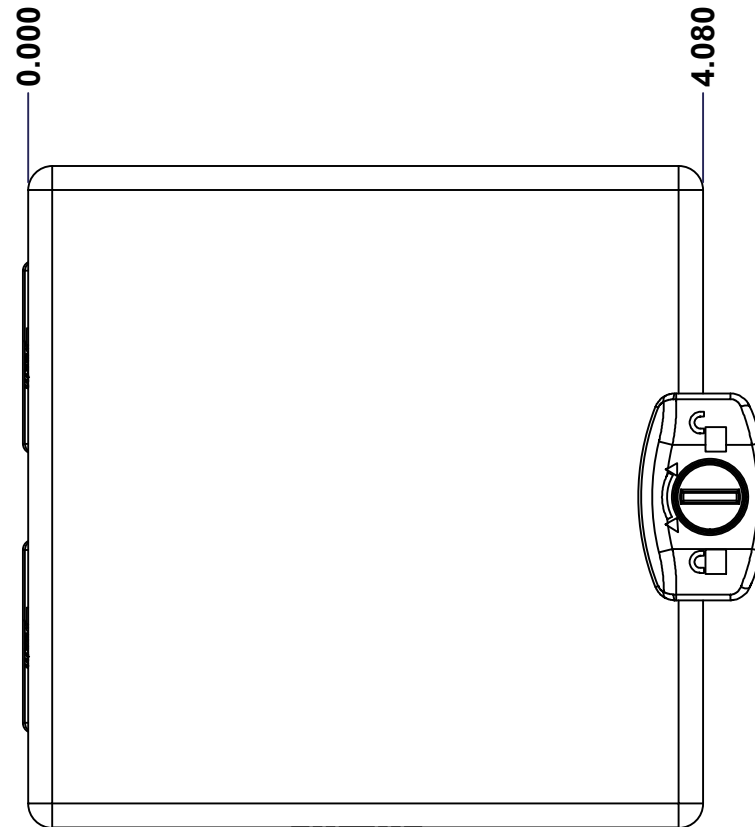
TOP



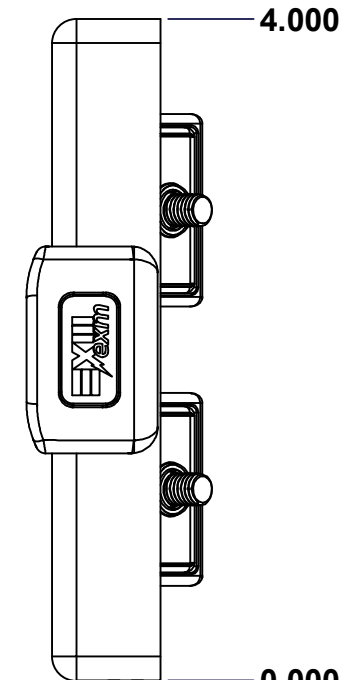
BACK



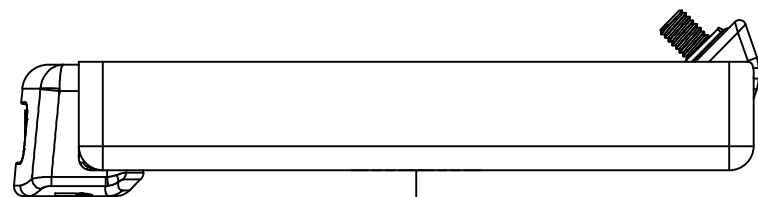
LEFT



FRONT

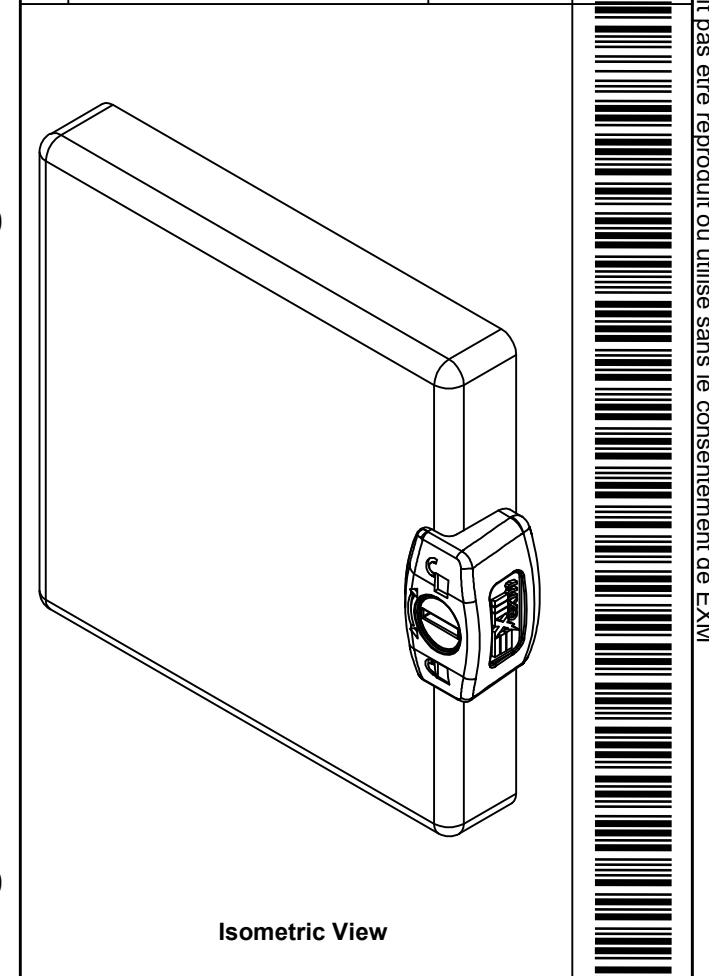


RIGHT



BOTTOM

No.	Revisions	Date	By/Par



Isometric View

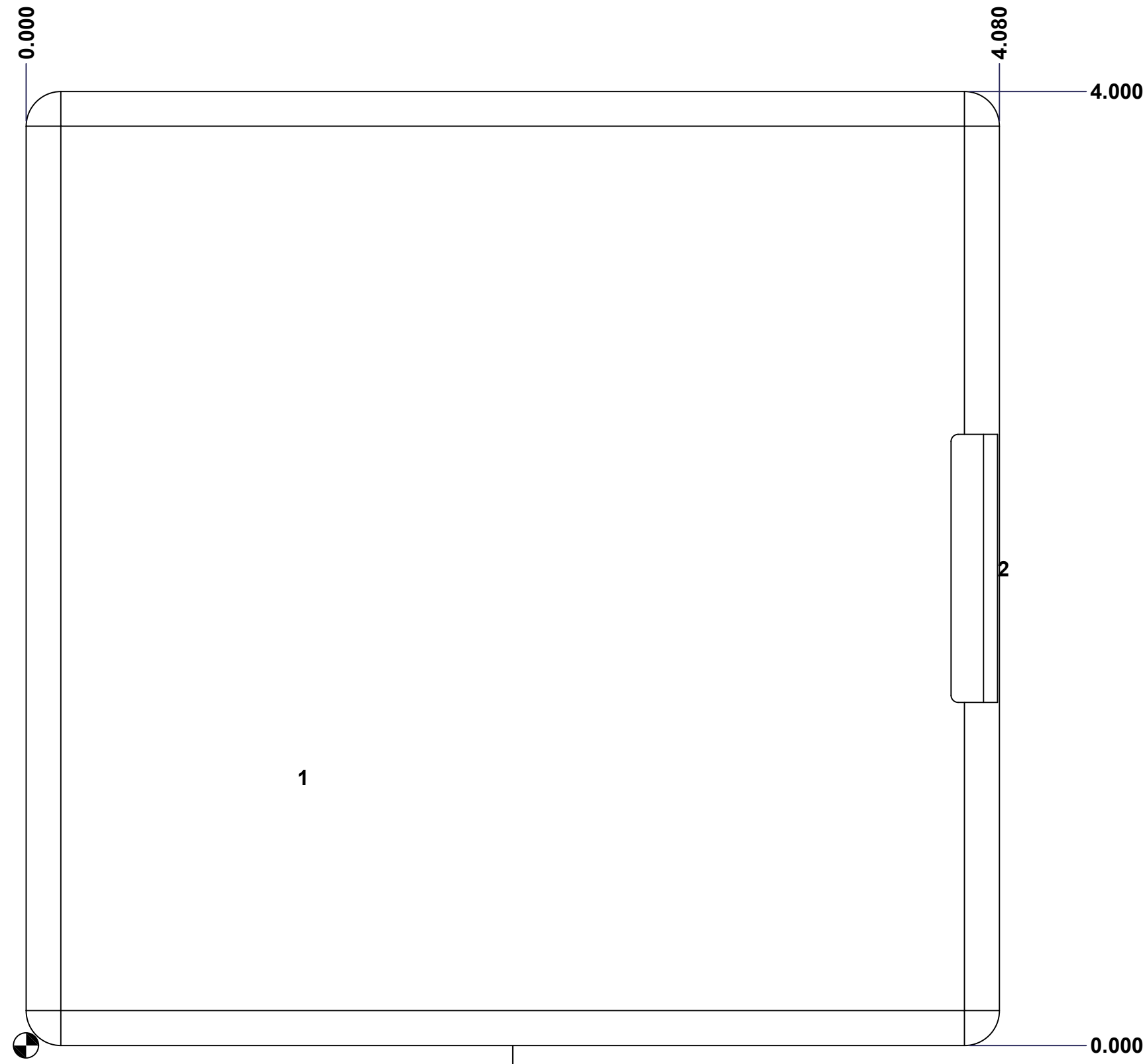
	Flatness Aplatissement Max 3.0mm
	Projection 
Tél: (450) 979-4373 Fax: (450) 979-4626 <a href="http://www.exmweb.com">www.exmweb.com</a>	Date
Customer Client	Date 08-Mar-23
Drawn By Dessiné Par BoxCad: BoxCad	Date
Material Matière 16 Ga Stainless Steel 304 (1.4mm)	Detail Rev.
Color Couleur Unpainted	Finish Fini Brushed
Description 5412ESSMCH 4" x 4" Cover	Rev. 8
Part Number Numéro Pièce 5412ESSMCH040403NOIPC	Rev. 0

SEE BILL OF MATERIAL ON LAST PAGE 5412ESSMCH040403NOIPC 0 10

This drawing is confidential and must not be reproduced or used without the consent of EXM

Ce dessin est confidentiel et ne doit pas être reproduit ou utilisé sans le consentement de EXM

STANDARD FEATURES ARE NOT LISTED IN THIS HOLE TABLE			
HOLE TABLE - FRONT VIEW (CUSTOM FEATURE ONLY)			
CUT-OUT	XDIM	YDIM	DESCRIPTION
1	1.145	1.125	STANDOFF M6 x 10mm (Inside)
2	4.080	2.000	LOCK 880 SCQ3MS @ 0.0°



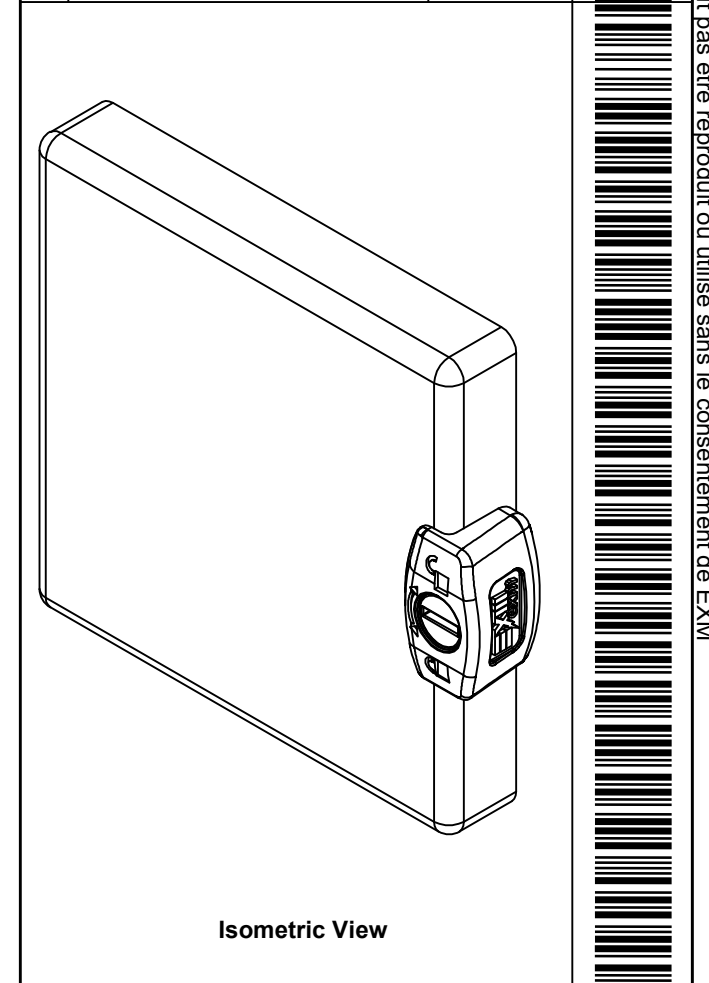
FRONT


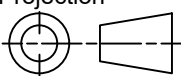
	Description	Status
	5412ESSMCH 4" x 4" Cover	(NULL)
	Part Number	Rev.
	5412ESSMCH040403NOIPC	9
	Numéro Pièce	10
		0

This drawing is confidential and must not be reproduced or used without the consent of EXM

Ce dessin est confidentiel et ne doit pas être reproduit ou utilisé sans le consentement de EXM

No.	Revisions	Date	By/Par



 Tél: (450) 979-4373 Fax: (450) 979-4626 <a href="http://www.exmweb.com">www.exmweb.com</a>		Flatness Aplatissement Max 3.0mm Projection 
Customer Client	Date	
Drawn By Dessiné Par	BoxCad: BoxCad	Date 08-Mar-23
Material Matière	16 Ga Stainless Steel 304 (1.4mm)	
Color Couleur	Unpainted	Finish Fini Brushed
Description		Detail Rev.
5412ESSMCH 4" x 4" Cover		
Part Number Numéro Pièce	Rev.	10
<b>5412ESSMCH040403NOIPC</b>	<b>0</b>	10

Qty	Part Number	Rev	Description
1	5412ESSMCH040403NOI PG	0	5412ESSMCH 4" x 4" Gasket
1	880SCQ3S	4	5412 ESSMCH - Stainless Steel External Lock Assy - Slot Lock
1	STK-Q-08500	4	Stainless Steel Standoff M6 x 10mm
1	5412ESSMCH040403NOI PC-P	0	5412ESSMCH 4" x 4" Cover Part
2	STK-A-33038	3	5412 ESSMCH - Stainless Steel Hinge
Parts List			