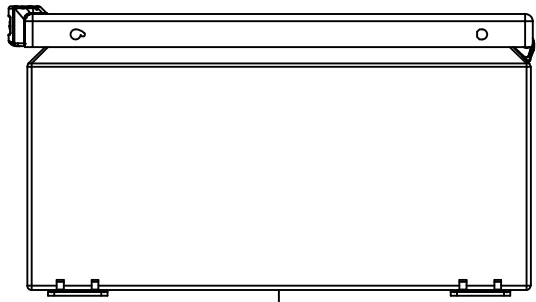
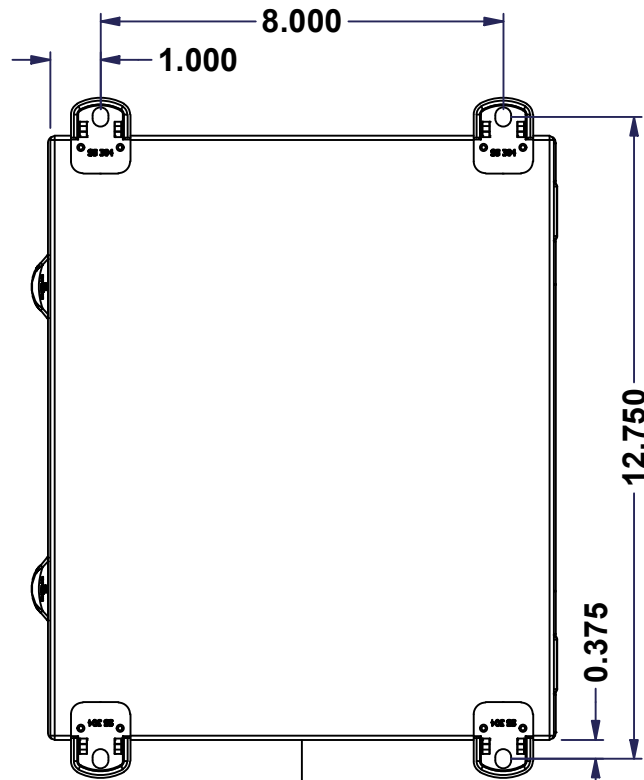


This drawing is confidential and must not be reproduced or used without the consent of EXM

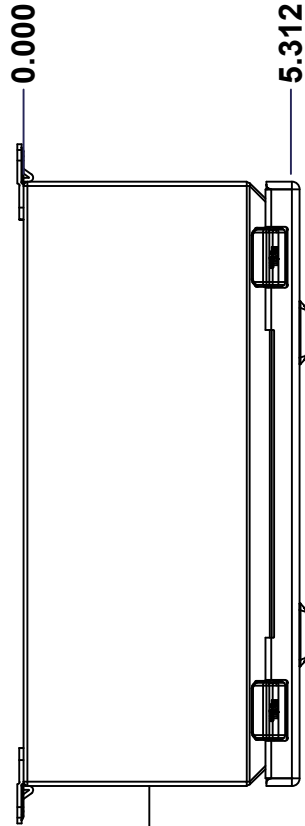
Ce dessin est confidentiel et ne doit pas être reproduit ou utilisé sans le consentement de EXM



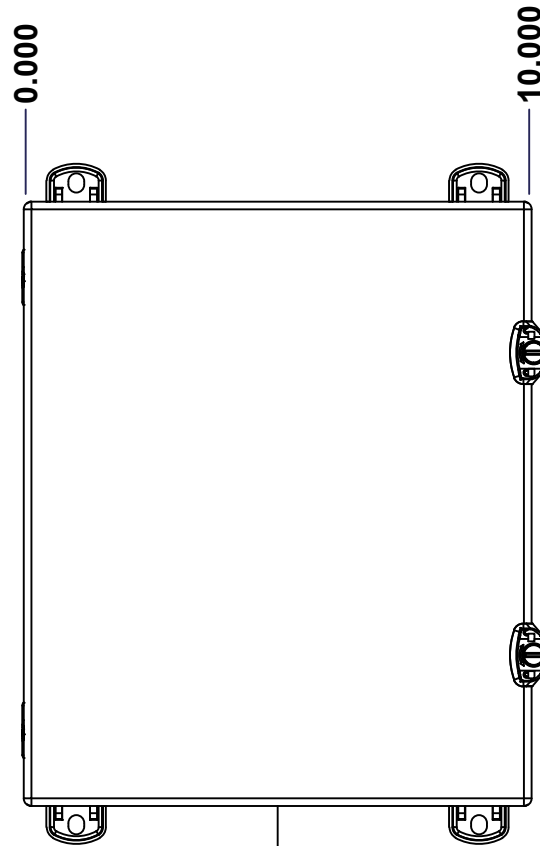
TOP



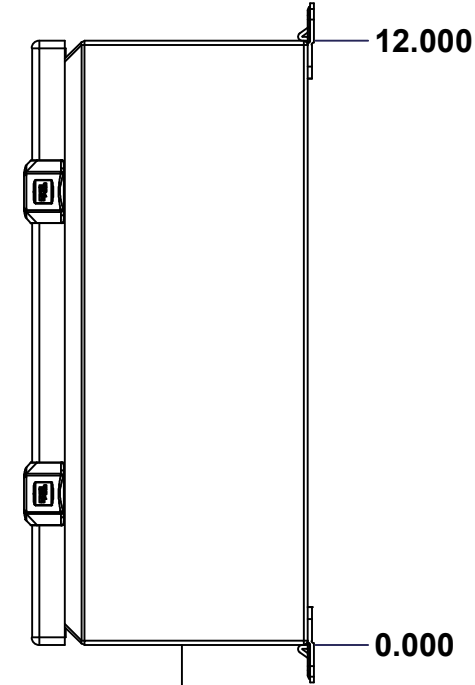
BACK



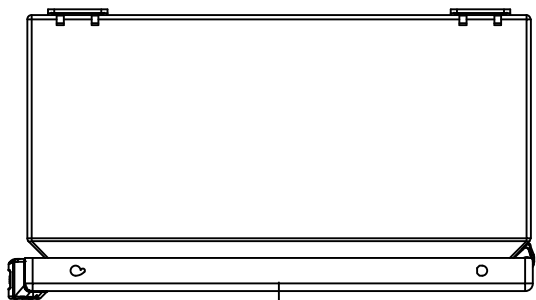
LEFT



FRONT

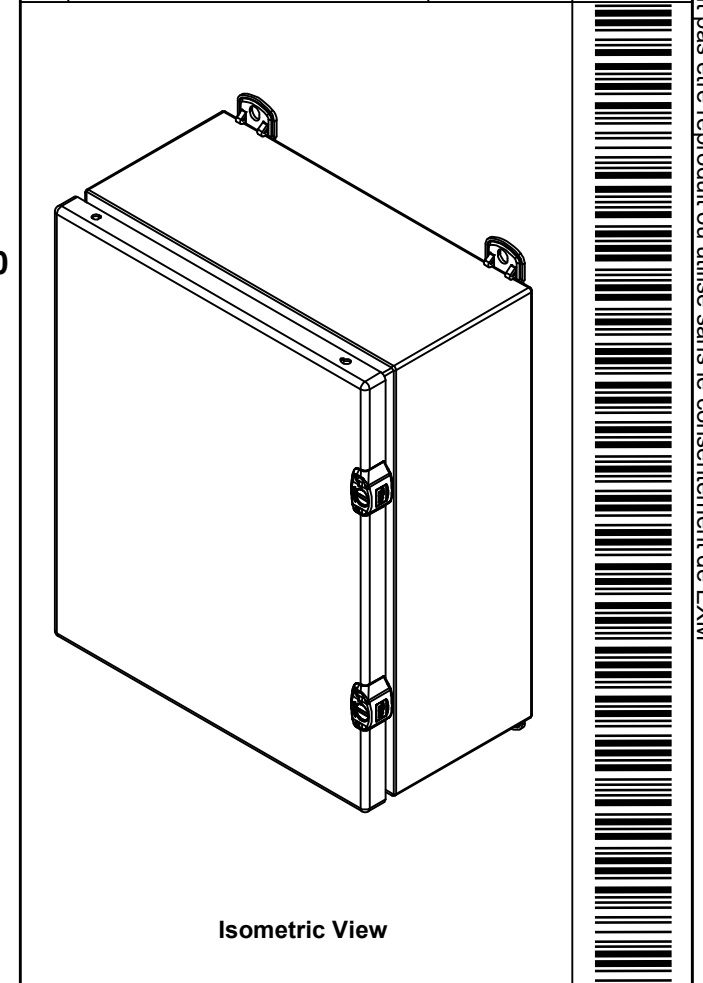


RIGHT




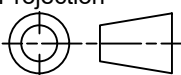
BOTTOM

| No. | Revisions | Date | By/Par |
|-----|-----------|------|--------|
| | | | |
| | | | |
| | | | |
| | | | |



Isometric View



| | | |
|--|-----------------------------------|---|
|  Tél: (450) 979-4373 Fax: (450) 979-4626 www.exmweb.com | | Flatness Aplatissement Max 3.0mm Projection  |
| Customer Client | Date | |
| Drawn By Dessiné Par | BoxCad: BoxCad | Date 28-Jan-26 |
| Material Matière | 16 Ga Stainless Steel 316 (1.4mm) | |
| Color Couleur | Asa-61 Grey | Finish Fini Smooth |
| Description | Detail Rev. | |
| 5412ESSPCH 12" x 10" x 5" Assembly | | |
| Part Number Numéro Pièce | Rev. | 1 |
| 5412ESSPCH1210056 | 0 | 9 |

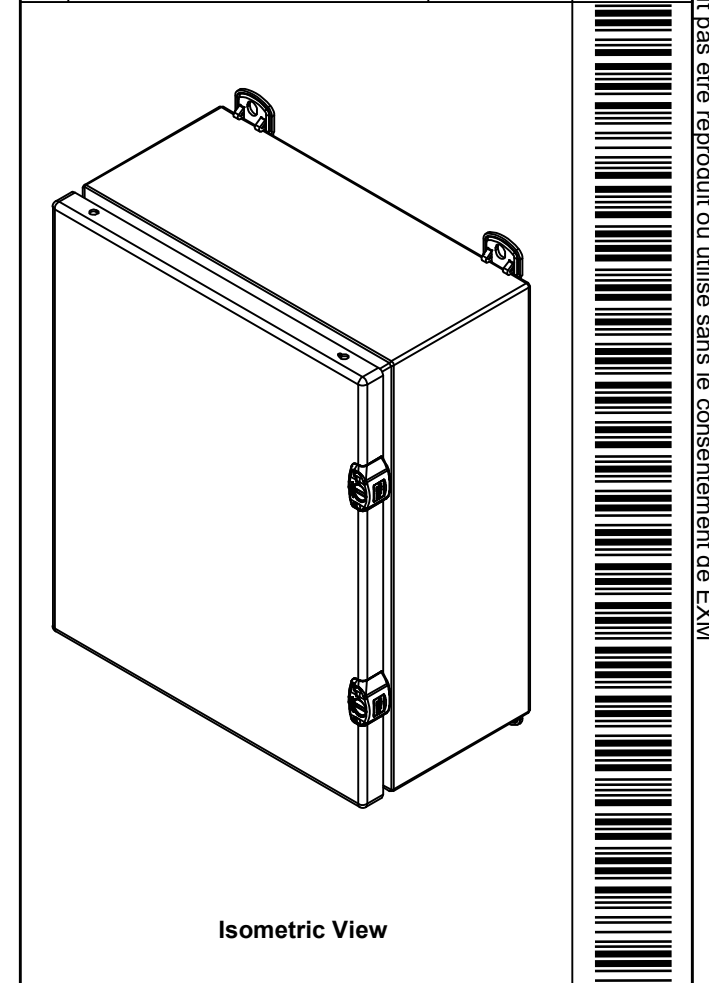
SEE BILL OF MATERIAL ON LAST PAGE

This drawing is confidential and must not be reproduced or used without the consent of EXM

Ce dessin est confidentiel et ne doit pas être reproduit ou utilisé sans le consentement de EXM

| NOTE | |
|------|--|
| ITEM | DESCRIPTION |
| 1 | NEMA 4X Enclosure (IP66) |
| 2 | C/W Standard ground standoffs on box and cover |
| 3 | W/O Standard door stiffener |
| 4 | C/W Standard inner panel (Included) |
| 5 | C/W Standard inner panel mounting standoffs |
| 6 | C/W 885 ESCHMF2 Mounting Feet (Welded) |

| No. | Revisions | Date | By/Par |
|-----|-----------|------|--------|
| | | | |
| | | | |
| | | | |
| | | | |
| | | | |
| | | | |



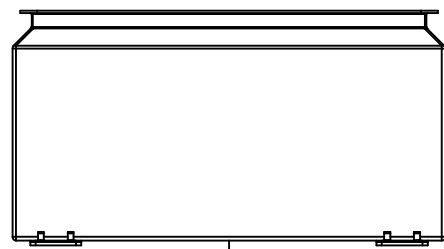
| | | |
|--|-----------------------------------|--|
| Tél: (450) 979-4373 Fax: (450) 979-4626 www.exmweb.com | | Flatness Aplatissement Max 3.0mm Projection |
| Customer Client | Date | |
| Drawn By Dessiné Par | BoxCad: BoxCad | Date 28-Jan-26 |
| Material Matière | 16 Ga Stainless Steel 316 (1.4mm) | |
| Color Couleur | Asa-61 Grey | Finish Fini Smooth |
| Description | Detail Rev. | |
| 5412ESSPCH 12" x 10" x 5" Assembly | | |
| Part Number Numéro Pièce | Rev. 0 | 2/9 |
| 5412ESSPCH1210056 | | |

| PACKING | | |
|-----------------|-----|--|
| ITEM | QTY | DESCRIPTION |
| STK-E-04316 | 1 | CARTON 5412 ESCH080604 |
| Plastic bag | 1 | To protect cover surface and inside gasket |
| Packaging label | 1 | White label with product number |
| STK-S-01100 | 1 | ESCH EXM SQUARE STICKER |

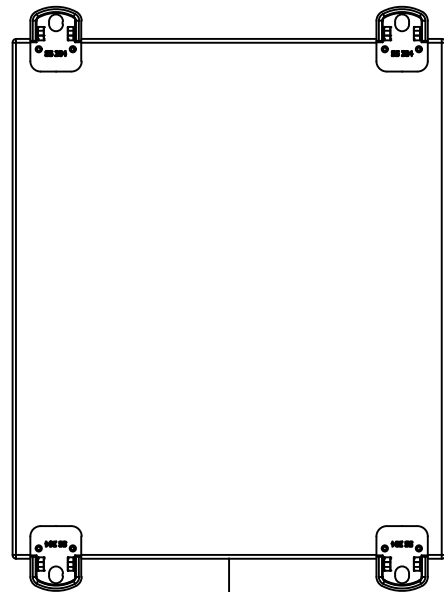
| Qty | Part Number | Rev | Description |
|------------|--------------------|-----|---|
| 2 | STK-A-08126 | 0 | M5 Stainless Steel 316 Nylon Insert Lock Nut with Incorporated Sealing Washer |
| 1 | 5412ESSPCH1210056C | 0 | 5412ESSPCH 12" x 10" Cover |
| 1 | STK-K-02910 | 3 | 5412 ESCH Accessory Kit |
| 1 | 880 SP1210G | 0 | 880 SP1210G - Inner Panel |
| 1 | 5412ESSPCH1210056B | 0 | 5412ESSPCH 12" x 10" x 5" Body |
| Parts List | | | |

This drawing is confidential and must not be reproduced or used without the consent of EXM

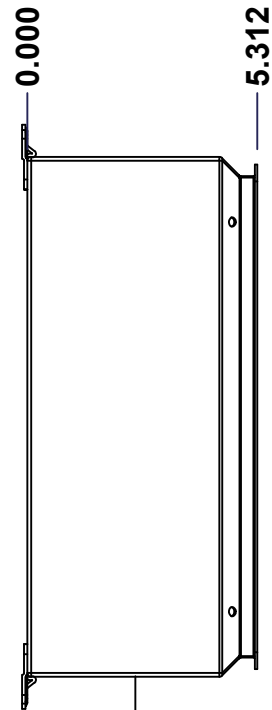
Ce dessin est confidentiel et ne doit pas être reproduit ou utilisé sans le consentement de EXM



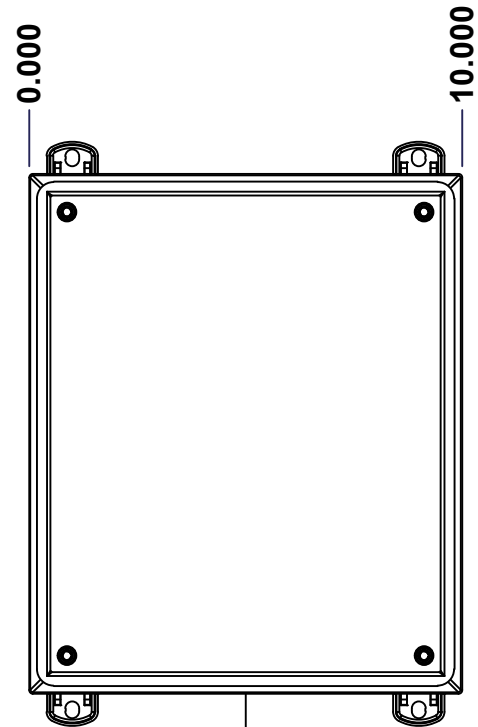
TOP



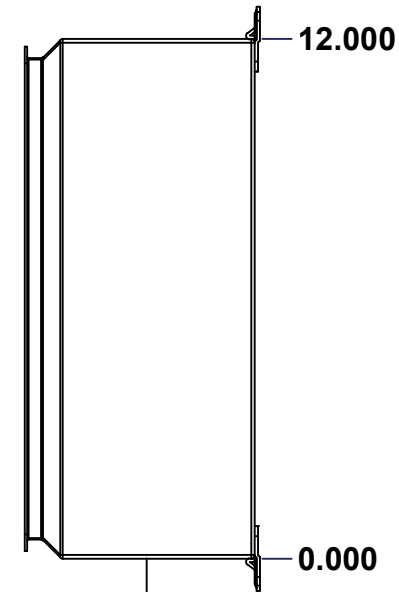
BACK



LEFT



FRONT

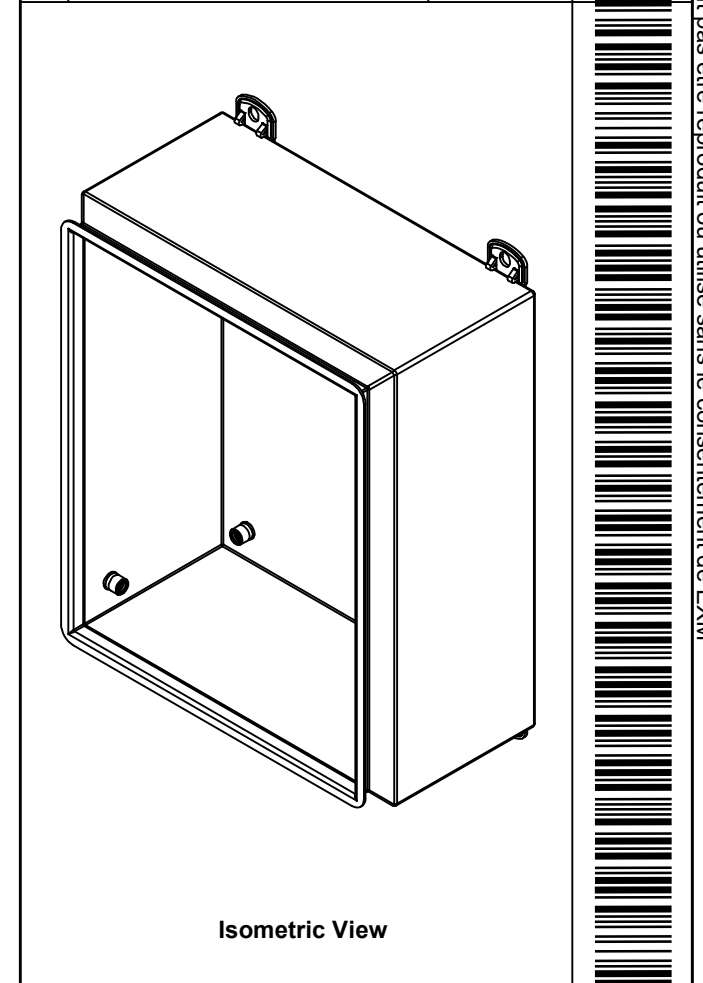


RIGHT



BOTTOM

| No. | Revisions | Date | By/Par |
|-----|-----------|------|--------|
| | | | |
| | | | |
| | | | |
| | | | |



Isometric View

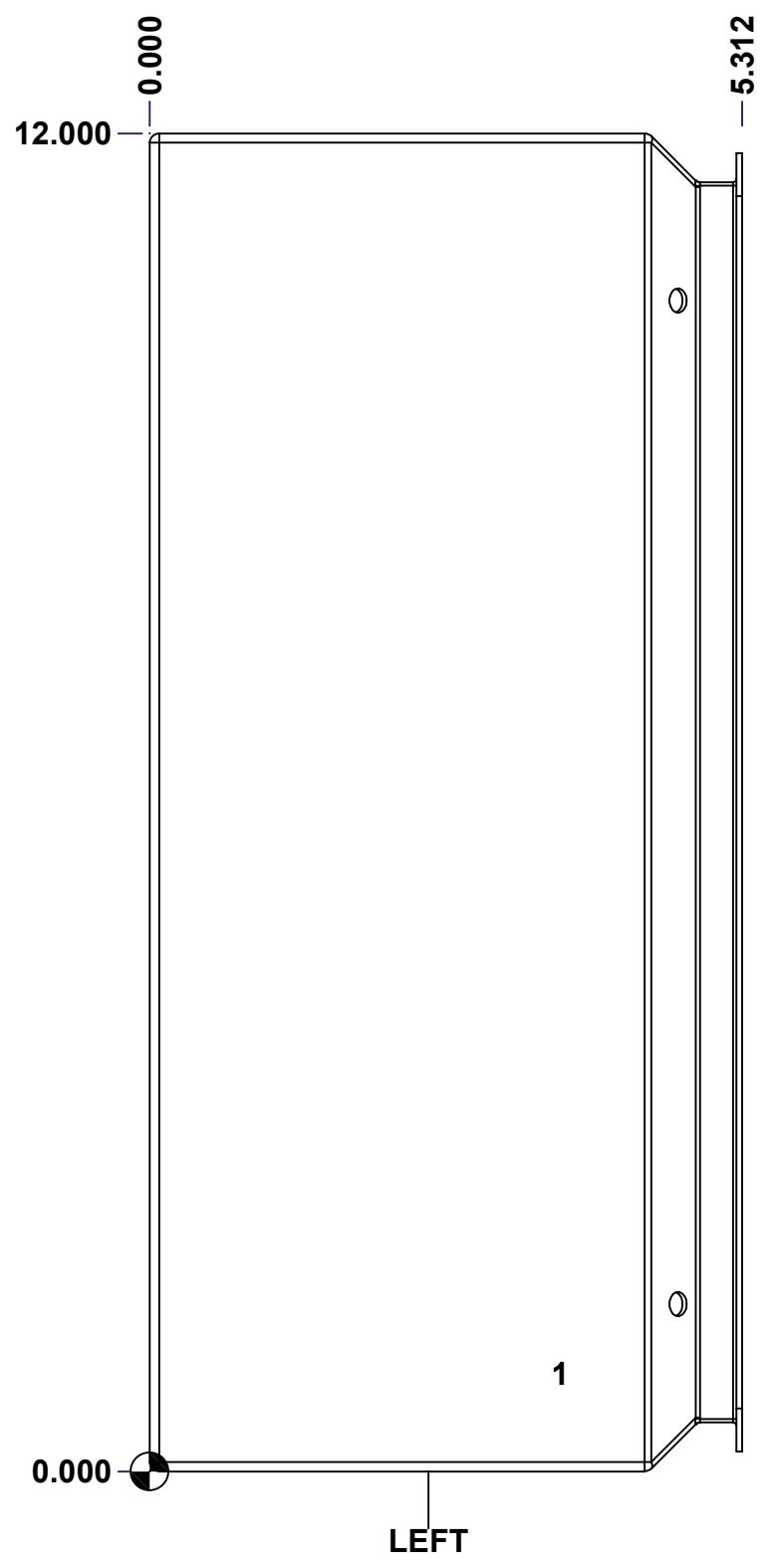


| | | |
|--|-----------------------------------|---|
|  Tél: (450) 979-4373 Fax: (450) 979-4626 www.exmweb.com | | Flatness Aplatissement Max 3.0mm Projection  |
| Customer Client | Date | |
| Drawn By Dessiné Par | BoxCad: BoxCad | Date 28-Jan-26 |
| Material Matière | 16 Ga Stainless Steel 316 (1.4mm) | |
| Color Couleur | Asa-61 Grey | Finish Fini Smooth |
| Description | Detail Rev. | |
| 5412ESSPCH 12" x 10" x 5" Body | | |
| Part Number Numéro Pièce | Rev. 0 | 3 9 |
| SEE BILL OF MATERIAL ON LAST PAGE 5412ESSPCH1210056B | | |

This drawing is confidential and must not be reproduced or used without the consent of EXM

Ce dessin est confidentiel et ne doit pas être reproduit ou utilisé sans le consentement de EXM

| STANDARD FEATURES ARE NOT LISTED IN THIS HOLE TABLE | | | |
|--|-------|-------|-----------------------------|
| HOLE TABLE - LEFT VIEW (CUSTOM FEATURE ONLY) | | | |
| CUT-OUT | XDIM | YDIM | DESCRIPTION |
| 1 | 3.625 | 0.875 | STANDOFF M6 x 10mm (Inside) |



| | | |
|--|--------------------------------|-------------------|
| | Description | Status |
| | 5412ESSPCH 12" x 10" x 5" Body | (NULL) |
| | Part Number Numéro Pièce | Rev. |
| | 5412ESSPCH1210056B | 0 / 4 9 |

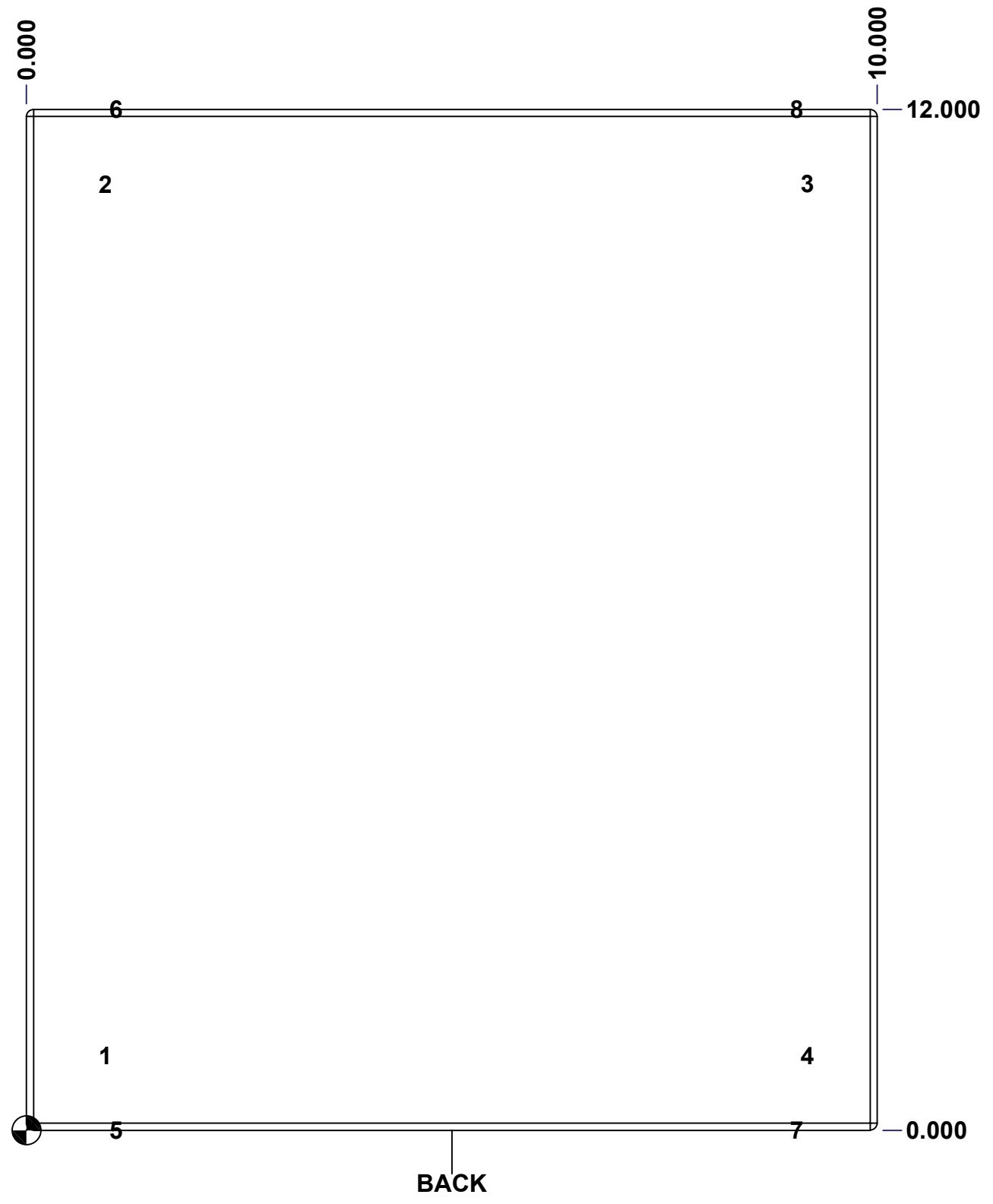
This drawing is confidential and must not be reproduced or used without the consent of EXM

Ce dessin est confidentiel et ne doit pas être reproduit ou utilisé sans le consentement de EXM

STANDARD FEATURES ARE NOT LISTED IN THIS HOLE TABLE

HOLE TABLE - BACK VIEW (CUSTOM FEATURE ONLY)

| CUT-OUT | XDIM | YDIM | DESCRIPTION |
|---------|-------|--------|--------------------------------|
| 1 | 0.875 | 0.875 | IP STANDOFF M6 x 10mm (Inside) |
| 2 | 0.875 | 11.125 | IP STANDOFF M6 x 10mm (Inside) |
| 3 | 9.125 | 11.125 | IP STANDOFF M6 x 10mm (Inside) |
| 4 | 9.125 | 0.875 | IP STANDOFF M6 x 10mm (Inside) |
| ----- | | | |
| 5 | 1.000 | 0.000 | FOOT 885 ESCHMF2 |
| 6 | 1.000 | 12.000 | FOOT 885 ESCHMF2 |
| 7 | 9.000 | 0.000 | FOOT 885 ESCHMF2 |
| 8 | 9.000 | 12.000 | FOOT 885 ESCHMF2 |

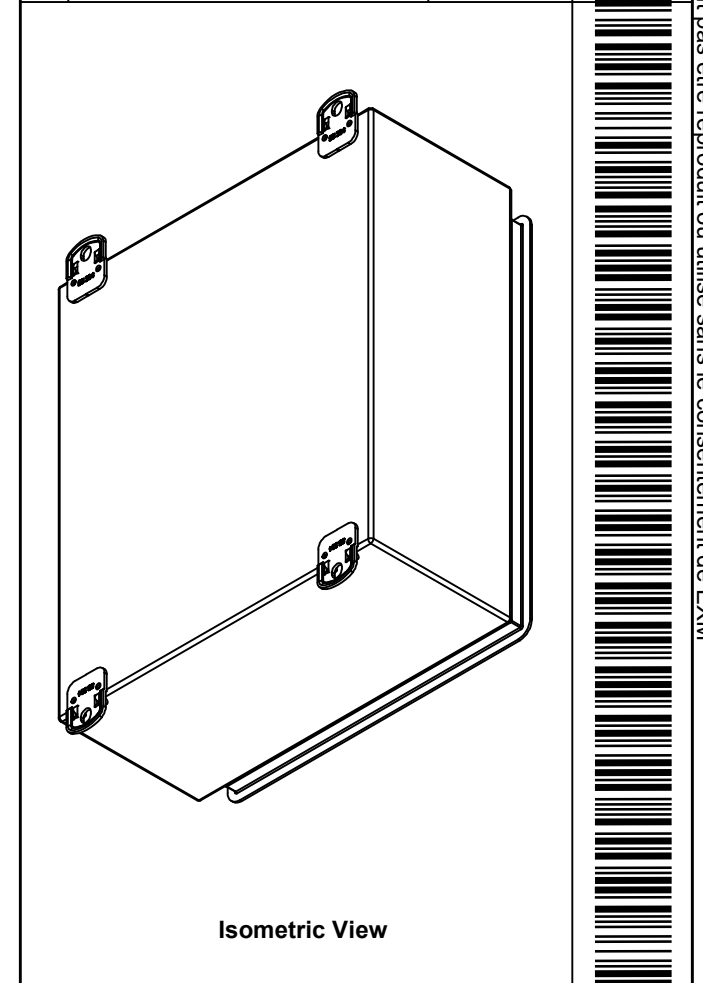


| | | |
|--|--------------------------------|-------------------|
| | Description | Status |
| | 5412ESSPCH 12" x 10" x 5" Body | (NULL) |
| | Part Number Numéro Pièce | Rev. |
| | 5412ESSPCH1210056B | 0 / 5 9 |

This drawing is confidential and must not be reproduced or used without the consent of EXM

Ce dessin est confidentiel et ne doit pas être reproduit ou utilisé sans le consentement de EXM

| No. | Revisions | Date | By/Par |
|-----|-----------|------|--------|
| | | | |
| | | | |
| | | | |
| | | | |
| | | | |



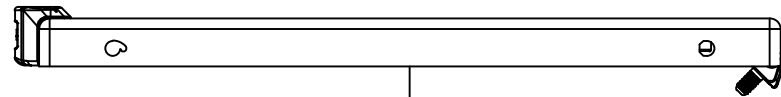
| | | |
|--|--|--|
|  Tél: (450) 979-4373 Fax: (450) 979-4626 www.exmweb.com | | Flatness Aplatissement Max 3.0mm |
| Customer Client | | Date |
| Drawn By Dessiné Par BoxCad: BoxCad | | Date 28-Jan-26 |
| Material Matière 16 Ga Stainless Steel 316 (1.4mm) | | |
| Color Couleur Asa-61 Grey | | Finish Fini Smooth |
| Description 5412ESSPCH 12" x 10" x 5" Body | | Detail Rev. |
| Part Number Numéro Pièce 5412ESSPCH1210056B | | Rev. 0 |

| Qty | Part Number | Rev | Description |
|------------|----------------------|-----|---|
| 4 | STK-Q-71316 | 4 | 5412 ESSMCH Stainless Steel Mounting Foot |
| 1 | STK-P-02400S | 0 | Powder Paint (Asa-61 Grey / Smooth) |
| 1 | 5412ESSPCH1210056B-P | 0 | 5412ESSPCH 12" x 10" x 5" Body Part |
| 5 | STK-Q-08500 | 4 | Stainless Steel Standoff M6 x 10mm |
| Parts List | | | |

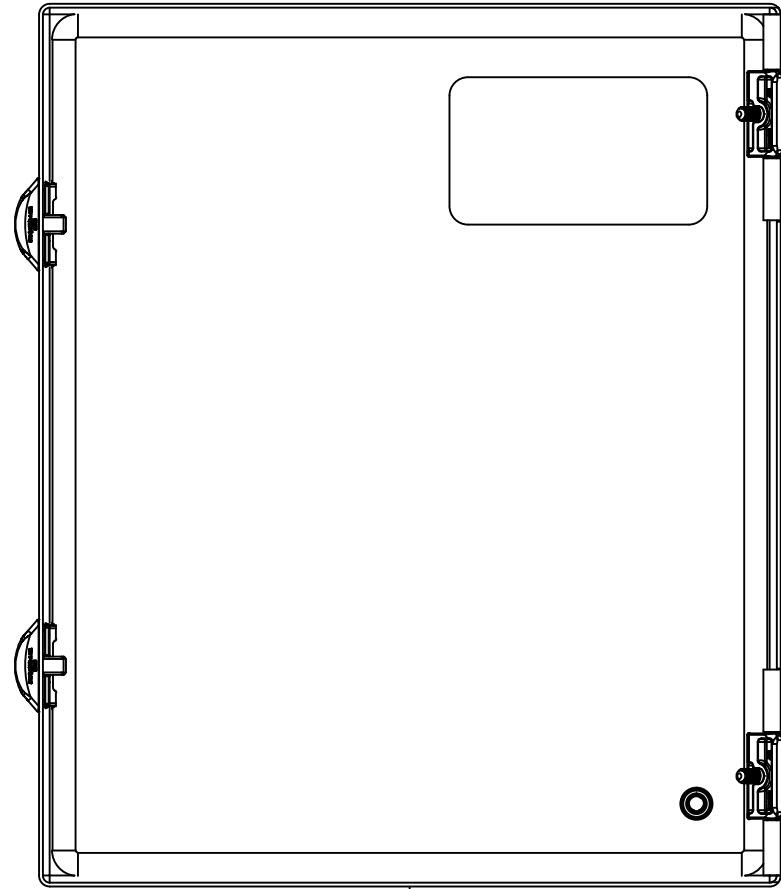
| |
|---|
| 6 |
| 9 |

This drawing is confidential and must not be reproduced or used without the consent of EXM

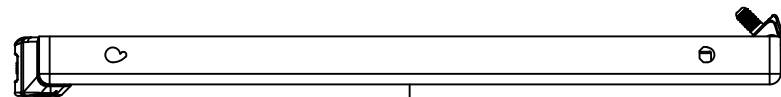
Ce dessin est confidentiel et ne doit pas être reproduit ou utilisé sans le consentement de EXM



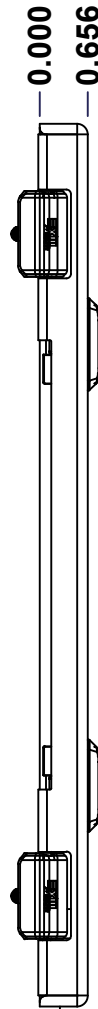
TOP



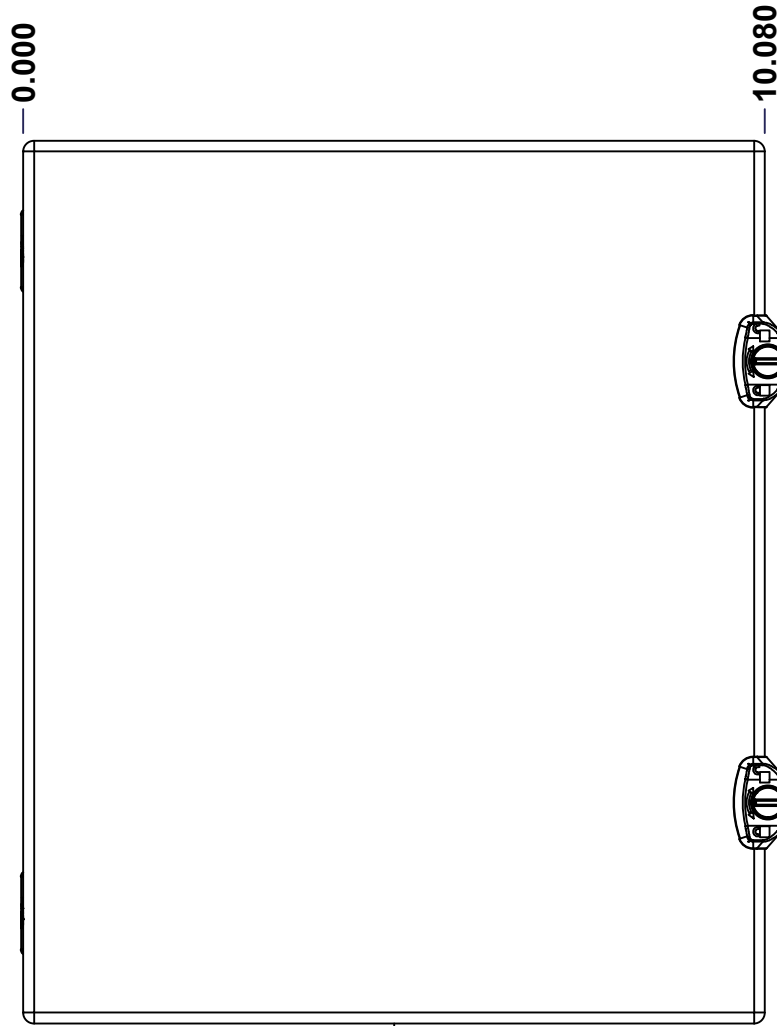
BACK



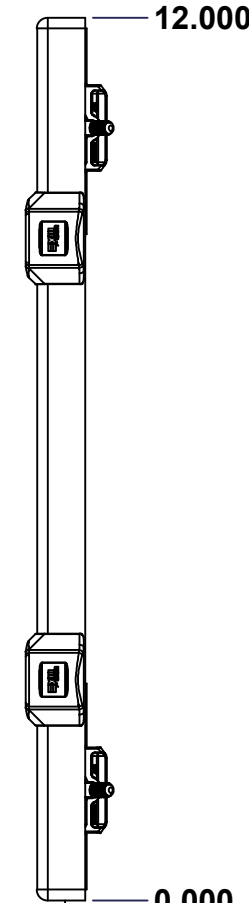
BOTTOM



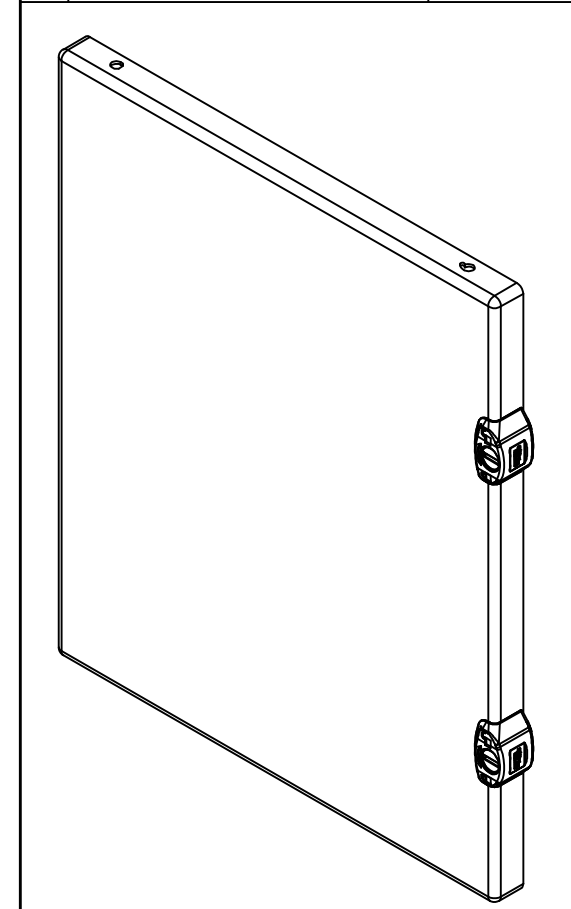
LEFT



FRONT



RIGHT



Isometric View



| No. | Revisions | Date | By/Par |
|-----|-----------|------|--------|
| | | | |
| | | | |
| | | | |
| | | | |

| | | |
|--|-----------------------------------|---|
|  Tél: (450) 979-4373 Fax: (450) 979-4626 www.exmweb.com | | Flatness Aplatissement Max 3.0mm Projection  |
| Customer Client | Date | |
| Drawn By Dessiné Par | BoxCad: BoxCad | Date 28-Jan-26 |
| Material Matière | 16 Ga Stainless Steel 316 (1.4mm) | |
| Color Couleur | Asa-61 Grey | Finish Fini Smooth |
| Description | Detail Rev. | |
| 5412ESSPCH 12" x 10" Cover | | |
| Part Number Numéro Pièce | Rev. | 7 |
| SEE BILL OF MATERIAL ON LAST PAGE | 5412ESSPCH1210056C | 0 |

SEE BILL OF MATERIAL ON LAST PAGE

5412ESSPCH1210056C

Rev. 7
0

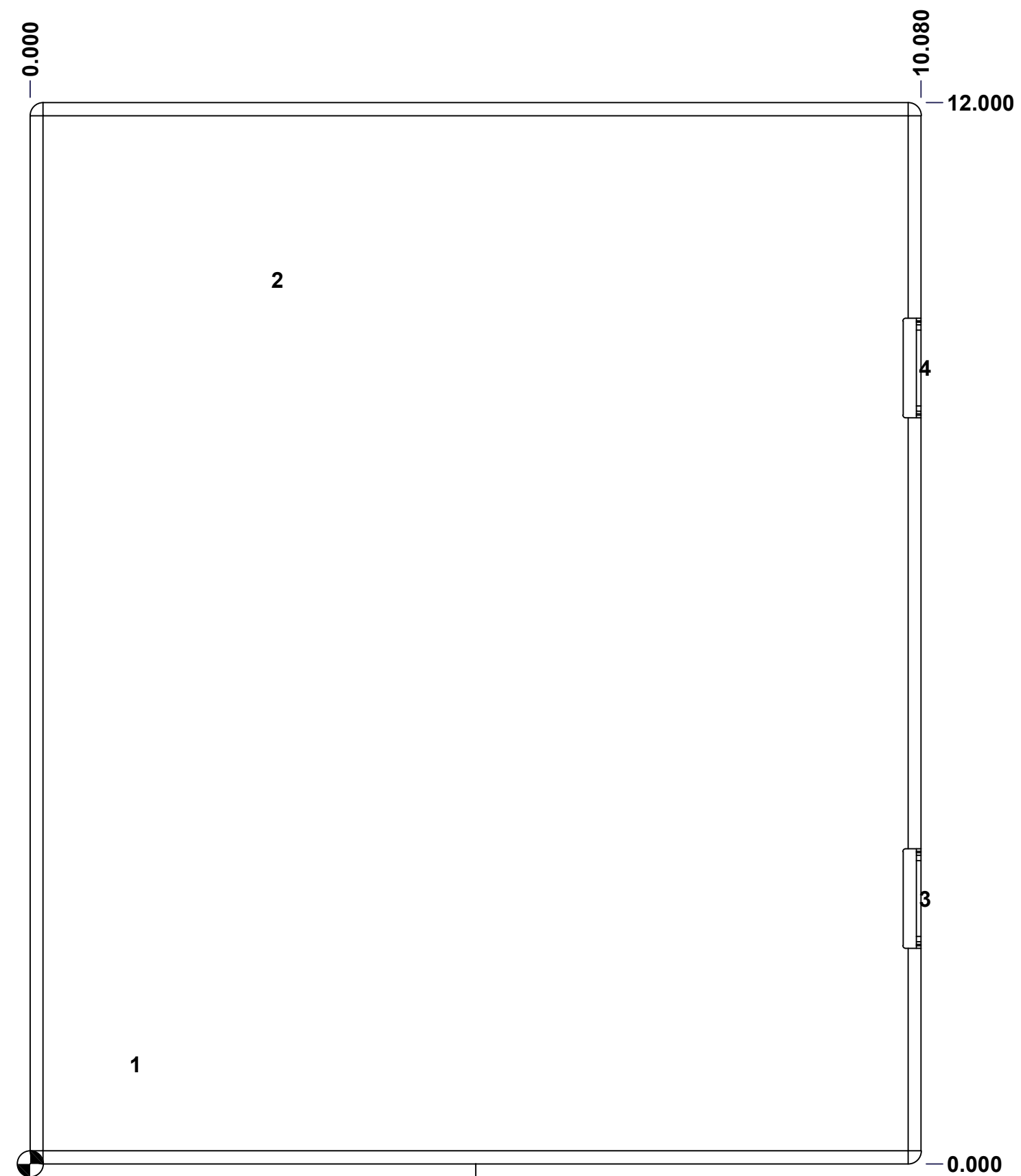
This drawing is confidential and must not be reproduced or used without the consent of EXM

Ce dessin est confidentiel et ne doit pas être reproduit ou utilisé sans le consentement de EXM

STANDARD FEATURES ARE NOT LISTED IN THIS HOLE TABLE

HOLE TABLE - FRONT VIEW (CUSTOM FEATURE ONLY)

| CUT-OUT | XDIM | YDIM | DESCRIPTION |
|---------|--------|--------|-----------------------------|
| 1 | 1.145 | 1.125 | STANDOFF M6 x 10mm (Inside) |
| 2 | 2.750 | 10.000 | LABEL_EXM (Inside) |
| 3 | 10.080 | 3.000 | LOCK 880 SCQ2-SLSS @ 0.0° |
| 4 | 10.080 | 9.000 | LOCK 880 SCQ2-SLSS @ 0.0° |



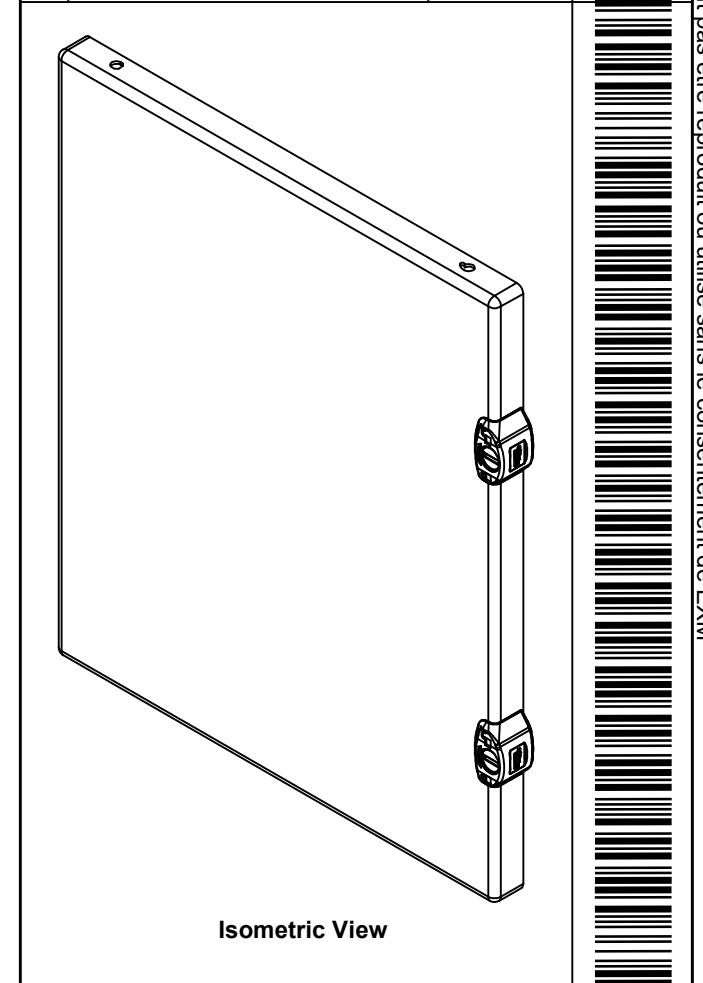
FRONT

| | | | |
|--|-----------------------------|----------|-----|
| | Description | Status | |
| | 5412ESSPCH 12" x 10" Cover | (NULL) | |
| | Part Number Numéro Pièce | Rev. | |
| | 5412ESSPCH1210056C | 0 | 8/9 |

This drawing is confidential and must not be reproduced or used without the consent of EXM

Ce dessin est confidentiel et ne doit pas être reproduit ou utilisé sans le consentement de EXM

| No. | Revisions | Date | By/Par |
|-----|-----------|------|--------|
| | | | |
| | | | |
| | | | |
| | | | |
| | | | |



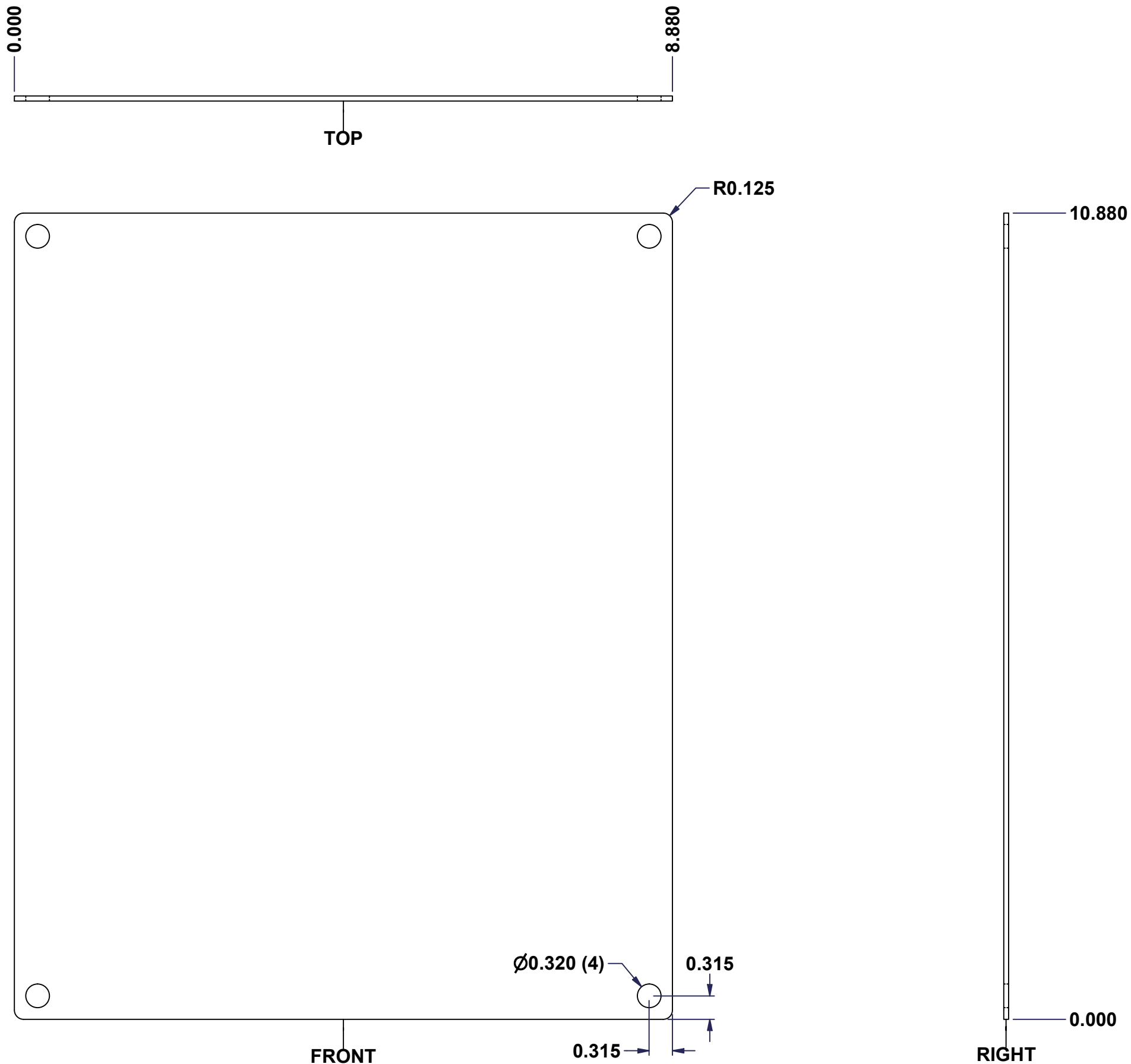
Isometric View

| | | |
|--|-----------------------------------|---|
|  Tél: (450) 979-4373 Fax: (450) 979-4626 www.exmweb.com | | Flatness Aplatissement Max 3.0mm Projection  |
| Customer Client | Date | |
| Drawn By Dessiné Par | BoxCad: BoxCad | Date 28-Jan-26 |
| Material Matière | 16 Ga Stainless Steel 316 (1.4mm) | |
| Color Couleur | Asa-61 Grey | Finish Fini Smooth |
| Description | | Detail Rev. |
| 5412ESSPCH 12" x 10" Cover | | |
| Part Number Numéro Pièce | Rev. | 9 |
| 5412ESSPCH1210056C | 0 | 9 |

| QTY | Part Number | Rev | Description |
|------------|----------------------|-----|--|
| 2 | STK-A-79961 | 11 | 5412 ESSMCH - Stainless Steel External Lock Assy - Slot Lock |
| 1 | STK-S-00100 | 0 | 3.5" x 2" Silver Milar Flexcon Sticker |
| 1 | STK-Q-08500 | 4 | Stainless Steel Standoff M6 x 10mm |
| 1 | STK-P-02400S | 0 | Powder Paint (Asa-61 Grey / Smooth) |
| 2 | STK-A-33038 | 5 | 5412 ESSCH Hinge Assembly |
| 1 | 5412ESSPCH1210056G | 0 | 5412ESSPCH 12" x 10" Gasket |
| 1 | 5412ESSPCH1210056C-P | 0 | 5412ESSPCH 12" x 10" Cover Part |
| Parts List | | | |

This drawing is confidential and must not be reproduced or used without the consent of EXM

Ce dessin est confidentiel et ne doit pas être reproduit ou utilisé sans le consentement de EXM



| No. | Revisions | Date | By/Par |
|-----|-----------|------|--------|
| | | | |
| | | | |
| | | | |
| | | | |
| | | | |

Isometric View

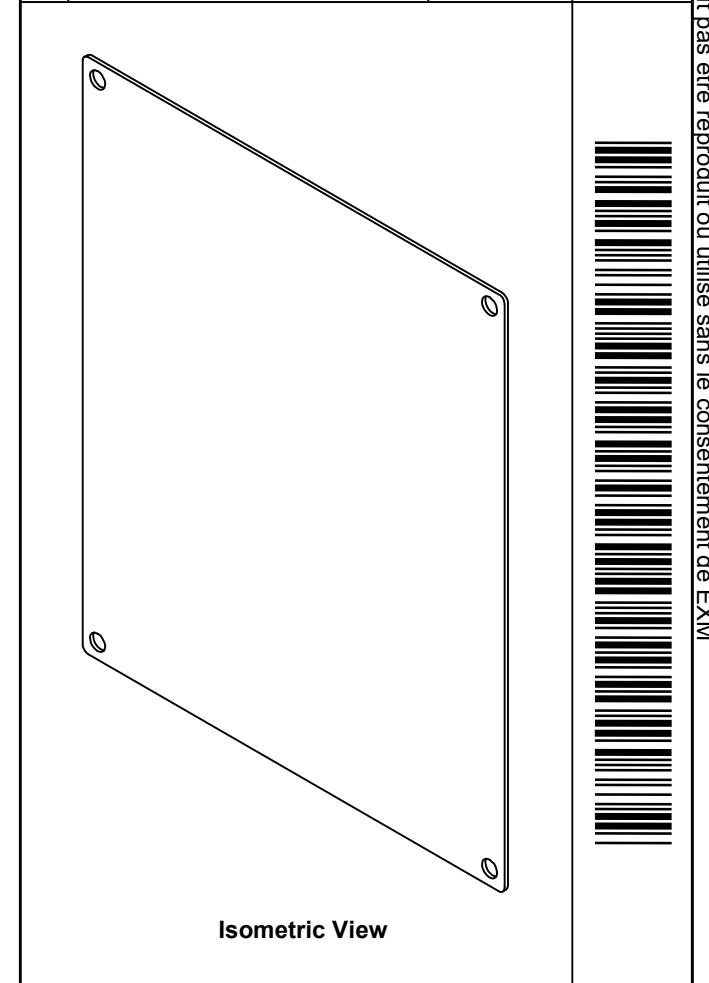
| | | |
|--|---------------------------|---------------------------|
| Tél: (450) 979-4373 Fax: (450) 979-4626 www.exmweb.com | | Flatness Aplatissement |
| | | Max 3.0mm |
| Customer Client | | Date |
| Drawn By Dessiné Par BoxCad | | Date 23-Jan-07 |
| Material Matière 14 Ga Galvanized (1.7mm) | | |
| Color Couleur Unpainted | Finish Fini Galvanized | |
| Description 880 SP1210G - Inner Panel | | Detail Rev. |
| Part Number Numéro Pièce 880 SP1210G | | Rev. 1 0 2 |


SEE BILL OF MATERIAL ON LAST PAGE

This drawing is confidential and must not be reproduced or used without the consent of EXM

Ce dessin est confidentiel et ne doit pas être reproduit ou utilisé sans le consentement de EXM

| No. | Revisions | Date | By/Par |
|-----|-----------|------|--------|
| | | | |
| | | | |
| | | | |
| | | | |
| | | | |



| | | |
|--|---------------------------|--|
|  Tél: (450) 979-4373 Fax: (450) 979-4626 www.exmweb.com | | Flatness Aplatissement Max 3.0mm |
| Customer Client | | Date |
| Drawn By / Dessiné Par: BoxCad | | Date: 23-Jan-07 |
| Material / Matière: 14 Ga Galvanized (1.7mm) | | |
| Color / Couleur: Unpainted | Finish / Fini: Galvanized | |
| Description: 880 SP1210G - Inner Panel | | Detail Rev. |
| Part Number / Numéro Pièce: 880 SP1210G | | Rev. 0 / 2 |

| Qty | Part Number | Rev | Description |
|------------|---------------|-----|--------------------------------|
| 1 | 880 SP1210G-P | 0 | 880 SP1210G - Inner Panel Part |
| Parts List | | | |