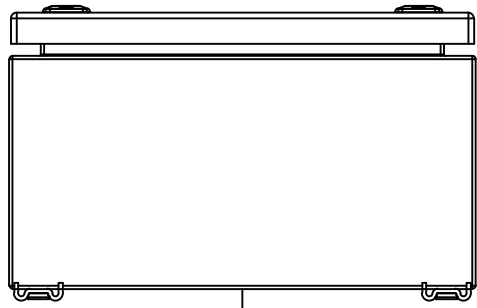
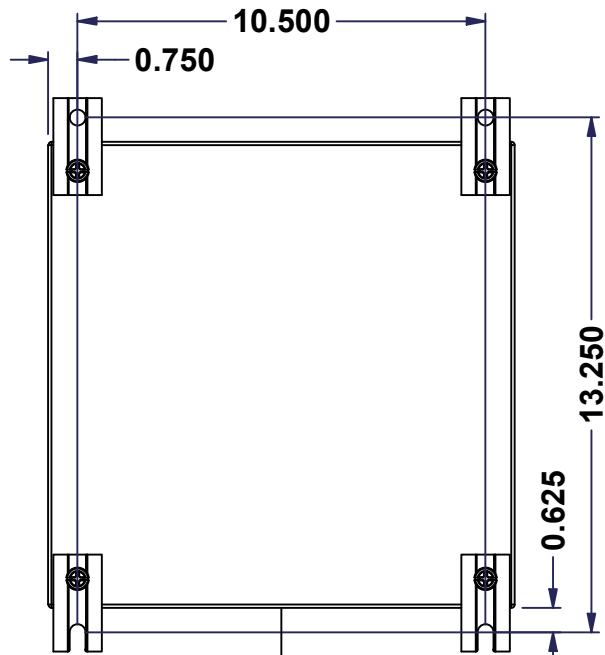


This drawing is confidential and must not be reproduced or used without the consent of EXM

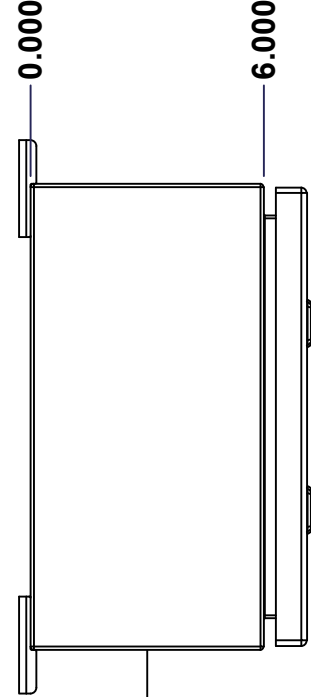
Ce dessin est confidentiel et ne doit pas être reproduit ou utilisé sans le consentement de EXM



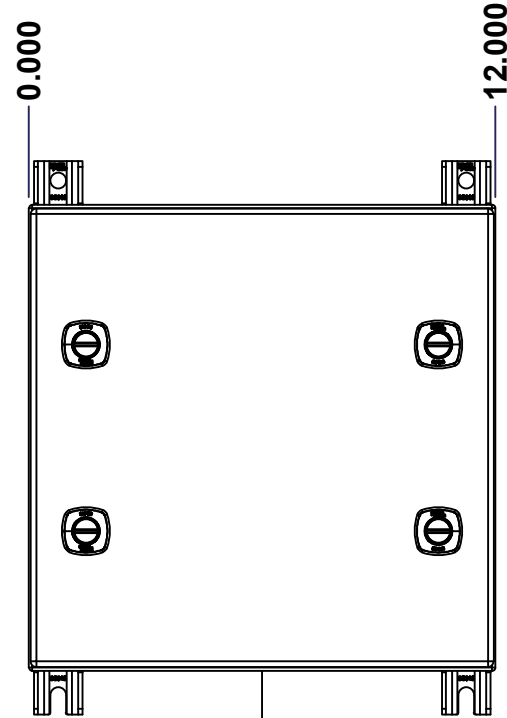
TOP



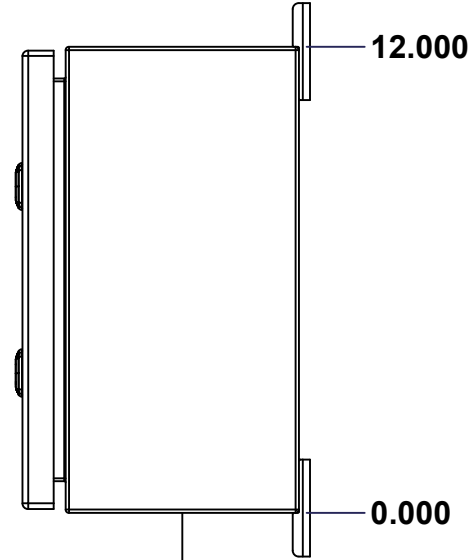
BACK



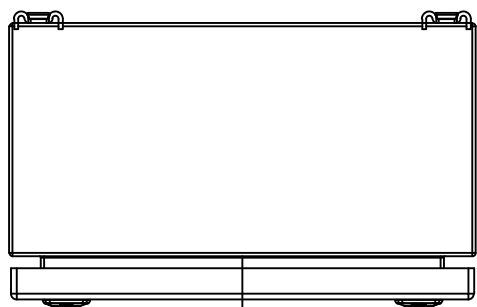
LEFT



FRONT

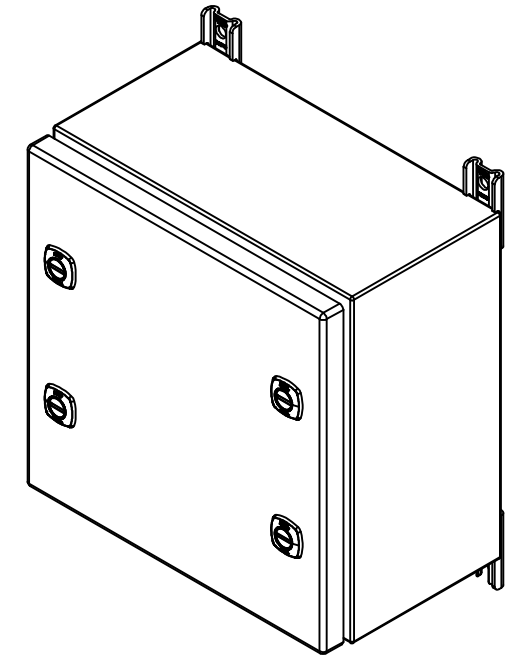


RIGHT



BOTTOM

| No. | Revisions | Date | By/Par |
|-----|-----------|------|--------|
| | | | |
| | | | |
| | | | |
| | | | |



Isometric View



**GRAIN DIRECTION:
TOP/BOTTOM: HORIZONTAL
LEFT/RIGHT/BACK/FRONT: VERTICAL**

SEE BILL OF MATERIAL ON LAST PAGE

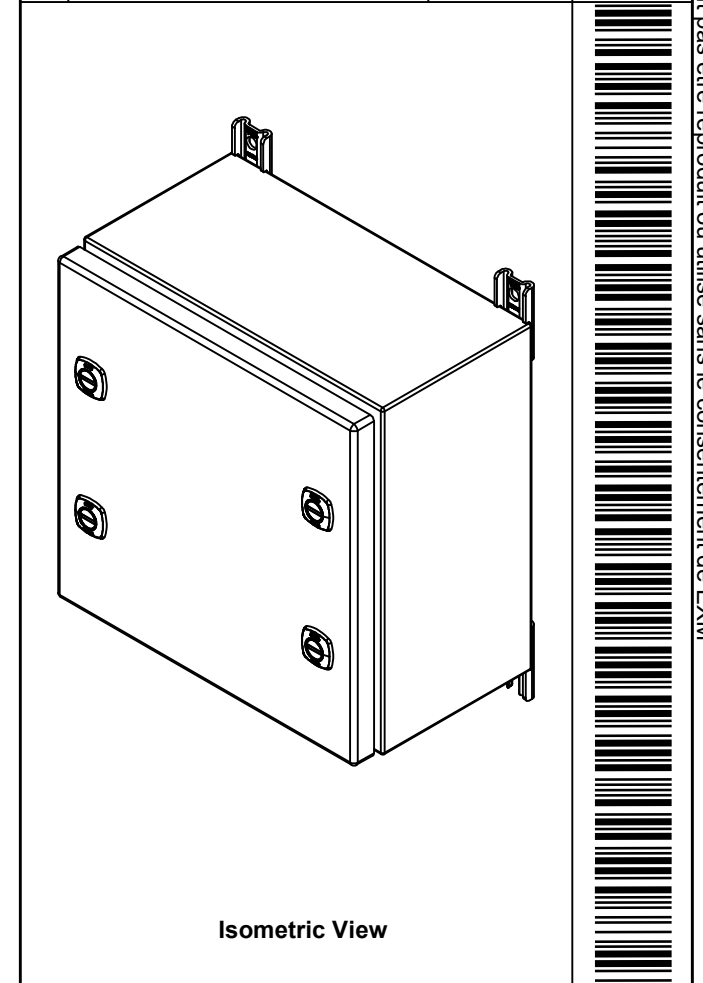
| | |
|---|--|
| | Flatness Aplatissement Max 3.0mm |
| | Projection |
| Customer Client | Date |
| Drawn By Dessiné Par BoxCad: BoxCad | Date 29-Jan-26 |
| Material Matière 16 Ga Stainless Steel 304 (1.4mm) | |
| Color Couleur Unpainted | Finish Fini Brushed |
| Description 5412ESSQT 12" x 12" x 6" Assembly | |
| Part Number Numéro Pièce 5412ESSQT121206TH | Detail Rev. Rev. 1 0 |


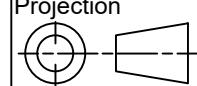
This drawing is confidential and must not be reproduced or used without the consent of EXM

Ce dessin est confidentiel et ne doit pas être reproduit ou utilisé sans le consentement de EXM

| NOTE | |
|------|---|
| ITEM | DESCRIPTION |
| 1 | NEMA 4X Enclosure (IP66) |
| 2 | C/W Standard ground studs on box and cover |
| 3 | C/W Standard door stiffener |
| 4 | C/W Standard inner panel (Included) |
| 5 | C/W Standard inner panel mounting studs |
| 6 | C/W 885 ESMF4_OPEN Sold separately (Installed) |
| 7 | C/W 885 ESMF4_CLOSE Sold separately (Installed) |
| 8 | C/W R5 Insulation (Installed aluminum visible) |

| No. | Revisions | Date | By/Par |
|-----|-----------|------|--------|
| | | | |
| | | | |
| | | | |
| | | | |
| | | | |
| | | | |



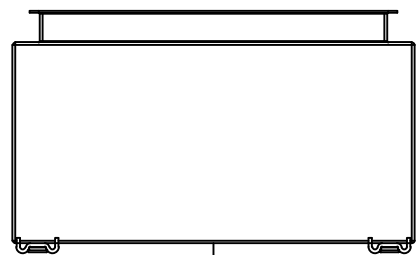
| | | |
|--|-----------------------------------|---|
|  Tél: (450) 979-4373 Fax: (450) 979-4626 www.exmweb.com | | Flatness Aplatissement Max 3.0mm Projection  |
| Customer Client | Date | |
| Drawn By Dessiné Par | BoxCad: BoxCad | Date 29-Jan-26 |
| Material Matière | 16 Ga Stainless Steel 304 (1.4mm) | |
| Color Couleur | Unpainted | Finish Fini Brushed |
| Description | Detail Rev. | |
| 5412ESSQT 12" x 12" x 6" Assembly | | |
| Part Number Numéro Pièce | Rev. | 2 |
| 5412ESSQT121206TH | 0 | 16 |

| PACKING | | |
|-----------------------|-----|--|
| ITEM | QTY | DESCRIPTION |
| Cardboard sleeve | 2 | Top and Bottom |
| Cardboard strip | 2 | Between back of enclosure and inner panel |
| Plastic bag | 1 | To protect cover surface and inside gasket |
| Plastic strap - Black | 2 | To Squeeze the 2 cardboard sleeve together |
| Packaging label | 1 | White label with product number |

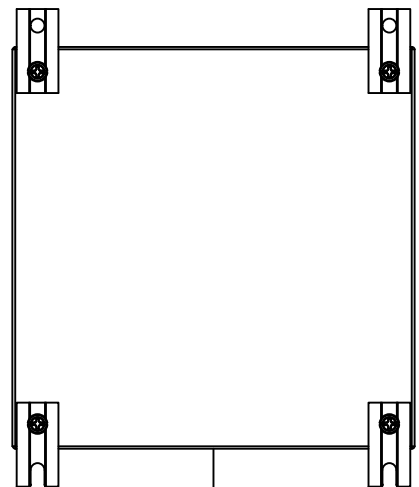
| Qty | Part Number | Rev | Description |
|------------|--------------------|-----|-------------------------------|
| 1 | STK-K-01800 | 5 | 5412 ES Accessory Kit |
| 4 | STK-Q-00600 | 2 | M12 to M8 Adaptor |
| 1 | 881 SP1212G | 0 | 881 SP - Inner Panel |
| 1 | 5412ESSQT121206THC | 0 | 5412ESSQT 12" x 12" Cover |
| 1 | 5412ESSQT121206THB | 0 | 5412ESSQT 12" x 12" x 6" Body |
| Parts List | | | |

This drawing is confidential and must not be reproduced or used without the consent of EXM

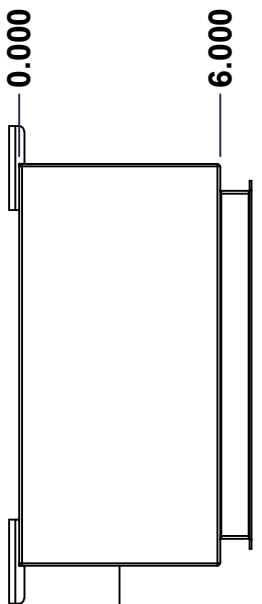
Ce dessin est confidentiel et ne doit pas être reproduit ou utilisé sans le consentement de EXM



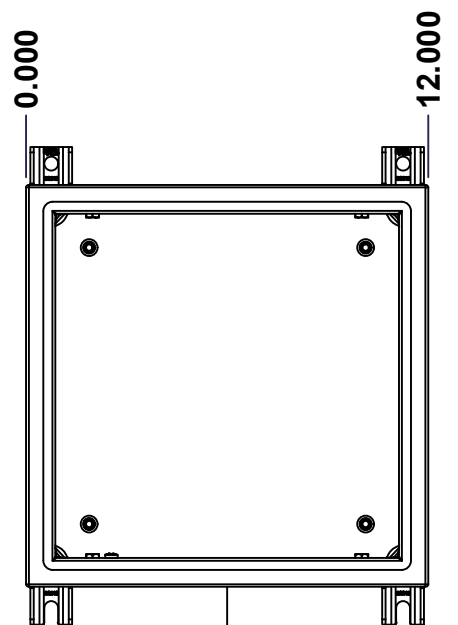
TOP



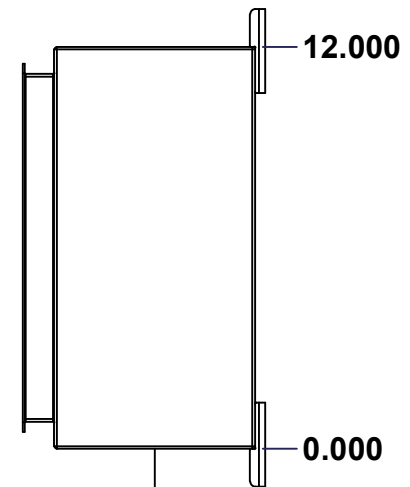
BACK



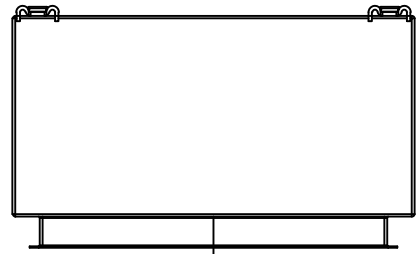
LEFT



FRONT

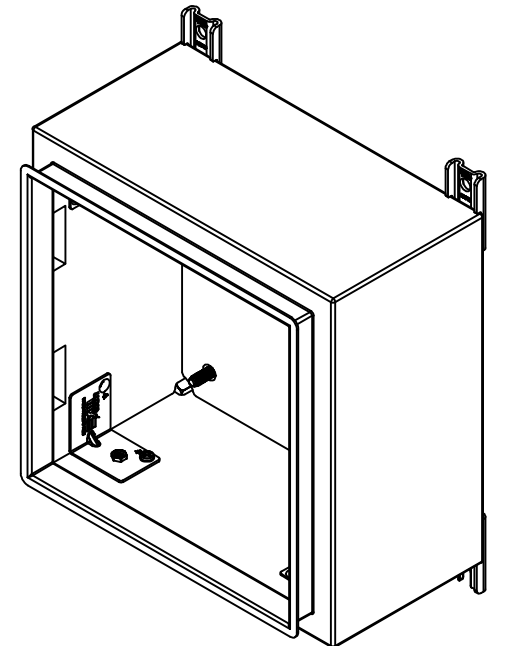


RIGHT



BOTTOM

| No. | Revisions | Date | By/Par |
|-----|-----------|------|--------|
| | | | |
| | | | |
| | | | |
| | | | |



Isometric View



Tél: (450) 979-4373
 Fax: (450) 979-4626
www.exmweb.com

Flatness
Aplatissement
Max 3.0mm
Projection

| | |
|---|------------------------|
| Customer Client | Date |
| Drawn By Dessiné Par BoxCad: BoxCad | Date 29-Jan-26 |
| Material Matière 16 Ga Stainless Steel 304 (1.4mm) | |
| Color Couleur Unpainted | Finish Fini Brushed |
| Description 5412ESSQT 12" x 12" x 6" Body | Detail Rev. |

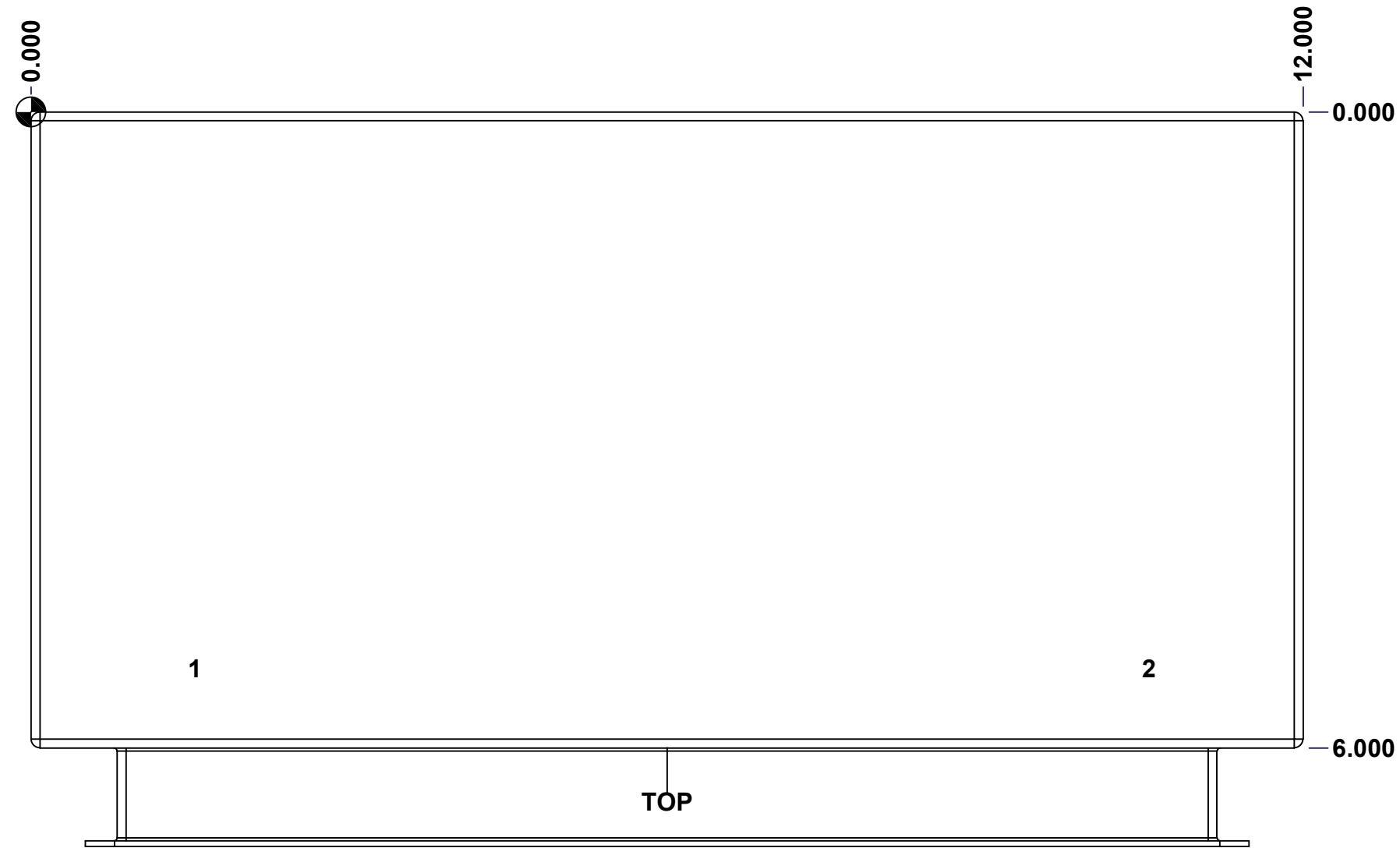
| | | |
|-----------------------------|----------|----|
| Part Number Numéro Pièce | Rev. | 3 |
| 5412ESSQT121206THB | 0 | 16 |

SEE BILL OF MATERIAL ON LAST PAGE

This drawing is confidential and must not be reproduced or used without the consent of EXM

Ce dessin est confidentiel et ne doit pas être reproduit ou utilisé sans le consentement de EXM

| STANDARD FEATURES ARE NOT LISTED IN THIS HOLE TABLE | | | |
|---|--------|-------|--------------------------------|
| HOLE TABLE - TOP VIEW (CUSTOM FEATURE ONLY) | | | |
| CUT-OUT | XDIM | YDIM | DESCRIPTION |
| 1 | 1.500 | 5.250 | INSUL. STUD M6 x 18mm (Inside) |
| 2 | 10.500 | 5.250 | INSUL. STUD M6 x 18mm (Inside) |

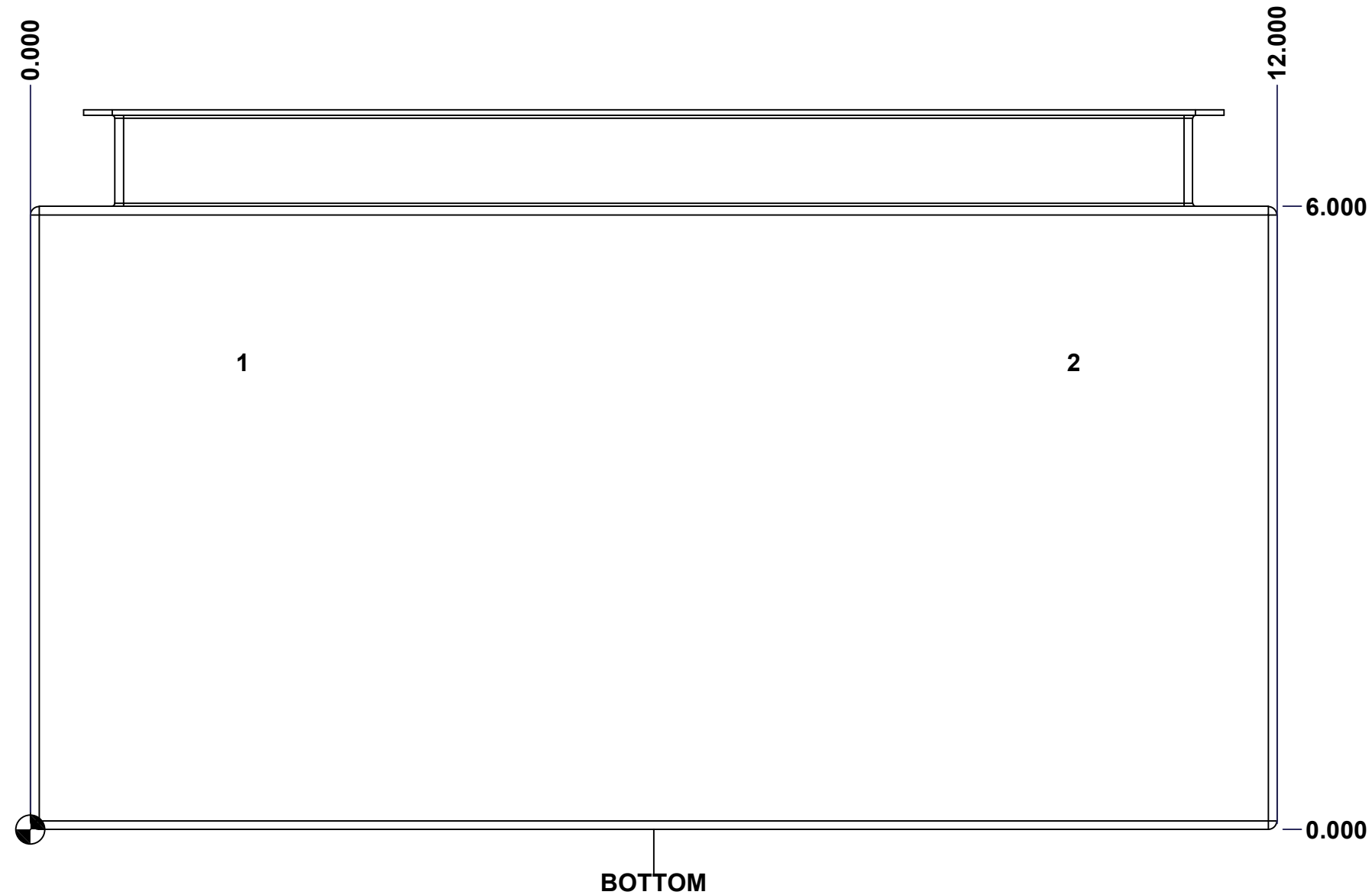


| | | |
|--|-------------------------------|--------------|
| | Description | Status |
| | 5412ESSQT 12" x 12" x 6" Body | (NULL) |
| | Part Number Numéro Pièce | Rev. |
| | 5412ESSQT121206THB | 0 / 4 |
| | | 16 |

This drawing is confidential and must not be reproduced or used without the consent of EXM

Ce dessin est confidentiel et ne doit pas être reproduit ou utilisé sans le consentement de EXM

| STANDARD FEATURES ARE NOT LISTED IN THIS HOLE TABLE | | | |
|--|--------|-------|--------------------------------|
| HOLE TABLE - BOTTOM VIEW (CUSTOM FEATURE ONLY) | | | |
| CUT-OUT | XDIM | YDIM | DESCRIPTION |
| 1 | 2.000 | 4.500 | INSUL. STUD M6 x 18mm (Inside) |
| 2 | 10.000 | 4.500 | INSUL. STUD M6 x 18mm (Inside) |



| | | |
|--|-------------------------------|--------------|
| | Description | Status |
| | 5412ESSQT 12" x 12" x 6" Body | (NULL) |
| | Part Number Numéro Pièce | Rev. |
| | 5412ESSQT121206THB | 0 / 5 |
| | | 16 |

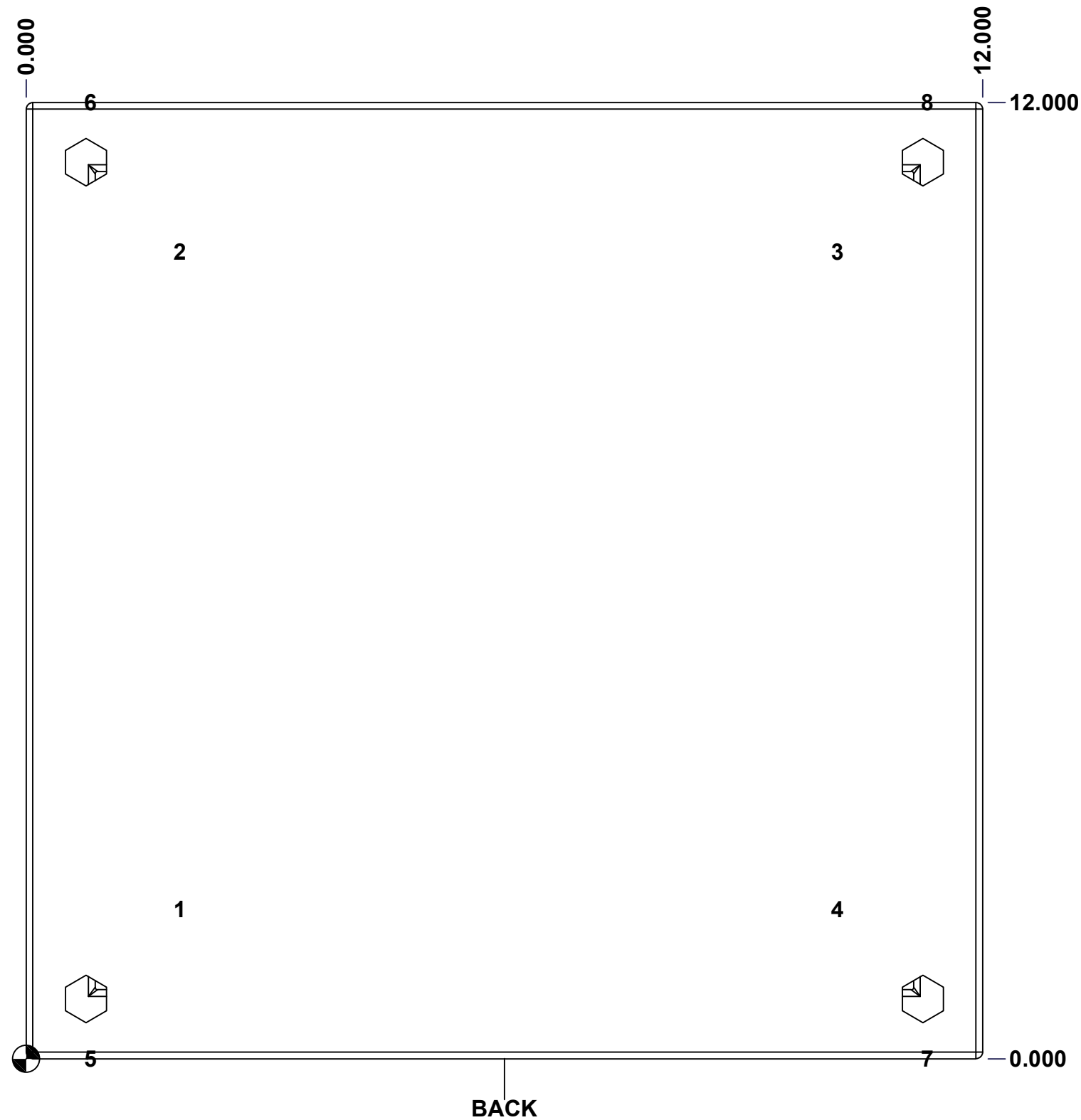
This drawing is confidential and must not be reproduced or used without the consent of EXM

Ce dessin est confidentiel et ne doit pas être reproduit ou utilisé sans le consentement de EXM

STANDARD FEATURES ARE NOT LISTED IN THIS HOLE TABLE

HOLE TABLE - BACK VIEW (CUSTOM FEATURE ONLY)

| CUT-OUT | XDIM | YDIM | DESCRIPTION |
|---------|--------|--------|----------------------------|
| 1 | 1.875 | 1.875 | IP STUD M8 x 35mm (Inside) |
| 2 | 1.875 | 10.125 | IP STUD M8 x 35mm (Inside) |
| 3 | 10.125 | 10.125 | IP STUD M8 x 35mm (Inside) |
| 4 | 10.125 | 1.875 | IP STUD M8 x 35mm (Inside) |
| ----- | | | |
| 5 | 0.750 | 0.000 | FOOT 885 ESMF4_OPEN |
| 6 | 0.750 | 12.000 | FOOT 885 ESMF4_CLOSE |
| 7 | 11.250 | 0.000 | FOOT 885 ESMF4_OPEN |
| 8 | 11.250 | 12.000 | FOOT 885 ESMF4_CLOSE |

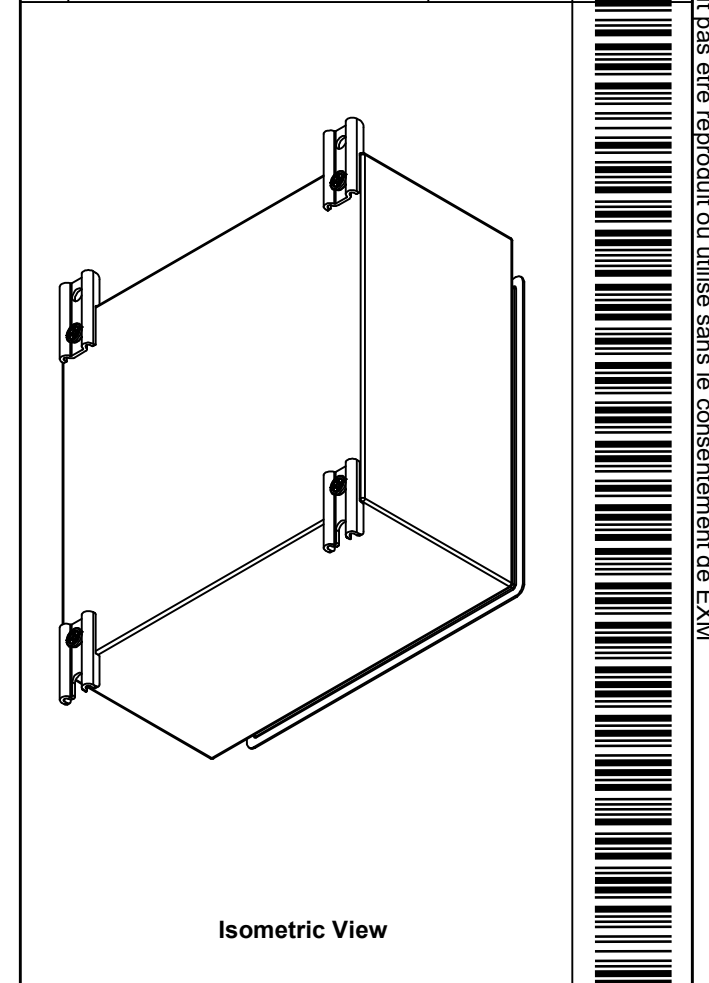


| | | |
|--|-------------------------------|--------------|
| | Description | Status |
| | 5412ESSQT 12" x 12" x 6" Body | (NULL) |
| | Part Number Numéro Pièce | Rev. |
| | 5412ESSQT121206THB | 0 / 6 |
| | | 16 |

This drawing is confidential and must not be reproduced or used without the consent of EXM

Ce dessin est confidentiel et ne doit pas être reproduit ou utilisé sans le consentement de EXM

| No. | Revisions | Date | By/Par |
|-----|-----------|------|--------|
| | | | |
| | | | |
| | | | |
| | | | |
| | | | |

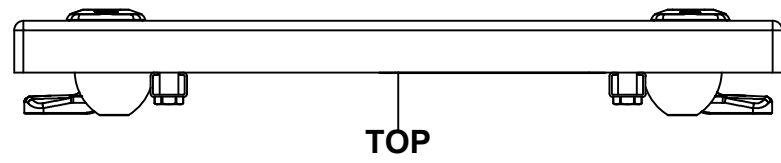


| | | | |
|------------|----------------------------|-----|---|
| 1 | 885 ESMF4 | 0 | 885 ESMF4 Mounting Foot Kit |
| 1 | STK-K-70554 | 3 | 5412 ESTH Accessory Kit |
| 1 | 5412ESSQT121206THI-R S | 0 | 5412ESSQT 12" x 12" Right Insulation |
| 1 | 5412ESSQT121206THI-L S | 0 | 5412ESSQT 12" x 12" Left Insulation |
| 1 | 5412ESSQT121206THI-B T | 0 | 5412ESSQT 12" x 12"Bottom Insulation |
| 1 | 5412ESSQT121206THI-T P | 0 | 5412ESSQT 12" x 12"Top Insulation |
| 1 | 5412ESSQT121206THI-B | 0 | 5412ESSQT 12" x 12" Back Insulation |
| 4 | STK-Q-16070 | 1 | Stud M6 x 18mm Stainless steel |
| 4 | RIVET_NUT_SS_M10_FH _CE | 0 | Stainless Steel Rivet Nut M10 (Low Profile Close End) |
| 4 | STK-Q-16020 | 1 | Stud M8 x 35mm Stainless Steel |
| 1 | 5412ESSQT121206THB-P | 0 | 5412ESSQT 12" x 12" x 6" Body Part |
| Qty | Part Number | Rev | Description |
| Parts List | | | |

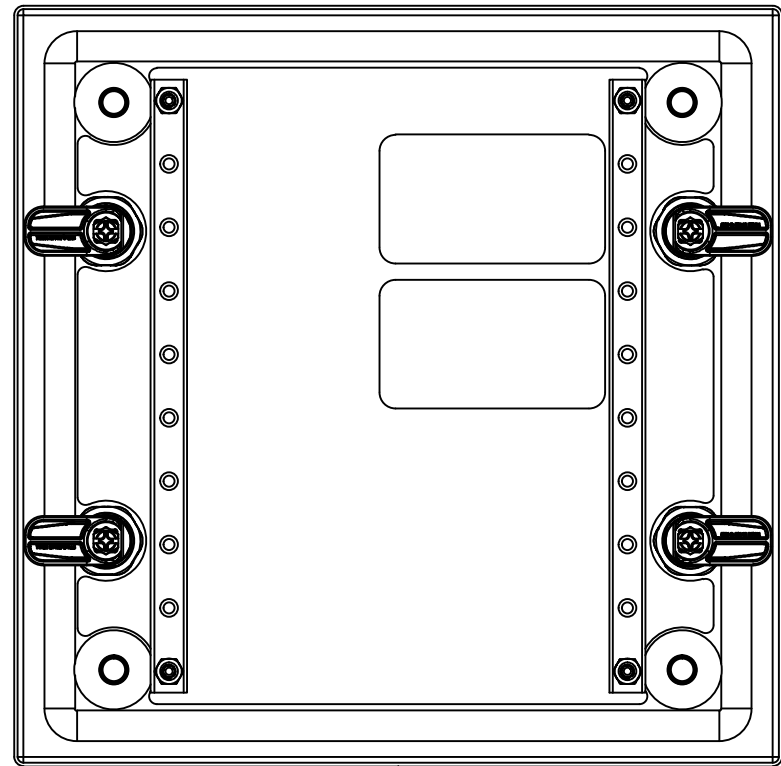
| | | |
|-------------------------------|--|--|
| | Tél: (450) 979-4373 Fax: (450) 979-4626 www.exmweb.com | Flatness Aplatissement Max 3.0mm |
| | Projection | |
| Customer Client | Date | |
| Drawn By Dessiné Par | BoxCad: BoxCad | Date 29-Jan-26 |
| Material Matière | 16 Ga Stainless Steel 304 (1.4mm) | |
| Color Couleur | Unpainted | Finish Fini Brushed |
| Description | Detail Rev. | |
| 5412ESSQT 12" x 12" x 6" Body | | |
| Part Number Numéro Pièce | Rev. | 7 |
| 5412ESSQT121206THB | 0 | 16 |

This drawing is confidential and must not be reproduced or used without the consent of EXM

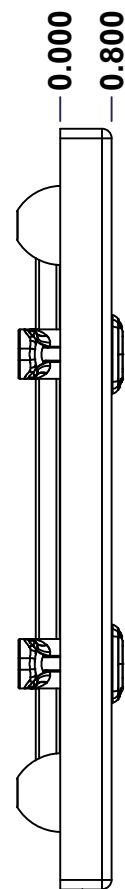
Ce dessin est confidentiel et ne doit pas être reproduit ou utilisé sans le consentement de EXM



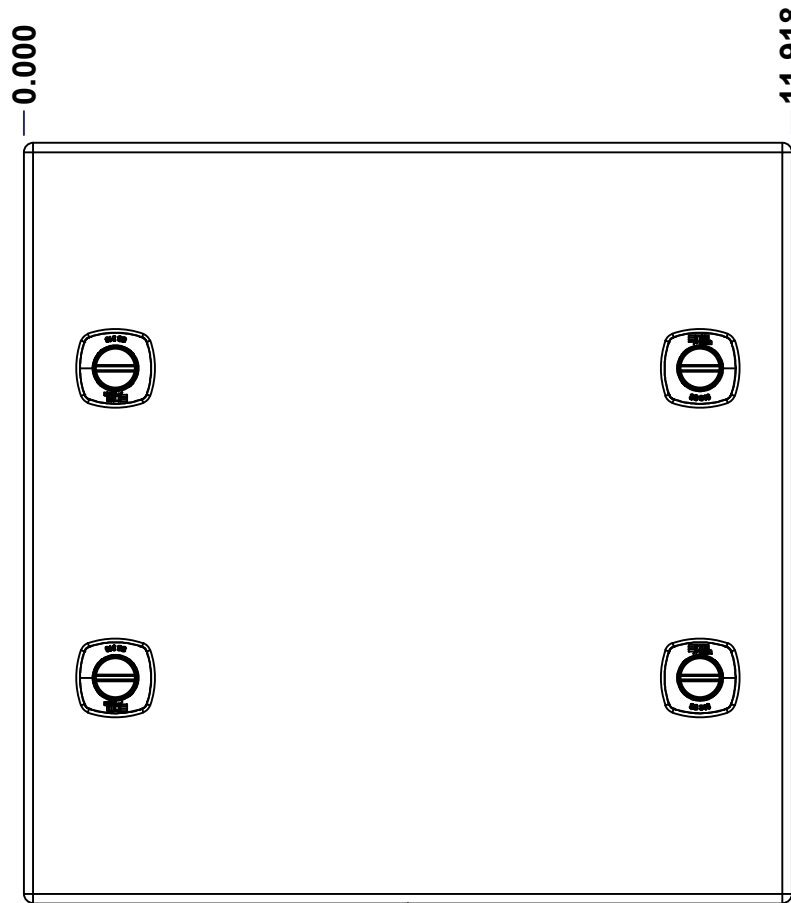
TOP



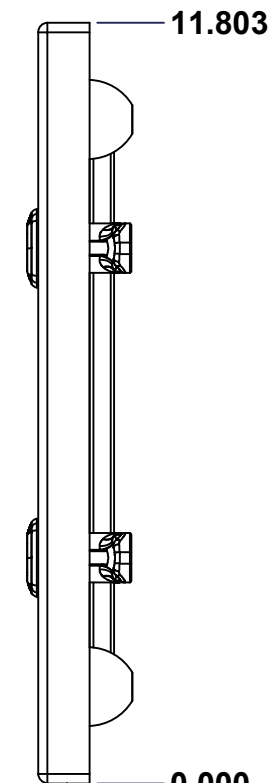
BACK



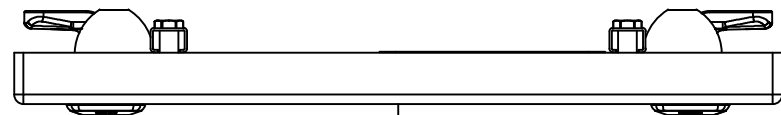
LEFT



FRONT

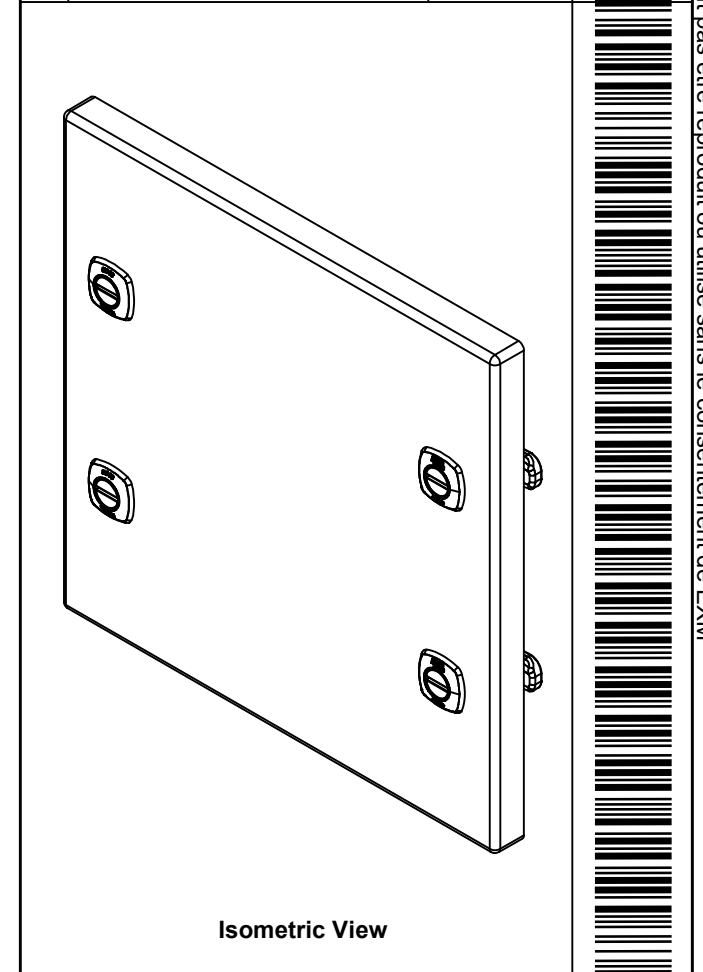


RIGHT



BOTTOM

| No. | Revisions | Date | By/Par |
|-----|-----------|------|--------|
| | | | |
| | | | |
| | | | |
| | | | |



Isometric View

| | |
|---|--|
| | Flatness Aplatissement Max 3.0mm |
| | Projection |
| Customer Client | Date |
| Drawn By Dessiné Par BoxCad: BoxCad | Date 29-Jan-26 |
| Material Matière 16 Ga Stainless Steel 304 (1.4mm) | |
| Color Couleur Unpainted | Finish Fini Brushed |
| Description 5412ESSQT 12" x 12" Cover | |
| Part Number Numéro Pièce 5412ESSQT121206THC | Detail Rev. Rev. 8 0 |

SEE BILL OF MATERIAL ON LAST PAGE

5412ESSQT121206THC

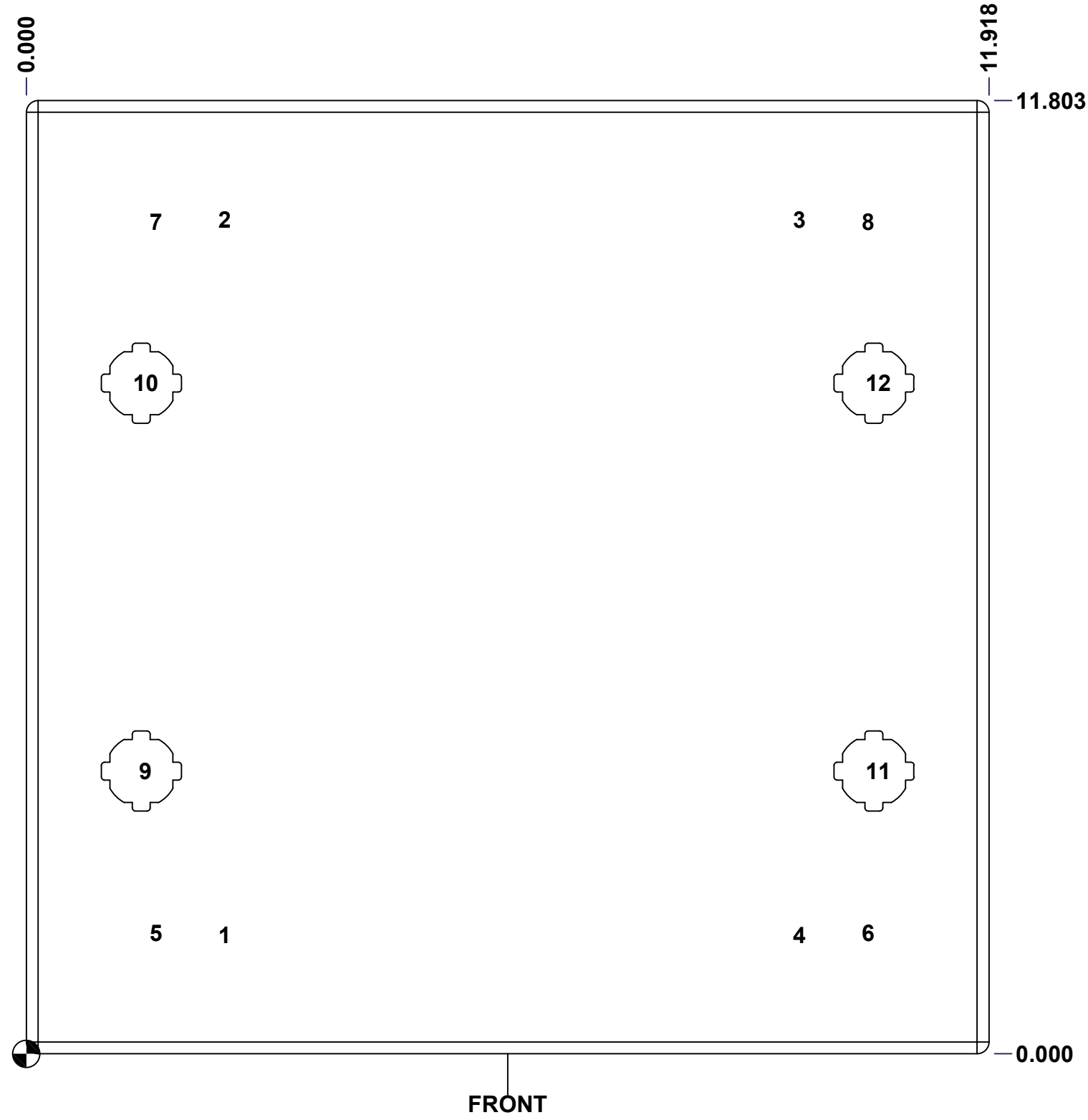
This drawing is confidential and must not be reproduced or used without the consent of EXM

Ce dessin est confidentiel et ne doit pas être reproduit ou utilisé sans le consentement de EXM

STANDARD FEATURES ARE NOT LISTED IN THIS HOLE TABLE

HOLE TABLE - FRONT VIEW (CUSTOM FEATURE ONLY)

| CUT-OUT | XDIM | YDIM | DESCRIPTION |
|---------|--------|--------|------------------------------|
| 1 | 2.401 | 1.472 | STUD M6 x 18mm (Inside) |
| 2 | 2.401 | 10.331 | STUD M6 x 18mm (Inside) |
| 3 | 9.517 | 10.331 | STUD M6 x 18mm (Inside) |
| 4 | 9.517 | 1.472 | STUD M6 x 18mm (Inside) |
| 5 | 1.550 | 1.500 | STUD M6 x 18mm (Inside) |
| 6 | 10.368 | 1.500 | STUD M6 x 18mm (Inside) |
| 7 | 1.550 | 10.303 | STUD M6 x 18mm (Inside) |
| 8 | 10.368 | 10.303 | STUD M6 x 18mm (Inside) |
| ----- | | | |
| 9 | 1.424 | 3.500 | LOCK 880 SCQ4-SLSS6 @ 180.0° |
| 10 | 1.424 | 8.303 | LOCK 880 SCQ4-SLSS6 @ 180.0° |
| 11 | 10.494 | 3.500 | LOCK 880 SCQ4-SLSS6 @ 0.0° |
| 12 | 10.494 | 8.303 | LOCK 880 SCQ4-SLSS6 @ 0.0° |

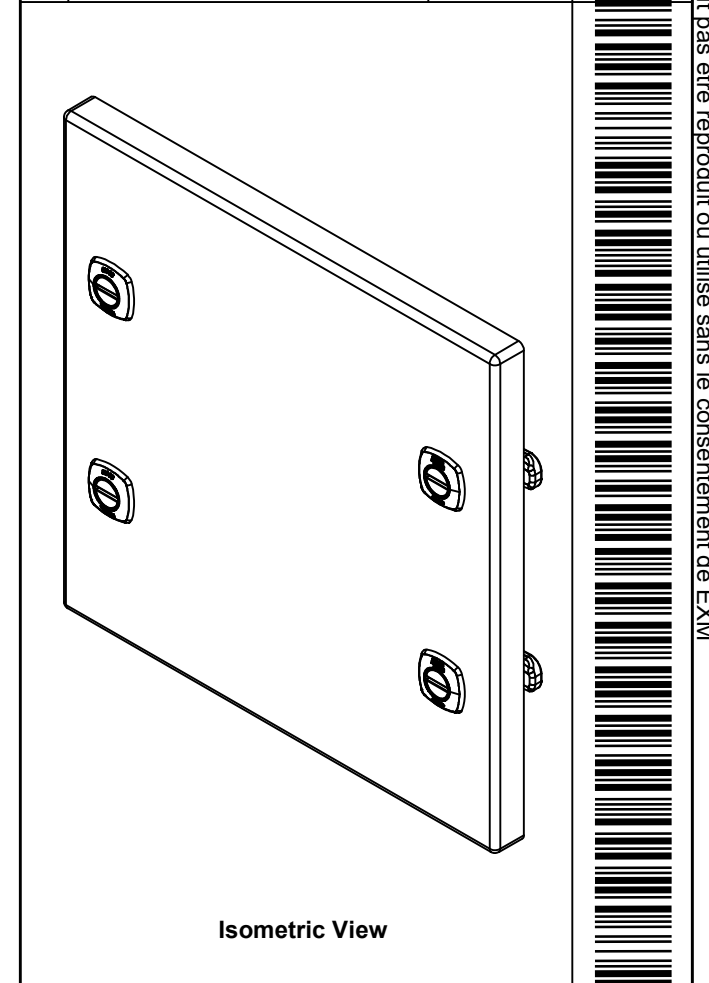


| | | |
|--|-----------------------------|--------------|
| | Description | Status |
| | 5412ESSQT 12" x 12" Cover | (NULL) |
| | Part Number Numéro Pièce | Rev. |
| | 5412ESSQT121206THC | 0 / 9 |
| | | 16 |

This drawing is confidential and must not be reproduced or used without the consent of EXM

Ce dessin est confidentiel et ne doit pas être reproduit ou utilisé sans le consentement de EXM

| No. | Revisions | Date | By/Par |
|-----|-----------|------|--------|
| | | | |
| | | | |
| | | | |
| | | | |
| | | | |



| | |
|--|---|
|  Tél: (450) 979-4373 Fax: (450) 979-4626 www.exmweb.com | Flatness Aplatissement |
| | Max 3.0mm |
| Projection |  |

| | |
|-------------------------|-----------------------------------|
| Customer Client | Date |
| Drawn By Dessiné Par | Date 29-Jan-26 |
| Material Matière | 16 Ga Stainless Steel 304 (1.4mm) |

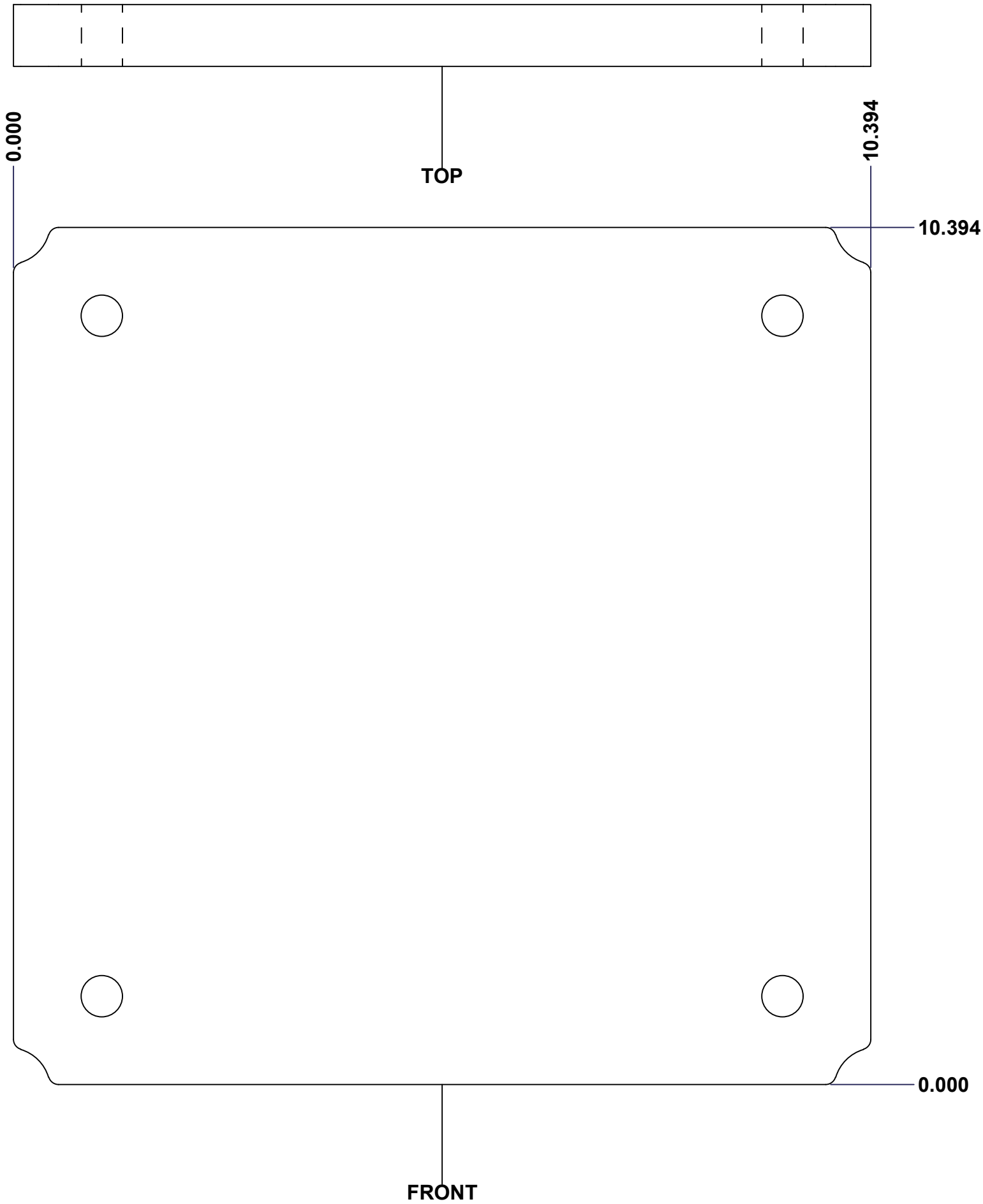
| | | | |
|------------------|---------------------------|----------------|---------|
| Color Couleur | Unpainted | Finish Fini | Brushed |
| Description | 5412ESSQT 12" x 12" Cover | | |
| Detail Rev. | | | |

| | | |
|-----------------------------|----------|----|
| Part Number Numéro Pièce | Rev. | 10 |
| 5412ESSQT121206THC | 0 | 16 |

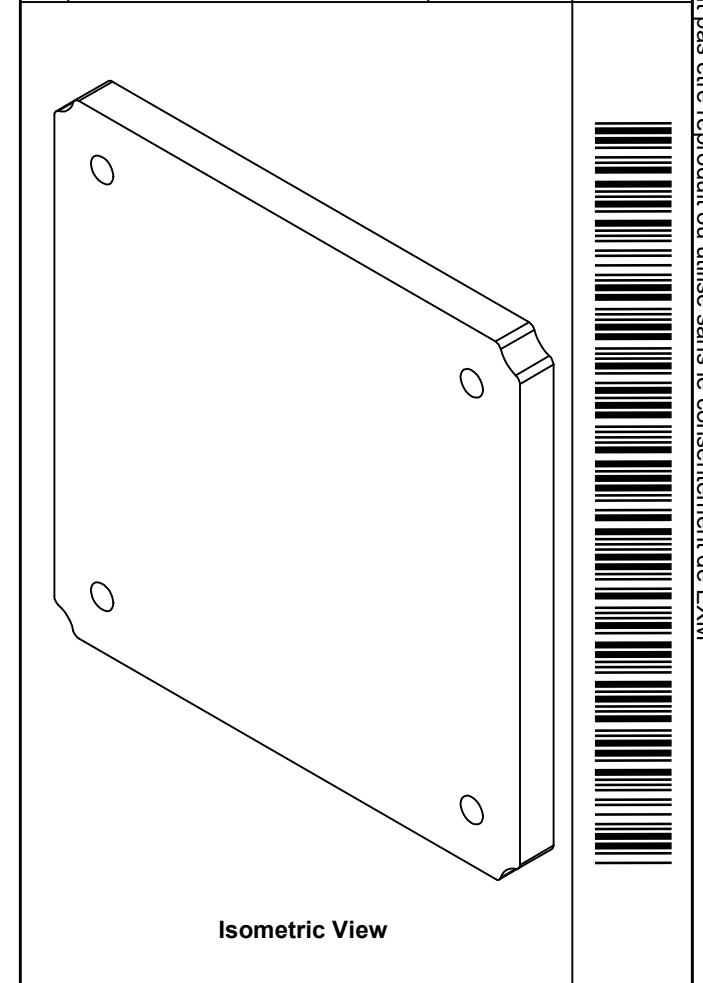
| QTY | Part Number | Rev | Description |
|------------|----------------------|-----|--|
| 4 | STK-Q-07250 | 2 | M6 x 16mm Collar Nut |
| 2 | STK-Q-46020-12 | 5 | 5412 ES Vertical Door Stiffener 12" |
| 2 | STK-S-00100 | 0 | 3.5" x 2" Silver Milar Flexcon Sticker |
| 1 | 5412ESSQT121206THI-C | 0 | 5412ESSQT 12" x 12" Cover Insulation |
| 4 | STK-K-12590 | 7 | 5412 ESS 1/4 Turn Lock |
| 8 | STK-Q-16070 | 1 | Stud M6 x 18mm Stainless steel |
| 1 | 5412ESSQT121206THG | 0 | 5412ESSQT 12" x 12" Cover Gasket Part |
| 1 | 5412ESSQT121206THC-P | 0 | 5412ESSQT 12" x 12" Cover Part |
| 4 | STK-Q-46515 | 3 | 5412 ES Door Support with Brass Insert |
| Parts List | | | |


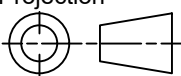
This drawing is confidential and must not be reproduced or used without the consent of EXM

Ce dessin est confidentiel et ne doit pas être reproduit ou utilisé sans le consentement de EXM



| No. | Revisions | Date | By/Par |
|-----|-----------|------|--------|
| | | | |
| | | | |
| | | | |
| | | | |

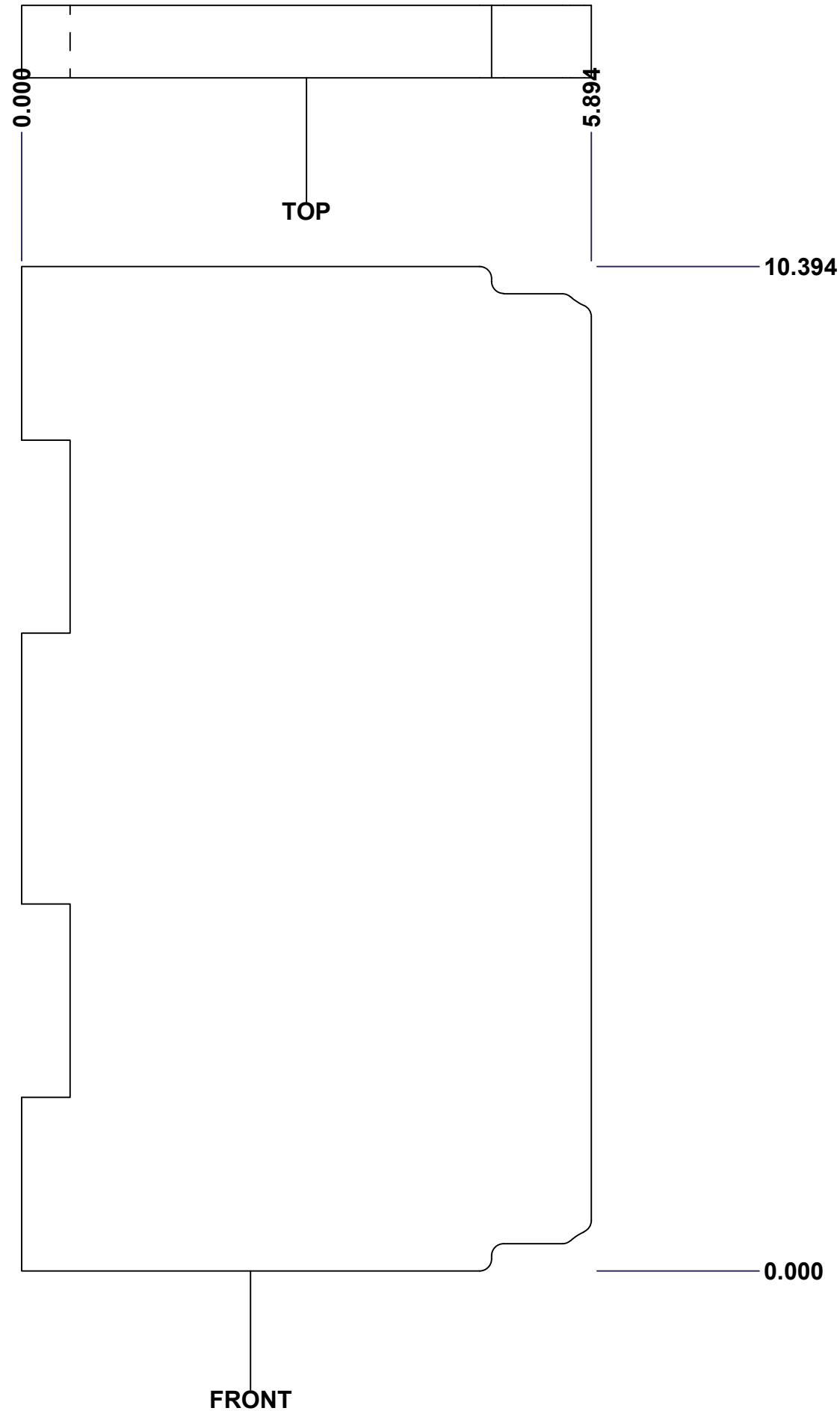


| | | |
|--|---------------------------|---|
|  Tél: (450) 979-4373 Fax: (450) 979-4626 www.exmweb.com | | Flatness Aplatissement Max 3.0mm Projection  |
| Customer Client | Date | |
| Drawn By Dessiné Par | BoxCad: Patrick Deschenes | Date 23-Jan-07 |
| Material Matière | Polyisocyanurate | |
| Color Couleur | Aluminum | Finish Fini N/A |
| Description 5412ESSQT 12" x 12" Back Insulation | | Detail Rev. |
| Part Number Numéro Pièce | Rev. 0 | 11 / 16 |

SEE BILL OF MATERIAL ON LAST PAGE

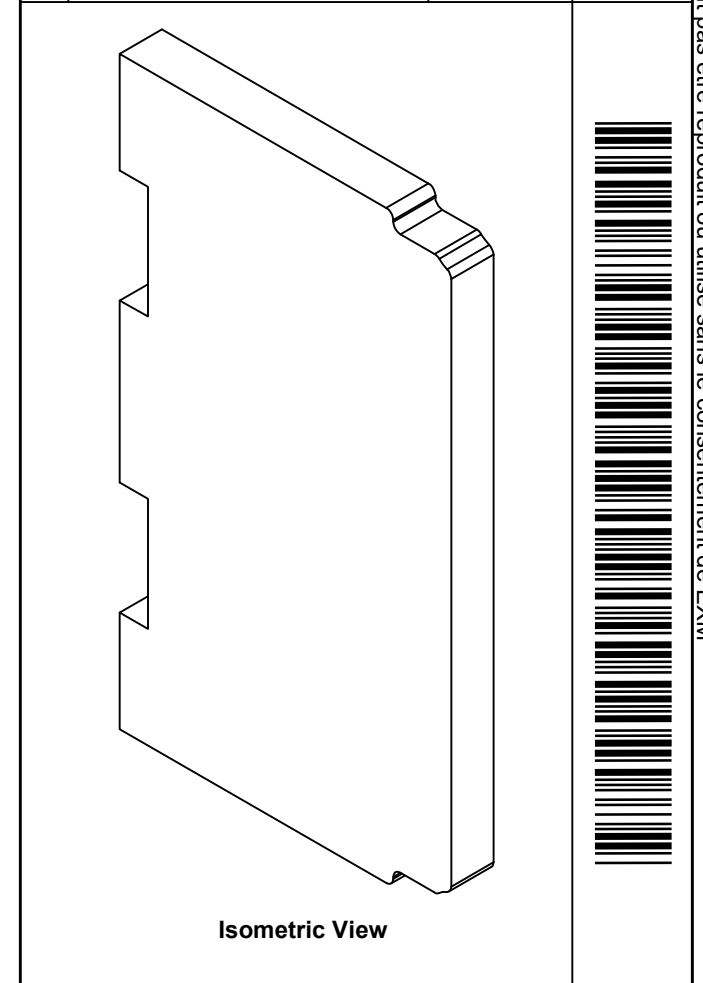
This drawing is confidential and must not be reproduced or used without the consent of EXM


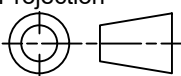
Ce dessin est confidentiel et ne doit pas être reproduit ou utilisé sans le consentement de EXM



SEE BILL OF MATERIAL ON LAST PAGE

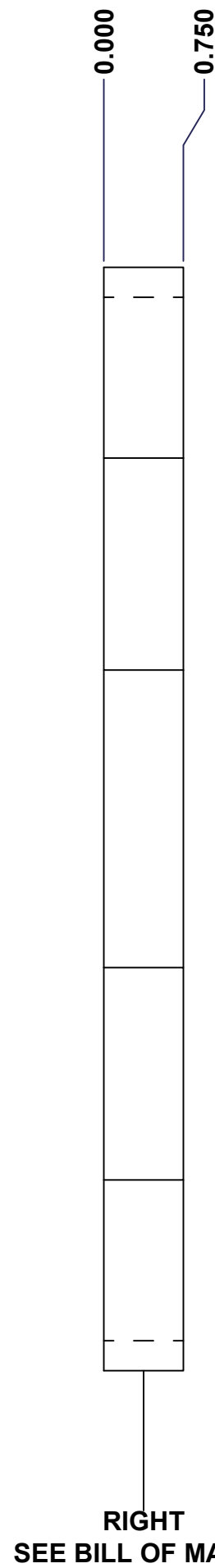
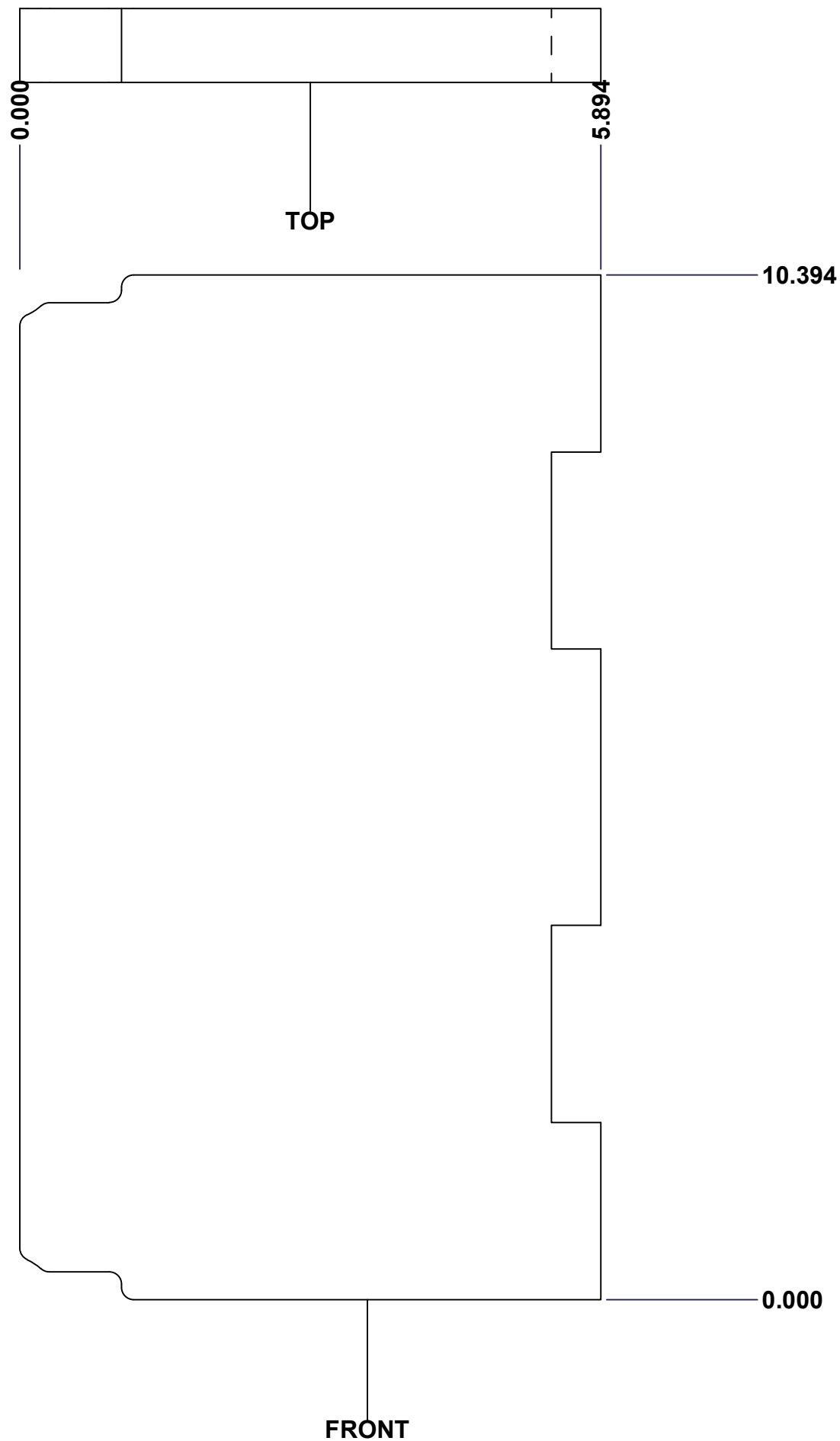
| No. | Revisions | Date | By/Par |
|-----|-----------|------|--------|
| | | | |
| | | | |
| | | | |
| | | | |
| | | | |



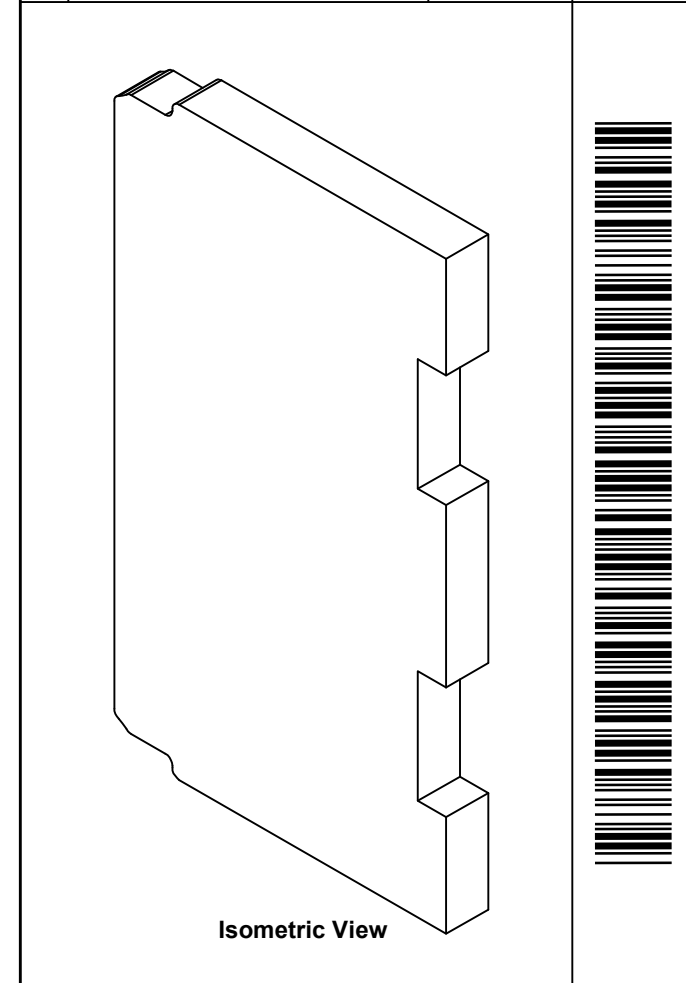
| | | |
|--|---------------------------|---|
|  Tél: (450) 979-4373 Fax: (450) 979-4626 www.exmweb.com | | Flatness Aplatissement Max 3.0mm Projection  |
| Customer Client | Date | |
| Drawn By Dessiné Par | BoxCad: Patrick Deschenes | Date 23-Jan-07 |
| Material Matière | Polyisocyanurate | |
| Color Couleur | Aluminum | Finish Fini N/A |
| Description 5412ESSQT 12" x 12" Left Insulation | | Detail Rev. |
| Part Number Numéro Pièce | Rev. 0 | 12 / 16 |


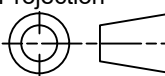
This drawing is confidential and must not be reproduced or used without the consent of EXM

Ce dessin est confidentiel et ne doit pas être reproduit ou utilisé sans le consentement de EXM



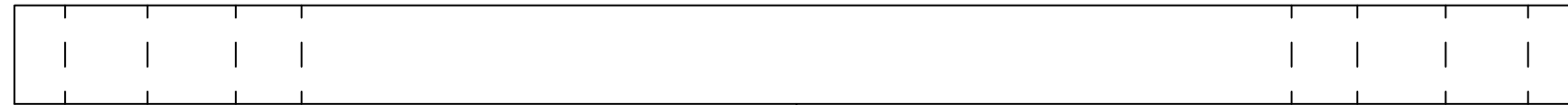
| No. | Revisions | Date | By/Par |
|-----|-----------|------|--------|
| | | | |
| | | | |
| | | | |
| | | | |
| | | | |



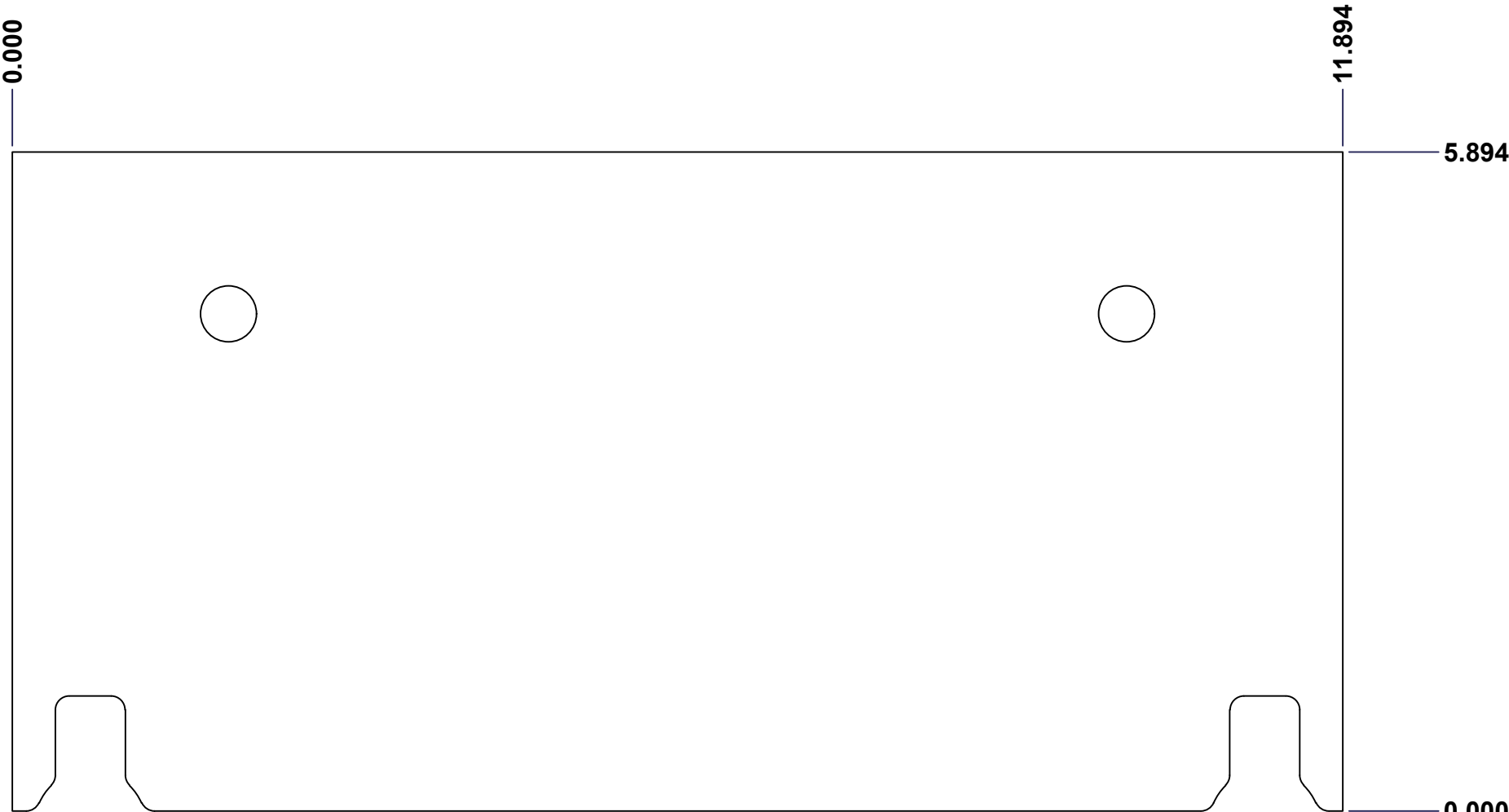
| | | |
|--|---------------------------|---|
|  Tél: (450) 979-4373 Fax: (450) 979-4626 www.exmweb.com | | Flatness Aplatissement Max 3.0mm Projection  |
| Customer Client | Date | |
| Drawn By Dessiné Par | BoxCad: Patrick Deschenes | Date 23-Jan-07 |
| Material Matière | Polyisocyanurate | |
| Color Couleur | Aluminum | Finish Fini N/A |
| Description | Detail Rev. | |
| 5412ESSQT 12" x 12" Right Insulation | | |
| Part Number Numéro Pièce | Rev. | 13 |
| 5412ESSQT121206TH-RS | 0 | 16 |

This drawing is confidential and must not be reproduced or used without the consent of EXM

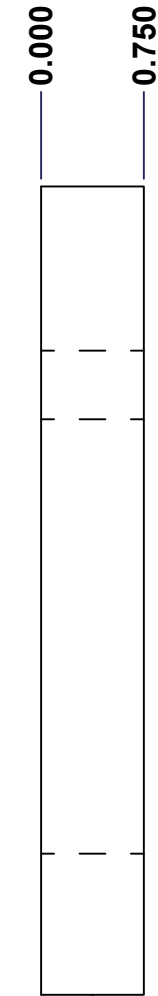
Ce dessin est confidentiel et ne doit pas être reproduit ou utilisé sans le consentement de EXM



TOP

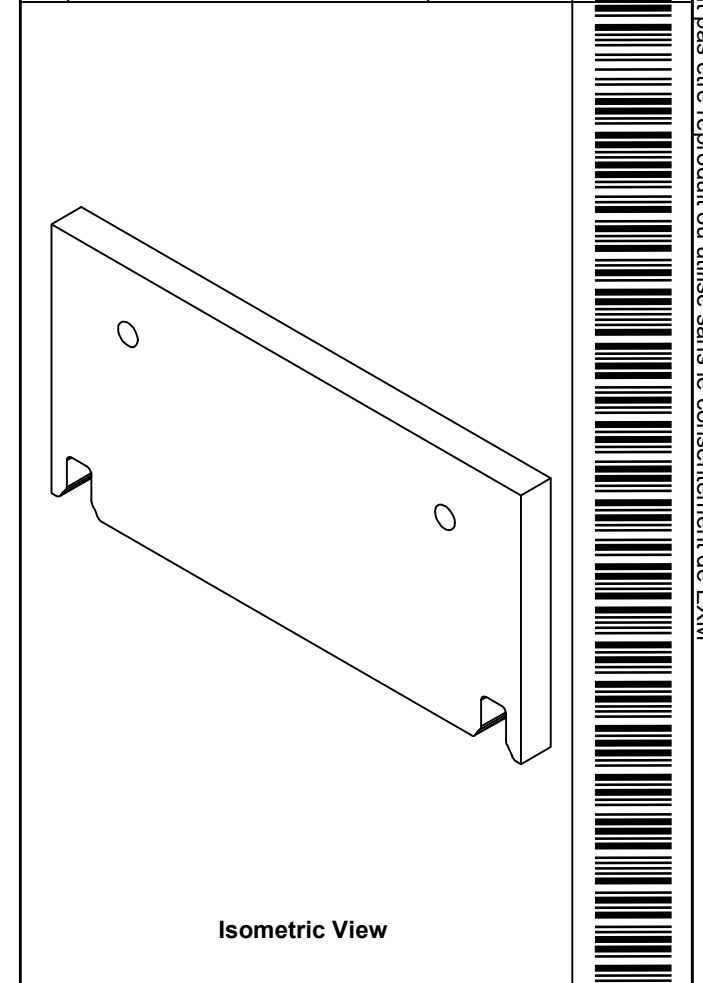


FRONT





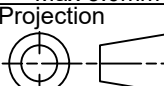
RIGHT

| No. | Revisions | Date | By/Par |
|-----|-----------|------|--------|
| | | | |
| | | | |
| | | | |
| | | | |
| | | | |



Isometric View



| | | |
|--|------------------|---|
|  Tél: (450) 979-4373 Fax: (450) 979-4626 www.exmweb.com | | Flatness Aplatissement  Max 3.0mm Projection  |
| Customer Client | Date | |
| Drawn By Dessiné Par | BoxCad: BoxCad | Date 4/3/2024 |
| Material Matière | Polyisocyanurate | |
| Color Couleur | Aluminum | Finish Fini Brushed |
| Description | Detail Rev. | |
| 5412ESSQT 12" x 12"Top Insulation | | |
| Part Number Numéro Pièce | Rev. | 14 |
| 5412ESSQT121206THI-TP | 0 | 16 |

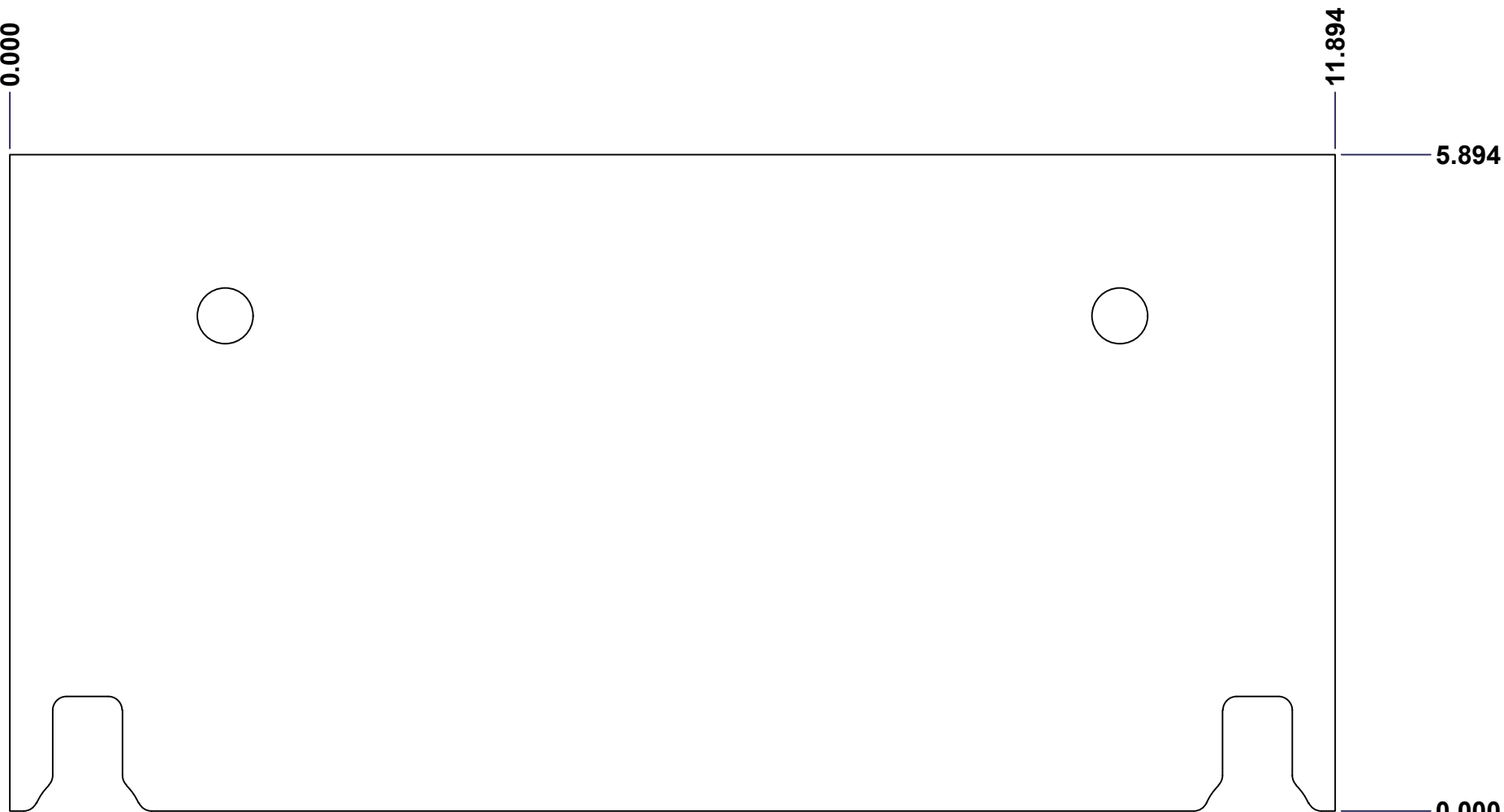
SEE BILL OF MATERIAL ON LAST PAGE

This drawing is confidential and must not be reproduced or used without the consent of EXM

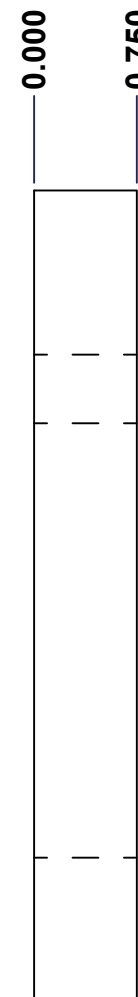
Ce dessin est confidentiel et ne doit pas être reproduit ou utilisé sans le consentement de EXM



TOP

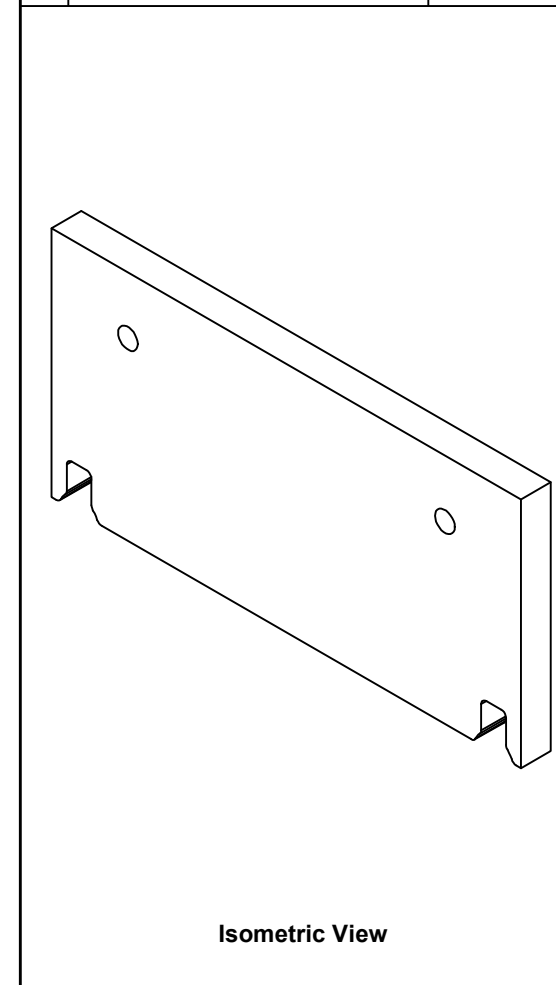


FRONT

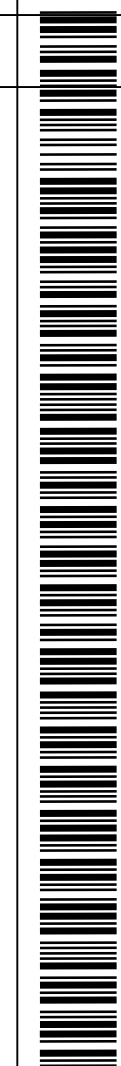


RIGHT

| No. | Revisions | Date | By/Par |
|-----|-----------|------|--------|
| | | | |
| | | | |
| | | | |
| | | | |
| | | | |



Isometric View




 Tél: (450) 979-4373
 Fax: (450) 979-4626
www.exmweb.com

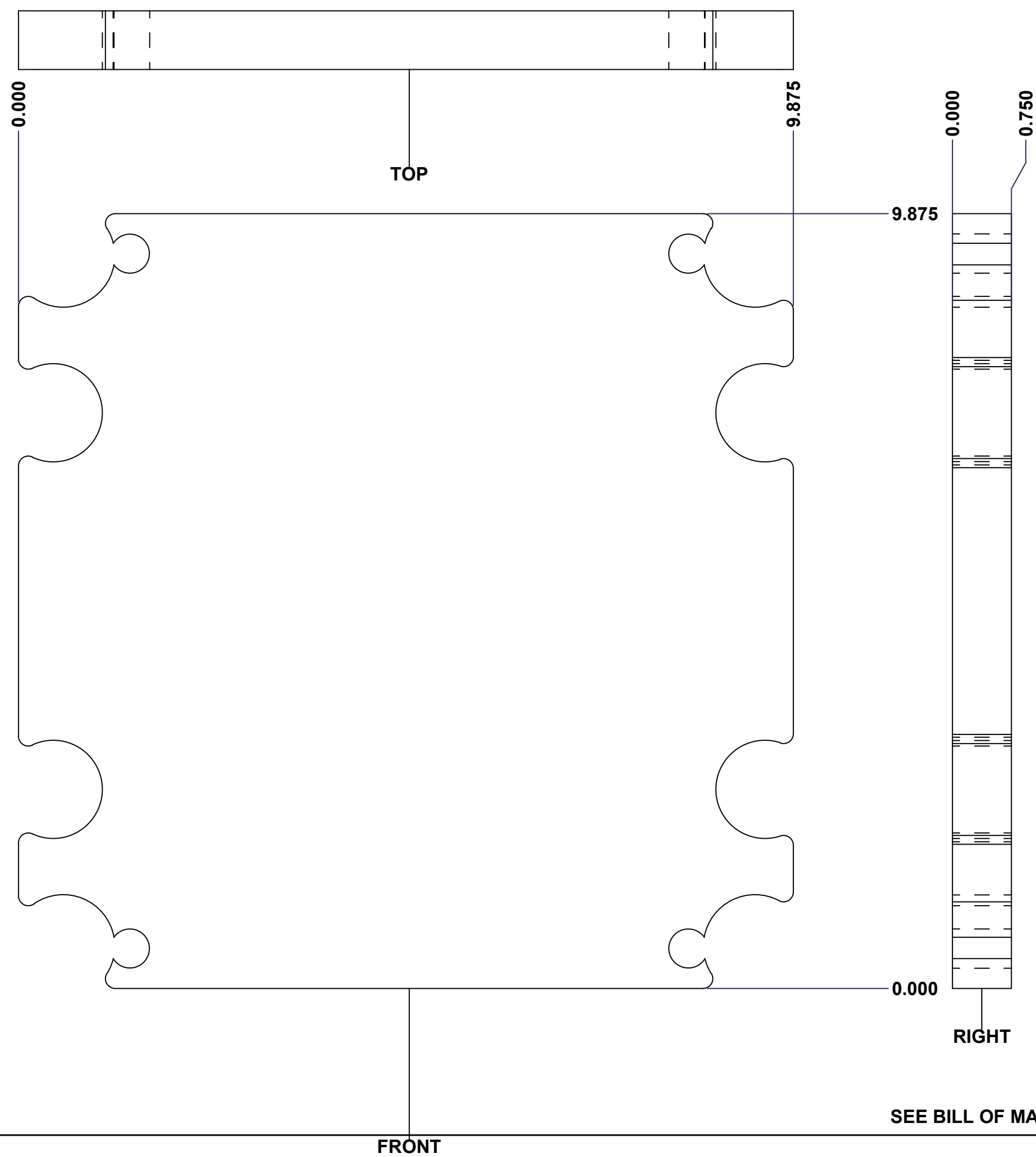
Flatness / Aplatissement: Max 3.0mm
 Projection: 

| | |
|---|------------------------|
| Customer Client | Date |
| Drawn By / Dessiné Par: BoxCad: BoxCad | Date: 4/3/2024 |
| Material / Matière: Polyisocyanurate | |
| Color / Couleur: Aluminum | Finish / Fini: Brushed |
| Description: 5412ESSQT 12" x 12"Bottom Insulation | Detail Rev. |
| Part Number / Numéro Pièce: 5412ESSQT121206THI-BT | Rev. 0 |

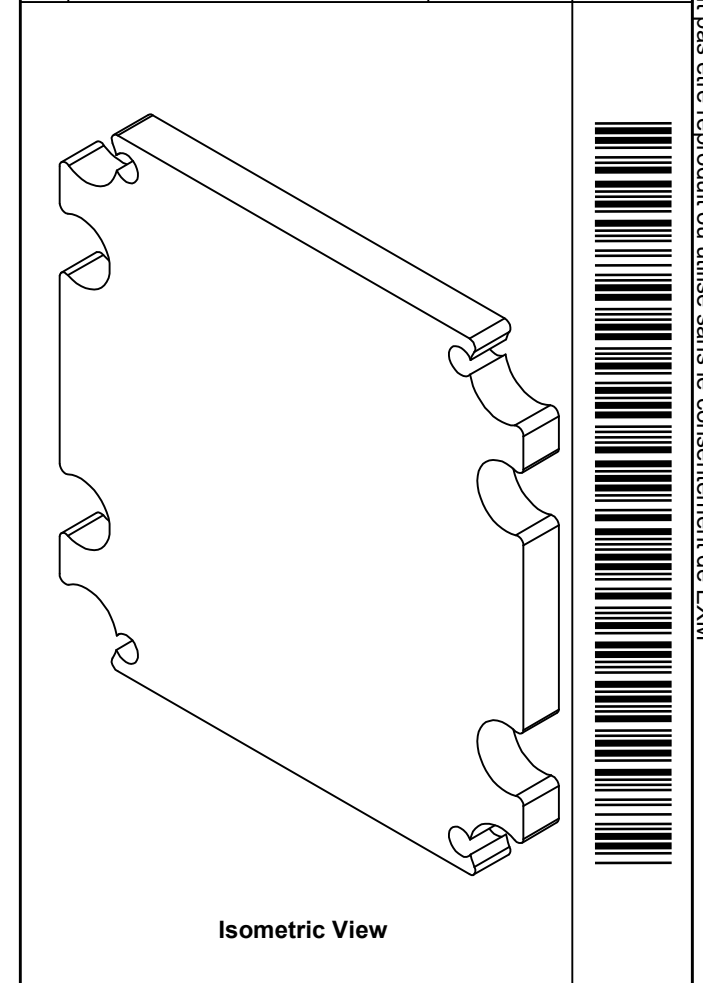
SEE BILL OF MATERIAL ON LAST PAGE


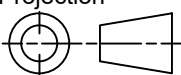
This drawing is confidential and must not be reproduced or used without the consent of EXM

Ce dessin est confidentiel et ne doit pas être reproduit ou utilisé sans le consentement de EXM



| No. | Revisions | Date | By/Par |
|-----|-----------|------|--------|
| | | | |
| | | | |
| | | | |
| | | | |
| | | | |



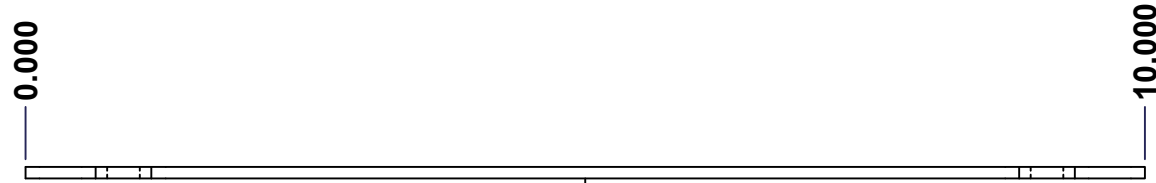
| | | |
|--|---------------------------|---|
|  Tél: (450) 979-4373 Fax: (450) 979-4626 www.exmweb.com | | Flatness Aplatissement Max 3.0mm Projection  |
| Customer Client | Date | |
| Drawn By Dessiné Par | BoxCad: Patrick Deschenes | Date 23-Jan-07 |
| Material Matière | Polyisocyanurate | |
| Color Couleur | Aluminum | Finish Fini N/A |
| Description | Detail Rev. | |
| 5412ESSQT 12" x 12" Cover Insulation | | |
| Part Number Numéro Pièce | Rev. 0 | 16 / 16 |
| 5412ESSQT121206THI-C | | |

SEE BILL OF MATERIAL ON LAST PAGE

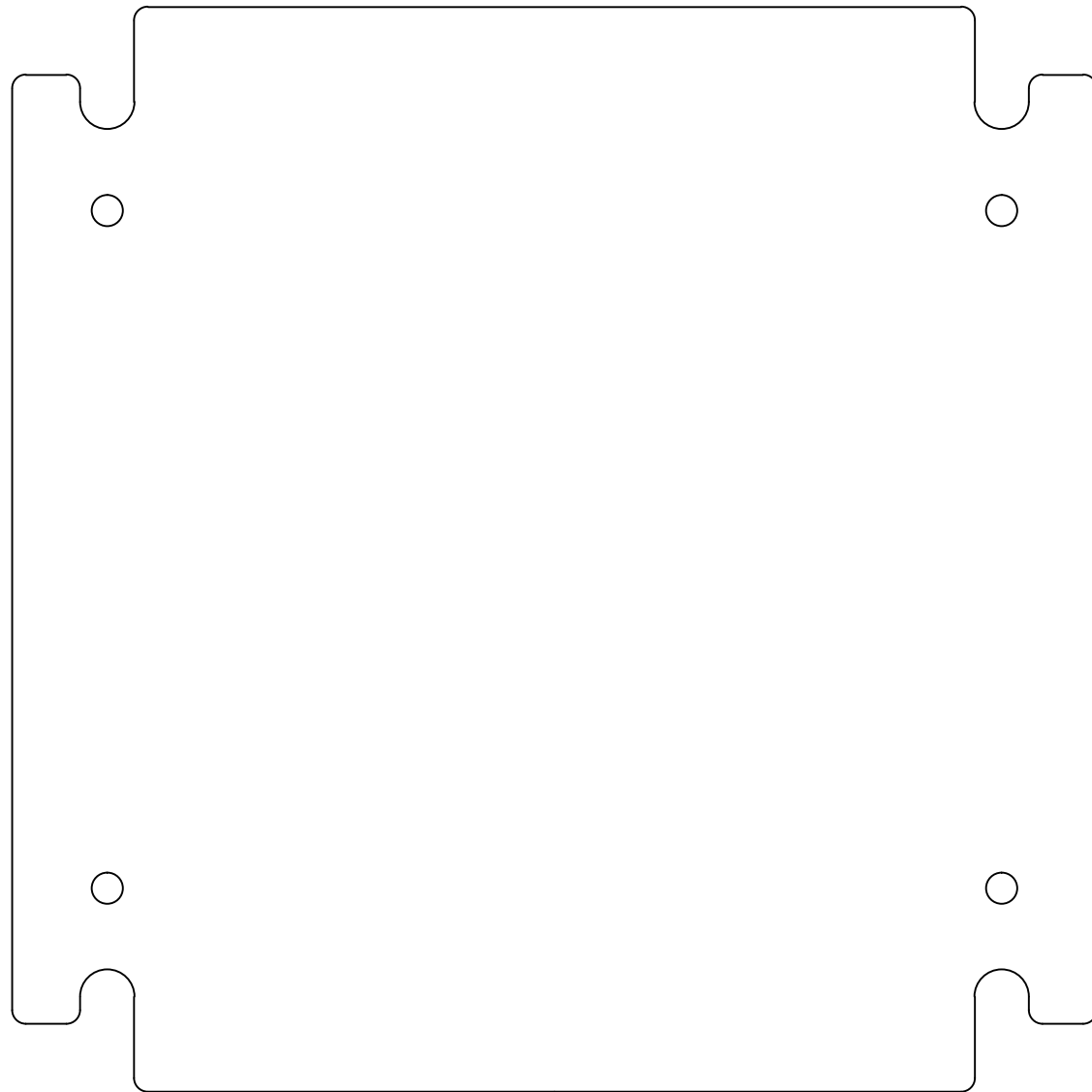
FRONT

This drawing is confidential and must not be reproduced or used without the consent of EXM

Ce dessin est confidentiel et ne doit pas être reproduit ou utilisé sans le consentement de EXM



TOP



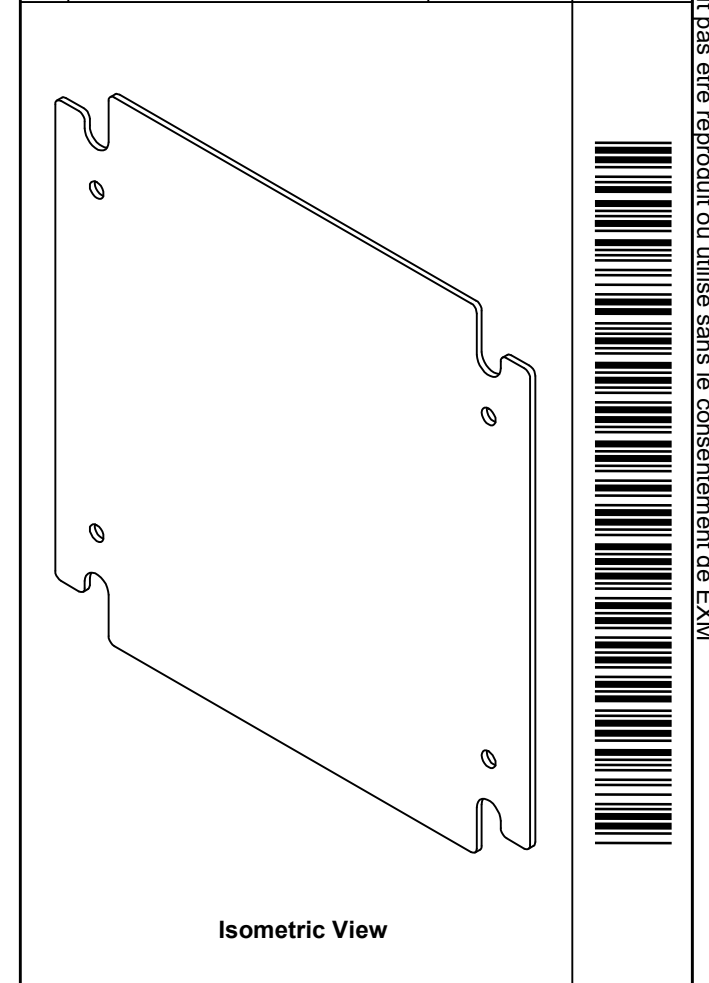
FRONT


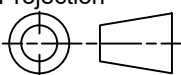
10.000

0.000

RIGHT

| No. | Revisions | Date | By/Par |
|-----|-----------|------|--------|
| | | | |
| | | | |
| | | | |
| | | | |
| | | | |



| | | |
|--|---------------|---|
|  Tél: (450) 979-4373 Fax: (450) 979-4626 www.exmweb.com | | Flatness Aplatissement Max 3.0mm Projection  |
| Customer Client | Date | |
| Drawn By Dessiné Par | BoxCad | Date 23-Jan-07 |
| Material Matière | See Part List | |
| Color Couleur | See Part List | Finish Fini See Part List |
| Description | | Detail Rev. |
| 881 SP - Inner Panel | | |
| Part Number Numéro Pièce | Rev. | 1 |
| 881 SP1212G | 0 | 2 |

| Qty | Part Number | Rev | Description | Material | Color | Finish |
|------------|---------------|-----|---------------------------|------------------|-----------|------------|
| 1 | 881 SP1212G-P | 0 | 881 SP - Inner Panel Part | 12 Ga Galvanized | Unpainted | Galvanized |
| Parts List | | | | | | |

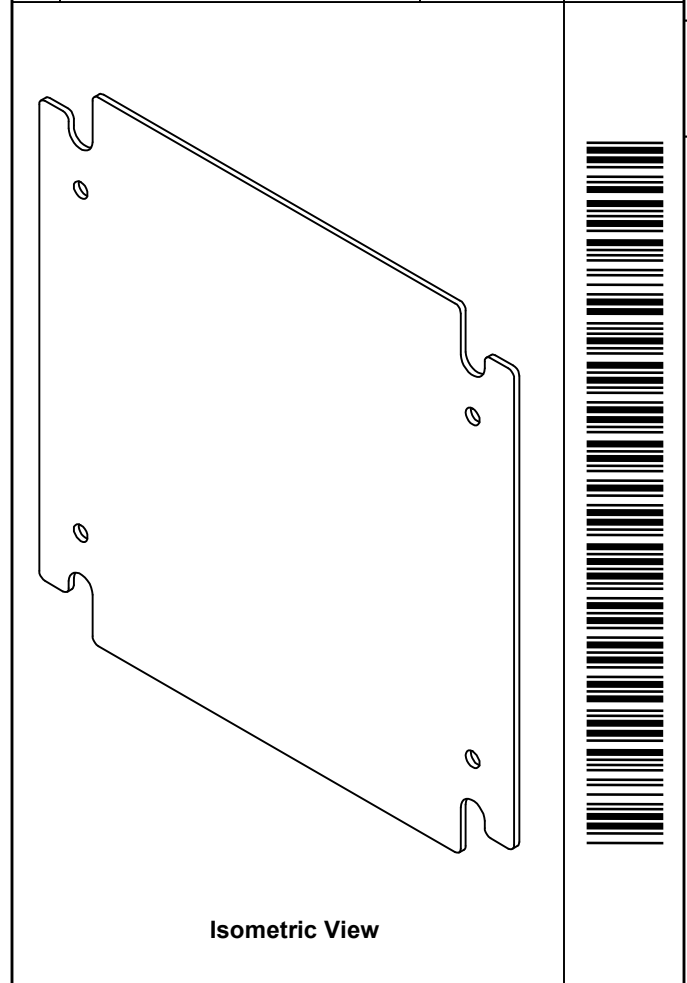
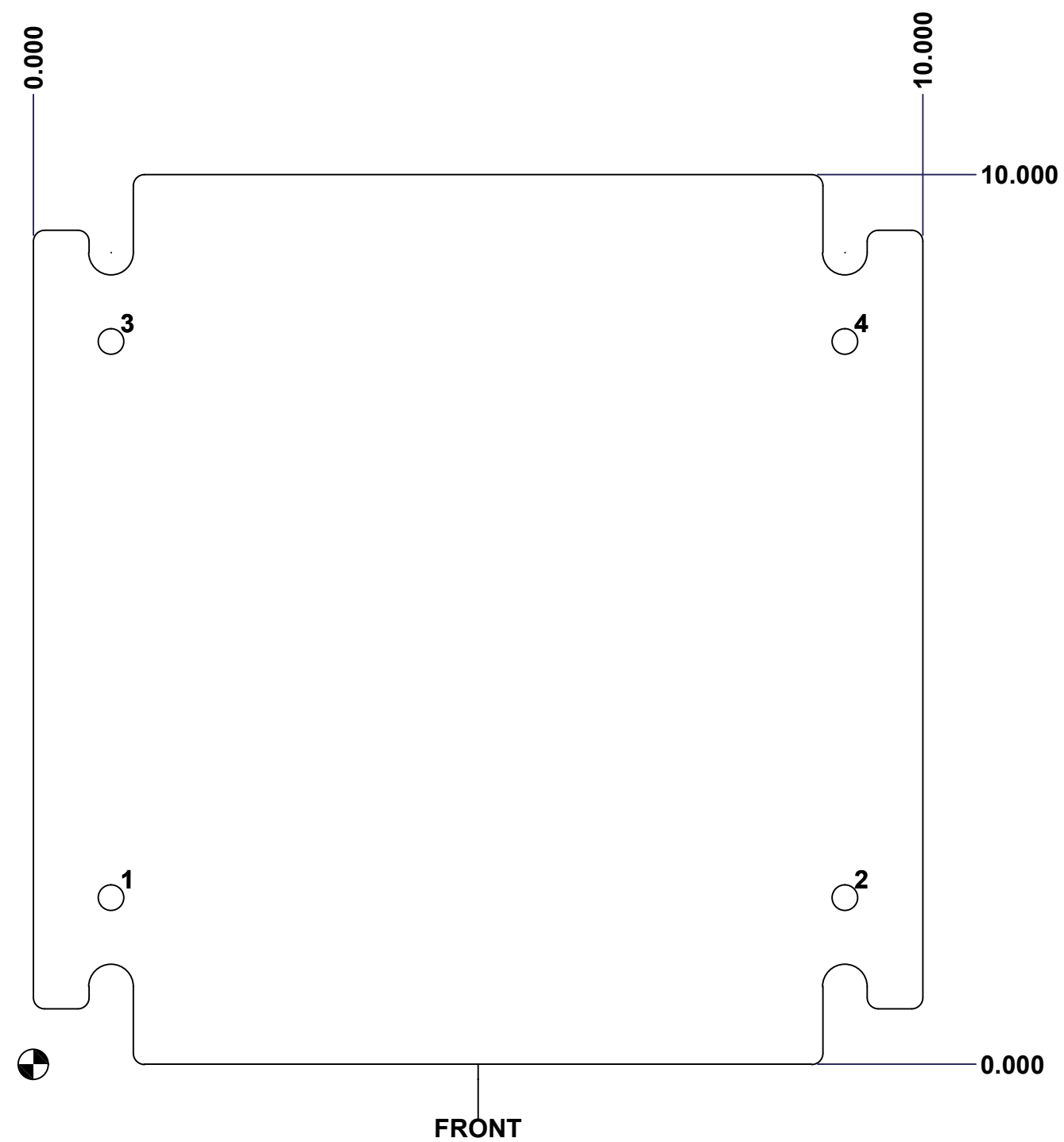
This drawing is confidential and must not be reproduced or used without the consent of EXM


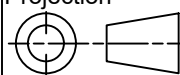
Ce dessin est confidentiel et ne doit pas être reproduit ou utilisé sans le consentement de EXM

| Table 1 | | | FRONT VIEW |
|---------|-------|-------|--------------------------|
| CUT-OUT | XDIM | YDIM | DESCRIPTION |
| 1 | 0.875 | 1.875 | GROUND HOLE (RND Ø0.290) |
| 2 | 9.125 | 1.875 | GROUND HOLE (RND Ø0.290) |
| 3 | 0.875 | 8.125 | GROUND HOLE (RND Ø0.290) |
| 4 | 9.125 | 8.125 | GROUND HOLE (RND Ø0.290) |

All knockouts are actual size / Les disques défonçables sont grandeur réel

| No. | Revisions | Date | By/Par |
|-----|-----------|------|--------|
| | | | |
| | | | |
| | | | |
| | | | |
| | | | |



| | | |
|--|---------------|---|
|  Tél: (450) 979-4373 Fax: (450) 979-4626 www.exmweb.com | | Flatness Aplatissement Max 3.0mm Projection  |
| Customer Client | Date | |
| Drawn By Dessiné Par | BoxCad | Date 23-Jan-07 |
| Material Matière | See Part List | |
| Color Couleur | See Part List | Finish Fini See Part List |
| Description | Detail Rev. | |
| 881 SP - Inner Panel | | |
| Part Number Numéro Pièce | Rev. | 2 |
| 881 SP1212G | 0 | 2 |