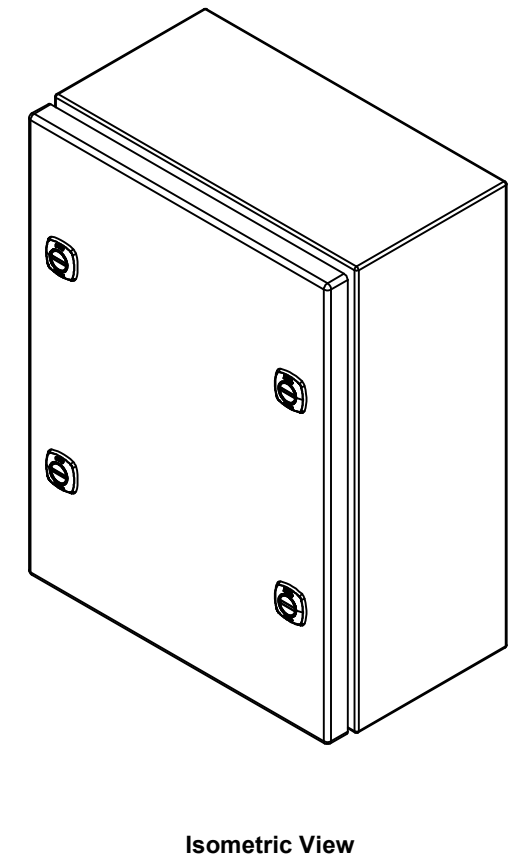
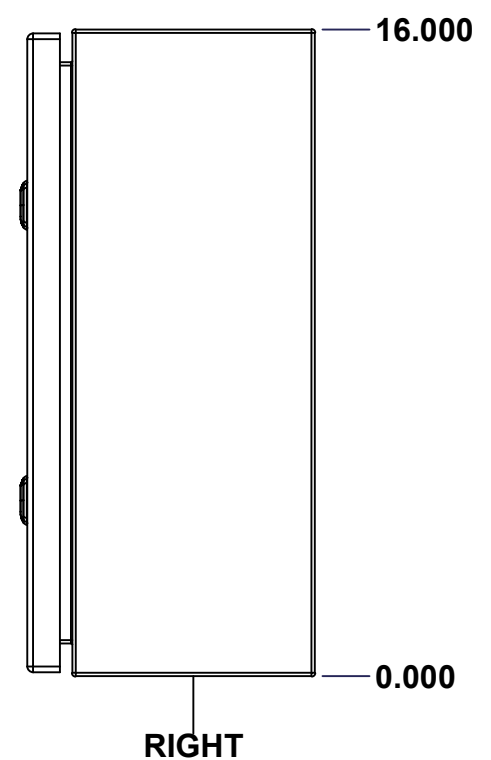
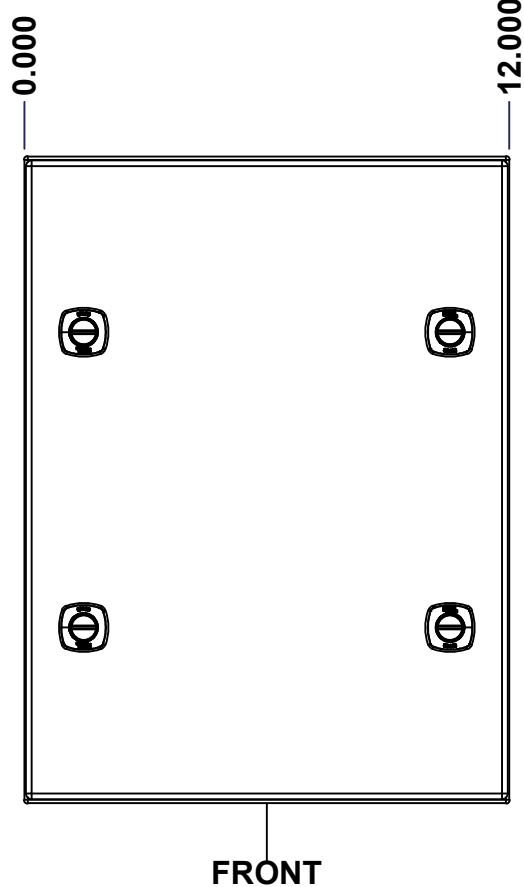
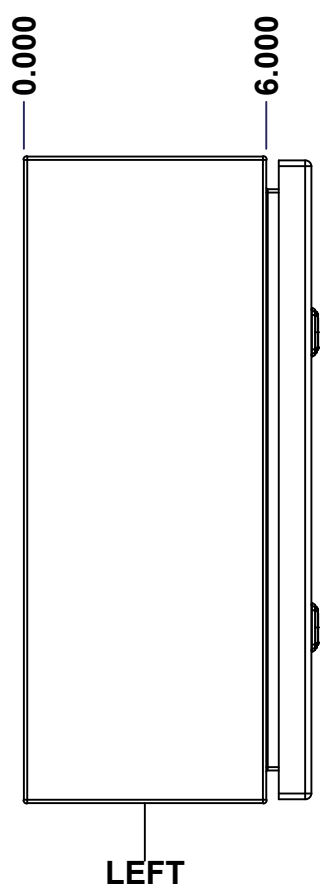
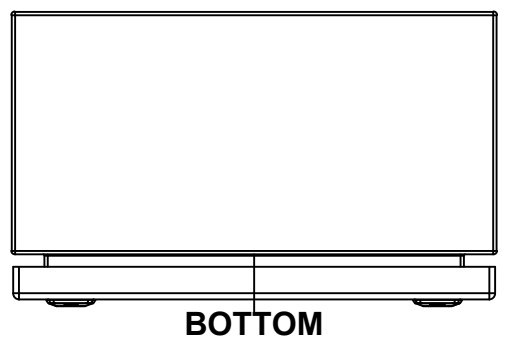
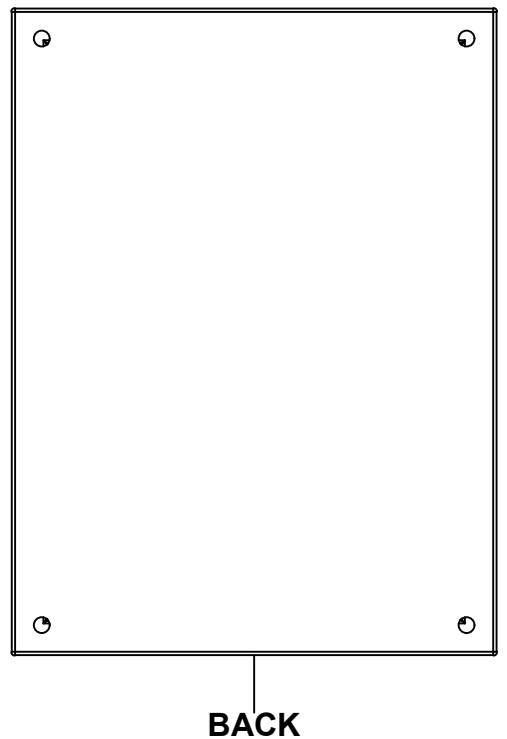
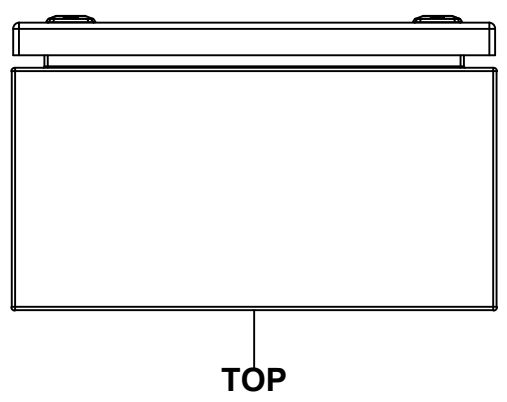



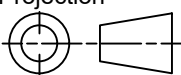
This drawing is confidential and must not be reproduced or used without the consent of EXM

Ce dessin est confidentiel et ne doit pas être reproduit ou utilisé sans le consentement de EXM



**GRAIN DIRECTION:
TOP/BOTTOM: HORIZONTAL
LEFT/RIGHT/BACK/FRONT: VERTICAL**

| No. | Revisions | Date | By/Par |
|-----|-----------|------|--------|
| | | | |
| | | | |
| | | | |
| | | | |
| | | | |

| | | |
|--|-----------------------------------|---|
|  Tél: (450) 979-4373 Fax: (450) 979-4626 www.exmweb.com | | Flatness Aplatissement Max 3.0mm Projection  |
| Customer Client | Date | |
| Drawn By Dessiné Par | BoxCad: BoxCad | Date 30-Jan-26 |
| Material Matière | 16 Ga Stainless Steel 316 (1.4mm) | |
| Color Couleur | Unpainted | Finish Fini Brushed |
| Description | Detail Rev. | |
| 5412ESSQT 16" x 12" x 6" Assembly | | |
| Part Number Numéro Pièce | Rev. | 1 |
| 5412ESSQT1612066 | 0 | 9 |

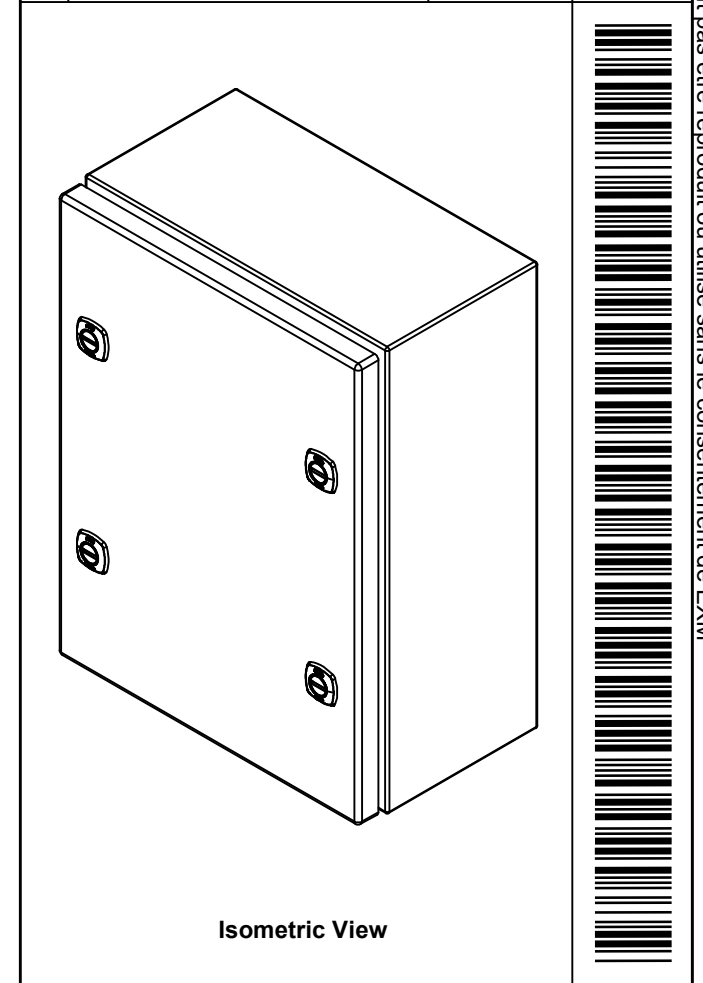
SEE BILL OF MATERIAL ON LAST PAGE


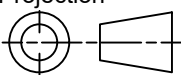
This drawing is confidential and must not be reproduced or used without the consent of EXM

Ce dessin est confidentiel et ne doit pas être reproduit ou utilisé sans le consentement de EXM

| NOTE | |
|------|--|
| ITEM | DESCRIPTION |
| 1 | NEMA 4X Enclosure (IP66) |
| 2 | C/W Standard ground studs on box and cover |
| 3 | C/W Standard door stiffener |
| 4 | C/W Standard inner panel (Included) |
| 5 | C/W Standard inner panel mounting studs |

| No. | Revisions | Date | By/Par |
|-----|-----------|------|--------|
| | | | |
| | | | |
| | | | |
| | | | |
| | | | |
| | | | |



| | |
|--|---|
|  Tél: (450) 979-4373 Fax: (450) 979-4626 www.exmweb.com | Flatness Aplatissement Max 3.0mm |
| | Projection  |
| Customer Client | Date |
| Drawn By Dessiné Par BoxCad: BoxCad | Date 30-Jan-26 |
| Material Matière 16 Ga Stainless Steel 316 (1.4mm) | |
| Color Couleur Unpainted | Finish Fini Brushed |

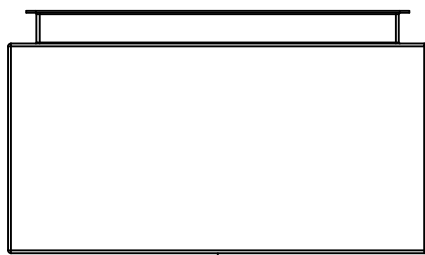
| PACKING | | |
|-----------------------|-----|--|
| ITEM | QTY | DESCRIPTION |
| Cardboard sleeve | 2 | Top and Bottom |
| Cardboard strip | 2 | Between back of enclosure and inner panel |
| Plastic bag | 1 | To protect cover surface and inside gasket |
| Plastic strap - Black | 2 | To Squeeze the 2 cardboard sleeve together |
| Packaging label | 1 | White label with product number |

| | | | |
|------------|-------------------|-----|-----------------------------------|
| 1 | STK-K-01800 | 5 | 5412 ES Accessory Kit |
| 1 | 881 SP1612G | 0 | 881 SP - Inner Panel |
| 2 | STK-K-01320 | 0 | 5412 ES Inner Panel Accessory Kit |
| 1 | 5412ESSQT1612066C | 0 | 5412ESSQT 16" x 12" Cover |
| 1 | 5412ESSQT1612066B | 0 | 5412ESSQT 16" x 12" x 6" Body |
| Qty | Part Number | Rev | Description |
| Parts List | | | |

| | | | |
|-----------------------------------|--|-------------|---|
| Description | | Detail Rev. | |
| 5412ESSQT 16" x 12" x 6" Assembly | | | |
| Part Number Numéro Pièce | | Rev. | 2 |
| 5412ESSQT1612066 | | 0 | 9 |

This drawing is confidential and must not be reproduced or used without the consent of EXM

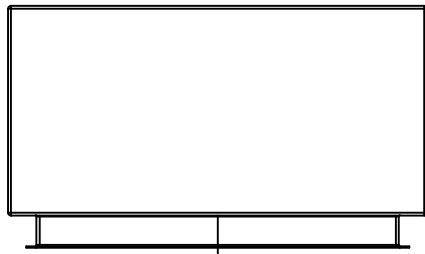
Ce dessin est confidentiel et ne doit pas être reproduit ou utilisé sans le consentement de EXM



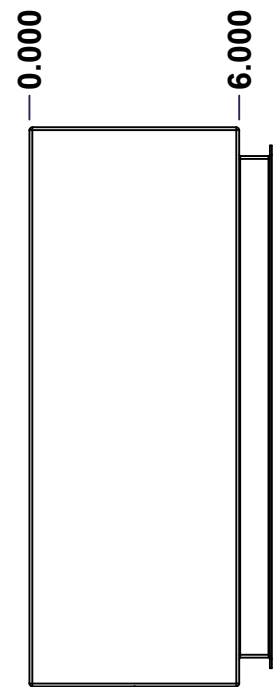
TOP



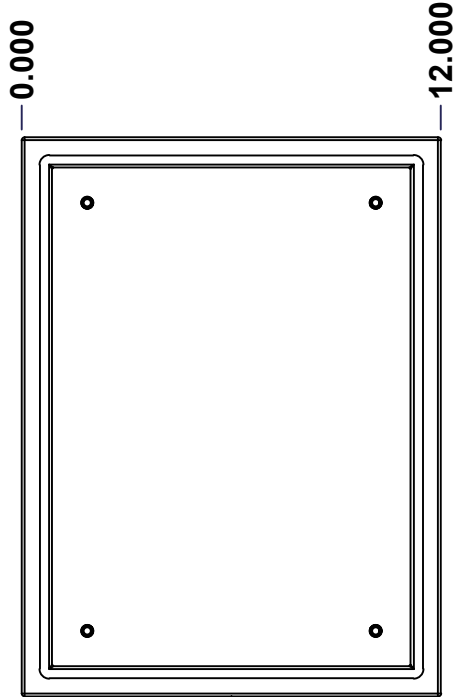
BACK



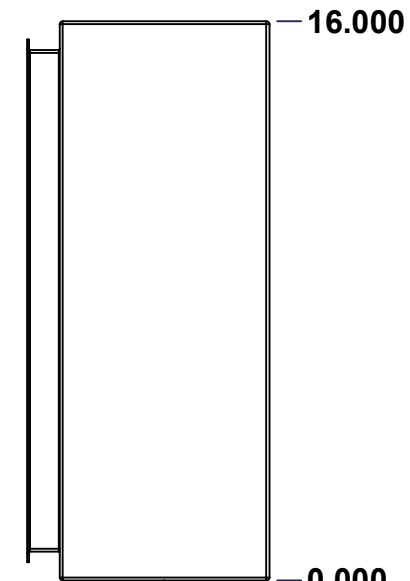
BOTTOM



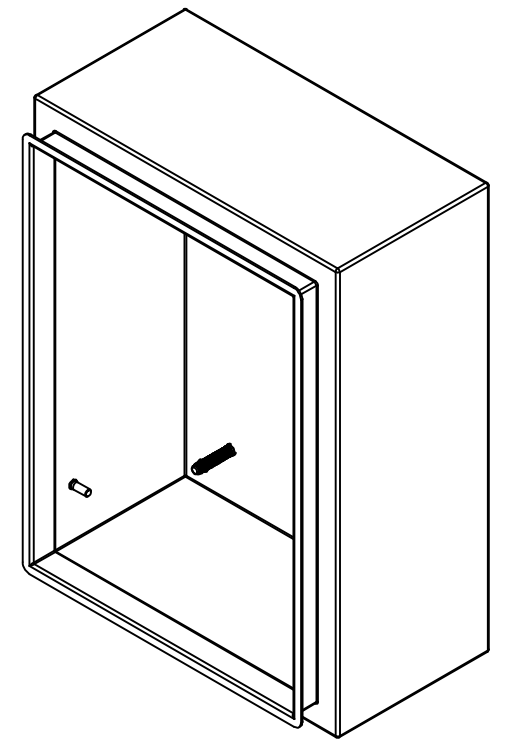
LEFT



FRONT




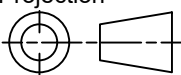
RIGHT



Isometric View



| No. | Revisions | Date | By/Par |
|-----|-----------|------|--------|
| | | | |
| | | | |
| | | | |
| | | | |
| | | | |

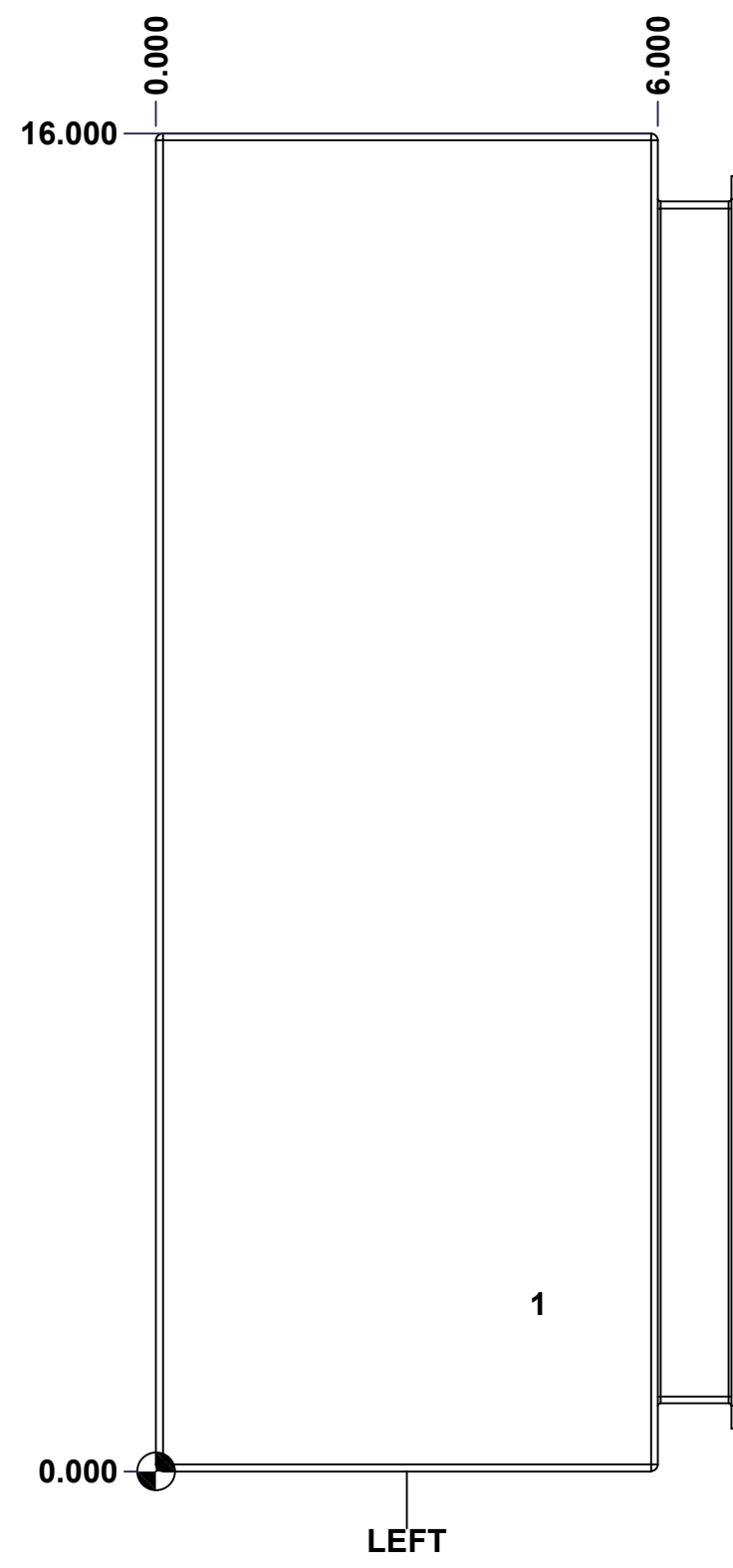
| | | |
|--|-----------------------------------|---|
|  Tél: (450) 979-4373 Fax: (450) 979-4626 www.exmweb.com | | Flatness Aplatissement Max 3.0mm Projection  |
| Customer Client | Date | |
| Drawn By Dessiné Par | BoxCad: BoxCad | Date 30-Jan-26 |
| Material Matière | 16 Ga Stainless Steel 316 (1.4mm) | |
| Color Couleur | Unpainted | Finish Fini Brushed |
| Description | Detail Rev. | |
| 5412ESSQT 16" x 12" x 6" Body | | |
| Part Number Numéro Pièce | Rev. | 3 |
| 5412ESSQT1612066B | 0 | 9 |

SEE BILL OF MATERIAL ON LAST PAGE

This drawing is confidential and must not be reproduced or used without the consent of EXM

Ce dessin est confidentiel et ne doit pas être reproduit ou utilisé sans le consentement de EXM

| STANDARD FEATURES ARE NOT LISTED IN THIS HOLE TABLE | | | |
|--|-------|-------|-----------------------------|
| HOLE TABLE - LEFT VIEW (CUSTOM FEATURE ONLY) | | | |
| CUT-OUT | XDIM | YDIM | DESCRIPTION |
| 1 | 4.500 | 2.000 | GND STUD M6 x 16mm (Inside) |



| | | | |
|--|-------------------------------|----------|---|
| | Description | Status | |
| | 5412ESSQT 16" x 12" x 6" Body | (NULL) | |
| | Part Number Numéro Pièce | Rev. | 4 |
| | 5412ESSQT1612066B | 0 | 9 |

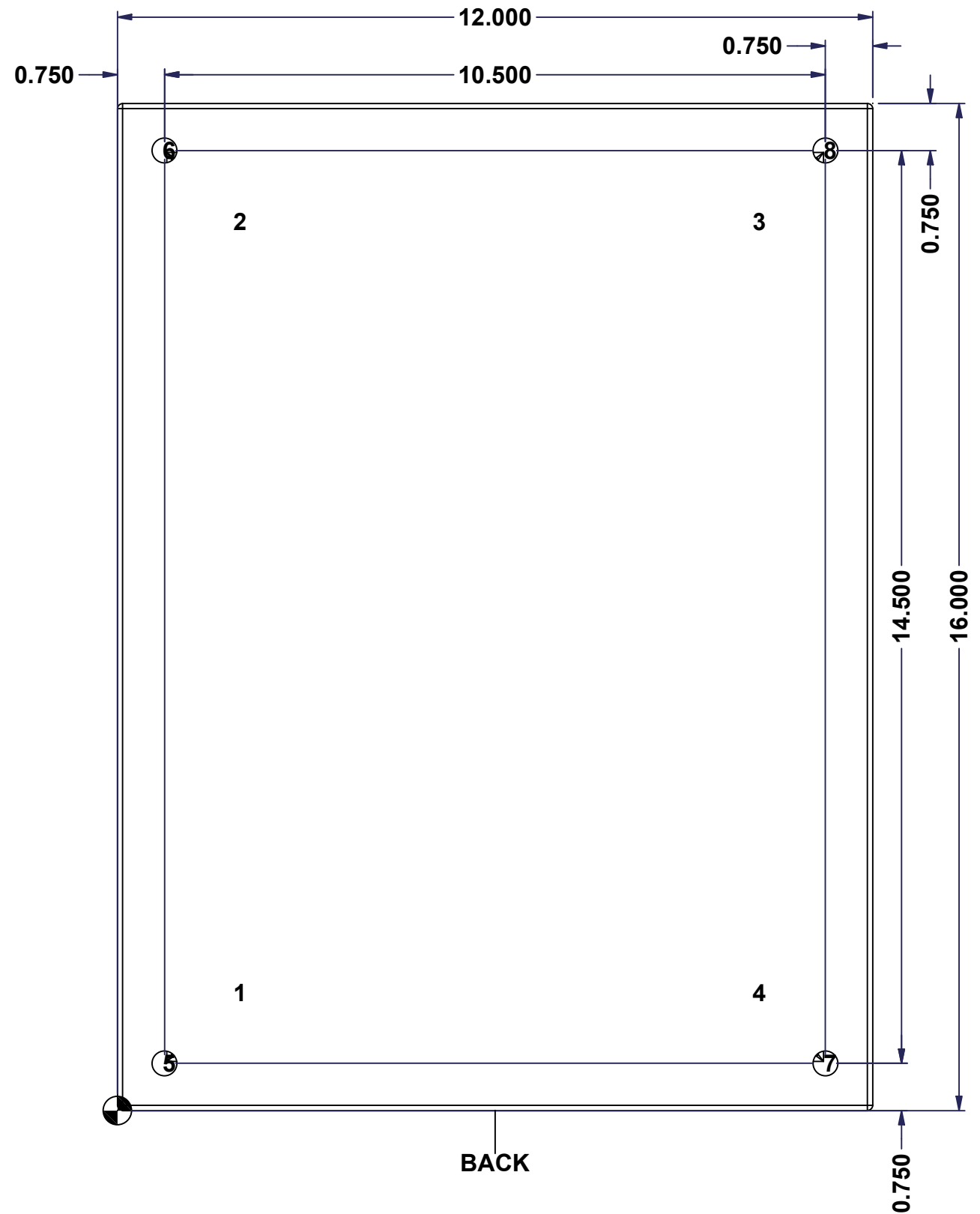
This drawing is confidential and must not be reproduced or used without the consent of EXM

Ce dessin est confidentiel et ne doit pas être reproduit ou utilisé sans le consentement de EXM

STANDARD FEATURES ARE NOT LISTED IN THIS HOLE TABLE

HOLE TABLE - BACK VIEW (CUSTOM FEATURE ONLY)

| CUT-OUT | XDIM | YDIM | DESCRIPTION |
|---------|--------|--------|----------------------------|
| 1 | 1.875 | 1.875 | IP STUD M8 x 35mm (Inside) |
| 2 | 1.875 | 14.125 | IP STUD M8 x 35mm (Inside) |
| 3 | 10.125 | 14.125 | IP STUD M8 x 35mm (Inside) |
| 4 | 10.125 | 1.875 | IP STUD M8 x 35mm (Inside) |
| ----- | | | |
| 5 | 0.750 | 0.750 | RND Ø0.390 |
| 6 | 0.750 | 15.250 | RND Ø0.390 |
| 7 | 11.250 | 0.750 | RND Ø0.390 |
| 8 | 11.250 | 15.250 | RND Ø0.390 |



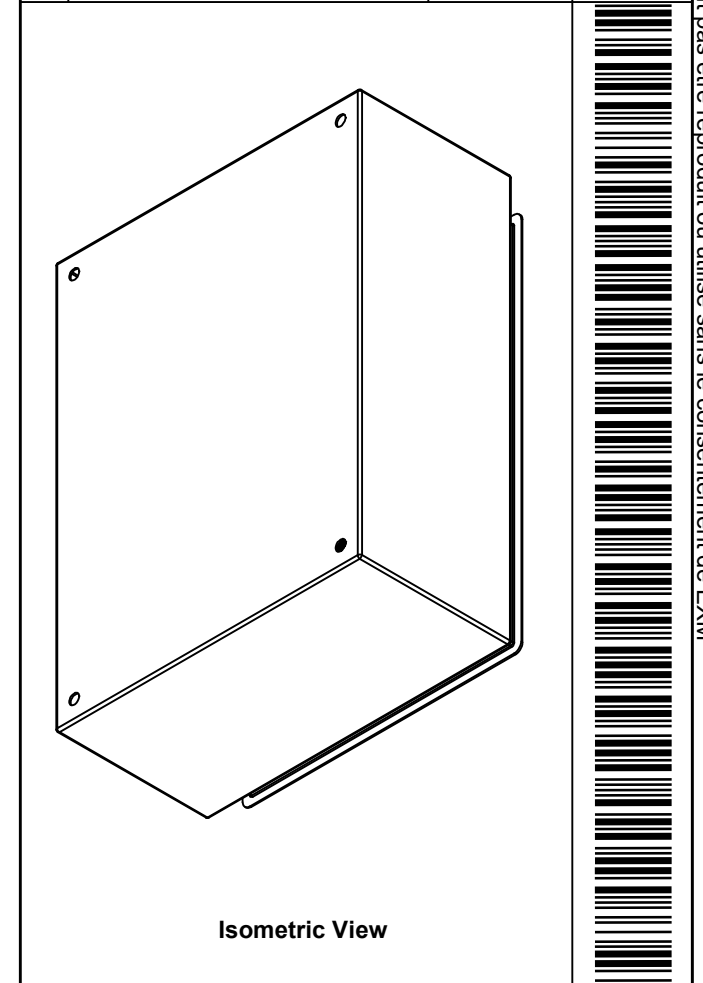
BACK

| | | |
|--|-------------------------------|----------|
| | Description | Status |
| | 5412ESSQT 16" x 12" x 6" Body | (NULL) |
| | Part Number | Rev. |
| | Numéro Pièce | 5 |
| | 5412ESSQT1612066B | 0 |
| | | 9 |

This drawing is confidential and must not be reproduced or used without the consent of EXM


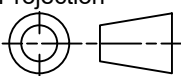
Ce dessin est confidentiel et ne doit pas être reproduit ou utilisé sans le consentement de EXM

| No. | Revisions | Date | By/Par |
|-----|-----------|------|--------|
| | | | |
| | | | |
| | | | |
| | | | |
| | | | |



Isometric View



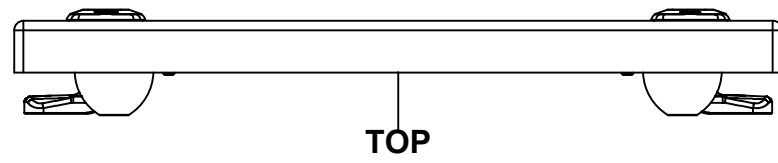
| | | |
|--|------------------------|---|
|  Tél: (450) 979-4373 Fax: (450) 979-4626 www.exmweb.com | | Flatness Aplatissement Max 3.0mm |
| Customer Client | | Projection  |
| Drawn By / Dessiné Par: BoxCad: BoxCad | | Date: 30-Jan-26 |
| Material / Matière: 16 Ga Stainless Steel 316 (1.4mm) | | |
| Color / Couleur: Unpainted | Finish / Fini: Brushed | |
| Description: 5412ESSQT 16" x 12" x 6" Body | | Detail Rev. |
| Part Number / Numéro Pièce: 5412ESSQT1612066B | | Rev. 0 |

| Qty | Part Number | Rev | Description |
|------------|---------------------|-----|---------------------------------------|
| 1 | STK-Q-16085 | 0 | Ground Stud M6 x 16mm Stainless Steel |
| 4 | STK-Q-16020 | 1 | Stud M8 x 35mm Stainless Steel |
| 1 | 5412ESSQT1612066B-P | 0 | 5412ESSQT 16" x 12" x 6" Body Part |
| Parts List | | | |

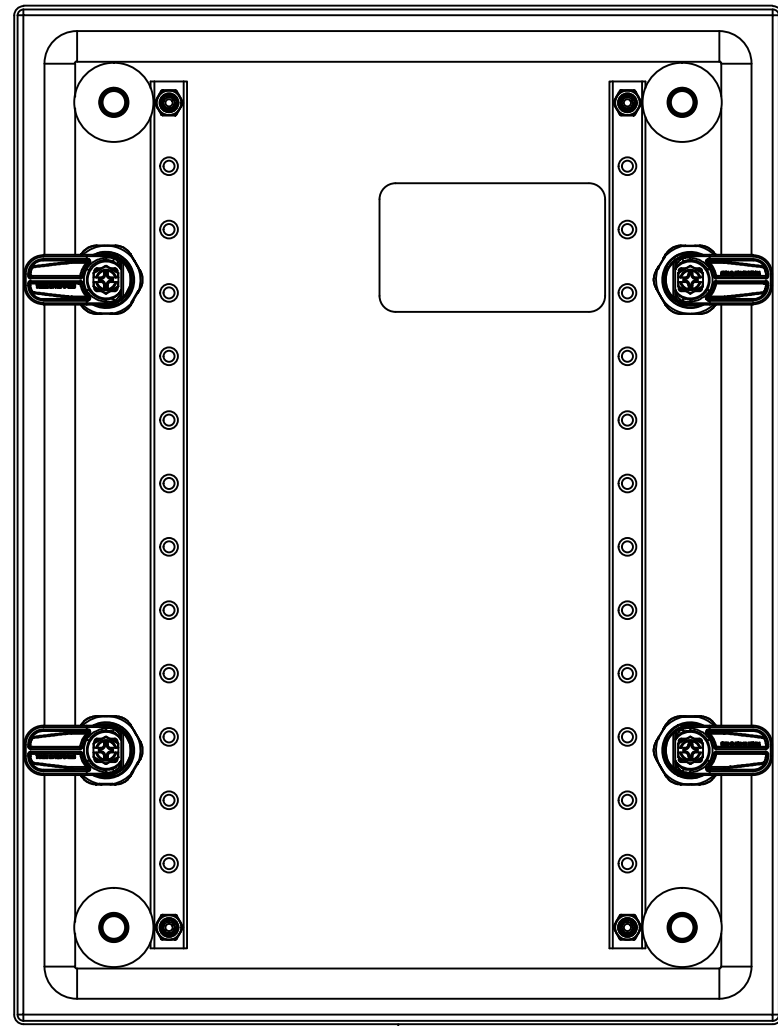
6
9

This drawing is confidential and must not be reproduced or used without the consent of EXM

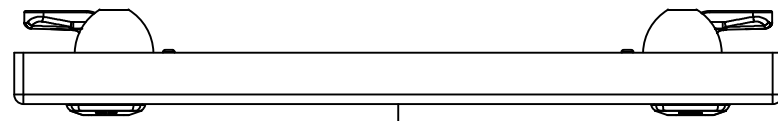
Ce dessin est confidentiel et ne doit pas être reproduit ou utilisé sans le consentement de EXM



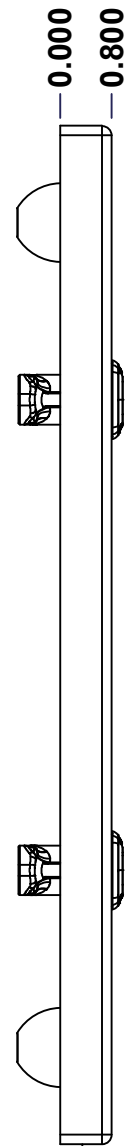
TOP



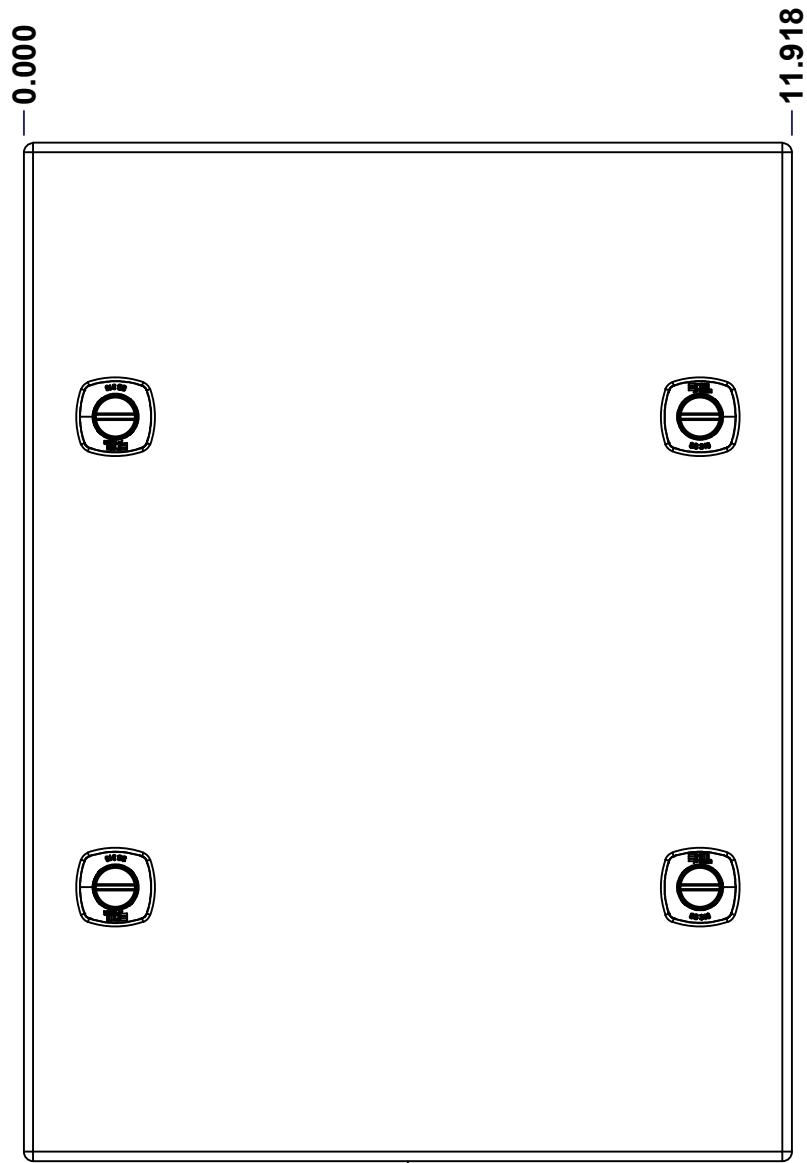
BACK



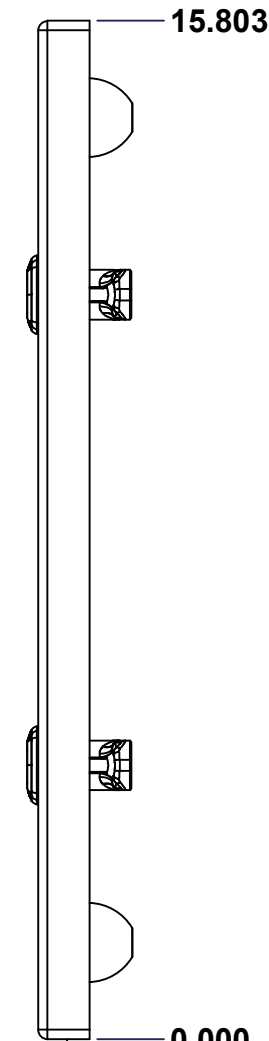
BOTTOM



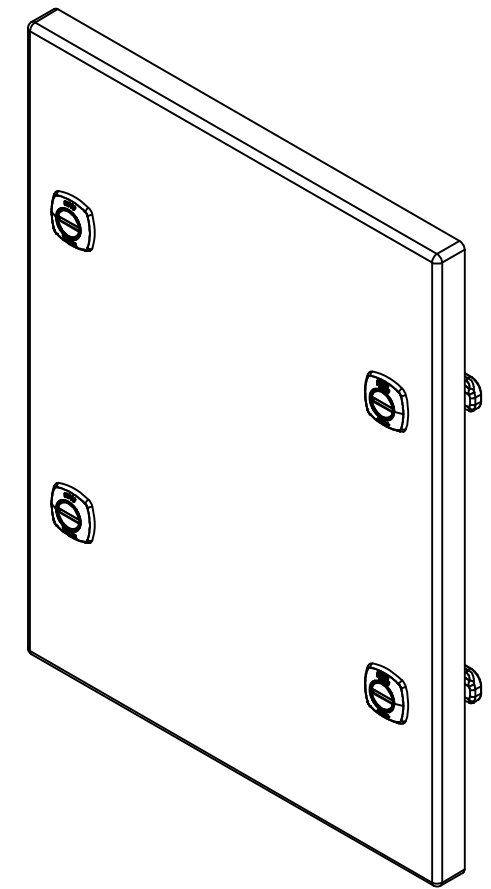
LEFT



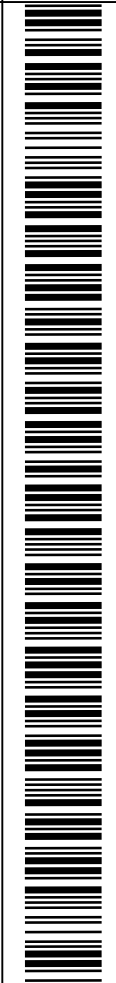
FRONT




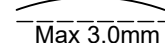
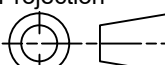
RIGHT



Isometric View



| No. | Revisions | Date | By/Par |
|-----|-----------|------|--------|
| | | | |
| | | | |
| | | | |
| | | | |

| | | |
|--|-----------------------------------|---|
|  Tél: (450) 979-4373 Fax: (450) 979-4626 www.exmweb.com | | Flatness Aplatissement  Max 3.0mm Projection  |
| Customer Client | Date | |
| Drawn By Dessiné Par | BoxCad: BoxCad | Date 30-Jan-26 |
| Material Matière | 16 Ga Stainless Steel 316 (1.4mm) | |
| Color Couleur | Unpainted | Finish Fini Brushed |
| Description 5412ESSQT 16" x 12" Cover | | Detail Rev. |
| Part Number Numéro Pièce | Rev. 0 | 7 9 |

SEE BILL OF MATERIAL ON LAST PAGE

5412ESSQT1612066C

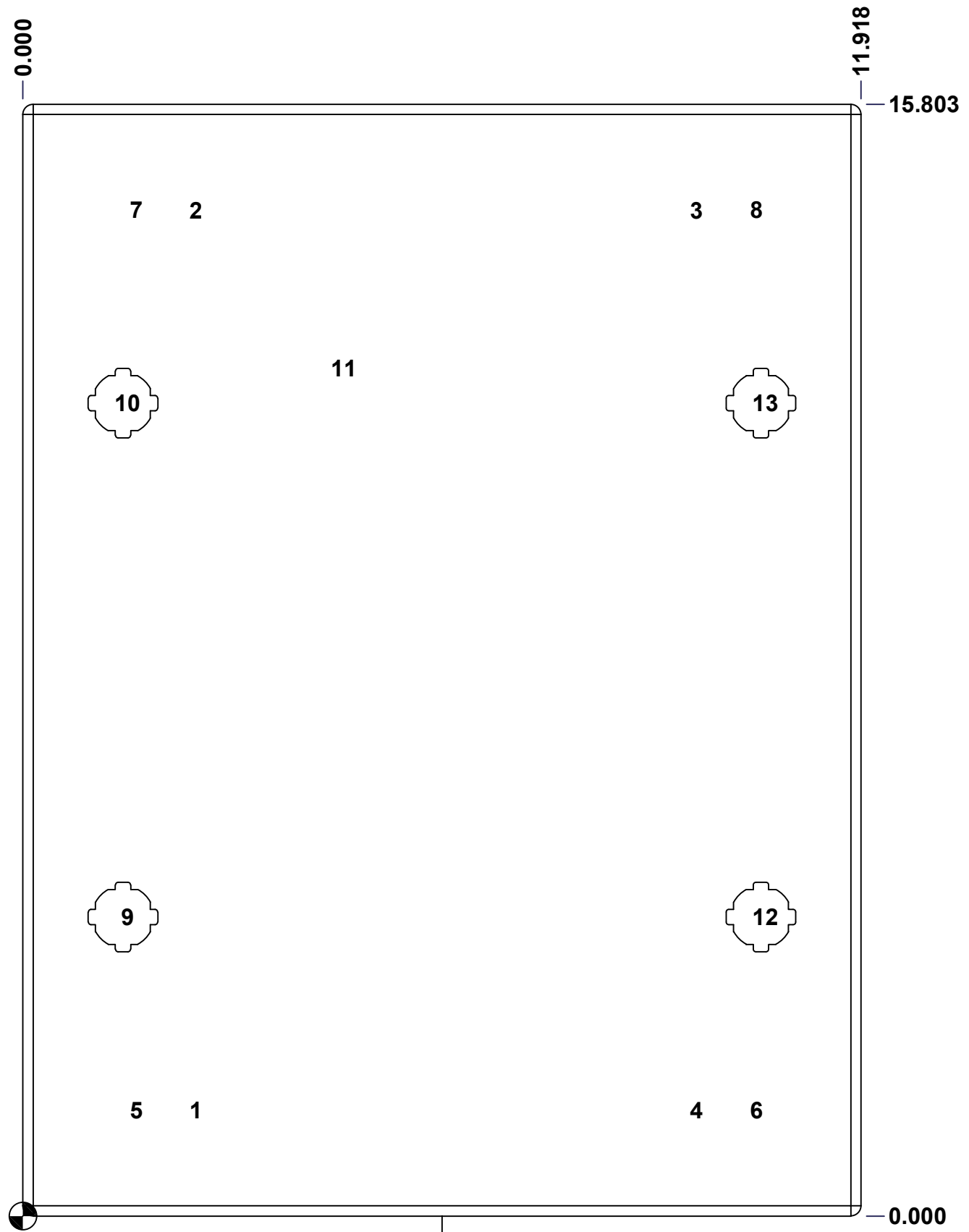
This drawing is confidential and must not be reproduced or used without the consent of EXM

Ce dessin est confidentiel et ne doit pas être reproduit ou utilisé sans le consentement de EXM

STANDARD FEATURES ARE NOT LISTED IN THIS HOLE TABLE

HOLE TABLE - FRONT VIEW (CUSTOM FEATURE ONLY)

| CUT-OUT | XDIM | YDIM | DESCRIPTION |
|---------|--------|--------|------------------------------|
| 1 | 2.401 | 1.504 | STUD M6 x 18mm (Inside) |
| 2 | 2.401 | 14.299 | STUD M6 x 18mm (Inside) |
| 3 | 9.517 | 14.299 | STUD M6 x 18mm (Inside) |
| 4 | 9.517 | 1.504 | STUD M6 x 18mm (Inside) |
| 5 | 1.550 | 1.500 | STUD M6 x 18mm (Inside) |
| 6 | 10.368 | 1.500 | STUD M6 x 18mm (Inside) |
| 7 | 1.550 | 14.303 | STUD M6 x 18mm (Inside) |
| 8 | 10.368 | 14.303 | STUD M6 x 18mm (Inside) |
| ----- | | | |
| 9 | 1.424 | 4.250 | LOCK 880 SCQ4-SLSS6 @ 180.0° |
| 10 | 1.424 | 11.553 | LOCK 880 SCQ4-SLSS6 @ 180.0° |
| 11 | 4.500 | 12.053 | LABEL_EXM (Inside) |
| 12 | 10.494 | 4.250 | LOCK 880 SCQ4-SLSS6 @ 0.0° |
| 13 | 10.494 | 11.553 | LOCK 880 SCQ4-SLSS6 @ 0.0° |



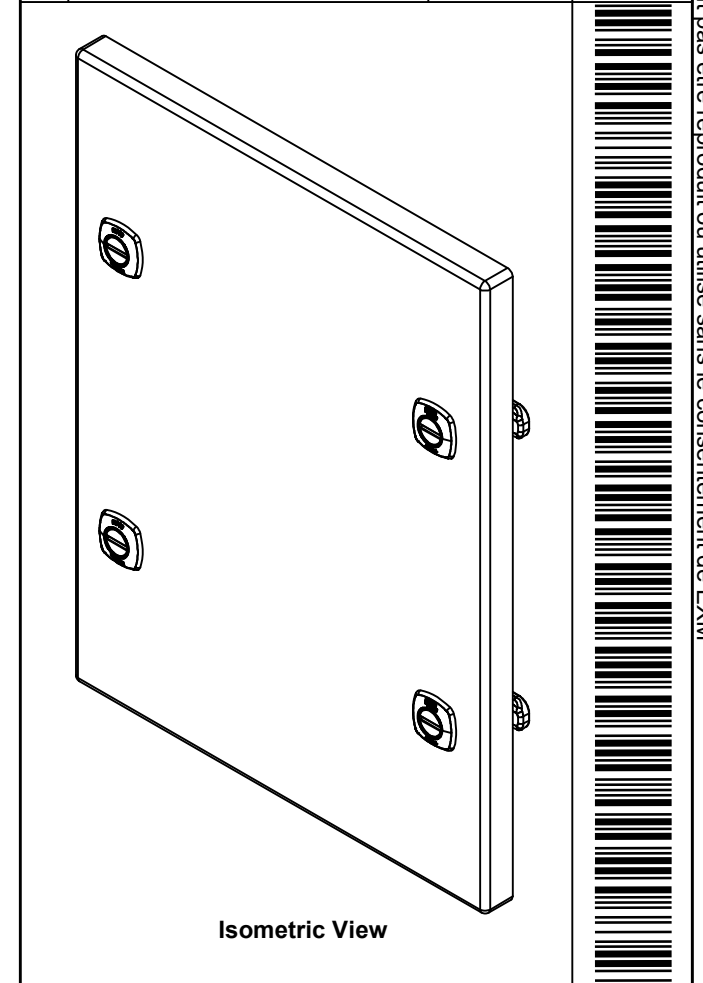
FRONT

| | | |
|---|---------------------------|--------|
| | Description | Status |
| | 5412ESSQT 16" x 12" Cover | (NULL) |
| Part Number Numéro Pièce 5412ESSQT1612066C | Rev. | 8 |
| | 0 | 9 |

This drawing is confidential and must not be reproduced or used without the consent of EXM

Ce dessin est confidentiel et ne doit pas être reproduit ou utilisé sans le consentement de EXM

| No. | Revisions | Date | By/Par |
|-----|-----------|------|--------|
| | | | |
| | | | |
| | | | |
| | | | |
| | | | |

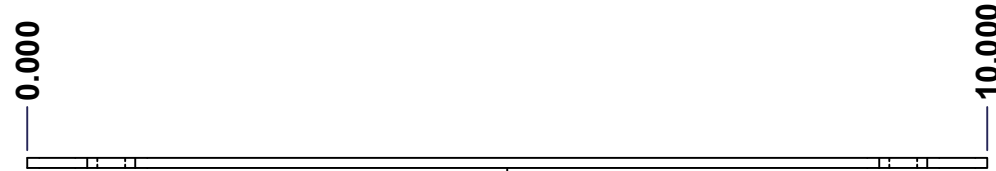


| | | | |
|--|--|---------------------------|---------------|
| Tél: (450) 979-4373 Fax: (450) 979-4626 www.exmweb.com | | Flatness Aplatissement | |
| | | Max 3.0mm | |
| Customer Client | | Date | |
| Drawn By Dessiné Par BoxCad: BoxCad | | Date 30-Jan-26 | |
| Material Matière 16 Ga Stainless Steel 316 (1.4mm) | | | |
| Color Couleur Unpainted | | Finish Fini Brushed | |
| Description 5412ESSQT 16" x 12" Cover | | | Detail Rev. |
| Part Number Numéro Pièce 5412ESSQT1612066C | | | Rev. 0 |

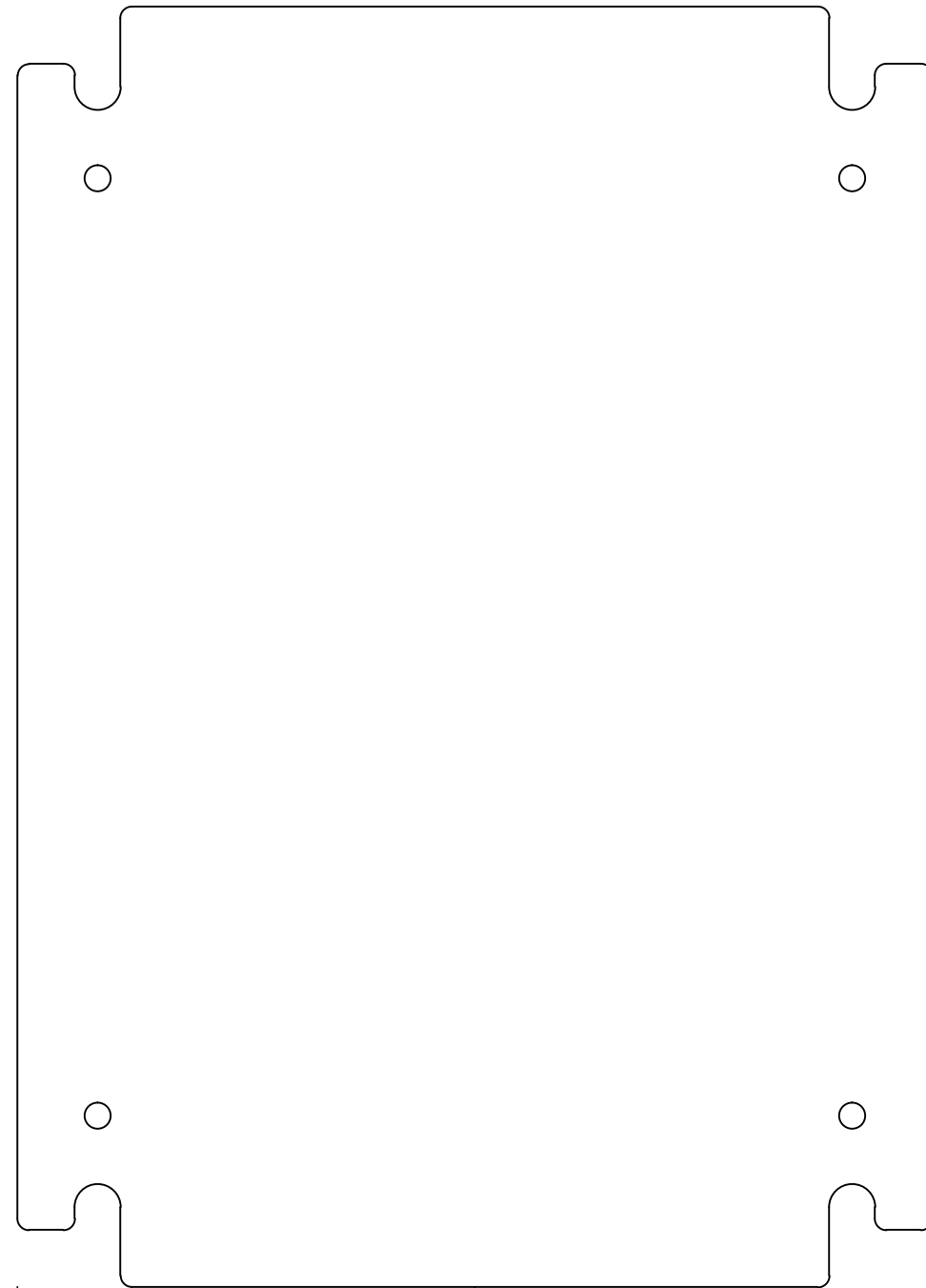
| QTY | Part Number | Rev | Description |
|------------|---------------------|-----|--|
| 1 | STK-S-00100 | 0 | 3.5" x 2" Silver Milar Flexcon Sticker |
| 4 | STK-K-12590 | 7 | 5412 ESS 1/4 Turn Lock |
| 4 | STK-Q-07220 | 1 | M6 Nylon Insert Lock Nut |
| 2 | STK-Q-46020-16 | 5 | 5412 ES Vertical Door Stiffener 16" |
| 8 | STK-Q-16070 | 1 | Stud M6 x 18mm Stainless steel |
| 1 | 5412ESSQT1612066G | 0 | 5412ESSQT 16" x 12" Cover Gasket Part |
| 1 | 5412ESSQT1612066C-P | 0 | 5412ESSQT 16" x 12" Cover Part |
| 4 | STK-Q-46515 | 3 | 5412 ES Door Support with Brass Insert |
| Parts List | | | |

This drawing is confidential and must not be reproduced or used without the consent of EXM

Ce dessin est confidentiel et ne doit pas être reproduit ou utilisé sans le consentement de EXM

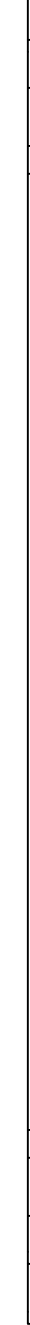


TOP



FRONT

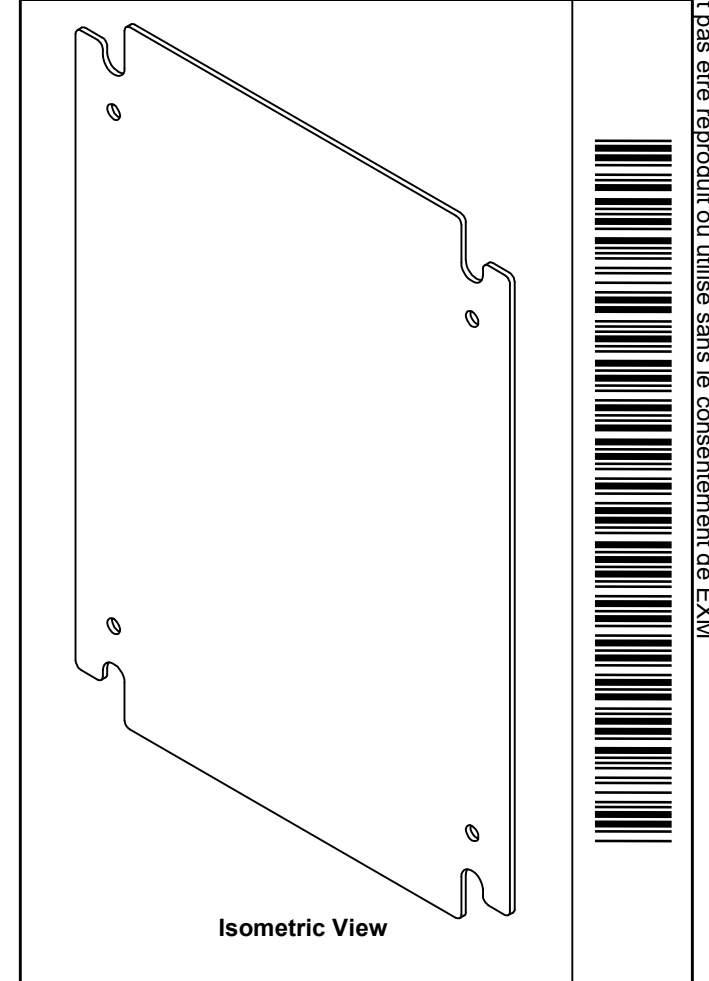
14.000



RIGHT


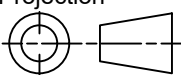
0.000

| No. | Revisions | Date | By/Par |
|-----|-----------|------|--------|
| | | | |
| | | | |
| | | | |
| | | | |



Isometric View



| | | |
|--|----------------|---|
|  Tél: (450) 979-4373 Fax: (450) 979-4626 www.exmweb.com | | Flatness Aplatissement Max 3.0mm Projection  |
| Customer Client | Date | |
| Drawn By Dessiné Par BoxCad | Date 23-Jan-07 | |
| Material Matière | See Part List | |
| Color Couleur | See Part List | Finish Fini See Part List |
| Description 881 SP - Inner Panel | | Detail Rev. |
| Part Number Numéro Pièce | Rev. 0 | 1 2 |

| Qty | Part Number | Rev | Description | Material | Color | Finish |
|-----|---------------|-----|---------------------------|------------------|-----------|------------|
| 1 | 881 SP1612G-P | 0 | 881 SP - Inner Panel Part | 12 Ga Galvanized | Unpainted | Galvanized |

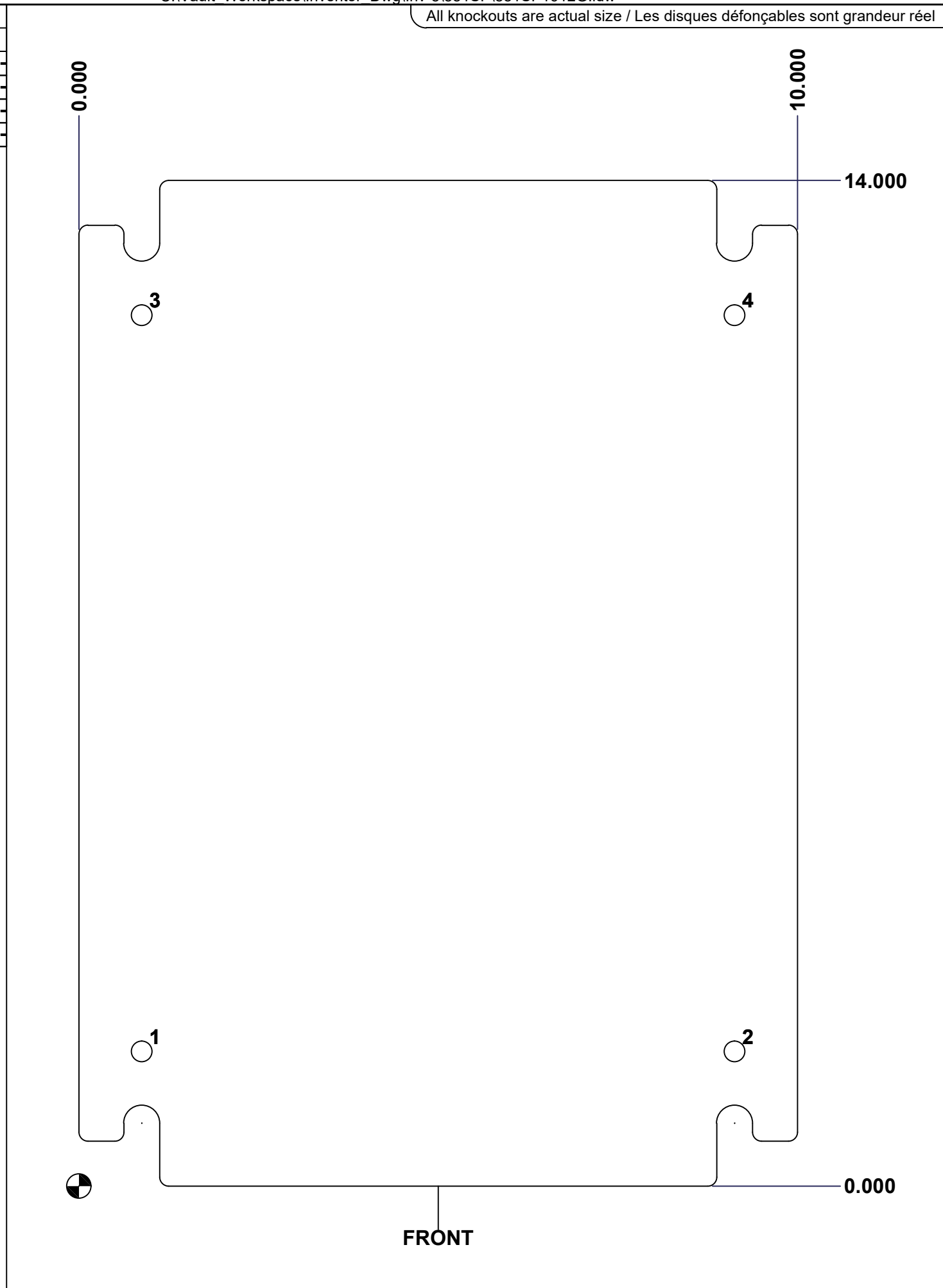
Parts List

This drawing is confidential and must not be reproduced or used without the consent of EXM

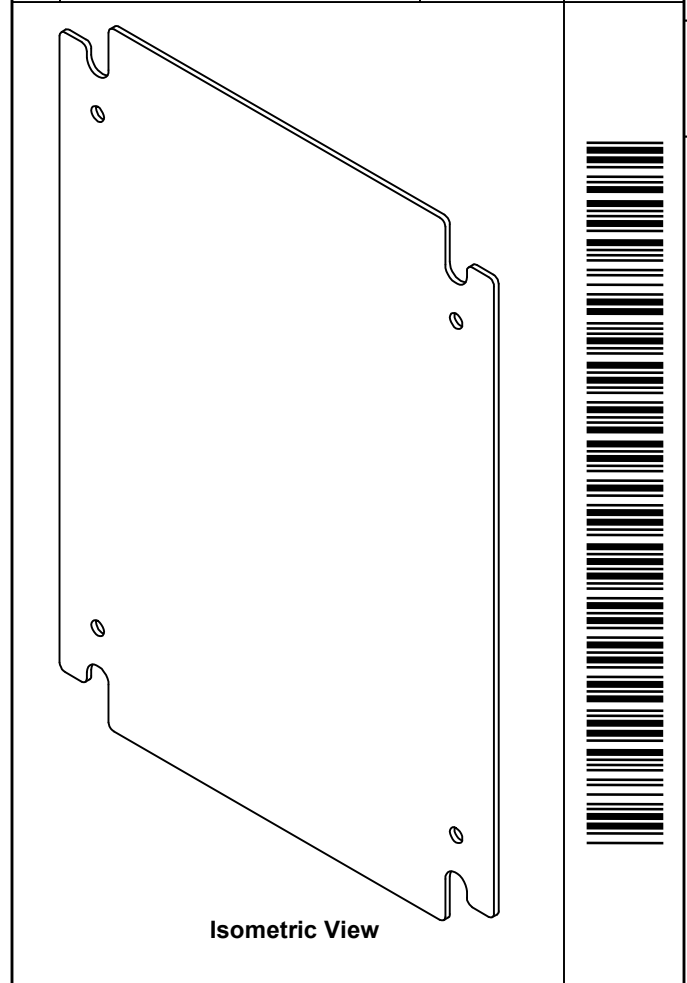
Ce dessin est confidentiel et ne doit pas être reproduit ou utilisé sans le consentement de EXM

| Table 1 | | | FRONT VIEW |
|---------|-------|--------|--------------------------|
| CUT-OUT | XDIM | YDIM | DESCRIPTION |
| 1 | 0.875 | 1.875 | GROUND HOLE (RND Ø0.290) |
| 2 | 9.125 | 1.875 | GROUND HOLE (RND Ø0.290) |
| 3 | 0.875 | 12.125 | GROUND HOLE (RND Ø0.290) |
| 4 | 9.125 | 12.125 | GROUND HOLE (RND Ø0.290) |

All knockouts are actual size / Les disques défonçables sont grandeur réel



| No. | Revisions | Date | By/Par |
|-----|-----------|------|--------|
| | | | |
| | | | |
| | | | |
| | | | |
| | | | |



| | | |
|-----------------------------|--|--|
| | Tél: (450) 979-4373 Fax: (450) 979-4626 www.exmweb.com | Flatness Aplatissement Max 3.0mm |
| | | Projection |
| Customer Client | | Date |
| Drawn By Dessiné Par | BoxCad | Date 23-Jan-07 |
| Material Matière | See Part List | |
| Color Couleur | See Part List | Finish Fini See Part List |
| Description | 881 SP - Inner Panel | |
| Part Number Numéro Pièce | 881 SP1612G | Detail Rev. |
| | Rev. 0 | 2 / 2 |