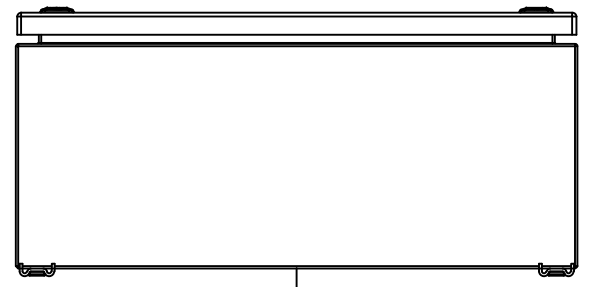
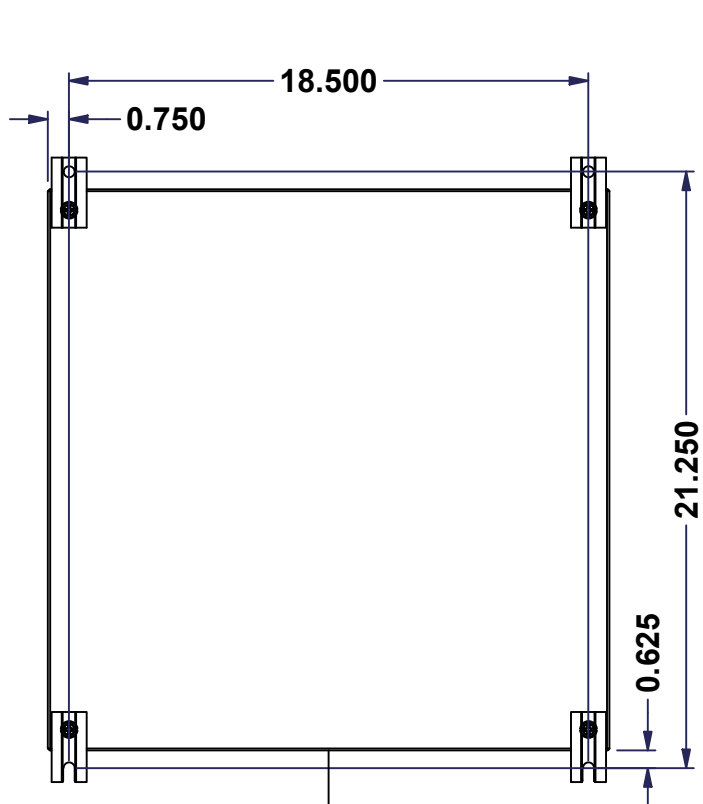


This drawing is confidential and must not be reproduced or used without the consent of EXM

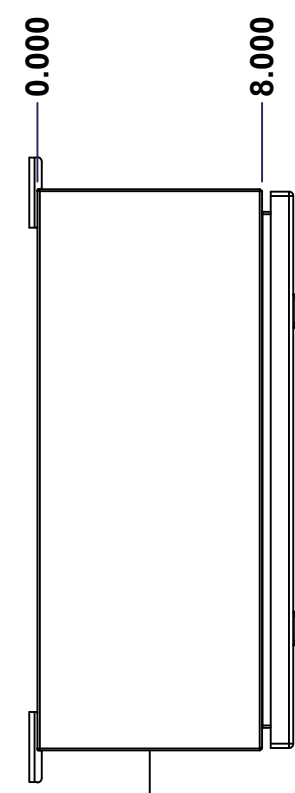
Ce dessin est confidentiel et ne doit pas être reproduit ou utilisé sans le consentement de EXM



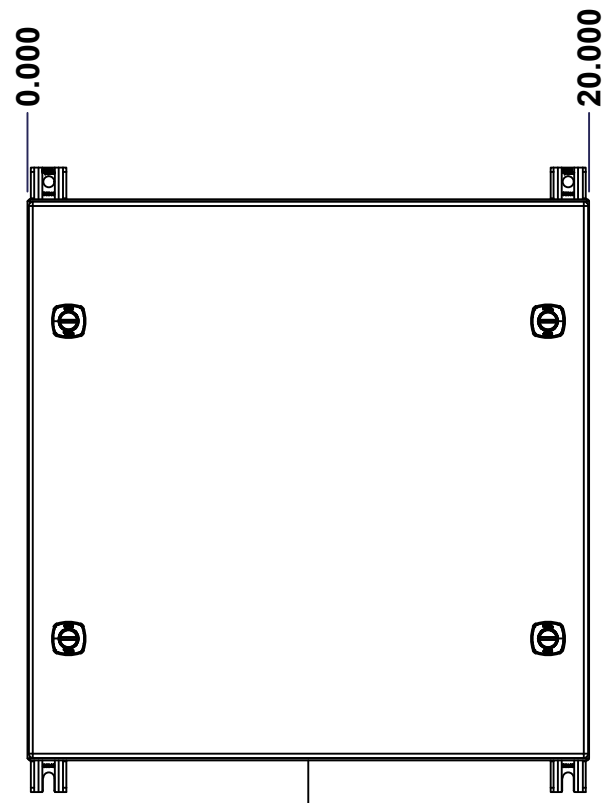
TOP



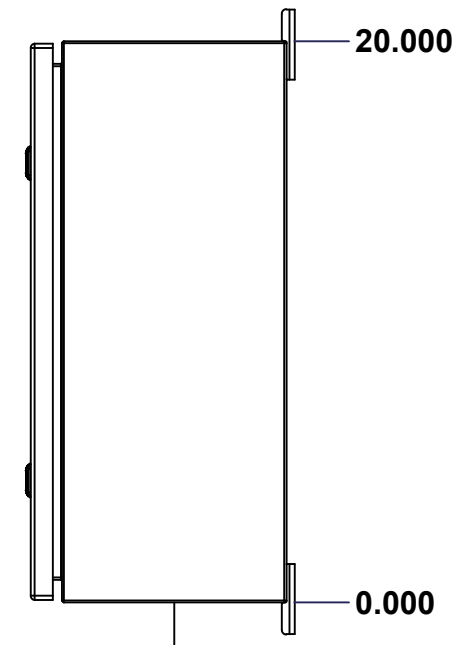
BACK



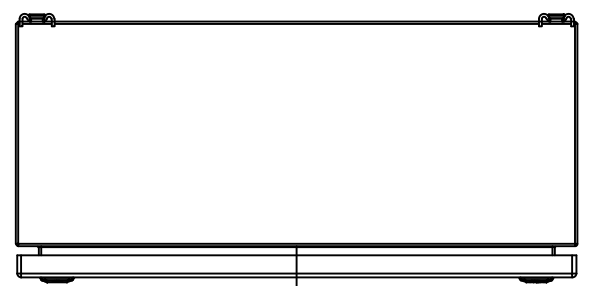
LEFT



FRONT

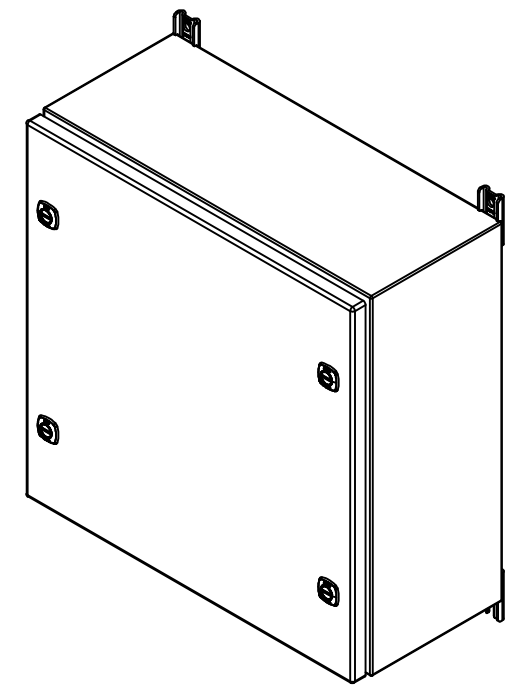


RIGHT



BOTTOM

| No. | Revisions | Date | By/Par |
|-----|-----------|------|--------|
|     |           |      |        |
|     |           |      |        |
|     |           |      |        |
|     |           |      |        |


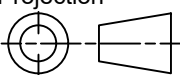


Isometric View



**GRAIN DIRECTION:  
TOP/BOTTOM: HORIZONTAL  
LEFT/RIGHT/BACK/FRONT: VERTICAL**

SEE BILL OF MATERIAL ON LAST PAGE

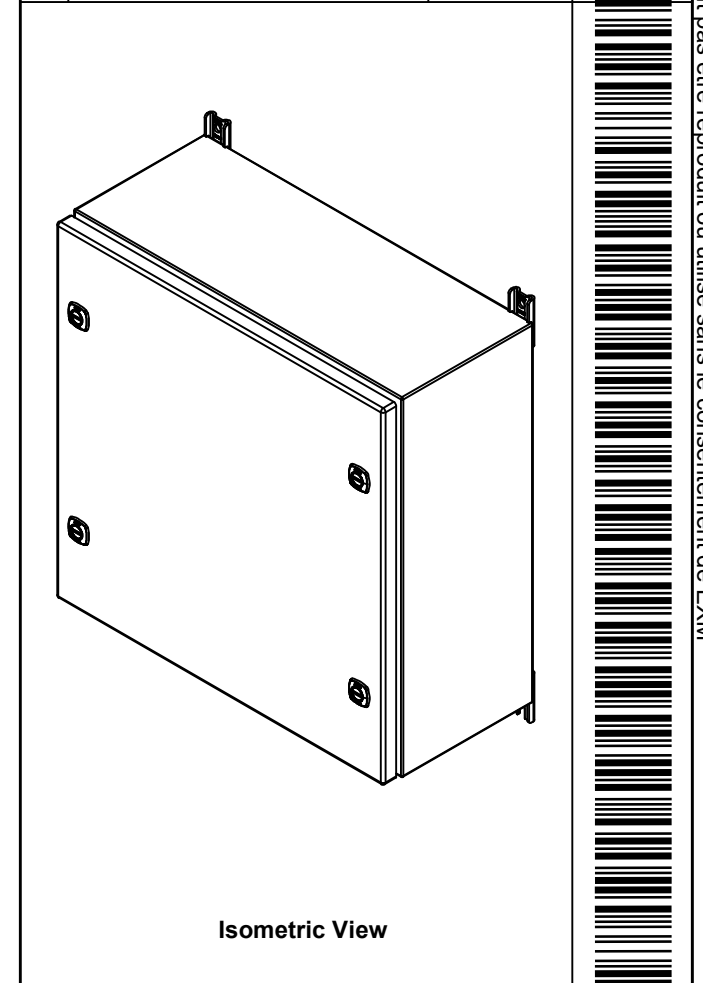
|  |                                   |   |
|--|-----------------------------------|---|
|  Tél: (450) 979-4373<br>Fax: (450) 979-4626<br><a href="http://www.exmweb.com">www.exmweb.com</a> |                                   | Flatness<br>Aplatissement<br>Max 3.0mm<br>Projection<br> |
| Customer Client  | Date                              |   |
| Drawn By<br>Dessiné Par  | BoxCad: BoxCad                    | Date 11-Feb-26  |
| Material<br>Matière  | 16 Ga Stainless Steel 316 (1.4mm) |   |
| Color<br>Couleur   | Unpainted                         | Finish<br>Fini<br>Brushed   |
| Description  | Detail Rev.                       |   |
| 5412ESSQT 20" x 20" x 8" Assembly  |                                   |   |
| Part Number<br>Numéro Pièce  | Rev.                              | 1   |
| 5412ESSQT2020086TH   | 0                                 | 16  |

This drawing is confidential and must not be reproduced or used without the consent of EXM

Ce dessin est confidentiel et ne doit pas être reproduit ou utilisé sans le consentement de EXM

| NOTE |   |
|------|---|
| ITEM | DESCRIPTION                                     |
| 1    | NEMA 4X Enclosure (IP66)                        |
| 2    | C/W Standard ground studs on box and cover      |
| 3    | C/W Standard door stiffener                     |
| 4    | C/W Standard inner panel (Included)             |
| 5    | C/W Standard inner panel mounting studs         |
| 6    | C/W 885 ESMF4_OPEN Sold separately (Installed)  |
| 7    | C/W 885 ESMF4_CLOSE Sold separately (Installed) |
| 8    | C/W R5 Insulation (Installed aluminum visible)  |

| No. | Revisions | Date | By/Par |
|-----|-----------|------|--------|
|     |           |      |        |
|     |           |      |        |
|     |           |      |        |
|     |           |      |        |
|     |           |      |        |
|     |           |      |        |
|     |           |      |        |




 Tél: (450) 979-4373  
 Fax: (450) 979-4626  
[www.exmweb.com](http://www.exmweb.com)

Flatness / Aplatissement: Max 3.0mm  
 Projection: 

|   |                 |
|---|-----------------|
| Customer Client                                       | Date            |
| Drawn By / Dessiné Par: BoxCad: BoxCad                | Date: 11-Feb-26 |
| Material / Matière: 16 Ga Stainless Steel 316 (1.4mm) |                 |

|   |                        |
|---|------------------------|
| Color / Couleur: Unpainted                            | Finish / Fini: Brushed |
| Description: 5412ESSQT 20" x 20" x 8" Assembly        | Detail Rev.            |
| Part Number / Numéro Pièce: <b>5412ESSQT2020086TH</b> | Rev. 0                 |

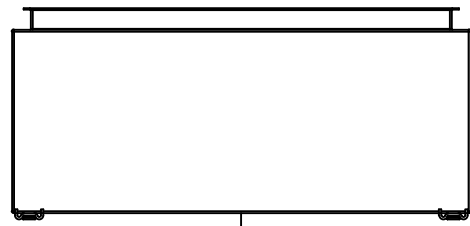
| PACKING               |     |  |
|-----------------------|-----|--|
| ITEM                  | QTY | DESCRIPTION                                |
| Cardboard sleeve      | 2   | Top and Bottom                             |
| Cardboard strip       | 2   | Between back of enclosure and inner panel  |
| Plastic bag           | 1   | To protect cover surface and inside gasket |
| Plastic strap - Black | 2   | To Squeeze the 2 cardboard sleeve together |
| Packaging label       | 1   | White label with product number            |

| Qty | Part Number         | Rev | Description                   |
|-----|---------------------|-----|-------------------------------|
| 1   | STK-K-01800         | 5   | 5412 ES Accessory Kit         |
| 4   | STK-Q-00600         | 2   | M12 to M8 Adaptor             |
| 1   | 881 SP2020G         | 0   | 881 SP - Inner Panel          |
| 1   | 5412ESSQT2020086THC | 0   | 5412ESSQT 20" x 20" Cover     |
| 1   | 5412ESSQT2020086THB | 0   | 5412ESSQT 20" x 20" x 8" Body |

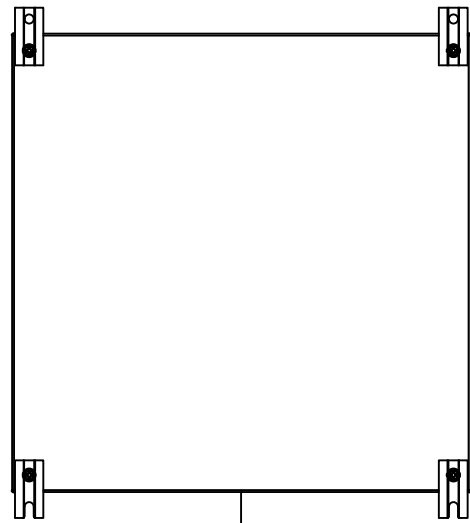
Parts List

This drawing is confidential and must not be reproduced or used without the consent of EXM

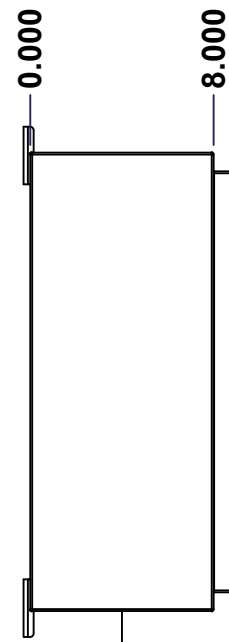
Ce dessin est confidentiel et ne doit pas être reproduit ou utilisé sans le consentement de EXM



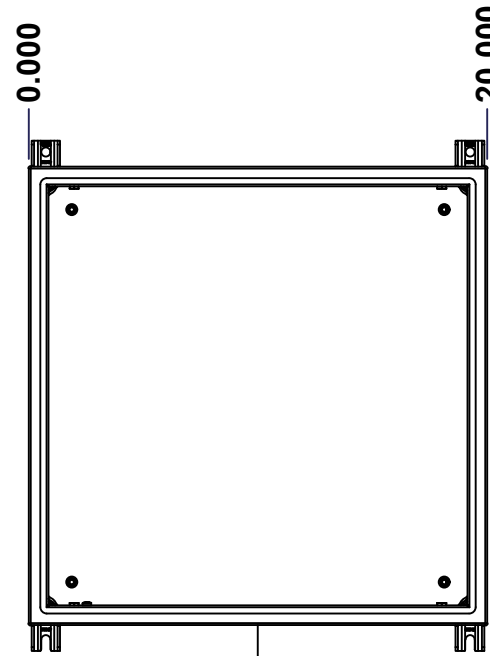
TOP



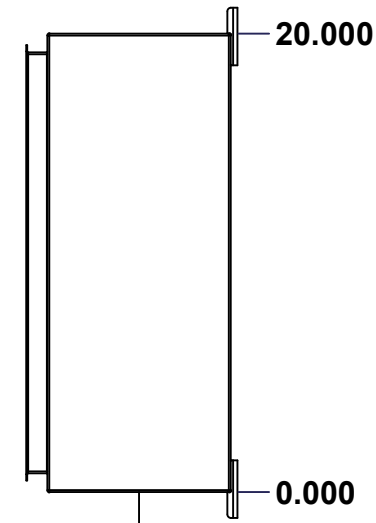
BACK



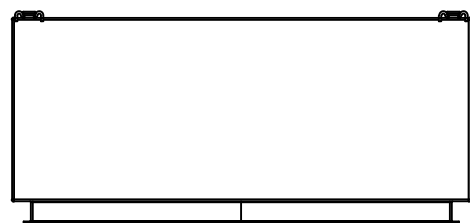
LEFT



FRONT

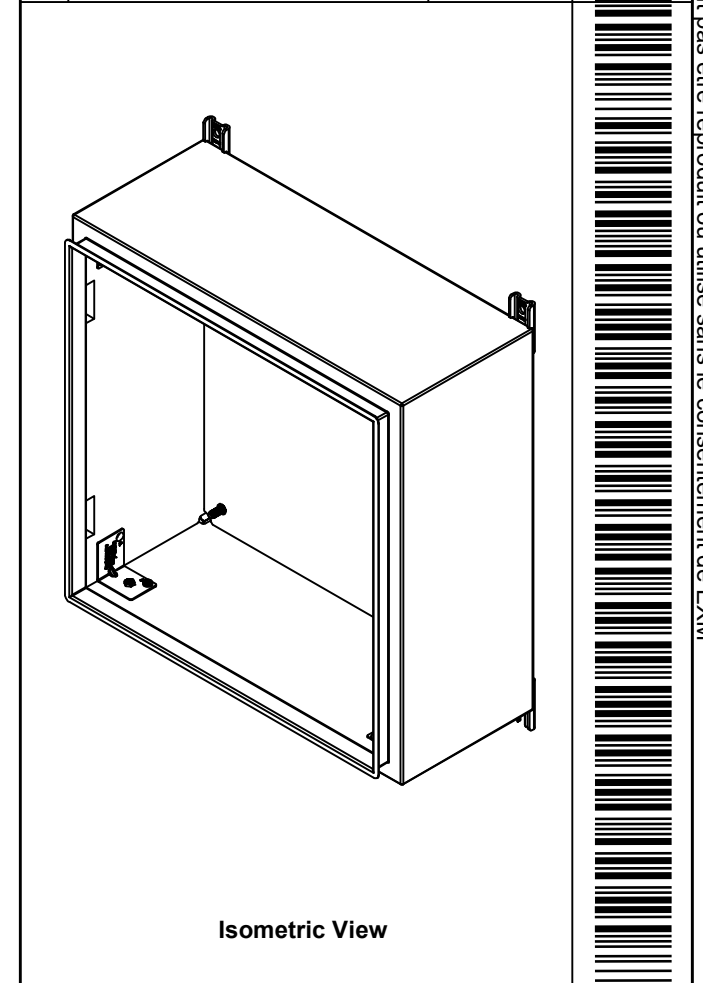


RIGHT




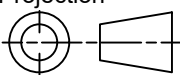
BOTTOM

| No. | Revisions | Date | By/Par |
|-----|-----------|------|--------|
|     |           |      |        |
|     |           |      |        |
|     |           |      |        |
|     |           |      |        |



Isometric View



|  |                                   |   |
|--|-----------------------------------|---|
|  Tél: (450) 979-4373<br>Fax: (450) 979-4626<br><a href="http://www.exmweb.com">www.exmweb.com</a> |                                   | Flatness<br>Aplatissement<br>Max 3.0mm<br>Projection<br> |
| Customer Client  | Date                              |   |
| Drawn By<br>Dessiné Par  | BoxCad: BoxCad                    | Date 11-Feb-26  |
| Material<br>Matière  | 16 Ga Stainless Steel 316 (1.4mm) |   |
| Color<br>Couleur   | Unpainted                         | Finish<br>Fini Brushed  |
| Description  | Detail Rev.                       |   |
| 5412ESSQT 20" x 20" x 8" Body  |                                   |   |
| Part Number<br>Numéro Pièce  | Rev. 0                            | 3   |
| SEE BILL OF MATERIAL ON LAST PAGE  |                                   | 16  |

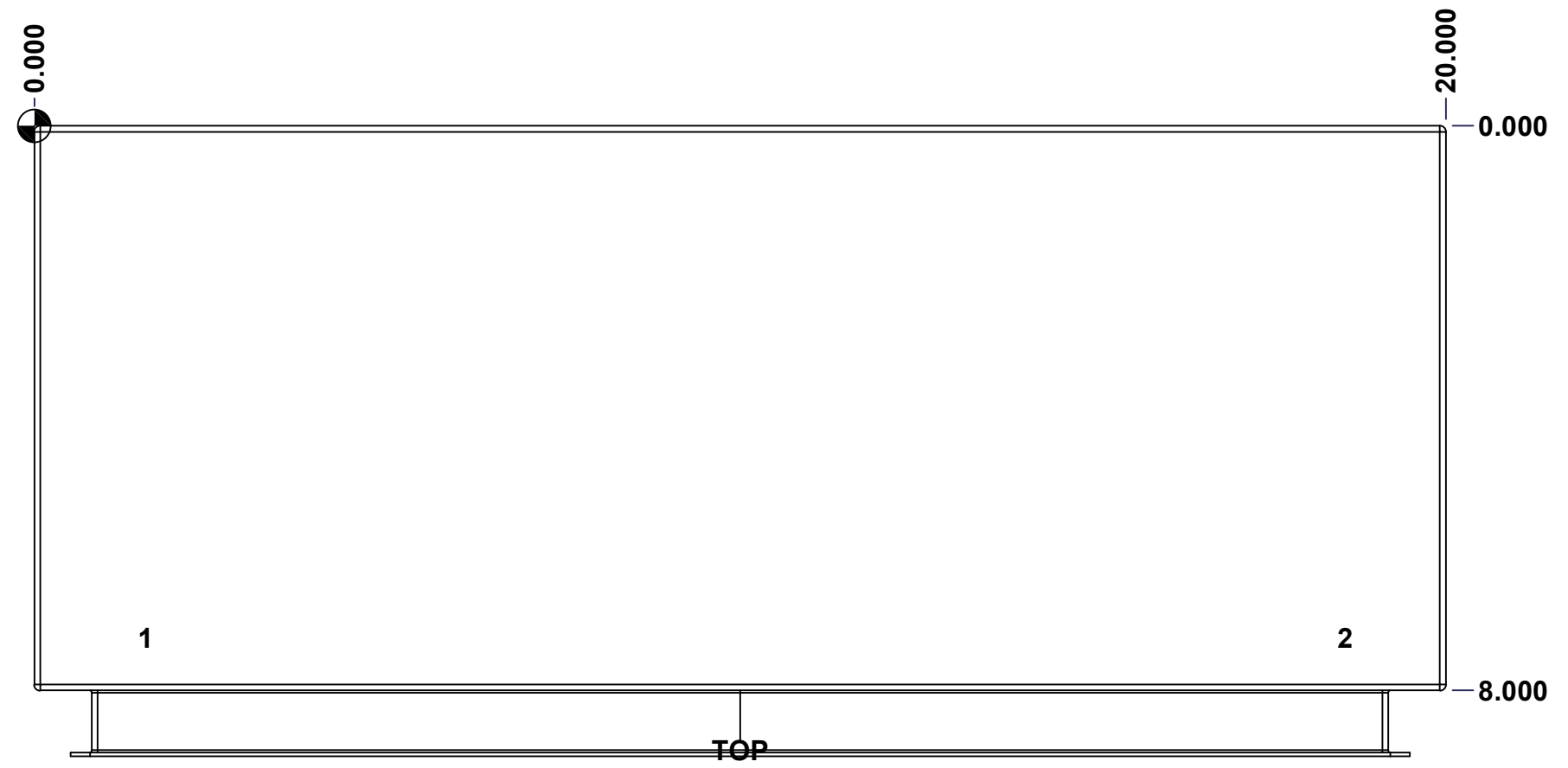
SEE BILL OF MATERIAL ON LAST PAGE

**5412ESSQT2020086THB**

This drawing is confidential and must not be reproduced or used without the consent of EXM

Ce dessin est confidentiel et ne doit pas être reproduit ou utilisé sans le consentement de EXM

| STANDARD FEATURES ARE NOT LISTED IN THIS HOLE TABLE |        |       |                                |
|---|--------|-------|--------------------------------|
| HOLE TABLE - TOP VIEW (CUSTOM FEATURE ONLY)         |        |       |                                |
| CUT-OUT   | XDIM   | YDIM  | DESCRIPTION                    |
| 1   | 1.500  | 7.250 | INSUL. STUD M6 x 18mm (Inside) |
| 2   | 18.500 | 7.250 | INSUL. STUD M6 x 18mm (Inside) |

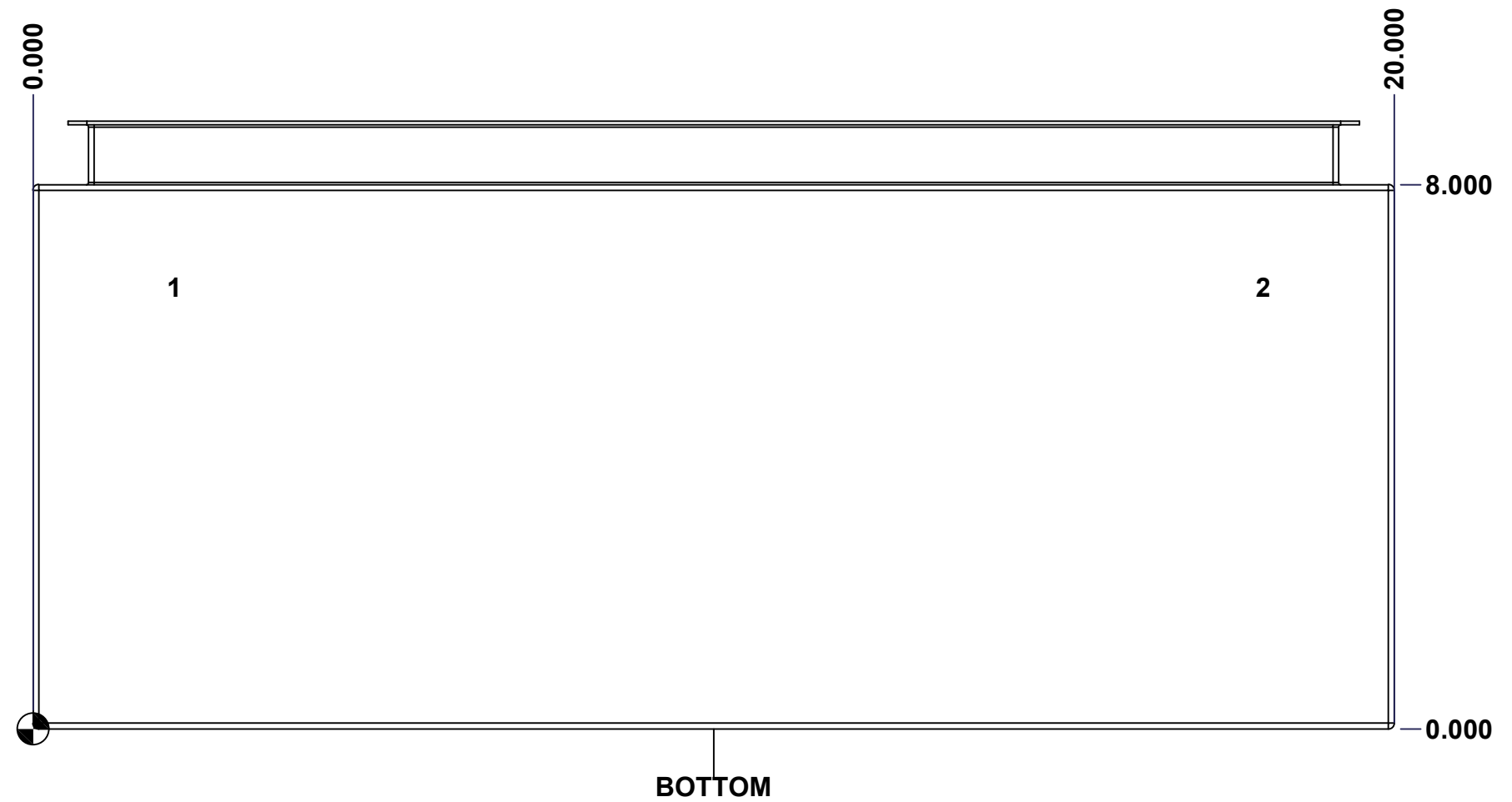


|  |                               |              |
|--|-------------------------------|--------------|
|  | Description                   | Status       |
|  | 5412ESSQT 20" x 20" x 8" Body | (NULL)       |
|  | Part Number<br>Numéro Pièce   | Rev.         |
|  | <b>5412ESSQT2020086THB</b>    | <b>0</b> / 4 |
|  |                               | 16           |

This drawing is confidential and must not be reproduced or used without the consent of EXM

Ce dessin est confidentiel et ne doit pas être reproduit ou utilisé sans le consentement de EXM

| <b>STANDARD FEATURES ARE NOT LISTED IN THIS HOLE TABLE</b> |        |       |                                |
|--|--------|-------|--------------------------------|
| <b>HOLE TABLE - BOTTOM VIEW (CUSTOM FEATURE ONLY)</b>      |        |       |                                |
| CUT-OUT  | XDIM   | YDIM  | DESCRIPTION                    |
| 1  | 2.000  | 6.500 | INSUL. STUD M6 x 18mm (Inside) |
| 2  | 18.000 | 6.500 | INSUL. STUD M6 x 18mm (Inside) |



|  |                               |              |
|--|-------------------------------|--------------|
|  | Description                   | Status       |
|  | 5412ESSQT 20" x 20" x 8" Body | (NULL)       |
|  | Part Number<br>Numéro Pièce   | Rev.         |
|  | <b>5412ESSQT2020086THB</b>    | <b>0</b> / 5 |
|  |                               | 16           |

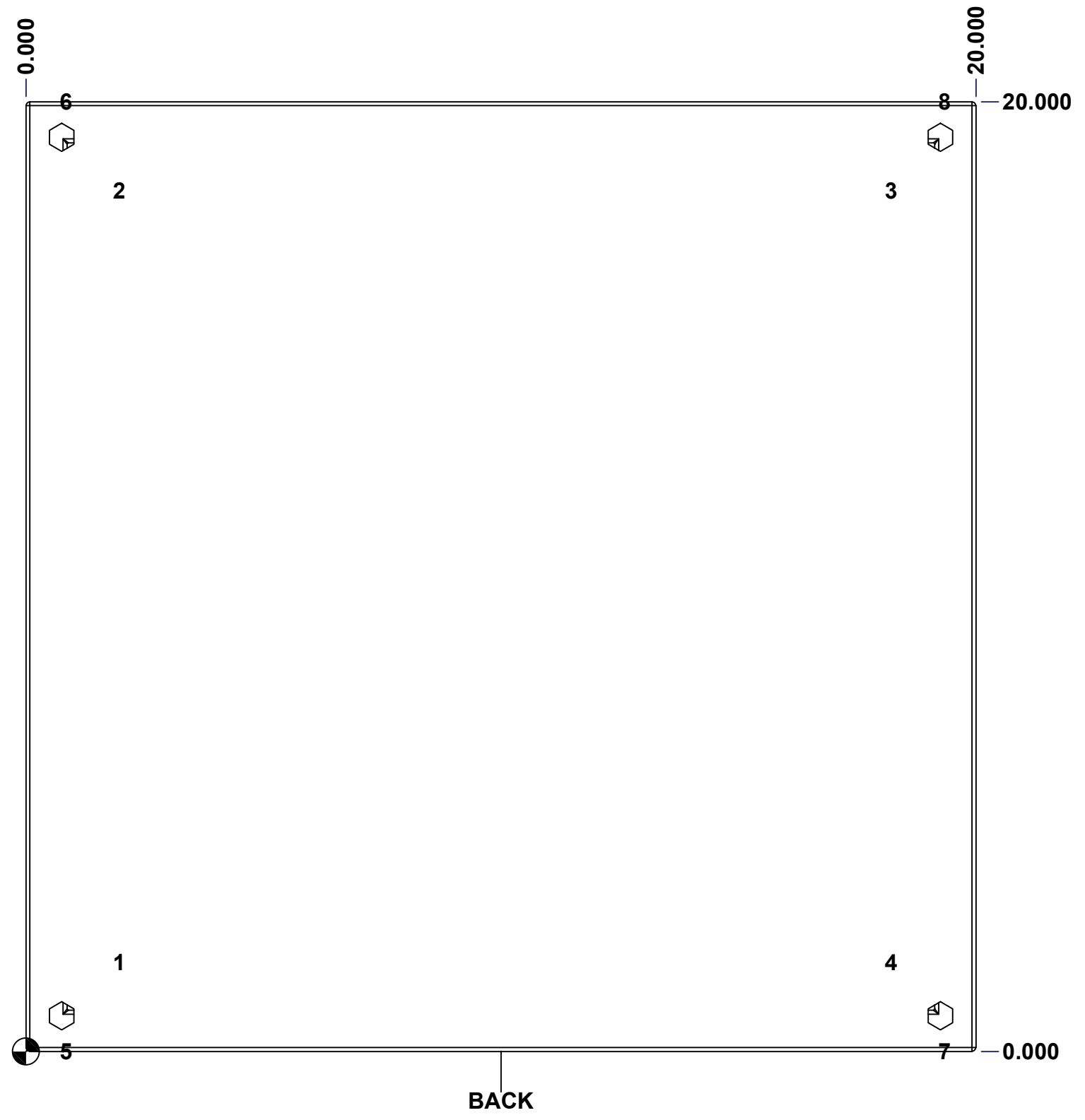
This drawing is confidential and must not be reproduced or used without the consent of EXM

Ce dessin est confidentiel et ne doit pas être reproduit ou utilisé sans le consentement de EXM

**STANDARD FEATURES ARE NOT LISTED IN THIS HOLE TABLE**

**HOLE TABLE - BACK VIEW (CUSTOM FEATURE ONLY)**

| CUT-OUT | XDIM   | YDIM   | DESCRIPTION                |
|---------|--------|--------|----------------------------|
| 1       | 1.875  | 1.875  | IP STUD M8 x 35mm (Inside) |
| 2       | 1.875  | 18.125 | IP STUD M8 x 35mm (Inside) |
| 3       | 18.125 | 18.125 | IP STUD M8 x 35mm (Inside) |
| 4       | 18.125 | 1.875  | IP STUD M8 x 35mm (Inside) |
| -----   |        |        |                            |
| 5       | 0.750  | 0.000  | FOOT 885 ESMF4_OPEN        |
| 6       | 0.750  | 20.000 | FOOT 885 ESMF4_CLOSE       |
| 7       | 19.250 | 0.000  | FOOT 885 ESMF4_OPEN        |
| 8       | 19.250 | 20.000 | FOOT 885 ESMF4_CLOSE       |

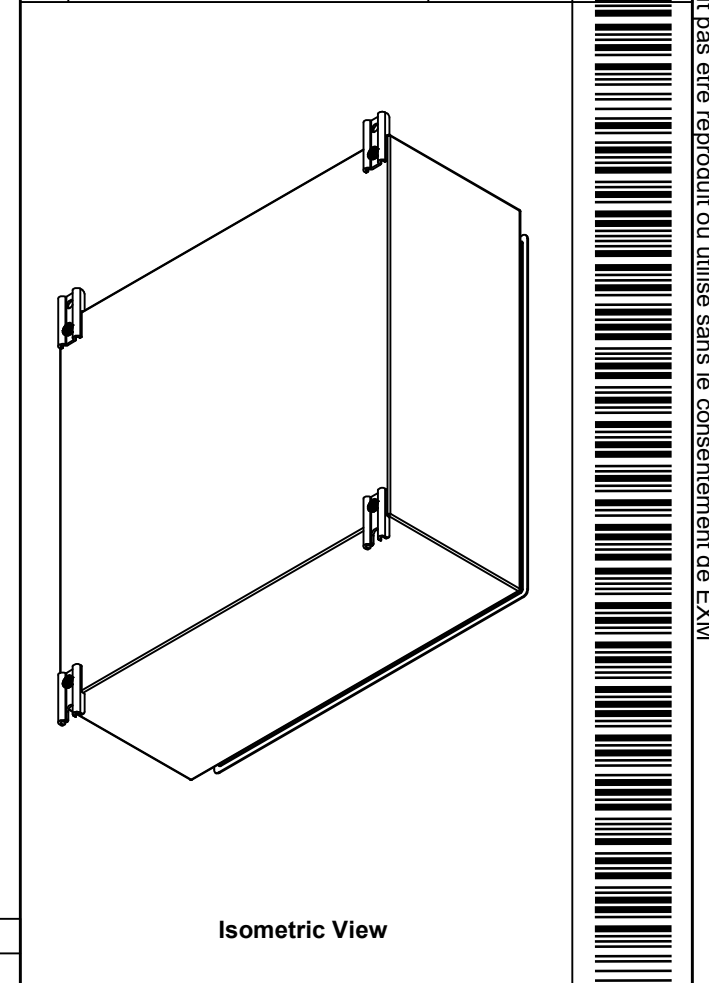


|  |                               |              |
|--|-------------------------------|--------------|
|  | Description                   | Status       |
|  | 5412ESSQT 20" x 20" x 8" Body | (NULL)       |
|  | Part Number<br>Numéro Pièce   | Rev.         |
|  | <b>5412ESSQT2020086THB</b>    | <b>0</b> / 6 |
|  |                               | 16           |

This drawing is confidential and must not be reproduced or used without the consent of EXM

Ce dessin est confidentiel et ne doit pas être reproduit ou utilisé sans le consentement de EXM


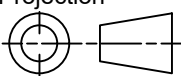
| No. | Revisions | Date | By/Par |
|-----|-----------|------|--------|
|     |           |      |        |
|     |           |      |        |
|     |           |      |        |
|     |           |      |        |
|     |           |      |        |



Isometric View

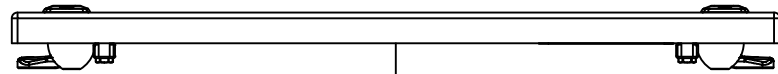


|            |                        |     |   |
|------------|------------------------|-----|---|
| 1          | 885 ESMF4              | 0   | 885 ESMF4 Mounting Foot Kit                           |
| 1          | STK-K-70554            | 3   | 5412 ESTH Accessory Kit                               |
| 1          | 5412ESSQT2020086TH-RS  | 0   | 5412ESSQT 20" x 20" Right Insulation                  |
| 1          | 5412ESSQT2020086TH-LS  | 0   | 5412ESSQT 20" x 20" Left Insulation                   |
| 1          | 5412ESSQT2020086TH-BT  | 0   | 5412ESSQT 20" x 20" Bottom Insulation                 |
| 1          | 5412ESSQT2020086TH-TP  | 0   | 5412ESSQT 20" x 20" Top Insulation                    |
| 1          | 5412ESSQT2020086TH-B   | 0   | 5412ESSQT 20" x 20" Back Insulation                   |
| 4          | STK-Q-16070            | 1   | Stud M6 x 18mm Stainless steel                        |
| 4          | RIVET_NUT_SS_M10_FH_CE | 0   | Stainless Steel Rivet Nut M10 (Low Profile Close End) |
| 4          | STK-Q-16020            | 1   | Stud M8 x 35mm Stainless Steel                        |
| 1          | 5412ESSQT2020086THB-P  | 0   | 5412ESSQT 20" x 20" x 8" Body Part                    |
| Qty        | Part Number            | Rev | Description   |
| Parts List |                        |     |   |

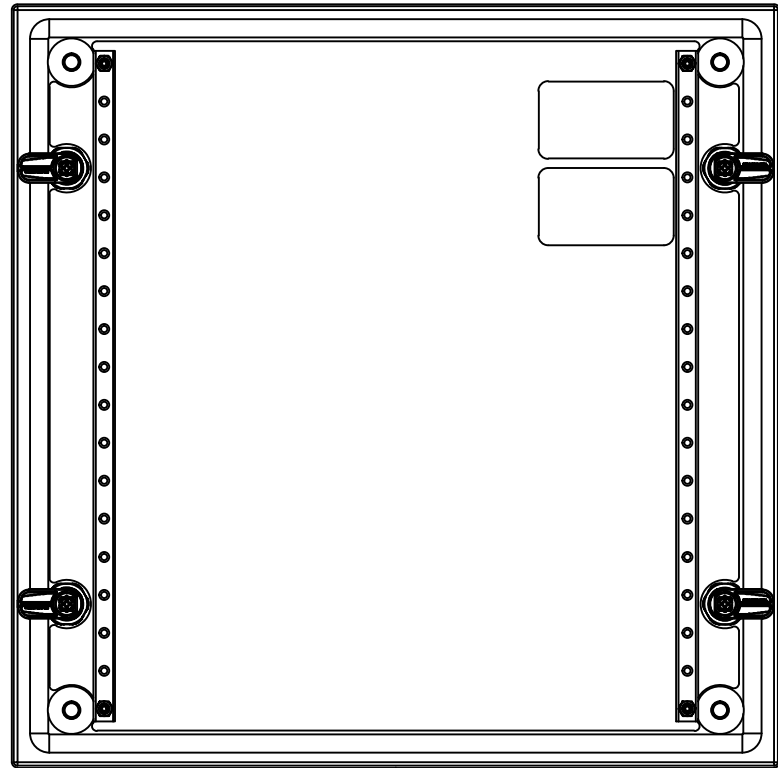
|  |   |
|--|---|
|  Tél: (450) 979-4373<br>Fax: (450) 979-4626<br><a href="http://www.exmweb.com">www.exmweb.com</a> | Flatness<br>Aplatissement<br>Max 3.0mm  |
|  | Projection<br> |
| Customer Client  | Date  |
| Drawn By<br>Dessiné Par BoxCad: BoxCad   | Date 11-Feb-26  |
| Material<br>Matière  | 16 Ga Stainless Steel 316 (1.4mm)   |
| Color<br>Couleur   | Unpainted   |
| Finish<br>Fini   | Brushed   |
| Description  | Detail Rev.   |
| 5412ESSQT 20" x 20" x 8" Body  |   |
| Part Number<br>Numéro Pièce  | Rev. 7  |
| <b>5412ESSQT2020086THB</b>   | <b>0</b>  |
|  | 16  |

This drawing is confidential and must not be reproduced or used without the consent of EXM

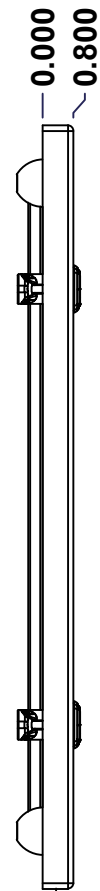
Ce dessin est confidentiel et ne doit pas être reproduit ou utilisé sans le consentement de EXM



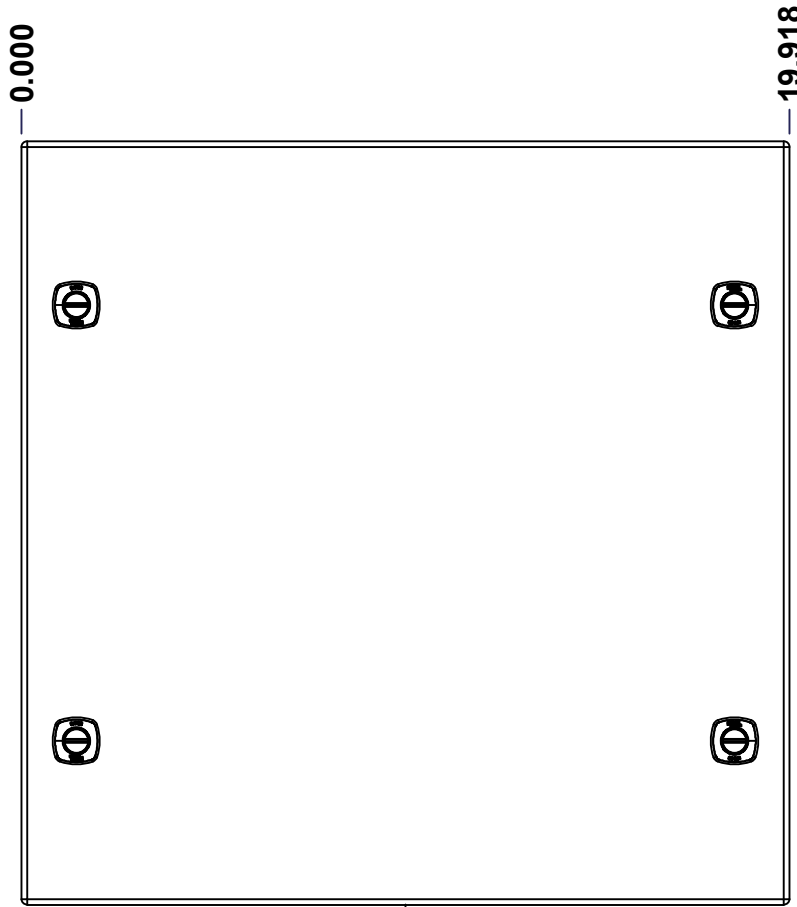
TOP



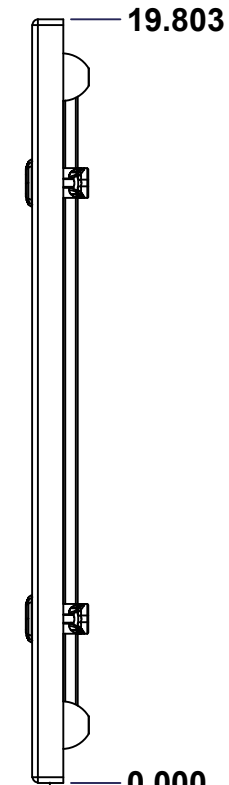
BACK



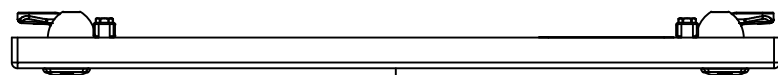
LEFT



FRONT

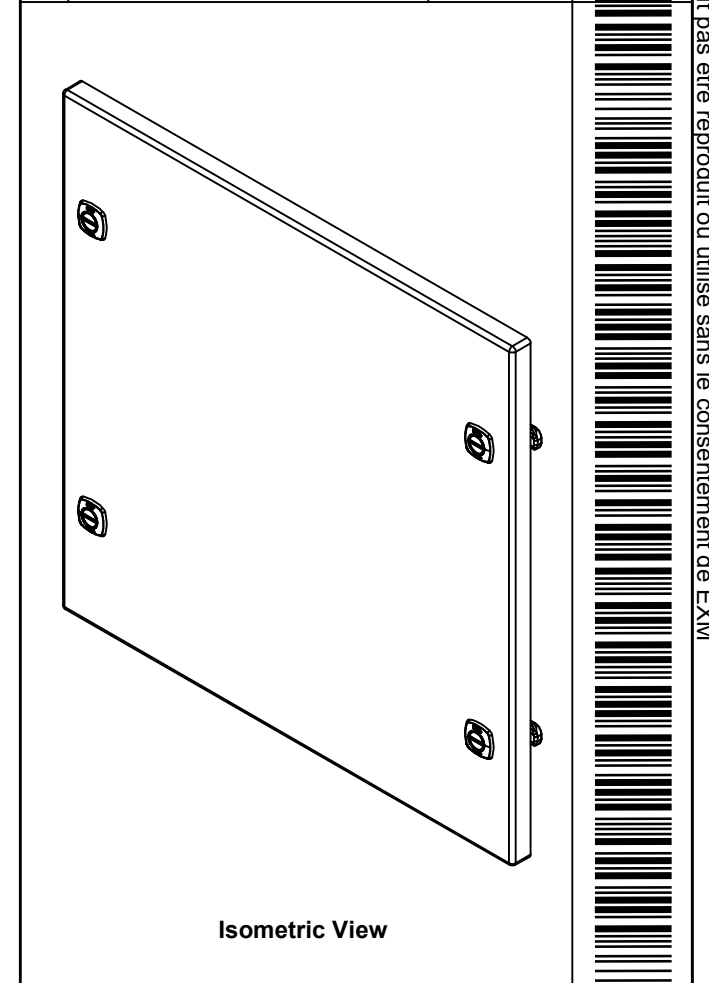


RIGHT



BOTTOM

| No. | Revisions | Date | By/Par |
|-----|-----------|------|--------|
|     |           |      |        |
|     |           |      |        |
|     |           |      |        |
|     |           |      |        |



Isometric View

|  |                                   |  |
|--|-----------------------------------|--|
| Tél: (450) 979-4373<br>Fax: (450) 979-4626<br><a href="http://www.exmweb.com">www.exmweb.com</a> |                                   | Flatness<br>Aplatissement<br>Max 3.0mm<br>Projection<br> |
| Customer Client  | Date                              |  |
| Drawn By<br>Dessiné Par  | BoxCad: BoxCad                    | Date 11-Feb-26   |
| Material<br>Matière  | 16 Ga Stainless Steel 316 (1.4mm) |  |
| Color<br>Couleur   | Unpainted                         | Finish<br>Fini<br>Brushed                                |
| Description  | Detail Rev.                       |  |
| 5412ESSQT 20" x 20" Cover  |                                   |  |
| Part Number<br>Numéro Pièce  | Rev. 0                            | 8 / 16   |

SEE BILL OF MATERIAL ON LAST PAGE

**5412ESSQT2020086THC**

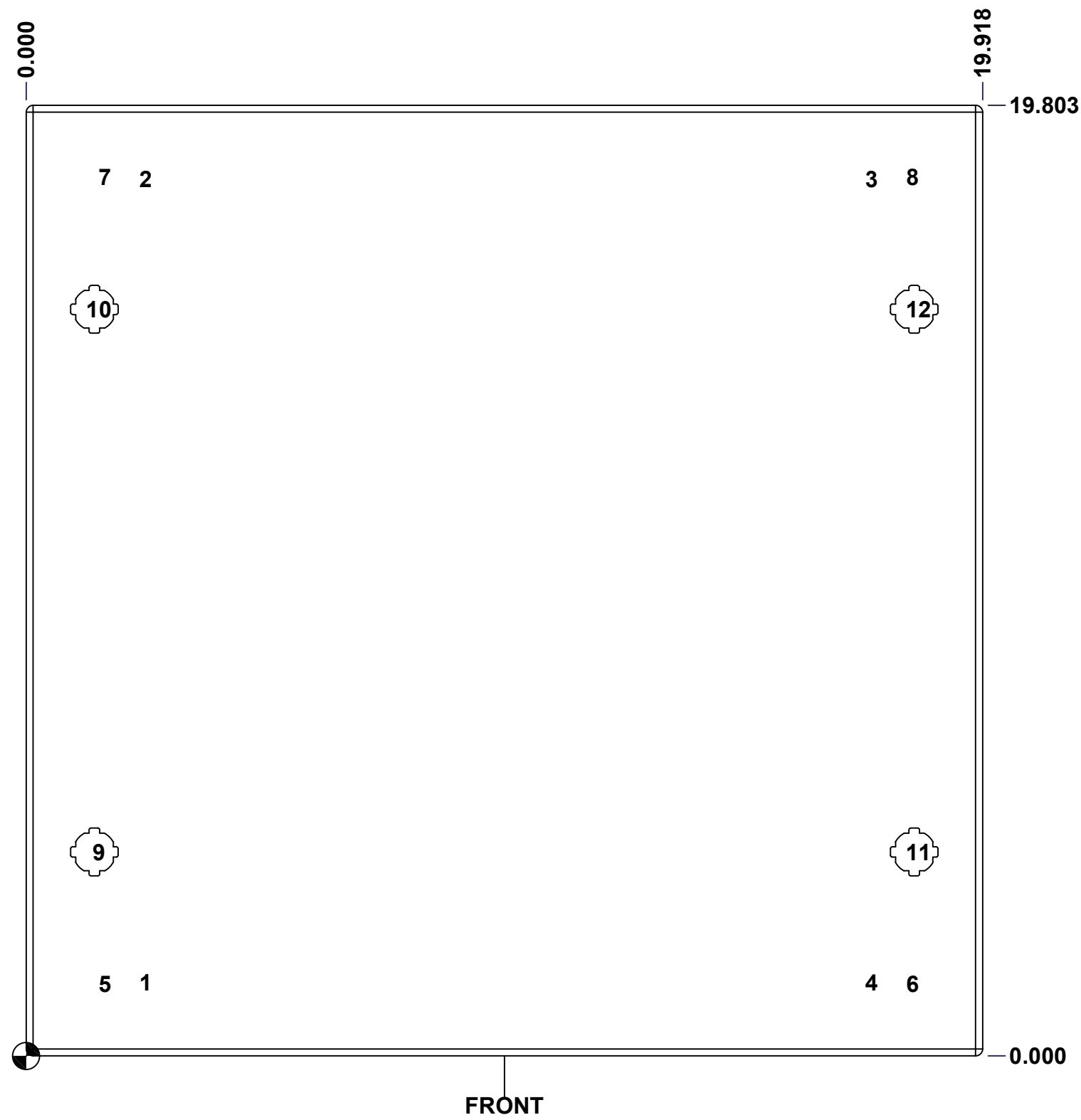
This drawing is confidential and must not be reproduced or used without the consent of EXM

Ce dessin est confidentiel et ne doit pas être reproduit ou utilisé sans le consentement de EXM

**STANDARD FEATURES ARE NOT LISTED IN THIS HOLE TABLE**

**HOLE TABLE - FRONT VIEW (CUSTOM FEATURE ONLY)**

| CUT-OUT | XDIM   | YDIM   | DESCRIPTION                  |
|---------|--------|--------|------------------------------|
| 1       | 2.401  | 1.535  | STUD M6 x 18mm (Inside)      |
| 2       | 2.401  | 18.268 | STUD M6 x 18mm (Inside)      |
| 3       | 17.517 | 18.268 | STUD M6 x 18mm (Inside)      |
| 4       | 17.517 | 1.535  | STUD M6 x 18mm (Inside)      |
| 5       | 1.550  | 1.500  | STUD M6 x 18mm (Inside)      |
| 6       | 18.368 | 1.500  | STUD M6 x 18mm (Inside)      |
| 7       | 1.550  | 18.303 | STUD M6 x 18mm (Inside)      |
| 8       | 18.368 | 18.303 | STUD M6 x 18mm (Inside)      |
| -----   |        |        |                              |
| 9       | 1.424  | 4.250  | LOCK 880 SCQ4-SLSS6 @ 180.0° |
| 10      | 1.424  | 15.553 | LOCK 880 SCQ4-SLSS6 @ 180.0° |
| 11      | 18.494 | 4.250  | LOCK 880 SCQ4-SLSS6 @ 0.0°   |
| 12      | 18.494 | 15.553 | LOCK 880 SCQ4-SLSS6 @ 0.0°   |

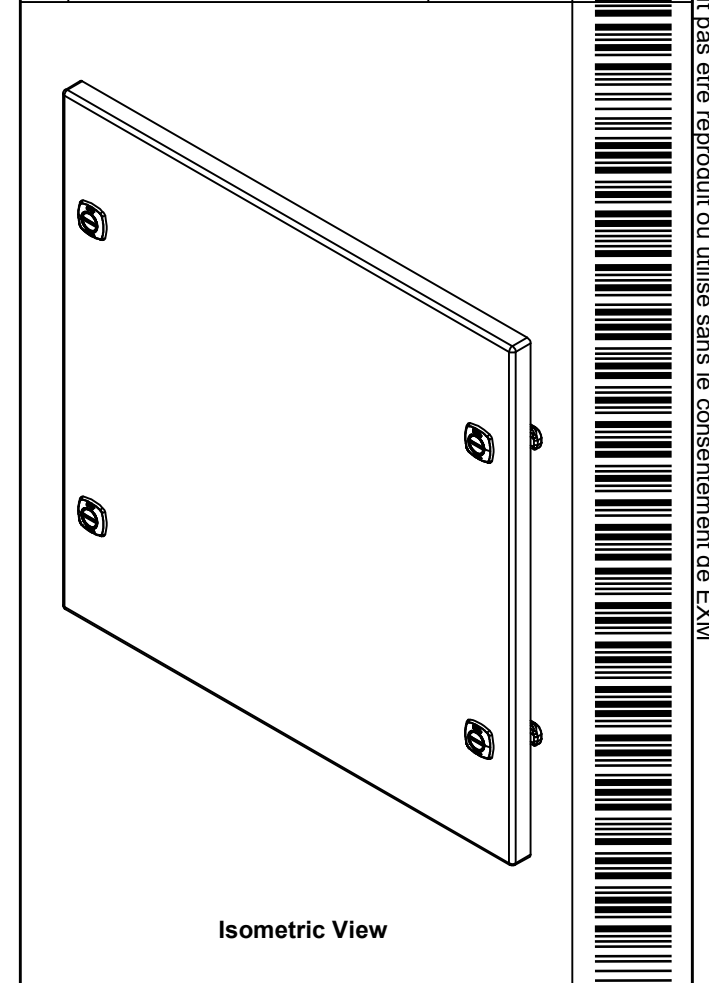


|  |                             |          |
|--|-----------------------------|----------|
|  | Description                 | Status   |
|  | 5412ESSQT 20" x 20" Cover   | (NULL)   |
|  | Part Number<br>Numéro Pièce | Rev.     |
|  | <b>5412ESSQT2020086THC</b>  | <b>0</b> |
|  |                             | 9        |
|  |                             | 16       |

This drawing is confidential and must not be reproduced or used without the consent of EXM

Ce dessin est confidentiel et ne doit pas être reproduit ou utilisé sans le consentement de EXM

| No. | Revisions | Date | By/Par |
|-----|-----------|------|--------|
|     |           |      |        |
|     |           |      |        |
|     |           |      |        |
|     |           |      |        |
|     |           |      |        |




 Tél: (450) 979-4373  
 Fax: (450) 979-4626  
[www.exmweb.com](http://www.exmweb.com)

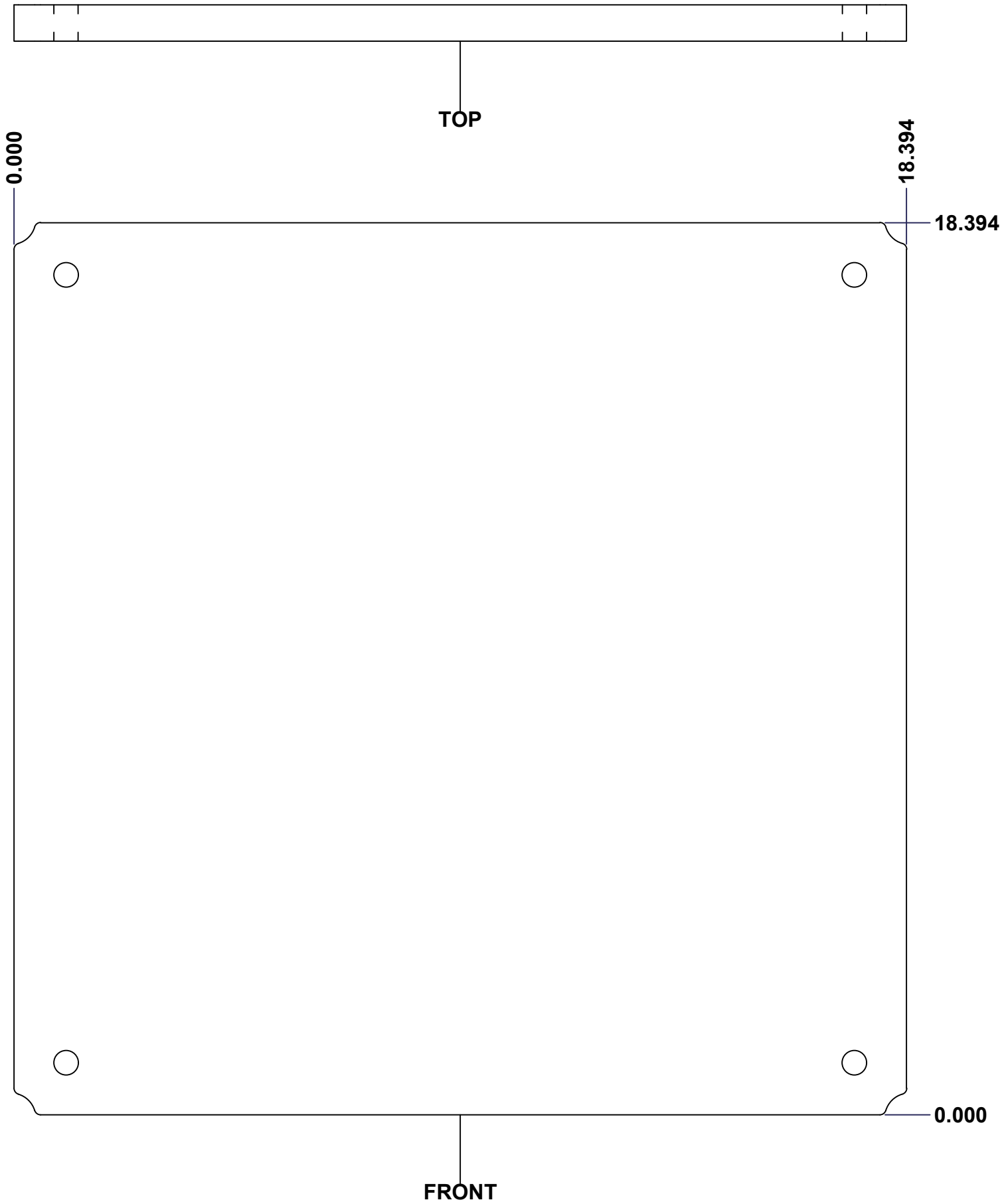
Flatness / Aplatissement: Max 3.0mm  
 Projection: 

| QTY        | Part Number           | Rev | Description                            |
|------------|-----------------------|-----|--|
| 4          | STK-Q-07250           | 2   | M6 x 16mm Collar Nut                   |
| 2          | STK-Q-46020-20        | 5   | 5412 ES Vertical Door Stiffener 20"    |
| 2          | STK-S-00100           | 0   | 3.5" x 2" Silver Milar Flexcon Sticker |
| 1          | 5412ESSQT2020086THI-C | 0   | 5412ESSQT 20" x 20" Cover Insulation   |
| 4          | STK-K-12590           | 7   | 5412 ESS 1/4 Turn Lock                 |
| 8          | STK-Q-16070           | 1   | Stud M6 x 18mm Stainless steel         |
| 1          | 5412ESSQT2020086THG   | 0   | 5412ESSQT 20" x 20" Cover Gasket Part  |
| 1          | 5412ESSQT2020086THC-P | 0   | 5412ESSQT 20" x 20" Cover Part         |
| 4          | STK-Q-46515           | 3   | 5412 ES Door Support with Brass Insert |
| Parts List |                       |     |  |

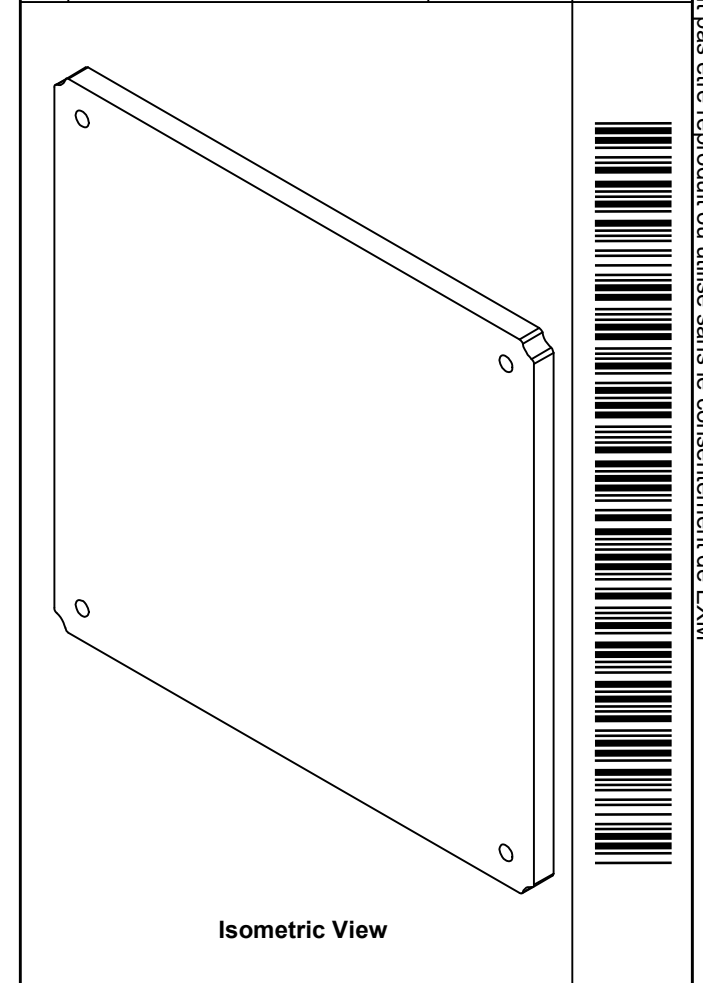
|  |                        |
|--|------------------------|
| Customer Client  | Date                   |
| Drawn By / Dessiné Par: BoxCad: BoxCad                 | Date: 11-Feb-26        |
| Material / Matière: 16 Ga Stainless Steel 316 (1.4mm)  |                        |
| Color / Couleur: Unpainted                             | Finish / Fini: Brushed |
| Description: 5412ESSQT 20" x 20" Cover                 | Detail Rev.            |
| Part Number / Numéro Pièce: <b>5412ESSQT2020086THC</b> | Rev. 0                 |
|  | 10 / 16                |

This drawing is confidential and must not be reproduced or used without the consent of EXM


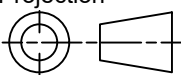
Ce dessin est confidentiel et ne doit pas être reproduit ou utilisé sans le consentement de EXM



| No. | Revisions | Date | By/Par |
|-----|-----------|------|--------|
|     |           |      |        |
|     |           |      |        |
|     |           |      |        |
|     |           |      |        |
|     |           |      |        |



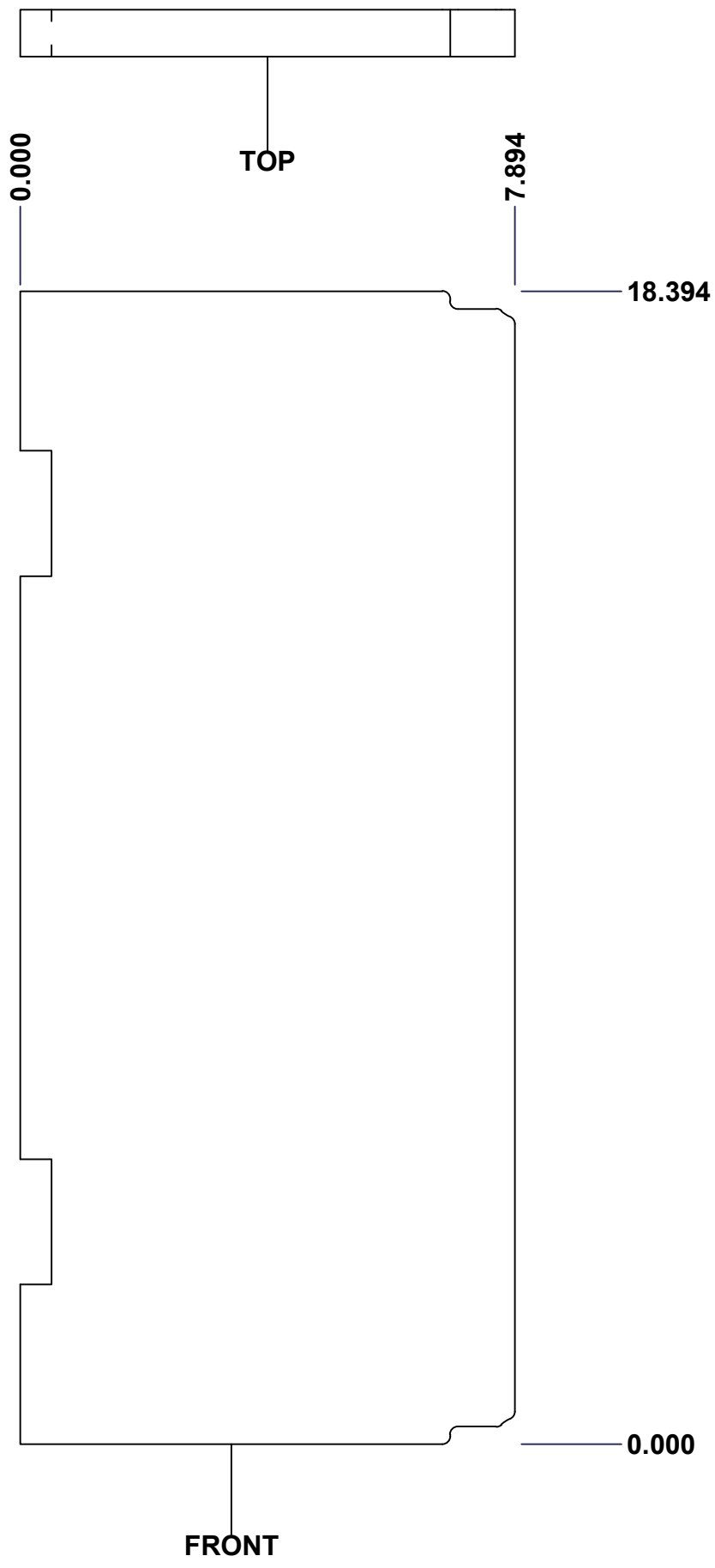
Isometric View

|  |                    |  |
|--|--------------------|--|
|  Tél: (450) 979-4373<br>Fax: (450) 979-4626<br><a href="http://www.exmweb.com">www.exmweb.com</a> |                    | Flatness<br>Aplatissement                          |
|  |                    | Max 3.0mm  |
| Projection    |                    | Customer Client<br>Date                            |
| Drawn By<br>Dessiné Par BoxCad: Patrick Deschenes  |                    | Date 23-Jan-07                                     |
| Material<br>Matière Polyisocyanurate   |                    |  |
| Color<br>Couleur Aluminum  | Finish<br>Fini N/A | Description<br>5412ESSQT 20" x 20" Back Insulation |
| Part Number<br>Numéro Pièce <b>5412ESSQT2020086THI-B</b>   |                    | Detail Rev.<br>Rev. 11<br>0                        |

SEE BILL OF MATERIAL ON LAST PAGE

This drawing is confidential and must not be reproduced or used without the consent of EXM

Ce dessin est confidentiel et ne doit pas être reproduit ou utilisé sans le consentement de EXM



| No. | Revisions | Date | By/Par |
|-----|-----------|------|--------|
|     |           |      |        |
|     |           |      |        |
|     |           |      |        |
|     |           |      |        |
|     |           |      |        |

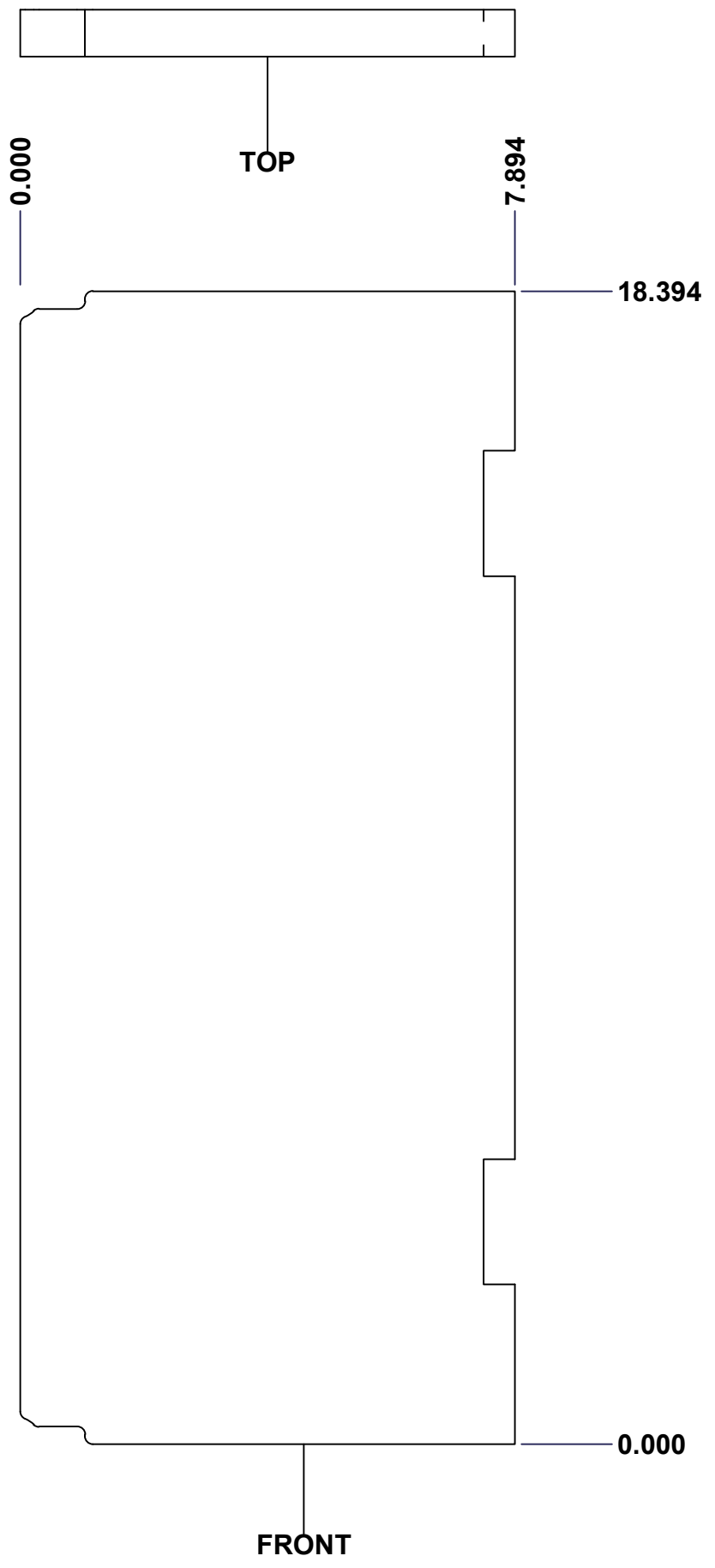
**Isometric View**

|   |                           |                           |
|---|---------------------------|---------------------------|
| <p>Tél: (450) 979-4373<br/>                 Fax: (450) 979-4626<br/> <a href="http://www.exmweb.com">www.exmweb.com</a></p> |                           | Flatness<br>Aplatissement |
|   |                           | Max 3.0mm                 |
| Projection<br>  |                           | Date                      |
| Customer<br>Client  | BoxCad: Patrick Deschenes | Date 23-Jan-07            |
| Material<br>Matière   | Polyisocyanurate          |                           |
| Color<br>Couleur  | Aluminum                  | Finish<br>Fini N/A        |
| Description   |                           | Detail Rev.               |
| 5412ESSQT 20" x 20" Left Insulation   |                           |                           |
| Part Number<br>Numéro Pièce   | Rev. 0                    | 12 / 16                   |

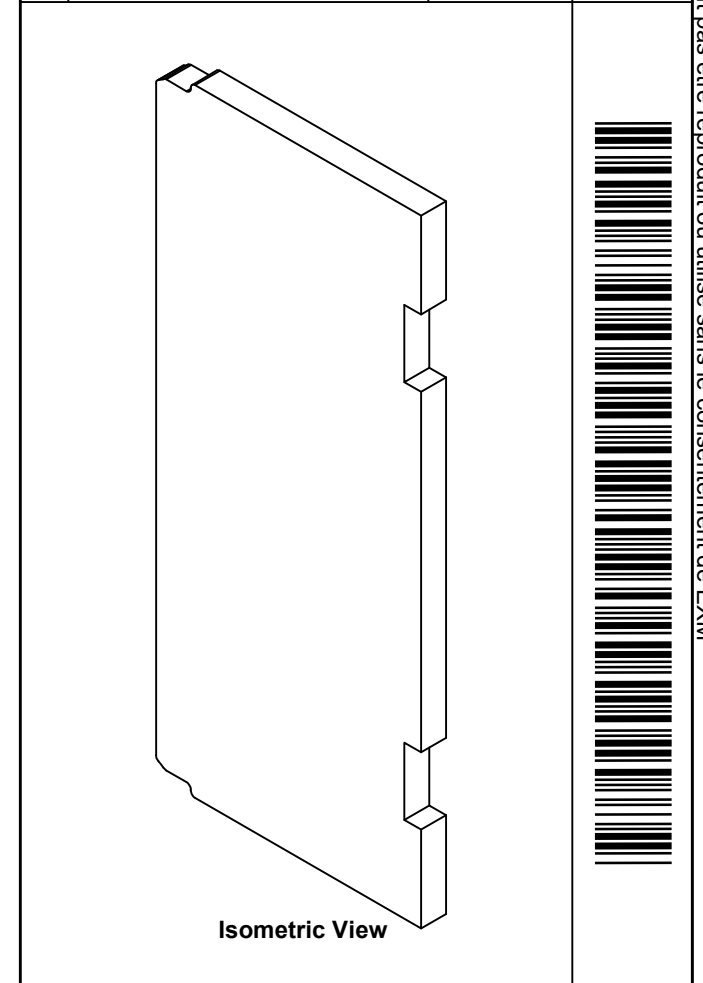
**SEE BILL OF MATERIAL ON LAST PAGE 5412ESSQT2020086THI-LS**


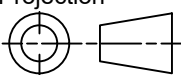
This drawing is confidential and must not be reproduced or used without the consent of EXM

Ce dessin est confidentiel et ne doit pas être reproduit ou utilisé sans le consentement de EXM



| No. | Revisions | Date | By/Par |
|-----|-----------|------|--------|
|     |           |      |        |
|     |           |      |        |
|     |           |      |        |
|     |           |      |        |
|     |           |      |        |



|  |                           |   |
|--|---------------------------|---|
|  Tél: (450) 979-4373<br>Fax: (450) 979-4626<br><a href="http://www.exmweb.com">www.exmweb.com</a> |                           | Flatness<br>Aplatissement<br>Max 3.0mm<br>Projection<br> |
| Customer Client  | Date                      |   |
| Drawn By<br>Dessiné Par  | BoxCad: Patrick Deschenes | Date 23-Jan-07  |
| Material<br>Matière  | Polyisocyanurate          |   |
| Color<br>Couleur   | Aluminum                  | Finish<br>Fini N/A  |
| Description<br>5412ESSQT 20" x 20" Right Insulation  |                           | Detail Rev.   |
| Part Number<br>Numéro Pièce  | Rev. 0                    | 13 / 16   |

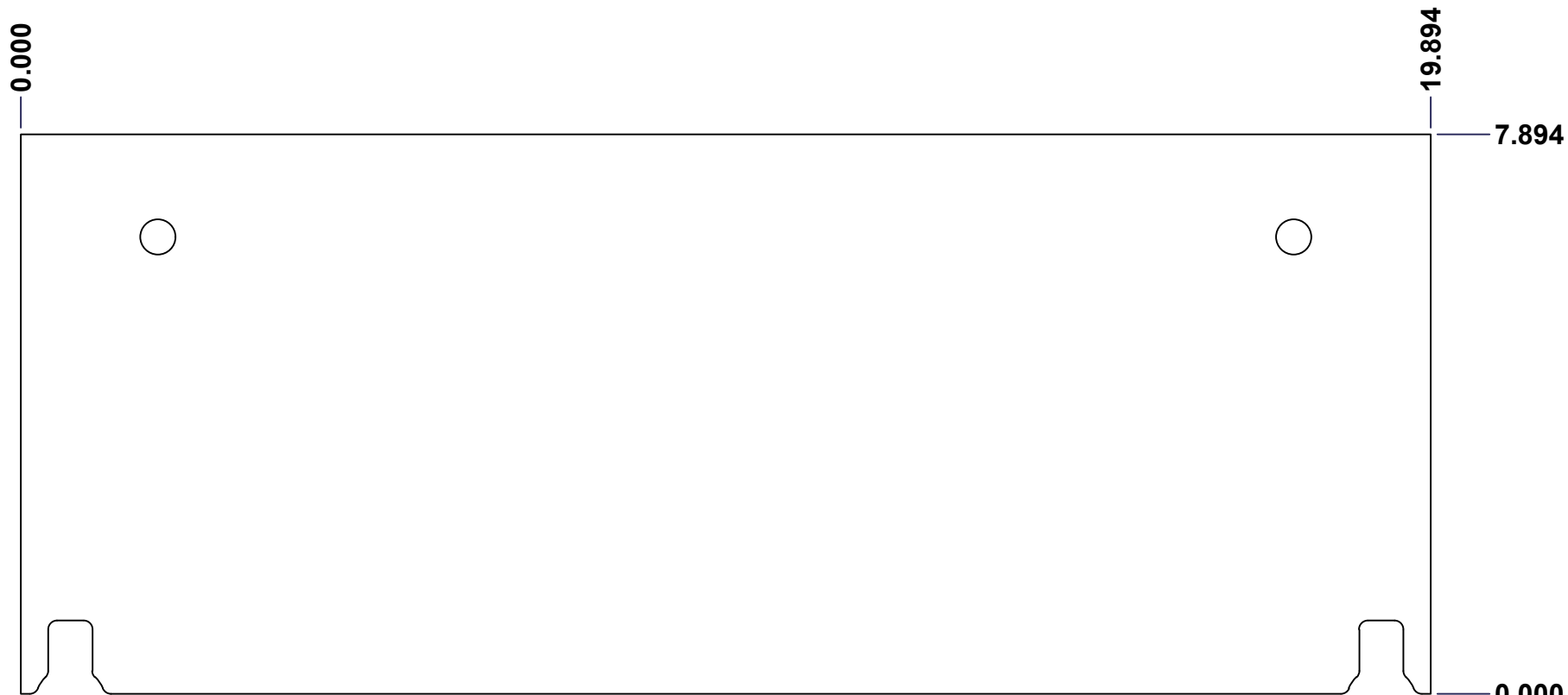
SEE BILL OF MATERIAL ON LAST PAGE 5412ESSQT2020086THI-RS

This drawing is confidential and must not be reproduced or used without the consent of EXM

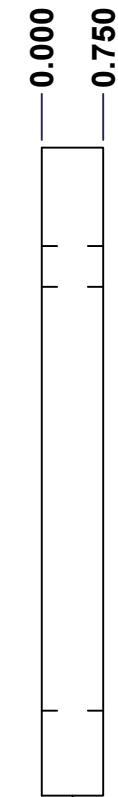
Ce dessin est confidentiel et ne doit pas être reproduit ou utilisé sans le consentement de EXM



TOP

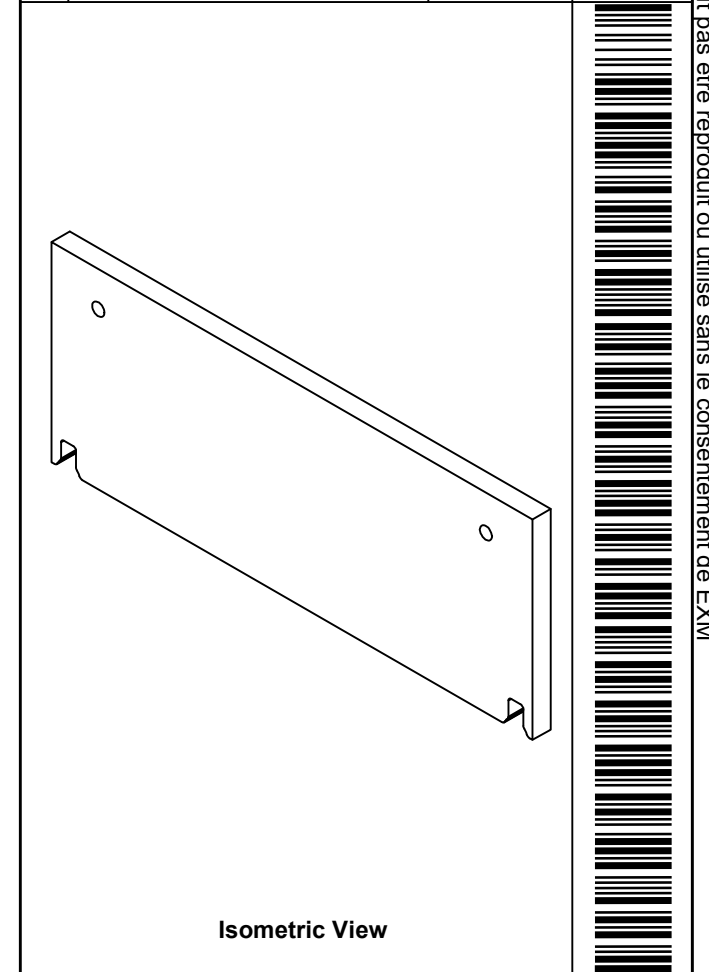


FRONT


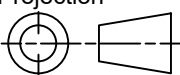


RIGHT

| No. | Revisions | Date | By/Par |
|-----|-----------|------|--------|
|     |           |      |        |
|     |           |      |        |
|     |           |      |        |
|     |           |      |        |



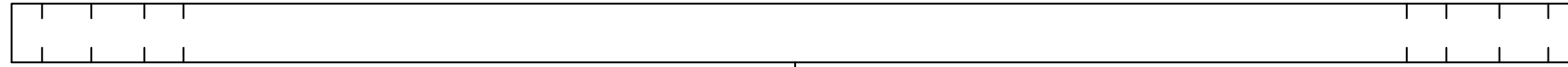
Isometric View

|  |                  |   |
|--|------------------|---|
|  Tél: (450) 979-4373<br>Fax: (450) 979-4626<br><a href="http://www.exmweb.com">www.exmweb.com</a> |                  | Flatness<br>Aplatissement<br>Max 5.0mm<br>Projection<br> |
| Customer Client  | Date             |   |
| Drawn By<br>Dessiné Par  | BoxCad: BoxCad   | Date 4/3/2024   |
| Material<br>Matière  | Polyisocyanurate |   |
| Color<br>Couleur   | Aluminum         | Finish<br>Fini Brushed  |
| Description  | Detail Rev.      |   |
| 5412ESSQT 20" x 20"Top Insulation  |                  |   |
| Part Number<br>Numéro Pièce  | Rev. 0           | 14<br>16  |

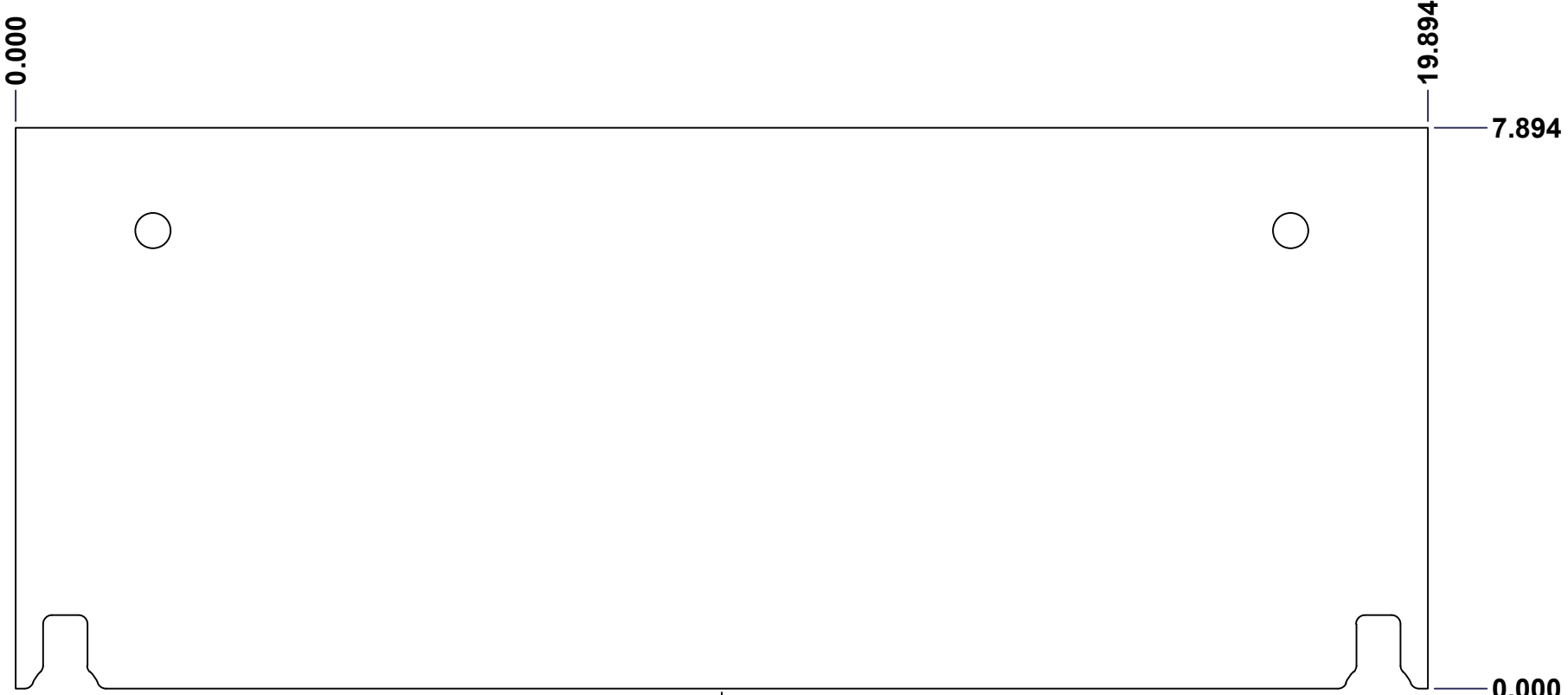
SEE BILL OF MATERIAL ON LAST PAGE 5412ESSQT2020086THI-TP

This drawing is confidential and must not be reproduced or used without the consent of EXM

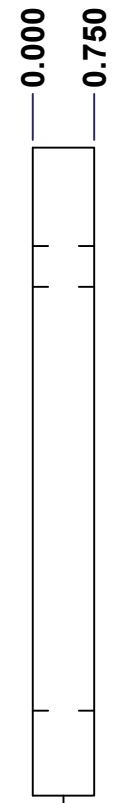
Ce dessin est confidentiel et ne doit pas être reproduit ou utilisé sans le consentement de EXM



TOP

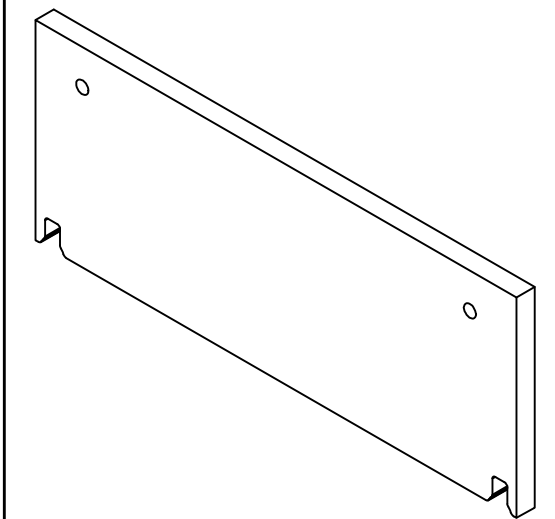


FRONT



RIGHT

| No. | Revisions | Date | By/Par |
|-----|-----------|------|--------|
|     |           |      |        |
|     |           |      |        |
|     |           |      |        |
|     |           |      |        |



Isometric View



Tél: (450) 979-4373  
 Fax: (450) 979-4626  
[www.exmweb.com](http://www.exmweb.com)

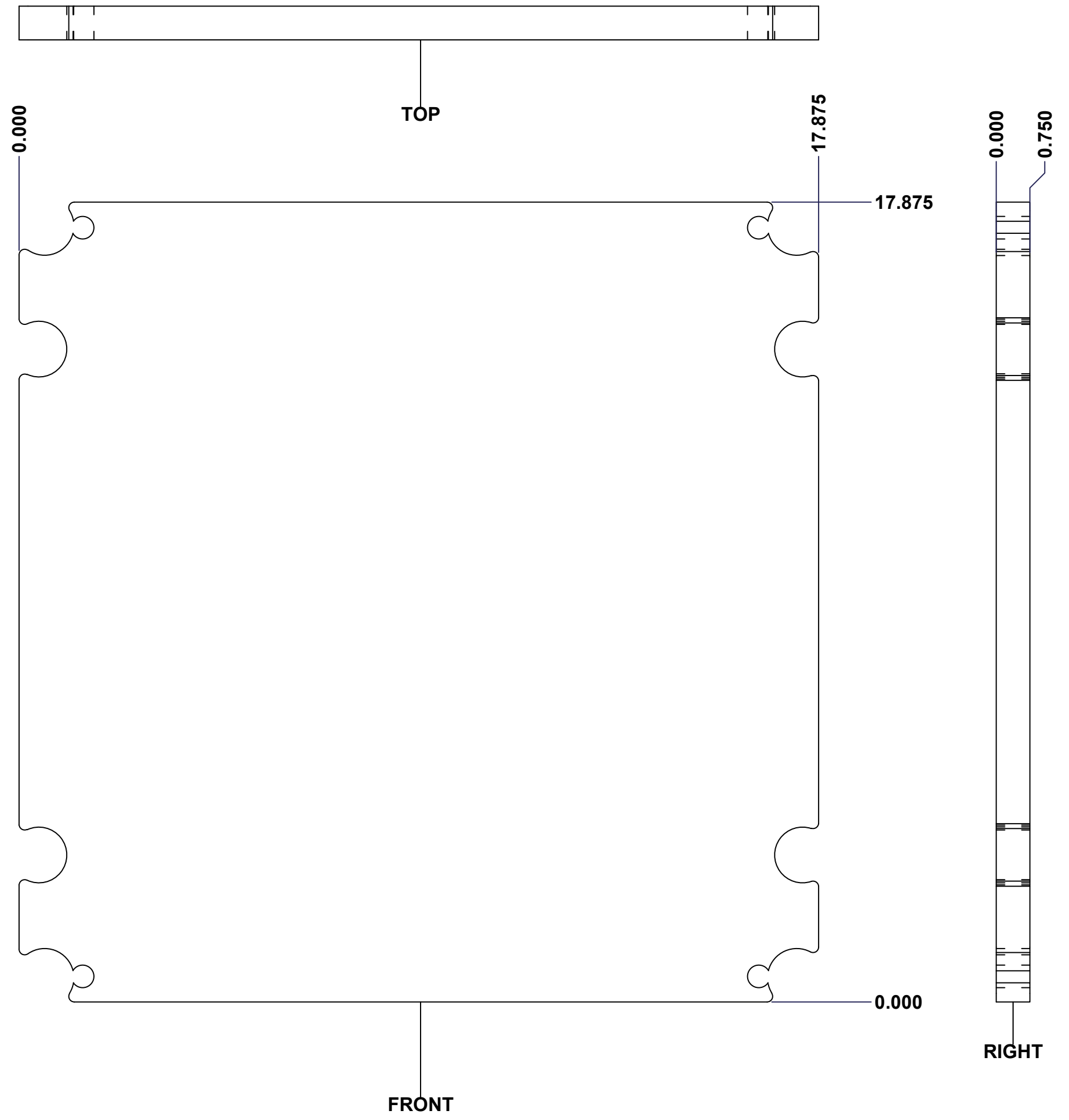
Flatness  
Aplatissement  
Max 5.0mm  
Projection

|   |                        |
|---|------------------------|
| Customer Client                                     | Date                   |
| Drawn By<br>Dessiné Par BoxCad: BoxCad              | Date 4/3/2024          |
| Material<br>Matière Polyisocyanurate                |                        |
| Color<br>Couleur Aluminum                           | Finish<br>Fini Brushed |
| Description<br>5412ESSQT 20" x 20"Bottom Insulation | Detail Rev.            |
| Part Number<br>Numéro Pièce 5412ESSQT2020086THI-BT  | Rev. 15<br>0           |

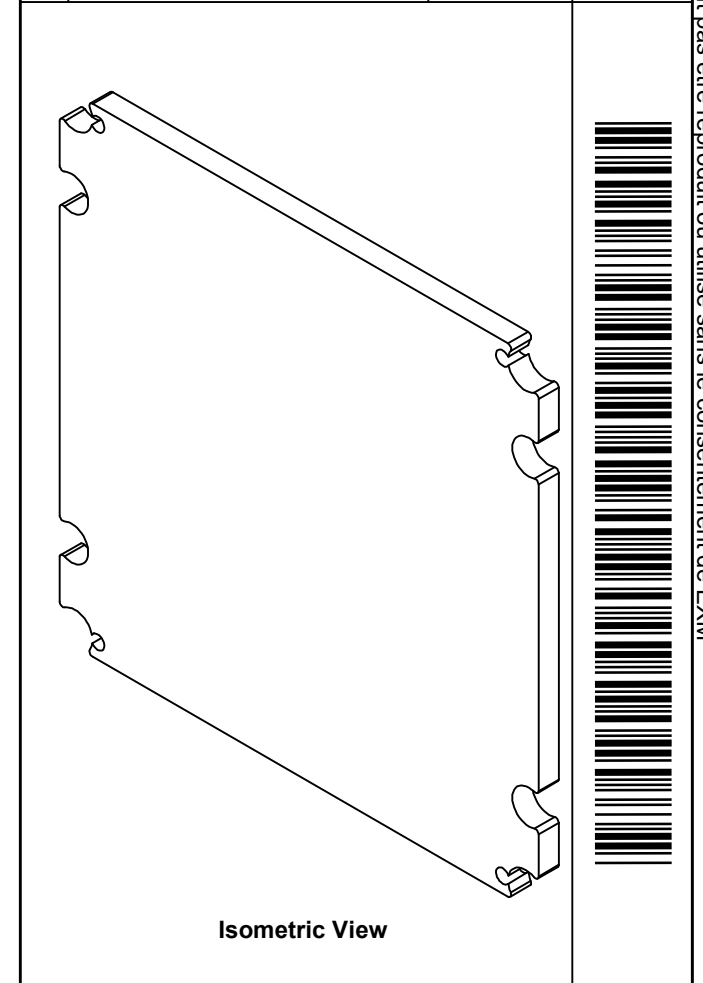
SEE BILL OF MATERIAL ON LAST PAGE


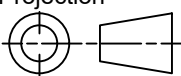
This drawing is confidential and must not be reproduced or used without the consent of EXM

Ce dessin est confidentiel et ne doit pas être reproduit ou utilisé sans le consentement de EXM



| No. | Revisions | Date | By/Par |
|-----|-----------|------|--------|
|     |           |      |        |
|     |           |      |        |
|     |           |      |        |
|     |           |      |        |
|     |           |      |        |



|  |                           |   |
|--|---------------------------|---|
|  Tél: (450) 979-4373<br>Fax: (450) 979-4626<br><a href="http://www.exmweb.com">www.exmweb.com</a> |                           | Flatness<br>Aplatissement<br>Max 3.0mm<br>Projection<br> |
| Customer Client  | Date                      |   |
| Drawn By<br>Dessiné Par  | BoxCad: Patrick Deschenes | Date 23-Jan-07  |
| Material<br>Matière  | Polyisocyanurate          |   |
| Color<br>Couleur   | Aluminum                  | Finish<br>Fini N/A  |
| Description  | Detail Rev.               |   |
| 5412ESSQT 20" x 20" Cover Insulation   |                           |   |
| Part Number<br>Numéro Pièce  | Rev.                      | 16  |
| 5412ESSQT2020086THI-C  | 0                         | 16  |

SEE BILL OF MATERIAL ON LAST PAGE

This drawing is confidential and must not be reproduced or used without the consent of EXM

Ce dessin est confidentiel et ne doit pas être reproduit ou utilisé sans le consentement de EXM



TOP



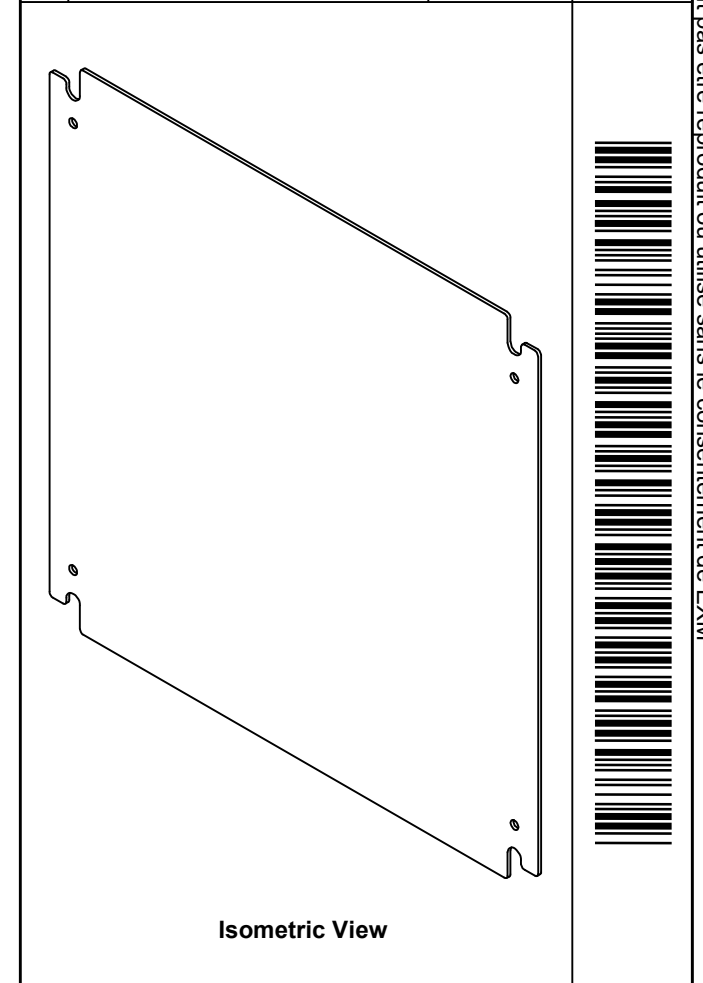
FRONT

18.000

0.000

RIGHT

| No. | Revisions | Date | By/Par |
|-----|-----------|------|--------|
|     |           |      |        |
|     |           |      |        |
|     |           |      |        |
|     |           |      |        |
|     |           |      |        |



Isometric View

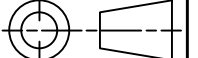


Tél: (450) 979-4373  
 Fax: (450) 979-4626  
 www.exmweb.com

Flatness  
Aplatissement

Max 3.0mm

Projection



Customer Client \_\_\_\_\_ Date \_\_\_\_\_

Drawn By Dessiné Par BoxCad \_\_\_\_\_ Date 23-Jan-07

Material Matière See Part List

Color Couleur See Part List Finish Fini See Part List

Description 881 SP - Inner Panel Detail Rev. \_\_\_\_\_

Part Number Numéro Pièce **881 SP2020G** Rev. **0**

| Qty | Part Number   | Rev | Description               | Material         | Color     | Finish     |
|-----|---------------|-----|---------------------------|------------------|-----------|------------|
| 1   | 881 SP2020G-P | 0   | 881 SP - Inner Panel Part | 12 Ga Galvanized | Unpainted | Galvanized |

Parts List

1  
2

This drawing is confidential and must not be reproduced or used without the consent of EXM

Ce dessin est confidentiel et ne doit pas être reproduit ou utilisé sans le consentement de EXM

| Table 1 |        |        | FRONT VIEW               |
|---------|--------|--------|--------------------------|
| CUT-OUT | XDIM   | YDIM   | DESCRIPTION              |
| 1       | 0.875  | 1.875  | GROUND HOLE (RND Ø0.290) |
| 2       | 17.125 | 1.875  | GROUND HOLE (RND Ø0.290) |
| 3       | 0.875  | 16.125 | GROUND HOLE (RND Ø0.290) |
| 4       | 17.125 | 16.125 | GROUND HOLE (RND Ø0.290) |

All knockouts are actual size / Les disques défonçables sont grandeur réel


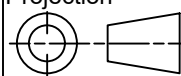
| No. | Revisions | Date | By/Par |
|-----|-----------|------|--------|
|     |           |      |        |
|     |           |      |        |
|     |           |      |        |
|     |           |      |        |
|     |           |      |        |
|     |           |      |        |



FRONT



Isometric View

|  |                              |   |
|--|------------------------------|---|
|  Tél: (450) 979-4373<br>Fax: (450) 979-4626<br>www.exmweb.com |                              | Flatness<br>Aplatissement<br>Max 3.0mm  |
| Customer<br>Client   |                              | Projection<br> |
| Drawn By<br>Dessiné Par BoxCad   |                              | Date 23-Jan-07  |
| Material<br>Matière See Part List  |                              |   |
| Color<br>Couleur See Part List   | Finish<br>Fini See Part List |   |
| Description<br>881 SP - Inner Panel  |                              | Detail Rev.   |
| Part Number<br>Numéro Pièce<br><b>881 SP2020G</b>  |                              | Rev. 2<br><b>0</b>  |