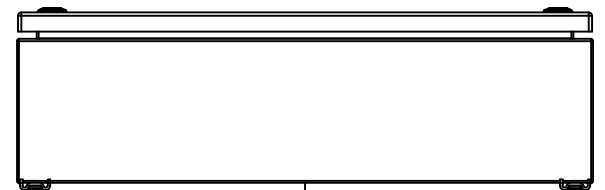
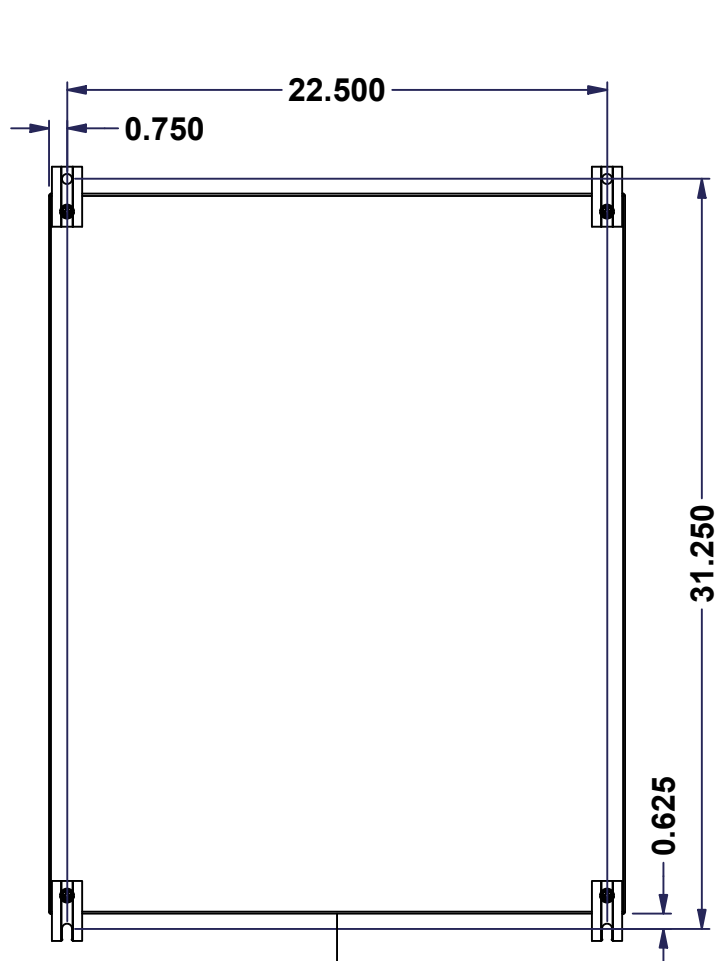


This drawing is confidential and must not be reproduced or used without the consent of EXM

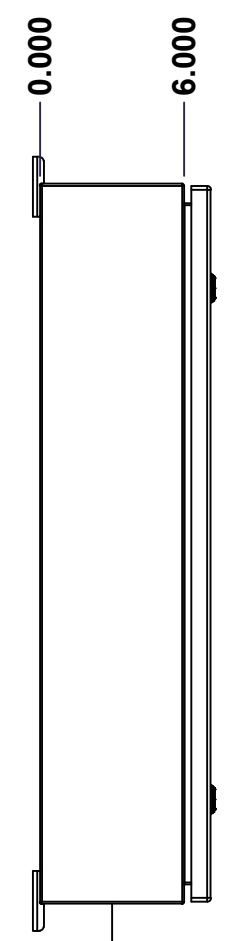
Ce dessin est confidentiel et ne doit pas être reproduit ou utilisé sans le consentement de EXM



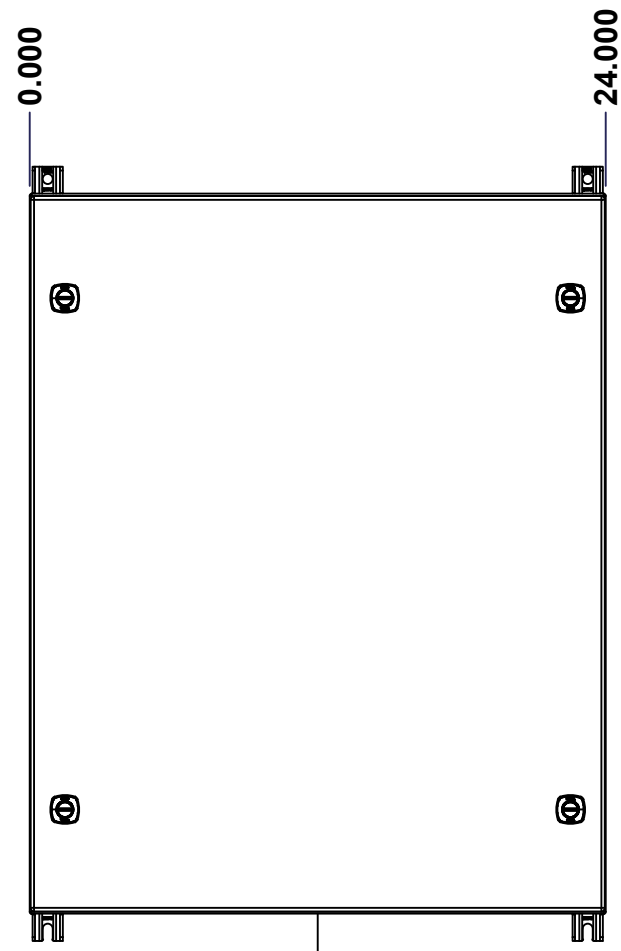
TOP



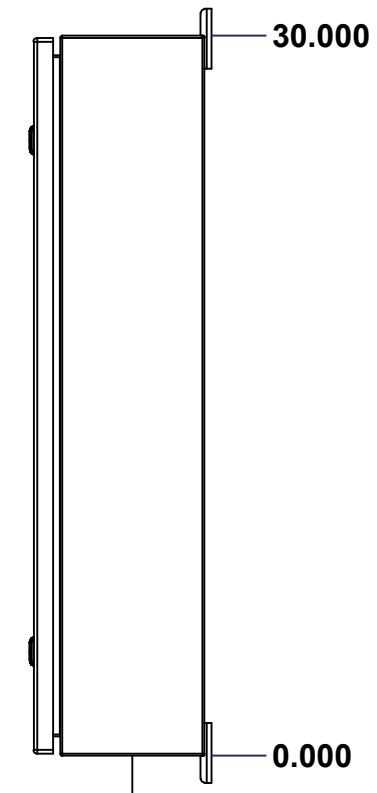
BACK



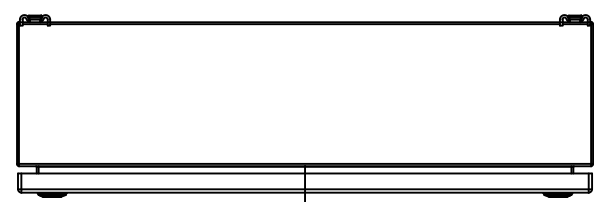
LEFT



FRONT

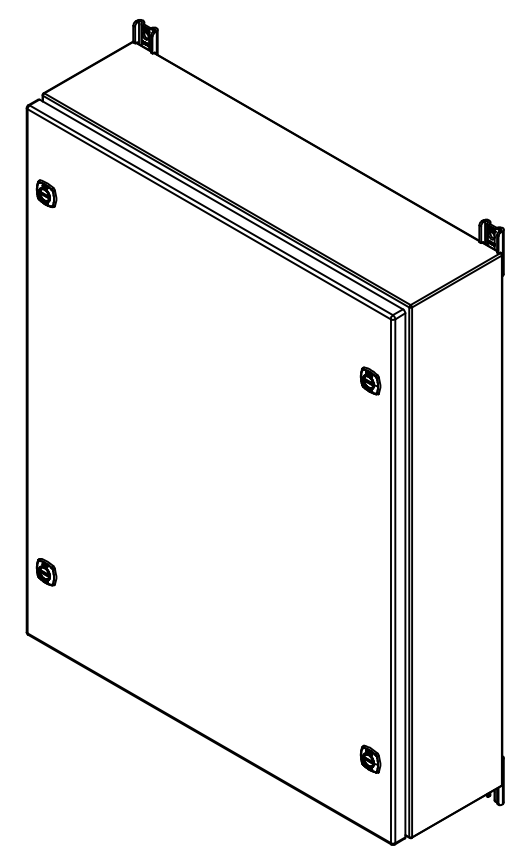


RIGHT

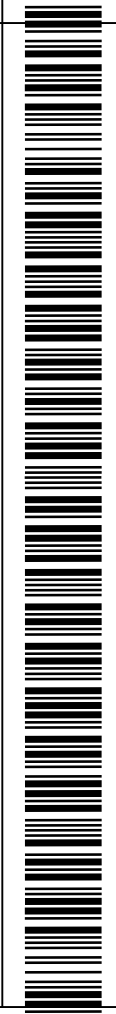


BOTTOM

| No. | Revisions | Date | By/Par |
|-----|-----------|------|--------|
|     |           |      |        |
|     |           |      |        |
|     |           |      |        |
|     |           |      |        |



Isometric View



**GRAIN DIRECTION:  
TOP/BOTTOM: HORIZONTAL  
LEFT/RIGHT/BACK/FRONT: VERTICAL**

|   |  |
|---|--|
|   | Flatness<br>Aplatissement<br>Max 3.0mm |
|   | Projection<br>                         |
| Customer Client                                       | Date                                   |
| Drawn By<br>Dessiné Par BoxCad: BoxCad                | Date 13-Feb-26                         |
| Material<br>Matière 16 Ga Stainless Steel 316 (1.4mm) |  |
| Color<br>Couleur Unpainted                            | Finish<br>Fini Brushed                 |
| Description<br>5412ESSQT 30" x 24" x 6" Assembly      |  |
| Part Number<br>Numéro Pièce 5412ESSQT3024066TH        | Detail Rev.<br>Rev. 1<br>0             |

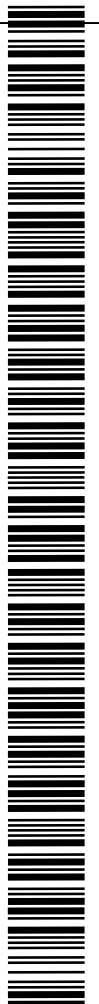
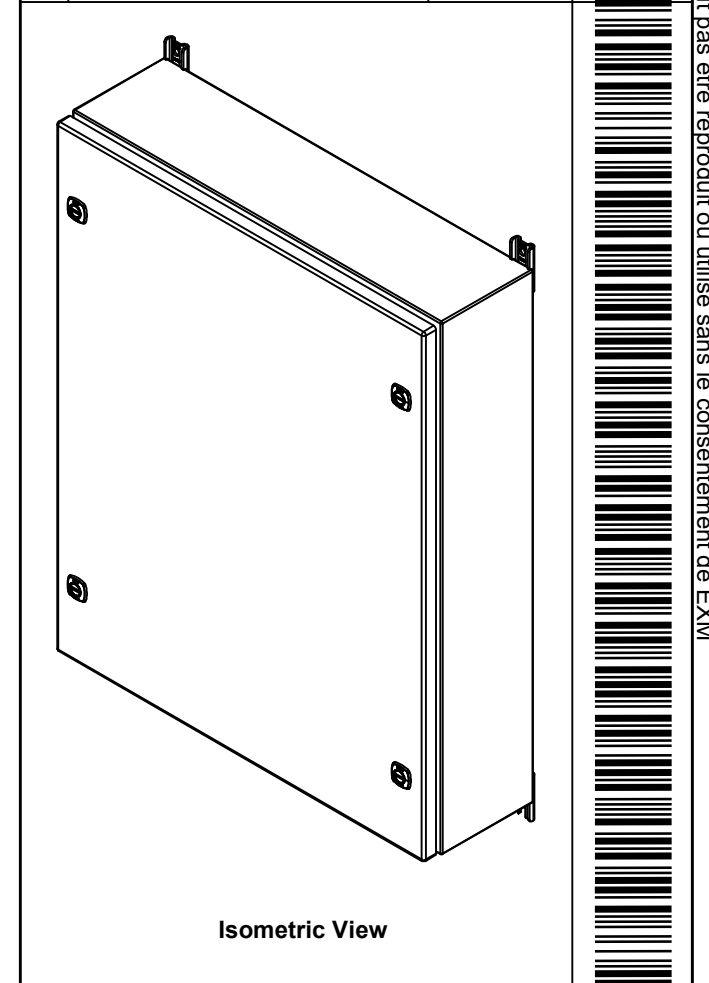
SEE BILL OF MATERIAL ON LAST PAGE

This drawing is confidential and must not be reproduced or used without the consent of EXM

Ce dessin est confidentiel et ne doit pas être reproduit ou utilisé sans le consentement de EXM

| NOTE |   |
|------|---|
| ITEM | DESCRIPTION                                     |
| 1    | NEMA 4X Enclosure (IP66)                        |
| 2    | C/W Standard ground studs on box and cover      |
| 3    | C/W Standard door stiffener                     |
| 4    | C/W Standard inner panel (Included)             |
| 5    | C/W Standard inner panel mounting studs         |
| 6    | C/W 885 ESMF4_OPEN Sold separately (Installed)  |
| 7    | C/W 885 ESMF4_CLOSE Sold separately (Installed) |
| 8    | C/W R5 Insulation (Installed aluminum visible)  |

| No. | Revisions | Date | By/Par |
|-----|-----------|------|--------|
|     |           |      |        |
|     |           |      |        |
|     |           |      |        |
|     |           |      |        |
|     |           |      |        |
|     |           |      |        |
|     |           |      |        |



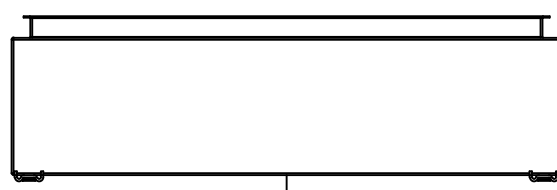
|  |                                   |  |
|--|-----------------------------------|--|
| Tél: (450) 979-4373<br>Fax: (450) 979-4626<br><a href="http://www.exmweb.com">www.exmweb.com</a> |                                   | Flatness<br>Aplatissement<br>Max 3.0mm<br>Projection<br> |
| Customer Client  | Date                              |  |
| Drawn By<br>Dessiné Par  | BoxCad: BoxCad                    | Date 13-Feb-26   |
| Material<br>Matière  | 16 Ga Stainless Steel 316 (1.4mm) |  |
| Color<br>Couleur   | Unpainted                         | Finish<br>Fini<br>Brushed                                |
| Description  | Detail Rev.                       |  |
| 5412ESSQT 30" x 24" x 6" Assembly  |                                   |  |
| Part Number<br>Numéro Pièce  | Rev.                              | 2  |
| <b>5412ESSQT3024066TH</b>  | <b>0</b>                          | 16   |

| PACKING               |     |  |
|-----------------------|-----|--|
| ITEM                  | QTY | DESCRIPTION                                |
| Cardboard sleeve      | 2   | Top and Bottom                             |
| Cardboard strip       | 2   | Between back of enclosure and inner panel  |
| Plastic bag           | 1   | To protect cover surface and inside gasket |
| Plastic strap - Black | 2   | To Squeeze the 2 cardboard sleeve together |
| Packaging label       | 1   | White label with product number            |

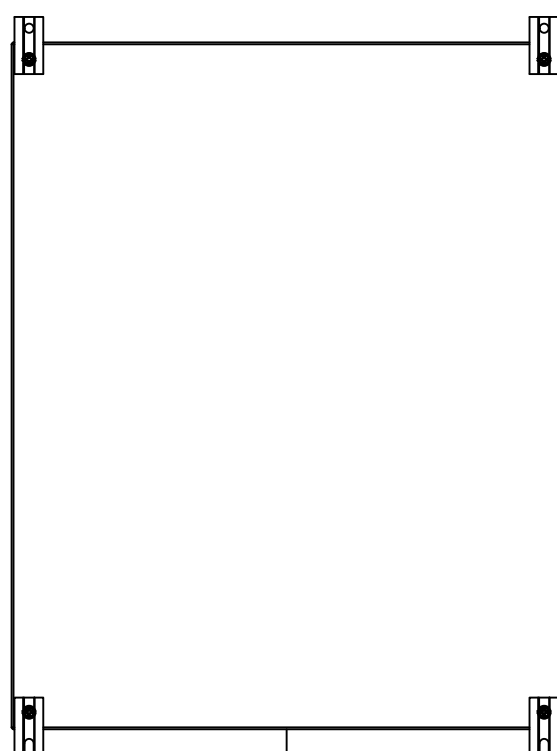
|            |                     |     |                               |
|------------|---------------------|-----|-------------------------------|
| 1          | STK-K-01800         | 5   | 5412 ES Accessory Kit         |
| 4          | STK-Q-00600         | 2   | M12 to M8 Adaptor             |
| 1          | 881 SP3024G         | 0   | 881 SP - Inner Panel          |
| 1          | 5412ESSQT3024066THC | 0   | 5412ESSQT 30" x 24" Cover     |
| 1          | 5412ESSQT3024066THB | 0   | 5412ESSQT 30" x 24" x 6" Body |
| Qty        | Part Number         | Rev | Description                   |
| Parts List |                     |     |                               |

This drawing is confidential and must not be reproduced or used without the consent of EXM

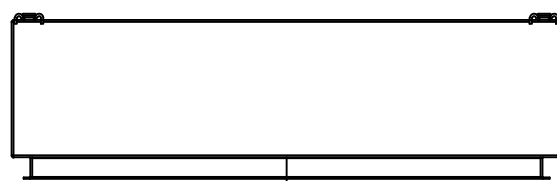
Ce dessin est confidentiel et ne doit pas être reproduit ou utilisé sans le consentement de EXM



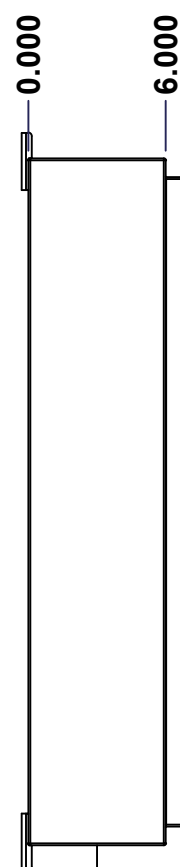
TOP



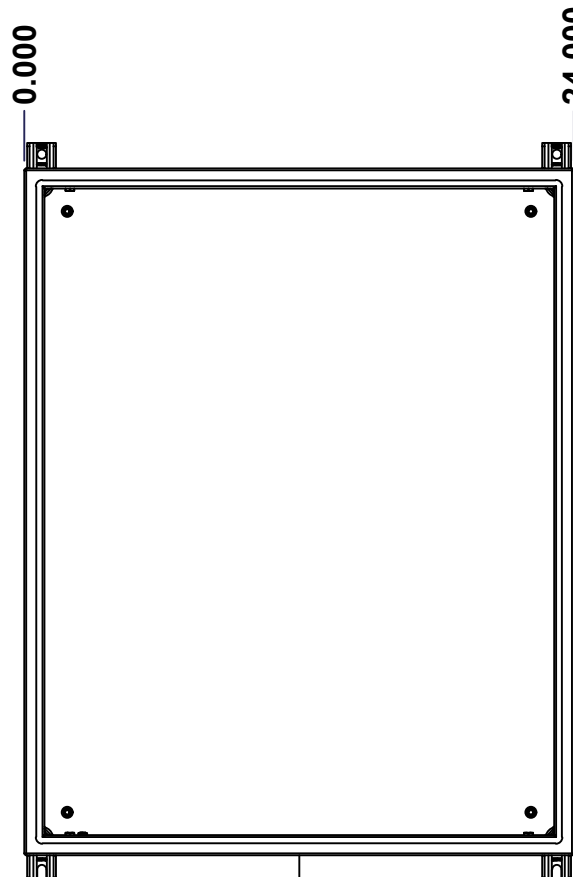
BACK



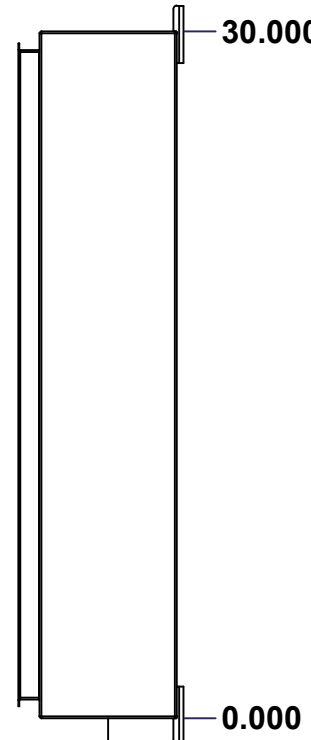
BOTTOM



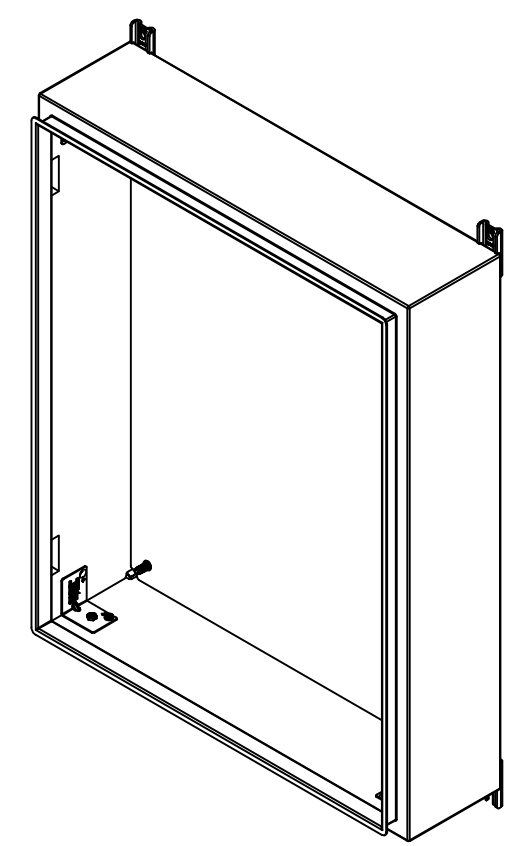
LEFT



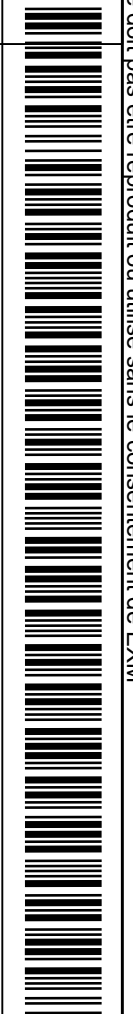
FRONT




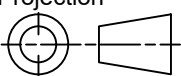
RIGHT



Isometric View



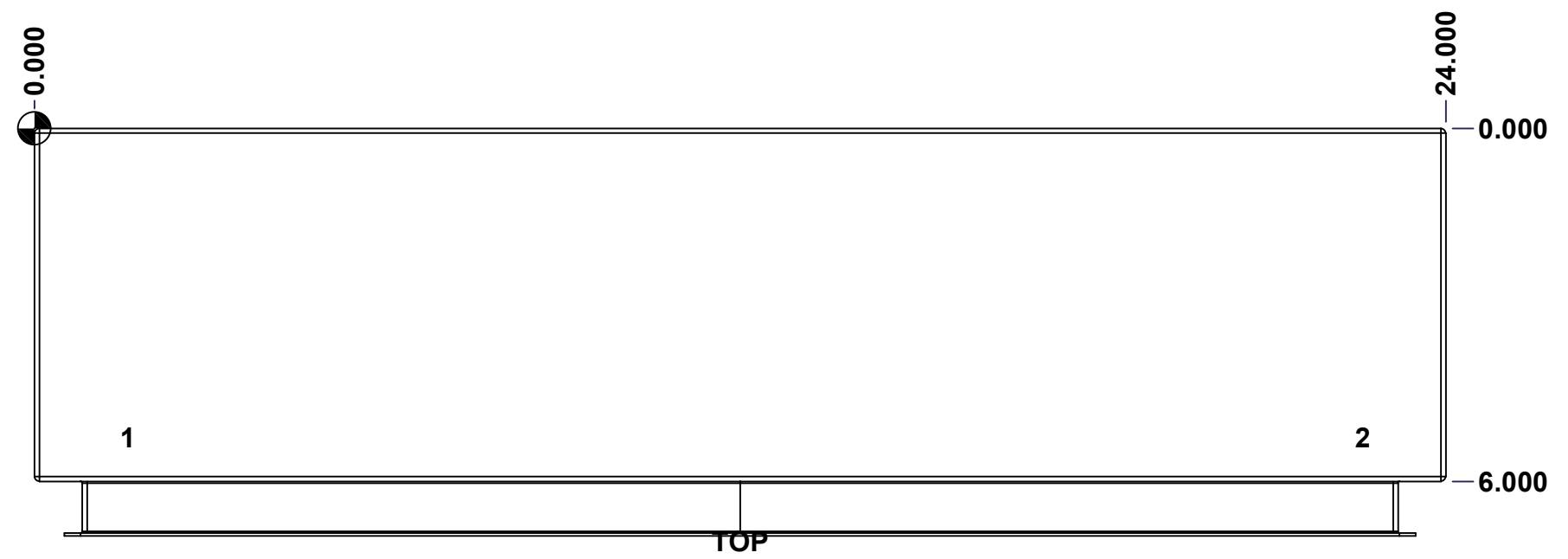
| No. | Revisions | Date | By/Par |
|-----|-----------|------|--------|
|     |           |      |        |
|     |           |      |        |
|     |           |      |        |
|     |           |      |        |

|  |                                   |   |
|--|-----------------------------------|---|
|  Tél: (450) 979-4373<br>Fax: (450) 979-4626<br><a href="http://www.exmweb.com">www.exmweb.com</a> |                                   | Flatness<br>Aplatissement<br>Max 3.0mm<br>Projection<br> |
| Customer Client  | Date                              |   |
| Drawn By<br>Dessiné Par  | BoxCad: BoxCad                    | Date 13-Feb-26  |
| Material<br>Matière  | 16 Ga Stainless Steel 316 (1.4mm) |   |
| Color<br>Couleur   | Unpainted                         | Finish<br>Fini Brushed  |
| Description  | Detail Rev.                       |   |
| 5412ESSQT 30" x 24" x 6" Body  |                                   |   |
| Part Number<br>Numéro Pièce  | Rev.                              | 3   |
| SEE BILL OF MATERIAL ON LAST PAGE  | 5412ESSQT3024066THB               | 0   |

This drawing is confidential and must not be reproduced or used without the consent of EXM

Ce dessin est confidentiel et ne doit pas être reproduit ou utilisé sans le consentement de EXM

| STANDARD FEATURES ARE NOT LISTED IN THIS HOLE TABLE |        |       |                                |
|---|--------|-------|--------------------------------|
| HOLE TABLE - TOP VIEW (CUSTOM FEATURE ONLY)         |        |       |                                |
| CUT-OUT   | XDIM   | YDIM  | DESCRIPTION                    |
| 1   | 1.500  | 5.250 | INSUL. STUD M6 x 18mm (Inside) |
| 2   | 22.500 | 5.250 | INSUL. STUD M6 x 18mm (Inside) |

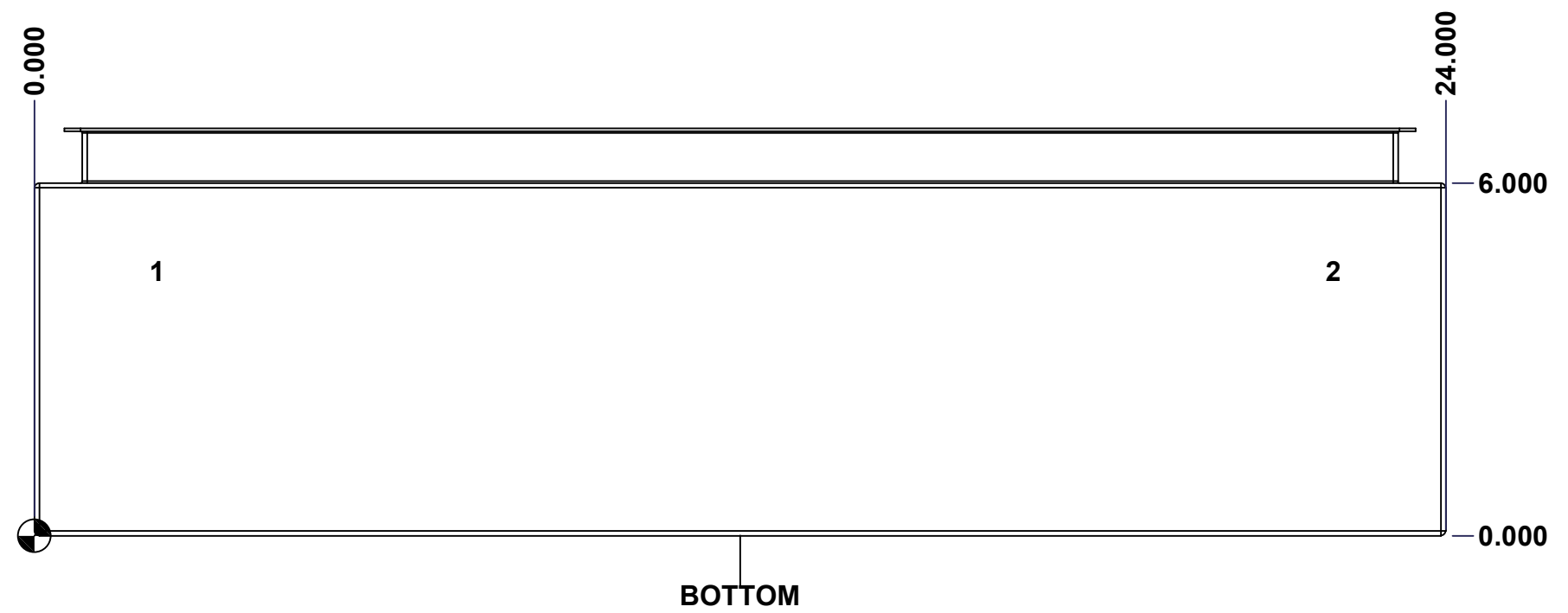


|  |                               |          |
|--|-------------------------------|----------|
|  | Description                   | Status   |
|  | 5412ESSQT 30" x 24" x 6" Body | (NULL)   |
|  | Part Number<br>Numéro Pièce   | Rev.     |
|  | <b>5412ESSQT3024066THB</b>    | <b>0</b> |
|  |                               | 4        |
|  |                               | 16       |

This drawing is confidential and must not be reproduced or used without the consent of EXM

Ce dessin est confidentiel et ne doit pas être reproduit ou utilisé sans le consentement de EXM

| <b>STANDARD FEATURES ARE NOT LISTED IN THIS HOLE TABLE</b> |        |       |                                |
|--|--------|-------|--------------------------------|
| <b>HOLE TABLE - BOTTOM VIEW (CUSTOM FEATURE ONLY)</b>      |        |       |                                |
| CUT-OUT  | XDIM   | YDIM  | DESCRIPTION                    |
| 1  | 2.000  | 4.500 | INSUL. STUD M6 x 18mm (Inside) |
| 2  | 22.000 | 4.500 | INSUL. STUD M6 x 18mm (Inside) |



|  |                               |          |
|--|-------------------------------|----------|
|  | Description                   | Status   |
|  | 5412ESSQT 30" x 24" x 6" Body | (NULL)   |
|  | Part Number<br>Numéro Pièce   | Rev.     |
|  | <b>5412ESSQT3024066THB</b>    | <b>0</b> |
|  |                               | 5        |
|  |                               | 16       |

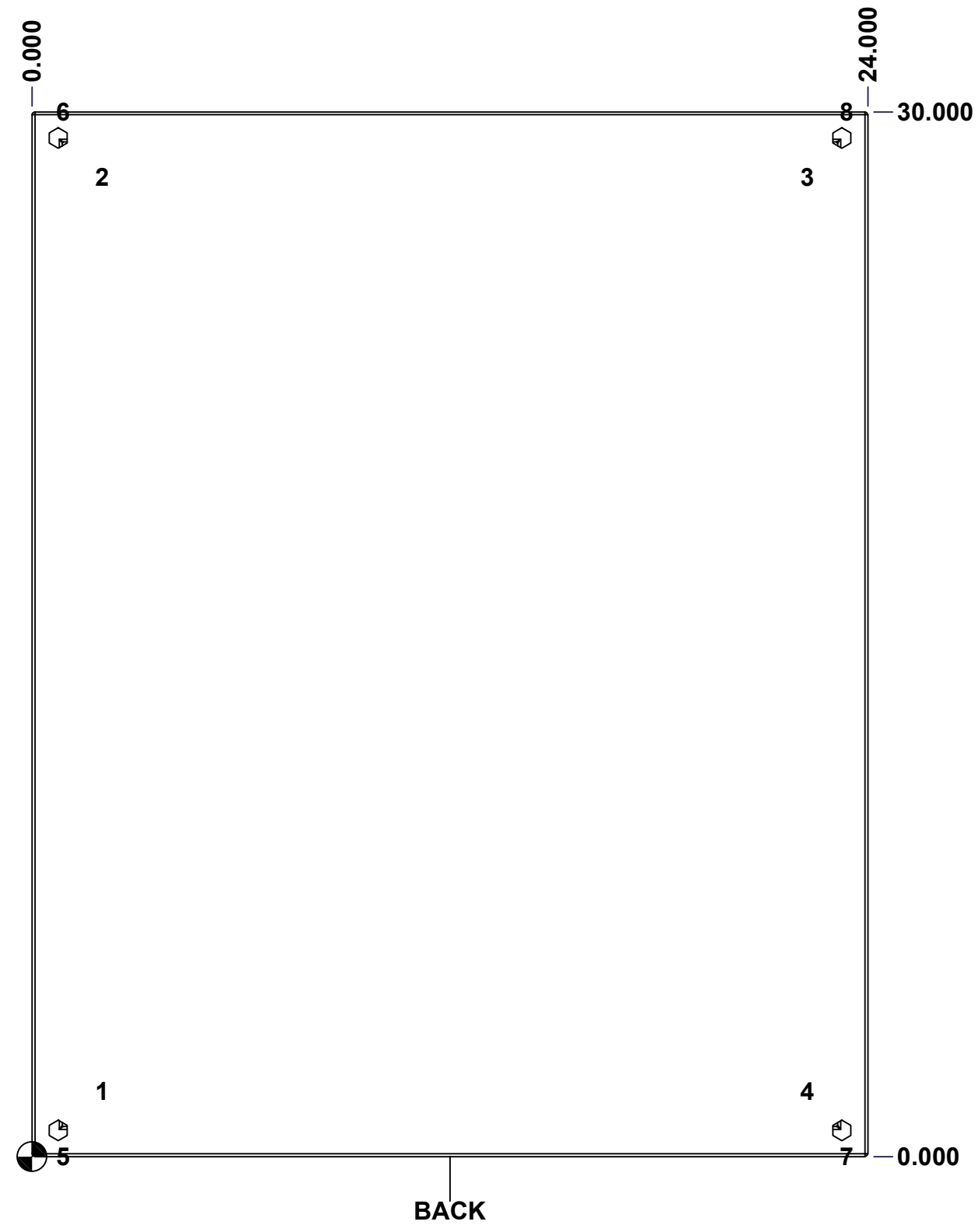
This drawing is confidential and must not be reproduced or used without the consent of EXM

Ce dessin est confidentiel et ne doit pas être reproduit ou utilisé sans le consentement de EXM

**STANDARD FEATURES ARE NOT LISTED IN THIS HOLE TABLE**

**HOLE TABLE - BACK VIEW (CUSTOM FEATURE ONLY)**

| CUT-OUT | XDIM   | YDIM   | DESCRIPTION                |
|---------|--------|--------|----------------------------|
| 1       | 1.875  | 1.875  | IP STUD M8 x 35mm (Inside) |
| 2       | 1.875  | 28.125 | IP STUD M8 x 35mm (Inside) |
| 3       | 22.125 | 28.125 | IP STUD M8 x 35mm (Inside) |
| 4       | 22.125 | 1.875  | IP STUD M8 x 35mm (Inside) |
| -----   |        |        |                            |
| 5       | 0.750  | 0.000  | FOOT 885 ESMF4_OPEN        |
| 6       | 0.750  | 30.000 | FOOT 885 ESMF4_CLOSE       |
| 7       | 23.250 | 0.000  | FOOT 885 ESMF4_OPEN        |
| 8       | 23.250 | 30.000 | FOOT 885 ESMF4_CLOSE       |

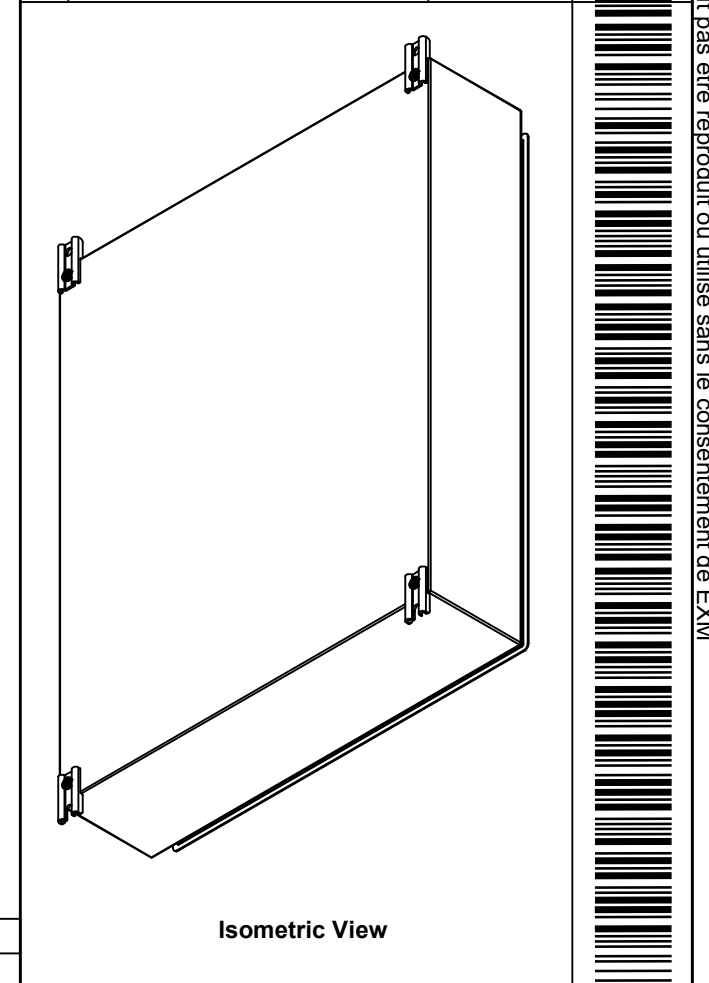


|  |                               |              |
|--|-------------------------------|--------------|
|  | Description                   | Status       |
|  | 5412ESSQT 30" x 24" x 6" Body | (NULL)       |
|  | Part Number<br>Numéro Pièce   | Rev.         |
|  | <b>5412ESSQT3024066THB</b>    | <b>0</b> / 6 |
|  |                               | 16           |

This drawing is confidential and must not be reproduced or used without the consent of EXM

Ce dessin est confidentiel et ne doit pas être reproduit ou utilisé sans le consentement de EXM


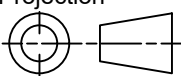
| No. | Revisions | Date | By/Par |
|-----|-----------|------|--------|
|     |           |      |        |
|     |           |      |        |
|     |           |      |        |
|     |           |      |        |
|     |           |      |        |



Isometric View

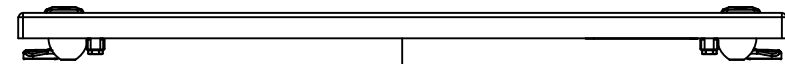


|            |                        |     |   |
|------------|------------------------|-----|---|
| 1          | 885 ESMF4              | 0   | 885 ESMF4 Mounting Foot Kit                           |
| 1          | STK-K-70554            | 3   | 5412 ESTH Accessory Kit                               |
| 1          | 5412ESSQT3024066TH-RS  | 0   | 5412ESSQT 30" x 24" Right Insulation                  |
| 1          | 5412ESSQT3024066TH-L S | 0   | 5412ESSQT 30" x 24" Left Insulation                   |
| 1          | 5412ESSQT3024066TH-BT  | 0   | 5412ESSQT 30" x 24"Bottom Insulation                  |
| 1          | 5412ESSQT3024066TH-TP  | 0   | 5412ESSQT 30" x 24"Top Insulation                     |
| 1          | 5412ESSQT3024066TH-B   | 0   | 5412ESSQT 30" x 24" Back Insulation                   |
| 4          | STK-Q-16070            | 1   | Stud M6 x 18mm Stainless steel                        |
| 4          | RIVET_NUT_SS_M10_FH_CE | 0   | Stainless Steel Rivet Nut M10 (Low Profile Close End) |
| 4          | STK-Q-16020            | 1   | Stud M8 x 35mm Stainless Steel                        |
| 1          | 5412ESSQT3024066THB-P  | 0   | 5412ESSQT 30" x 24" x 6" Body Part                    |
| Qty        | Part Number            | Rev | Description   |
| Parts List |                        |     |   |

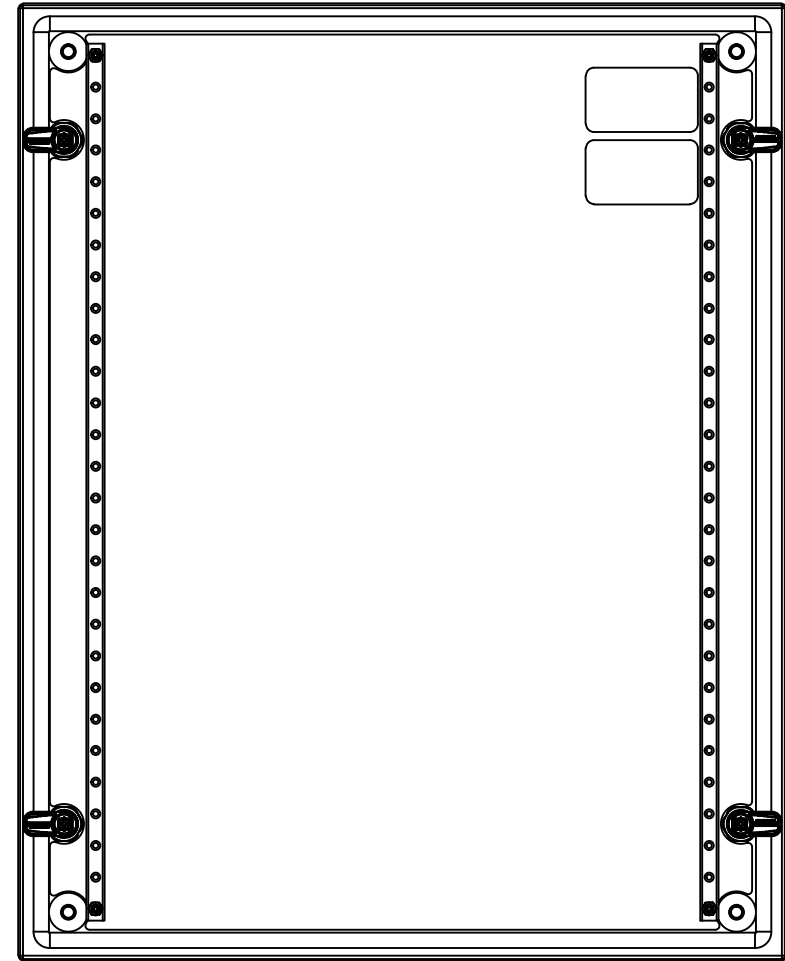
|  |                                   |   |
|--|-----------------------------------|---|
|  Tél: (450) 979-4373<br>Fax: (450) 979-4626<br><a href="http://www.exmweb.com">www.exmweb.com</a> | Flatness<br>Aplatissement         | Max 3.0mm   |
|  | Projection                        |  |
| Customer<br>Client   | Date                              |   |
| Drawn By<br>Dessiné Par  | BoxCad: BoxCad                    | Date 13-Feb-26  |
| Material<br>Matière  | 16 Ga Stainless Steel 316 (1.4mm) |   |
| Color<br>Couleur   | Unpainted                         | Finish<br>Fini Brushed  |
| Description  | Detail Rev.                       |   |
| 5412ESSQT 30" x 24" x 6" Body  |                                   |   |
| Part Number<br>Numéro Pièce  | Rev.                              | 7   |
| <b>5412ESSQT3024066THB</b>   | <b>0</b>                          | 16  |

This drawing is confidential and must not be reproduced or used without the consent of EXM

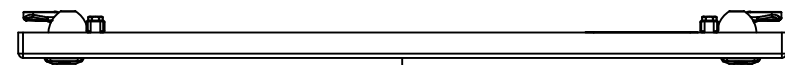
Ce dessin est confidentiel et ne doit pas être reproduit ou utilisé sans le consentement de EXM



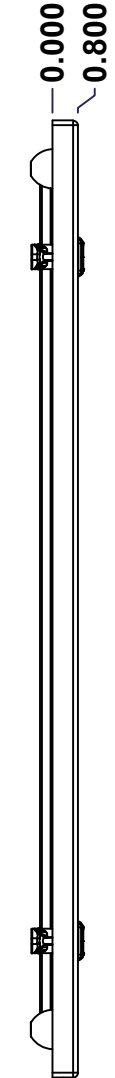
TOP



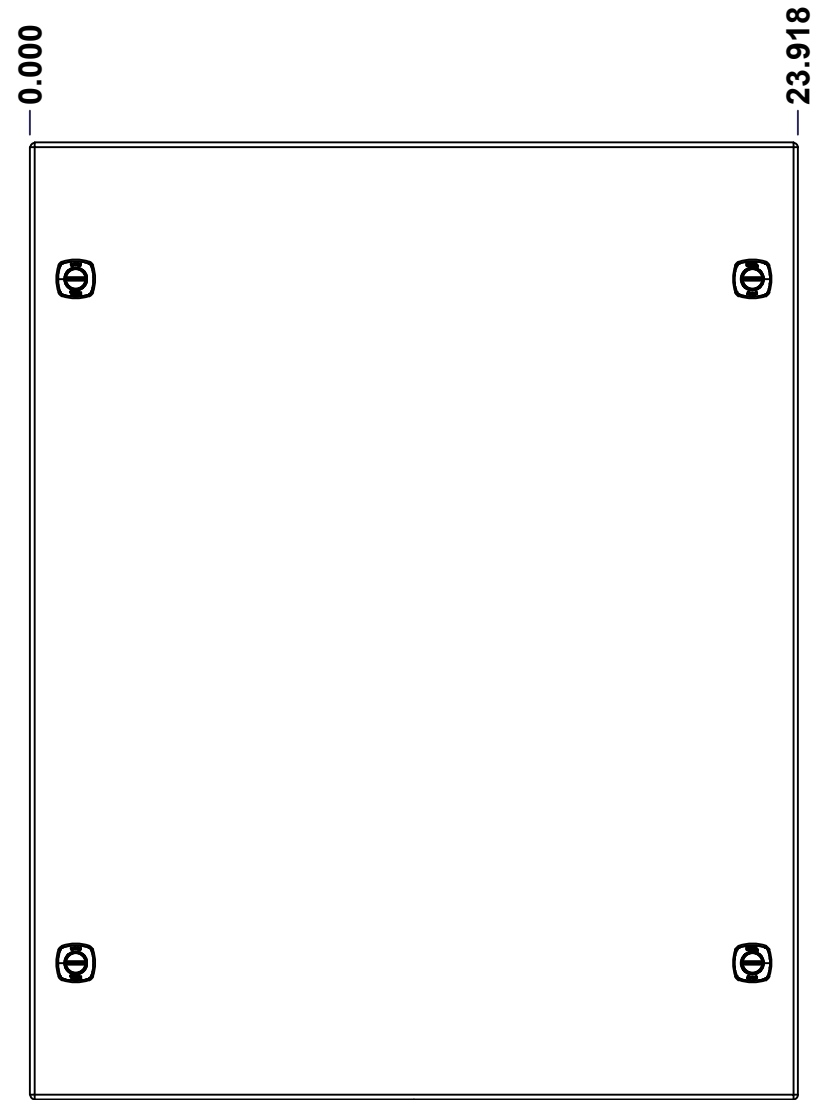
BACK



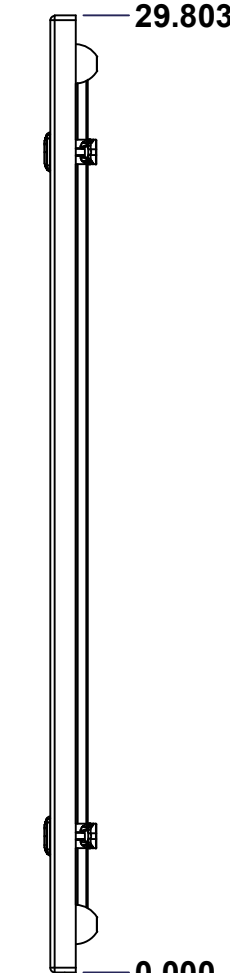
BOTTOM



LEFT

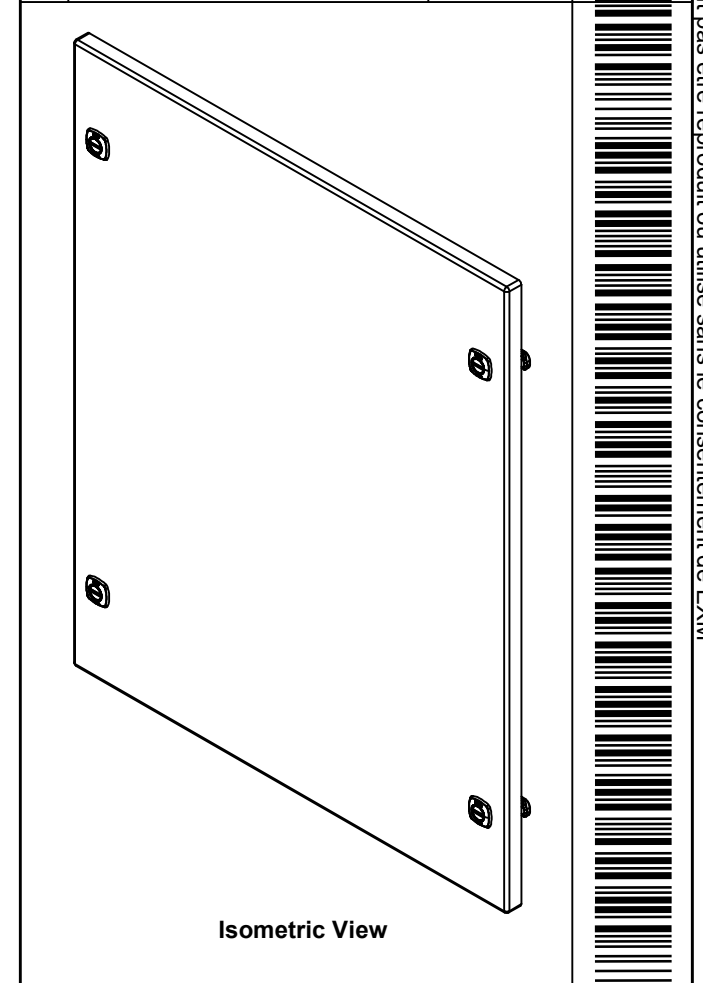


FRONT

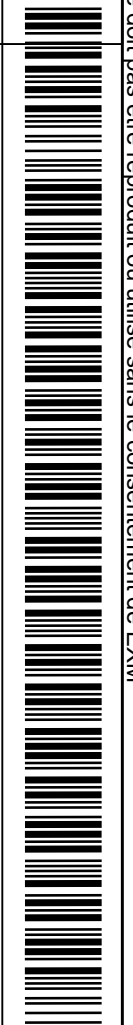


RIGHT

| No. | Revisions | Date | By/Par |
|-----|-----------|------|--------|
|     |           |      |        |
|     |           |      |        |
|     |           |      |        |
|     |           |      |        |



Isometric View



|  |                                   |  |
|--|-----------------------------------|--|
| Tél: (450) 979-4373<br>Fax: (450) 979-4626<br><a href="http://www.exmweb.com">www.exmweb.com</a> |                                   | Flatness<br>Aplatissement<br>Max 3.0mm<br>Projection<br> |
| Customer Client  | Date                              |  |
| Drawn By<br>Dessiné Par  | BoxCad: BoxCad                    | Date 13-Feb-26   |
| Material<br>Matière  | 16 Ga Stainless Steel 316 (1.4mm) |  |
| Color<br>Couleur   | Unpainted                         | Finish<br>Fini<br>Brushed                                |
| Description<br>5412ESSQT 30" x 24" Cover   |                                   | Detail Rev.  |
| Part Number<br>Numéro Pièce  | Rev. 0                            | 8 / 16   |

SEE BILL OF MATERIAL ON LAST PAGE

**5412ESSQT3024066THC**

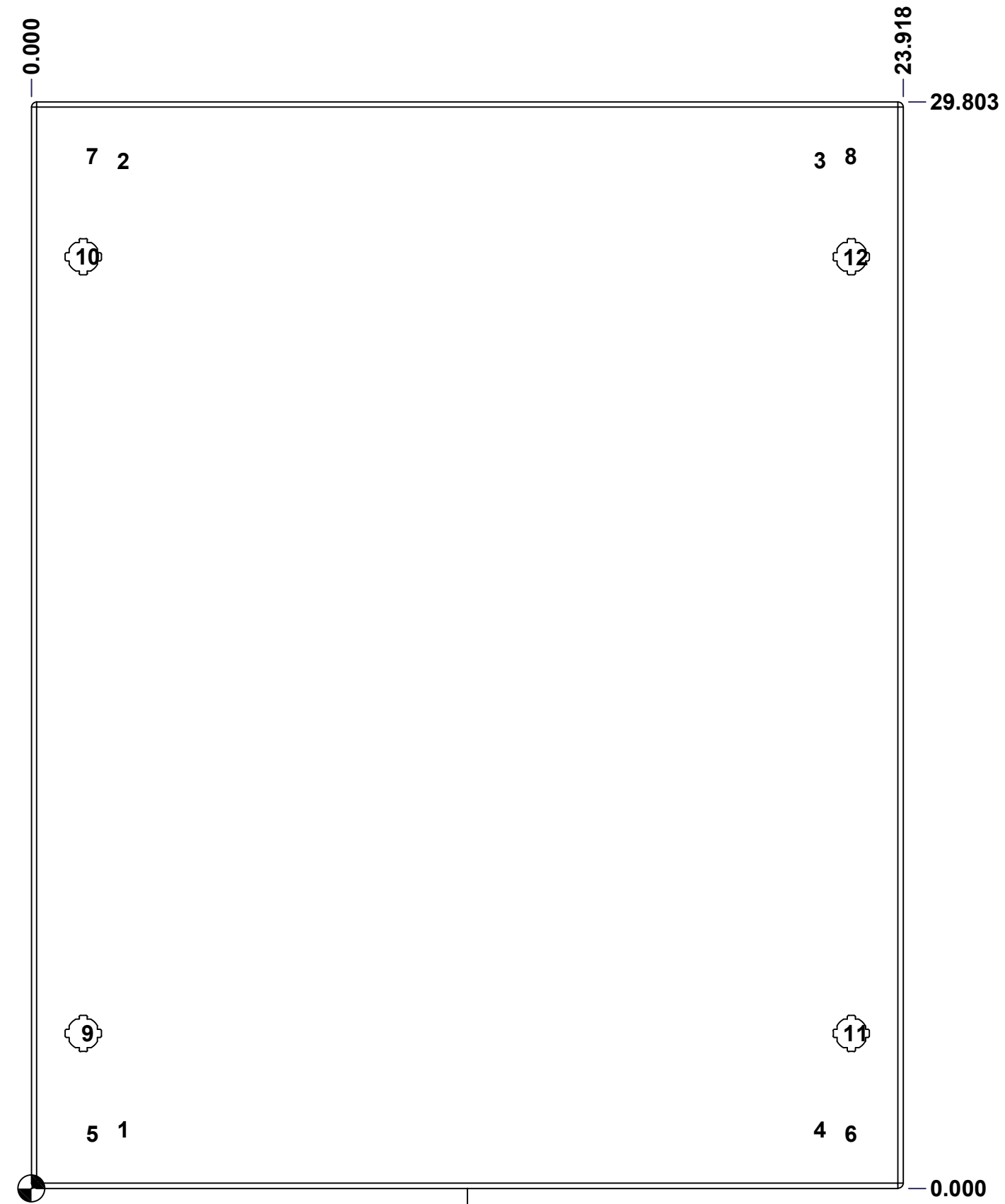
This drawing is confidential and must not be reproduced or used without the consent of EXM

Ce dessin est confidentiel et ne doit pas être reproduit ou utilisé sans le consentement de EXM

**STANDARD FEATURES ARE NOT LISTED IN THIS HOLE TABLE**

**HOLE TABLE - FRONT VIEW (CUSTOM FEATURE ONLY)**

| CUT-OUT | XDIM   | YDIM   | DESCRIPTION                  |
|---------|--------|--------|------------------------------|
| 1       | 2.401  | 1.614  | STUD M6 x 18mm (Inside)      |
| 2       | 2.401  | 28.189 | STUD M6 x 18mm (Inside)      |
| 3       | 21.517 | 28.189 | STUD M6 x 18mm (Inside)      |
| 4       | 21.517 | 1.614  | STUD M6 x 18mm (Inside)      |
| 5       | 1.550  | 1.500  | STUD M6 x 18mm (Inside)      |
| 6       | 22.368 | 1.500  | STUD M6 x 18mm (Inside)      |
| 7       | 1.550  | 28.303 | STUD M6 x 18mm (Inside)      |
| 8       | 22.368 | 28.303 | STUD M6 x 18mm (Inside)      |
| -----   |        |        |                              |
| 9       | 1.424  | 4.250  | LOCK 880 SCQ4-SLSS6 @ 180.0° |
| 10      | 1.424  | 25.553 | LOCK 880 SCQ4-SLSS6 @ 180.0° |
| 11      | 22.494 | 4.250  | LOCK 880 SCQ4-SLSS6 @ 0.0°   |
| 12      | 22.494 | 25.553 | LOCK 880 SCQ4-SLSS6 @ 0.0°   |



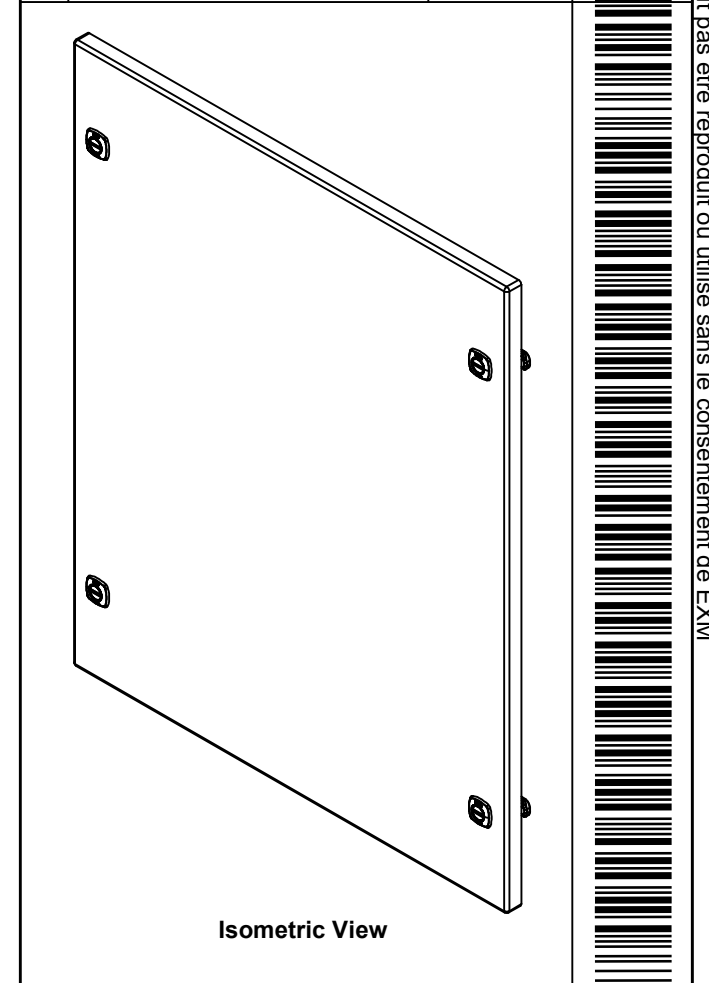
FRONT

|  |                             |              |
|--|-----------------------------|--------------|
|  | Description                 | Status       |
|  | 5412ESSQT 30" x 24" Cover   | (NULL)       |
|  | Part Number<br>Numéro Pièce | Rev.         |
|  | <b>5412ESSQT3024066THC</b>  | <b>0</b> / 9 |
|  |                             | 16           |

This drawing is confidential and must not be reproduced or used without the consent of EXM

Ce dessin est confidentiel et ne doit pas être reproduit ou utilisé sans le consentement de EXM

| No. | Revisions | Date | By/Par |
|-----|-----------|------|--------|
|     |           |      |        |
|     |           |      |        |
|     |           |      |        |
|     |           |      |        |
|     |           |      |        |




 Tél: (450) 979-4373  
 Fax: (450) 979-4626  
[www.exmweb.com](http://www.exmweb.com)

Flatness / Aplatissement: Max 3.0mm  
 Projection: 

|   |                       |   |  |
|---|-----------------------|---|--|
| 4 | STK-Q-07250           | 2 | M6 x 16mm Collar Nut                   |
| 2 | STK-Q-46020-30        | 6 | 5412 ES Vertical Door Stiffener 30"    |
| 2 | STK-S-00100           | 0 | 3.5" x 2" Silver Milar Flexcon Sticker |
| 1 | 5412ESSQT3024066THI-C | 0 | 5412ESSQT 30" x 24" Cover Insulation   |
| 4 | STK-K-12590           | 7 | 5412 ESS 1/4 Turn Lock                 |
| 8 | STK-Q-16070           | 1 | Stud M6 x 18mm Stainless steel         |
| 1 | 5412ESSQT3024066THG   | 0 | 5412ESSQT 30" x 24" Cover Gasket Part  |
| 1 | 5412ESSQT3024066THC-P | 0 | 5412ESSQT 30" x 24" Cover Part         |
| 4 | STK-Q-46515           | 3 | 5412 ES Door Support with Brass Insert |

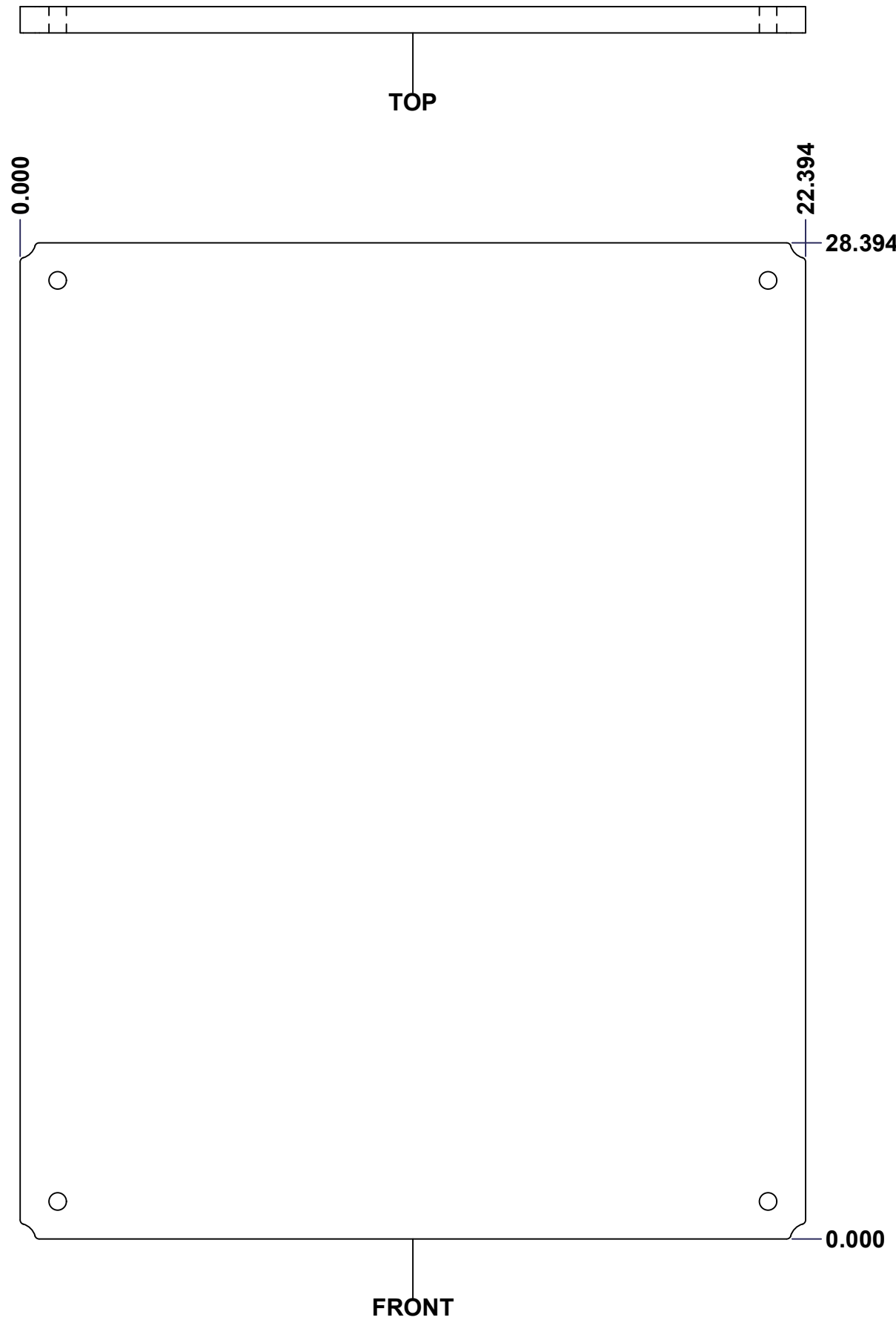
|  |                        |
|--|------------------------|
| Customer Client  | Date                   |
| Drawn By / Dessiné Par: BoxCad: BoxCad                 | Date: 13-Feb-26        |
| Material / Matière: 16 Ga Stainless Steel 316 (1.4mm)  |                        |
| Color / Couleur: Unpainted                             | Finish / Fini: Brushed |
| Description: 5412ESSQT 30" x 24" Cover                 | Detail Rev.            |
| Part Number / Numéro Pièce: <b>5412ESSQT3024066THC</b> | Rev. 10                |

| QTY        | Part Number | Rev | Description |
|------------|-------------|-----|-------------|
| Parts List |             |     |             |

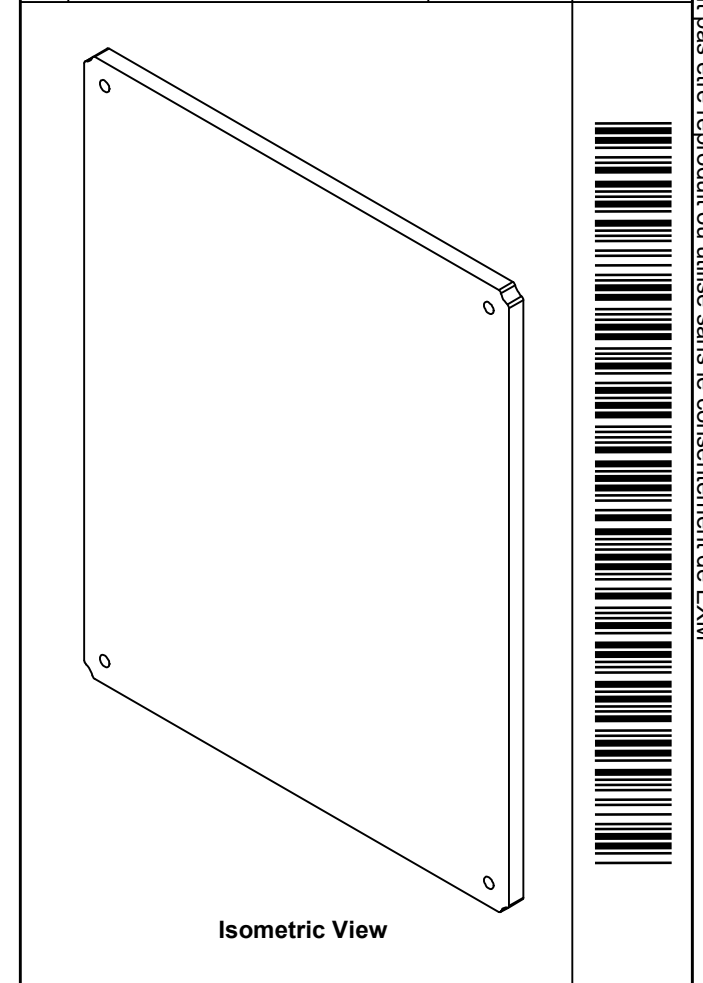
|               |    |
|---------------|----|
| Rev. <b>0</b> | 10 |
|               | 16 |


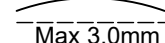
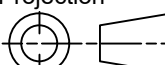
This drawing is confidential and must not be reproduced or used without the consent of EXM

Ce dessin est confidentiel et ne doit pas être reproduit ou utilisé sans le consentement de EXM



| No. | Revisions | Date | By/Par |
|-----|-----------|------|--------|
|     |           |      |        |
|     |           |      |        |
|     |           |      |        |
|     |           |      |        |
|     |           |      |        |



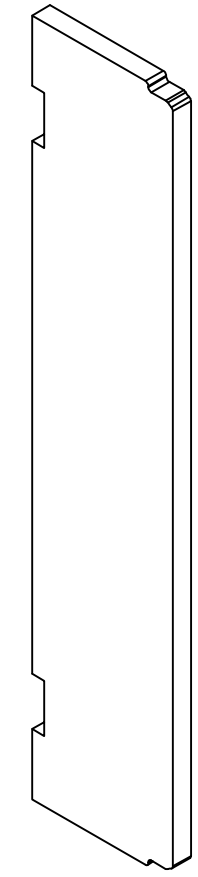
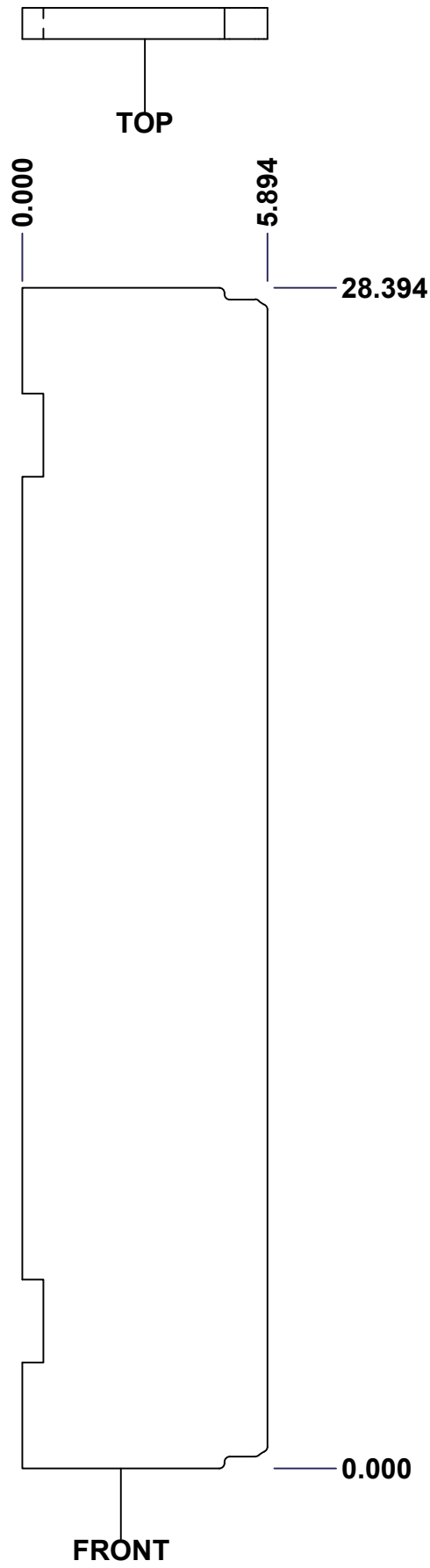
|  |                           |  |
|--|---------------------------|--|
|  Tél: (450) 979-4373<br>Fax: (450) 979-4626<br><a href="http://www.exmweb.com">www.exmweb.com</a> |                           | Flatness<br>Aplatissement<br><br>Max 3.0mm<br>Projection<br> |
| Customer Client  | Date                      |  |
| Drawn By<br>Dessiné Par  | BoxCad: Patrick Deschenes | Date 23-Jan-07   |
| Material<br>Matière  | Polyisocyanurate          |  |
| Color<br>Couleur   | Aluminum                  | Finish<br>Fini N/A   |
| Description  |                           | Detail Rev.  |
| 5412ESSQT 30" x 24" Back Insulation  |                           |  |
| Part Number<br>Numéro Pièce  | Rev. 0                    | 11 / 16  |

SEE BILL OF MATERIAL ON LAST PAGE

**5412ESSQT3024066THI-B**

This drawing is confidential and must not be reproduced or used without the consent of EXM


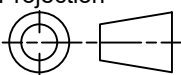
Ce dessin est confidentiel et ne doit pas être reproduit ou utilisé sans le consentement de EXM



Isometric View



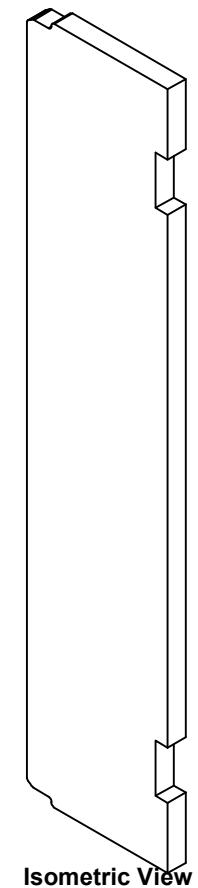
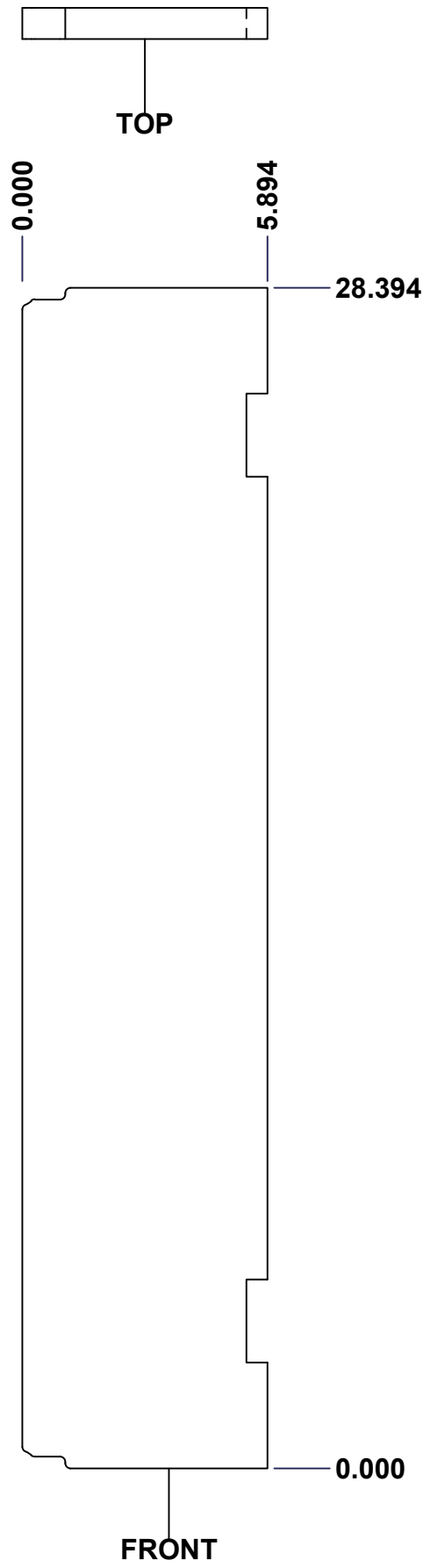
| No. | Revisions | Date | By/Par |
|-----|-----------|------|--------|
|     |           |      |        |
|     |           |      |        |
|     |           |      |        |
|     |           |      |        |

|  |                    |   |
|--|--------------------|---|
|  Tél: (450) 979-4373<br>Fax: (450) 979-4626<br><a href="http://www.exmweb.com">www.exmweb.com</a> |                    | Flatness<br>Aplatissement<br>Max 3.0mm  |
| Customer Client  |                    | Projection<br> |
| Drawn By / Dessiné Par: BoxCad: Patrick Deschenes  |                    | Date: 23-Jan-07   |
| Material / Matière: Polyisocyanurate   |                    |   |
| Color / Couleur: Aluminum  | Finish / Fini: N/A |   |
| Description: 5412ESSQT 30" x 24" Left Insulation   |                    | Detail Rev.   |
| Part Number / Numéro Pièce: 5412ESSQT3024066THI-LS   |                    | Rev. 12 / 16  |


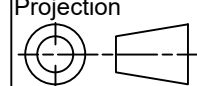
SEE BILL OF MATERIAL ON LAST PAGE

This drawing is confidential and must not be reproduced or used without the consent of EXM

Ce dessin est confidentiel et ne doit pas être reproduit ou utilisé sans le consentement de EXM



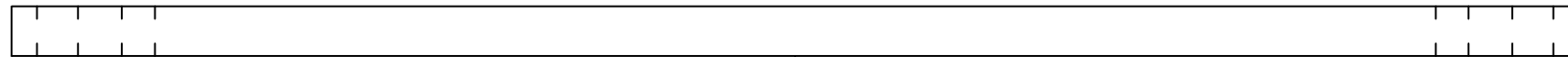
| No. | Revisions | Date | By/Par |
|-----|-----------|------|--------|
|     |           |      |        |
|     |           |      |        |
|     |           |      |        |
|     |           |      |        |

|  |                           |   |
|--|---------------------------|---|
|  Tél: (450) 979-4373<br>Fax: (450) 979-4626<br><a href="http://www.exmweb.com">www.exmweb.com</a> |                           | Flatness<br>Aplatissement<br>Max 3.0mm  |
| Customer Client  |                           | Date  |
| Drawn By<br>Dessiné Par  | BoxCad: Patrick Deschenes | Date 23-Jan-07  |
| Material<br>Matière Polyisocyanurate   |                           |   |
| Color<br>Couleur Aluminum  | Finish<br>Fini N/A        |  |
| Description<br>5412ESSQT 30" x 24" Right Insulation  |                           | Detail Rev.   |
| Part Number<br>Numéro Pièce 5412ESSQT3024066THI-RS   |                           | Rev. 13<br>0 16   |

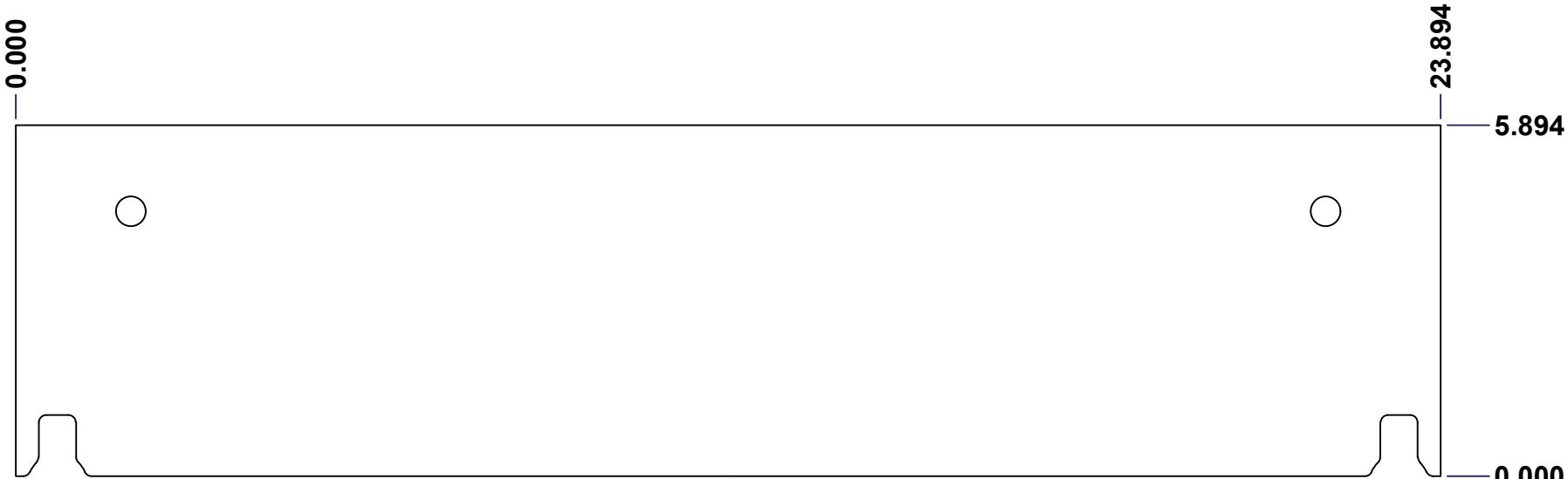
SEE BILL OF MATERIAL ON LAST PAGE

This drawing is confidential and must not be reproduced or used without the consent of EXM

Ce dessin est confidentiel et ne doit pas être reproduit ou utilisé sans le consentement de EXM

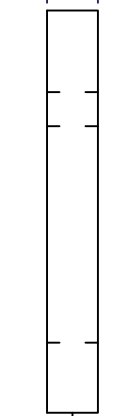


TOP



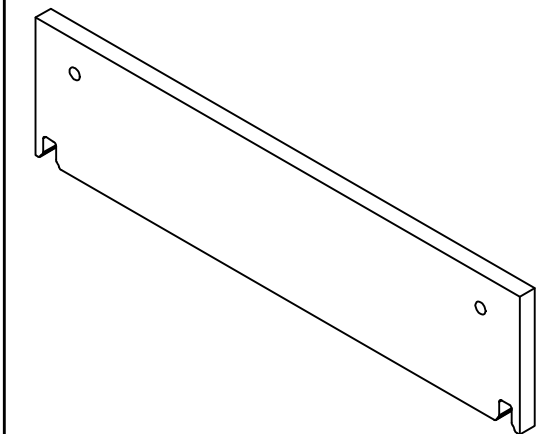
FRONT

0.000  
0.750



RIGHT

| No. | Revisions | Date | By/Par |
|-----|-----------|------|--------|
|     |           |      |        |
|     |           |      |        |
|     |           |      |        |
|     |           |      |        |



Isometric View



Tél: (450) 979-4373  
Fax: (450) 979-4626  
[www.exmweb.com](http://www.exmweb.com)

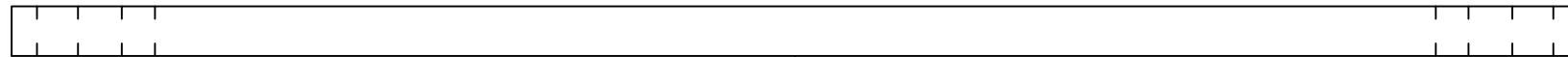
Flatness  
Aplatissement  
Max 5.0mm  
Projection

|  |                        |
|--|------------------------|
| Customer Client                                    | Date                   |
| Drawn By<br>Dessiné Par BoxCad: BoxCad             | Date 4/3/2024          |
| Material<br>Matière Polyisocyanurate               |                        |
| Color<br>Couleur Aluminum                          | Finish<br>Fini Brushed |
| Description<br>5412ESSQT 30" x 24"Top Insulation   | Detail Rev.            |
| Part Number<br>Numéro Pièce 5412ESSQT3024066THI-TP | Rev. 14<br>0           |

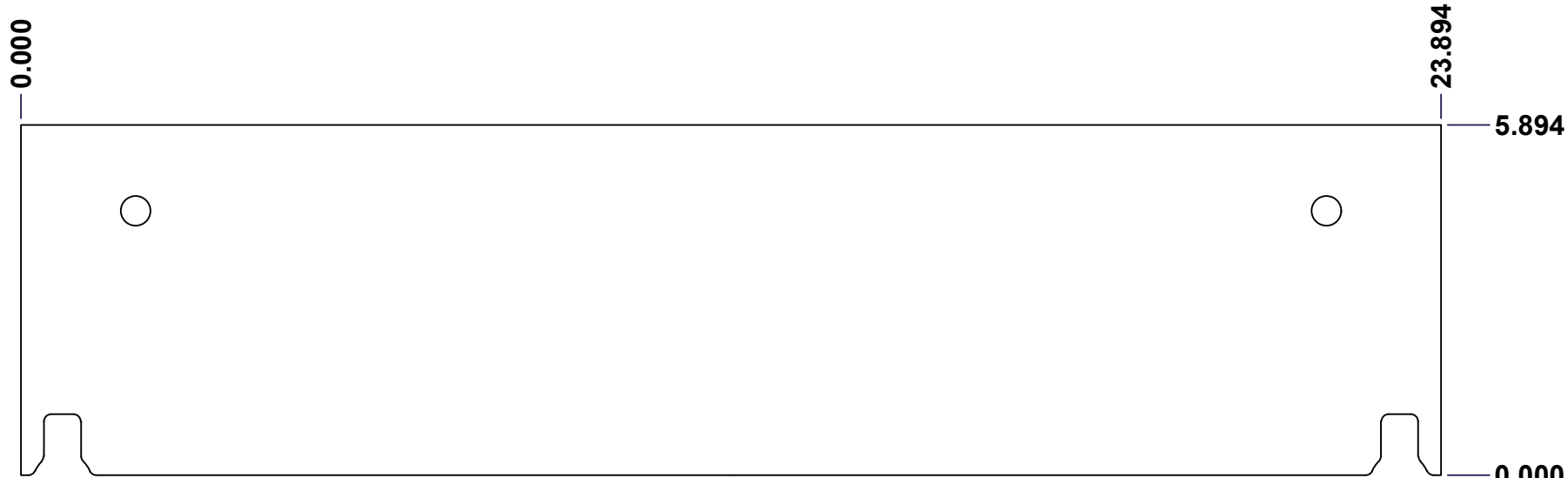
SEE BILL OF MATERIAL ON LAST PAGE

This drawing is confidential and must not be reproduced or used without the consent of EXM

Ce dessin est confidentiel et ne doit pas être reproduit ou utilisé sans le consentement de EXM

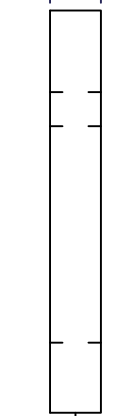


TOP



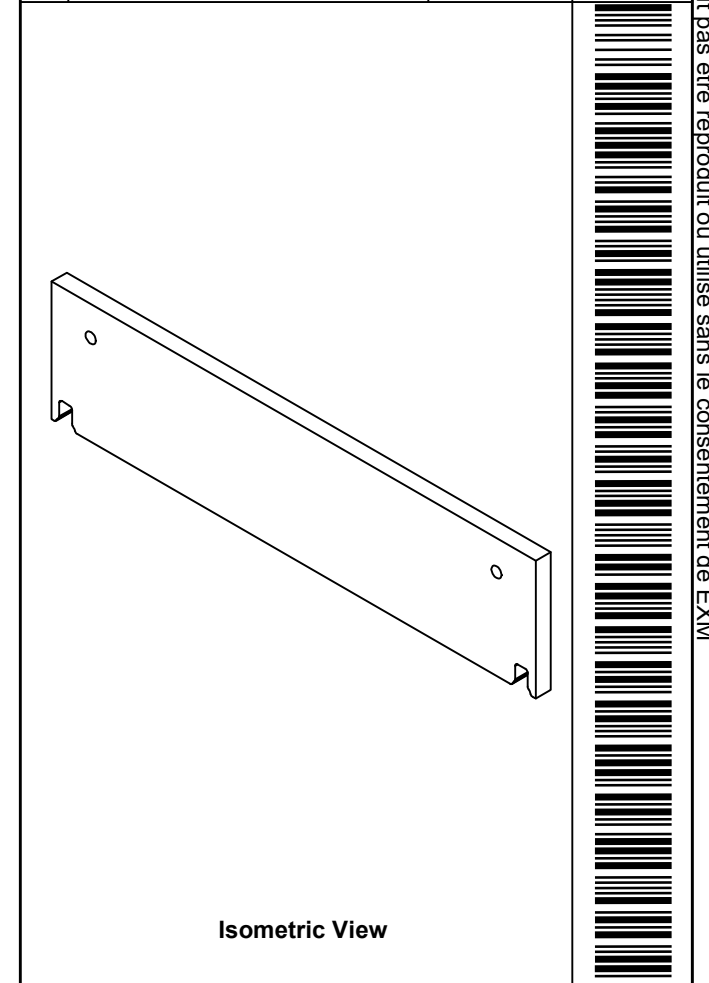
FRONT

0.000  
0.750



RIGHT

| No. | Revisions | Date | By/Par |
|-----|-----------|------|--------|
|     |           |      |        |
|     |           |      |        |
|     |           |      |        |
|     |           |      |        |



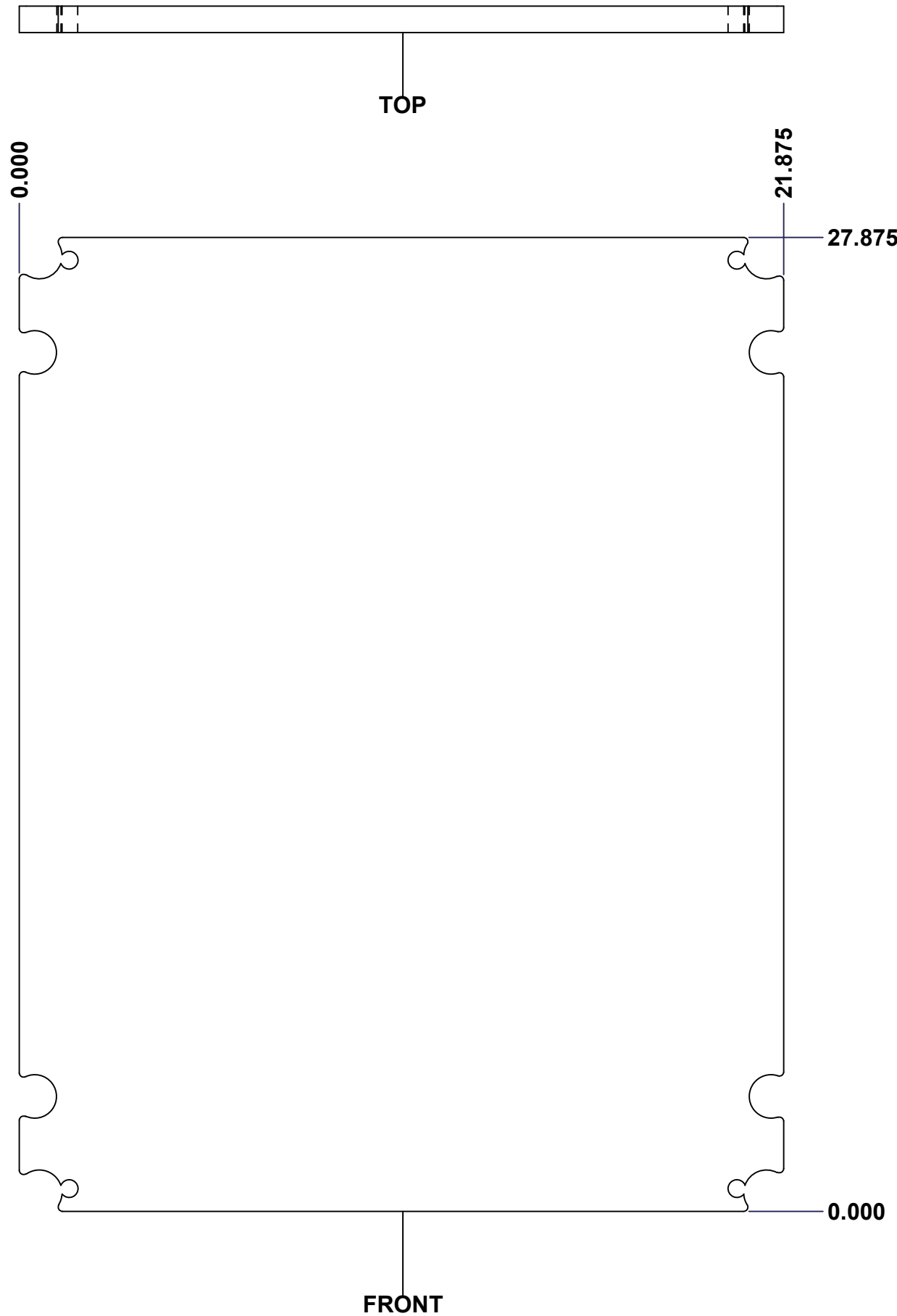
Isometric View

|   |  |
|---|--|
|   | Flatness<br>Aplatissement<br>Max 5.0mm |
|   | Projection<br>                         |
| Customer Client                                     | Date                                   |
| Drawn By<br>Dessiné Par BoxCad: BoxCad              | Date 4/3/2024                          |
| Material<br>Matière Polyisocyanurate                |  |
| Color<br>Couleur Aluminum                           | Finish<br>Fini Brushed                 |
| Description<br>5412ESSQT 30" x 24"Bottom Insulation |  |
| Detail Rev.   |  |
| Part Number<br>Numéro Pièce 5412ESSQT3024066THI-BT  | Rev. 15<br>0                           |

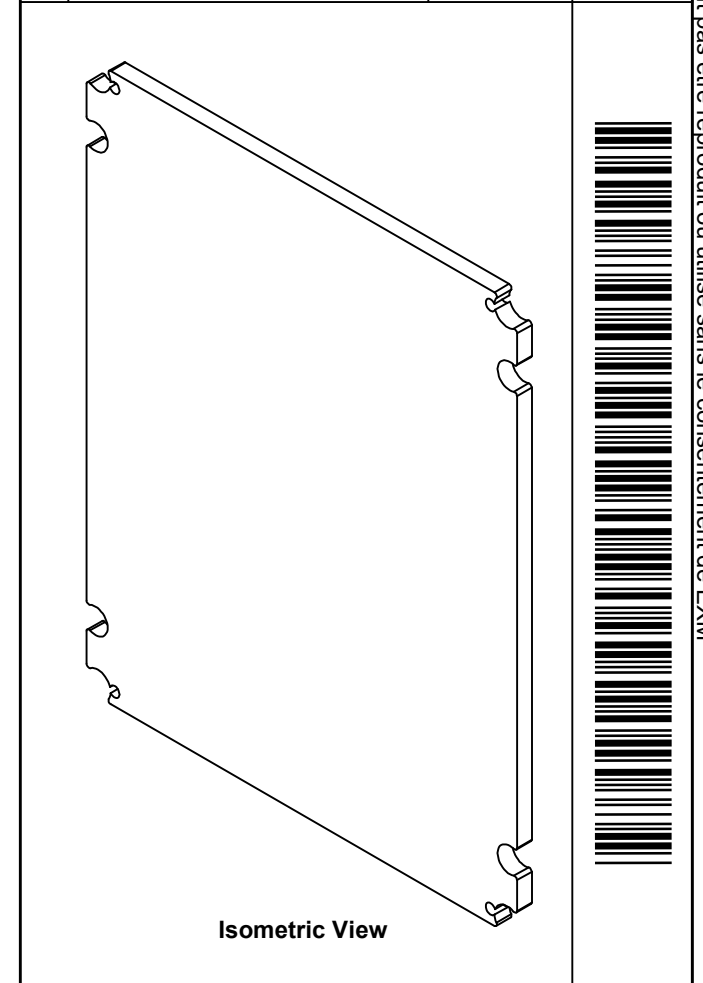
SEE BILL OF MATERIAL ON LAST PAGE

This drawing is confidential and must not be reproduced or used without the consent of EXM

Ce dessin est confidentiel et ne doit pas être reproduit ou utilisé sans le consentement de EXM



| No. | Revisions | Date | By/Par |
|-----|-----------|------|--------|
|     |           |      |        |
|     |           |      |        |
|     |           |      |        |
|     |           |      |        |
|     |           |      |        |

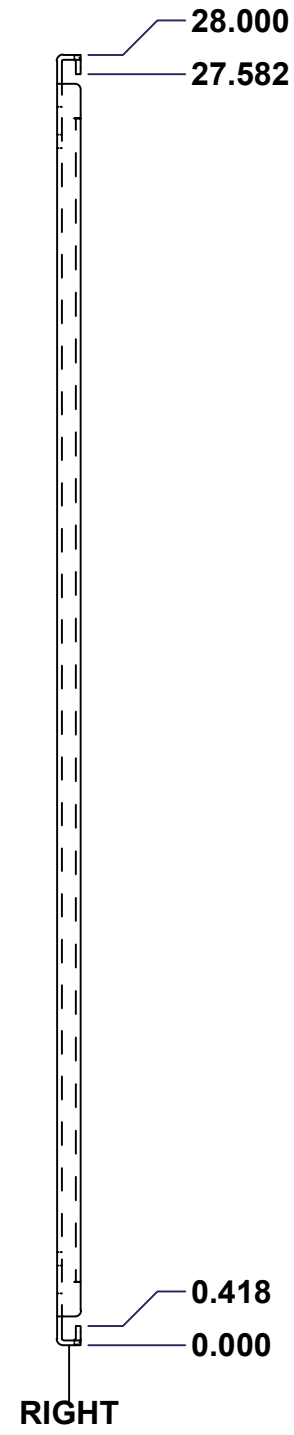
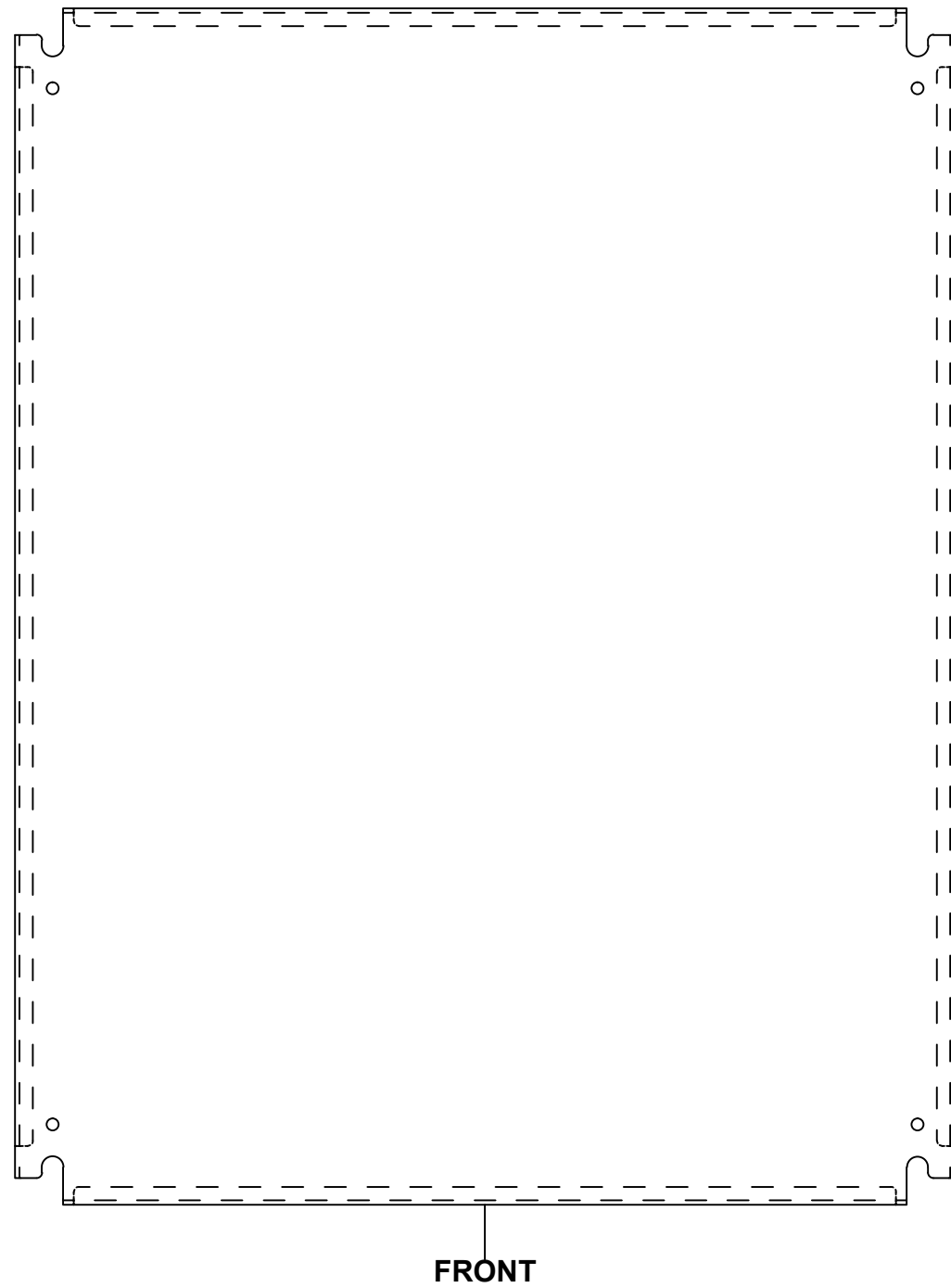
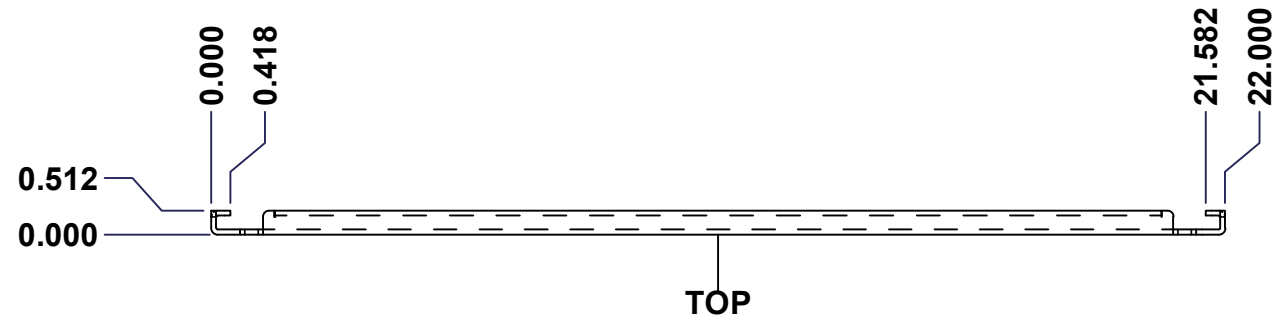


|  |                           |  |
|--|---------------------------|--|
| Tél: (450) 979-4373<br>Fax: (450) 979-4626<br><a href="http://www.exmweb.com">www.exmweb.com</a> |                           | Flatness<br>Aplatissement<br>Max 3.0mm<br>Projection<br> |
| Customer Client  | Date                      |  |
| Drawn By<br>Dessiné Par  | BoxCad: Patrick Deschenes | Date 23-Jan-07   |
| Material<br>Matière  | Polyisocyanurate          |  |
| Color<br>Couleur   | Aluminum                  | Finish<br>Fini N/A                                       |
| Description  | Detail Rev.               |  |
| 5412ESSQT 30" x 24" Cover Insulation   |                           |  |
| Part Number<br>Numéro Pièce  | Rev.                      | 16   |
| <b>5412ESSQT3024066THI-C</b>   | <b>0</b>                  | 16   |

SEE BILL OF MATERIAL ON LAST PAGE

This drawing is confidential and must not be reproduced or used without the consent of EXM

Ce dessin est confidentiel et ne doit pas être reproduit ou utilisé sans le consentement de EXM



| No. | Revisions | Date | By/Par |
|-----|-----------|------|--------|
|     |           |      |        |
|     |           |      |        |
|     |           |      |        |
|     |           |      |        |
|     |           |      |        |

Isometric View

|  |                           |
|--|---------------------------|
| Tél: (450) 979-4373<br>Fax: (450) 979-4626<br>www.exmweb.com | Flatness<br>Aplatissement |
|  | Max 3.0mm                 |
| Projection   |                           |
| Customer<br>Client   | Date                      |
| Drawn By<br>Dessiné Par BoxCad                               | Date 23-Jan-07            |
| Material<br>Matière  | See Part List             |
| Color<br>Couleur   | See Part List             |
| Finish<br>Fini   | See Part List             |
| Description  | Detail Rev.               |
| 881 SP - Inner Panel   |                           |
| Part Number<br>Numéro Pièce                                  | Rev. 1                    |
| <b>881 SP3024G</b>   | <b>0</b> 2                |

| Qty | Part Number   | Rev | Description               | Material         | Color     | Finish     |
|-----|---------------|-----|---------------------------|------------------|-----------|------------|
| 1   | 881 SP3024G-P | 0   | 881 SP - Inner Panel Part | 12 Ga Galvanized | Unpainted | Galvanized |

Parts List

This drawing is confidential and must not be reproduced or used without the consent of EXM

Ce dessin est confidentiel et ne doit pas être reproduit ou utilisé sans le consentement de EXM

| Table 1 |        |        | FRONT VIEW               |
|---------|--------|--------|--------------------------|
| CUT-OUT | XDIM   | YDIM   | DESCRIPTION              |
| 1       | 0.875  | 1.875  | GROUND HOLE (RND Ø0.290) |
| 2       | 21.125 | 1.875  | GROUND HOLE (RND Ø0.290) |
| 3       | 0.875  | 26.125 | GROUND HOLE (RND Ø0.290) |
| 4       | 21.125 | 26.125 | GROUND HOLE (RND Ø0.290) |

All knockouts are actual size / Les disques défonçables sont grandeur réel

| No. | Revisions | Date | By/Par |
|-----|-----------|------|--------|
|     |           |      |        |
|     |           |      |        |
|     |           |      |        |
|     |           |      |        |
|     |           |      |        |



|                             |  |  |
|-----------------------------|--|--|
|                             | Tél: (450) 979-4373<br>Fax: (450) 979-4626<br>www.exmweb.com | Flatness<br>Aplatissement<br>Max 3.0mm |
|                             |  | Projection<br>                         |
| Customer Client             |  | Date                                   |
| Drawn By<br>Dessiné Par     | BoxCad   | Date 23-Jan-07                         |
| Material<br>Matière         | See Part List  |  |
| Color<br>Couleur            | See Part List  | Finish<br>Fini See Part List           |
| Description                 | 881 SP - Inner Panel   |  |
| Part Number<br>Numéro Pièce | 881 SP3024G  | Detail Rev.<br>Rev. 2<br>0             |