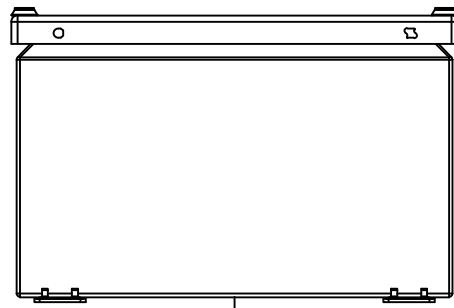
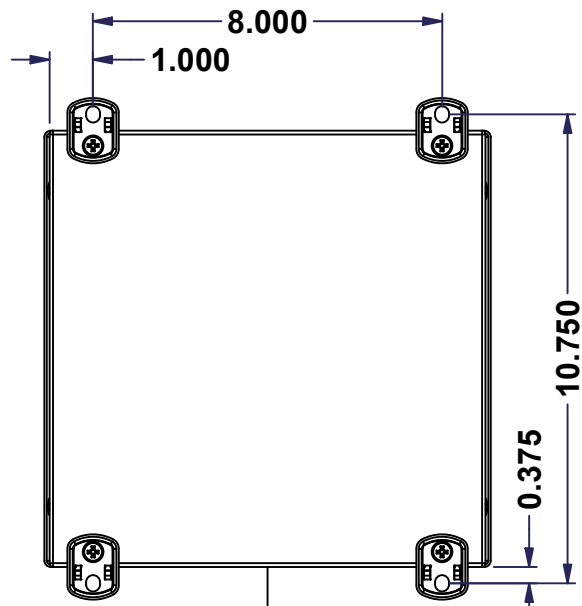


This drawing is confidential and must not be reproduced or used without the consent of EXM

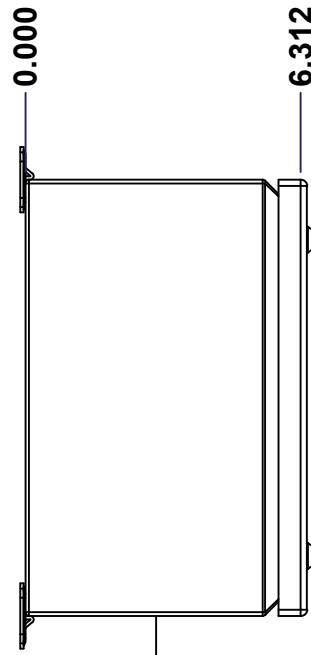
Ce dessin est confidentiel et ne doit pas être reproduit ou utilisé sans le consentement de EXM



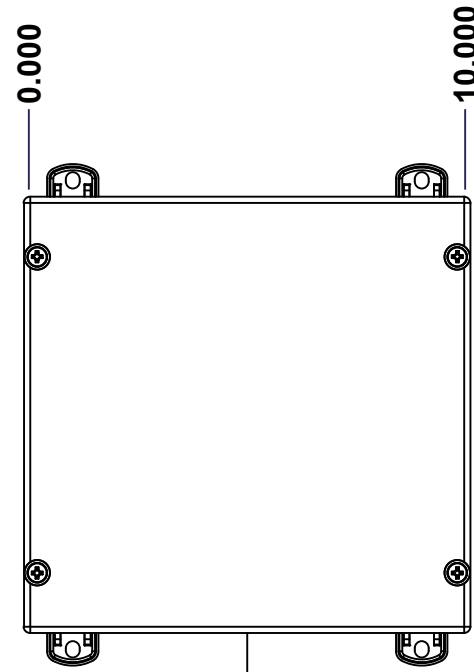
TOP



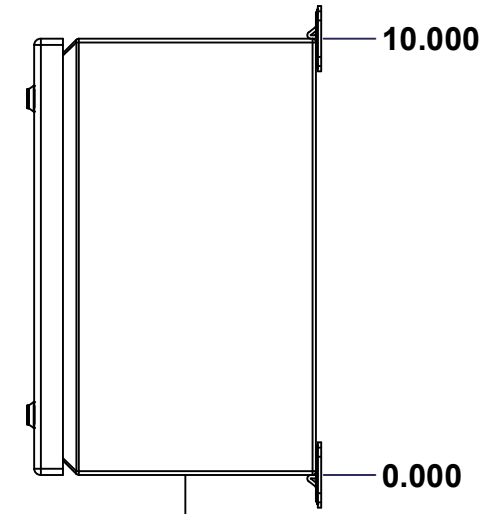
BACK



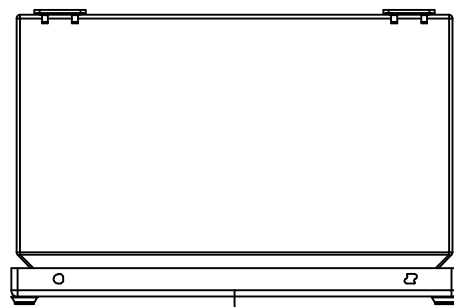
LEFT



FRONT

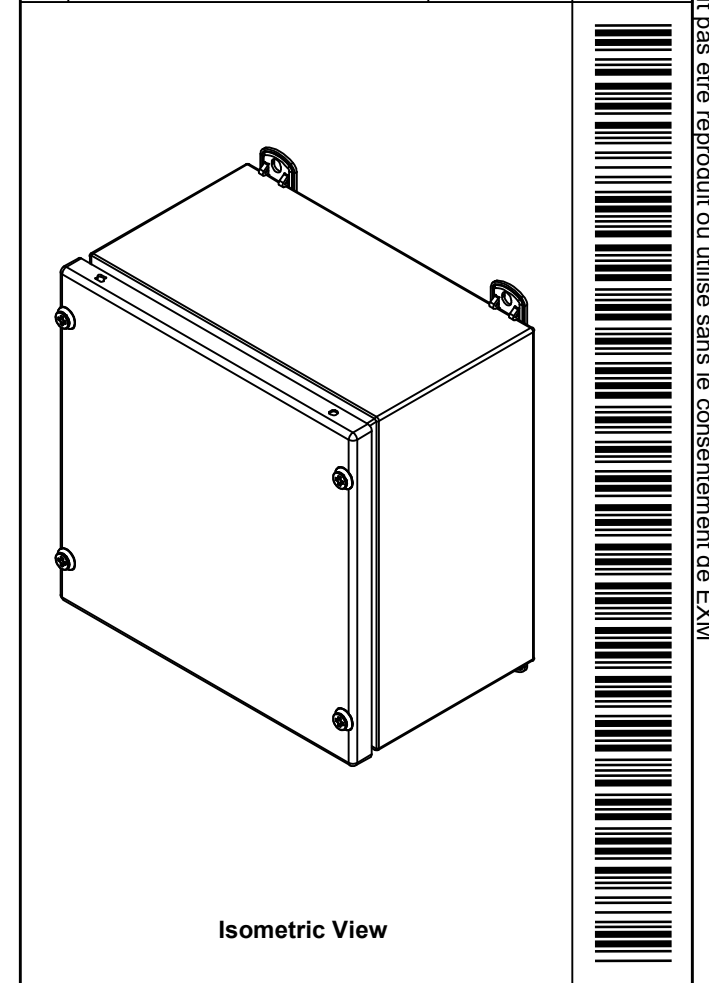


RIGHT




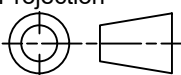
BOTTOM

| No. | Revisions | Date | By/Par |
|-----|-----------|------|--------|
| | | | |
| | | | |
| | | | |
| | | | |



Isometric View



| | | |
|--|-----------------------------------|---|
|  Tél: (450) 979-4373 Fax: (450) 979-4626 www.exmweb.com | | Flatness Aplatissement Max 3.0mm Projection  |
| Customer Client | Date | |
| Drawn By Dessiné Par | BoxCad: BoxCad | Date 29-Jan-26 |
| Material Matière | 16 Ga Stainless Steel 304 (1.4mm) | |
| Color Couleur | Asa-61 Grey | Finish Fini Smooth |
| Description | Detail Rev. | |
| 5412ESSSC 10" x 10" x 6" Assembly | | |
| Part Number Numéro Pièce | Rev. | 1 |
| 5412ESSSC101006P | 0 | 9 |

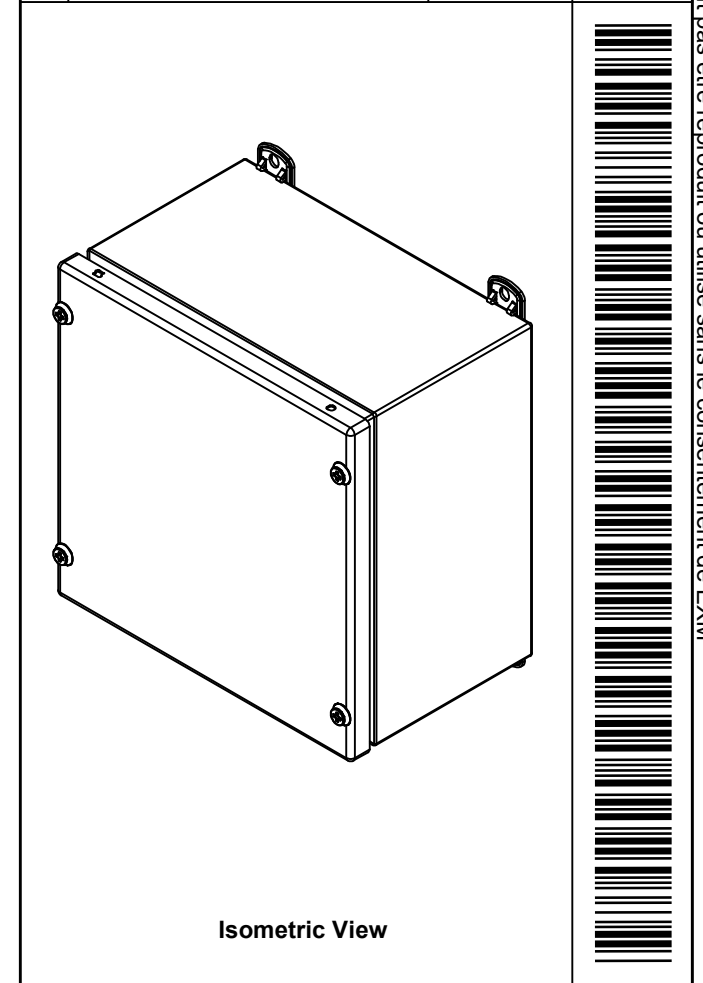
SEE BILL OF MATERIAL ON LAST PAGE

This drawing is confidential and must not be reproduced or used without the consent of EXM

Ce dessin est confidentiel et ne doit pas être reproduit ou utilisé sans le consentement de EXM

| NOTE | |
|------|--|
| ITEM | DESCRIPTION |
| 1 | NEMA 4X Enclosure (IP66) |
| 2 | C/W Standard ground standoffs on box and cover |
| 3 | W/O Standard door stiffener |
| 4 | C/W Standard inner panel (Included) |
| 5 | C/W Standard inner panel mounting standoffs |
| 6 | C/W 885 ESCHMF2 Mounting Feet (Installed) |

| No. | Revisions | Date | By/Par |
|-----|-----------|------|--------|
| | | | |
| | | | |
| | | | |
| | | | |
| | | | |
| | | | |



| | | |
|--------------------------|--|--|
| | Tél: (450) 979-4373 Fax: (450) 979-4626 www.exmweb.com | Flatness Aplatissement Max 3.0mm |
| | Projection | Date |
| Customer Client | BoxCad: BoxCad | Date 29-Jan-26 |
| Material Matière | 16 Ga Stainless Steel 304 (1.4mm) | |
| Color Couleur | Asa-61 Grey | Finish Fini Smooth |
| Description | 5412ESSSC 10" x 10" x 6" Assembly | |
| Part Number Numéro Pièce | 5412ESSSC101006P | Rev. 0 |

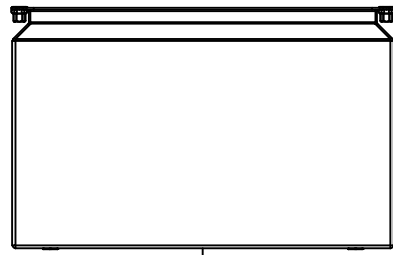
| PACKING | | |
|-----------------|-----|--|
| ITEM | QTY | DESCRIPTION |
| STK-E-04313 | 1 | CARTON 5412 ESCH101006 |
| Plastic bag | 1 | To protect cover surface and inside gasket |
| Packaging label | 1 | White label with product number |
| STK-S-01100 | 1 | ESCH EXM SQUARE STICKER |

| Qty | Part Number | Rev | Description |
|-----|-------------------|-----|-------------------------------|
| 1 | 5412ESSSC101006PC | 0 | 5412ESSSC 10" x 10" Cover |
| 1 | STK-K-02925 | 3 | 5412 ESSSC Accessory Kit |
| 1 | 880 SP1010G | 0 | 880 SP1010G - Inner Panel |
| 1 | 5412ESSSC101006PB | 0 | 5412ESSSC 10" x 10" x 6" Body |

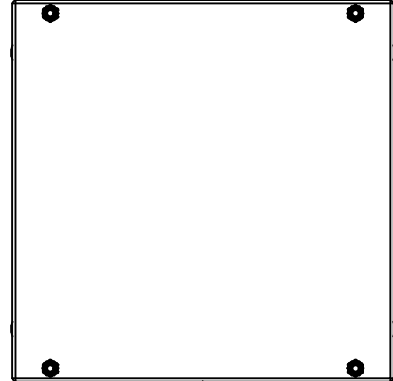
Parts List

This drawing is confidential and must not be reproduced or used without the consent of EXM

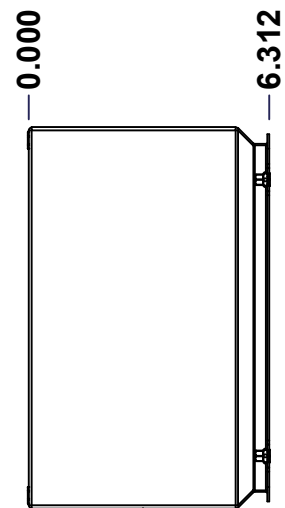
Ce dessin est confidentiel et ne doit pas être reproduit ou utilisé sans le consentement de EXM



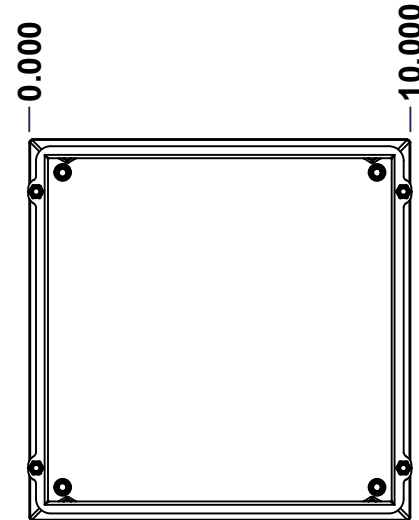
TOP



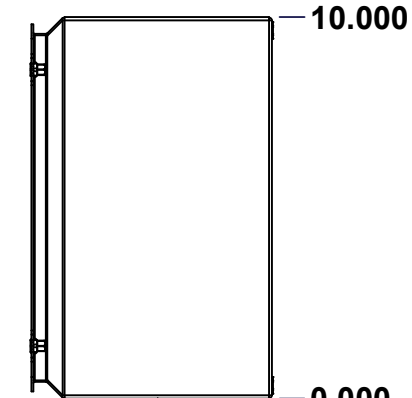
BACK



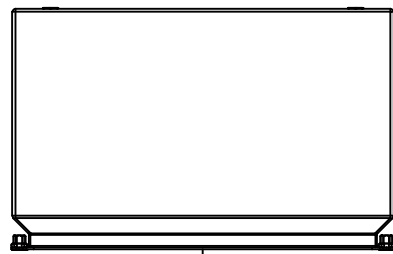
LEFT



FRONT

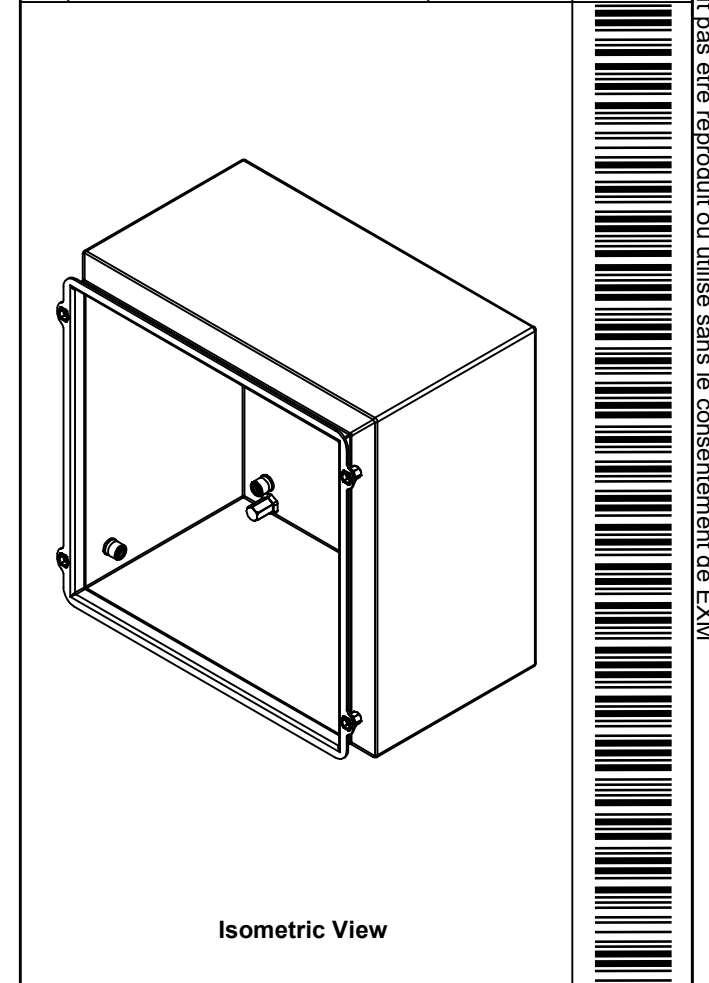



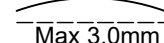
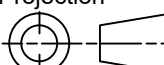
RIGHT



BOTTOM

| No. | Revisions | Date | By/Par |
|-----|-----------|------|--------|
| | | | |
| | | | |
| | | | |
| | | | |



| | | |
|--|-----------------------|--|
|  Tél: (450) 979-4373 Fax: (450) 979-4626 www.exmweb.com | | Flatness Aplatissement  Max 3.0mm |
| Projection  | | Date 29-Jan-26 |
| Customer Client | Date | |
| Drawn By / Dessiné Par: BoxCad: BoxCad | Date: 29-Jan-26 | |
| Material / Matière: 16 Ga Stainless Steel 304 (1.4mm) | Date | |
| Color / Couleur: Asa-61 Grey | Finish / Fini: Smooth | Date |
| Description: 5412ESSSC 10" x 10" x 6" Body | | Detail Rev. |
| Part Number / Numéro Pièce: 5412ESSSC101006PB | Rev. 0 | 3 / 9 |

SEE BILL OF MATERIAL ON LAST PAGE

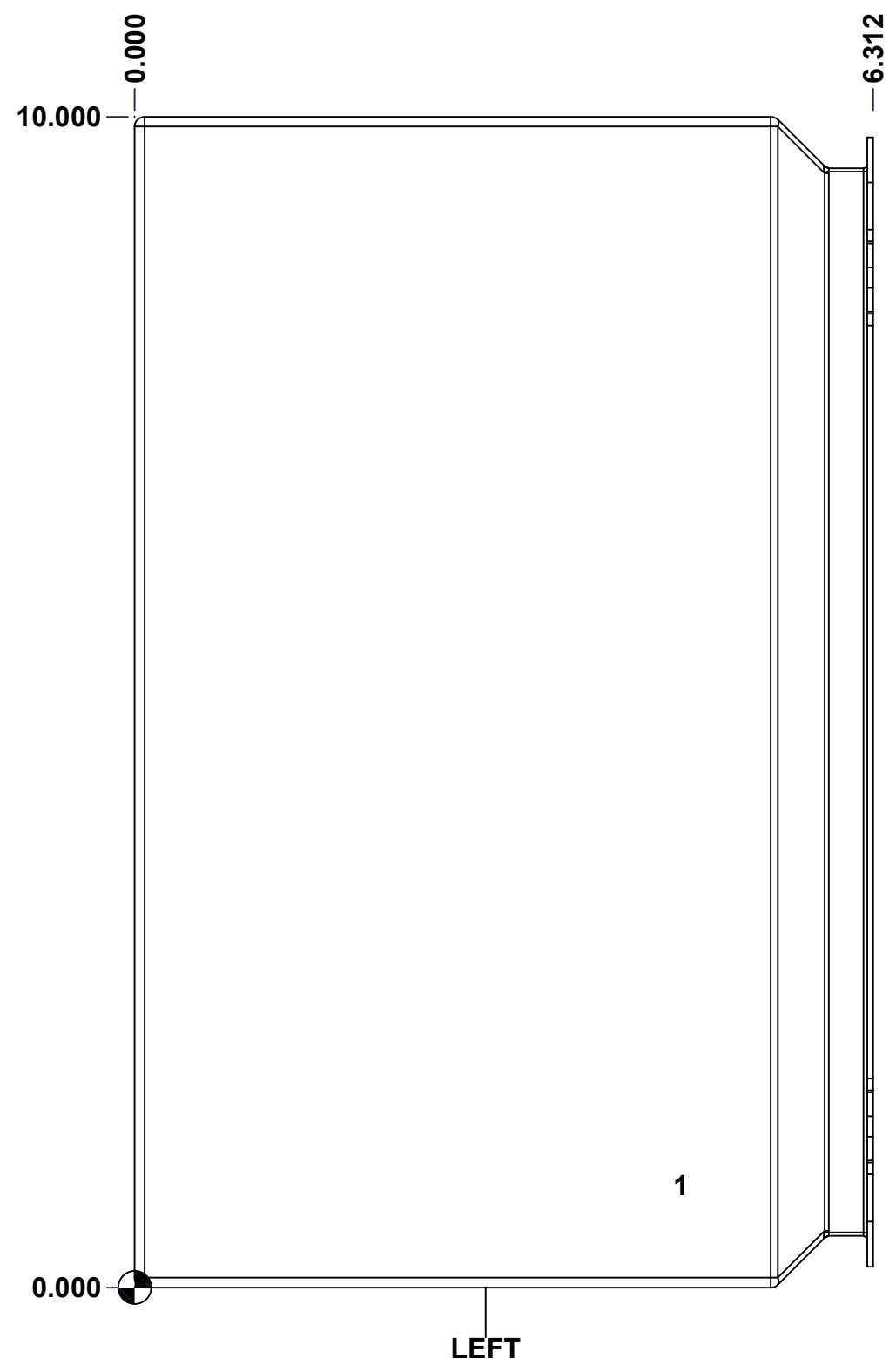
This drawing is confidential and must not be reproduced or used without the consent of EXM

Ce dessin est confidentiel et ne doit pas être reproduit ou utilisé sans le consentement de EXM

STANDARD FEATURES ARE NOT LISTED IN THIS HOLE TABLE

HOLE TABLE - LEFT VIEW (CUSTOM FEATURE ONLY)

| CUT-OUT | XDIM | YDIM | DESCRIPTION |
|---------|-------|-------|-----------------------------|
| 1 | 4.625 | 0.875 | STANDOFF M6 x 10mm (Inside) |



| | | | |
|--|-------------------------------|----------|--------|
| | Description | Status | |
| | 5412ESSSC 10" x 10" x 6" Body | (NULL) | |
| | Part Number Numéro Pièce | Rev. | |
| | 5412ESSSC101006PB | 0 | 4 9 |

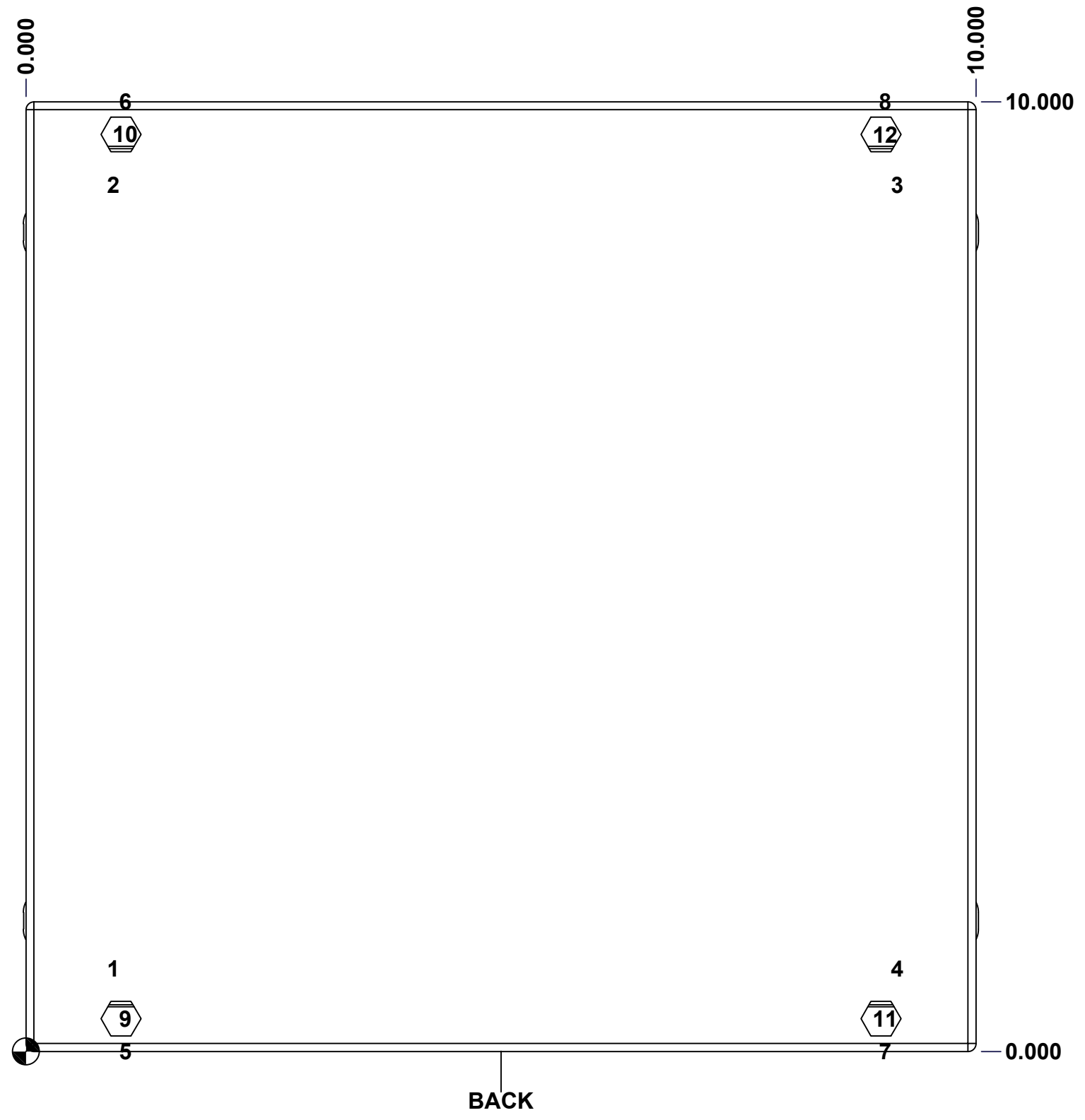
This drawing is confidential and must not be reproduced or used without the consent of EXM

Ce dessin est confidentiel et ne doit pas être reproduit ou utilisé sans le consentement de EXM

STANDARD FEATURES ARE NOT LISTED IN THIS HOLE TABLE

HOLE TABLE - BACK VIEW (CUSTOM FEATURE ONLY)

| CUT-OUT | XDIM | YDIM | DESCRIPTION |
|---------|-------|--------|--------------------------------|
| 1 | 0.875 | 0.875 | IP STANDOFF M6 x 10mm (Inside) |
| 2 | 0.875 | 9.125 | IP STANDOFF M6 x 10mm (Inside) |
| 3 | 9.125 | 9.125 | IP STANDOFF M6 x 10mm (Inside) |
| 4 | 9.125 | 0.875 | IP STANDOFF M6 x 10mm (Inside) |
| ----- | | | |
| 5 | 1.000 | 0.000 | FOOT 885 ESCHMF2 |
| 6 | 1.000 | 10.000 | FOOT 885 ESCHMF2 |
| 7 | 9.000 | 0.000 | FOOT 885 ESCHMF2 |
| 8 | 9.000 | 10.000 | FOOT 885 ESCHMF2 |
| 9 | 1.000 | 0.344 | RIVET NUT M6_FH_CE (Inside) |
| 10 | 1.000 | 9.656 | RIVET NUT M6_FH_CE (Inside) |
| 11 | 9.000 | 0.344 | RIVET NUT M6_FH_CE (Inside) |
| 12 | 9.000 | 9.656 | RIVET NUT M6_FH_CE (Inside) |

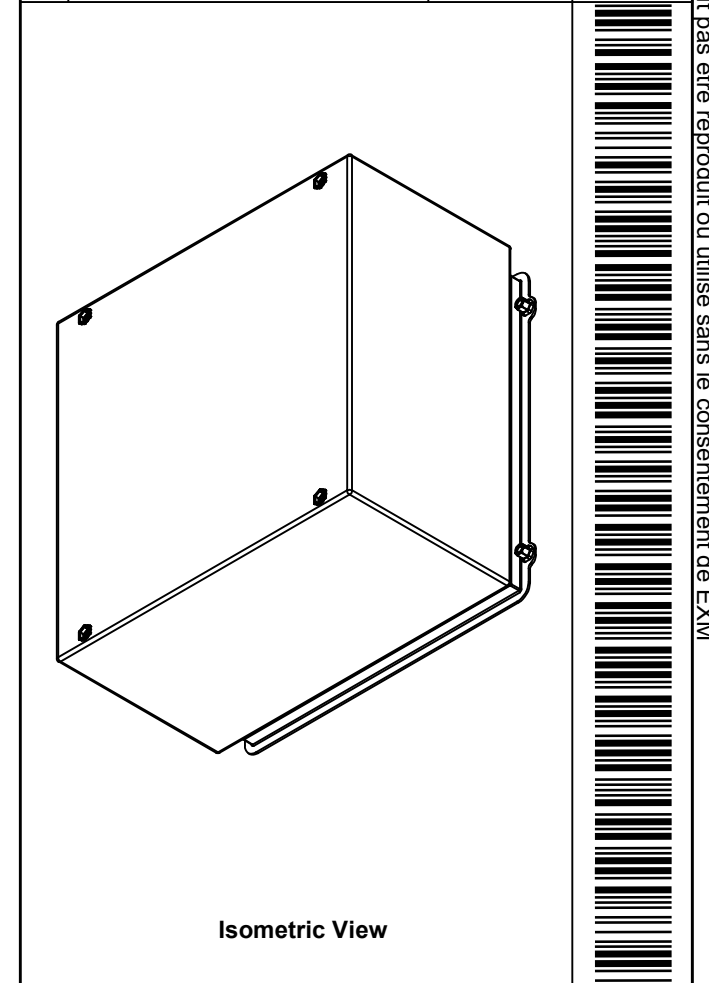



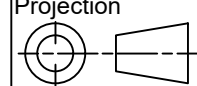
| | | |
|--|-------------------------------|------------------|
| | Description | Status |
| | 5412ESSSC 10" x 10" x 6" Body | (NULL) |
| | Part Number Numéro Pièce | Rev. |
| | 5412ESSSC101006PB | 0 / 5 / 9 |

This drawing is confidential and must not be reproduced or used without the consent of EXM

Ce dessin est confidentiel et ne doit pas être reproduit ou utilisé sans le consentement de EXM

| No. | Revisions | Date | By/Par |
|-----|-----------|------|--------|
| | | | |
| | | | |
| | | | |
| | | | |
| | | | |

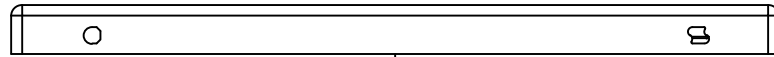


| | | |
|--|-----------------------------------|---|
|  Tél: (450) 979-4373 Fax: (450) 979-4626 www.exmweb.com | | Flatness Aplatissement Max 3.0mm Projection  |
| Customer Client | Date | |
| Drawn By Dessiné Par | BoxCad: BoxCad | Date 29-Jan-26 |
| Material Matière | 16 Ga Stainless Steel 304 (1.4mm) | |
| Color Couleur | Asa-61 Grey | Finish Fini Smooth |
| Description | | Detail Rev. |
| 5412ESSSC 10" x 10" x 6" Body | | |
| Part Number Numéro Pièce | Rev. | 6 |
| 5412ESSSC101006PB | 0 | 9 |

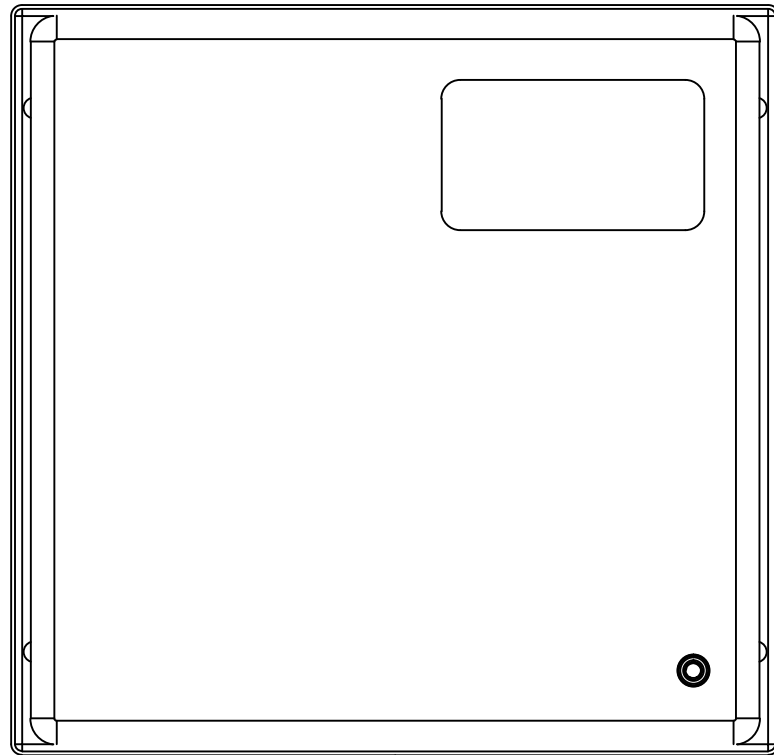
| Qty | Part Number | Rev | Description |
|------------|-----------------------|-----|--|
| 4 | RIVET_NUT_SS_M6_FH_CE | 0 | Stainless Steel Rivet Nut M6 (Low Profile Close End) |
| 1 | STK-P-02400S | 0 | Powder Paint (Asa-61 Grey / Smooth) |
| 4 | RIVET_NUT_SS_M5_FH_OE | 0 | Stainless Steel Rivet Nut M5 (Low Profile Open End) |
| 1 | 5412ESSSC101006PB-P | 0 | 5412ESSSC 10" x 10" x 6" Body Part |
| 5 | STK-Q-08500 | 4 | Stainless Steel Standoff M6 x 10mm |
| Parts List | | | |

This drawing is confidential and must not be reproduced or used without the consent of EXM

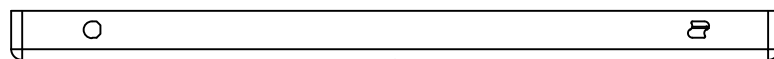
Ce dessin est confidentiel et ne doit pas être reproduit ou utilisé sans le consentement de EXM



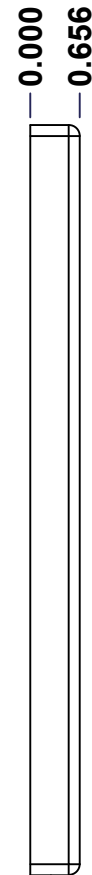
TOP



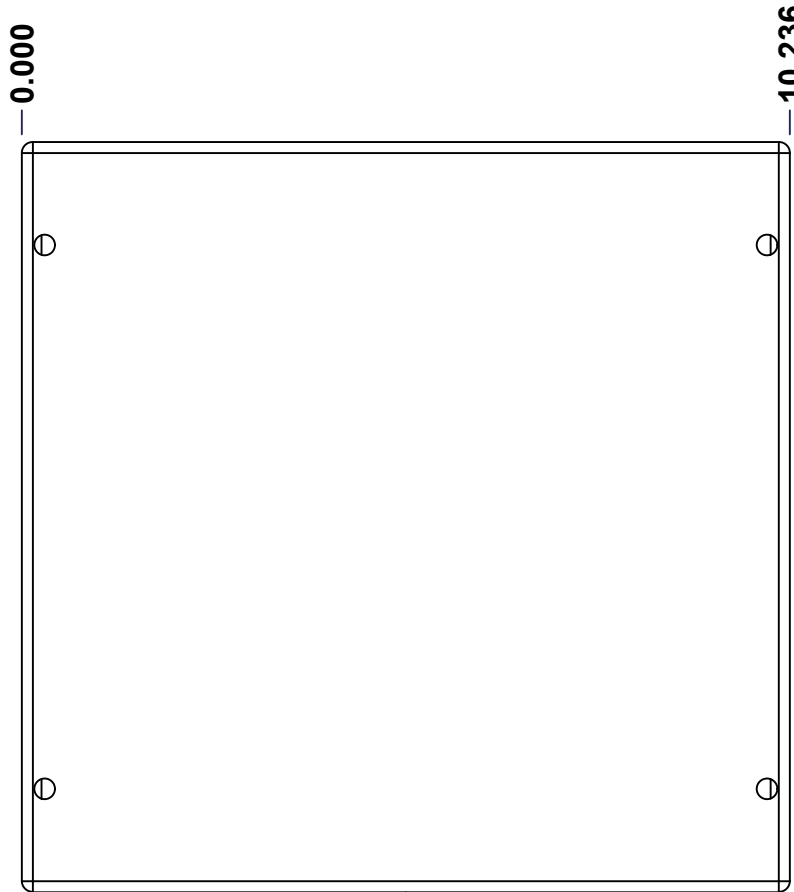
BACK



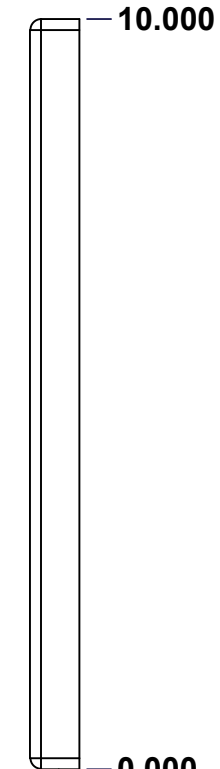
BOTTOM



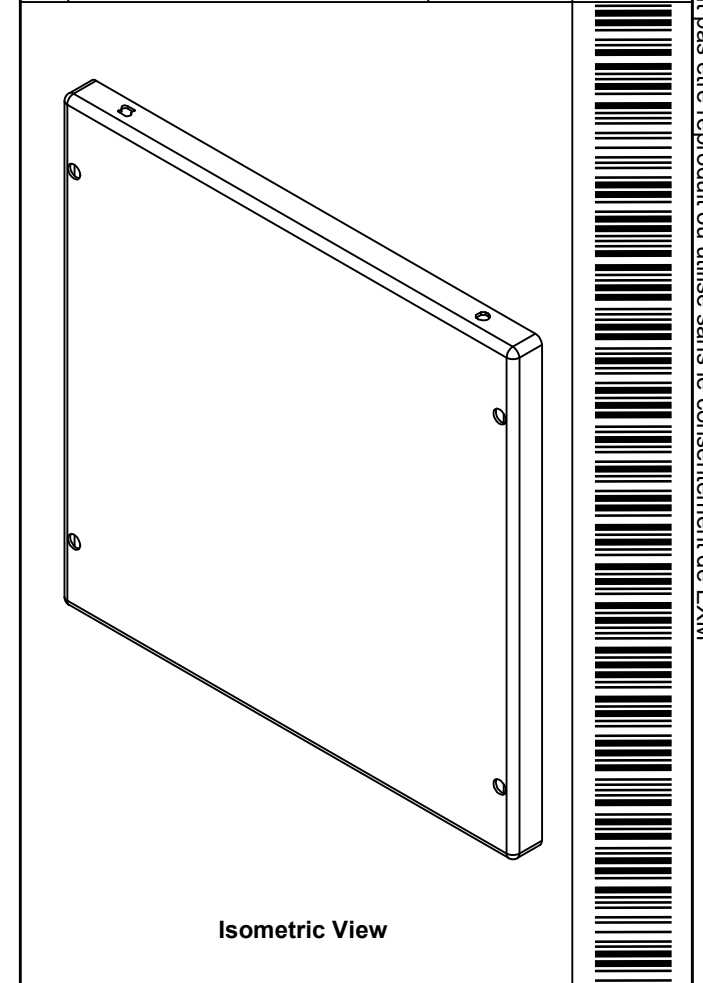
LEFT



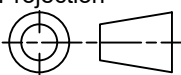
FRONT



RIGHT



Isometric View

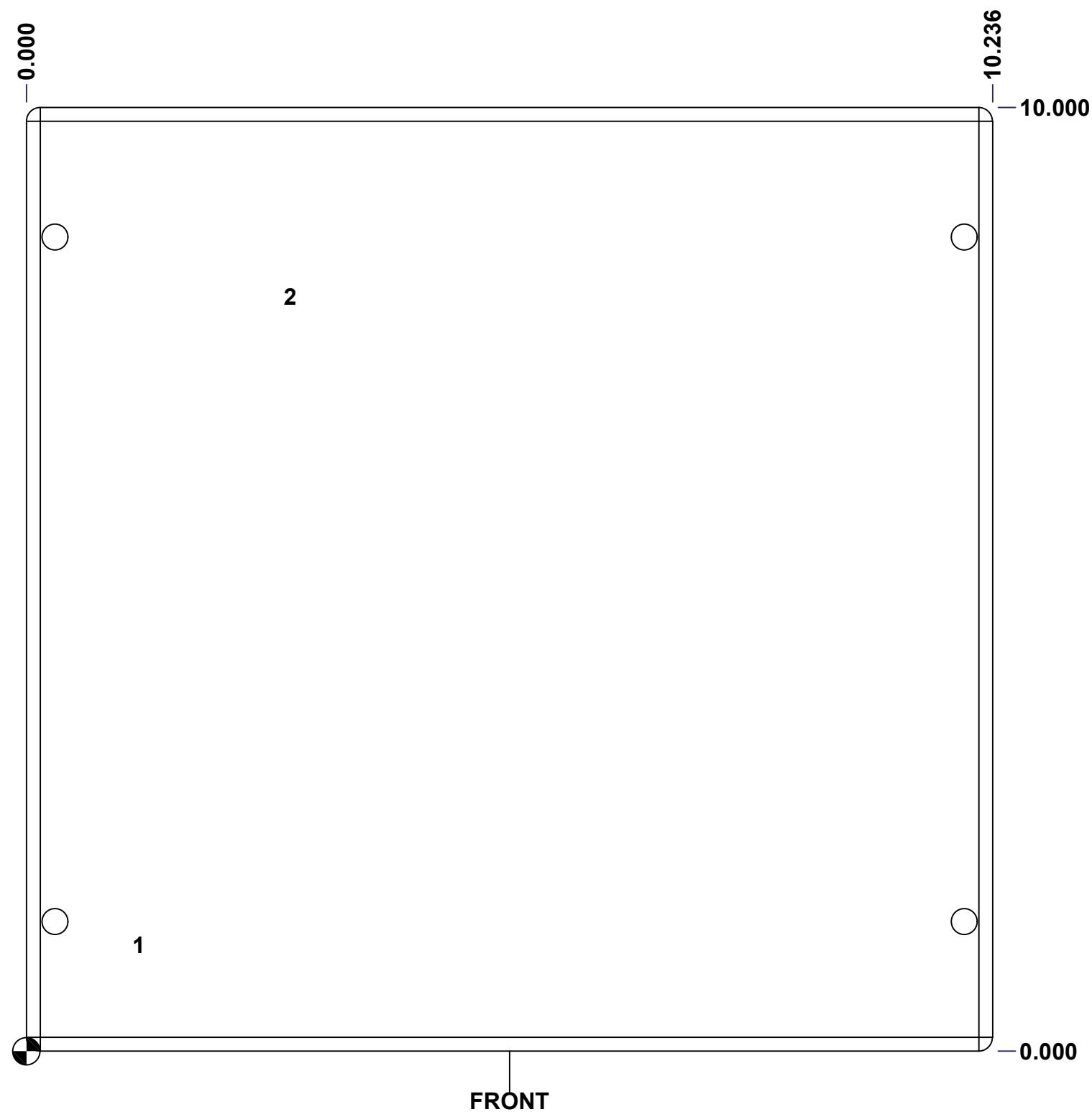
| | | |
|--|-----------------------------------|---|
|  Tél: (450) 979-4373 Fax: (450) 979-4626 www.exmweb.com | | Flatness Aplatissement Max 3.0mm Projection  |
| Customer Client | Date | |
| Drawn By Dessiné Par | BoxCad: BoxCad | Date 29-Jan-26 |
| Material Matière | 16 Ga Stainless Steel 304 (1.4mm) | |
| Color Couleur | Asa-61 Grey | Finish Fini Smooth |
| Description | Detail Rev. | |
| 5412ESSSC 10" x 10" Cover | | |
| Part Number Numéro Pièce | Rev. 0 | 7 9 |
| 5412ESSSC101006PC | | |

SEE BILL OF MATERIAL ON LAST PAGE

This drawing is confidential and must not be reproduced or used without the consent of EXM

Ce dessin est confidentiel et ne doit pas être reproduit ou utilisé sans le consentement de EXM

| STANDARD FEATURES ARE NOT LISTED IN THIS HOLE TABLE | | | |
|---|-------|-------|-----------------------------|
| HOLE TABLE - FRONT VIEW (CUSTOM FEATURE ONLY) | | | |
| CUT-OUT | XDIM | YDIM | DESCRIPTION |
| 1 | 1.145 | 1.125 | STANDOFF M6 x 10mm (Inside) |
| 2 | 2.750 | 8.000 | LABEL_EXM (Inside) |

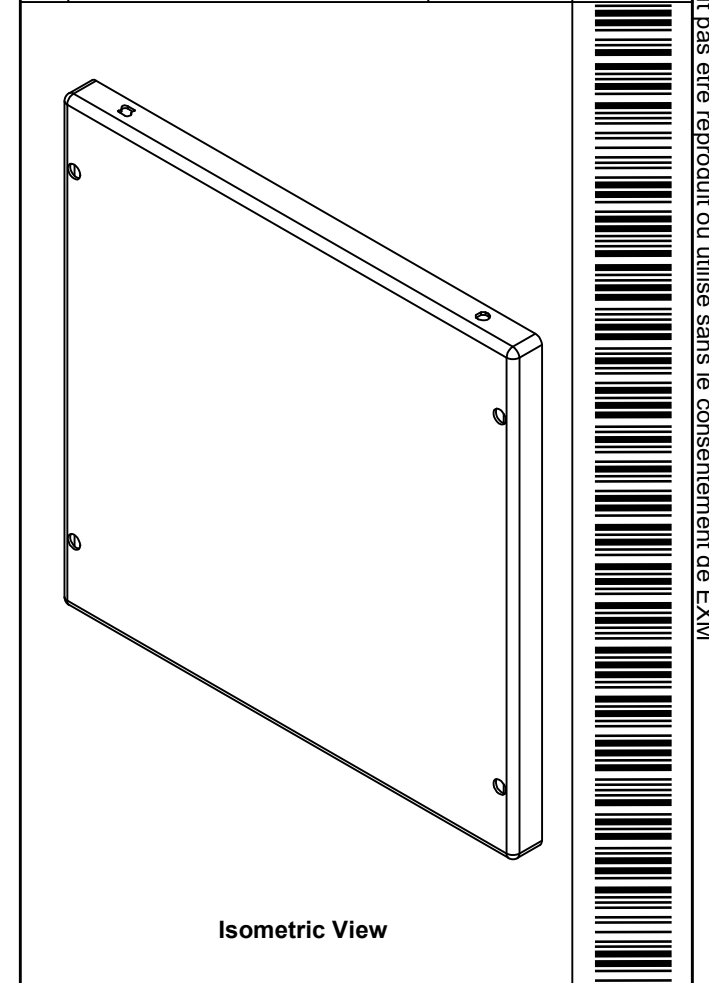


| | | | |
|--|-----------------------------|----------|--------|
| | Description | Status | |
| | 5412ESSSC 10" x 10" Cover | (NULL) | |
| | Part Number Numéro Pièce | Rev. | |
| | 5412ESSSC101006PC | 0 | 8 9 |


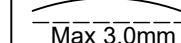
This drawing is confidential and must not be reproduced or used without the consent of EXM

Ce dessin est confidentiel et ne doit pas être reproduit ou utilisé sans le consentement de EXM

| No. | Revisions | Date | By/Par |
|-----|-----------|------|--------|
| | | | |
| | | | |
| | | | |
| | | | |
| | | | |



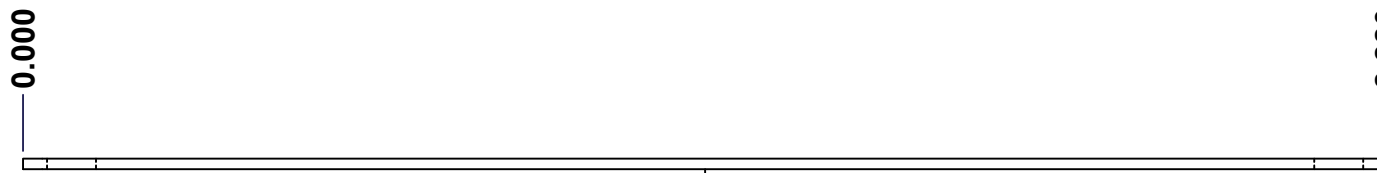
Isometric View

| | | |
|--|-----------------------|--|
|  Tél: (450) 979-4373 Fax: (450) 979-4626 www.exmweb.com | | Flatness Aplatissement  Max 3.0mm |
| Customer Client | | Date |
| Drawn By / Dessiné Par: BoxCad: BoxCad | | Date: 29-Jan-26 |
| Material / Matière: 16 Ga Stainless Steel 304 (1.4mm) | | |
| Color / Couleur: Asa-61 Grey | Finish / Fini: Smooth | |
| Description: 5412ESSSC 10" x 10" Cover | | Detail Rev. |
| Part Number / Numéro Pièce: 5412ESSSC101006PC | | Rev. 0 / 9 |

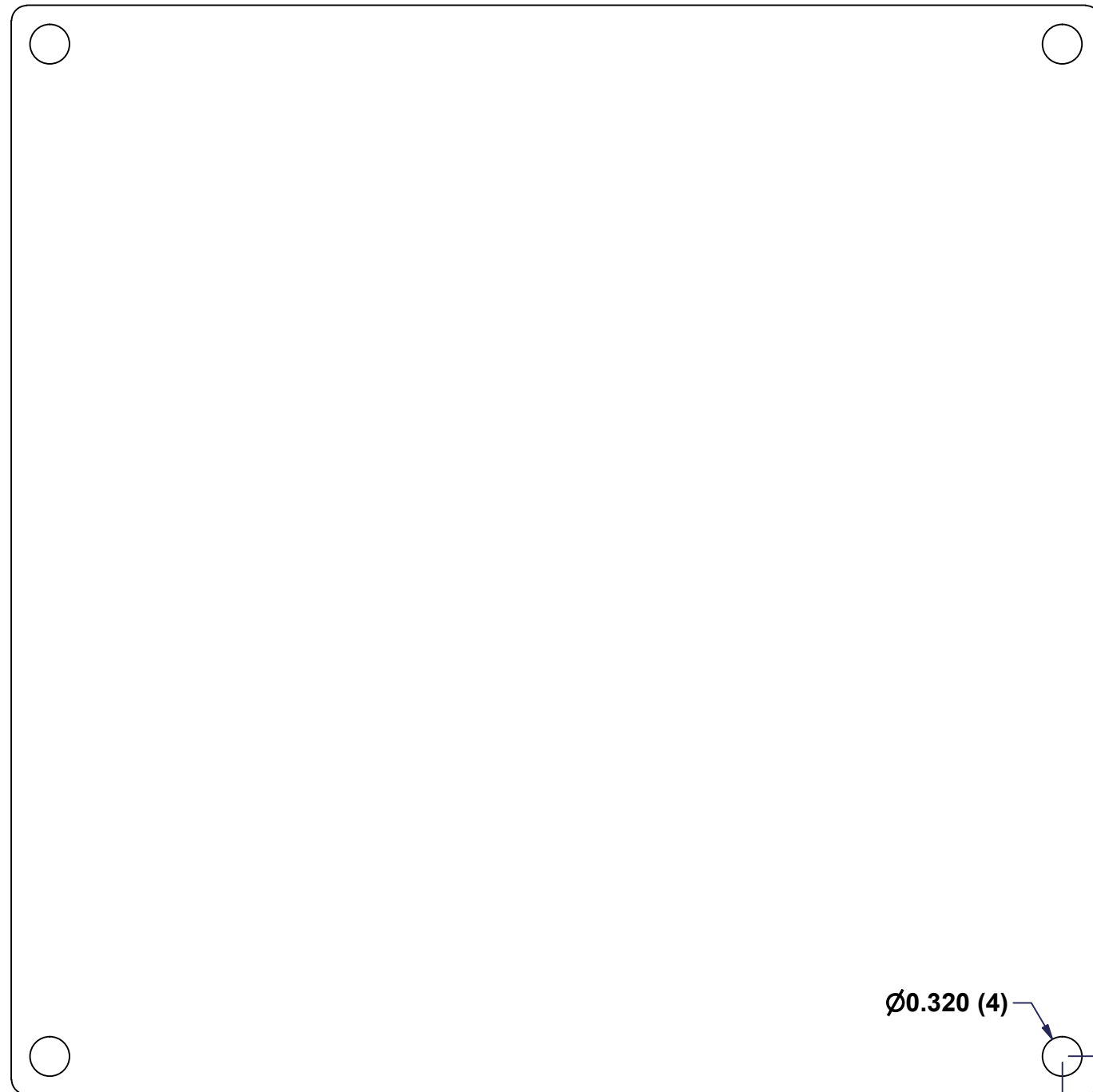
| QTY | Part Number | Rev | Description |
|------------|---------------------|-----|--|
| 1 | STK-S-00100 | 0 | 3.5" x 2" Silver Milar Flexcon Sticker |
| 1 | STK-Q-08500 | 4 | Stainless Steel Standoff M6 x 10mm |
| 1 | STK-P-02400S | 0 | Powder Paint (Asa-61 Grey / Smooth) |
| 1 | 5412ESSSC101006PG | 0 | 5412ESSSC 10" x 10" Gasket |
| 1 | 5412ESSSC101006PC-P | 0 | 5412ESSSC 10" x 10" Cover Part |
| Parts List | | | |

This drawing is confidential and must not be reproduced or used without the consent of EXM

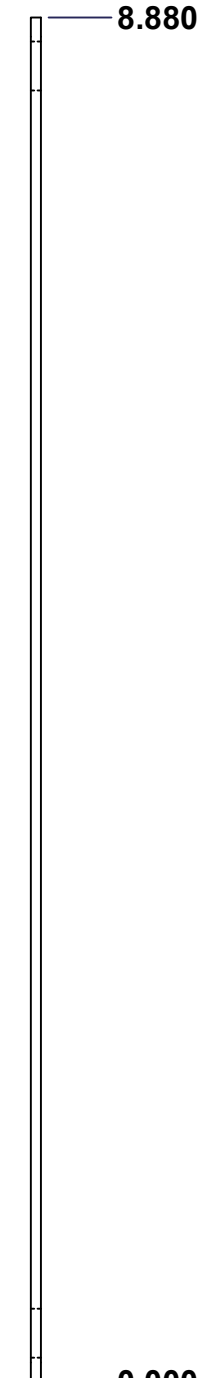
Ce dessin est confidentiel et ne doit pas être reproduit ou utilisé sans le consentement de EXM



TOP

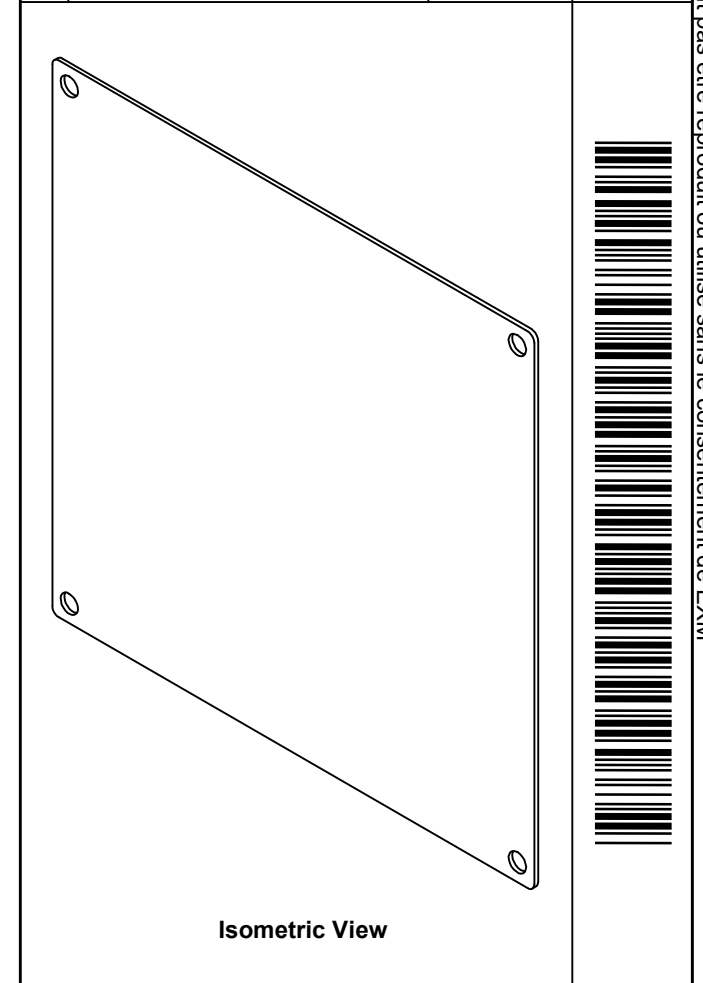


FRONT



RIGHT

| No. | Revisions | Date | By/Par |
|-----|-----------|------|--------|
| | | | |
| | | | |
| | | | |
| | | | |
| | | | |



Isometric View

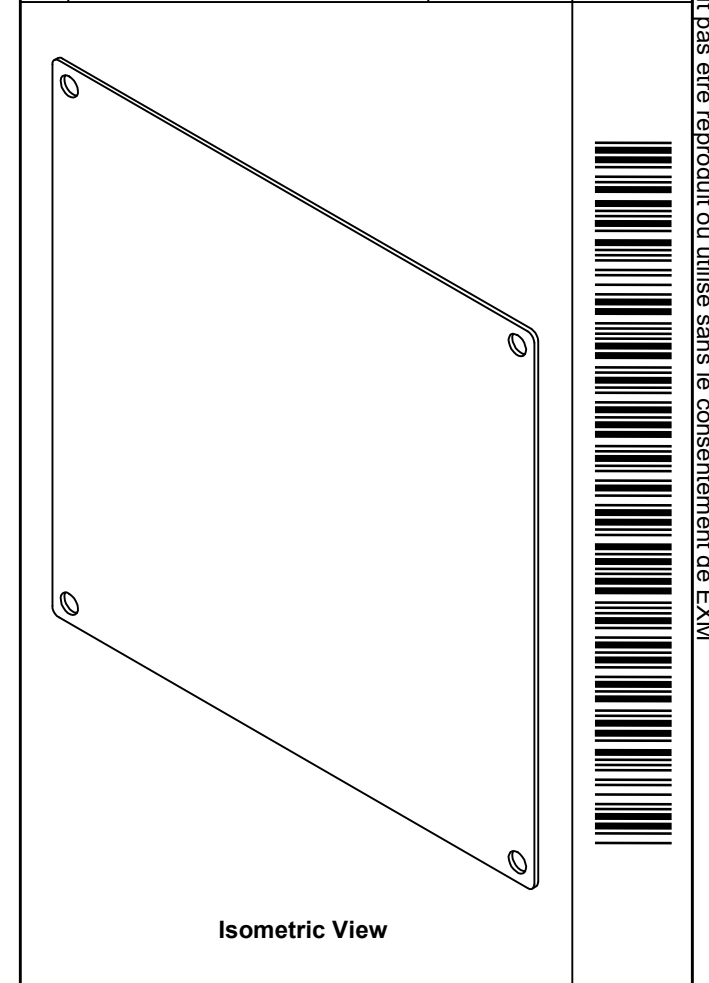
| | |
|---|--|
| <p>Tél: (450) 979-4373 Fax: (450) 979-4626 www.exmweb.com</p> | <p>Flatness Aplatissement</p> <p>Max 3.0mm</p> |
| | <p>Projection</p> |
| Customer Client | Date |
| Drawn By Dessiné Par BoxCad | Date 23-Jan-07 |
| Material Matière 14 Ga Galvanized (1.7mm) | |
| Color Couleur Unpainted | Finish Fini Galvanized |
| Description 880 SP1010G - Inner Panel | |
| Detail Rev. | |
| Part Number Numéro Pièce 880 SP1010G | Rev. 1 0 |
| 2 | |


SEE BILL OF MATERIAL ON LAST PAGE

This drawing is confidential and must not be reproduced or used without the consent of EXM

Ce dessin est confidentiel et ne doit pas être reproduit ou utilisé sans le consentement de EXM

| No. | Revisions | Date | By/Par |
|-----|-----------|------|--------|
| | | | |
| | | | |
| | | | |
| | | | |
| | | | |



| | | |
|--|---------------------------|--|
|  Tél: (450) 979-4373 Fax: (450) 979-4626 www.exmweb.com | | Flatness Aplatissement Max 3.0mm |
| Customer Client | | Date |
| Drawn By / Dessiné Par: BoxCad | | Date: 23-Jan-07 |
| Material / Matière: 14 Ga Galvanized (1.7mm) | | |
| Color / Couleur: Unpainted | Finish / Fini: Galvanized | |
| Description: 880 SP1010G - Inner Panel | | Detail Rev. |
| Part Number / Numéro Pièce: 880 SP1010G | | Rev. 0 / 2 |

| Qty | Part Number | Rev | Description |
|------------|---------------|-----|--------------------------------|
| 1 | 880 SP1010G-P | 0 | 880 SP1010G - Inner Panel Part |
| Parts List | | | |