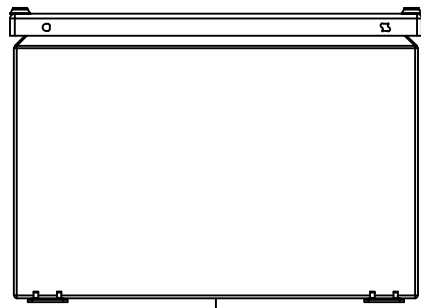
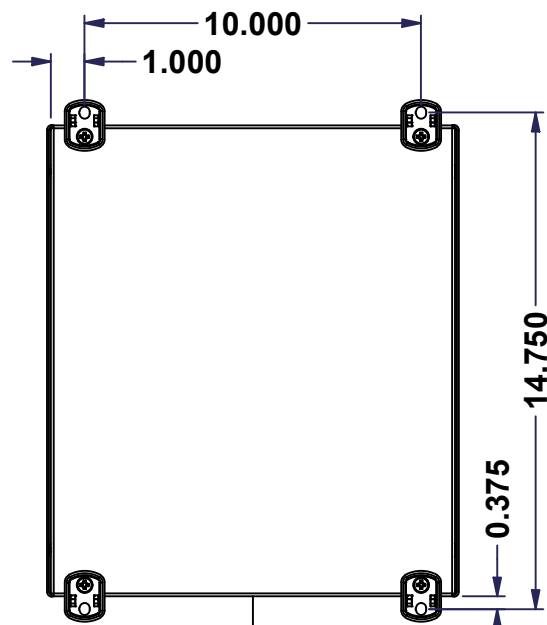


This drawing is confidential and must not be reproduced or used without the consent of EXM

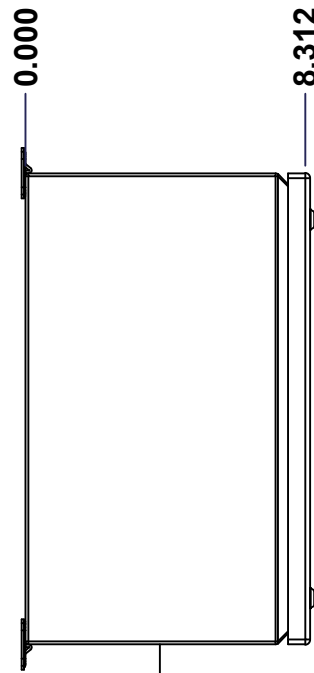
Ce dessin est confidentiel et ne doit pas être reproduit ou utilisé sans le consentement de EXM



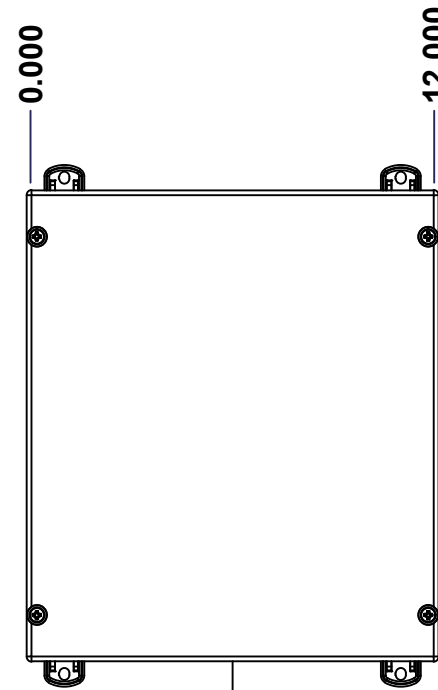
TOP



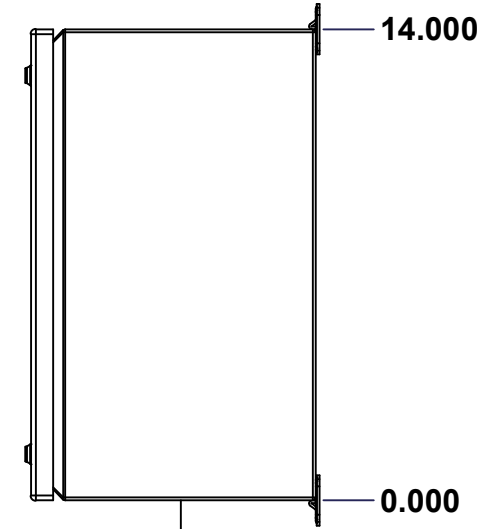
BACK



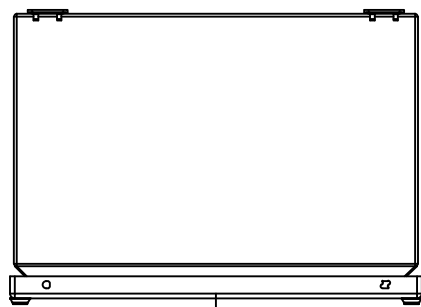
LEFT



FRONT

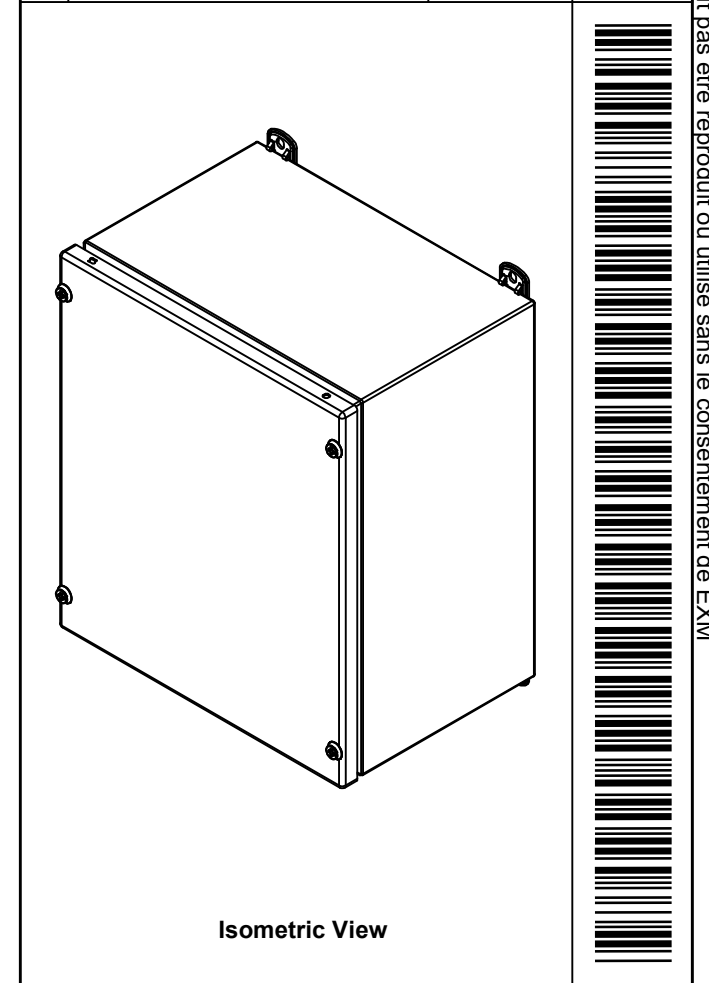


RIGHT




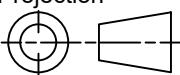
BOTTOM

| No. | Revisions | Date | By/Par |
|-----|-----------|------|--------|
| | | | |
| | | | |
| | | | |
| | | | |



Isometric View



| | | |
|--|-----------------------------------|---|
|  Tél: (450) 979-4373 Fax: (450) 979-4626 www.exmweb.com | | Flatness Aplatissement Max 3.0mm Projection  |
| Customer Client | Date | |
| Drawn By Dessiné Par | BoxCad: BoxCad | Date 29-Jan-26 |
| Material Matière | 16 Ga Stainless Steel 304 (1.4mm) | |
| Color Couleur | Asa-61 Grey | Finish Fini Smooth |
| Description 5412ESSSC 14" x 12" x 8" Assembly | | Detail Rev. |
| Part Number Numéro Pièce | Rev. 0 | 1/9 |

SEE BILL OF MATERIAL ON LAST PAGE

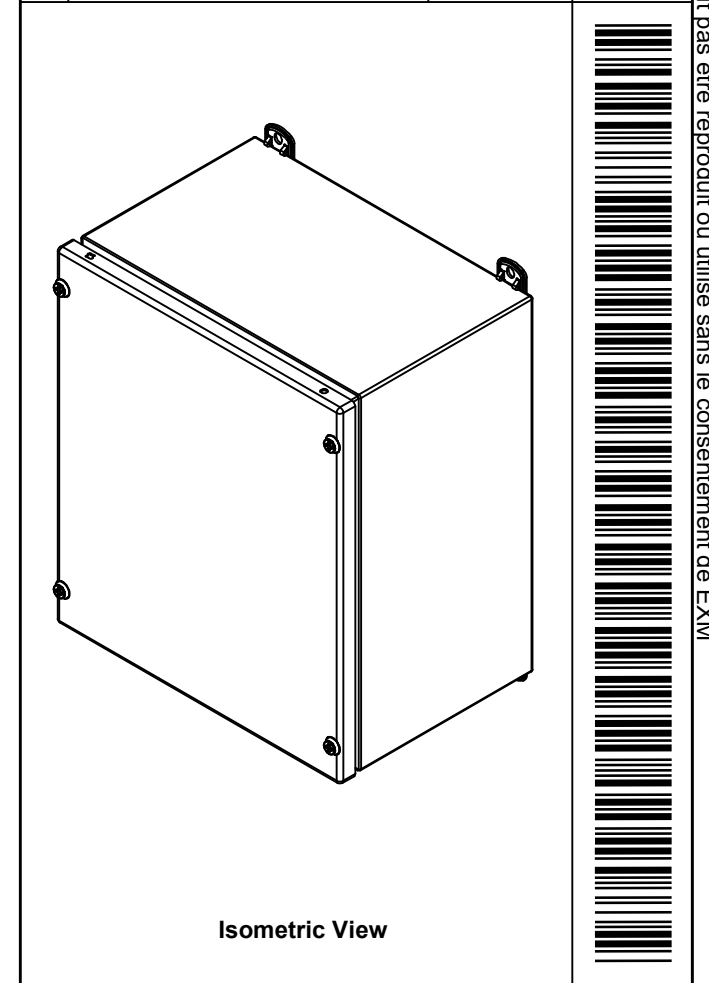
5412ESSSC141208P

This drawing is confidential and must not be reproduced or used without the consent of EXM

Ce dessin est confidentiel et ne doit pas être reproduit ou utilisé sans le consentement de EXM

| NOTE | |
|------|--|
| ITEM | DESCRIPTION |
| 1 | NEMA 4X Enclosure (IP66) |
| 2 | C/W Standard ground standoffs on box and cover |
| 3 | W/O Standard door stiffener |
| 4 | C/W Standard inner panel (Included) |
| 5 | C/W Standard inner panel mounting standoffs |
| 6 | C/W 885 ESCHMF2 Mounting Feet (Installed) |

| No. | Revisions | Date | By/Par |
|-----|-----------|------|--------|
| | | | |
| | | | |
| | | | |
| | | | |
| | | | |
| | | | |



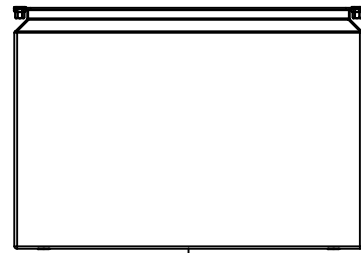
| | | |
|--|------------------------------|--|
| Tél: (450) 979-4373 Fax: (450) 979-4626 www.exmweb.com | | Flatness Aplatissement Max 3.0mm Projection |
| Customer Client | Date | |
| Drawn By / Dessiné Par: BoxCad: BoxCad | Date: 29-Jan-26 | |
| Material / Matière: 16 Ga Stainless Steel 304 (1.4mm) | Color / Couleur: Asa-61 Grey | |
| | Finish / Fini: Smooth | |
| Description: 5412ESSC 14" x 12" x 8" Assembly | | Detail Rev. |
| Part Number / Numéro Pièce: 5412ESSC141208P | | Rev. 0 |
| | | 2 / 9 |

| PACKING | | |
|-----------------|-----|--|
| ITEM | QTY | DESCRIPTION |
| STK-E-04323 | 1 | CARTON 5412 ESCH141208 |
| Plastic bag | 1 | To protect cover surface and inside gasket |
| Packaging label | 1 | White label with product number |
| STK-S-01100 | 1 | ESCH EXM SQUARE STICKER |

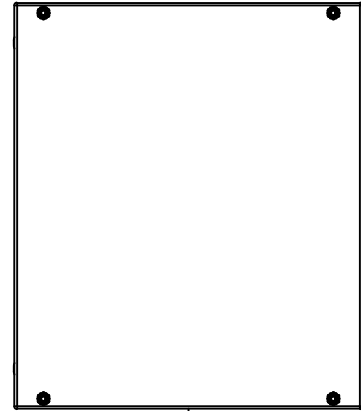
| Qty | Part Number | Rev | Description |
|------------|------------------|-----|------------------------------|
| 1 | 5412ESSC141208PC | 0 | 5412ESSC 14" x 12" Cover |
| 1 | STK-K-02925 | 3 | 5412 ESSC Accessory Kit |
| 1 | 880 SP1412G | 0 | 880 SP1412G - Inner Panel |
| 1 | 5412ESSC141208PB | 0 | 5412ESSC 14" x 12" x 8" Body |
| Parts List | | | |

This drawing is confidential and must not be reproduced or used without the consent of EXM

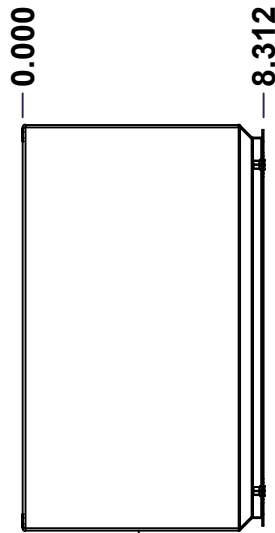
Ce dessin est confidentiel et ne doit pas être reproduit ou utilisé sans le consentement de EXM



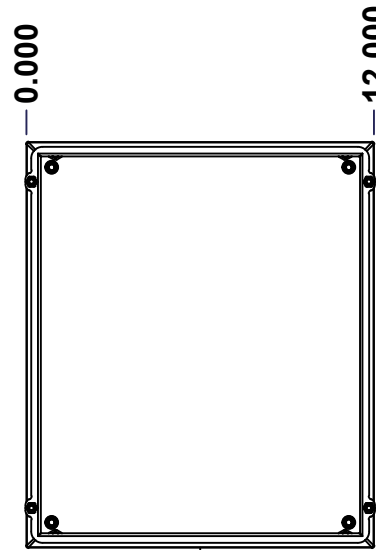
TOP



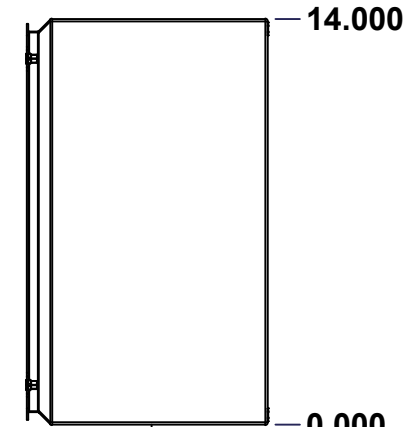
BACK



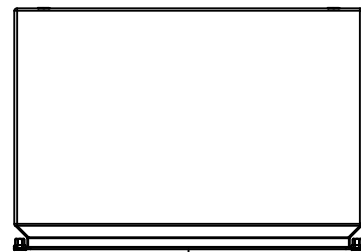
LEFT



FRONT

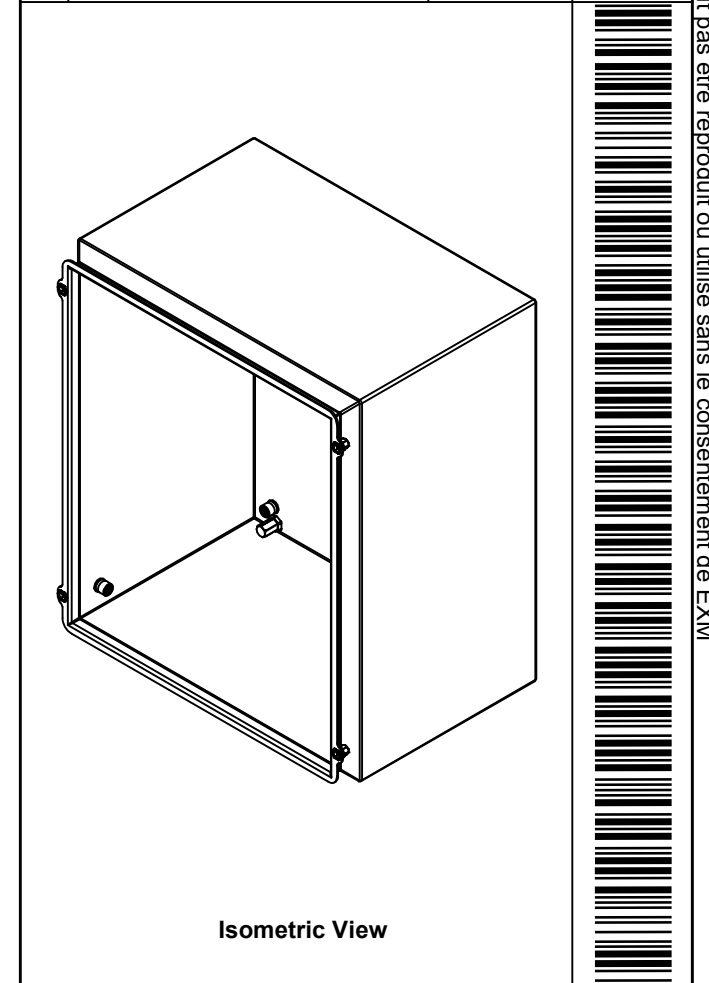



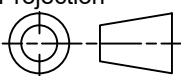
RIGHT



BOTTOM

| No. | Revisions | Date | By/Par |
|-----|-----------|------|--------|
| | | | |
| | | | |
| | | | |
| | | | |

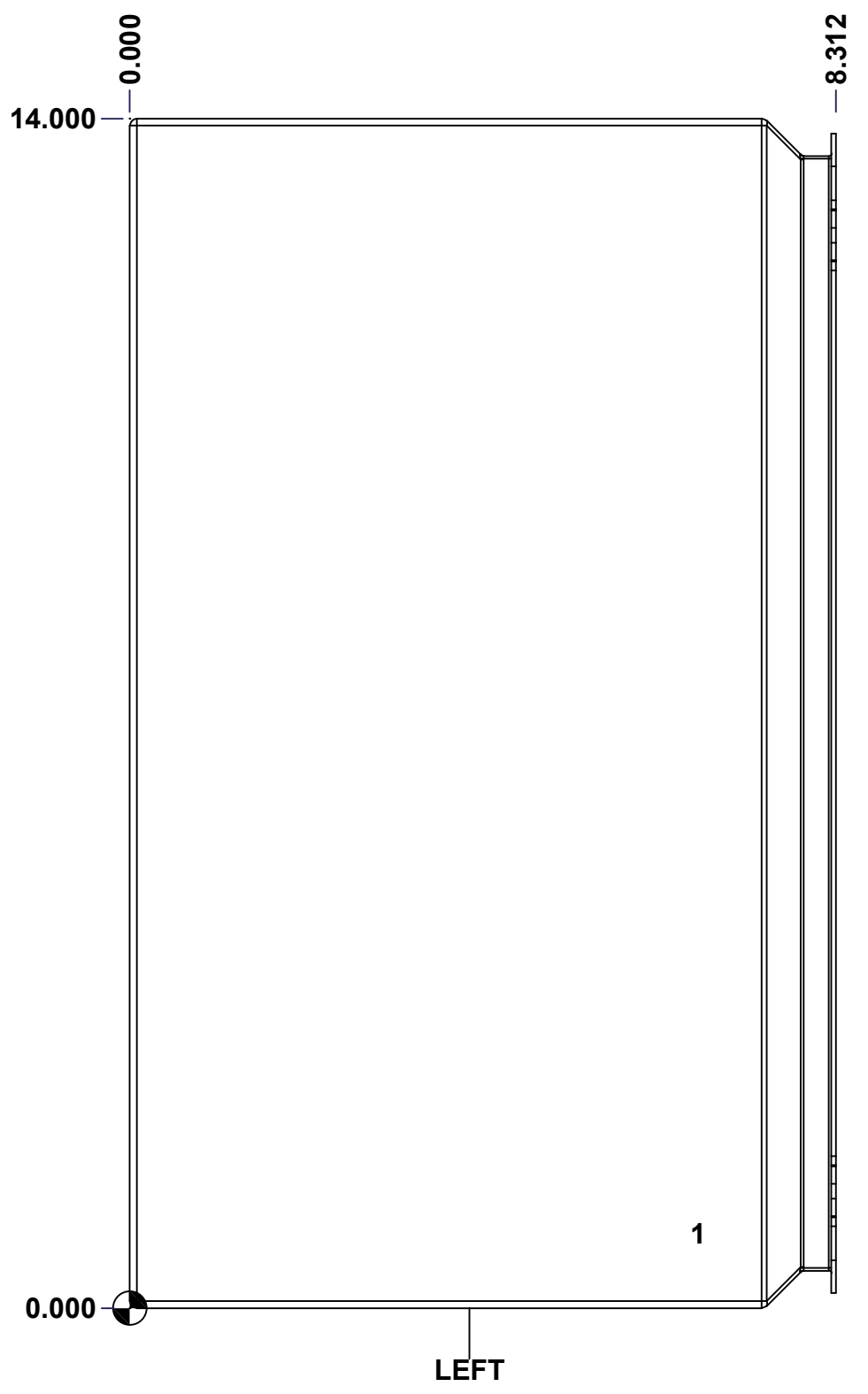


| | | |
|--|-----------------------------------|---|
|  Tél: (450) 979-4373 Fax: (450) 979-4626 www.exmweb.com | | Flatness Aplatissement Max 3.0mm Projection  |
| Customer Client | Date | |
| Drawn By Dessiné Par | BoxCad: BoxCad | Date 29-Jan-26 |
| Material Matière | 16 Ga Stainless Steel 304 (1.4mm) | |
| Color Couleur | Asa-61 Grey | Finish Fini Smooth |
| Description | Detail Rev. | |
| 5412ESSC 14" x 12" x 8" Body | | |
| Part Number Numéro Pièce | Rev. 0 | 3 9 |
| SEE BILL OF MATERIAL ON LAST PAGE | | |
| 5412ESSC141208PB | | |

This drawing is confidential and must not be reproduced or used without the consent of EXM

Ce dessin est confidentiel et ne doit pas être reproduit ou utilisé sans le consentement de EXM

| STANDARD FEATURES ARE NOT LISTED IN THIS HOLE TABLE | | | |
|--|-------|-------|-----------------------------|
| HOLE TABLE - LEFT VIEW (CUSTOM FEATURE ONLY) | | | |
| CUT-OUT | XDIM | YDIM | DESCRIPTION |
| 1 | 6.625 | 0.875 | STANDOFF M6 x 10mm (Inside) |



| | | | |
|--|-------------------------------|----------|--------|
| | Description | Status | |
| | 5412ESSSC 14" x 12" x 8" Body | (NULL) | |
| | Part Number Numéro Pièce | Rev. | |
| | 5412ESSSC141208PB | 0 | 4 9 |

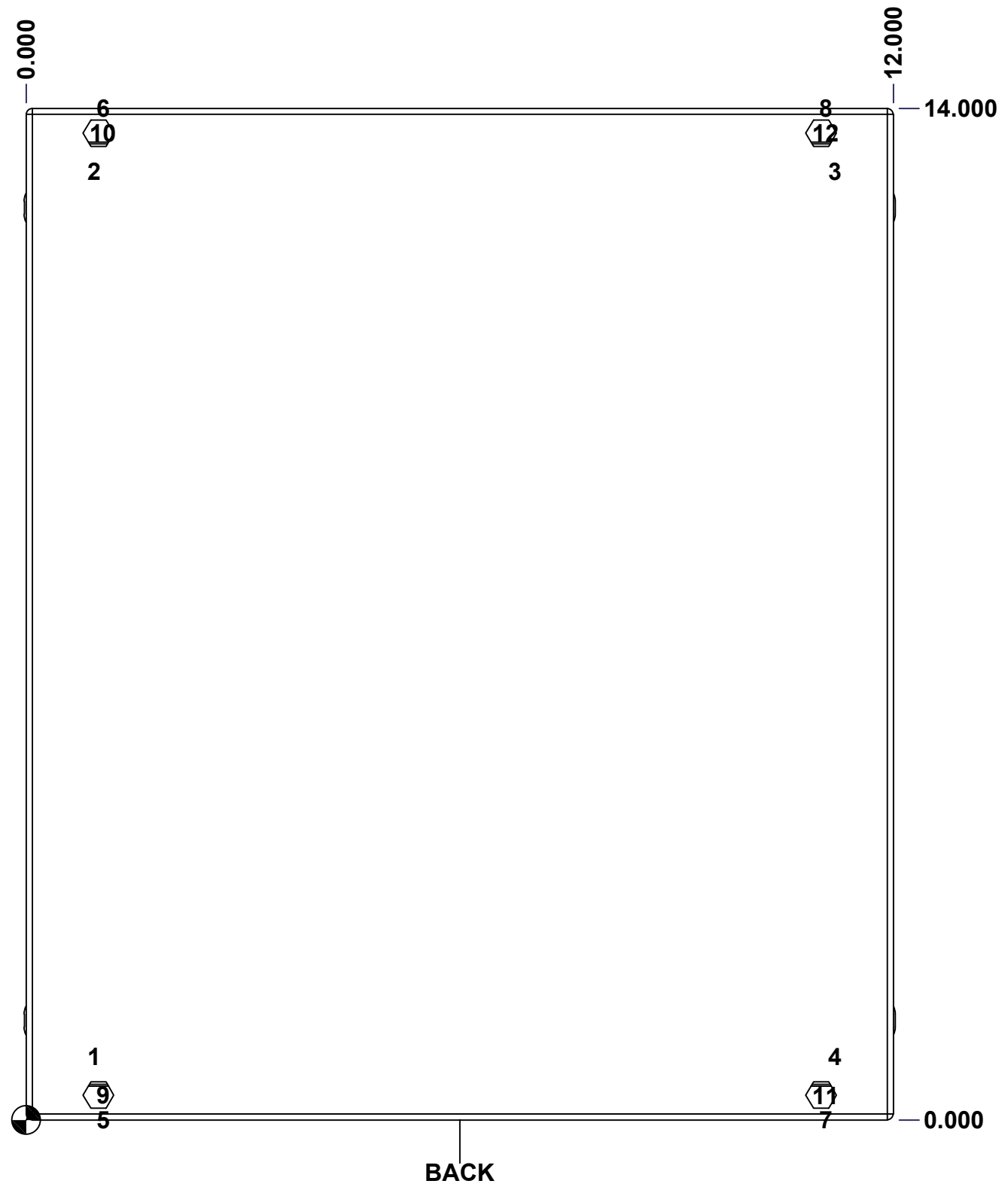
This drawing is confidential and must not be reproduced or used without the consent of EXM

Ce dessin est confidentiel et ne doit pas être reproduit ou utilisé sans le consentement de EXM

STANDARD FEATURES ARE NOT LISTED IN THIS HOLE TABLE

HOLE TABLE - BACK VIEW (CUSTOM FEATURE ONLY)

| CUT-OUT | XDIM | YDIM | DESCRIPTION |
|---------|--------|--------|--------------------------------|
| 1 | 0.875 | 0.875 | IP STANDOFF M6 x 10mm (Inside) |
| 2 | 0.875 | 13.125 | IP STANDOFF M6 x 10mm (Inside) |
| 3 | 11.125 | 13.125 | IP STANDOFF M6 x 10mm (Inside) |
| 4 | 11.125 | 0.875 | IP STANDOFF M6 x 10mm (Inside) |
| ----- | | | |
| 5 | 1.000 | 0.000 | FOOT 885 ESCHMF2 |
| 6 | 1.000 | 14.000 | FOOT 885 ESCHMF2 |
| 7 | 11.000 | 0.000 | FOOT 885 ESCHMF2 |
| 8 | 11.000 | 14.000 | FOOT 885 ESCHMF2 |
| 9 | 1.000 | 0.344 | RIVET NUT M6_FH_CE (Inside) |
| 10 | 1.000 | 13.656 | RIVET NUT M6_FH_CE (Inside) |
| 11 | 11.000 | 0.344 | RIVET NUT M6_FH_CE (Inside) |
| 12 | 11.000 | 13.656 | RIVET NUT M6_FH_CE (Inside) |

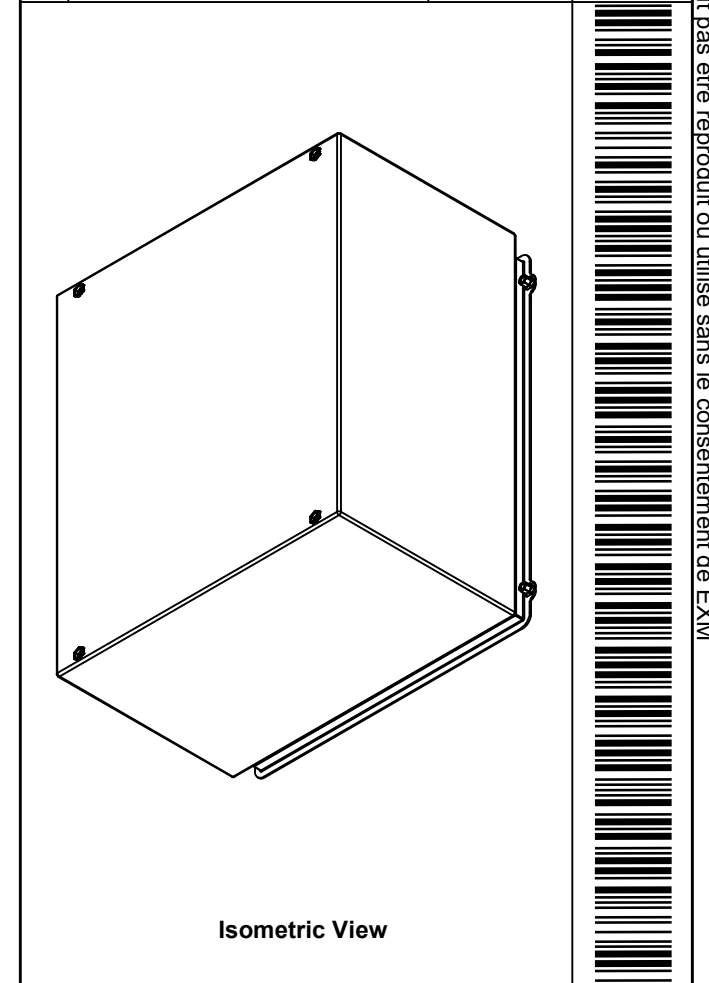


| | | |
|--|-------------------------------|------------------|
| | Description | Status |
| | 5412ESSSC 14" x 12" x 8" Body | (NULL) |
| | Part Number Numéro Pièce | Rev. |
| | 5412ESSSC141208PB | 0 / 5 / 9 |

This drawing is confidential and must not be reproduced or used without the consent of EXM


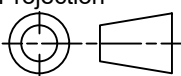
Ce dessin est confidentiel et ne doit pas être reproduit ou utilisé sans le consentement de EXM

| No. | Revisions | Date | By/Par |
|-----|-----------|------|--------|
| | | | |
| | | | |
| | | | |
| | | | |
| | | | |



Isometric View

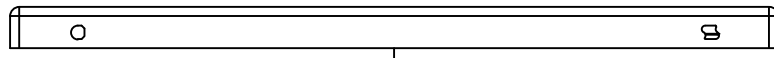


| | | |
|--|-----------------------------------|---|
|  Tél: (450) 979-4373 Fax: (450) 979-4626 www.exmweb.com | | Flatness Aplatissement Max 3.0mm Projection  |
| Customer Client | Date | |
| Drawn By Dessiné Par | BoxCad: BoxCad | Date 29-Jan-26 |
| Material Matière | 16 Ga Stainless Steel 304 (1.4mm) | |
| Color Couleur | Asa-61 Grey | Finish Fini Smooth |
| Description | | Detail Rev. |
| 5412ESSSC 14" x 12" x 8" Body | | |
| Part Number Numéro Pièce | Rev. | 6 |
| 5412ESSSC141208PB | 0 | 9 |

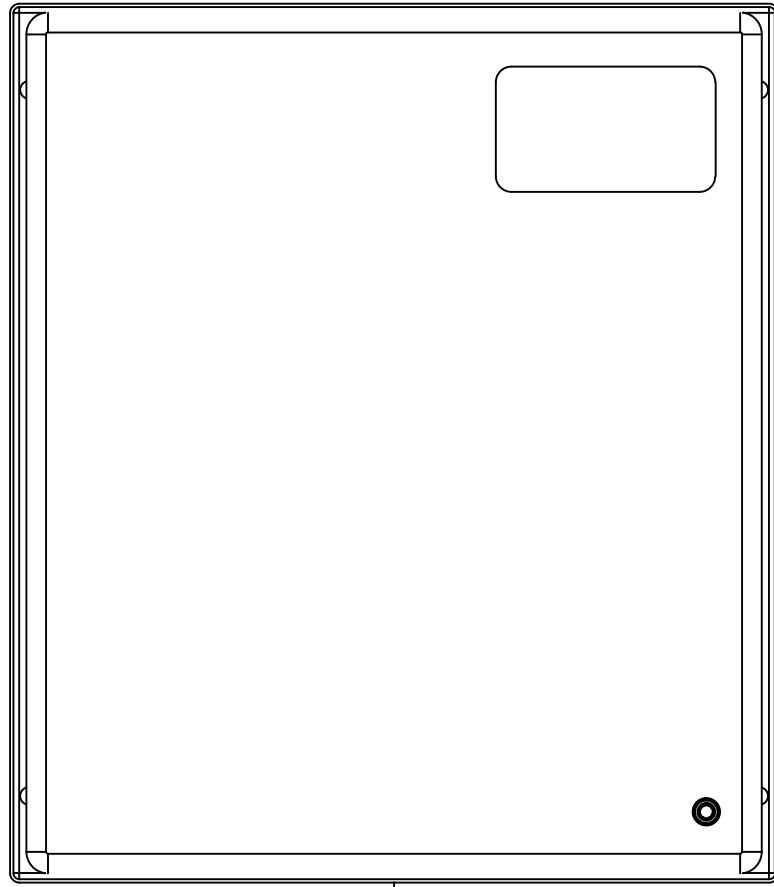
| Qty | Part Number | Rev | Description |
|------------|-----------------------|-----|--|
| 4 | RIVET_NUT_SS_M6_FH_CE | 0 | Stainless Steel Rivet Nut M6 (Low Profile Close End) |
| 1 | STK-P-02400S | 0 | Powder Paint (Asa-61 Grey / Smooth) |
| 4 | RIVET_NUT_SS_M5_FH_OE | 0 | Stainless Steel Rivet Nut M5 (Low Profile Open End) |
| 1 | 5412ESSSC141208PB-P | 0 | 5412ESSSC 14" x 12" x 8" Body Part |
| 5 | STK-Q-08500 | 4 | Stainless Steel Standoff M6 x 10mm |
| Parts List | | | |

This drawing is confidential and must not be reproduced or used without the consent of EXM

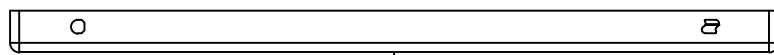
Ce dessin est confidentiel et ne doit pas être reproduit ou utilisé sans le consentement de EXM



TOP



BACK



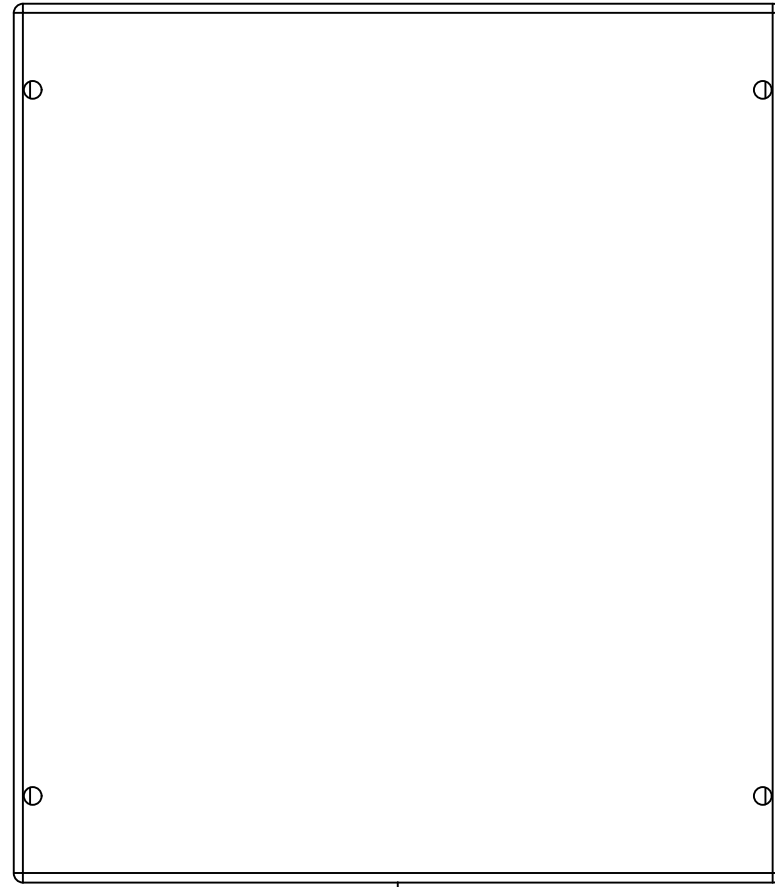
BOTTOM

0.000
0.656



LEFT

0.000



FRONT

12.236

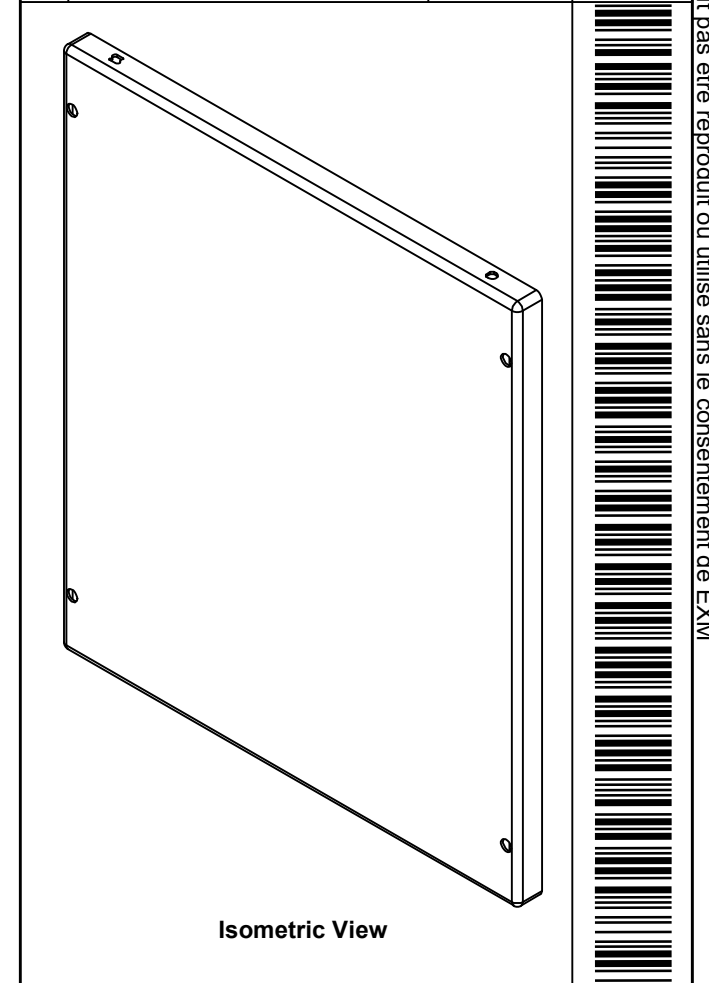
14.000



RIGHT


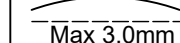
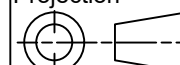
0.000

| No. | Revisions | Date | By/Par |
|-----|-----------|------|--------|
| | | | |
| | | | |
| | | | |
| | | | |



Isometric View



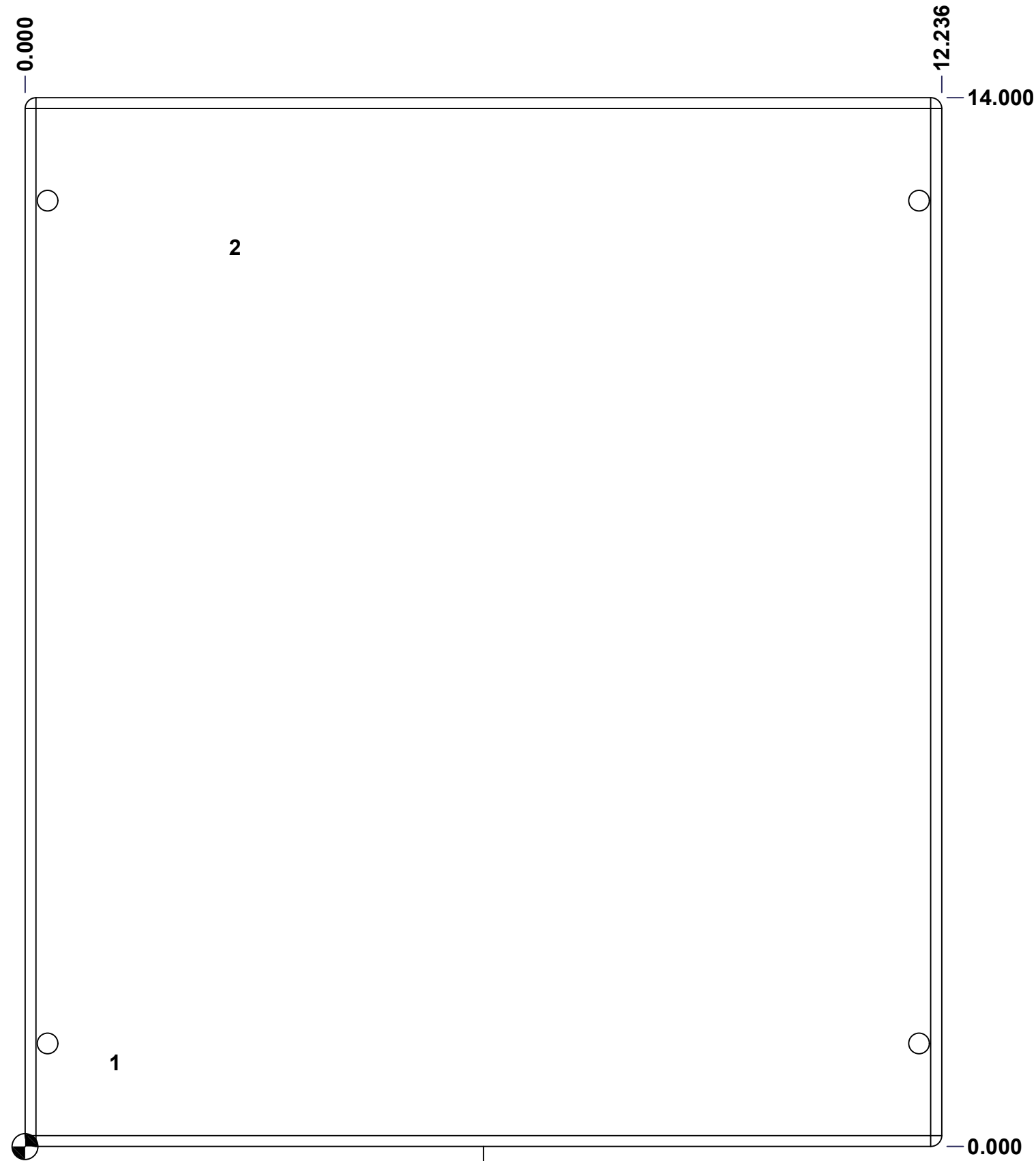
| | | |
|--|-----------------------------------|--|
|  Tél: (450) 979-4373 Fax: (450) 979-4626 www.exmweb.com | | Flatness Aplatissement  Max 3.0mm Projection  |
| Customer Client | Date | |
| Drawn By Dessiné Par | BoxCad: BoxCad | Date 29-Jan-26 |
| Material Matière | 16 Ga Stainless Steel 304 (1.4mm) | |
| Color Couleur | Asa-61 Grey | Finish Fini Smooth |
| Description | Detail Rev. | |
| 5412ESSSC 14" x 12" Cover | | |
| Part Number Numéro Pièce | Rev. | 7 |
| 5412ESSSC141208PC | 0 | 9 |

SEE BILL OF MATERIAL ON LAST PAGE

This drawing is confidential and must not be reproduced or used without the consent of EXM

Ce dessin est confidentiel et ne doit pas être reproduit ou utilisé sans le consentement de EXM

| STANDARD FEATURES ARE NOT LISTED IN THIS HOLE TABLE | | | |
|---|-------|--------|-----------------------------|
| HOLE TABLE - FRONT VIEW (CUSTOM FEATURE ONLY) | | | |
| CUT-OUT | XDIM | YDIM | DESCRIPTION |
| 1 | 1.145 | 1.125 | STANDOFF M6 x 10mm (Inside) |
| 2 | 2.750 | 12.000 | LABEL_EXM (Inside) |



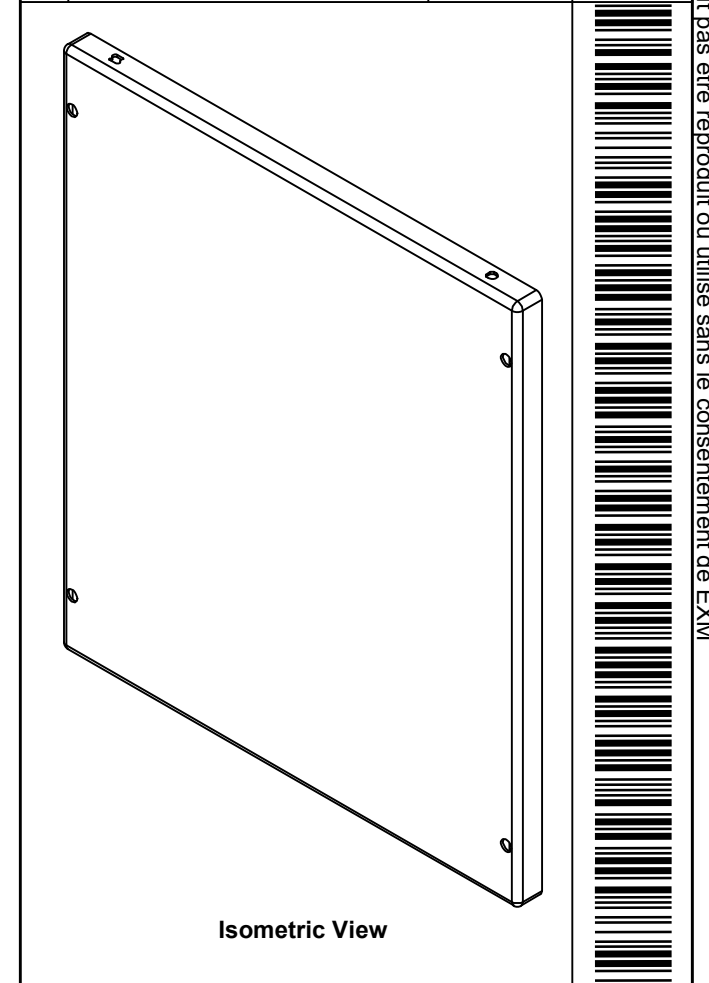
FRONT


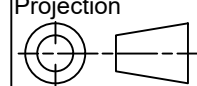
| | | | |
|--|-----------------------------|----------|--------|
| | Description | Status | |
| | 5412ESSSC 14" x 12" Cover | (NULL) | |
| | Part Number Numéro Pièce | Rev. | |
| | 5412ESSSC141208PC | 0 | 8 9 |

This drawing is confidential and must not be reproduced or used without the consent of EXM

Ce dessin est confidentiel et ne doit pas être reproduit ou utilisé sans le consentement de EXM

| No. | Revisions | Date | By/Par |
|-----|-----------|------|--------|
| | | | |
| | | | |
| | | | |
| | | | |
| | | | |

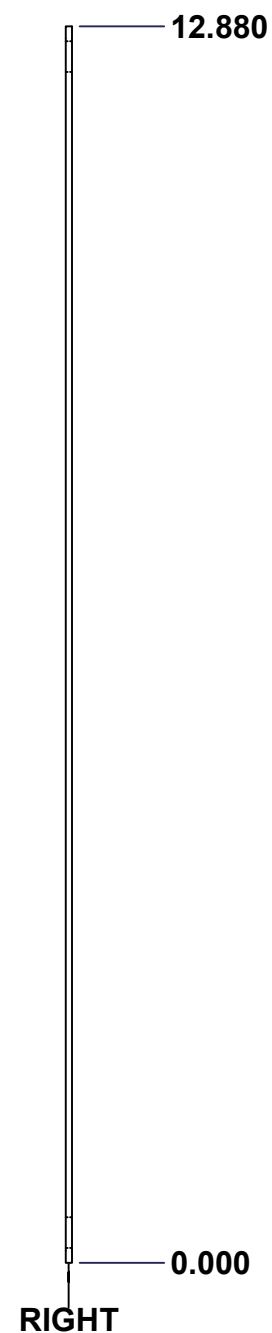
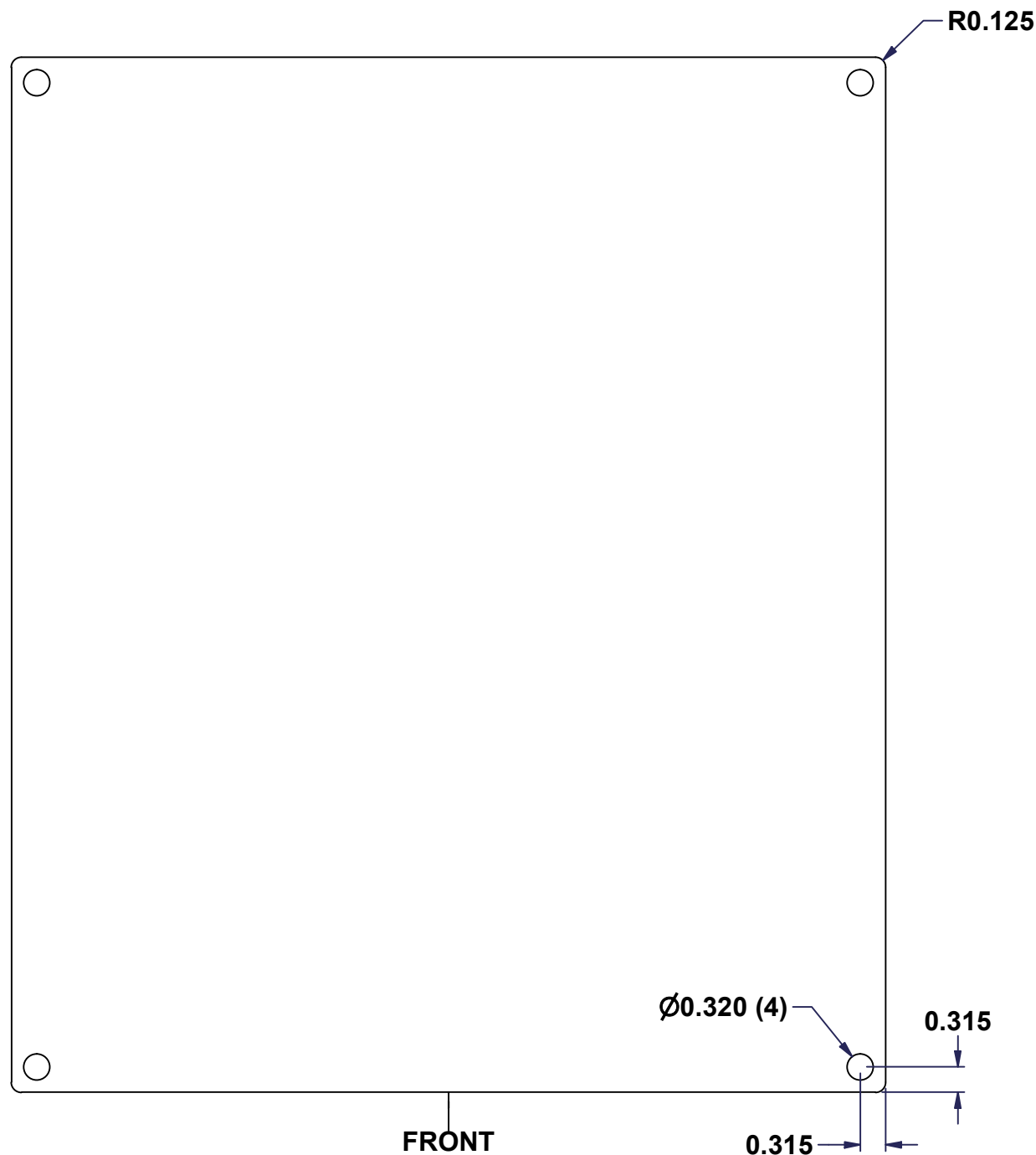
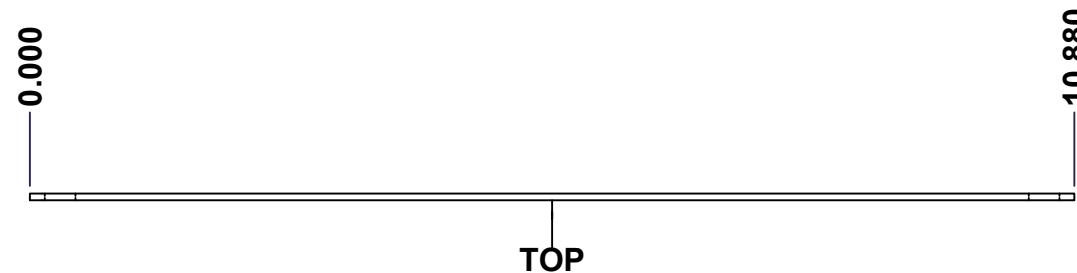


| | | |
|--|-----------------------------------|---|
|  Tél: (450) 979-4373 Fax: (450) 979-4626 www.exmweb.com | | Flatness Aplatissement Max 3.0mm Projection  |
| Customer Client | Date | |
| Drawn By Dessiné Par | BoxCad: BoxCad | Date 29-Jan-26 |
| Material Matière | 16 Ga Stainless Steel 304 (1.4mm) | |
| Color Couleur | Asa-61 Grey | Finish Fini Smooth |
| Description | | Detail Rev. |
| 5412ESSC 14" x 12" Cover | | |
| Part Number Numéro Pièce | Rev. | 9 |
| 5412ESSC141208PC | 0 | 9 |

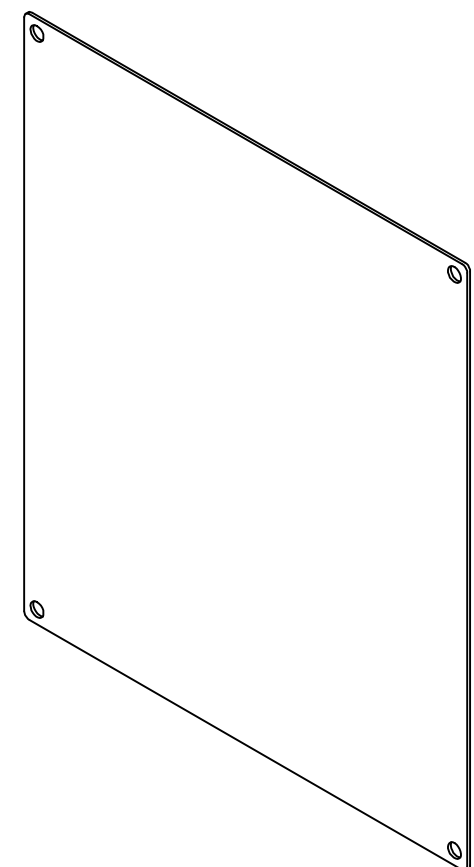
| 1 | STK-S-00100 | 0 | 3.5" x 2" Silver Milar Flexcon Sticker |
|------------|--------------------|-----|--|
| 1 | STK-Q-08500 | 4 | Stainless Steel Standoff M6 x 10mm |
| 1 | STK-P-02400S | 0 | Powder Paint (Asa-61 Grey / Smooth) |
| 1 | 5412ESSC141208PG | 0 | 5412ESSC 14" x 12" Gasket |
| 1 | 5412ESSC141208PC-P | 0 | 5412ESSC 14" x 12" Cover Part |
| QTY | Part Number | Rev | Description |
| Parts List | | | |


This drawing is confidential and must not be reproduced or used without the consent of EXM

Ce dessin est confidentiel et ne doit pas être reproduit ou utilisé sans le consentement de EXM



| No. | Revisions | Date | By/Par |
|-----|-----------|------|--------|
| | | | |
| | | | |
| | | | |
| | | | |





Isometric View

| | | |
|---|---|-------------|
|  | Flatness Aplatissement Max 3.0mm | |
| | Projection  | |
| Customer Client | Date | |
| Drawn By Dessiné Par BoxCad | Date 23-Jan-07 | |
| Material Matière | 14 Ga Galvanized (1.7mm) | |
| Color Couleur Unpainted | Finish Fini Galvanized | Detail Rev. |
| Description 880 SP1412G - Inner Panel | | Detail Rev. |
| Part Number Numéro Pièce | Rev. 0 | 1 2 |

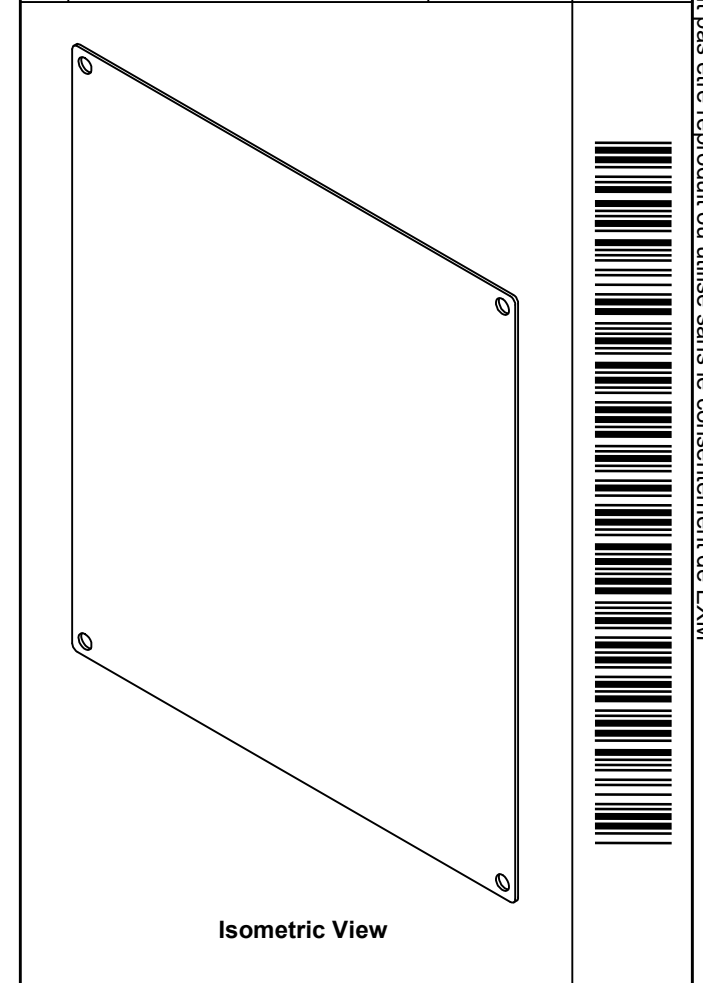
SEE BILL OF MATERIAL ON LAST PAGE


880 SP1412G

This drawing is confidential and must not be reproduced or used without the consent of EXM

Ce dessin est confidentiel et ne doit pas être reproduit ou utilisé sans le consentement de EXM

| No. | Revisions | Date | By/Par |
|-----|-----------|------|--------|
| | | | |
| | | | |
| | | | |
| | | | |
| | | | |



| | | |
|--|--|--|
|  Tél: (450) 979-4373 Fax: (450) 979-4626 www.exmweb.com | | Flatness Aplatissement Max 3.0mm |
| Customer Client | | Date |
| Drawn By / Dessiné Par: BoxCad | | Date: 23-Jan-07 |
| Material / Matière: 14 Ga Galvanized (1.7mm) | | |
| Color / Couleur: Unpainted | | Finish / Fini: Galvanized |
| Description: 880 SP1412G - Inner Panel | | Detail Rev. |
| Part Number / Numéro Pièce: 880 SP1412G | | Rev. 0 / 2 |

| Qty | Part Number | Rev | Description |
|------------|---------------|-----|--------------------------------|
| 1 | 880 SP1412G-P | 0 | 880 SP1412G - Inner Panel Part |
| Parts List | | | |