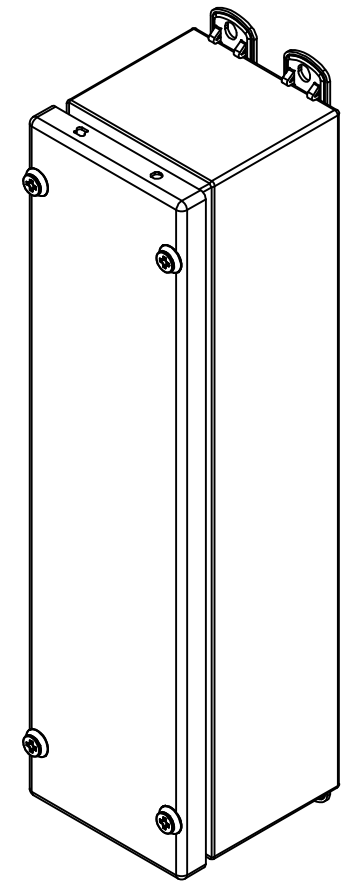
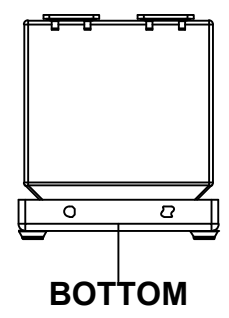
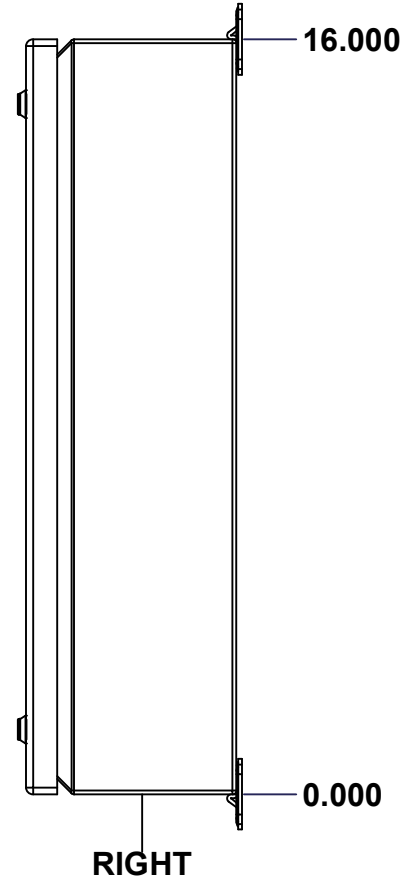
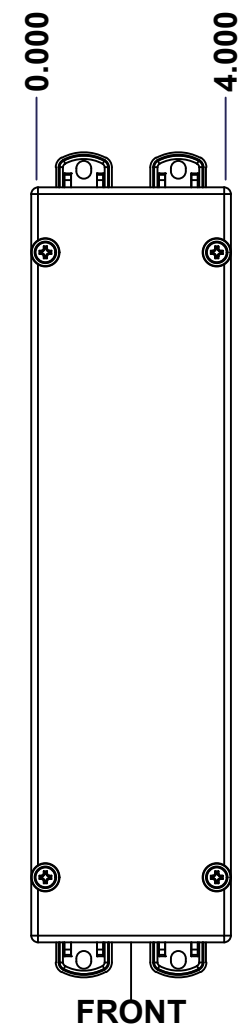
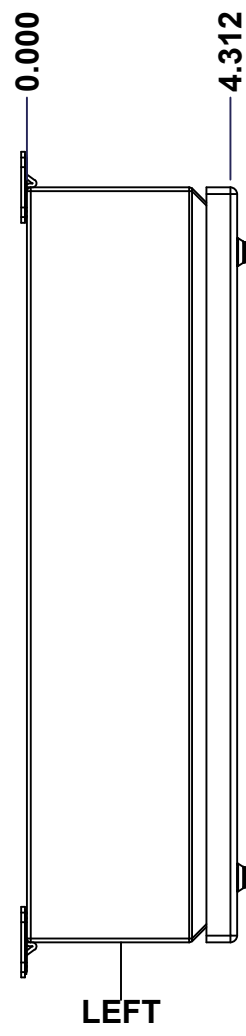
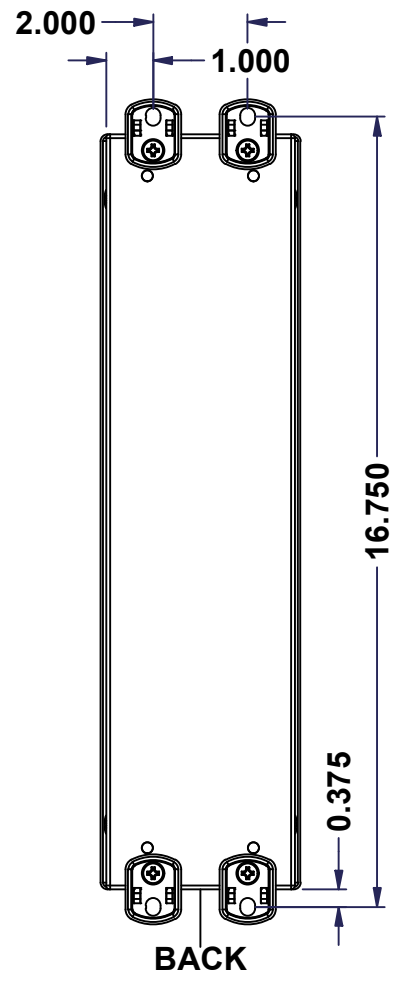
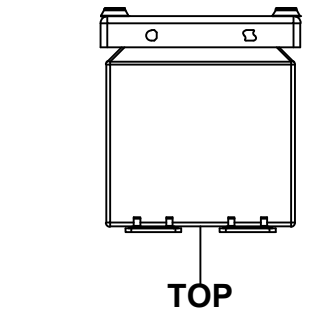

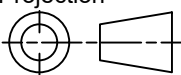


This drawing is confidential and must not be reproduced or used without the consent of EXM

Ce dessin est confidentiel et ne doit pas être reproduit ou utilisé sans le consentement de EXM

| No. | Revisions | Date | By/Par |
|-----|-----------|------|--------|
| | | | |
| | | | |
| | | | |
| | | | |



| | | |
|--|-----------------------------------|---|
|  Tél: (450) 979-4373 Fax: (450) 979-4626 www.exmweb.com | | Flatness Aplatissement Max 3.0mm Projection  |
| Customer Client | Date | |
| Drawn By Dessiné Par | BoxCad: BoxCad | Date 29-Jan-26 |
| Material Matière | 16 Ga Stainless Steel 304 (1.4mm) | |
| Color Couleur | Asa-61 Grey | Finish Fini Smooth |
| Description | Detail Rev. | |
| 5412ESSSC 16" x 4" x 4" Assembly | | |
| Part Number Numéro Pièce | Rev. 0 | 1 / 12 |
| 5412ESSSC160404P | | |

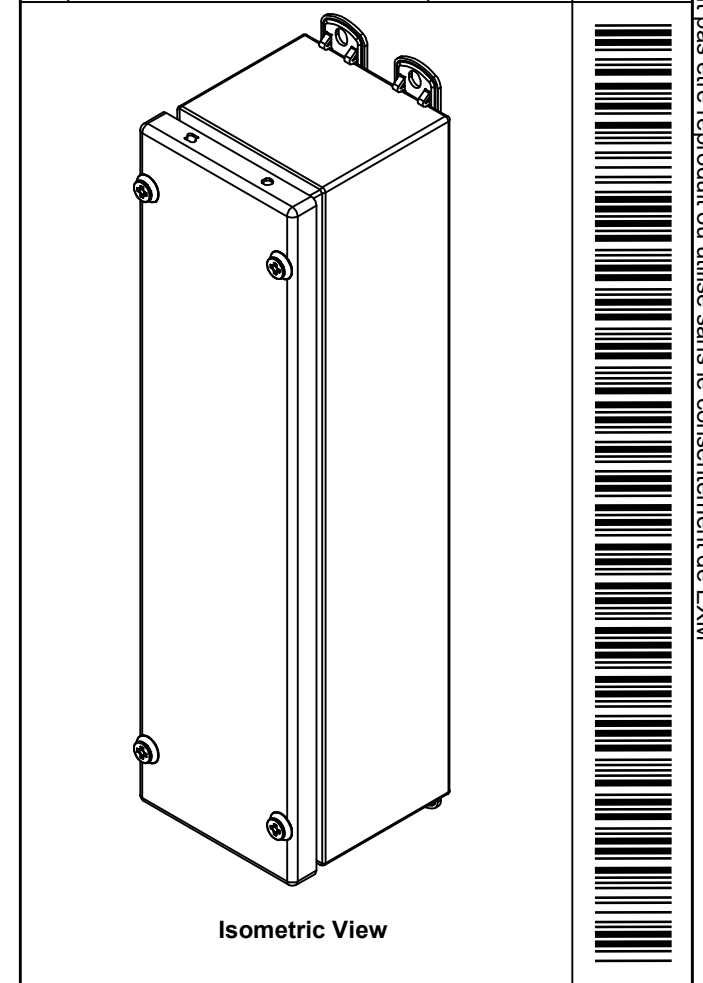
SEE BILL OF MATERIAL ON LAST PAGE

This drawing is confidential and must not be reproduced or used without the consent of EXM

Ce dessin est confidentiel et ne doit pas être reproduit ou utilisé sans le consentement de EXM

| NOTE | |
|------|--|
| ITEM | DESCRIPTION |
| 1 | NEMA 4X Enclosure (IP66) |
| 2 | C/W Standard ground standoffs on box and cover |
| 3 | W/O Standard door stiffener |
| 4 | C/W Special inner panel (Sold separately) |
| 5 | C/W Standard inner panel mounting standoffs |
| 6 | C/W 885 ESCHMF2 Mounting Feet (Installed) |

| No. | Revisions | Date | By/Par |
|-----|-----------|------|--------|
| | | | |
| | | | |
| | | | |
| | | | |
| | | | |
| | | | |



EXM
www.exm.com

Tél: (450) 979-4373
Fax: (450) 979-4626
www.exmweb.com

Flatness
Aplatissement
Max 3.0mm

Projection

| | |
|--|-----------------------------------|
| Customer Client | Date |
| Drawn By Dessiné Par BoxCad: BoxCad | Date 29-Jan-26 |
| Material Matière | 16 Ga Stainless Steel 304 (1.4mm) |
| Color Couleur | Asa-61 Grey |
| Finish Fini | Smooth |

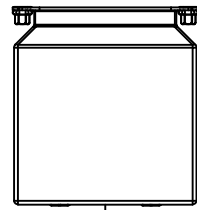
| PACKING | | |
|-----------------|-----|--|
| ITEM | QTY | DESCRIPTION |
| Plastic bag | 1 | To protect cover surface and inside gasket |
| Packaging label | 1 | White label with product number |
| STK-S-01100 | 1 | ESCH EXM SQUARE STICKER |

| Qty | Part Number | Rev | Description |
|------------|--------------------|-----|--------------------------------|
| 1 | 5412ESSSC160404PC | 0 | 5412ESSSC 16" x 4" Cover |
| 1 | STK-K-02925 | 3 | 5412 ESSSC Accessory Kit |
| 1 | 5412ESSSC160404PIP | 0 | 5412ESSSC 16" x 4" Inner Panel |
| 8 | STK-Q-07210 | 0 | Flange Lock Nut M6 |
| 1 | 5412ESSSC160404PB | 0 | 5412ESSSC 16" x 4" x 4" Body |
| Parts List | | | |

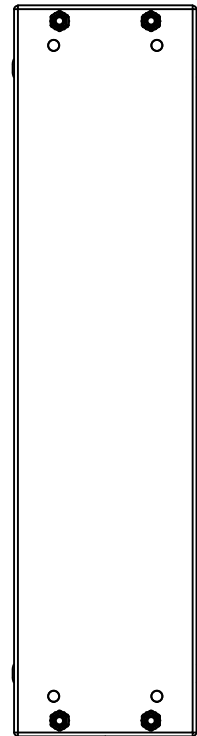
| | |
|----------------------------------|-------------|
| Description | Detail Rev. |
| 5412ESSSC 16" x 4" x 4" Assembly | |
| Part Number Numéro Pièce | Rev. |
| 5412ESSSC160404P | 0 |
| | 2 |
| | 12 |

This drawing is confidential and must not be reproduced or used without the consent of EXM

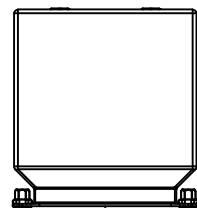
Ce dessin est confidentiel et ne doit pas être reproduit ou utilisé sans le consentement de EXM



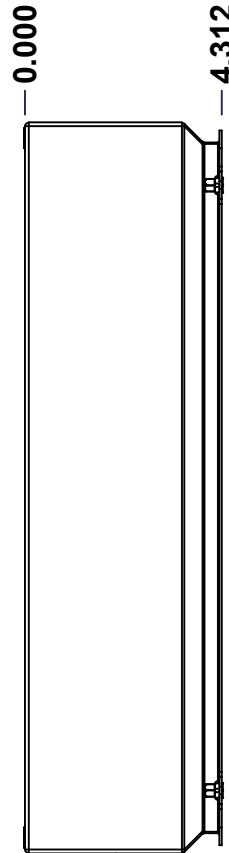
TOP



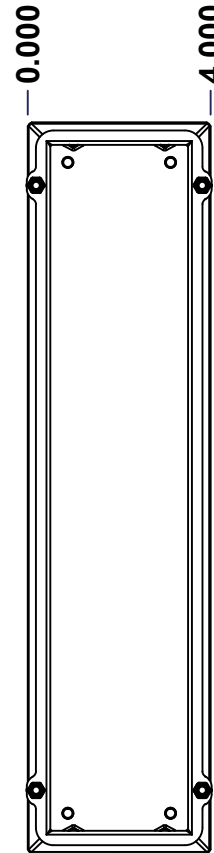
BACK



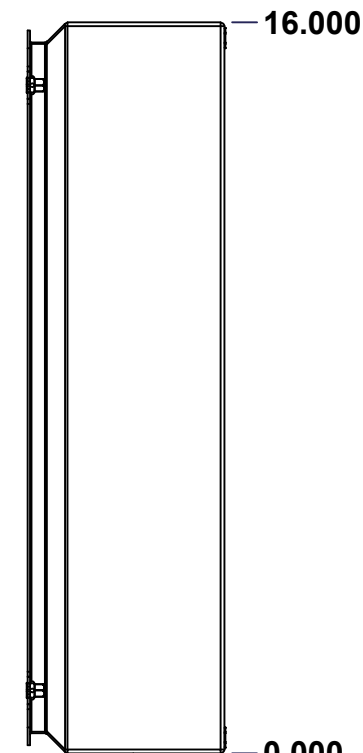
BOTTOM



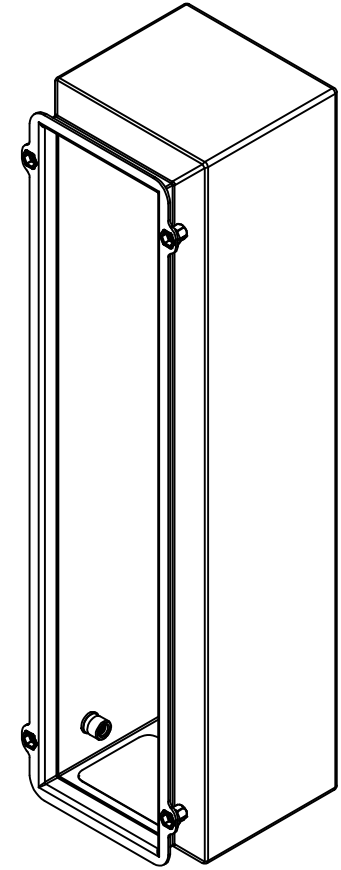
LEFT



FRONT




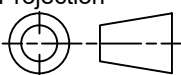
RIGHT



Isometric View



| No. | Revisions | Date | By/Par |
|-----|-----------|------|--------|
| | | | |
| | | | |
| | | | |
| | | | |

| | | |
|--|-----------------------------------|---|
|  Tél: (450) 979-4373 Fax: (450) 979-4626 www.exmweb.com | | Flatness Aplatissement Max 3.0mm Projection  |
| Customer Client | Date | |
| Drawn By Dessiné Par | BoxCad: BoxCad | Date 29-Jan-26 |
| Material Matière | 16 Ga Stainless Steel 304 (1.4mm) | |
| Color Couleur | Asa-61 Grey | Finish Fini Smooth |
| Description | Detail Rev. | |
| 5412ESSSC 16" x 4" x 4" Body | | |
| Part Number Numéro Pièce | Rev. 0 | 3 12 |
| 5412ESSSC160404PB | | |

SEE BILL OF MATERIAL ON LAST PAGE

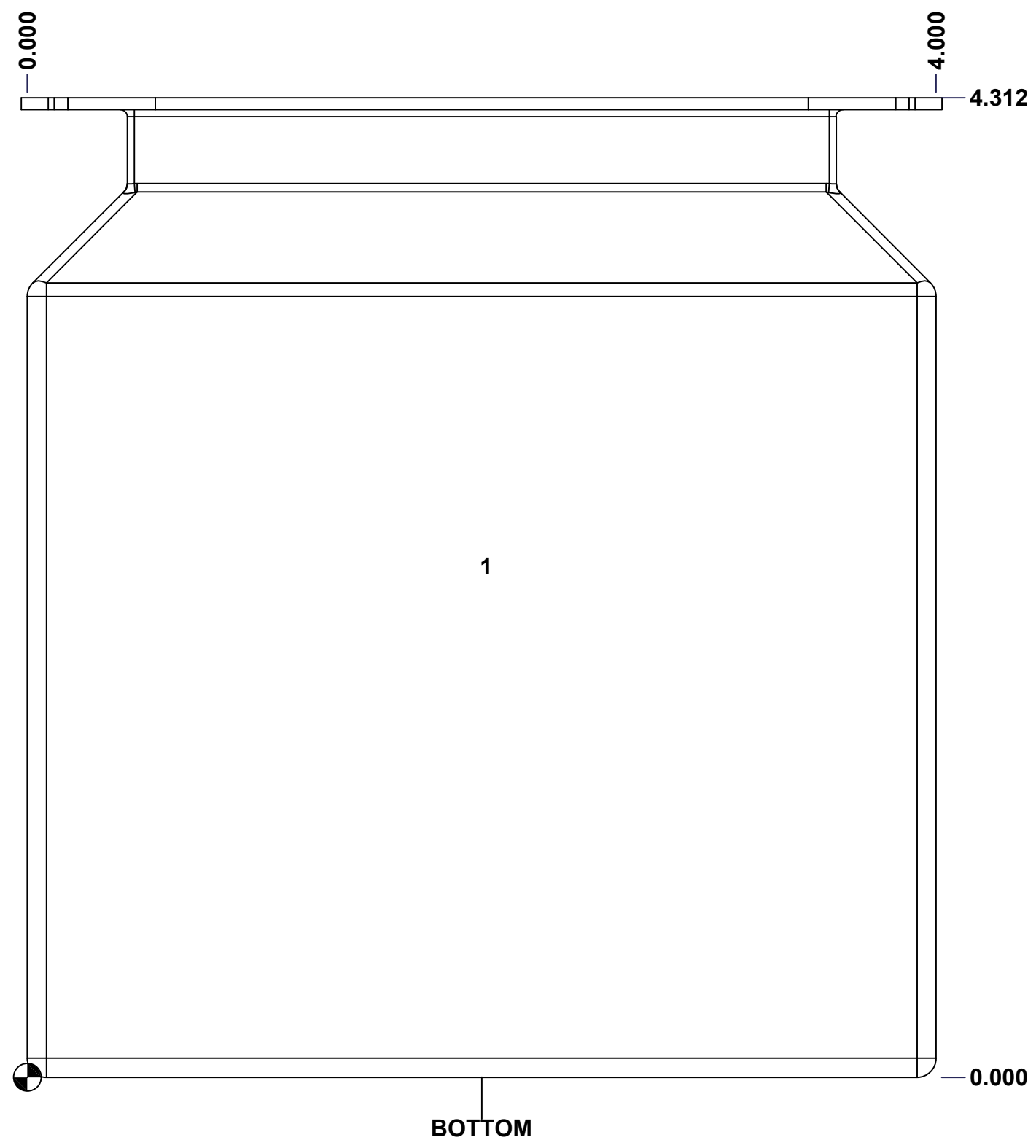
This drawing is confidential and must not be reproduced or used without the consent of EXM

Ce dessin est confidentiel et ne doit pas être reproduit ou utilisé sans le consentement de EXM

STANDARD FEATURES ARE NOT LISTED IN THIS HOLE TABLE

HOLE TABLE - BOTTOM VIEW (CUSTOM FEATURE ONLY)

| CUT-OUT | XDIM | YDIM | DESCRIPTION |
|---------|-------|-------|--------------------|
| 1 | 2.000 | 2.250 | LABEL_EXM (Inside) |

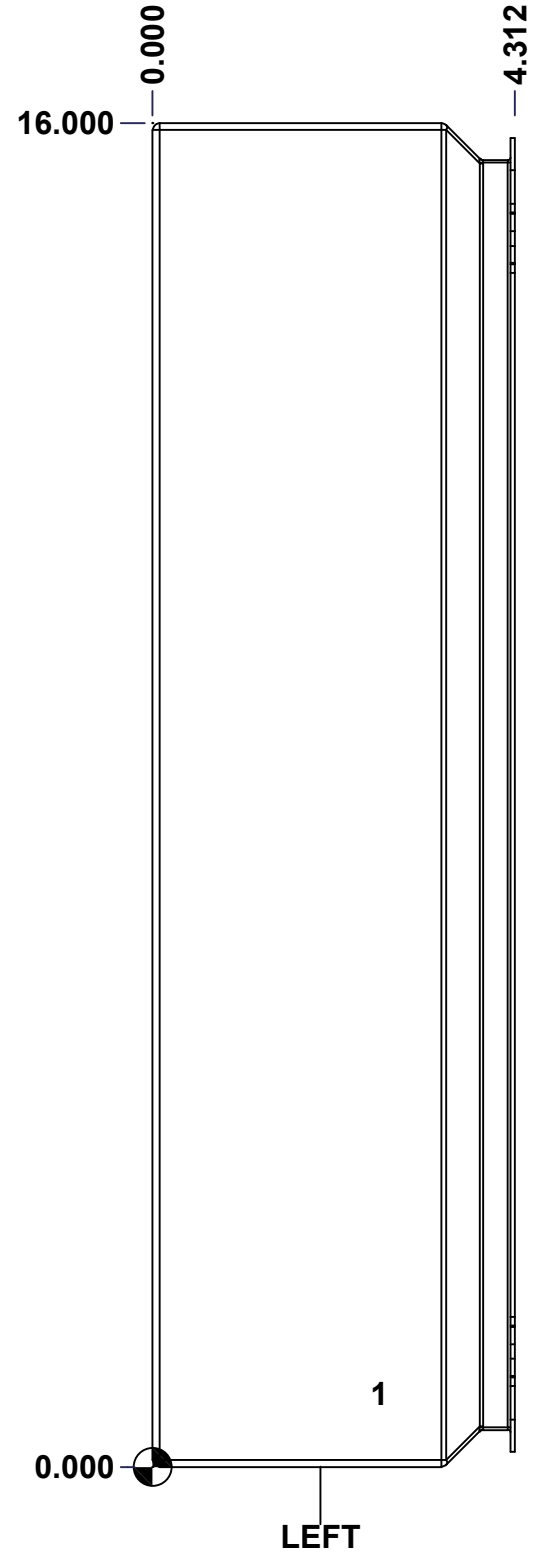


| | | |
|--|------------------------------|--------------|
| | Description | Status |
| | 5412ESSSC 16" x 4" x 4" Body | (NULL) |
| | Part Number Numéro Pièce | Rev. |
| | 5412ESSSC160404PB | 0 / 4 |
| | | 12 |

This drawing is confidential and must not be reproduced or used without the consent of EXM

Ce dessin est confidentiel et ne doit pas être reproduit ou utilisé sans le consentement de EXM

| STANDARD FEATURES ARE NOT LISTED IN THIS HOLE TABLE | | | |
|--|-------|-------|-----------------------------|
| HOLE TABLE - LEFT VIEW (CUSTOM FEATURE ONLY) | | | |
| CUT-OUT | XDIM | YDIM | DESCRIPTION |
| 1 | 2.625 | 0.875 | STANDOFF M6 x 10mm (Inside) |



| | | | |
|--|------------------------------|----------|----|
| | Description | Status | |
| | 5412ESSSC 16" x 4" x 4" Body | (NULL) | |
| | Part Number Numéro Pièce | Rev. | 5 |
| | 5412ESSSC160404PB | 0 | 12 |

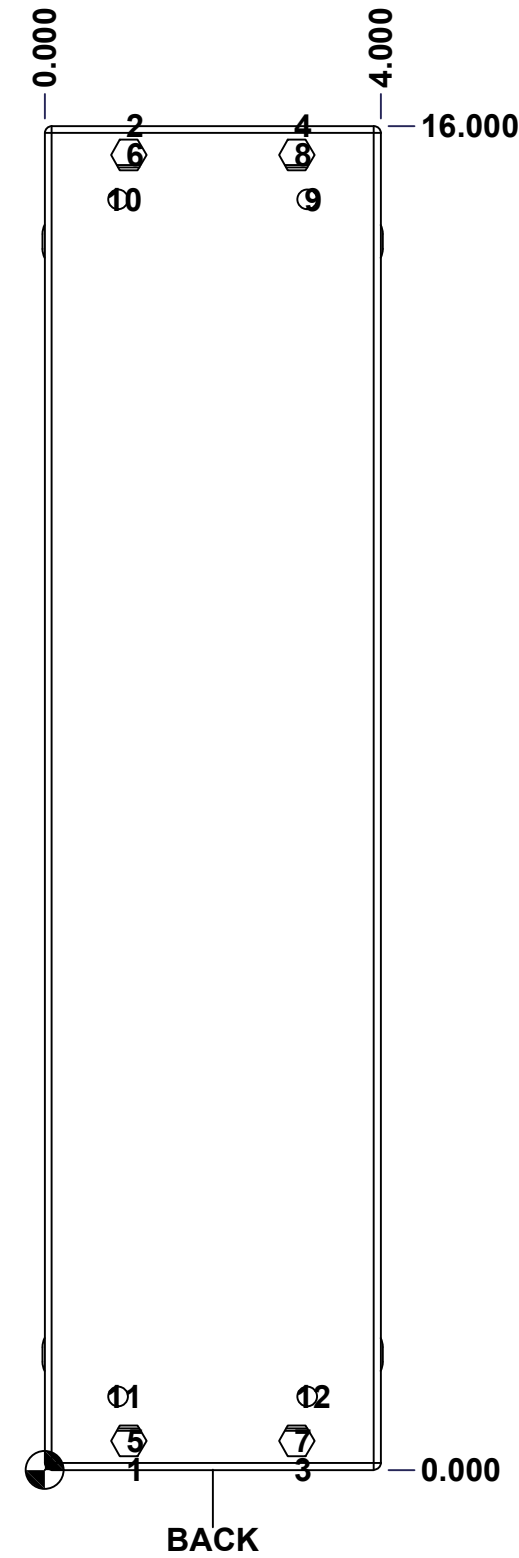
This drawing is confidential and must not be reproduced or used without the consent of EXM

Ce dessin est confidentiel et ne doit pas être reproduit ou utilisé sans le consentement de EXM

STANDARD FEATURES ARE NOT LISTED IN THIS HOLE TABLE

HOLE TABLE - BACK VIEW (CUSTOM FEATURE ONLY)

| CUT-OUT | XDIM | YDIM | DESCRIPTION |
|---------|-------|--------|-----------------------------|
| 1 | 1.000 | 0.000 | FOOT 885 ESCHMF2 |
| 2 | 1.000 | 16.000 | FOOT 885 ESCHMF2 |
| 3 | 3.000 | 0.000 | FOOT 885 ESCHMF2 |
| 4 | 3.000 | 16.000 | FOOT 885 ESCHMF2 |
| 5 | 1.000 | 0.344 | RIVET NUT M6_FH_CE (Inside) |
| 6 | 1.000 | 15.656 | RIVET NUT M6_FH_CE (Inside) |
| 7 | 3.000 | 0.344 | RIVET NUT M6_FH_CE (Inside) |
| 8 | 3.000 | 15.656 | RIVET NUT M6_FH_CE (Inside) |
| 9 | 3.125 | 15.125 | PEM FHS-M6-20 (Inside) |
| 10 | 0.875 | 15.125 | PEM FHS-M6-20 (Inside) |
| 11 | 0.875 | 0.875 | PEM FHS-M6-20 (Inside) |
| 12 | 3.125 | 0.875 | PEM FHS-M6-20 (Inside) |

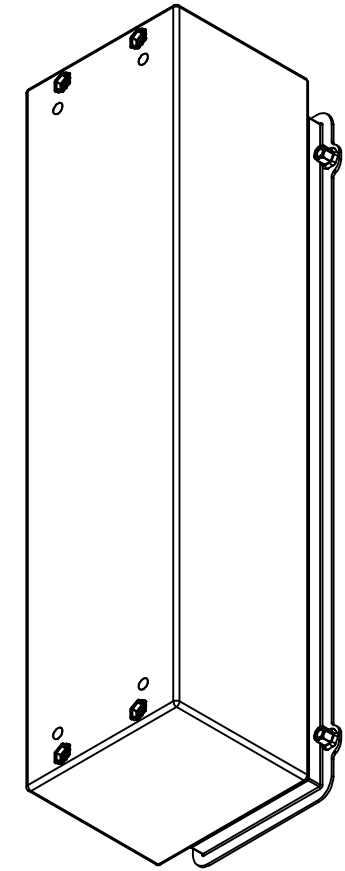


| | | |
|--|------------------------------|--------------|
| | Description | Status |
| | 5412ESSSC 16" x 4" x 4" Body | (NULL) |
| | Part Number Numéro Pièce | Rev. |
| | 5412ESSSC160404PB | 0 / 6 |
| | | 12 |

This drawing is confidential and must not be reproduced or used without the consent of EXM


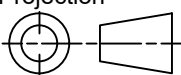
Ce dessin est confidentiel et ne doit pas être reproduit ou utilisé sans le consentement de EXM

| No. | Revisions | Date | By/Par |
|-----|-----------|------|--------|
| | | | |
| | | | |
| | | | |
| | | | |
| | | | |



Isometric View



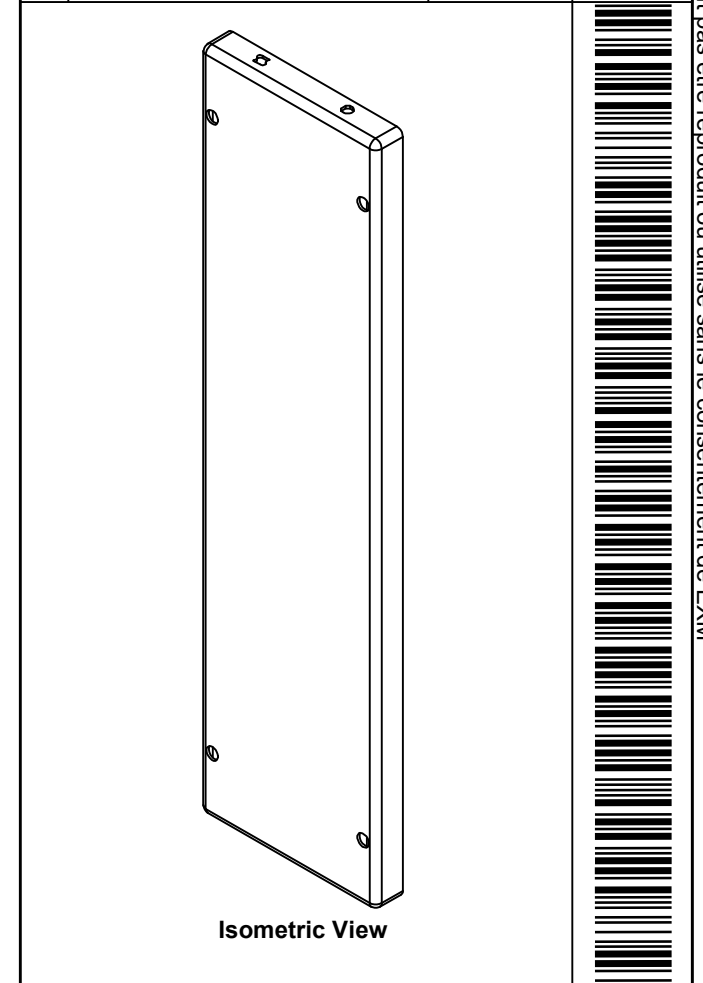
| | | |
|--|-----------------------|---|
|  Tél: (450) 979-4373 Fax: (450) 979-4626 www.exmweb.com | | Flatness Aplatissement Max 3.0mm |
| Customer Client | | Projection  |
| Drawn By Dessiné Par BoxCad: BoxCad | | Date 29-Jan-26 |
| Material Matière 16 Ga Stainless Steel 304 (1.4mm) | | |
| Color Couleur Asa-61 Grey | Finish Fini Smooth | |
| Description 5412ESSSC 16" x 4" x 4" Body | | Detail Rev. |
| Part Number Numéro Pièce 5412ESSSC160404PB | | Rev. 0 |


| Qty | Part Number | Rev | Description |
|------------|-----------------------|-----|--|
| 4 | STK-PEM-FHS-M6-20 | 0 | SS PEM Self-Clinching Stud M6 x 20.0mm |
| 4 | RIVET_NUT_SS_M6_FH_CE | 0 | Stainless Steel Rivet Nut M6 (Low Profile Close End) |
| 1 | STK-Q-08500 | 4 | Stainless Steel Standoff M6 x 10mm |
| 1 | STK-S-00100 | 0 | 3.5" x 2" Silver Milar Flexcon Sticker |
| 1 | STK-P-02400S | 0 | Powder Paint (Asa-61 Grey / Smooth) |
| 4 | RIVET_NUT_SS_M5_FH_OE | 0 | Stainless Steel Rivet Nut M5 (Low Profile Open End) |
| 1 | 5412ESSSC160404PB-P | 0 | 5412ESSSC 16" x 4" x 4" Body Part |
| Parts List | | | |

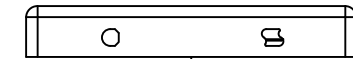
This drawing is confidential and must not be reproduced or used without the consent of EXM

Ce dessin est confidentiel et ne doit pas être reproduit ou utilisé sans le consentement de EXM

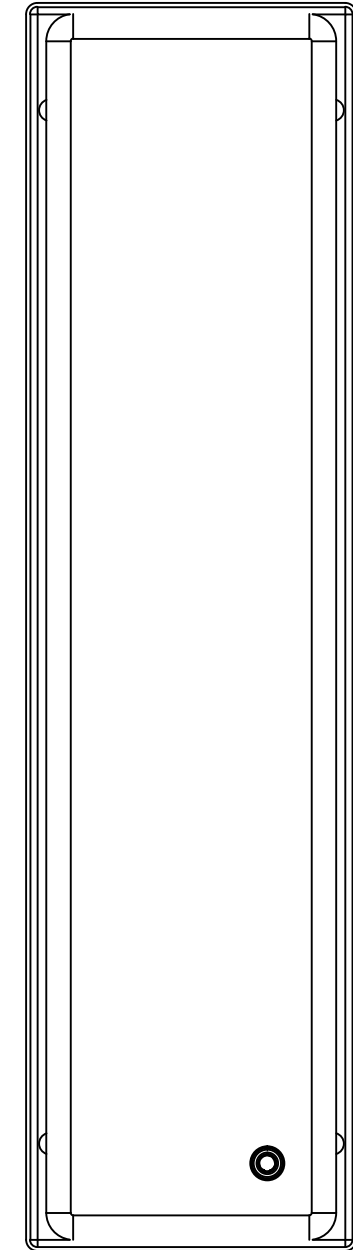
| No. | Revisions | Date | By/Par |
|-----|-----------|------|--------|
| | | | |
| | | | |
| | | | |
| | | | |
| | | | |



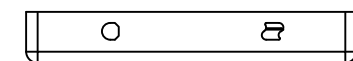
| | | |
|--|-----------------------------------|---------------------------|
|  Tél: (450) 979-4373 Fax: (450) 979-4626 www.exmweb.com | | Flatness Aplatissement |
| | | Max 3.0mm |
| Projection  | | |
| Customer Client | | Date |
| Drawn By Dessiné Par | BoxCad: BoxCad | Date 29-Jan-26 |
| Material Matière | 16 Ga Stainless Steel 304 (1.4mm) | |
| Color Couleur | Asa-61 Grey | Finish Fini Smooth |
| Description | | Detail Rev. |
| 5412ESSSC 16" x 4" Cover | | |
| Part Number Numéro Pièce | Rev. 8 | |
| | 0 | 12 |



TOP

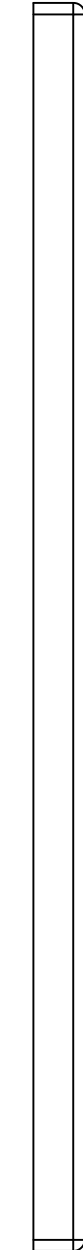


BACK



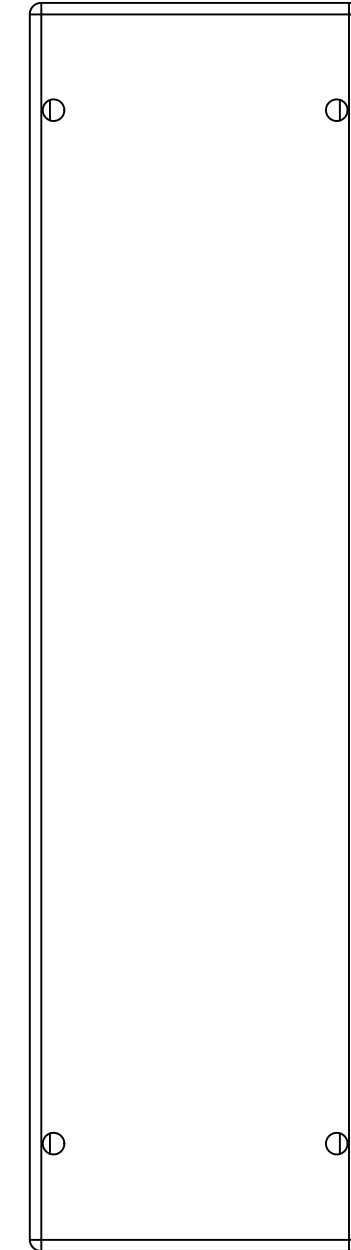
BOTTOM

0.000
0.656



LEFT

0.000
4.236



FRONT

16.000



RIGHT

0.000

SEE BILL OF MATERIAL ON LAST PAGE

5412ESSSC160404PC

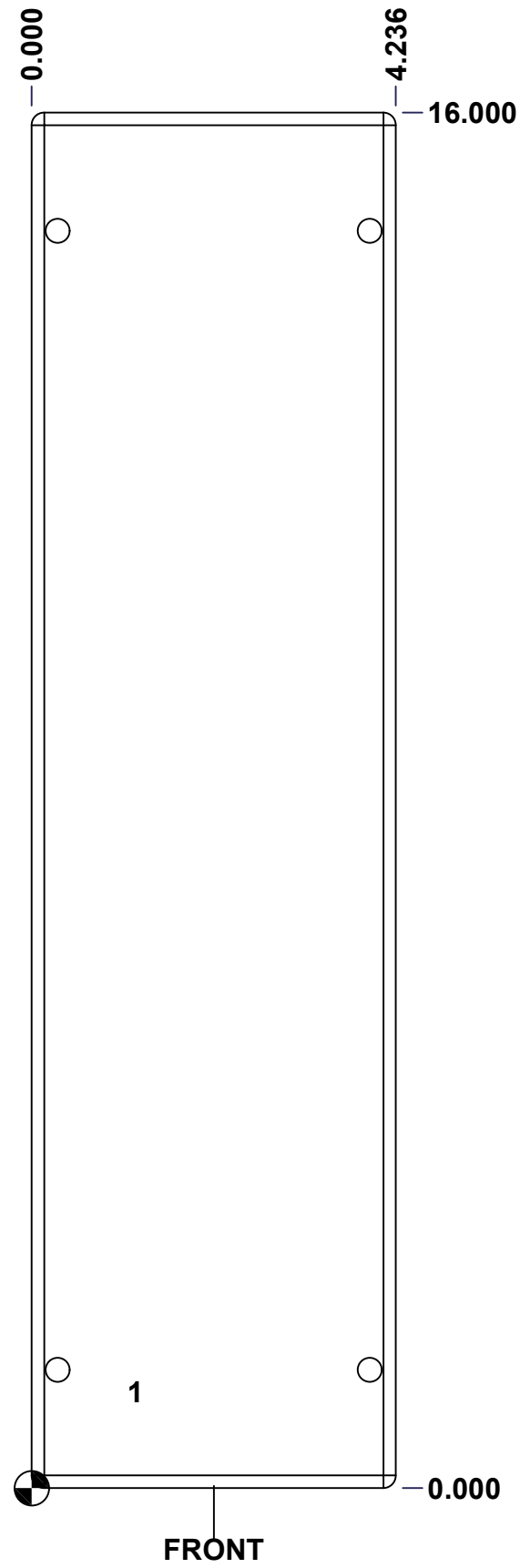
This drawing is confidential and must not be reproduced or used without the consent of EXM

Ce dessin est confidentiel et ne doit pas être reproduit ou utilisé sans le consentement de EXM

STANDARD FEATURES ARE NOT LISTED IN THIS HOLE TABLE

HOLE TABLE - FRONT VIEW (CUSTOM FEATURE ONLY)

| CUT-OUT | XDIM | YDIM | DESCRIPTION |
|---------|-------|-------|-----------------------------|
| 1 | 1.145 | 1.125 | STANDOFF M6 x 10mm (Inside) |



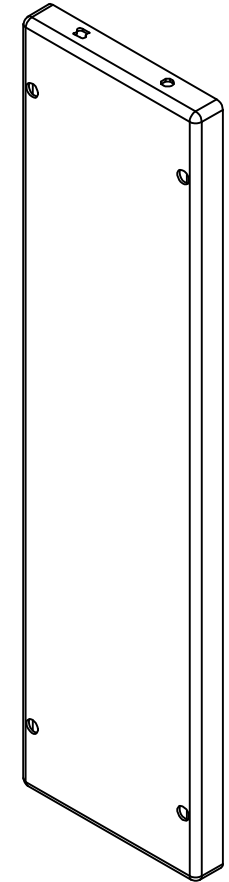
FRONT

| | | |
|--|-----------------------------|----------|
| | Description | Status |
| | 5412ESSSC 16" x 4" Cover | (NULL) |
| | Part Number Numéro Pièce | Rev. |
| | 5412ESSSC160404PC | 0 |
| | | 9 |
| | | 12 |

This drawing is confidential and must not be reproduced or used without the consent of EXM


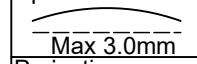
Ce dessin est confidentiel et ne doit pas être reproduit ou utilisé sans le consentement de EXM

| No. | Revisions | Date | By/Par |
|-----|-----------|------|--------|
| | | | |
| | | | |
| | | | |
| | | | |
| | | | |



Isometric View

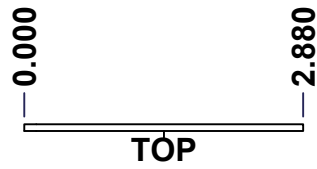


| | | |
|--|-----------------------|--|
|  Tél: (450) 979-4373 Fax: (450) 979-4626 www.exmweb.com | | Flatness Aplatissement  Max 3.0mm |
| Customer Client | | Date |
| Drawn By / Dessiné Par: BoxCad: BoxCad | | Date: 29-Jan-26 |
| Material / Matière: 16 Ga Stainless Steel 304 (1.4mm) | | |
| Color / Couleur: Asa-61 Grey | Finish / Fini: Smooth | |
| Description: 5412ESSSC 16" x 4" Cover | | Detail Rev. |
| Part Number / Numéro Pièce: 5412ESSSC160404PC | | Rev. 10 0 12 |

| QTY | Part Number | Rev | Description |
|------------|---------------------|-----|-------------------------------------|
| 1 | STK-Q-08500 | 4 | Stainless Steel Standoff M6 x 10mm |
| 1 | STK-P-02400S | 0 | Powder Paint (Asa-61 Grey / Smooth) |
| 1 | 5412ESSSC160404PG | 0 | 5412ESSSC 16" x 4" Gasket |
| 1 | 5412ESSSC160404PC-P | 0 | 5412ESSSC 16" x 4" Cover Part |
| Parts List | | | |

This drawing is confidential and must not be reproduced or used without the consent of EXM

Ce dessin est confidentiel et ne doit pas être reproduit ou utilisé sans le consentement de EXM

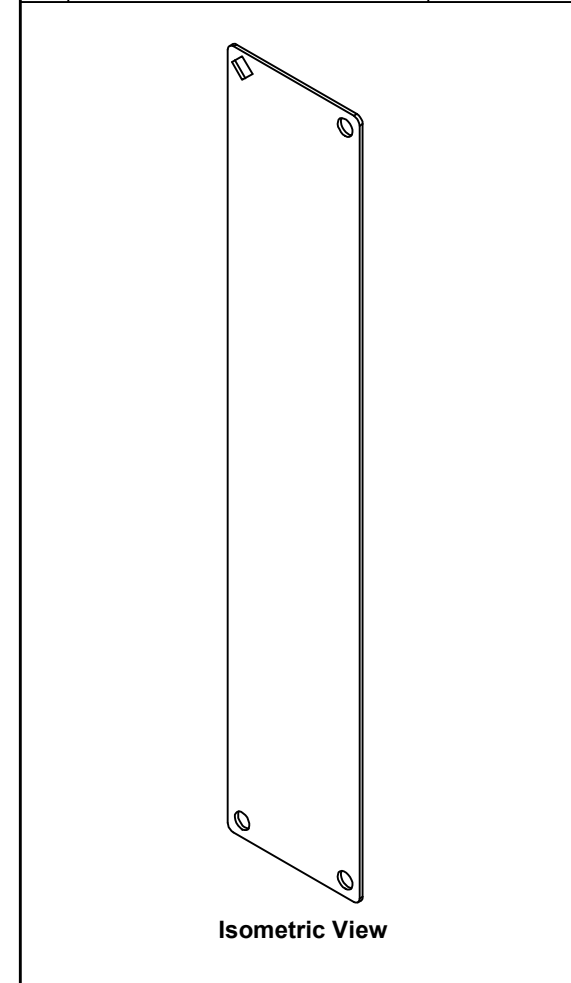


FRONT




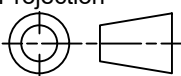
RIGHT 0.000

| No. | Revisions | Date | By/Par |
|-----|-----------|------|--------|
| | | | |
| | | | |
| | | | |
| | | | |
| | | | |



Isometric View



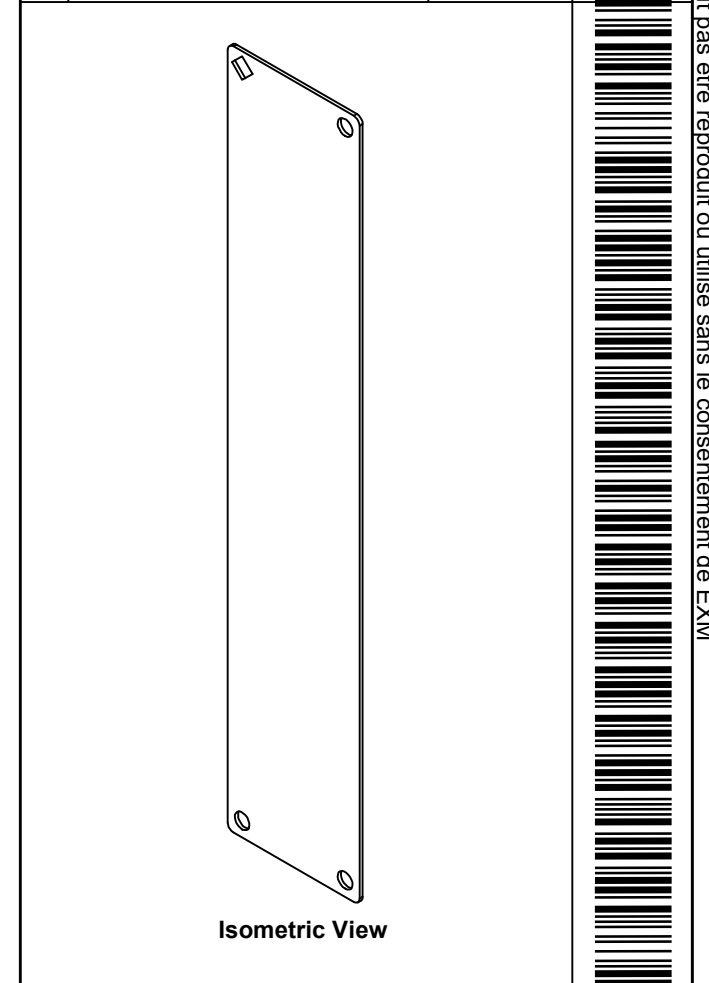
| | | |
|--|--------------------------|---|
|  Tél: (450) 979-4373 Fax: (450) 979-4626 www.exmweb.com | | Flatness Aplatissement Max 3.0mm Projection  |
| Customer Client | Date | |
| Drawn By Dessiné Par | BoxCad: BoxCad | Date 29-Jan-26 |
| Material Matière | 14 Ga Galvanized (1.7mm) | |
| Color Couleur | Unpainted | Finish Fini Unpainted |
| Description | Detail Rev. | |
| 5412ESSSC 16" x 4" Inner Panel | | |
| Part Number Numéro Pièce | Rev. | 11 |
| 5412ESSSC160404PIP | 0 | 12 |


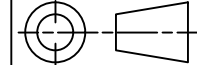
SEE BILL OF MATERIAL ON LAST PAGE

This drawing is confidential and must not be reproduced or used without the consent of EXM

Ce dessin est confidentiel et ne doit pas être reproduit ou utilisé sans le consentement de EXM

| No. | Revisions | Date | By/Par |
|-----|-----------|------|--------|
| | | | |
| | | | |
| | | | |
| | | | |
| | | | |



| | | |
|--|--------------------------|---|
|  Tél: (450) 979-4373 Fax: (450) 979-4626 www.exmweb.com | | Flatness Aplatissement Max 3.0mm |
| Customer Client | | Projection  |
| Drawn By Dessiné Par BoxCad: BoxCad | | Date 29-Jan-26 |
| Material Matière 14 Ga Galvanized (1.7mm) | | |
| Color Couleur Unpainted | Finish Fini Unpainted | |
| Description 5412ESSSC 16" x 4" Inner Panel | | Detail Rev. |
| Part Number Numéro Pièce 5412ESSSC160404PIP | | Rev. 12 0 |

| Qty | Part Number | Rev | Description |
|------------|----------------------|-----|-------------------------------------|
| 1 | 5412ESSSC160404PIP-P | 0 | 5412ESSSC 16" x 4" Inner Panel Part |
| Parts List | | | |