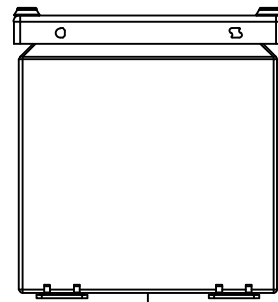
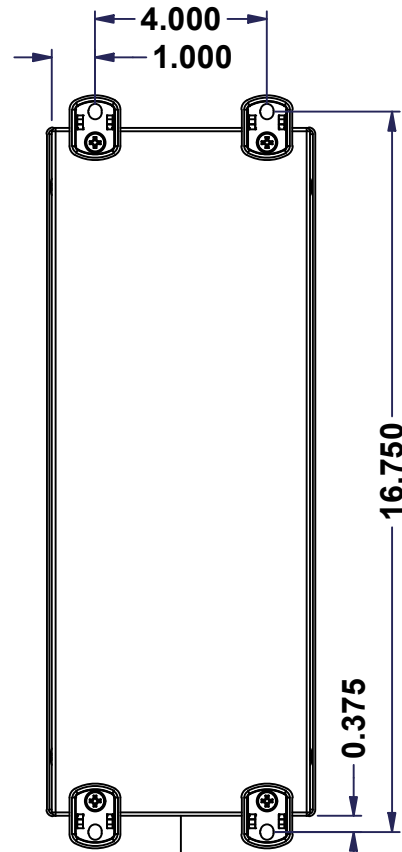


This drawing is confidential and must not be reproduced or used without the consent of EXM

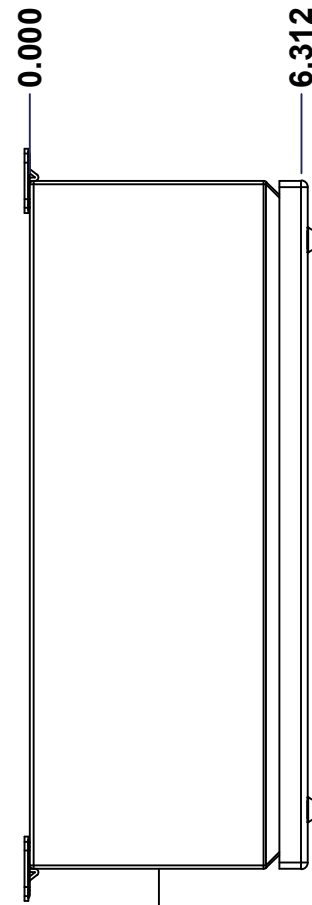
Ce dessin est confidentiel et ne doit pas être reproduit ou utilisé sans le consentement de EXM



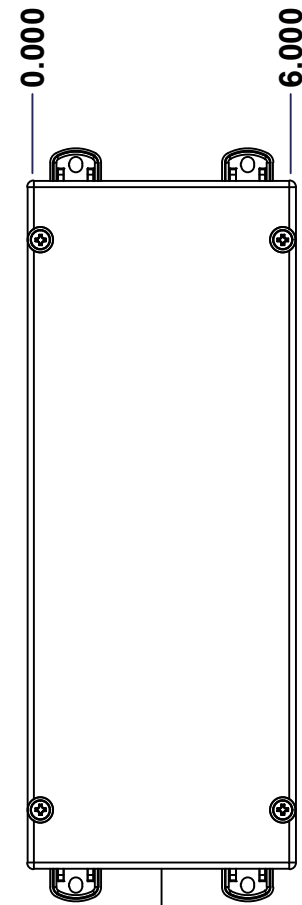
TOP



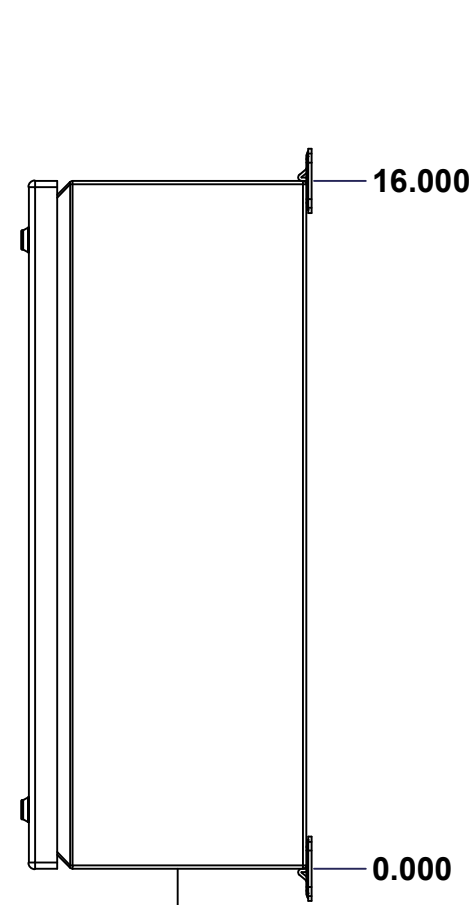
BACK



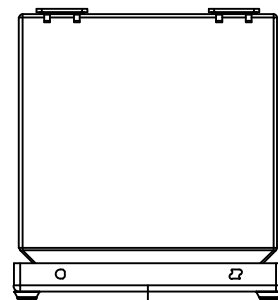
LEFT



FRONT

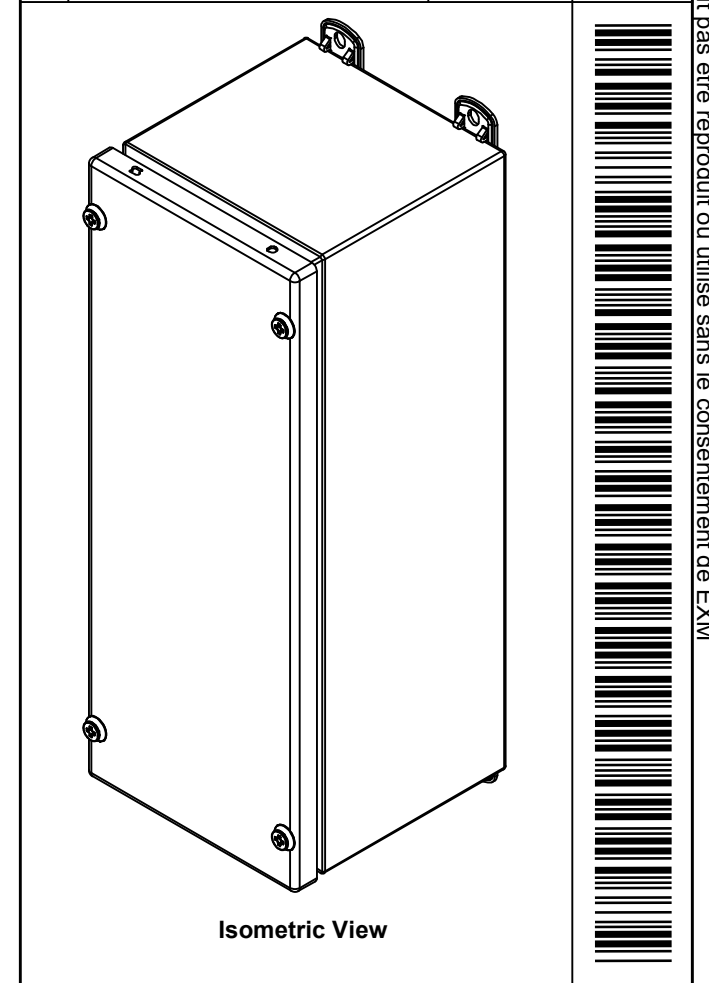


RIGHT




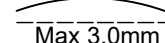
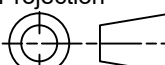
BOTTOM

No.	Revisions	Date	By/Par



Isometric View



 Tél: (450) 979-4373 Fax: (450) 979-4626 www.exmweb.com		Flatness Aplatissement  Max 3.0mm Projection 
Customer Client	Date	
Drawn By Dessiné Par	BoxCad: BoxCad	Date 29-Jan-26
Material Matière	16 Ga Stainless Steel 304 (1.4mm)	
Color Couleur	Asa-61 Grey	Finish Fini Smooth
Description	Detail Rev.	
5412ESSSC 16" x 6" x 6" Assembly		
Part Number Numéro Pièce	Rev.	1
5412ESSSC160606P	0	11

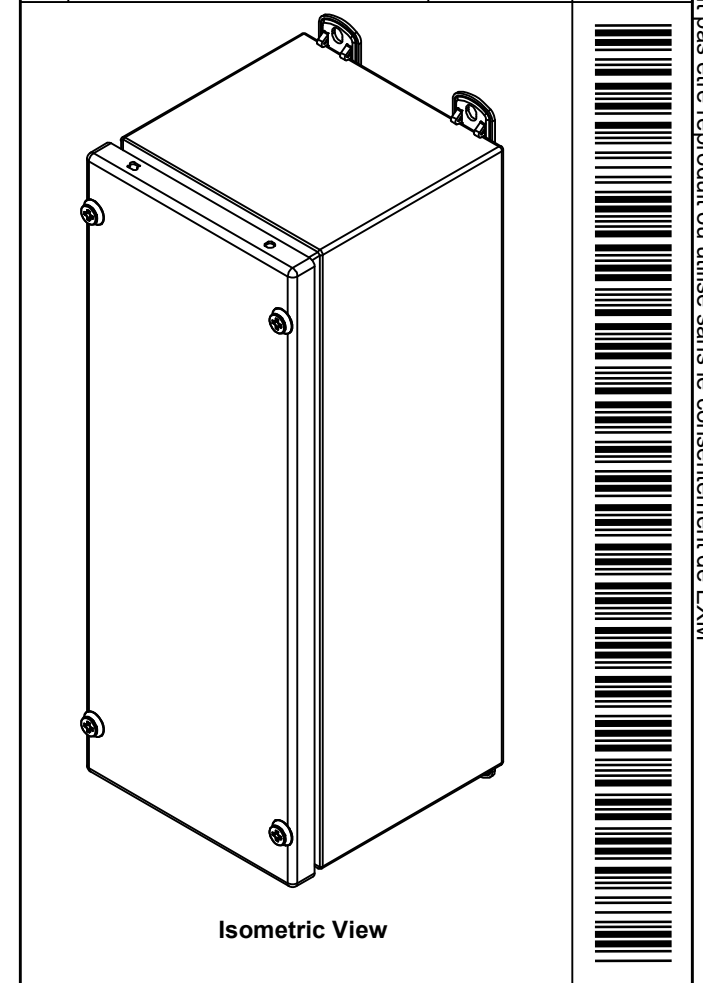
SEE BILL OF MATERIAL ON LAST PAGE


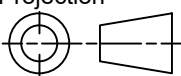
This drawing is confidential and must not be reproduced or used without the consent of EXM

Ce dessin est confidentiel et ne doit pas être reproduit ou utilisé sans le consentement de EXM

NOTE	
ITEM	DESCRIPTION
1	NEMA 4X Enclosure (IP66)
2	C/W Standard ground standoffs on box and cover
3	W/O Standard door stiffener
4	C/W Special inner panel (Sold separately)
5	C/W Standard inner panel mounting standoffs
6	C/W 885 ESCHMF2 Mounting Feet (Installed)

No.	Revisions	Date	By/Par



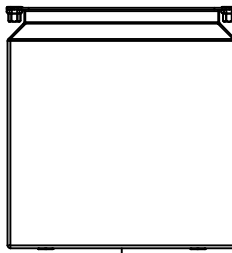
 Tél: (450) 979-4373 Fax: (450) 979-4626 www.exmweb.com		Flatness Aplatissement Max 3.0mm Projection 
Customer Client	Date	
Drawn By Dessiné Par	BoxCad: BoxCad	Date 29-Jan-26
Material Matière	16 Ga Stainless Steel 304 (1.4mm)	
Color Couleur	Asa-61 Grey	Finish Fini Smooth
Description	Detail Rev.	
5412ESSSC 16" x 6" x 6" Assembly		
Part Number Numéro Pièce	Rev. 0	2 / 11
5412ESSSC160606P		

PACKING		
ITEM	QTY	DESCRIPTION
Plastic bag	1	To protect cover surface and inside gasket
Packaging label	1	White label with product number
STK-S-01100	1	ESCH EXM SQUARE STICKER

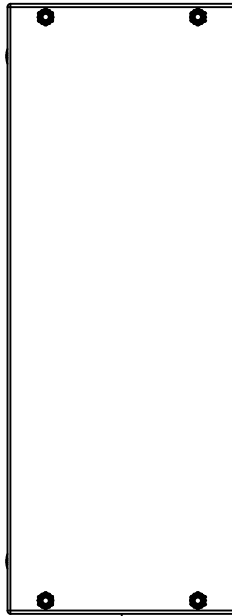
Qty	Part Number	Rev	Description
1	5412ESSSC160606PC	0	5412ESSSC 16" x 6" Cover
1	STK-K-02925	3	5412 ESSSC Accessory Kit
1	5412ESSSC160606PIP	0	5412ESSSC 16" x 6" Inner Panel
1	5412ESSSC160606PB	0	5412ESSSC 16" x 6" x 6" Body
Parts List			

This drawing is confidential and must not be reproduced or used without the consent of EXM

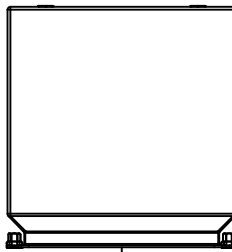
Ce dessin est confidentiel et ne doit pas être reproduit ou utilisé sans le consentement de EXM



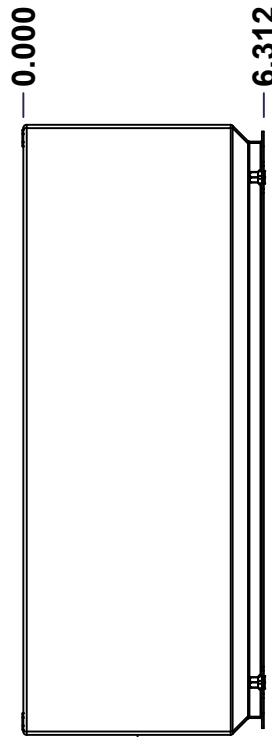
TOP



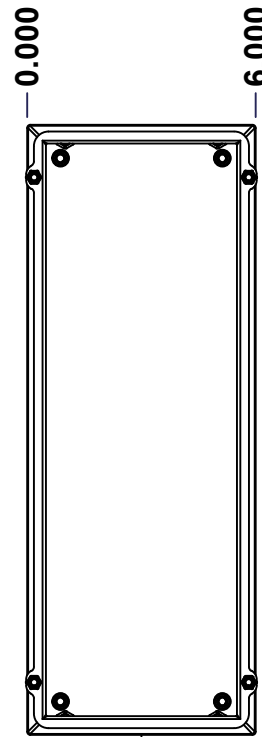
BACK



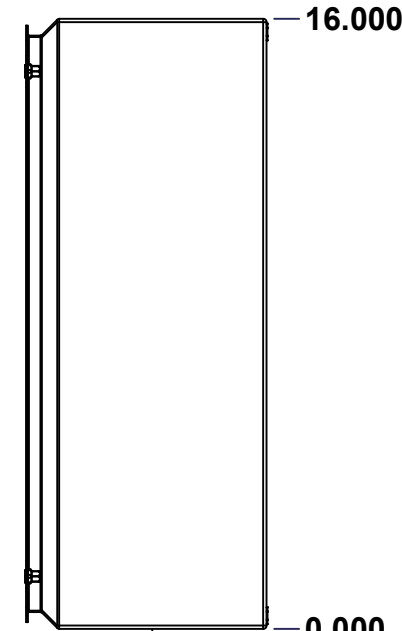
BOTTOM



LEFT

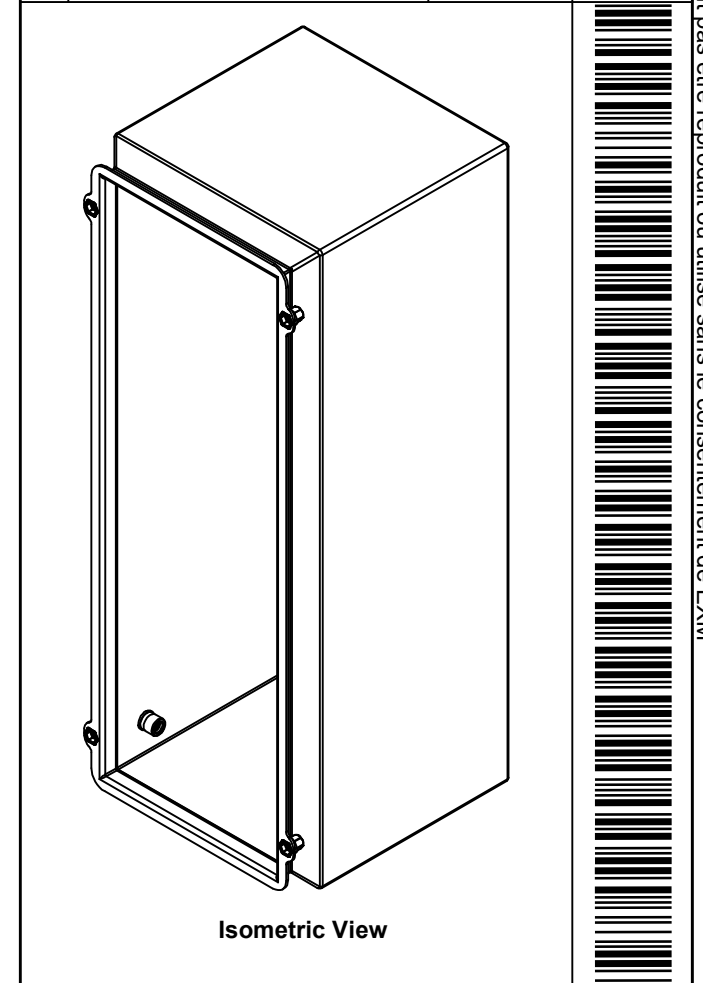


FRONT




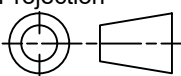
RIGHT

No.	Revisions	Date	By/Par



Isometric View



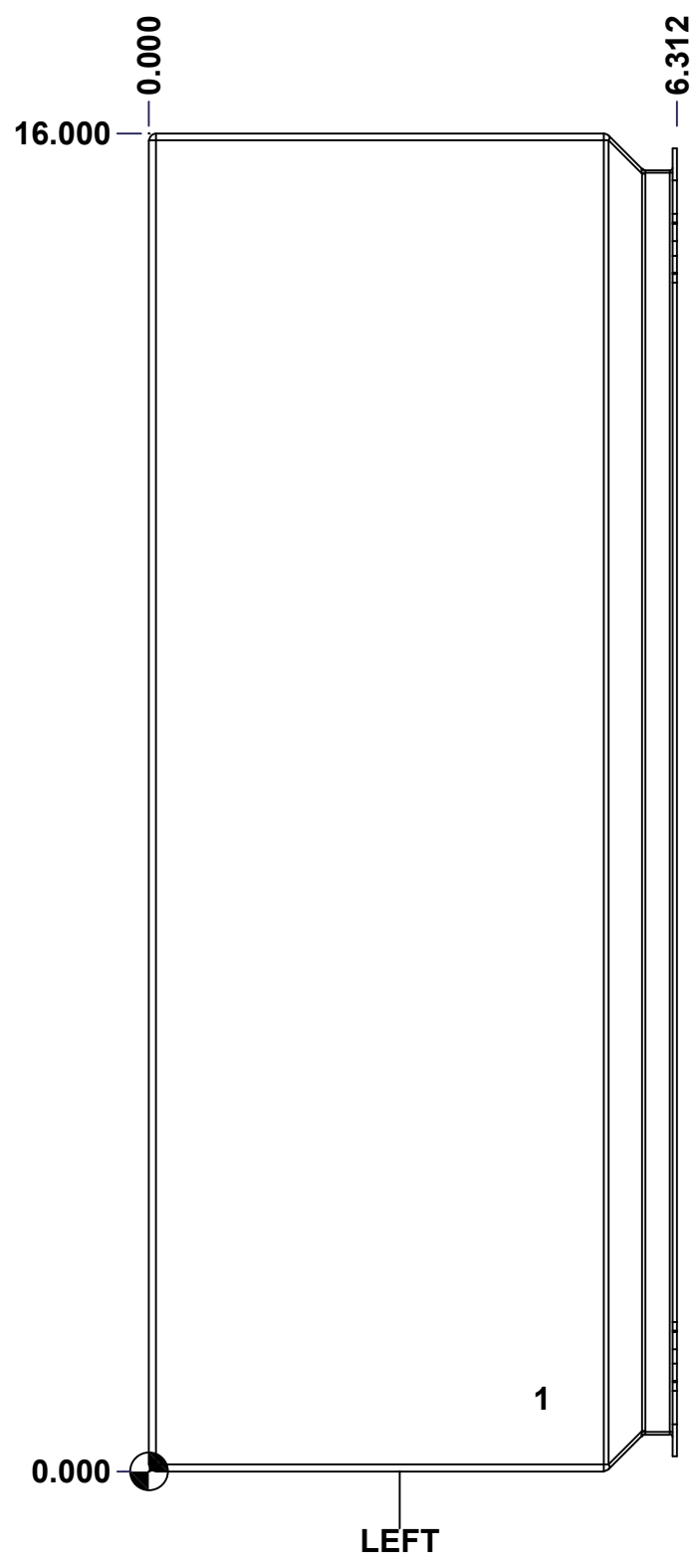
 Tél: (450) 979-4373 Fax: (450) 979-4626 www.exmweb.com		Flatness Aplatissement Max 3.0mm Projection 
Customer Client	Date	
Drawn By Dessiné Par	BoxCad: BoxCad	Date 29-Jan-26
Material Matière	16 Ga Stainless Steel 304 (1.4mm)	
Color Couleur	Asa-61 Grey	Finish Fini Smooth
Description	Detail Rev.	
5412ESSC 16" x 6" x 6" Body		
Part Number Numéro Pièce	Rev. 0	3 / 11
5412ESSC160606PB		

SEE BILL OF MATERIAL ON LAST PAGE

This drawing is confidential and must not be reproduced or used without the consent of EXM

Ce dessin est confidentiel et ne doit pas être reproduit ou utilisé sans le consentement de EXM

STANDARD FEATURES ARE NOT LISTED IN THIS HOLE TABLE			
HOLE TABLE - LEFT VIEW (CUSTOM FEATURE ONLY)			
CUT-OUT	XDIM	YDIM	DESCRIPTION
1	4.625	0.875	STANDOFF M6 x 10mm (Inside)



	Description	Status	
	5412ESSSC 16" x 6" x 6" Body	(NULL)	
	Part Number Numéro Pièce	Rev.	4
	5412ESSSC160606PB	0	11

This drawing is confidential and must not be reproduced or used without the consent of EXM

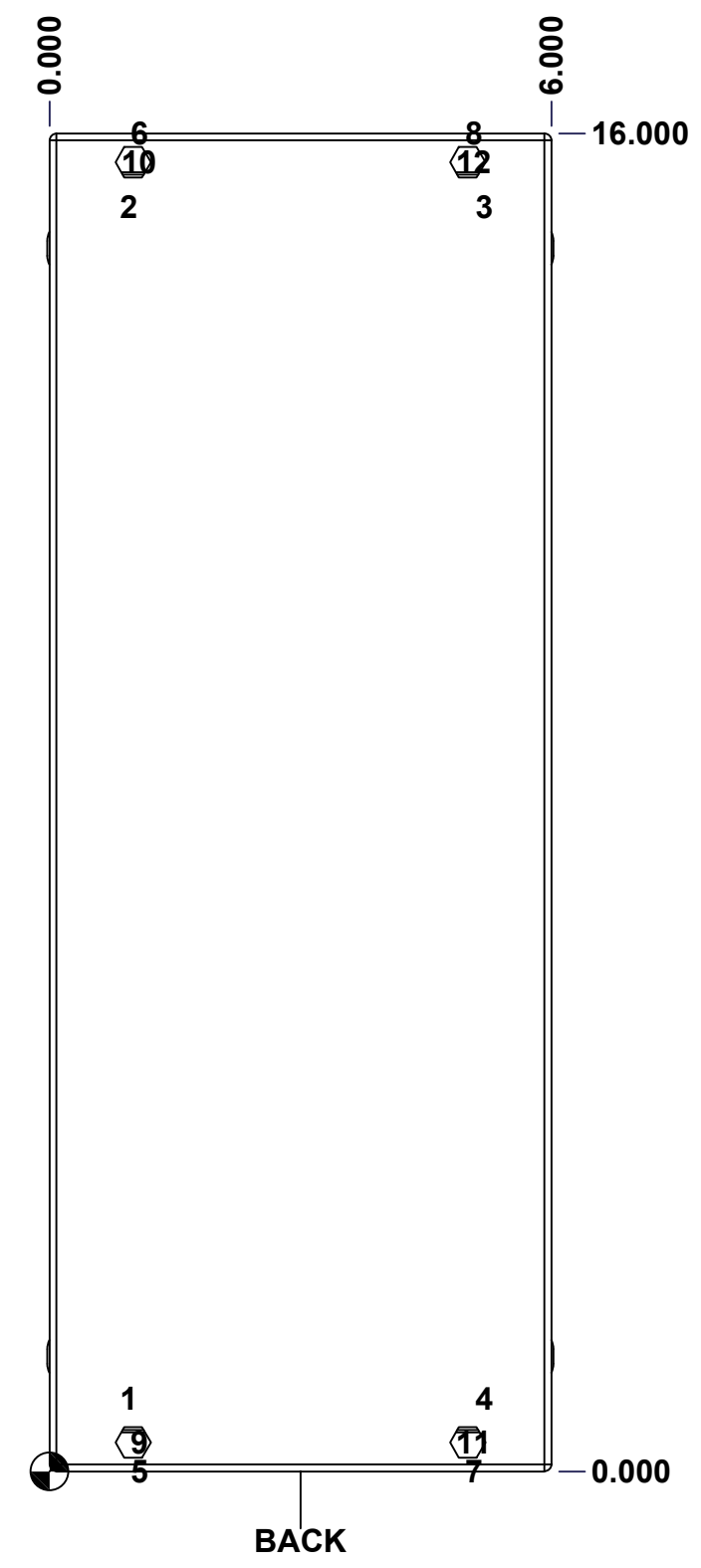
Ce dessin est confidentiel et ne doit pas être reproduit ou utilisé sans le consentement de EXM

STANDARD FEATURES ARE NOT LISTED IN THIS HOLE TABLE

HOLE TABLE - BACK VIEW (CUSTOM FEATURE ONLY)

CUT-OUT	XDIM	YDIM	DESCRIPTION
1	0.875	0.875	IP STANDOFF M6 x 10mm (Inside)
2	0.875	15.125	IP STANDOFF M6 x 10mm (Inside)
3	5.125	15.125	IP STANDOFF M6 x 10mm (Inside)
4	5.125	0.875	IP STANDOFF M6 x 10mm (Inside)

5	1.000	0.000	FOOT 885 ESCHMF2
6	1.000	16.000	FOOT 885 ESCHMF2
7	5.000	0.000	FOOT 885 ESCHMF2
8	5.000	16.000	FOOT 885 ESCHMF2
9	1.000	0.344	RIVET NUT M6_FH_CE (Inside)
10	1.000	15.656	RIVET NUT M6_FH_CE (Inside)
11	5.000	0.344	RIVET NUT M6_FH_CE (Inside)
12	5.000	15.656	RIVET NUT M6_FH_CE (Inside)

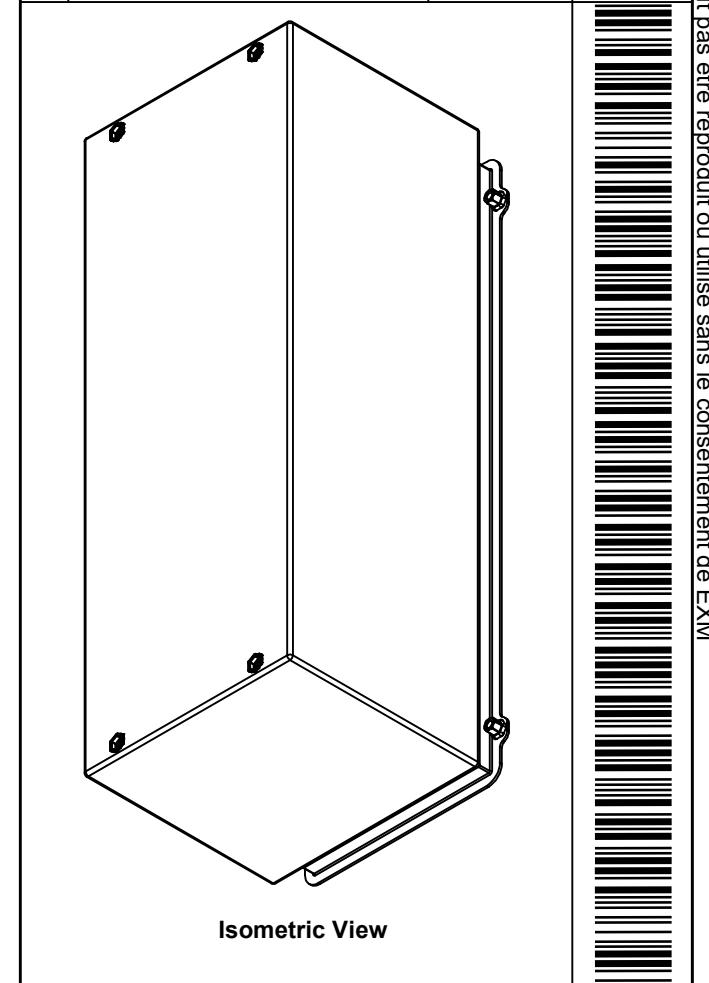


	Description	Status
	5412ESSSC 16" x 6" x 6" Body	(NULL)
	Part Number Numéro Pièce	Rev.
	5412ESSSC160606PB	0 / 5
		11


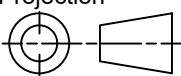
This drawing is confidential and must not be reproduced or used without the consent of EXM

Ce dessin est confidentiel et ne doit pas être reproduit ou utilisé sans le consentement de EXM

No.	Revisions	Date	By/Par



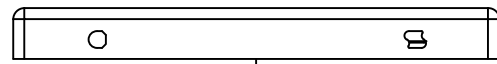
Isometric View

 Tél: (450) 979-4373 Fax: (450) 979-4626 www.exmweb.com		Flatness Aplatissement Max 3.0mm Projection 
Customer Client	Date	
Drawn By Dessiné Par	BoxCad: BoxCad	Date 29-Jan-26
Material Matière	16 Ga Stainless Steel 304 (1.4mm)	
Color Couleur	Asa-61 Grey	Finish Fini Smooth
Description		Detail Rev.
5412ESSSC 16" x 6" x 6" Body		
Part Number Numéro Pièce	Rev. 0	6 / 11
5412ESSSC160606PB		

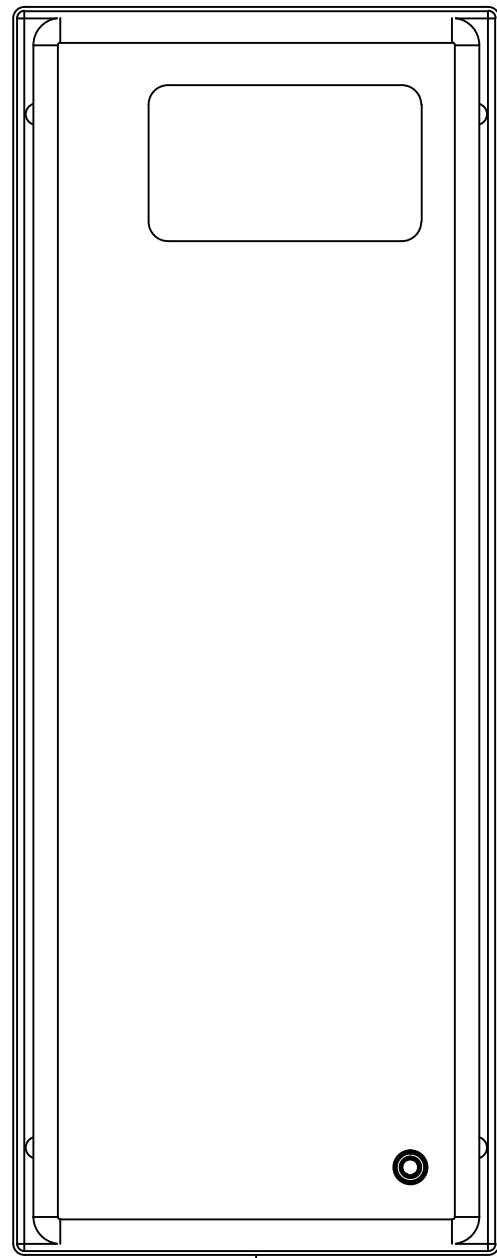
Qty	Part Number	Rev	Description
4	RIVET_NUT_SS_M6_FH_CE	0	Stainless Steel Rivet Nut M6 (Low Profile Close End)
1	STK-P-02400S	0	Powder Paint (Asa-61 Grey / Smooth)
4	RIVET_NUT_SS_M5_FH_OE	0	Stainless Steel Rivet Nut M5 (Low Profile Open End)
1	5412ESSSC160606PB-P	0	5412ESSSC 16" x 6" x 6" Body Part
5	STK-Q-08500	4	Stainless Steel Standoff M6 x 10mm
Parts List			

This drawing is confidential and must not be reproduced or used without the consent of EXM

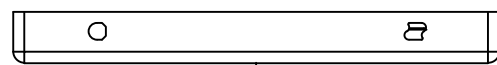
Ce dessin est confidentiel et ne doit pas être reproduit ou utilisé sans le consentement de EXM



TOP

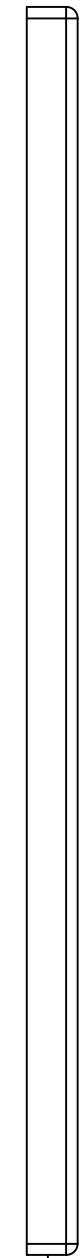


BACK



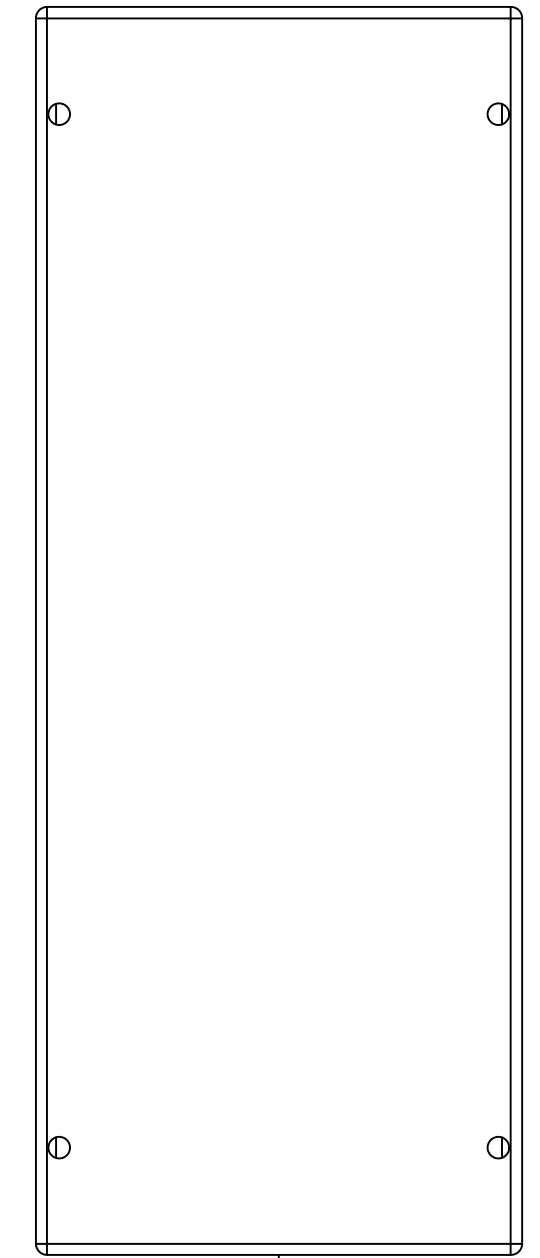
BOTTOM

0.000
0.656



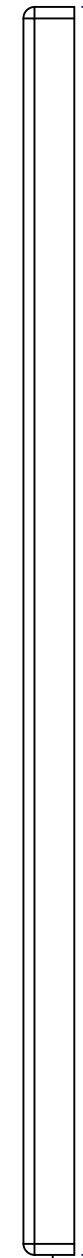
LEFT

0.000
6.236



FRONT

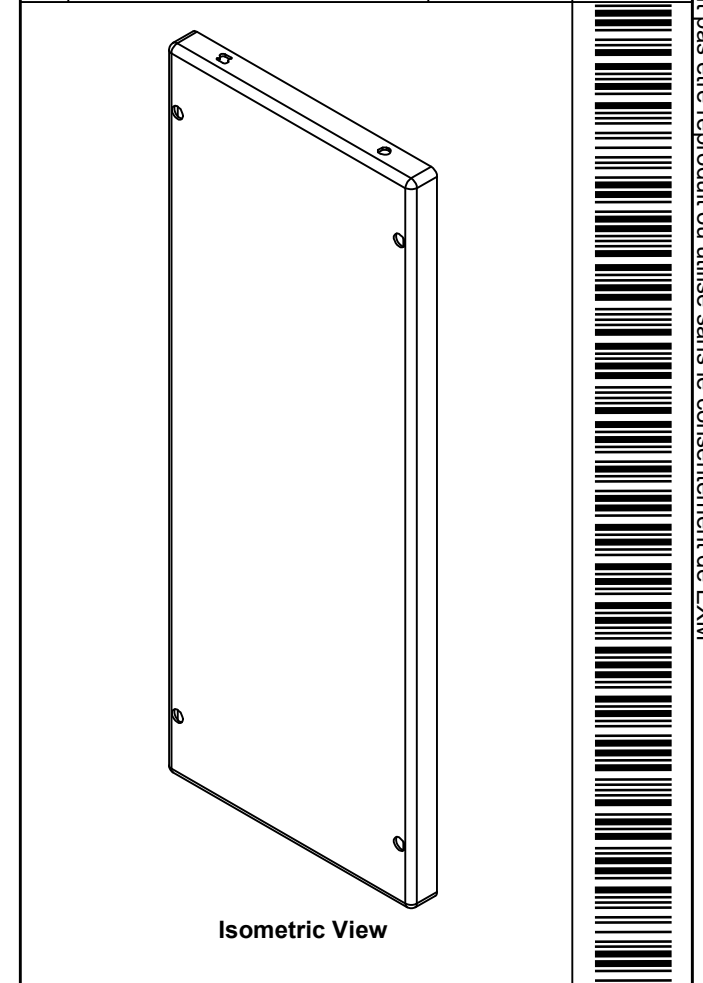
16.000



RIGHT


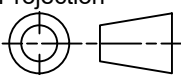
0.000

No.	Revisions	Date	By/Par



Isometric View



 Tél: (450) 979-4373 Fax: (450) 979-4626 www.exmweb.com		Flatness Aplatissement Max 3.0mm Projection 
Customer Client	Date	
Drawn By Dessiné Par	BoxCad: BoxCad	Date 29-Jan-26
Material Matière	16 Ga Stainless Steel 304 (1.4mm)	
Color Couleur	Asa-61 Grey	Finish Fini Smooth
Description	Detail Rev.	
5412ESSSC 16" x 6" Cover		
Part Number Numéro Pièce	Rev. 0	7 / 11

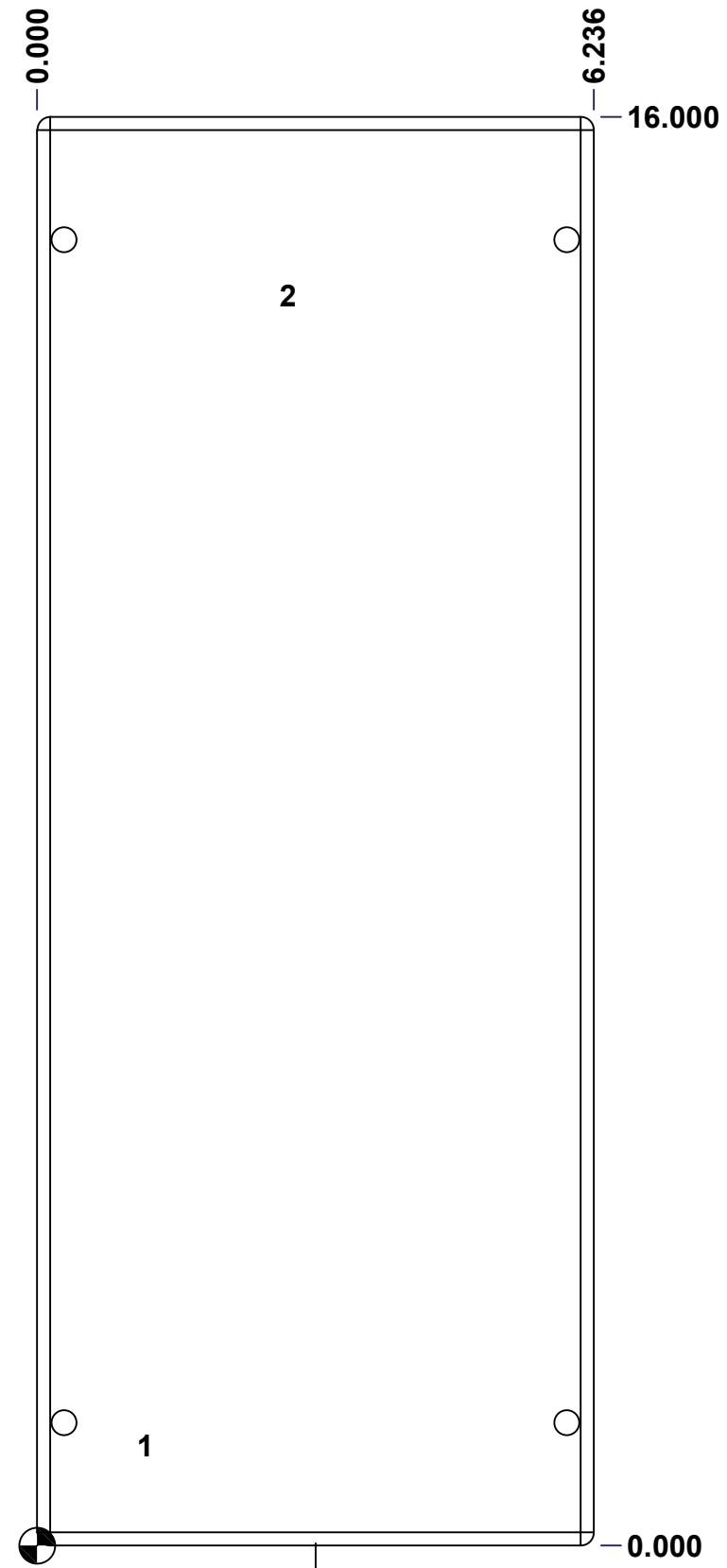
SEE BILL OF MATERIAL ON LAST PAGE

5412ESSSC160606PC

This drawing is confidential and must not be reproduced or used without the consent of EXM

Ce dessin est confidentiel et ne doit pas être reproduit ou utilisé sans le consentement de EXM

STANDARD FEATURES ARE NOT LISTED IN THIS HOLE TABLE			
HOLE TABLE - FRONT VIEW (CUSTOM FEATURE ONLY)			
CUT-OUT	XDIM	YDIM	DESCRIPTION
1	1.145	1.125	STANDOFF M6 x 10mm (Inside)
2	2.750	14.000	LABEL_EXM (Inside)



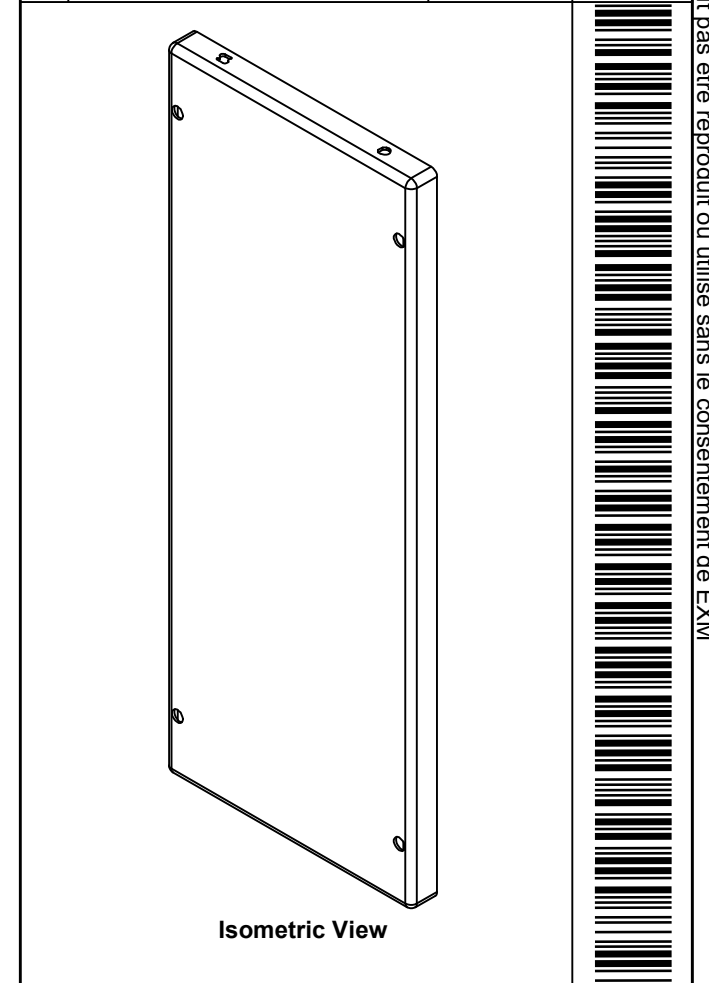
FRONT

	Description	Status	
	5412ESSSC 16" x 6" Cover	(NULL)	
	Part Number Numéro Pièce	Rev.	8
	5412ESSSC160606PC	0	11

This drawing is confidential and must not be reproduced or used without the consent of EXM

Ce dessin est confidentiel et ne doit pas être reproduit ou utilisé sans le consentement de EXM

No.	Revisions	Date	By/Par

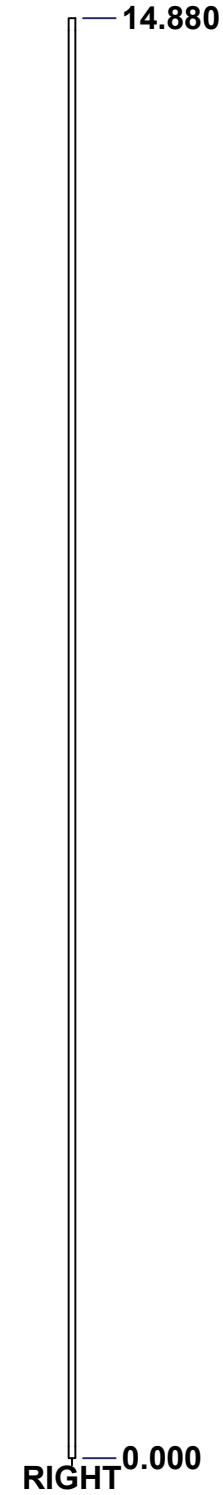
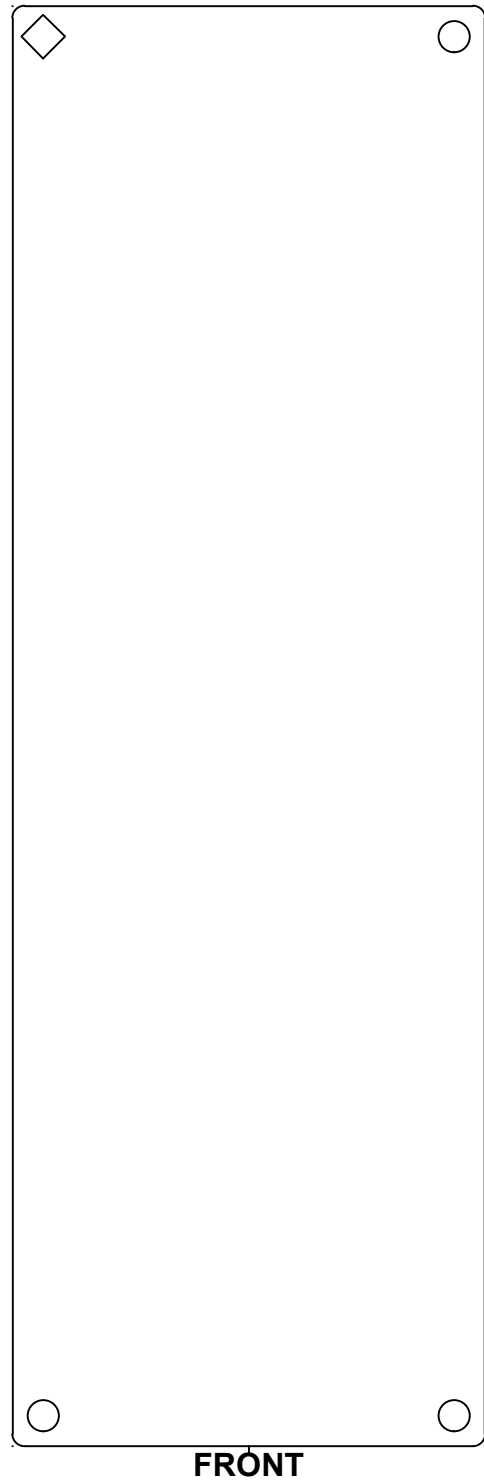
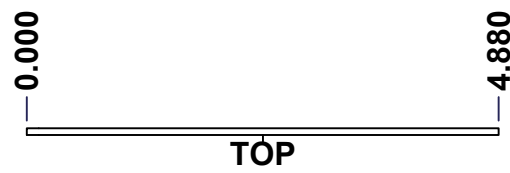


Tél: (450) 979-4373 Fax: (450) 979-4626 www.exmweb.com		Flatness Aplatissement
		Max 3.0mm
Customer Client		Date
Drawn By Dessiné Par	BoxCad: BoxCad	Date 29-Jan-26
Material Matière: 16 Ga Stainless Steel 304 (1.4mm)		
Color Couleur: Asa-61 Grey	Finish Fini: Smooth	
Description: 5412ESSSC 16" x 6" Cover		Detail Rev.
Part Number Numéro Pièce: 5412ESSSC160606PC		Rev. 0

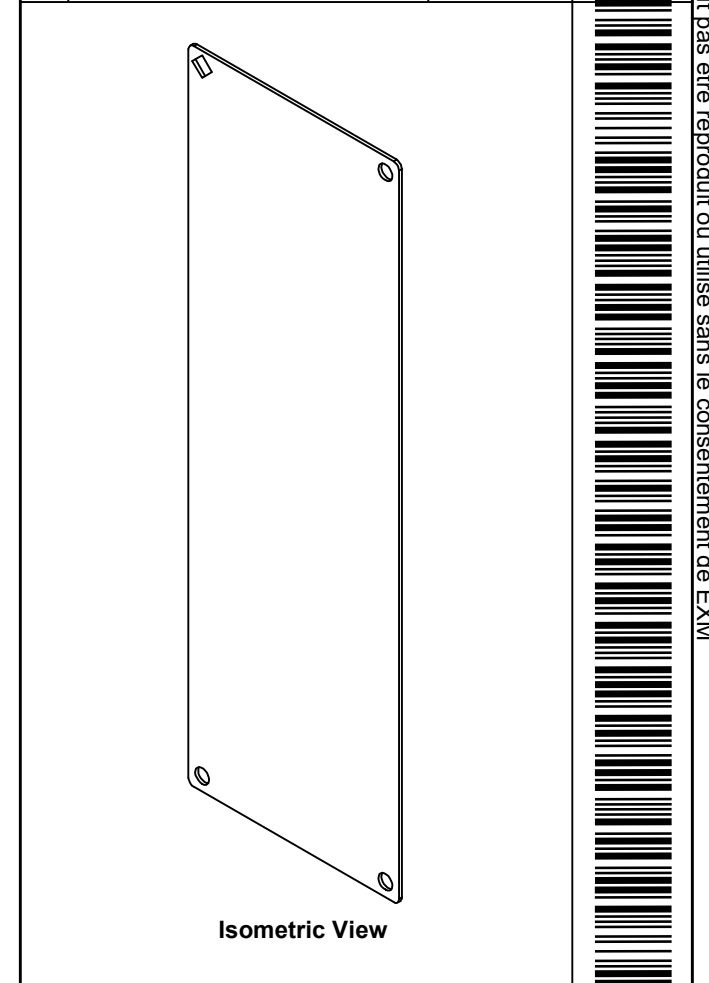
1	STK-S-00100	0	3.5" x 2" Silver Milar Flexcon Sticker
1	STK-Q-08500	4	Stainless Steel Standoff M6 x 10mm
1	STK-P-02400S	0	Powder Paint (Asa-61 Grey / Smooth)
1	5412ESSSC160606PG	0	5412ESSSC 16" x 6" Gasket
1	5412ESSSC160606PC-P	0	5412ESSSC 16" x 6" Cover Part
QTY	Part Number	Rev	Description
Parts List			


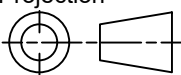
This drawing is confidential and must not be reproduced or used without the consent of EXM

Ce dessin est confidentiel et ne doit pas être reproduit ou utilisé sans le consentement de EXM



No.	Revisions	Date	By/Par



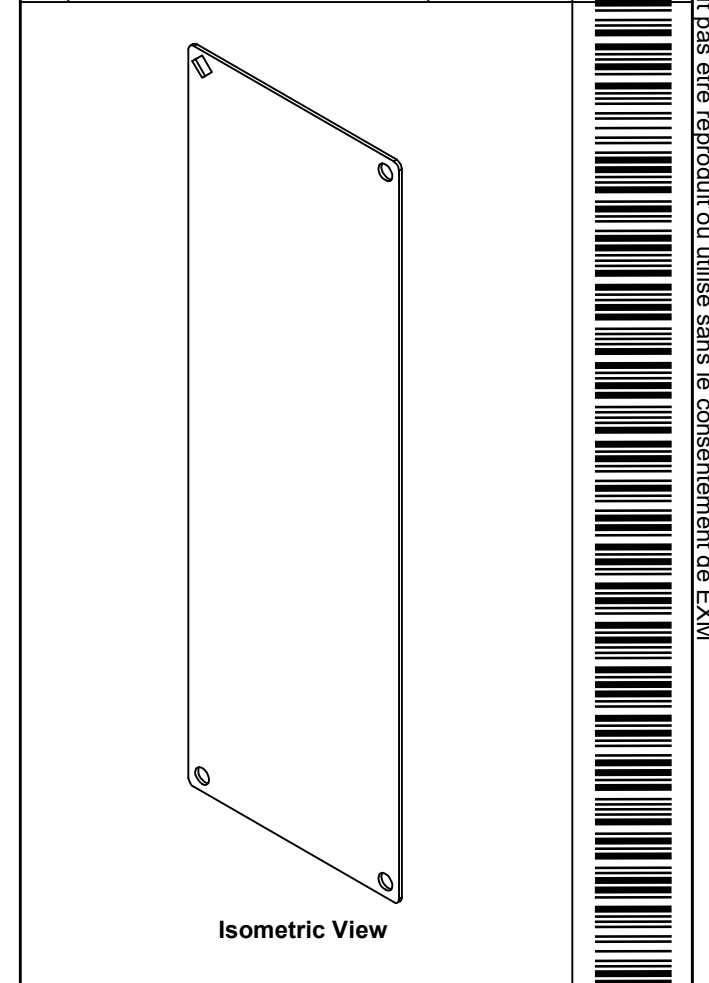
 Tél: (450) 979-4373 Fax: (450) 979-4626 www.exmweb.com		Flatness Aplatissement Max 3.0mm Projection 
Customer Client	Date	
Drawn By Dessiné Par	BoxCad: BoxCad	Date 29-Jan-26
Material Matière	14 Ga Galvanized (1.7mm)	
Color Couleur	Unpainted	Finish Fini Unpainted
Description	Detail Rev.	
5412ESSSC 16" x 6" Inner Panel		
Part Number Numéro Pièce	Rev.	10
5412ESSSC160606PIP	0	11

SEE BILL OF MATERIAL ON LAST PAGE


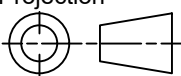
This drawing is confidential and must not be reproduced or used without the consent of EXM

Ce dessin est confidentiel et ne doit pas être reproduit ou utilisé sans le consentement de EXM

No.	Revisions	Date	By/Par



Isometric View

 Tél: (450) 979-4373 Fax: (450) 979-4626 www.exmweb.com		Flatness Aplatissement Max 3.0mm
Customer Client		Projection 
Drawn By / Dessiné Par: BoxCad: BoxCad		Date: 29-Jan-26
Material / Matière: 14 Ga Galvanized (1.7mm)		
Color / Couleur: Unpainted	Finish / Fini: Unpainted	
Description: 5412ESSSC 16" x 6" Inner Panel		Detail Rev.
Part Number / Numéro Pièce: 5412ESSSC160606PIP		Rev. 0 / 11

Qty	Part Number	Rev	Description
1	5412ESSSC160606PIP-P	0	5412ESSSC 16" x 6" Inner Panel Part
Parts List			