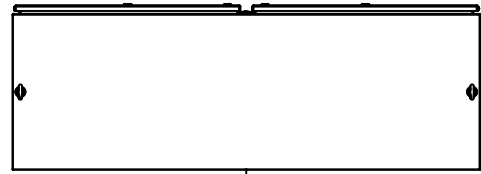
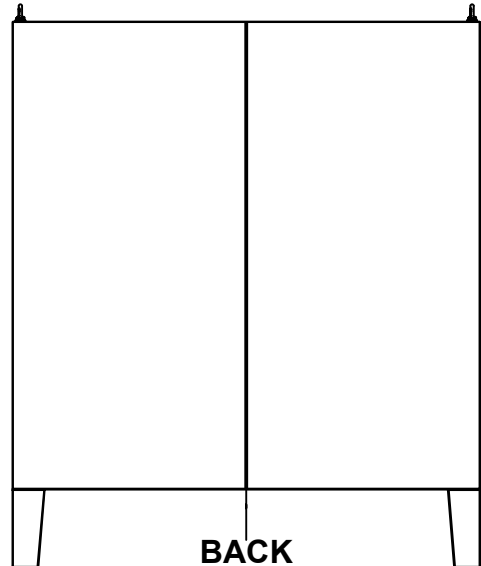


This drawing is confidential and must not be reproduced or used without the consent of EXM

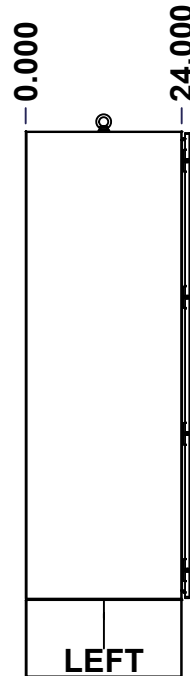
Ce dessin est confidentiel et ne doit pas être reproduit ou utilisé sans le consentement de EXM



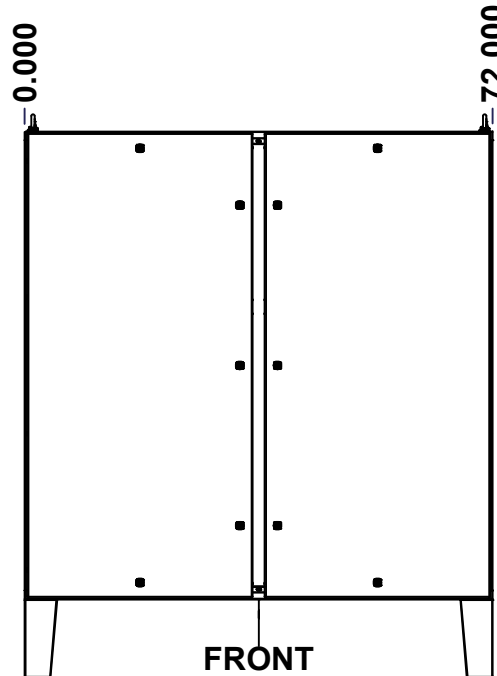
TOP



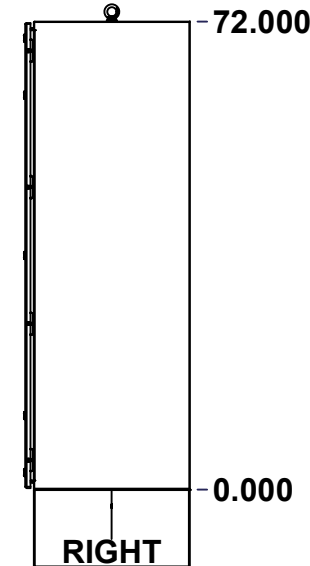
BACK



LEFT



FRONT

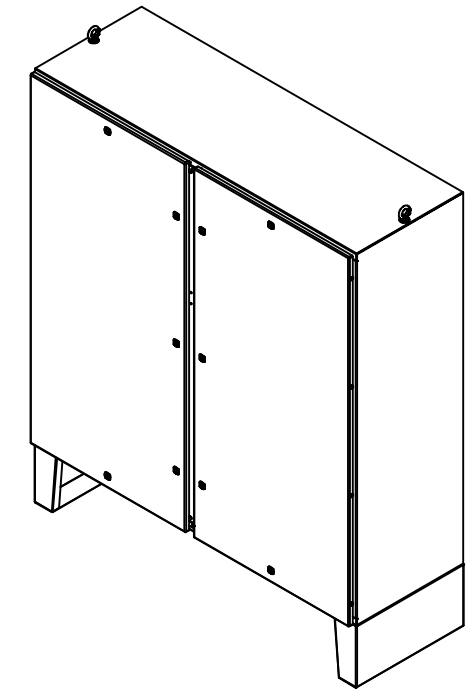


RIGHT



BOTTOM

No.	Revisions	Date	By/Par


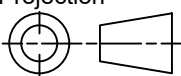


Isometric View



**GRAIN DIRECTION:  
TOP/BOTTOM: HORIZONTAL  
LEFT/RIGHT/BACK/FRONT: VERTICAL  
MOUNTING FEET: VERTICAL**

SEE BILL OF MATERIAL ON LAST PAGE

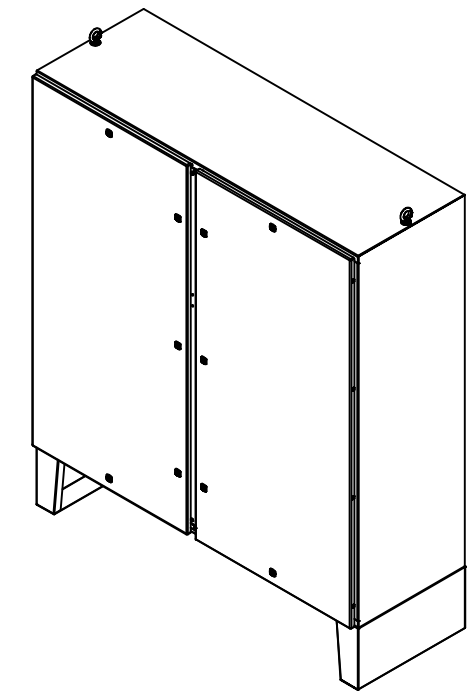
 Tél: (450) 979-4373 Fax: (450) 979-4626 <a href="http://www.exmweb.com">www.exmweb.com</a>		Flatness Aplatissement Max 3.0mm Projection 
Customer Client	Date	
Drawn By Dessiné Par	BoxCad: BoxCad	Date 21-Oct-19
Material Matière	12 Ga Stainless Steel 304 (2.5mm)	
Color Couleur	Unpainted	Finish Fini Brushed
Description	Detail Rev.	
5412SSDD 72" x 72" x 24" Assembly		
Part Number Numéro Pièce	Rev.	1
5412SSDD727224	0	18

This drawing is confidential and must not be reproduced or used without the consent of EXM

Ce dessin est confidentiel et ne doit pas être reproduit ou utilisé sans le consentement de EXM

NOTE	
ITEM	DESCRIPTION
1	NEMA 4X Enclosure (IP66)
2	C/W Standard ground studs on box and cover
3	C/W Standard door stiffener
4	C/W Standard inner panel (Included)
5	C/W Standard inner panel mounting studs
6	C/W Eyebolts sold separately (Installed by EXM)
7	C/W Mounting feet sold separately (Installed)
8	C/W Struts installed (Included)
9	C/W Interlock Kit (Installed by EXM)


No.	Revisions	Date	By/Par



Isometric View

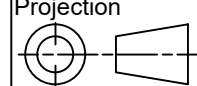
PACKING		
ITEM	QTY	DESCRIPTION
Cardboard sleeve	2	Top and Bottom
Cardboard strip	2	Between back of enclosure and inner panel
Plastic bag	1	To protect cover surface and inside gasket
Cardboard corner	4	To reinforced for the plastic strap tightening
Plastic strap - Black	2	To Squeeze 2 cardboard sleeve together
Packaging label	3	White label with PN
Plastic strap- Green	2	To secure the enclosure to the wood pallet
Wood Pallet	1	2" deeper and 3" larger than enclosure size

1	5412SSDD727224MF	0	885 MFHD 12" x 24" Mounting Feet
10	STK-Q-07320	0	Flange Lock Nut M10
1	885SP7272	0	885 SP7272 Inner Panel
1	880INTI	4	880 INTI - Interlock Post Kit
1	880EB14SS	2	Stainless Steel Eye Bolt M14 (Pack of 2)
10	STK-Q-07620	0	M10 Plastic Spacer 0.875"
1	5412SSDD727224FD	0	5412SSDD 72" x 72" Master Door
1	5412SSDD727224LD	0	5412SSDD 72" x 72" Slave Door
1	5412SSDD727224B	0	5412SSDD 72" x 72" x 24" Body
2	5412SSDD727224GP	0	5412SSDD Gland Plate
8	STK-Q-04051-07	8	M6 x 7mm Stainless Steel Hexagon Socket Head Machine Screw with Nyseal
Qty	Part Number	Rev	Description
Parts List			



Tél: (450) 979-4373  
Fax: (450) 979-4626  
[www.exmweb.com](http://www.exmweb.com)

Flatness  
Aplatissement  
Max 3.0mm

Projection  


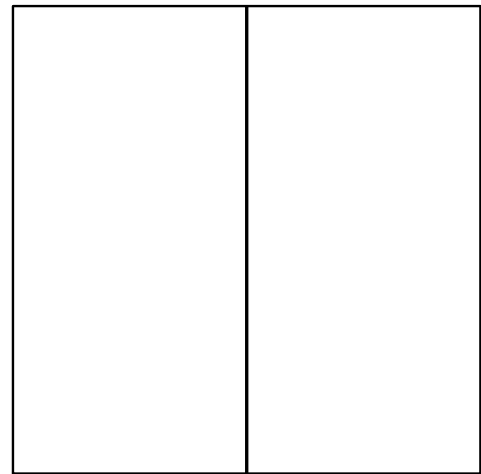
Customer Client		Date
Drawn By Dessiné Par: BoxCad: BoxCad		Date: 21-Oct-19
Material Matière: 12 Ga Stainless Steel 304 (2.5mm)		
Color Couleur: Unpainted	Finish Fini: Brushed	
Description: 5412SSDD 72" x 72" x 24" Assembly		Detail Rev.
Part Number Numéro Pièce: <b>5412SSDD727224</b>		Rev. 0
		2 / 18

This drawing is confidential and must not be reproduced or used without the consent of EXM

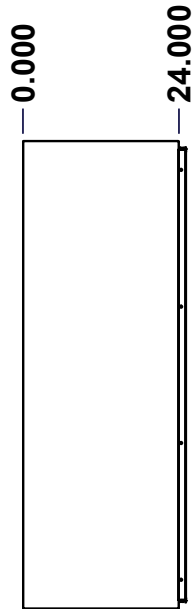
Ce dessin est confidentiel et ne doit pas être reproduit ou utilisé sans le consentement de EXM



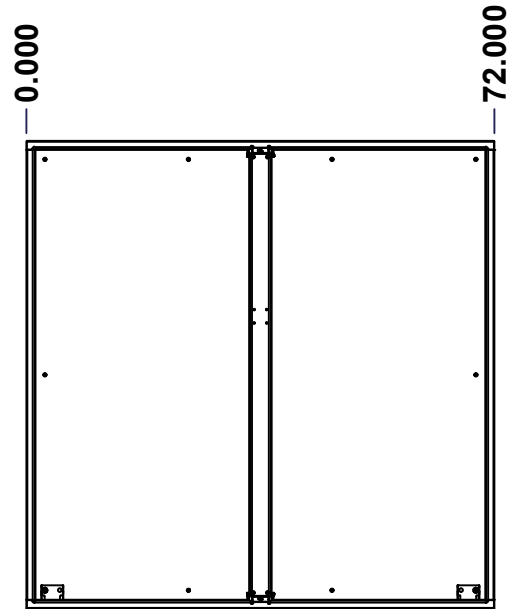
TOP



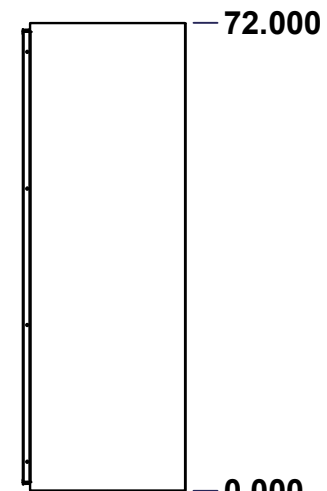
BACK



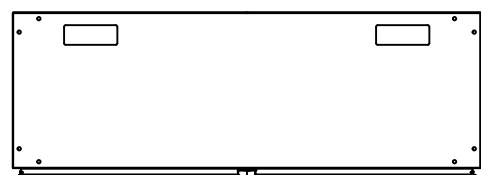
LEFT



FRONT

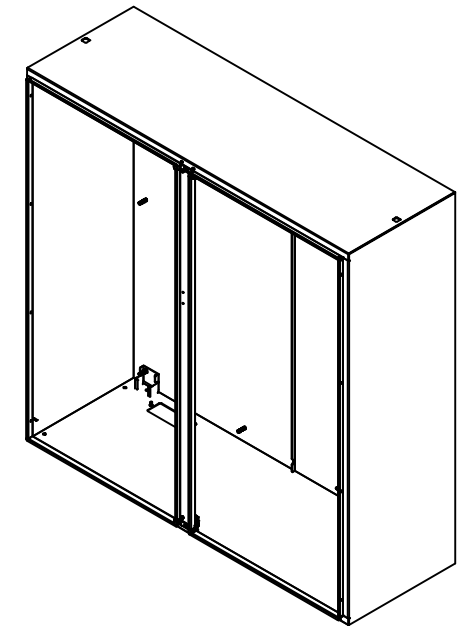


RIGHT



BOTTOM

No.	Revisions	Date	By/Par



Isometric View



Tél: (450) 979-4373  
 Fax: (450) 979-4626  
[www.exmweb.com](http://www.exmweb.com)

Flatness  
Aplatissement

Max 3.0mm

Projection



Customer Client	Date
Drawn By Dessiné Par BoxCad: BoxCad	Date 21-Oct-19
Material Matière 12 Ga Stainless Steel 304 (2.5mm)	
Color Couleur Unpainted	Finish Fini Brushed
Description 5412SSDD 72" x 72" x 24" Body	Detail Rev.
Part Number Numéro Pièce 5412SSDD727224B	Rev. 3
	0

SEE BILL OF MATERIAL ON LAST PAGE

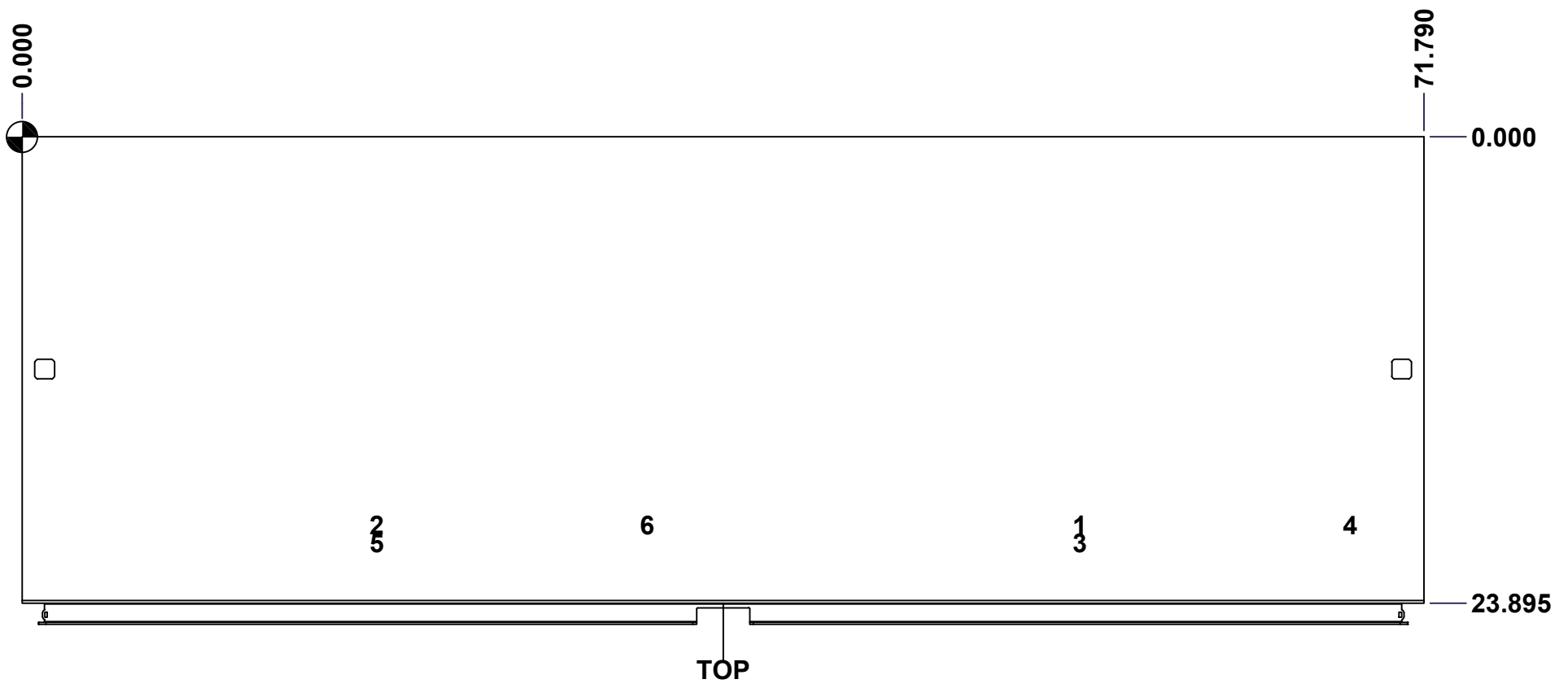
This drawing is confidential and must not be reproduced or used without the consent of EXM

Ce dessin est confidentiel et ne doit pas être reproduit ou utilisé sans le consentement de EXM

**STANDARD FEATURES ARE NOT LISTED IN THIS HOLE TABLE**

**HOLE TABLE - TOP VIEW (CUSTOM FEATURE ONLY)**

CUT-OUT	XDIM	YDIM	DESCRIPTION
1	53.895	19.895	Struts CR400 27.500" (Inside)
2	17.895	19.895	Struts CR400 27.500" (Inside)
3	53.895	20.824	STUDS M6 x 10mm (Inside)
4	67.761	19.895	STUDS M6 x 10mm (Inside)
5	17.895	20.824	STUDS M6 x 10mm (Inside)
6	31.761	19.895	STUDS M6 x 10mm (Inside)



	Description	Status	
	5412SSDD 72" x 72" x 24" Body	(NULL)	
	Part Number Numéro Pièce	Rev.	4
	<b>5412SSDD727224B</b>	<b>0</b>	18

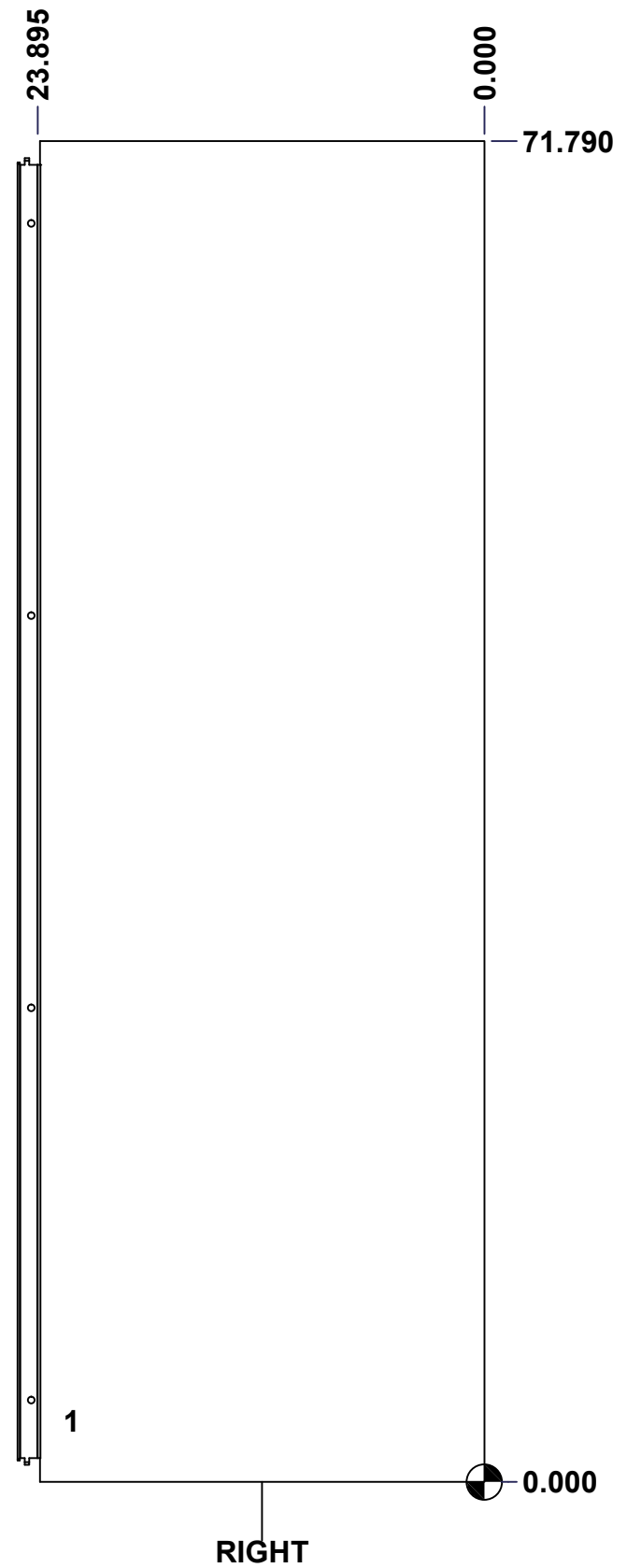
This drawing is confidential and must not be reproduced or used without the consent of EXM

Ce dessin est confidentiel et ne doit pas être reproduit ou utilisé sans le consentement de EXM

**STANDARD FEATURES ARE NOT LISTED IN THIS HOLE TABLE**

**HOLE TABLE - RIGHT VIEW (CUSTOM FEATURE ONLY)**

CUT-OUT	XDIM	YDIM	DESCRIPTION
1	22.395	3.270	GND STUD M6 x 16mm (Inside)



	Description		Status
	5412SSDD 72" x 72" x 24" Body		(NULL)
Part Number Numéro Pièce		Rev.	5
<b>5412SSDD727224B</b>		<b>0</b>	18

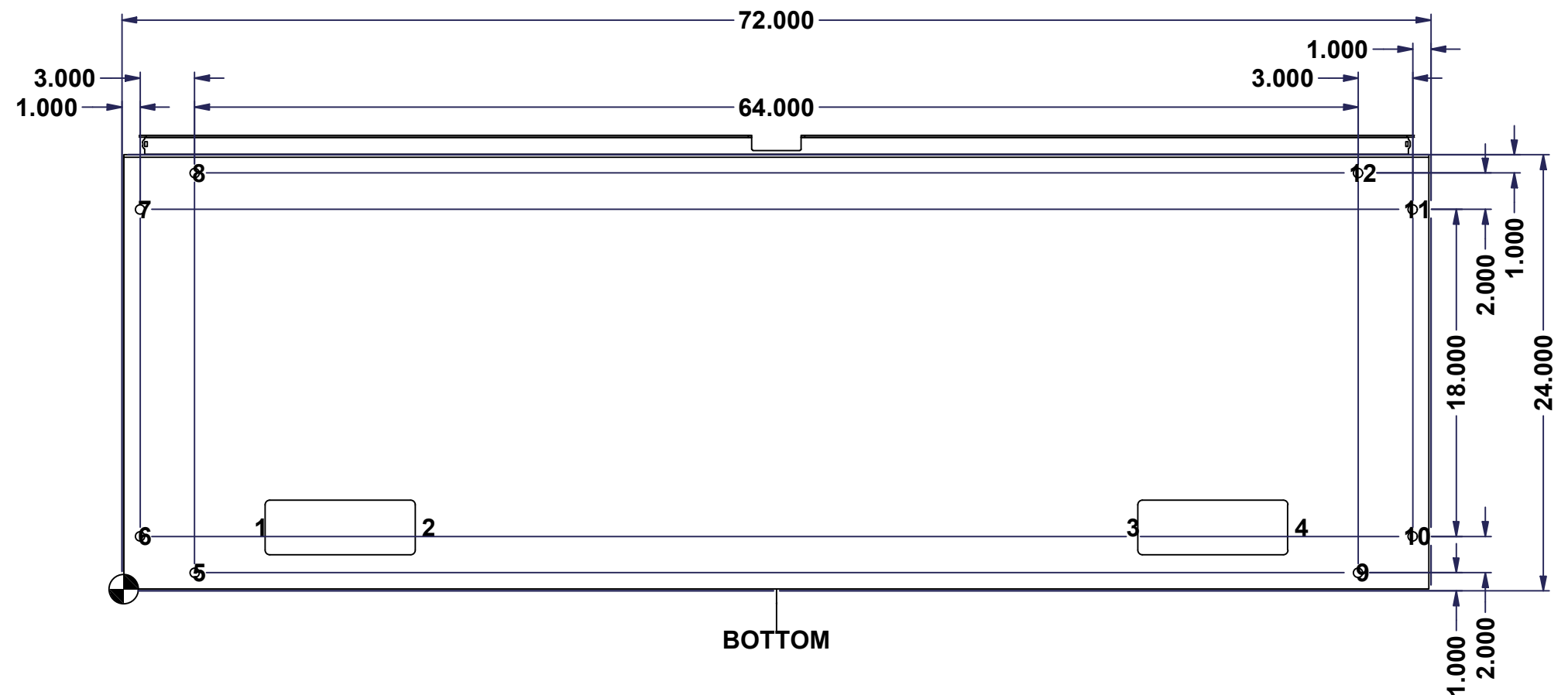
This drawing is confidential and must not be reproduced or used without the consent of EXM

Ce dessin est confidentiel et ne doit pas être reproduit ou utilisé sans le consentement de EXM

**STANDARD FEATURES ARE NOT LISTED IN THIS HOLE TABLE**

**HOLE TABLE - BOTTOM VIEW (CUSTOM FEATURE ONLY)**

CUT-OUT	XDIM	YDIM	DESCRIPTION
1	7.270	3.395	GP STUD M6 x 16mm (Inside)
2	16.520	3.395	GP STUD M6 x 16mm (Inside)
3	55.270	3.395	GP STUD M6 x 16mm (Inside)
4	64.520	3.395	GP STUD M6 x 16mm (Inside)
-----			
5	3.895	0.895	RND Ø0.500
6	0.895	2.895	RND Ø0.500
7	0.895	20.895	RND Ø0.500
8	3.895	22.895	RND Ø0.500
9	67.895	0.895	RND Ø0.500
10	70.895	2.895	RND Ø0.500
11	70.895	20.895	RND Ø0.500
12	67.895	22.895	RND Ø0.500

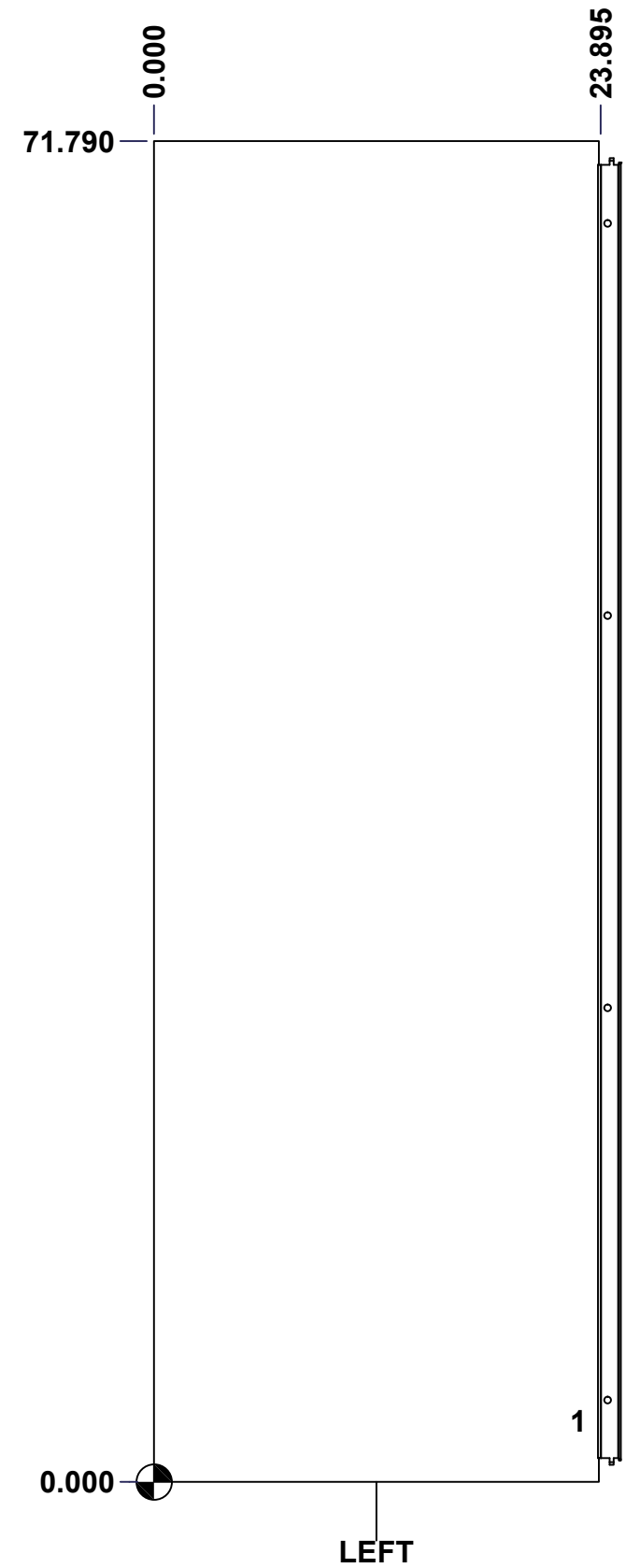


	Description	Status
	5412SSDD 72" x 72" x 24" Body	(NULL)
	Part Number	Rev.
	5412SSDD727224B	6
		0
		18

This drawing is confidential and must not be reproduced or used without the consent of EXM

Ce dessin est confidentiel et ne doit pas être reproduit ou utilisé sans le consentement de EXM

<b>STANDARD FEATURES ARE NOT LISTED IN THIS HOLE TABLE</b>			
<b>HOLE TABLE - LEFT VIEW (CUSTOM FEATURE ONLY)</b>			
CUT-OUT	XDIM	YDIM	DESCRIPTION
1	22.395	3.270	GND STUD M6 x 16mm (Inside)



	Description	Status	
	5412SSDD 72" x 72" x 24" Body	(NULL)	
	Part Number Numéro Pièce	Rev.	7
	<b>5412SSDD727224B</b>	<b>0</b>	18

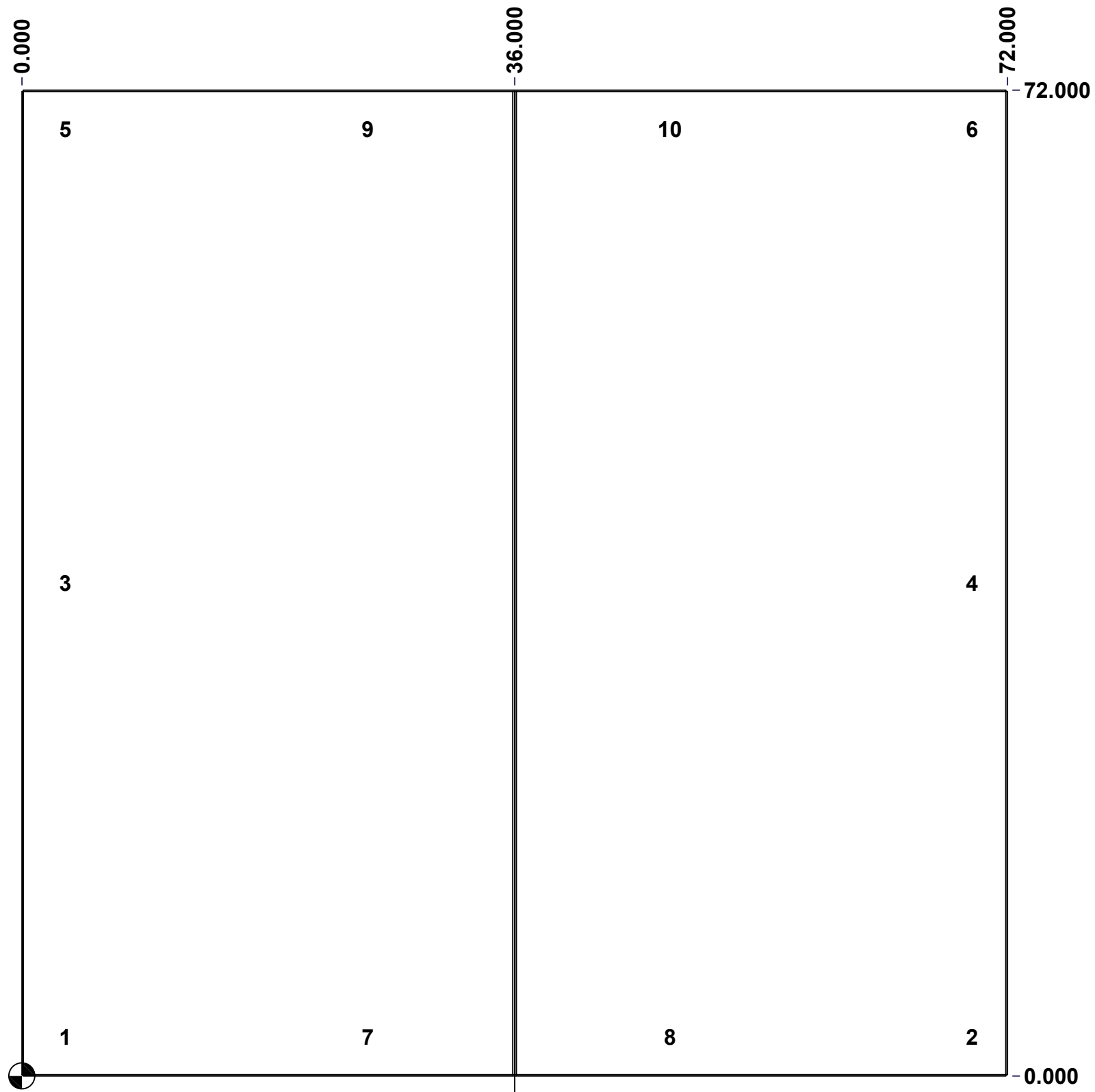
This drawing is confidential and must not be reproduced or used without the consent of EXM

Ce dessin est confidentiel et ne doit pas être reproduit ou utilisé sans le consentement de EXM

**STANDARD FEATURES ARE NOT LISTED IN THIS HOLE TABLE**

**HOLE TABLE - BACK VIEW (CUSTOM FEATURE ONLY)**

CUT-OUT	XDIM	YDIM	DESCRIPTION
1	2.875	2.875	IP STUD M10 x 40mm (Inside)
2	69.125	2.875	IP STUD M10 x 40mm (Inside)
3	2.875	36.000	IP STUD M10 x 40mm (Inside)
4	69.125	36.000	IP STUD M10 x 40mm (Inside)
5	2.875	69.125	IP STUD M10 x 40mm (Inside)
6	69.125	69.125	IP STUD M10 x 40mm (Inside)
7	24.958	2.875	IP STUD M10 x 40mm (Inside)
8	47.042	2.875	IP STUD M10 x 40mm (Inside)
9	24.958	69.125	IP STUD M10 x 40mm (Inside)
10	47.042	69.125	IP STUD M10 x 40mm (Inside)



BACK

	Description		Status
	5412SSDD 72" x 72" x 24" Body		(NULL)
	Part Number Numéro Pièce		Rev.
	5412SSDD727224B		8
			18

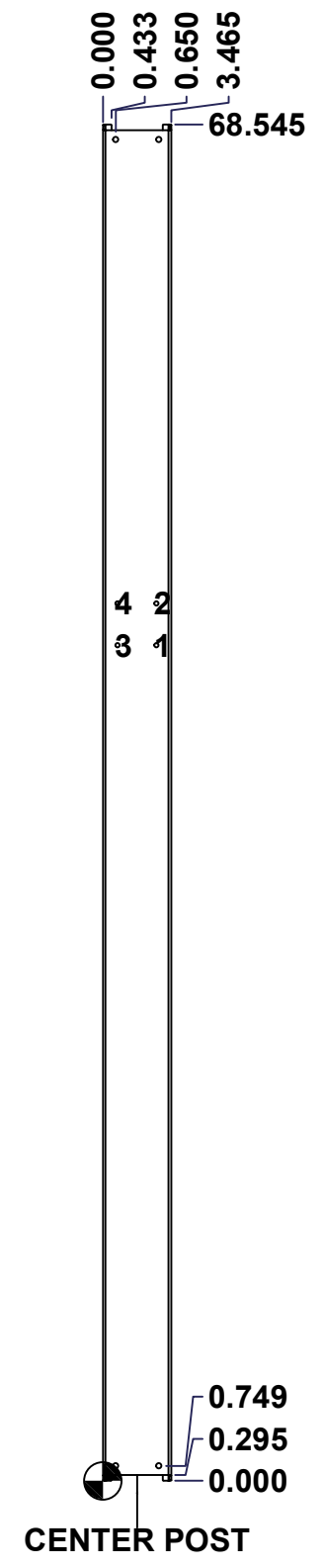
This drawing is confidential and must not be reproduced or used without the consent of EXM

Ce dessin est confidentiel et ne doit pas être reproduit ou utilisé sans le consentement de EXM

**STANDARD FEATURES ARE NOT LISTED IN THIS HOLE TABLE**

**HOLE TABLE - CENTER VIEW (CUSTOM FEATURE ONLY)**

CUT-OUT	XDIM	YDIM	DESCRIPTION
1	0.748	42.220	PEM FHS-M6-15 (Inside)
2	0.748	44.346	PEM FHS-M6-15 (Inside)
3	2.717	42.220	PEM FHS-M6-15 (Inside)
4	2.717	44.346	PEM FHS-M6-15 (Inside)

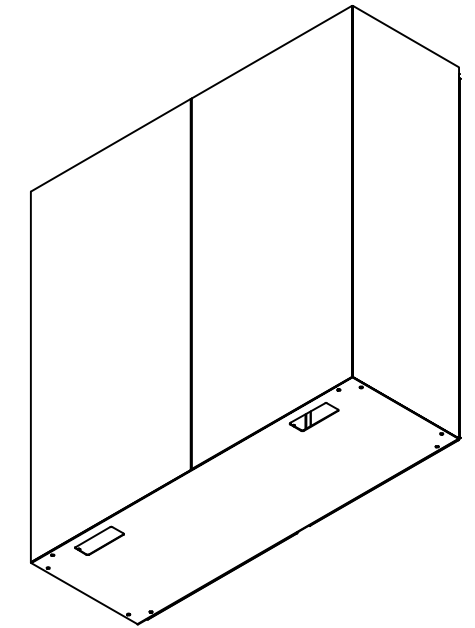


	Description	Status
	5412SSDD 72" x 72" x 24" Body	(NULL)
	Part Number Numéro Pièce	Rev.
	<b>5412SSDD727224B</b>	<b>0</b> / 9
		18

This drawing is confidential and must not be reproduced or used without the consent of EXM

Ce dessin est confidentiel et ne doit pas être reproduit ou utilisé sans le consentement de EXM

No.	Revisions	Date	By/Par



Isometric View

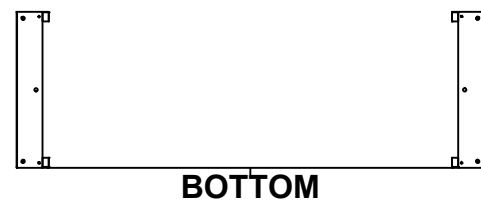
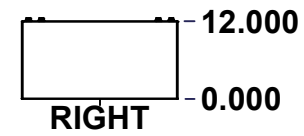
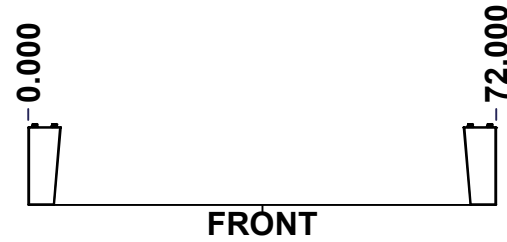
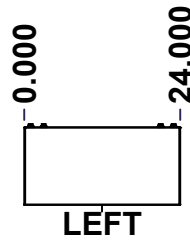
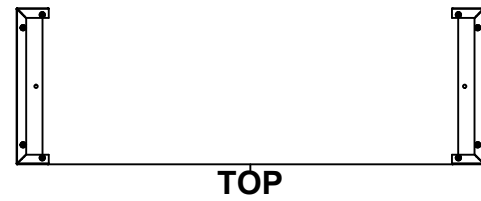
4	STK-Q-16040	0	Stud M6 x 10mm Stainless Steel
4	STK-PEM-FHS-M6-15	0	SS PEM Self-Clinching Stud M6 x 15.0mm
2	STK-Q-16085	0	Ground Stud M6 x 16mm Stainless Steel
2	STK-Q-74915	0	Stainless Steel 304 Eyebolt Lifting Angle (15.500")
4	STK-Q-16095	0	M6 x 16mm Stainless Steel Ground Stud
1	STK-A-75456	2	Center Post - Stainless Steel Sealing Block with Latch Assembly (Large)
1	5412SSDD727224CP-P	0	5412SSDD 72" Center Post Part
10	STK-Q-16120	0	Stud M10 x 40mm Stainless Steel
2	STK-Q-07320	0	Flange Lock Nut M10
2	STK-Q-07618	1	5500 Series Inner Panel Support Bracket
1	5412SSDD727224BT-P	0	5412SSDD 72" x 24" Bottom Part
1	5412SSDD727224T-P	0	5412SSDD 72" x 24" Top Part
1	5412SSDD727224RS-P	0	5412SSDD 72" x 72" Right Part
1	5412SSDD727224LS-P	0	5412SSDD 72" x 72" Left Part
1	5412SSDD727224BR-P	0	5412SSDD 72" x 72" Back Right Part
1	5412SSDD727224BL-P	0	5412SSDD 72" x 72" Back Left Part
2	5412SSDD727224_CR400 SS_27.5	0	Commercial Roll Stainless Steel (27.5in long)

Qty	Part Number	Rev	Description
Parts List			

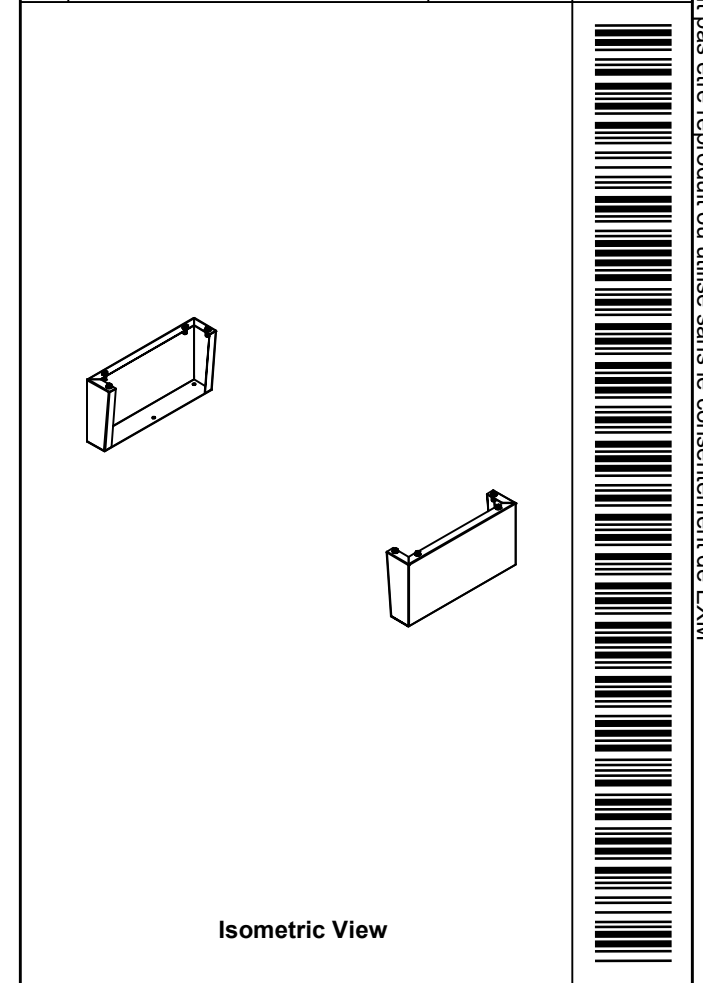
<p>Tél: (450) 979-4373 Fax: (450) 979-4626 <a href="http://www.exmweb.com">www.exmweb.com</a></p>	Flatness Aplatissement	Max 3.0mm
	Projection	
Customer Client	Date	
Drawn By Dessiné Par	BoxCad: BoxCad	Date 21-Oct-19
Material Matière	12 Ga Stainless Steel 304 (2.5mm)	
Color Couleur	Unpainted	Finish Fini Brushed
Description	Detail Rev.	
5412SSDD 72" x 72" x 24" Body		
Part Number Numéro Pièce	Rev.	10
<b>5412SSDD727224B</b>	<b>0</b>	18


This drawing is confidential and must not be reproduced or used without the consent of EXM

Ce dessin est confidentiel et ne doit pas être reproduit ou utilisé sans le consentement de EXM



No.	Revisions	Date	By/Par

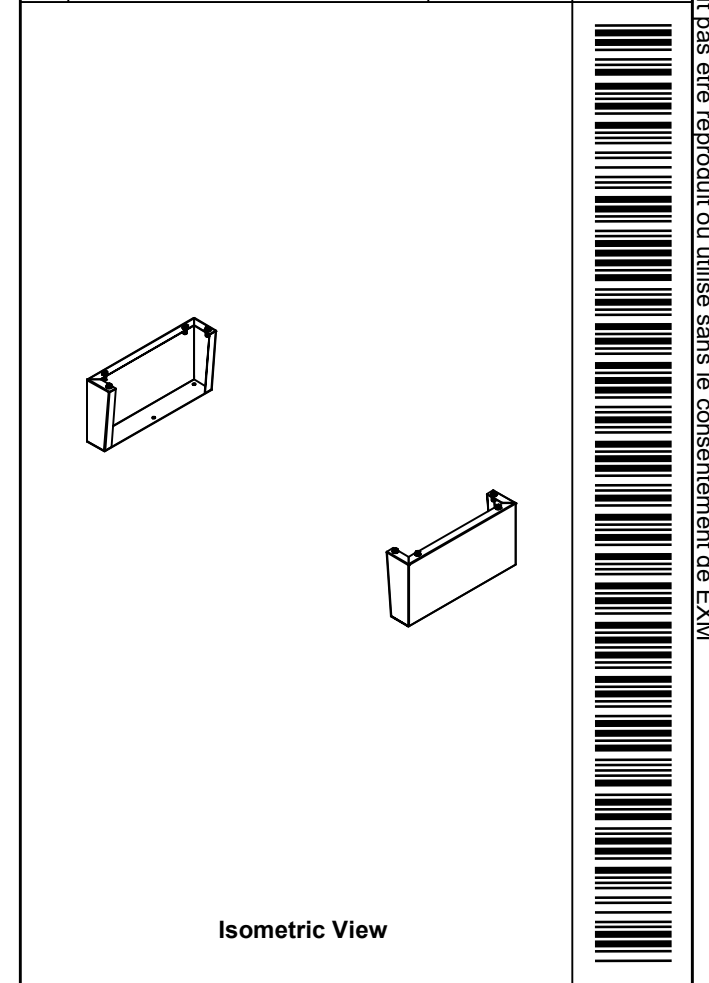



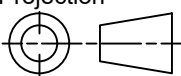
 Tél: (450) 979-4373 Fax: (450) 979-4626 <a href="http://www.exmweb.com">www.exmweb.com</a>		Flatness Aplatissement	
		Max 3.0mm	
Customer Client		Date	
Drawn By Dessiné Par		Date	
Material Matière		Projection	
Color Couleur		Date 21-Oct-19	
Description		Material Matière	
Detail Rev.		Finish Fini	
Part Number Numéro Pièce		Color Couleur	
Rev.		Finish Fini	
SEE BILL OF MATERIAL ON LAST PAGE		Detail Rev.	
5412SSDD727224MF		Description	
0		885 MFHD 12" x 24" Mounting Feet	
11		Material Matière	
18		12 Ga Stainless Steel 304 (2.5mm)	
		Color Couleur	
		Unpainted	
		Finish Fini	
		Brushed	

This drawing is confidential and must not be reproduced or used without the consent of EXM

Ce dessin est confidentiel et ne doit pas être reproduit ou utilisé sans le consentement de EXM

No.	Revisions	Date	By/Par

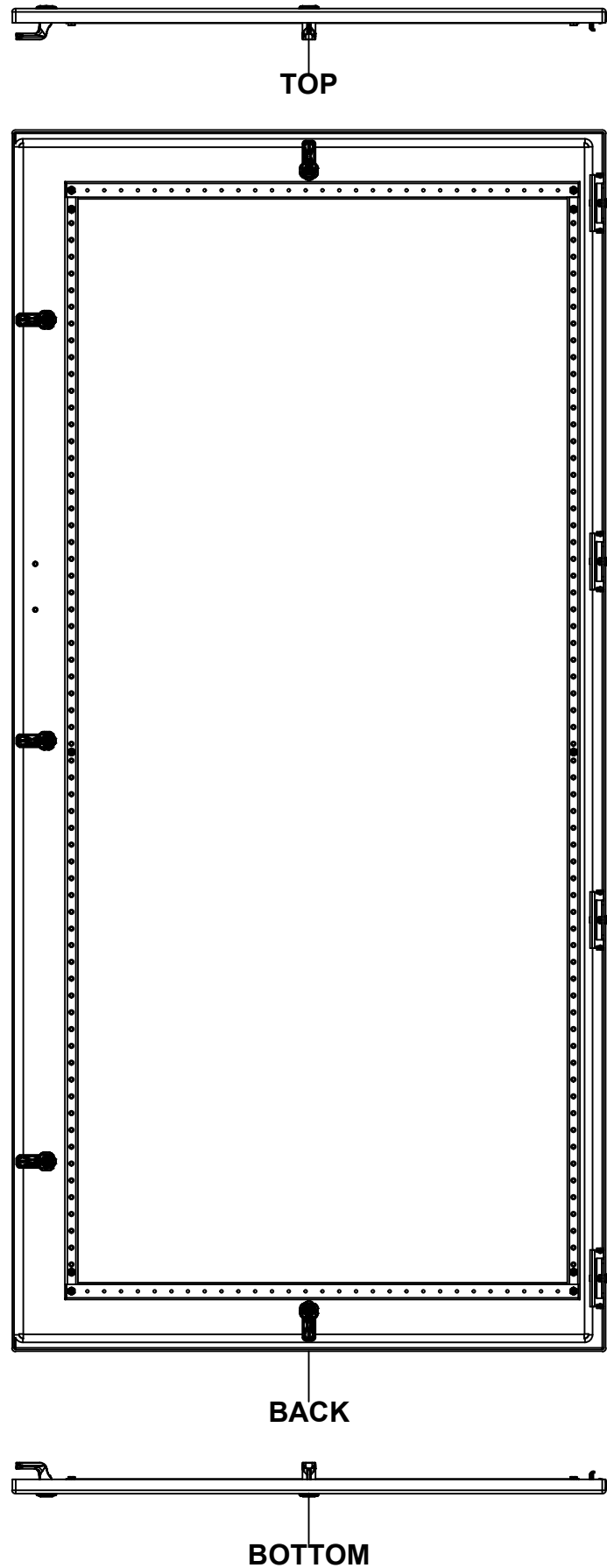


 Tél: (450) 979-4373 Fax: (450) 979-4626 <a href="http://www.exmweb.com">www.exmweb.com</a>		Flatness Aplatissement Max 3.0mm Projection 
Customer Client	Date	
Drawn By Dessiné Par	BoxCad: BoxCad	Date 21-Oct-19
Material Matière	12 Ga Stainless Steel 304 (2.5mm)	
Color Couleur	Unpainted	Finish Fini Brushed
Description		Detail Rev.
885 MFHD 12" x 24" Mounting Feet		
Part Number Numéro Pièce	Rev.	12
<b>5412SSDD727224MF</b>	<b>0</b>	18

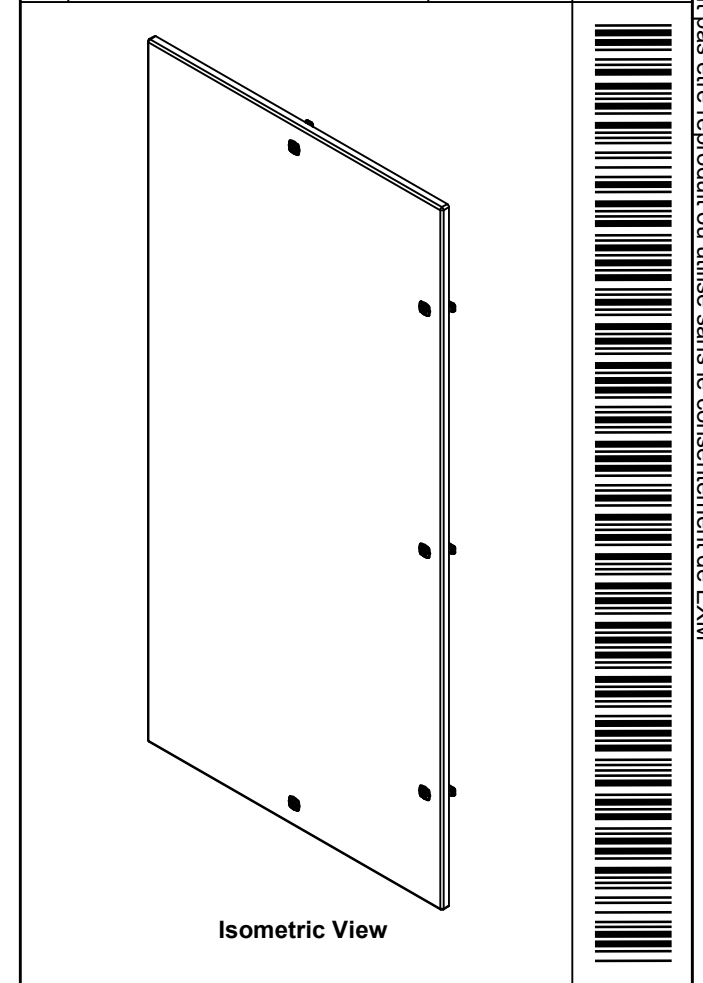
Qty	Part Name	Rev	Description
8	RIVET_NUT_SS_M10_FH _CE	0	Stainless Steel Rivet Nut M10 (Low Profile Close End)
1	5412SSDD727224MFR-P	0	885 MFHD 12" x 24" Right Mounting Feet Part
1	5412SSDD727224MFL-P	0	885 MFHD 12" x 24" Left Mounting Feet Part
4	STK-K-11610	2	885 MFSS Accessory Kit
Parts List			

This drawing is confidential and must not be reproduced or used without the consent of EXM

Ce dessin est confidentiel et ne doit pas être reproduit ou utilisé sans le consentement de EXM



No.	Revisions	Date	By/Par



Tél: (450) 979-4373 Fax: (450) 979-4626 <a href="http://www.exmweb.com">www.exmweb.com</a>		Flatness Aplatissement Max 3.0mm Projection
Customer Client		Date
Drawn By Dessiné Par	BoxCad: BoxCad	Date 21-Oct-19
Material Matière	12 Ga Stainless Steel 304 (2.5mm)	
Color Couleur	Unpainted	Finish Fini: Brushed
Description	Detail Rev.	
5412SSDD 72" x 72" Slave Door		
Part Number Numéro Pièce	Rev.	
5412SSDD727224LD	0	13 / 18

SEE BILL OF MATERIAL ON LAST PAGE

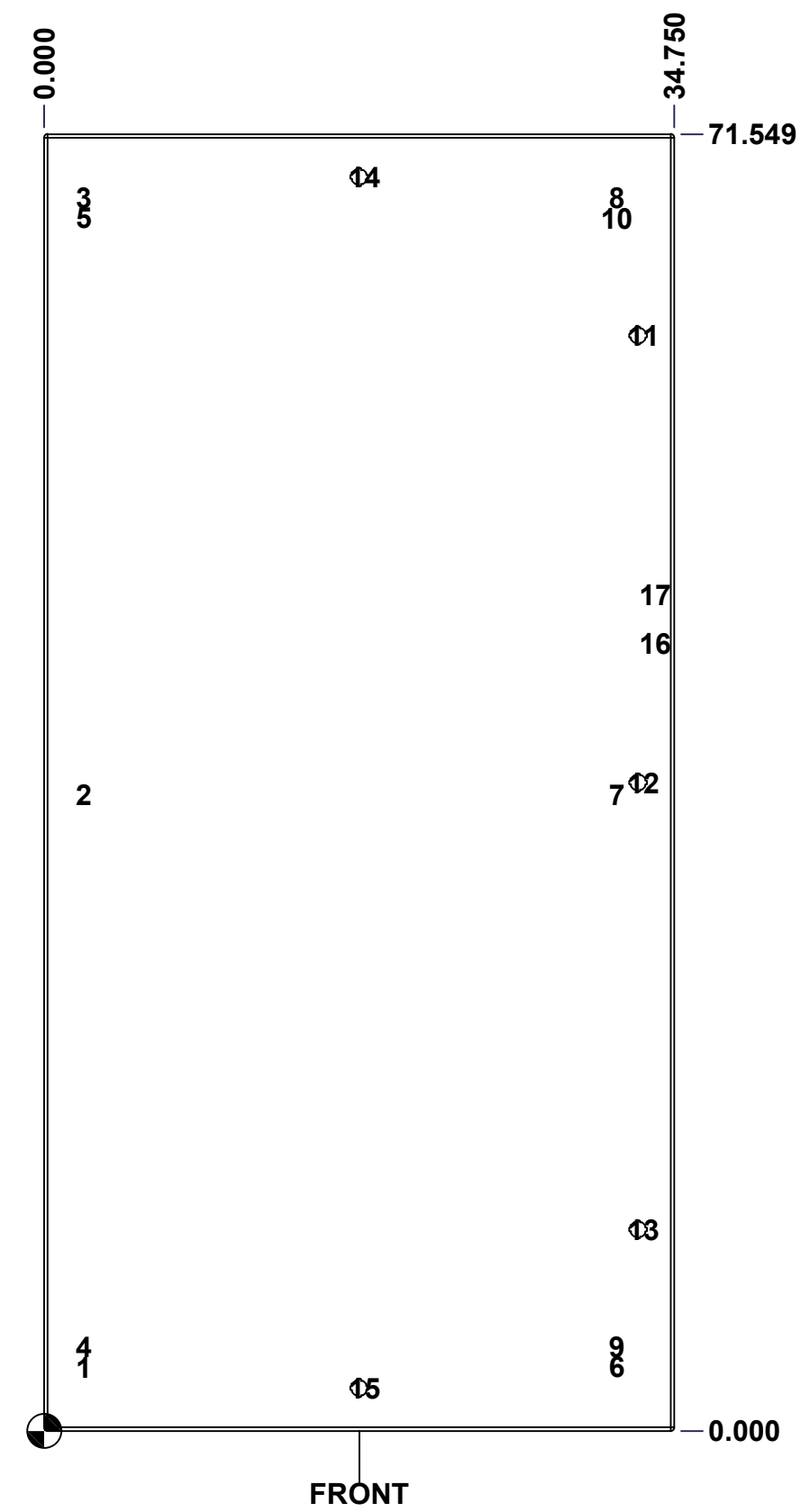
This drawing is confidential and must not be reproduced or used without the consent of EXM

Ce dessin est confidentiel et ne doit pas être reproduit ou utilisé sans le consentement de EXM

**STANDARD FEATURES ARE NOT LISTED IN THIS HOLE TABLE**

**HOLE TABLE - FRONT VIEW (CUSTOM FEATURE ONLY)**

CUT-OUT	XDIM	YDIM	DESCRIPTION
1	1.875	3.524	STUD M6 x 18mm (Inside)
2	1.875	35.109	STUD M6 x 18mm (Inside)
3	1.875	68.024	STUD M6 x 18mm (Inside)
4	1.875	4.636	STUD M6 x 18mm (Inside)
5	1.875	66.912	STUD M6 x 18mm (Inside)
6	31.282	3.524	STUD M6 x 18mm (Inside)
7	31.282	35.109	STUD M6 x 18mm (Inside)
8	31.282	68.024	STUD M6 x 18mm (Inside)
9	31.282	4.636	STUD M6 x 18mm (Inside)
10	31.282	66.912	STUD M6 x 18mm (Inside)
-----			
11	32.750	60.430	LOCK 889 SCQ4-SLSS6 @ 0.0°
12	32.750	35.774	LOCK 889 SCQ4-SLSS6 @ 0.0°
13	32.750	11.118	LOCK 889 SCQ4-SLSS6 @ 0.0°
14	17.375	69.180	LOCK 889 SCQ4-SLSS6 @ 90.0°
15	17.375	2.368	LOCK 889 SCQ4-SLSS6 @ 270.0°
16	33.402	43.445	STUDS M6 x 18mm (Inside)
17	33.402	46.123	STUDS M6 x 18mm (Inside)



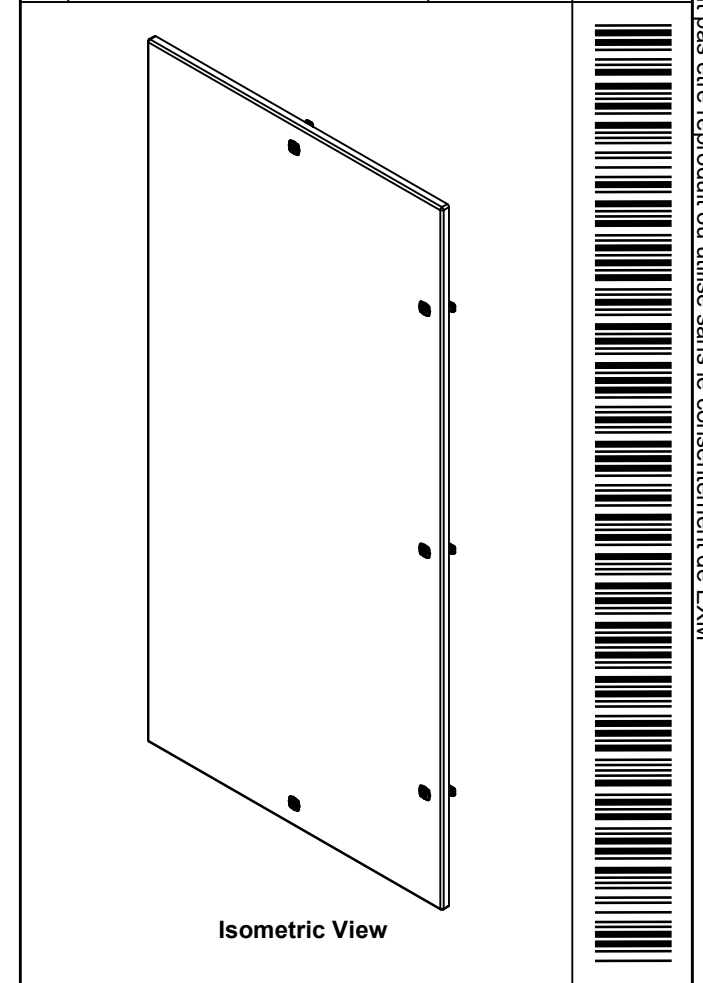
FRONT

	Description	Status
	5412SSDD 72" x 72" Slave Door	(NULL)
	Part Number Numéro Pièce	Rev.
	<b>5412SSDD727224LD</b>	<b>0</b> / 14
		18

This drawing is confidential and must not be reproduced or used without the consent of EXM

Ce dessin est confidentiel et ne doit pas être reproduit ou utilisé sans le consentement de EXM

No.	Revisions	Date	By/Par




 Tél: (450) 979-4373  
 Fax: (450) 979-4626  
[www.exmweb.com](http://www.exmweb.com)

**Flatness**  
 Aplatissement  
 Max 3.0mm  
**Projection**  


Customer Client	Date
Drawn By / Dessiné Par: BoxCad: BoxCad	Date: 21-Oct-19

Material / Matière	12 Ga Stainless Steel 304 (2.5mm)
--------------------	-----------------------------------

Color / Couleur: Unpainted	Finish / Fini: Brushed
----------------------------	------------------------

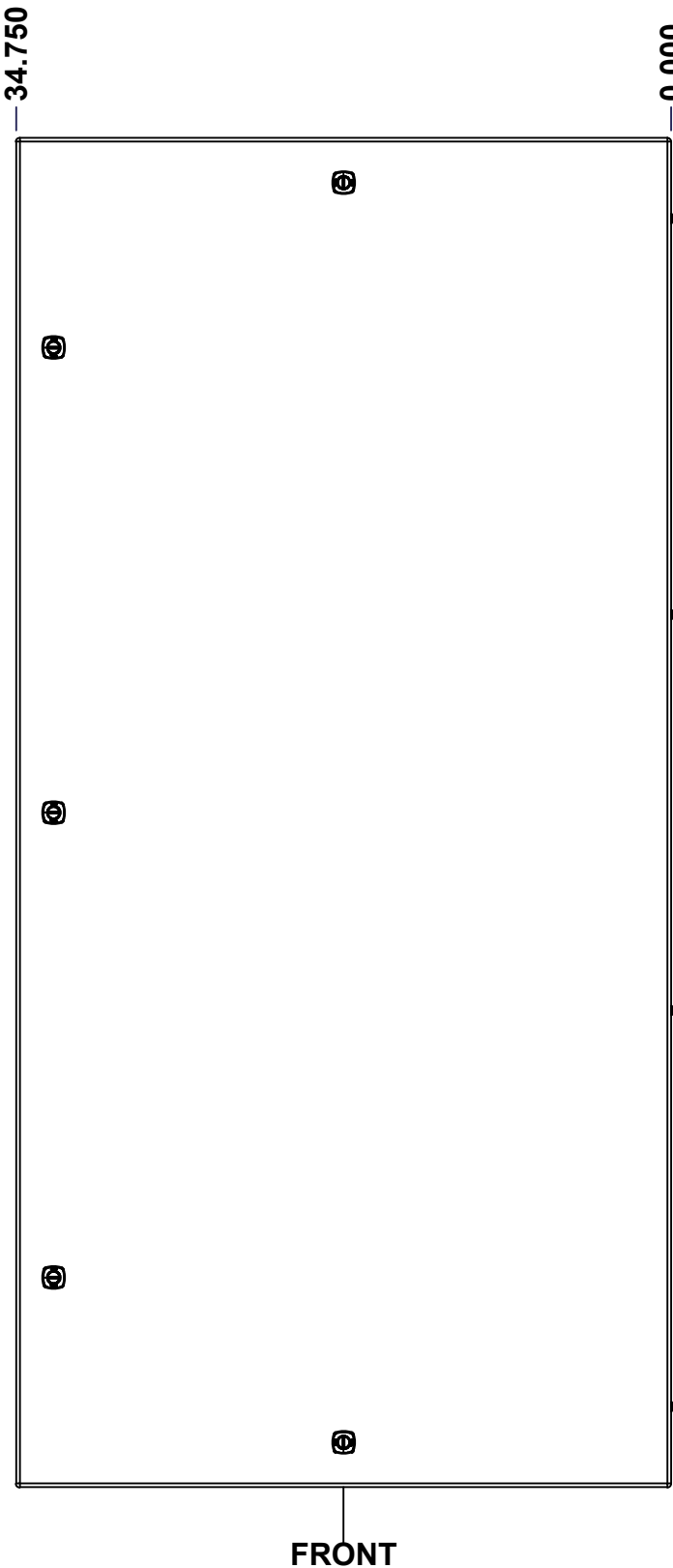
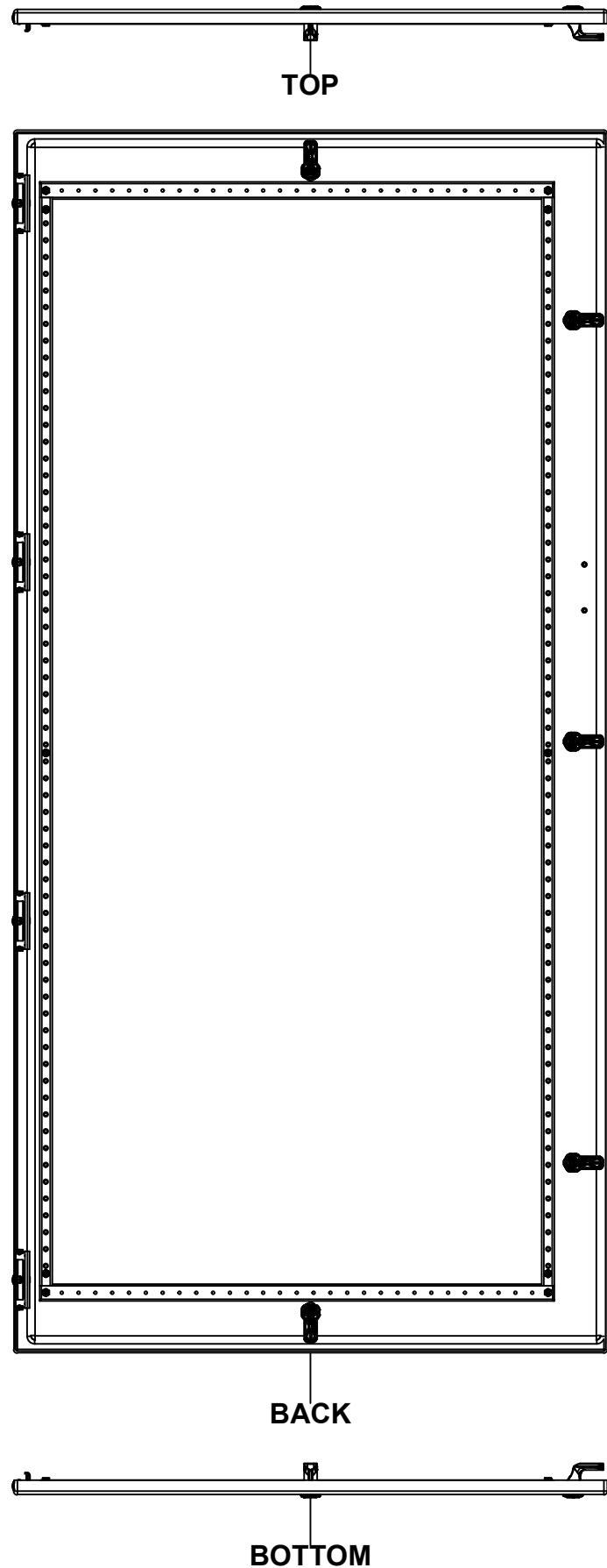
Description: 5412SSDD 72" x 72" Slave Door	Detail Rev.
--	-------------

Part Number / Numéro Pièce: <b>5412SSDD727224LD</b>	Rev. 0	15 / 18
---	--------	---------

QTY	Part Number	Rev	Description
4	STK-Q-00265	0	M6 x 12mm Stainless Steel 316 Carriage Bolt
1	5412SSDD727224DS1	0	5412SSDD 72" x 72" Door Stiffener
1	5412SSDD727224DG	0	5412SSDD 72" x 72" Door Gasket
1	5412SSDD727224LD-P	0	5412SSDD 72" x 72" Slave Door Part
5	889 SCQ4-SLSS6	0	9412 SS 1/4 Turn Lock
4	STK-A-33012	3	5500 SSDD - Stainless Steel Sheet Metal Hinge Assembly
4	STK-Q-07225	0	M6 Stainless Steel Nylon Insert Lock Nut
12	STK-Q-16070	1	Stud M6 x 18mm Stainless steel
Parts List			

This drawing is confidential and must not be reproduced or used without the consent of EXM

Ce dessin est confidentiel et ne doit pas être reproduit ou utilisé sans le consentement de EXM



No.	Revisions	Date	By/Par

Isometric View

<p>Tél: (450) 979-4373 Fax: (450) 979-4626 <a href="http://www.exmweb.com">www.exmweb.com</a></p>		Flatness Aplatissement
		Max 3.0mm
Projection		
Customer Client	Date	
Drawn By Dessiné Par	BoxCad: BoxCad	Date 21-Oct-19
Material Matière	12 Ga Stainless Steel 304 (2.5mm)	
Color Couleur	Unpainted	Finish Fini Brushed
Description		Detail Rev.
5412SSDD 72" x 72" Master Door		
Part Number Numéro Pièce	Rev. 0	16 18

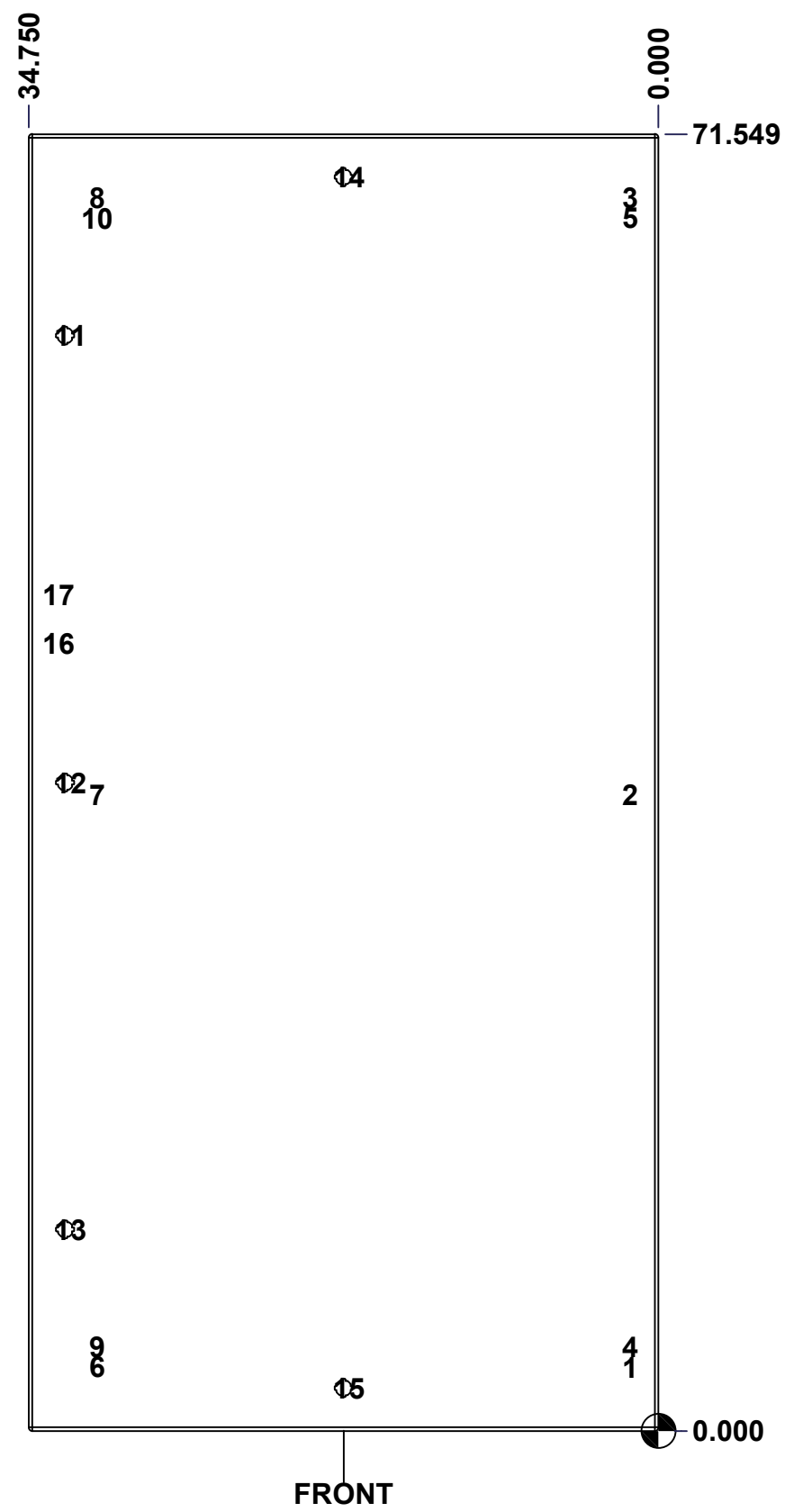
SEE BILL OF MATERIAL ON LAST PAGE

**5412SSDD727224FD**

This drawing is confidential and must not be reproduced or used without the consent of EXM

Ce dessin est confidentiel et ne doit pas être reproduit ou utilisé sans le consentement de EXM

STANDARD FEATURES ARE NOT LISTED IN THIS HOLE TABLE			
HOLE TABLE - FRONT VIEW (CUSTOM FEATURE ONLY)			
CUT-OUT	XDIM	YDIM	DESCRIPTION
1	1.875	3.524	STUD M6 x 18mm (Inside)
2	1.875	35.109	STUD M6 x 18mm (Inside)
3	1.875	68.024	STUD M6 x 18mm (Inside)
4	1.875	4.636	STUD M6 x 18mm (Inside)
5	1.875	66.912	STUD M6 x 18mm (Inside)
6	31.282	3.524	STUD M6 x 18mm (Inside)
7	31.282	35.109	STUD M6 x 18mm (Inside)
8	31.282	68.024	STUD M6 x 18mm (Inside)
9	31.282	4.636	STUD M6 x 18mm (Inside)
10	31.282	66.912	STUD M6 x 18mm (Inside)
-----			
11	32.750	60.430	LOCK 889 SCQ4-SLSS6 @ 180.0°
12	32.750	35.774	LOCK 889 SCQ4-SLSS6 @ 180.0°
13	32.750	11.118	LOCK 889 SCQ4-SLSS6 @ 180.0°
14	17.375	69.180	LOCK 889 SCQ4-SLSS6 @ 90.0°
15	17.375	2.368	LOCK 889 SCQ4-SLSS6 @ 270.0°
16	33.402	43.445	STUDS M6 x 18mm (Inside)
17	33.402	46.123	STUDS M6 x 18mm (Inside)

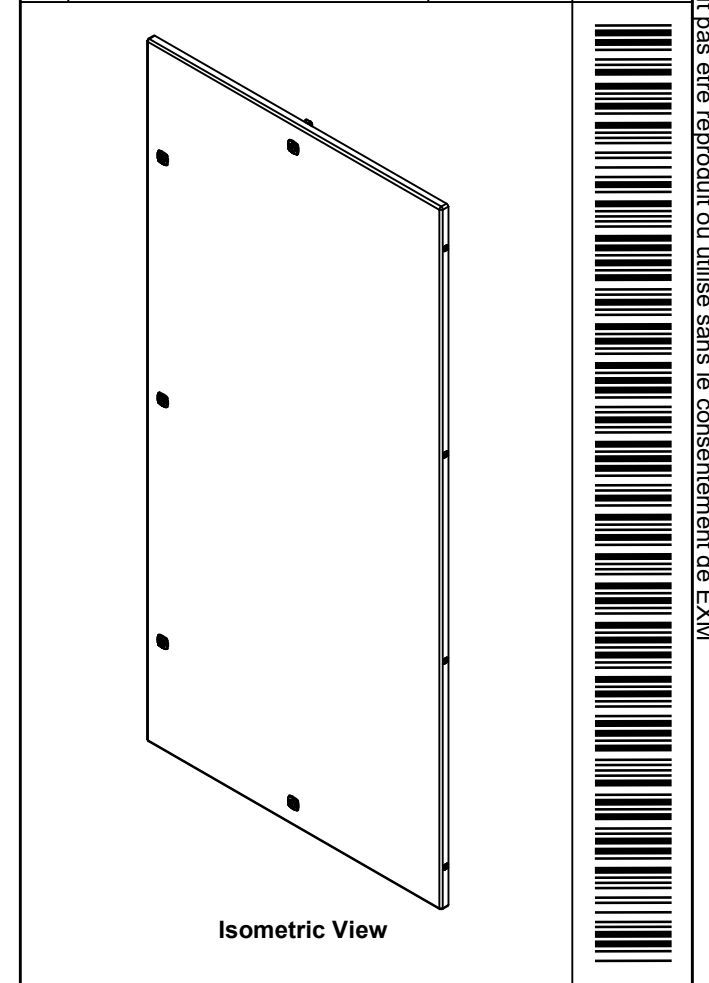


	Description	Status
	5412SSDD 72" x 72" Master Door	(NULL)
	Part Number Numéro Pièce	Rev.
	<b>5412SSDD727224FD</b>	<b>0</b> / 17
		18

This drawing is confidential and must not be reproduced or used without the consent of EXM

Ce dessin est confidentiel et ne doit pas être reproduit ou utilisé sans le consentement de EXM

No.	Revisions	Date	By/Par




 Tél: (450) 979-4373  
 Fax: (450) 979-4626  
[www.exmweb.com](http://www.exmweb.com)

**Flatness**  
 Aplatissement  
 Max 3.0mm  
**Projection**  


Customer Client	Date
Drawn By / Dessiné Par: BoxCad: BoxCad	Date: 21-Oct-19

Material / Matière	12 Ga Stainless Steel 304 (2.5mm)
--------------------	-----------------------------------

Color / Couleur: Unpainted	Finish / Fini: Brushed
----------------------------	------------------------

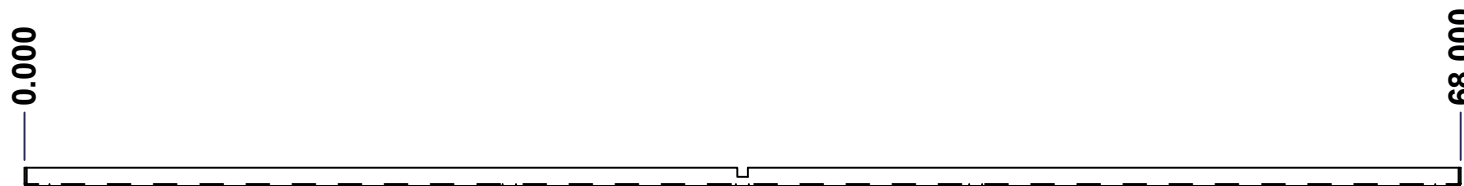
Description: 5412SSDD 72" x 72" Master Door	Detail Rev.
---	-------------

Part Number / Numéro Pièce: <b>5412SSDD727224FD</b>	Rev. <b>0</b>	18
---	---------------	----

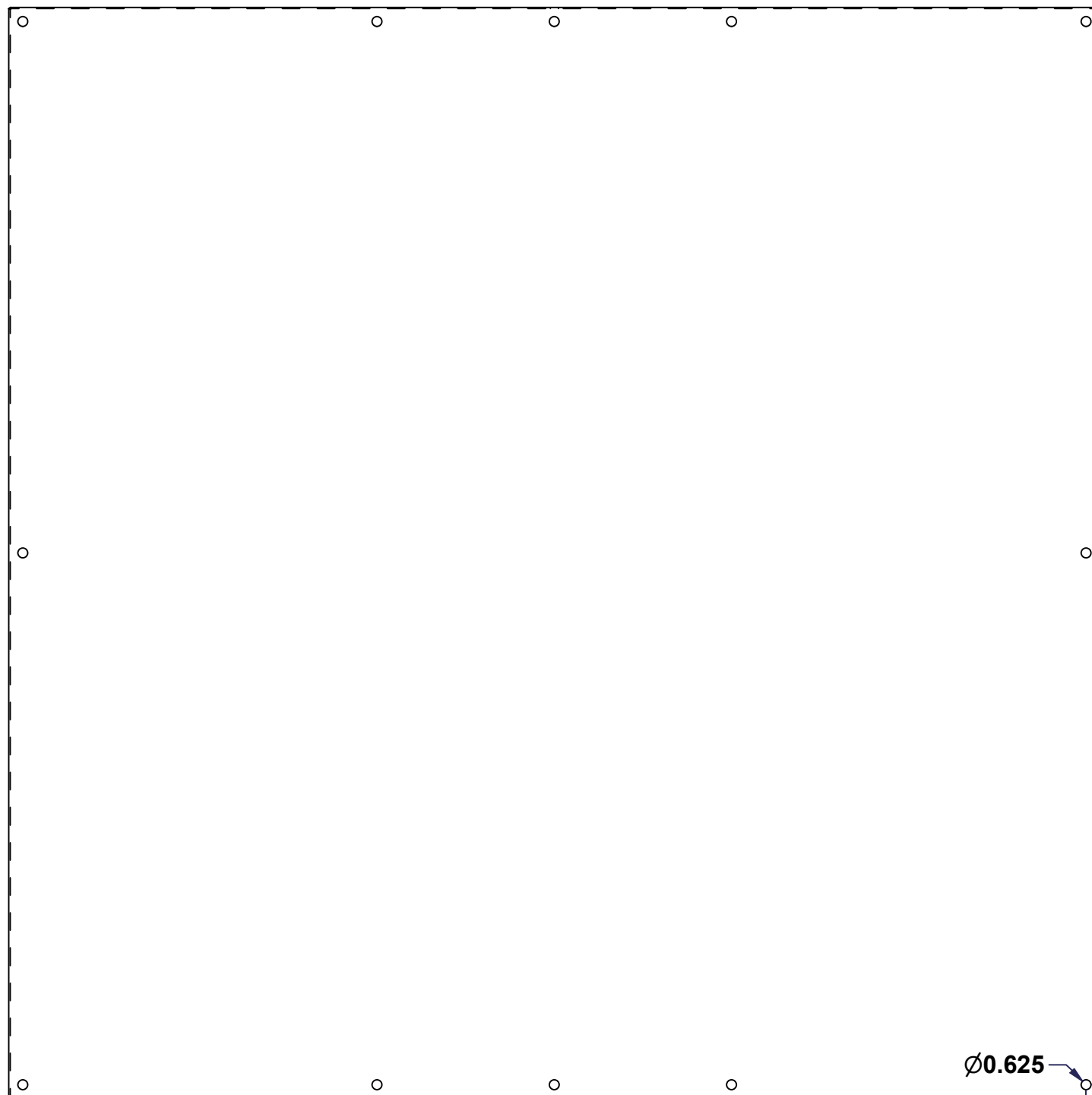
QTY	Part Number	Rev	Description
4	STK-Q-00265	0	M6 x 12mm Stainless Steel 316 Carriage Bolt
1	5412SSDD727224DS1	0	5412SSDD 72" x 72" Door Stiffener
1	5412SSDD727224DG	0	5412SSDD 72" x 72" Door Gasket
1	5412SSDD727224FD-P	0	5412SSDD 72" x 72" Master Door Part
5	889 SCQ4-SLSS6	0	9412 SS 1/4 Turn Lock
4	STK-A-33012	3	5500 SSDD - Stainless Steel Sheet Metal Hinge Assembly
4	STK-Q-07225	0	M6 Stainless Steel Nylon Insert Lock Nut
12	STK-Q-16070	1	Stud M6 x 18mm Stainless steel
Parts List			

This drawing is confidential and must not be reproduced or used without the consent of EXM

Ce dessin est confidentiel et ne doit pas être reproduit ou utilisé sans le consentement de EXM



TOP

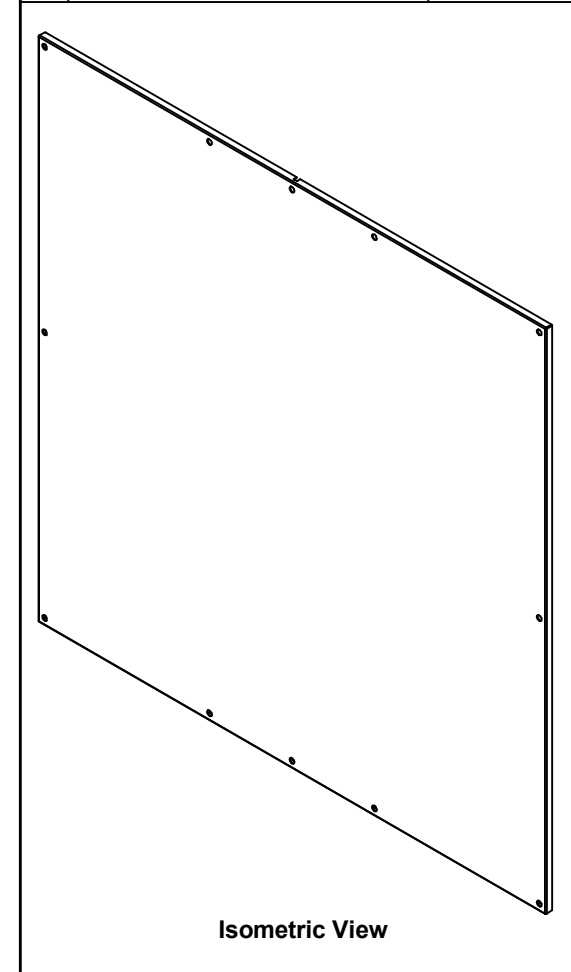


FRONT

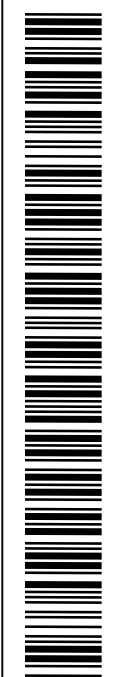


RIGHT

No.	Revisions	Date	By/Par



Isometric View



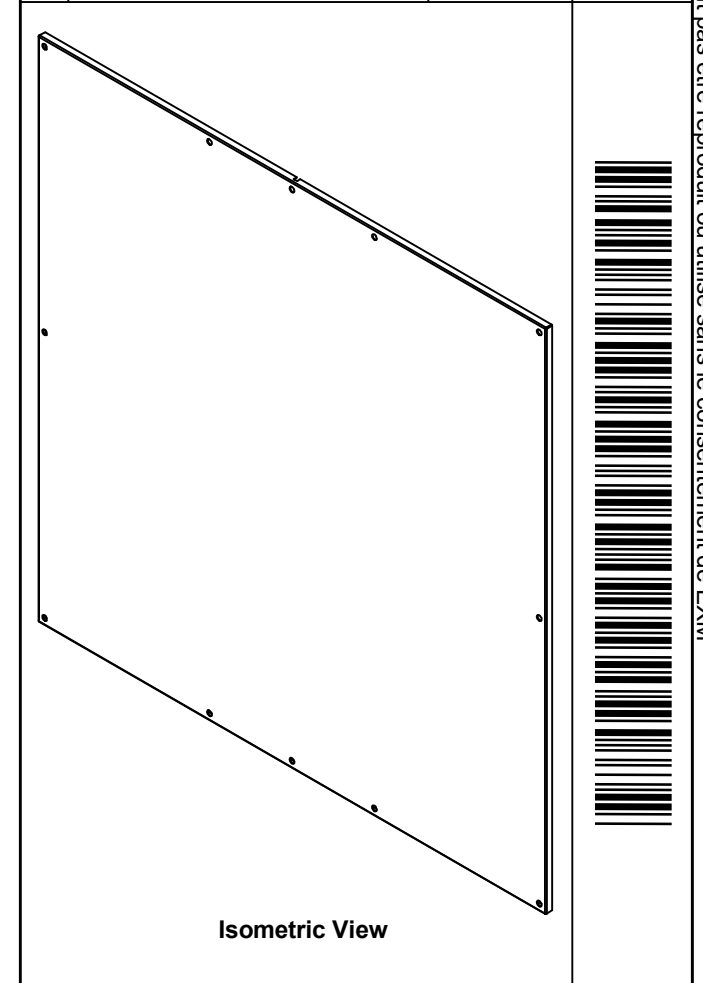
<p>Tél: (450) 979-4373 Fax: (450) 979-4626 www.exmweb.com</p>	Flatness Aplatissement Max 3.0mm
	Projection 
Customer Client	Date
Drawn By Dessiné Par BoxCad	Date 04/11/2009
Material Matière 12 Ga Cold Rolled A1008 CS Type B (2.5mm)	
Color Couleur White RAL9003	Finish Fini Smooth
Description 885 SP7272 Inner Panel	
Part Number Numéro Pièce <b>885SP7272</b>	Detail Rev.
Rev. <b>0</b>	1 2


SEE BILL OF MATERIAL ON LAST PAGE

This drawing is confidential and must not be reproduced or used without the consent of EXM

Ce dessin est confidentiel et ne doit pas être reproduit ou utilisé sans le consentement de EXM

No.	Revisions	Date	By/Par



 Tél: (450) 979-4373 Fax: (450) 979-4626 www.exmweb.com		Flatness Aplatissement Max 3.0mm
Customer Client		Date
Drawn By / Dessiné Par: BoxCad		Date: 04/11/2009
Material / Matière: 12 Ga Cold Rolled A1008 CS Type B (2.5mm)		
Color / Couleur: White RAL9003	Finish / Fini: Smooth	
Description: 885 SP7272 Inner Panel		Detail Rev.
Part Number / Numéro Pièce: <b>885SP7272</b>		Rev. 2 <b>0</b>

Qty	Part Number	Rev	Description
1	STK-P-02401S	0	Powder Paint (White / Smooth)
1	885SP7272-P	0	885 SP7272 Inner Panel Part
Parts List			