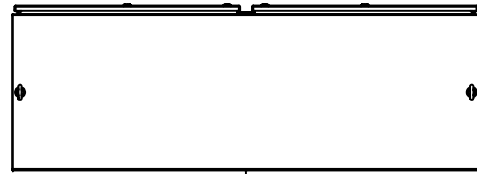
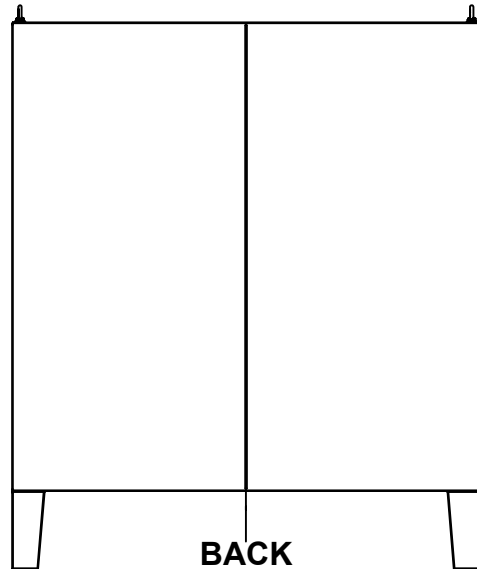


This drawing is confidential and must not be reproduced or used without the consent of EXM

Ce dessin est confidentiel et ne doit pas être reproduit ou utilisé sans le consentement de EXM



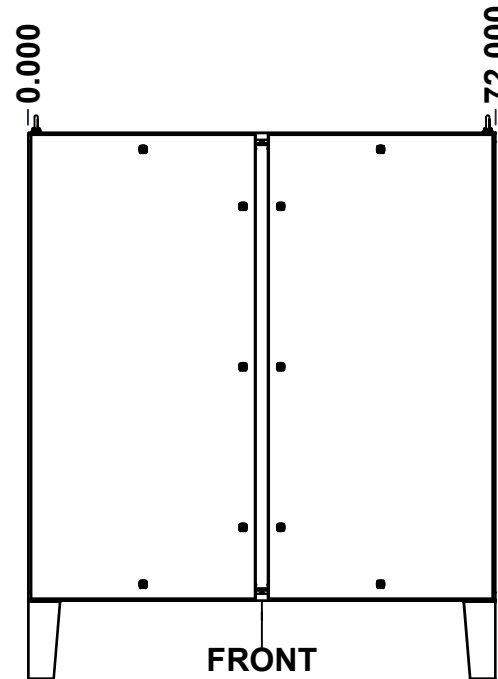
TOP



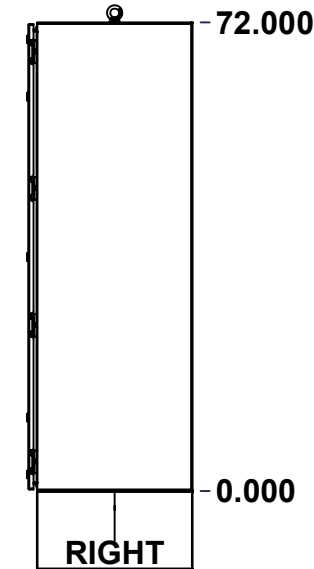
BACK



LEFT



FRONT

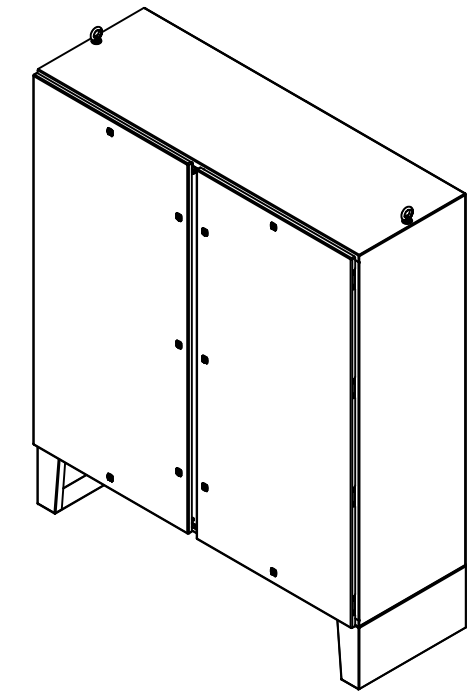


RIGHT



BOTTOM

No.	Revisions	Date	By/Par


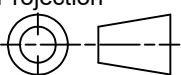


Isometric View



**GRAIN DIRECTION:  
TOP/BOTTOM: HORIZONTAL  
LEFT/RIGHT/BACK/FRONT: VERTICAL**

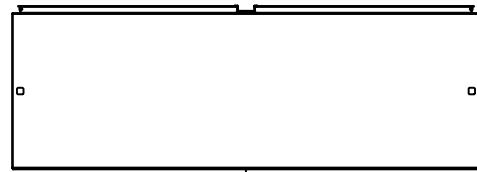
SEE BILL OF MATERIAL ON LAST PAGE

 Tél: (450) 979-4373 Fax: (450) 979-4626 <a href="http://www.exmweb.com">www.exmweb.com</a>		Flatness Aplatissement Max 3.0mm Projection 
Customer Client	Date	
Drawn By Dessiné Par	BoxCad: BoxCad	Date 22-Oct-19
Material Matière	12 Ga Stainless Steel 316 (2.5mm)	
Color Couleur	Unpainted	Finish Fini Brushed
Description	Detail Rev.	
5412SSDD 72" x 72" x 24" Assembly		
Part Number Numéro Pièce	Rev.	1
5412SSDD7272246	0	2

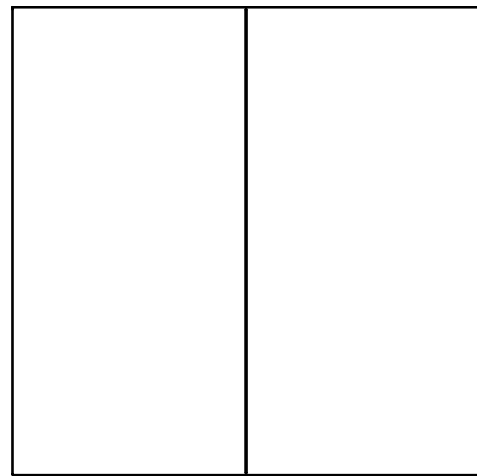


This drawing is confidential and must not be reproduced or used without the consent of EXM

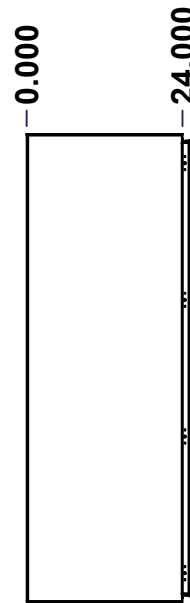
Ce dessin est confidentiel et ne doit pas être reproduit ou utilisé sans le consentement de EXM



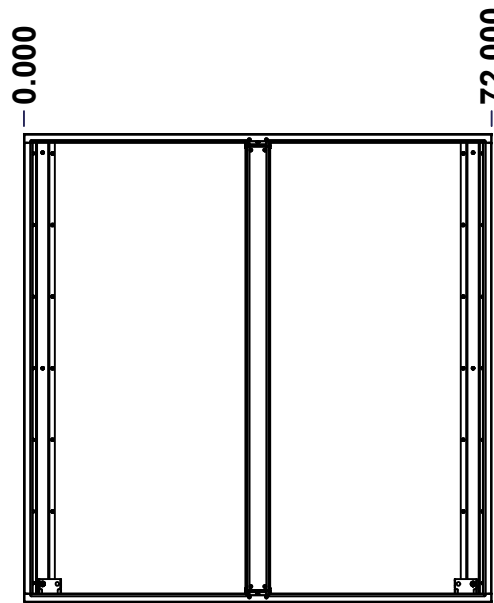
TOP



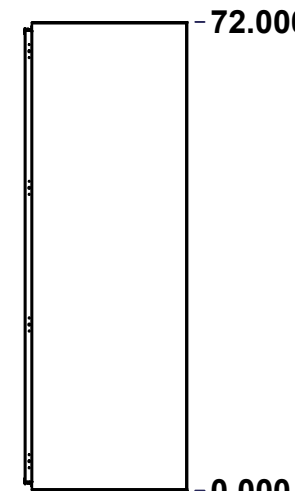
BACK



LEFT



FRONT

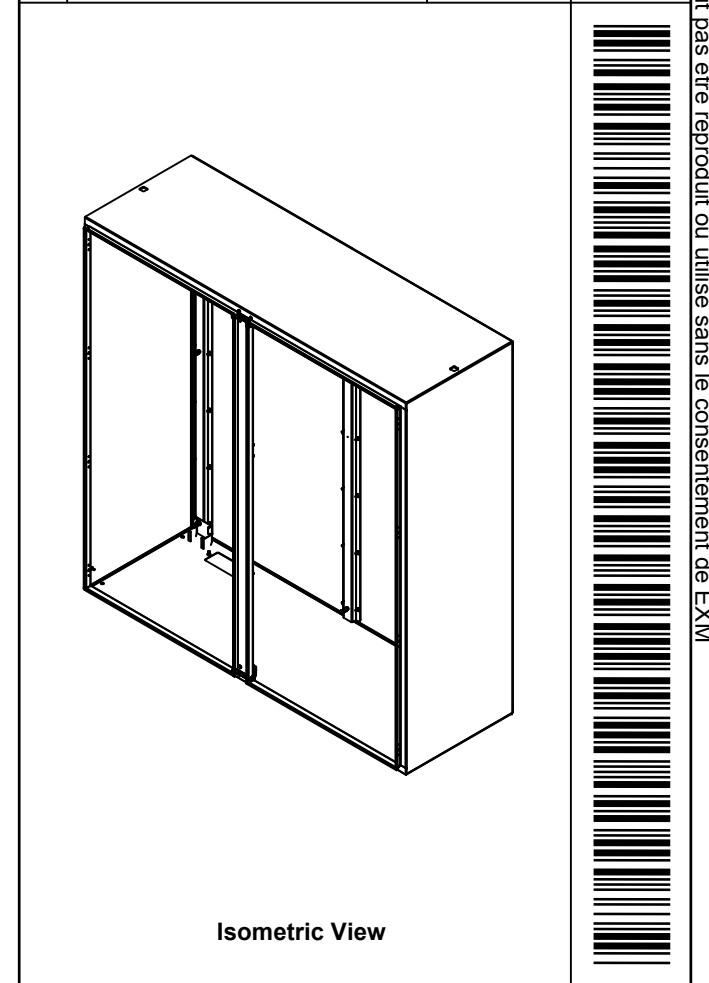


RIGHT



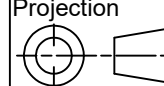


BOTTOM

No.	Revisions	Date	By/Par



Isometric View

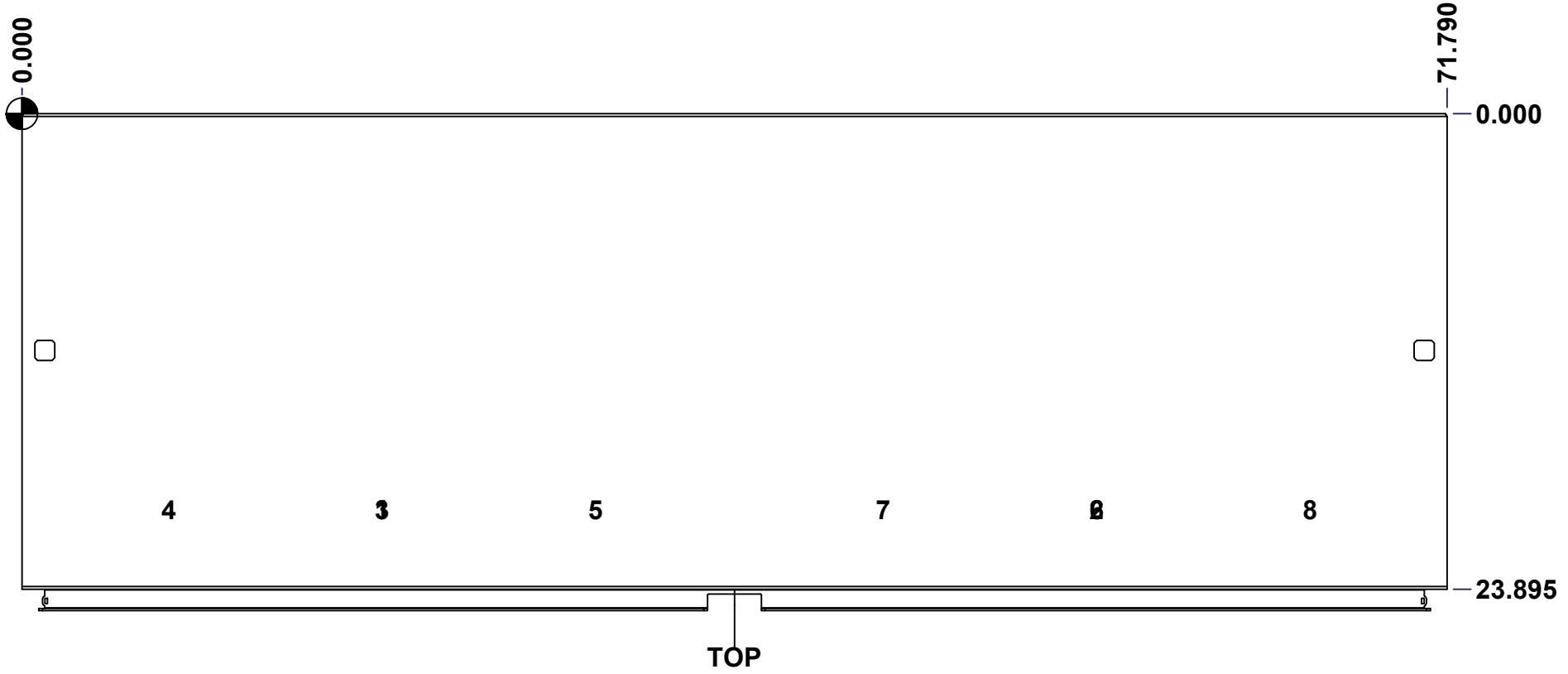
 Tél: (450) 979-4373 Fax: (450) 979-4626 <a href="http://www.exmweb.com">www.exmweb.com</a>		Flatness Aplatissement  Max 3.0mm Projection 
Customer Client	Date	
Drawn By / Dessiné Par: BoxCad: BoxCad	Date: 22-Oct-19	
Material / Matière: 12 Ga Stainless Steel 316 (2.5mm)		
Color / Couleur: Unpainted	Finish / Fini: Brushed	
Description: 5412SSDD 72" x 72" x 24" Body	Detail Rev.	
Part Number / Numéro Pièce: 5412SSDD7272246B	Rev. 0	1 / 2

SEE BILL OF MATERIAL ON LAST PAGE

This drawing is confidential and must not be reproduced or used without the consent of EXM

Ce dessin est confidentiel et ne doit pas être reproduit ou utilisé sans le consentement de EXM

STANDARD FEATURES ARE NOT LISTED IN THIS HOLE TABLE			
HOLE TABLE - TOP VIEW (CUSTOM FEATURE ONLY)			
CUT-OUT	XDIM	YDIM	DESCRIPTION
1	17.895	19.895	Struts CR400 27.500" (Inside)
2	53.895	19.895	Struts CR400 27.500" (Inside)
3	17.895	19.895	STUDS M6 x 10mm (Inside)
4	7.145	19.895	STUDS M6 x 10mm (Inside)
5	28.645	19.895	STUDS M6 x 10mm (Inside)
6	53.895	19.895	STUDS M6 x 10mm (Inside)
7	43.145	19.895	STUDS M6 x 10mm (Inside)
8	64.645	19.895	STUDS M6 x 10mm (Inside)

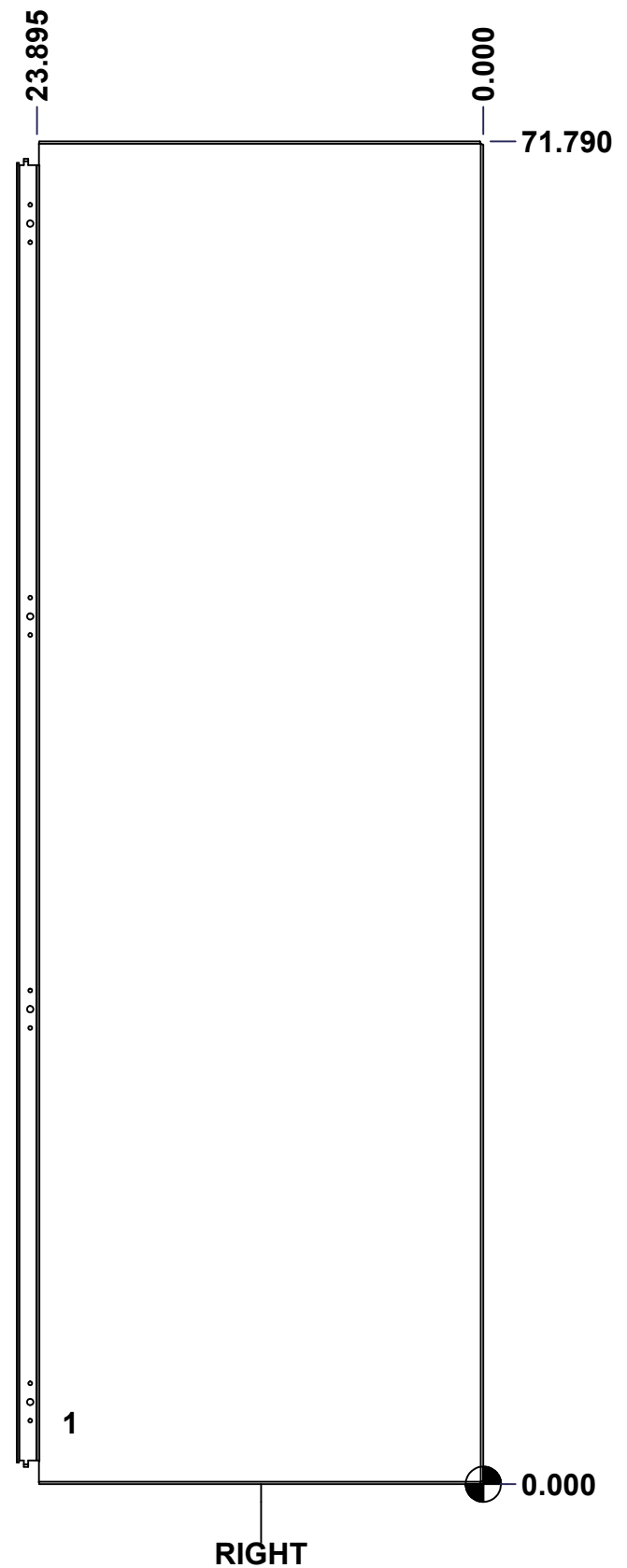


	Description	Status	
	5412SSDD 72" x 72" x 24" Body	Released	
	Part Number Numéro Pièce	Rev.	
	<b>5412SSDD7272246B</b>	<b>0</b>	2 / 7

This drawing is confidential and must not be reproduced or used without the consent of EXM

Ce dessin est confidentiel et ne doit pas être reproduit ou utilisé sans le consentement de EXM

<b>STANDARD FEATURES ARE NOT LISTED IN THIS HOLE TABLE</b>			
<b>HOLE TABLE - RIGHT VIEW (CUSTOM FEATURE ONLY)</b>			
CUT-OUT	XDIM	YDIM	DESCRIPTION
1	22.395	3.270	GND STUD M6 x 16mm (Inside)



	Description	Status	
	5412SSDD 72" x 72" x 24" Body	Released	
	Part Number Numéro Pièce	Rev.	
	<b>5412SSDD7272246B</b>	<b>0</b>	3 / 7

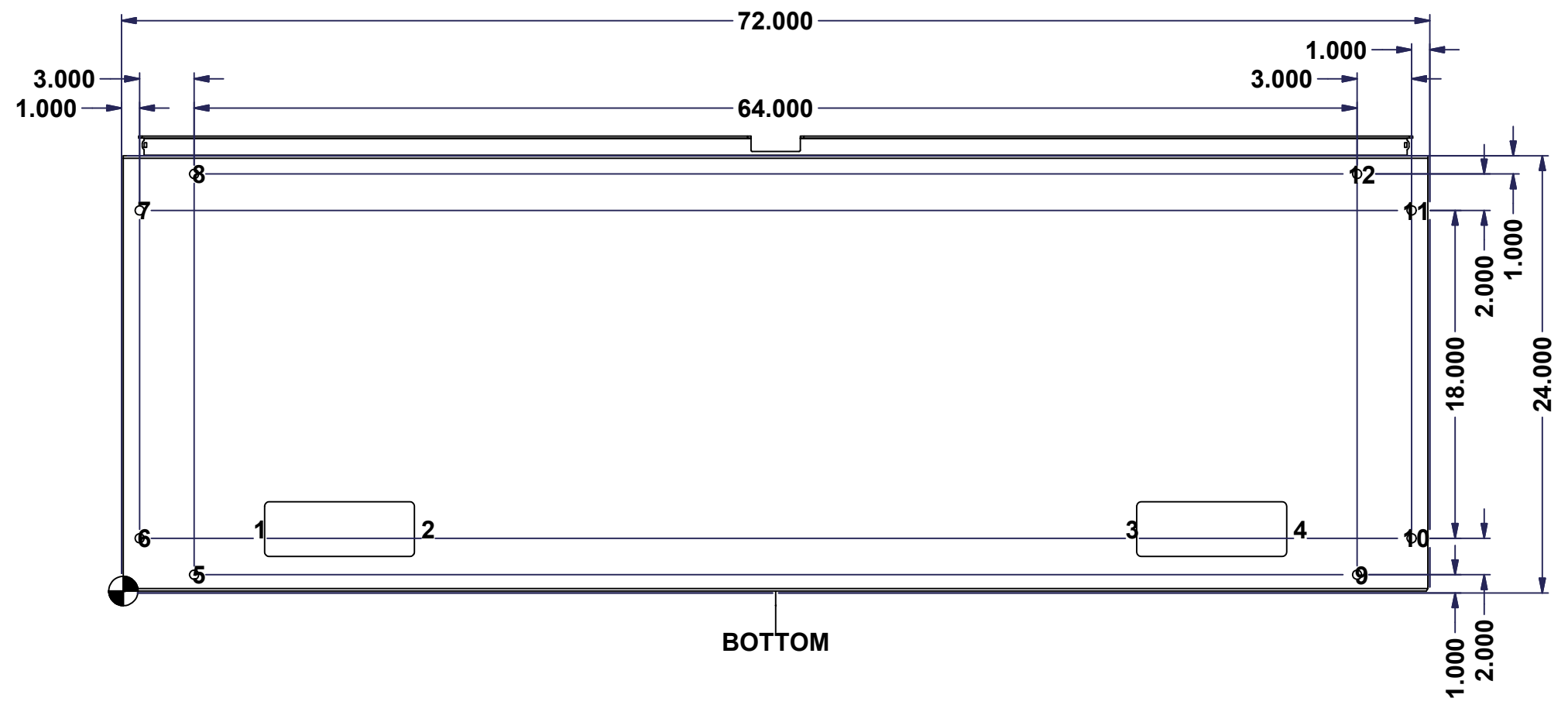
This drawing is confidential and must not be reproduced or used without the consent of EXM

Ce dessin est confidentiel et ne doit pas être reproduit ou utilisé sans le consentement de EXM

**STANDARD FEATURES ARE NOT LISTED IN THIS HOLE TABLE**

**HOLE TABLE - BOTTOM VIEW (CUSTOM FEATURE ONLY)**

CUT-OUT	XDIM	YDIM	DESCRIPTION
1	7.270	3.395	GP STUD M6 x 16mm (Inside)
2	16.520	3.395	GP STUD M6 x 16mm (Inside)
3	55.270	3.395	GP STUD M6 x 16mm (Inside)
4	64.520	3.395	GP STUD M6 x 16mm (Inside)
-----			
5	3.895	0.895	RND Ø0.500
6	0.895	2.895	RND Ø0.500
7	0.895	20.895	RND Ø0.500
8	3.895	22.895	RND Ø0.500
9	67.895	0.895	RND Ø0.500
10	70.895	2.895	RND Ø0.500
11	70.895	20.895	RND Ø0.500
12	67.895	22.895	RND Ø0.500

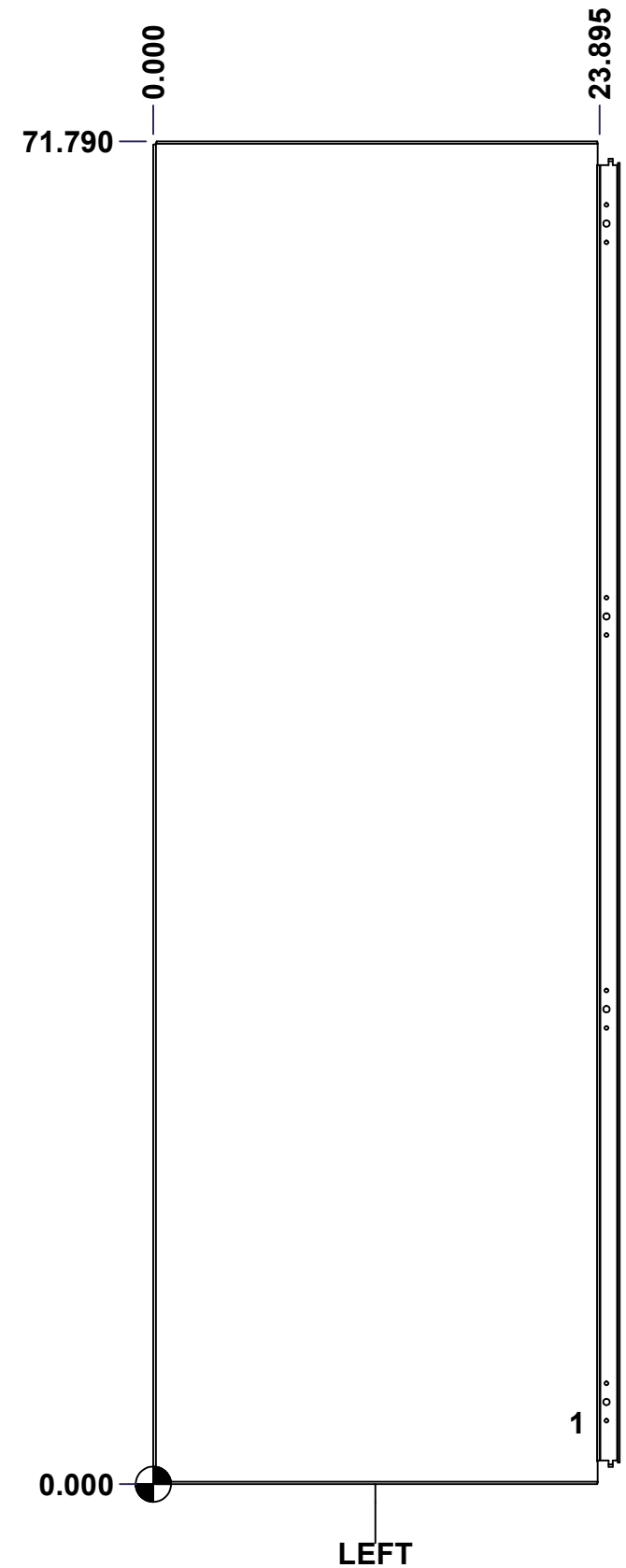


	Description	Status	
	5412SSDD 72" x 72" x 24" Body	Released	
	Part Number Numéro Pièce	Rev.	
	<b>5412SSDD7272246B</b>	<b>0</b>	4 / 7

This drawing is confidential and must not be reproduced or used without the consent of EXM

Ce dessin est confidentiel et ne doit pas être reproduit ou utilisé sans le consentement de EXM

<b>STANDARD FEATURES ARE NOT LISTED IN THIS HOLE TABLE</b>			
<b>HOLE TABLE - LEFT VIEW (CUSTOM FEATURE ONLY)</b>			
CUT-OUT	XDIM	YDIM	DESCRIPTION
1	22.395	3.270	GND STUD M6 x 16mm (Inside)

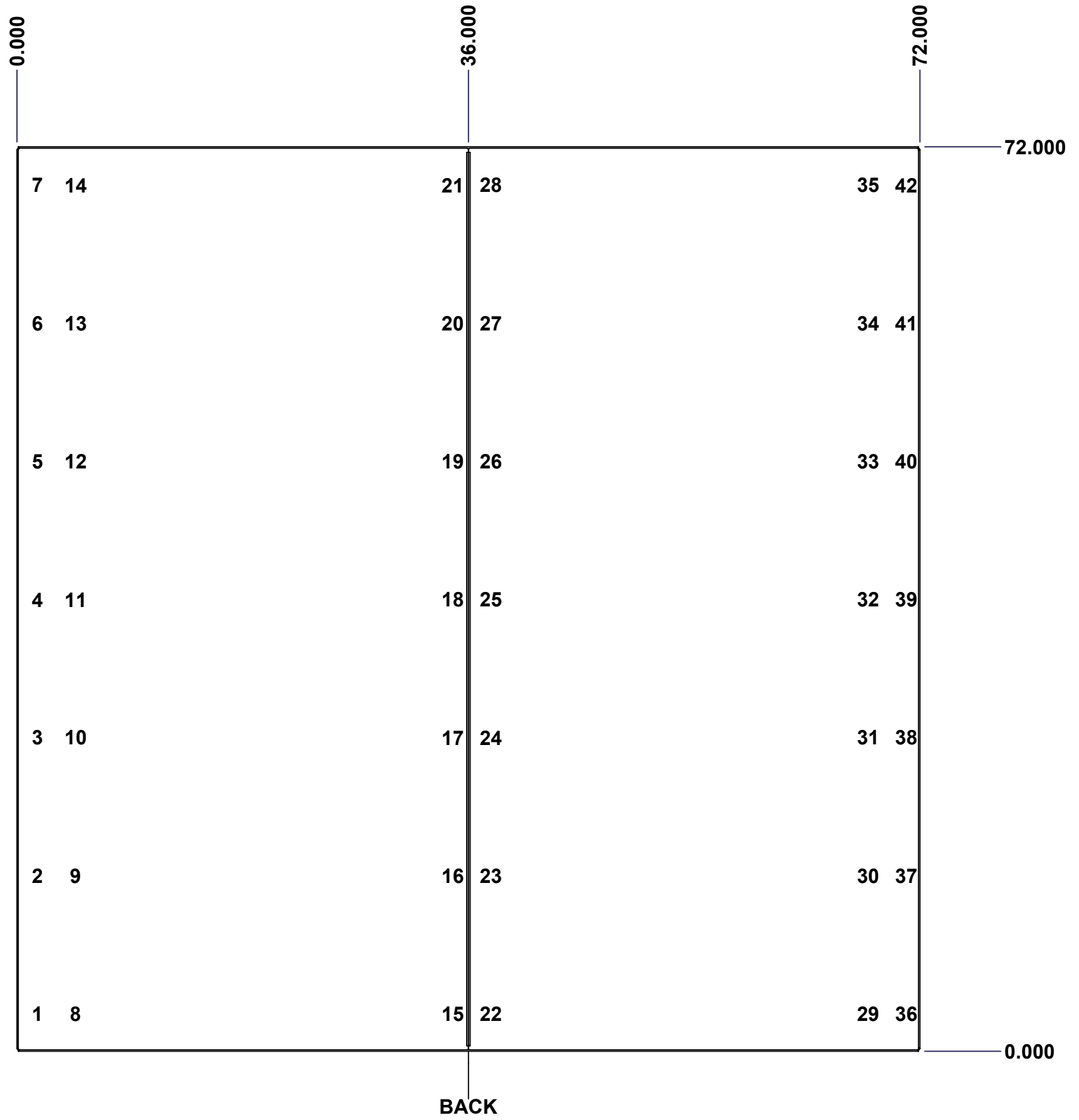


	Description		Status	
	5412SSDD 72" x 72" x 24" Body		Released	
Part Number Numéro Pièce		Rev.	5 / 7	
<b>5412SSDD7272246B</b>		<b>0</b>		

This drawing is confidential and must not be reproduced or used without the consent of EXM

Ce dessin est confidentiel et ne doit pas être reproduit ou utilisé sans le consentement de EXM

STANDARD FEATURES ARE NOT LISTED IN THIS HOLE TABLE			
HOLE TABLE - BACK VIEW (CUSTOM FEATURE ONLY)			
CUT-OUT	XDIM	YDIM	DESCRIPTION
1	1.355	3.000	STUDS M6 x 18mm (Inside)
2	1.355	14.000	STUDS M6 x 18mm (Inside)
3	1.355	25.000	STUDS M6 x 18mm (Inside)
4	1.355	36.000	STUDS M6 x 18mm (Inside)
5	1.355	47.000	STUDS M6 x 18mm (Inside)
6	1.355	58.000	STUDS M6 x 18mm (Inside)
7	1.355	69.000	STUDS M6 x 18mm (Inside)
8	4.395	3.000	STUDS M6 x 18mm (Inside)
9	4.395	14.000	STUDS M6 x 18mm (Inside)
10	4.395	25.000	STUDS M6 x 18mm (Inside)
11	4.395	36.000	STUDS M6 x 18mm (Inside)
12	4.395	47.000	STUDS M6 x 18mm (Inside)
13	4.395	58.000	STUDS M6 x 18mm (Inside)
14	4.395	69.000	STUDS M6 x 18mm (Inside)
15	34.480	3.000	STUDS M6 x 18mm (Inside)
16	34.480	14.000	STUDS M6 x 18mm (Inside)
17	34.480	25.000	STUDS M6 x 18mm (Inside)
18	34.480	36.000	STUDS M6 x 18mm (Inside)
19	34.480	47.000	STUDS M6 x 18mm (Inside)
20	34.480	58.000	STUDS M6 x 18mm (Inside)
21	34.480	69.000	STUDS M6 x 18mm (Inside)
22	37.520	3.000	STUDS M6 x 18mm (Inside)
23	37.520	14.000	STUDS M6 x 18mm (Inside)
24	37.520	25.000	STUDS M6 x 18mm (Inside)
25	37.520	36.000	STUDS M6 x 18mm (Inside)
26	37.520	47.000	STUDS M6 x 18mm (Inside)
27	37.520	58.000	STUDS M6 x 18mm (Inside)
28	37.520	69.000	STUDS M6 x 18mm (Inside)
29	67.605	3.000	STUDS M6 x 18mm (Inside)
30	67.605	14.000	STUDS M6 x 18mm (Inside)
31	67.605	25.000	STUDS M6 x 18mm (Inside)
32	67.605	36.000	STUDS M6 x 18mm (Inside)
33	67.605	47.000	STUDS M6 x 18mm (Inside)
34	67.605	58.000	STUDS M6 x 18mm (Inside)
35	67.605	69.000	STUDS M6 x 18mm (Inside)
36	70.645	3.000	STUDS M6 x 18mm (Inside)
37	70.645	14.000	STUDS M6 x 18mm (Inside)
38	70.645	25.000	STUDS M6 x 18mm (Inside)
39	70.645	36.000	STUDS M6 x 18mm (Inside)
40	70.645	47.000	STUDS M6 x 18mm (Inside)
41	70.645	58.000	STUDS M6 x 18mm (Inside)
42	70.645	69.000	STUDS M6 x 18mm (Inside)

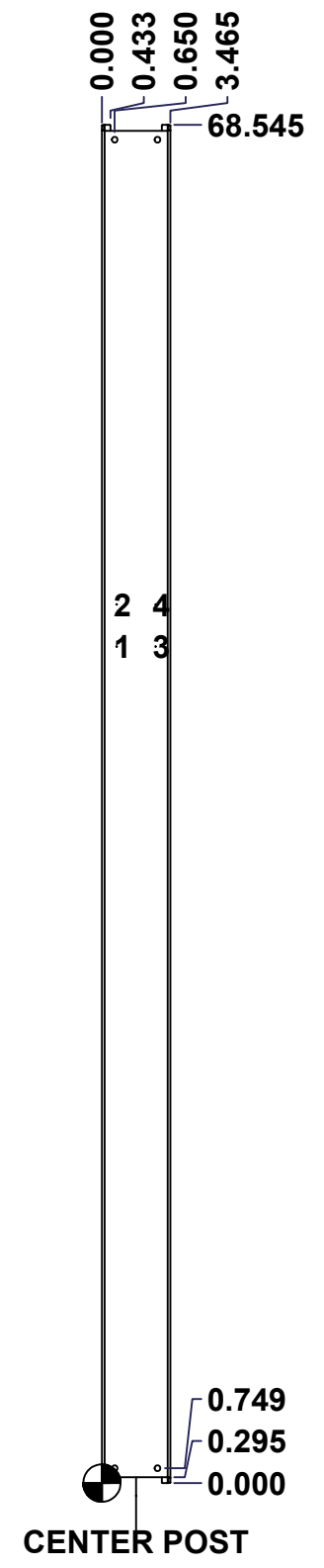


	Description	Status
	5412SSDD 72" x 72" x 24" Body	Released
	Part Number Numéro Pièce	Rev.
	<b>5412SSDD7272246B</b>	<b>0</b>
		6
		7

This drawing is confidential and must not be reproduced or used without the consent of EXM

Ce dessin est confidentiel et ne doit pas être reproduit ou utilisé sans le consentement de EXM

STANDARD FEATURES ARE NOT LISTED IN THIS HOLE TABLE			
HOLE TABLE - CENTER VIEW (CUSTOM FEATURE ONLY)			
CUT-OUT	XDIM	YDIM	DESCRIPTION
1	0.748	42.220	INTERLOCK STUD M6 x 16mm (Inside)
2	0.748	44.346	INTERLOCK STUD M6 x 16mm (Inside)
3	2.717	42.220	INTERLOCK STUD M6 x 16mm (Inside)
4	2.717	44.346	INTERLOCK STUD M6 x 16mm (Inside)



	Description	Status	
	5412SSDD 72" x 72" x 24" Body	Released	
	Part Number Numéro Pièce	Rev.	
	<b>5412SSDD7272246B</b>	<b>0</b>	6 7

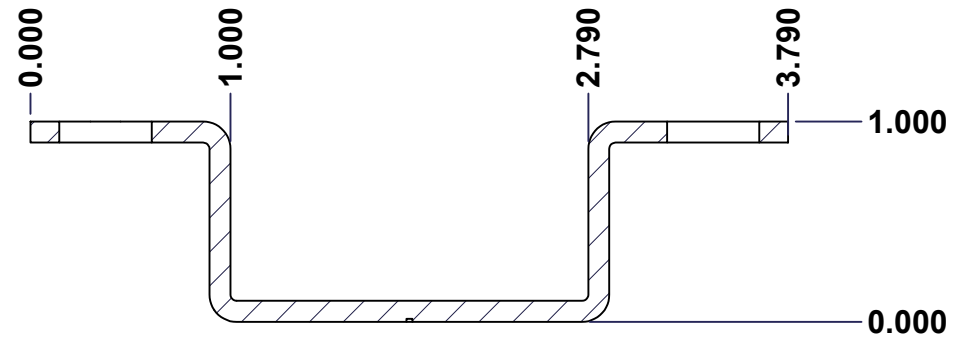
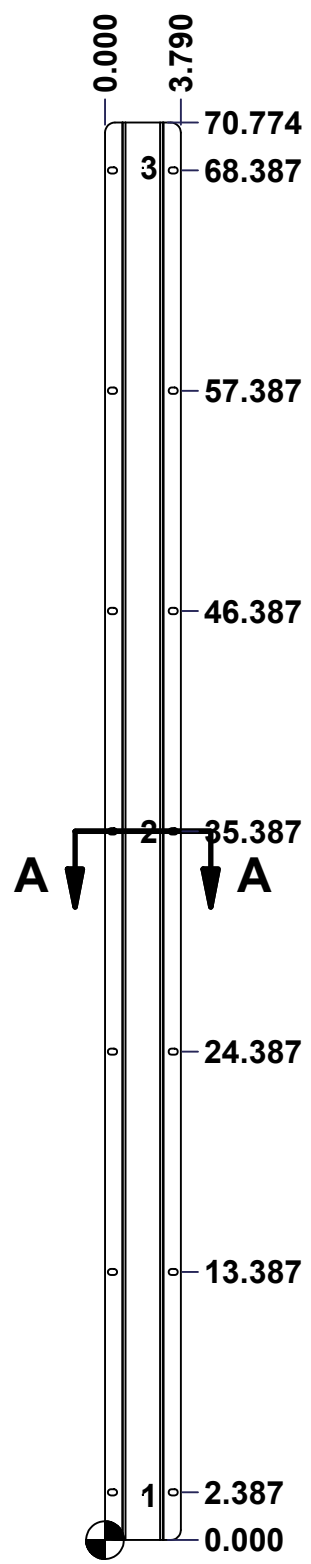
This drawing is confidential and must not be reproduced or used without the consent of EXM

Ce dessin est confidentiel et ne doit pas être reproduit ou utilisé sans le consentement de EXM

**STANDARD FEATURES ARE NOT LISTED IN THIS HOLE TABLE**

**HOLE TABLE - CENTER VIEW (CUSTOM FEATURE ONLY)**

CUT-OUT	XDIM	YDIM	DESCRIPTION
1	1.895	2.262	IP STUD M10 x 40mm (Outside)
2	1.895	35.387	IP STUD M10 x 40mm (Outside)
3	1.895	68.512	IP STUD M10 x 40mm (Outside)



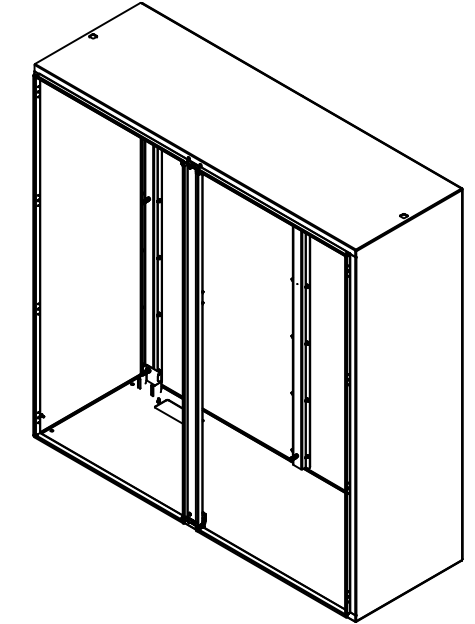
**SECTION A-A**

	Description	Status	
	5412SSDD 72" x 72" x 24" Body	Released	
	Part Number Numéro Pièce	Rev.	
	<b>5412SSDD7272246B</b>	<b>0</b>	6 7

This drawing is confidential and must not be reproduced or used without the consent of EXM

Ce dessin est confidentiel et ne doit pas être reproduit ou utilisé sans le consentement de EXM


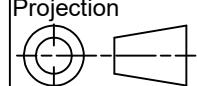
No.	Revisions	Date	By/Par



Isometric View

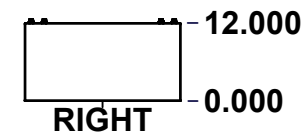
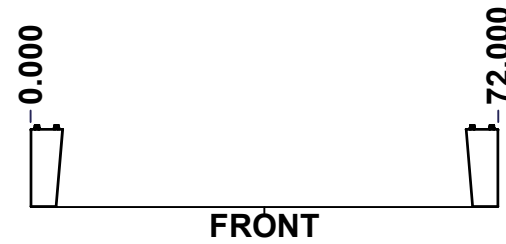
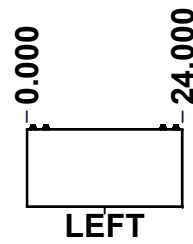
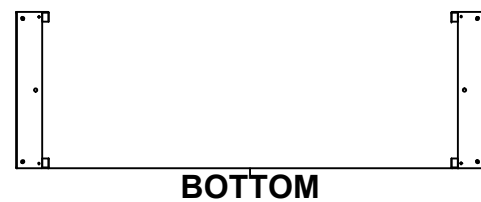
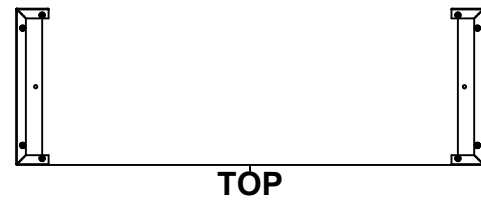


Qty	Part Number	Rev	Description
6	STK-Q-16040	0	Stud M6 x 10mm Stainless Steel
2	STK-Q-16085	0	Ground Stud M6 x 16mm Stainless Steel
4	STK-Q-16095	0	M6 x 16mm Stainless Steel Ground Stud
46	STK-Q-16070	1	Stud M6 x 18mm Stainless Steel
1	STK-A-75456	2	Center Post - Stainless Steel Sealing Block with Latch Assembly (Large)
1	5412SSDD7272246CP-P	0	5412SSDD 72" Center Post Part
8	STK-Q-16120	0	Stud M10 x 40mm Stainless Steel
2	STK-Q-07320	0	Flange Lock Nut M10
2	STK-Q-07618	1	5500 Series Inner Panel Support Bracket
3	5412SSDD7272246POST-P	0	5412SSDD 72" IP Post Part
1	5412SSDD7272246BT-P	0	5412SSDD 72" x 24" Bottom Part
1	5412SSDD7272246T-P	0	5412SSDD 72" x 24" Top Part
1	5412SSDD7272246RS-P	0	5412SSDD 72" x 72" Right Part
1	5412SSDD7272246LS-P	0	5412SSDD 72" x 72" Left Part
1	5412SSDD7272246BR-P	0	5412SSDD 72" x 72" Back Right Part
1	5412SSDD7272246BL-P	0	5412SSDD 72" x 72" Back Left Part
2	CR400SS_27.5	0	Commercial Roll Stainless Steel (27.5in long)
48	STK-Q-07220	1	M6 Nylon Insert Lock Nut
Qty	Part Number	Rev	Description
Parts List			

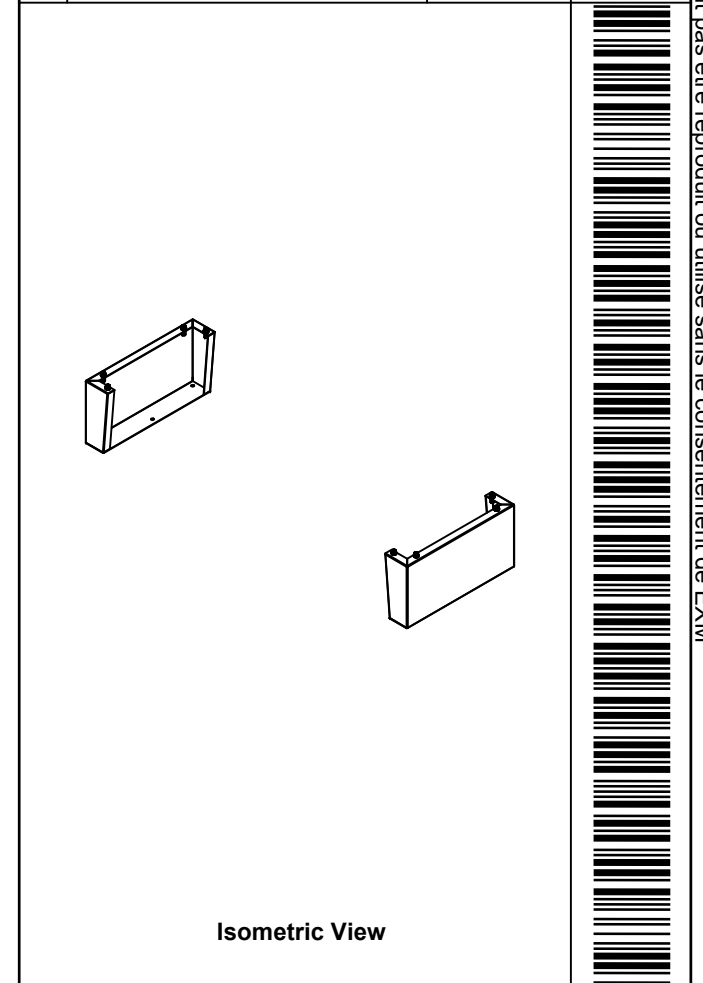
 Tél: (450) 979-4373 Fax: (450) 979-4626 <a href="http://www.exmweb.com">www.exmweb.com</a>		Flatness Aplatissement Max 3.0mm Projection 
Customer Client	Date	
Drawn By Dessiné Par	BoxCad: BoxCad	Date 22-Oct-19
Material Matière	12 Ga Stainless Steel 316 (2.5mm)	
Color Couleur	Unpainted	Finish Fini Brushed
Description	Detail Rev.	
5412SSDD 72" x 72" x 24" Body		
Part Number Numéro Pièce	Rev.	2
<b>5412SSDD7272246B</b>	<b>0</b>	<b>2</b>


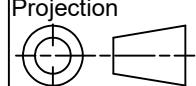
This drawing is confidential and must not be reproduced or used without the consent of EXM

Ce dessin est confidentiel et ne doit pas être reproduit ou utilisé sans le consentement de EXM



No.	Revisions	Date	By/Par



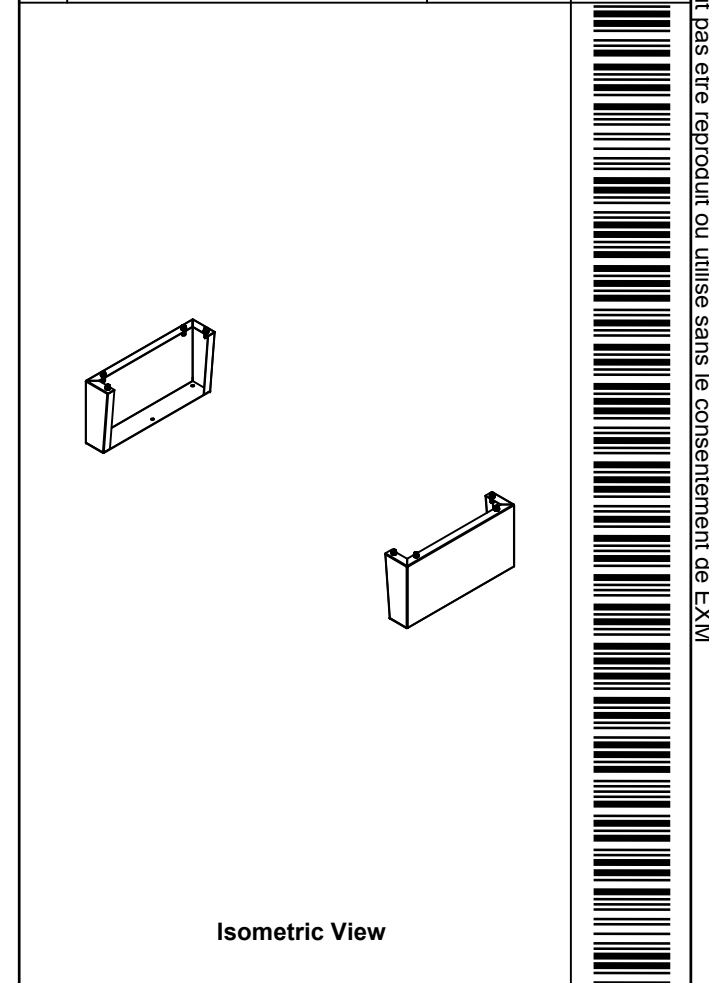
 Tél: (450) 979-4373 Fax: (450) 979-4626 <a href="http://www.exmweb.com">www.exmweb.com</a>		Flatness Aplatissement
		Max 3.0mm
Projection 		Date
Customer Client	BoxCad: BoxCad	Date
Drawn By Dessiné Par	BoxCad: BoxCad	Date 22-Oct-19
Material Matière	12 Ga Stainless Steel 316 (2.5mm)	
Color Couleur	Unpainted	Finish Fini Brushed
Description	Detail Rev.	
885 MFHD 12" x 24" Mounting Feet		
Part Number Numéro Pièce	Rev.	1
<b>5412SSDD7272246MF</b>	<b>0</b>	4



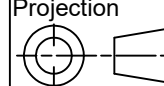
**SEE BILL OF MATERIAL ON LAST PAGE**

This drawing is confidential and must not be reproduced or used without the consent of EXM

Ce dessin est confidentiel et ne doit pas être reproduit ou utilisé sans le consentement de EXM

No.	Revisions	Date	By/Par

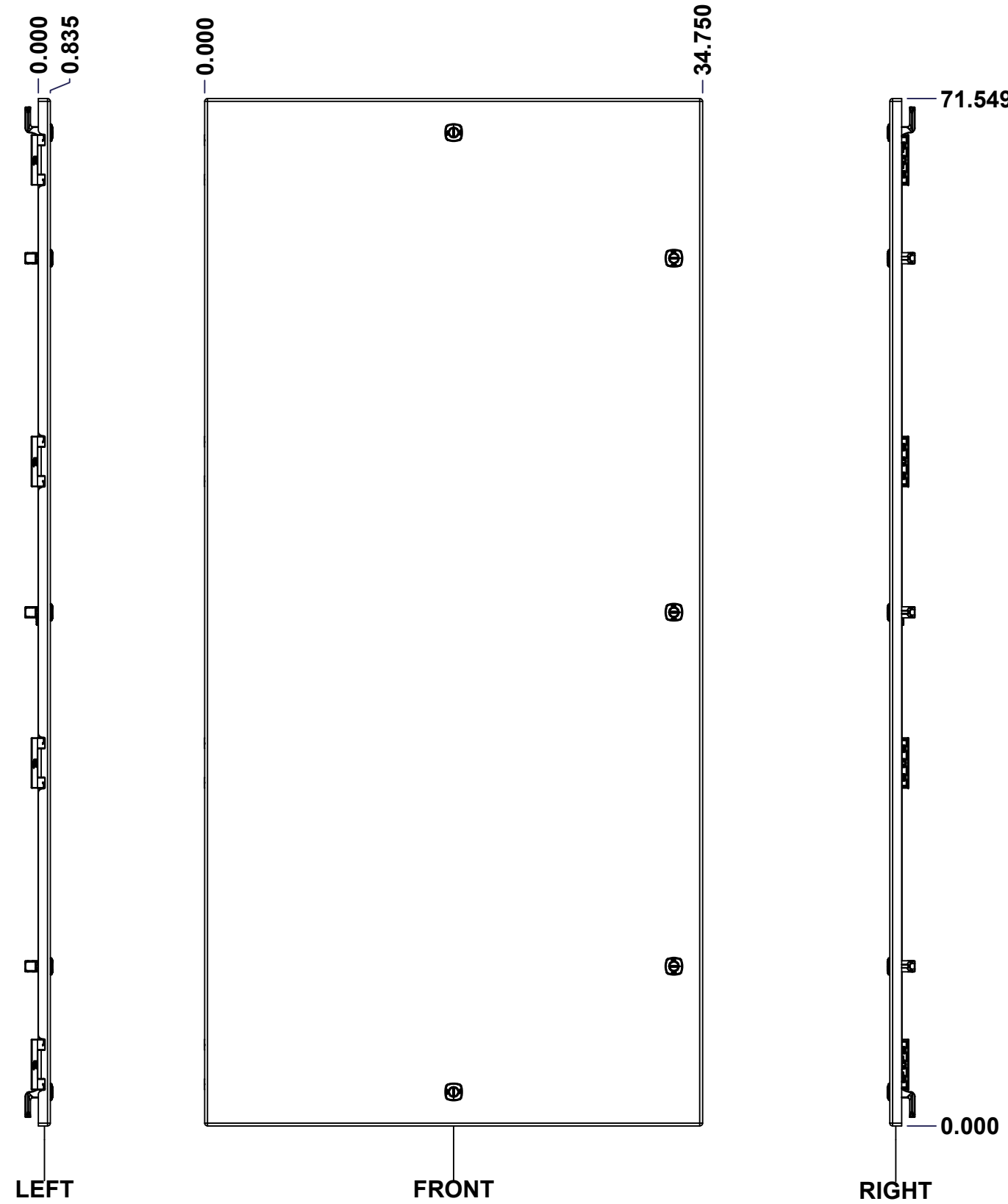
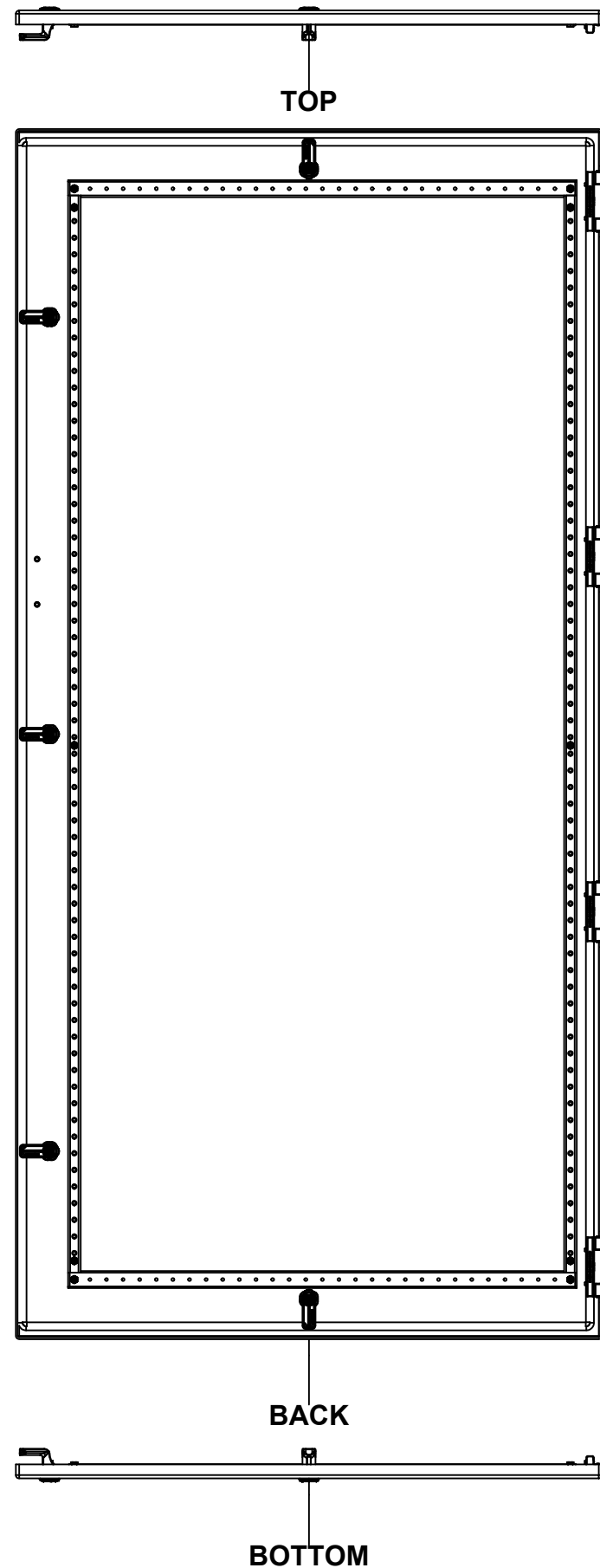


 Tél: (450) 979-4373 Fax: (450) 979-4626 <a href="http://www.exmweb.com">www.exmweb.com</a>		Flatness Aplatissement  Max 3.0mm Projection 
Customer Client	Date	
Drawn By Dessiné Par	BoxCad: BoxCad	Date 22-Oct-19
Material Matière	12 Ga Stainless Steel 316 (2.5mm)	
Color Couleur	Unpainted	Finish Fini Brushed
Description	Detail Rev.	
885 MFHD 12" x 24" Mounting Feet		
Part Number Numéro Pièce	Rev.	4
<b>5412SSDD7272246MF</b>	<b>0</b>	<b>4</b>

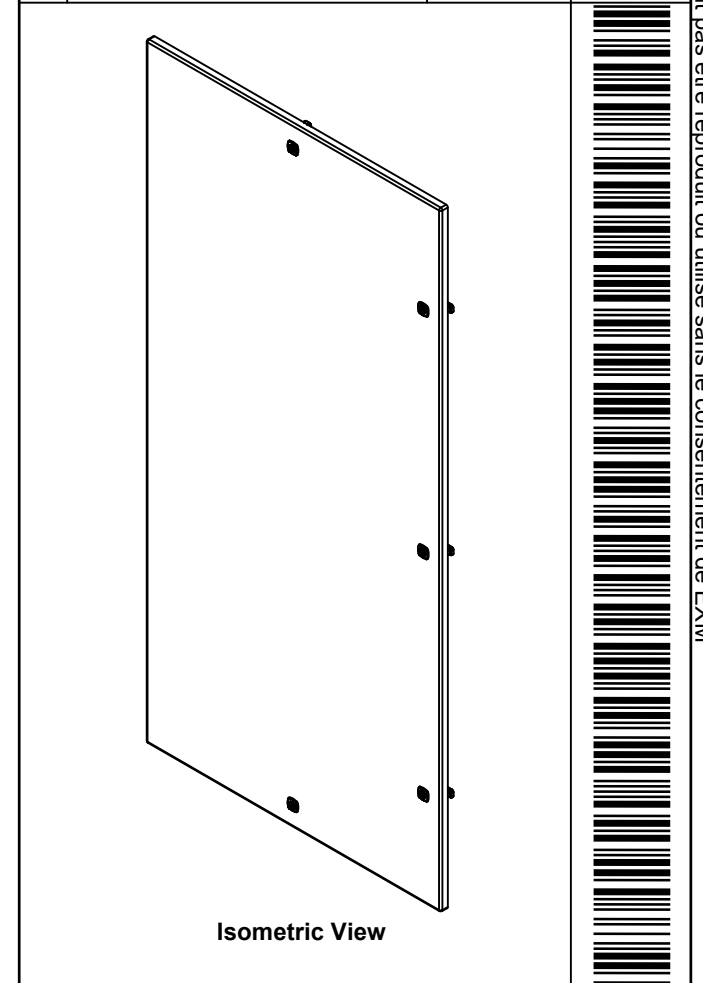
Qty	Part Name	Rev	Description
8	RIVET_NUT_SS_M10_FH_CE	0	Stainless Steel Rivet Nut M10 (Low Profile Close End)
1	5412SSDD7272246MFR-P	0	885 MFHD 12" x 24" Right Mounting Feet Part
1	5412SSDD7272246MFL-P	0	885 MFHD 12" x 24" Left Mounting Feet Part
1	STK-K-11610	2	885 MFSS Accessory Kit
Parts List			


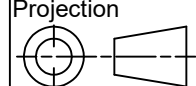
This drawing is confidential and must not be reproduced or used without the consent of EXM

Ce dessin est confidentiel et ne doit pas être reproduit ou utilisé sans le consentement de EXM



No.	Revisions	Date	By/Par



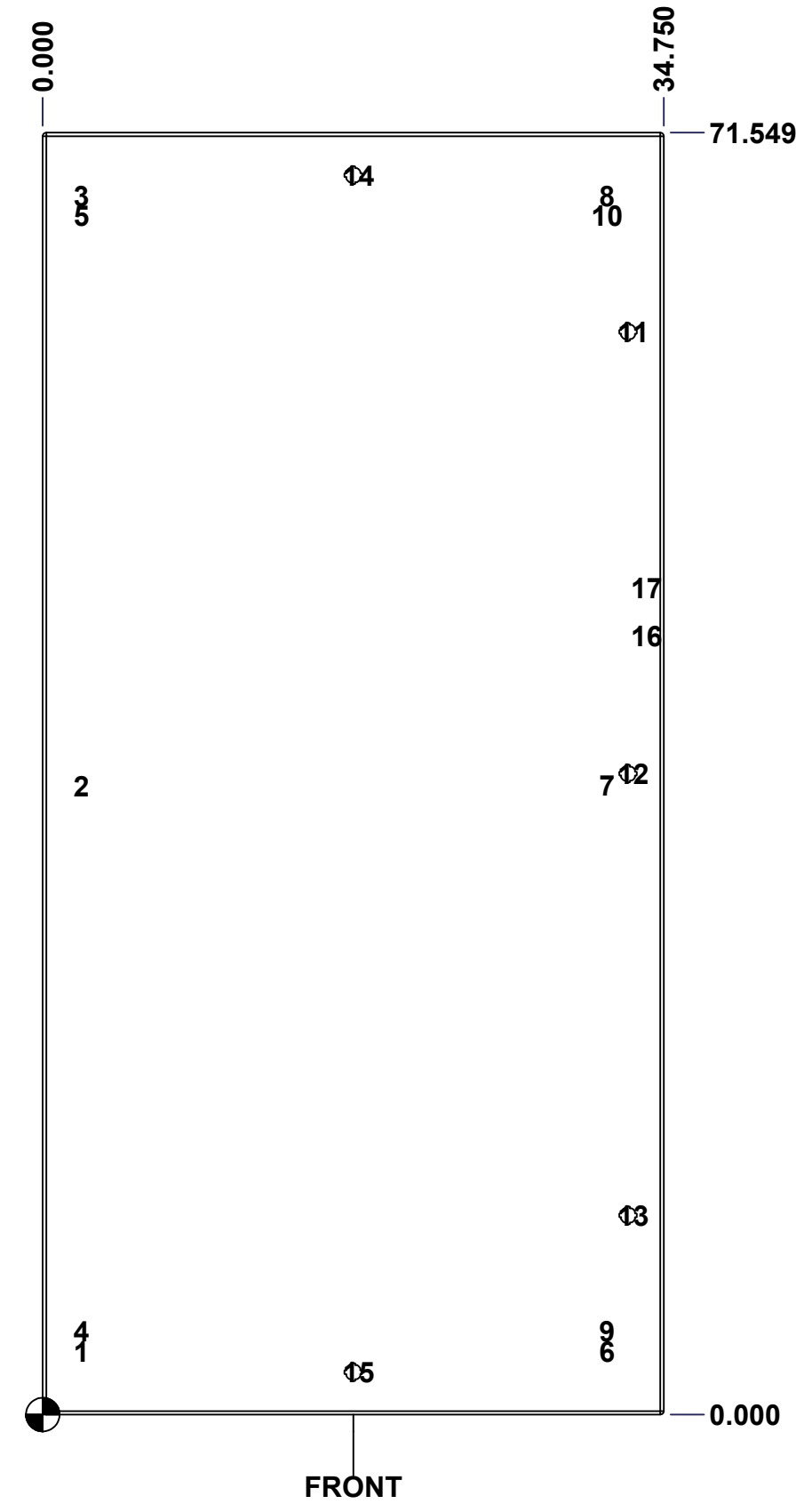
 Tél: (450) 979-4373 Fax: (450) 979-4626 <a href="http://www.exmweb.com">www.exmweb.com</a>		Flatness Aplatissement Max 3.0mm Projection 
Customer Client	Date	
Drawn By Dessiné Par	BoxCad: BoxCad	Date 22-Oct-19
Material Matière	12 Ga Stainless Steel 316 (2.5mm)	
Color Couleur	Unpainted	Finish Fini Brushed
Description	Detail Rev.	
5412SSDD 72" x 72" Slave Door		
Part Number Numéro Pièce	Rev. 0	1 3
<b>5412SSDD7272246LD</b>		

SEE BILL OF MATERIAL ON LAST PAGE

This drawing is confidential and must not be reproduced or used without the consent of EXM

Ce dessin est confidentiel et ne doit pas être reproduit ou utilisé sans le consentement de EXM

STANDARD FEATURES ARE NOT LISTED IN THIS HOLE TABLE			
HOLE TABLE - FRONT VIEW (CUSTOM FEATURE ONLY)			
CUT-OUT	XDIM	YDIM	DESCRIPTION
1	1.875	3.524	STUD M6 x 18mm (Inside)
2	1.875	35.109	STUD M6 x 18mm (Inside)
3	1.875	68.024	STUD M6 x 18mm (Inside)
4	1.875	4.636	STUD M6 x 18mm (Inside)
5	1.875	66.912	STUD M6 x 18mm (Inside)
6	31.282	3.524	STUD M6 x 18mm (Inside)
7	31.282	35.109	STUD M6 x 18mm (Inside)
8	31.282	68.024	STUD M6 x 18mm (Inside)
9	31.282	4.636	STUD M6 x 18mm (Inside)
10	31.282	66.912	STUD M6 x 18mm (Inside)
-----	-----	-----	-----
11	32.750	60.430	LOCK 889 SCQ4-SLSS6 @ 0.0°
12	32.750	35.774	LOCK 889 SCQ4-SLSS6 @ 0.0°
13	32.750	11.118	LOCK 889 SCQ4-SLSS6 @ 0.0°
14	17.375	69.180	LOCK 889 SCQ4-SLSS6 @ 90.0°
15	17.375	2.368	LOCK 889 SCQ4-SLSS6 @ 270.0°
16	33.489	43.445	STUDS M6 x 18mm (Inside)
17	33.489	46.123	STUDS M6 x 18mm (Inside)

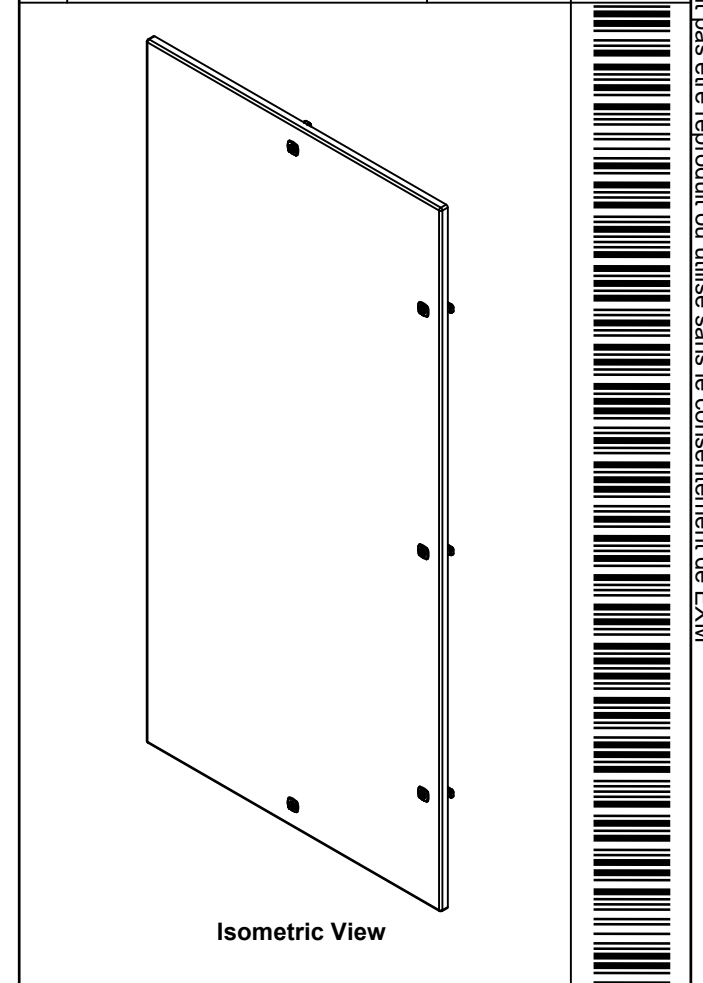



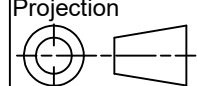
	Description		Status
	5412SSDD 72" x 72" Slave Door		(NULL)
Part Number Numéro Pièce		Rev.	2
<b>5412SSDD7272246LD</b>		<b>0</b>	3

This drawing is confidential and must not be reproduced or used without the consent of EXM

Ce dessin est confidentiel et ne doit pas être reproduit ou utilisé sans le consentement de EXM

No.	Revisions	Date	By/Par

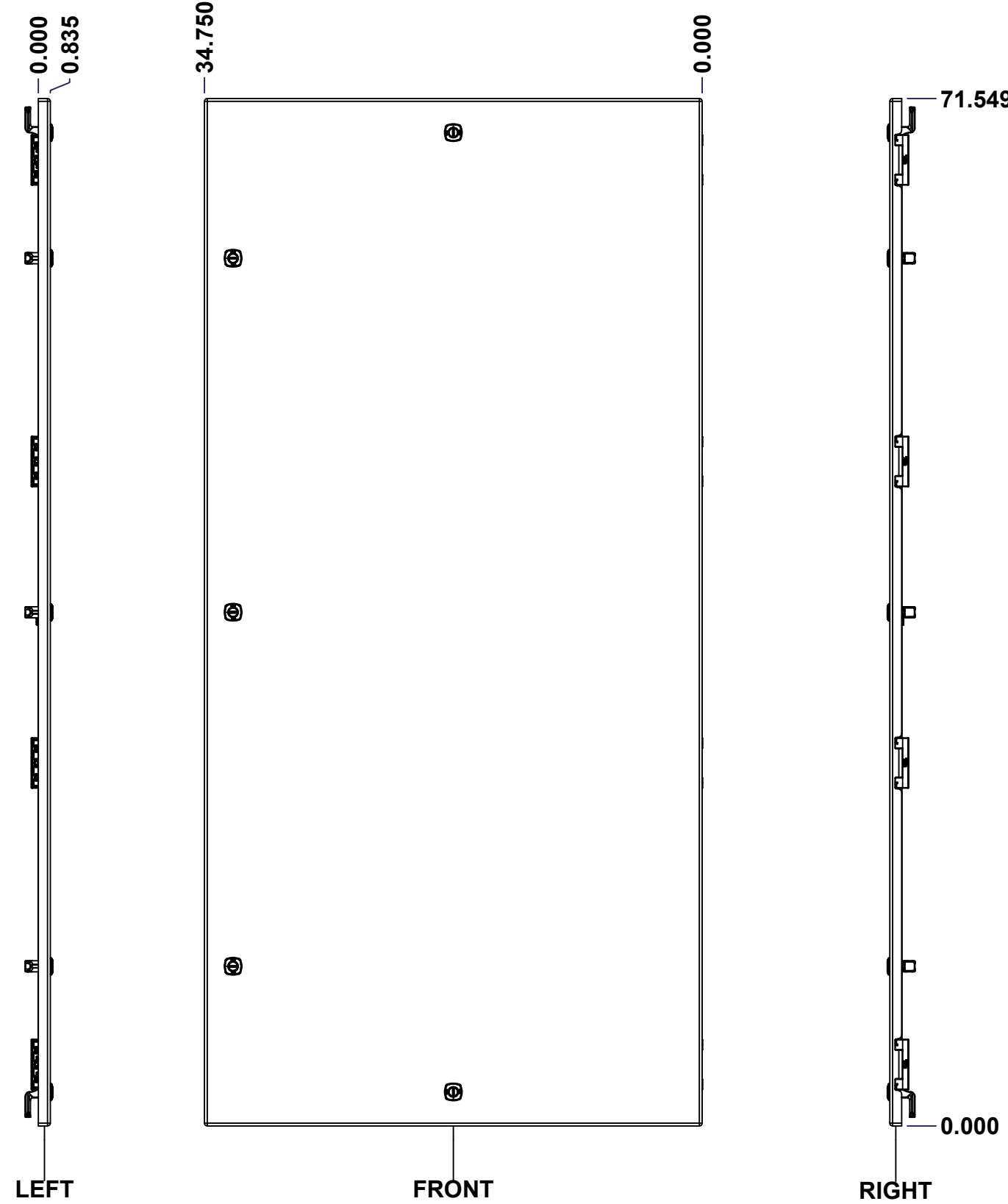
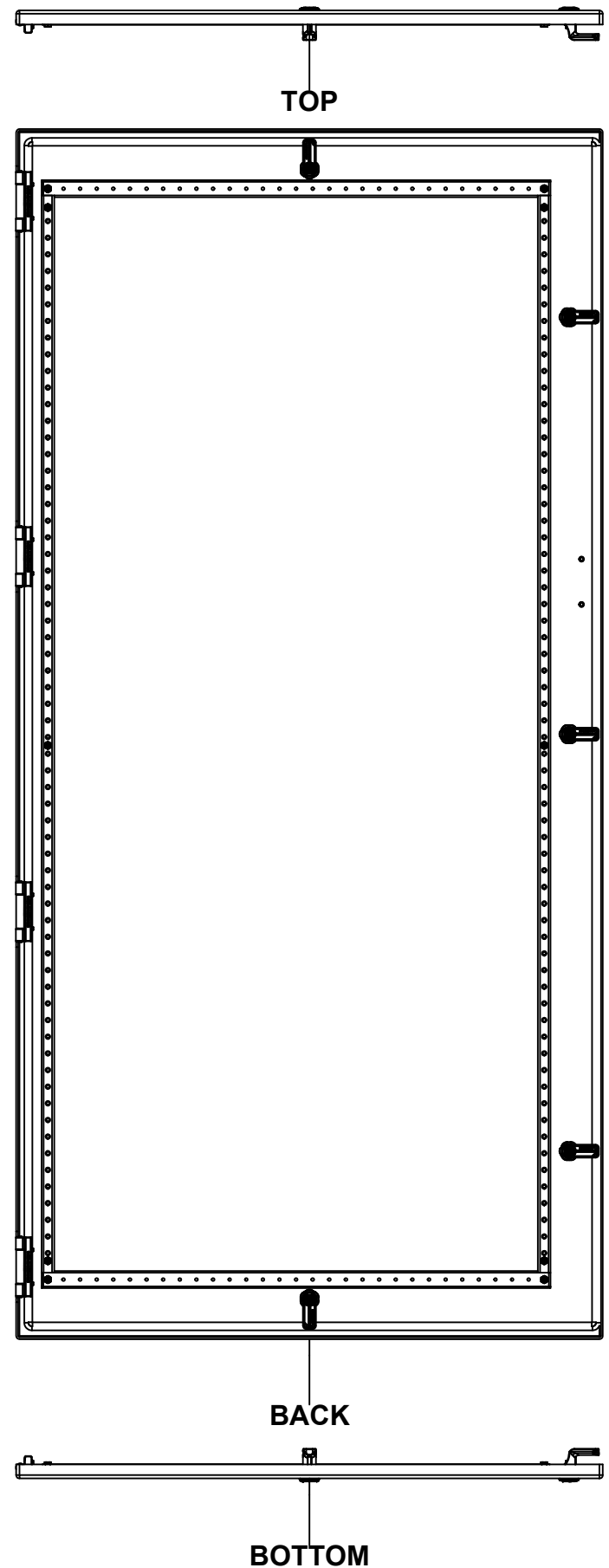


 Tél: (450) 979-4373 Fax: (450) 979-4626 <a href="http://www.exmweb.com">www.exmweb.com</a>		Flatness Aplatissement Max 3.0mm Projection 	
Customer Client		Date	
Drawn By Dessiné Par BoxCad: BoxCad		Date 22-Oct-19	
Material Matière 12 Ga Stainless Steel 316 (2.5mm)			
Color Couleur Unpainted		Finish Fini Brushed	
Description 5412SSDD 72" x 72" Slave Door			Detail Rev.
Part Number Numéro Pièce <b>5412SSDD7272246LD</b>		Rev. <b>0</b>	3 3

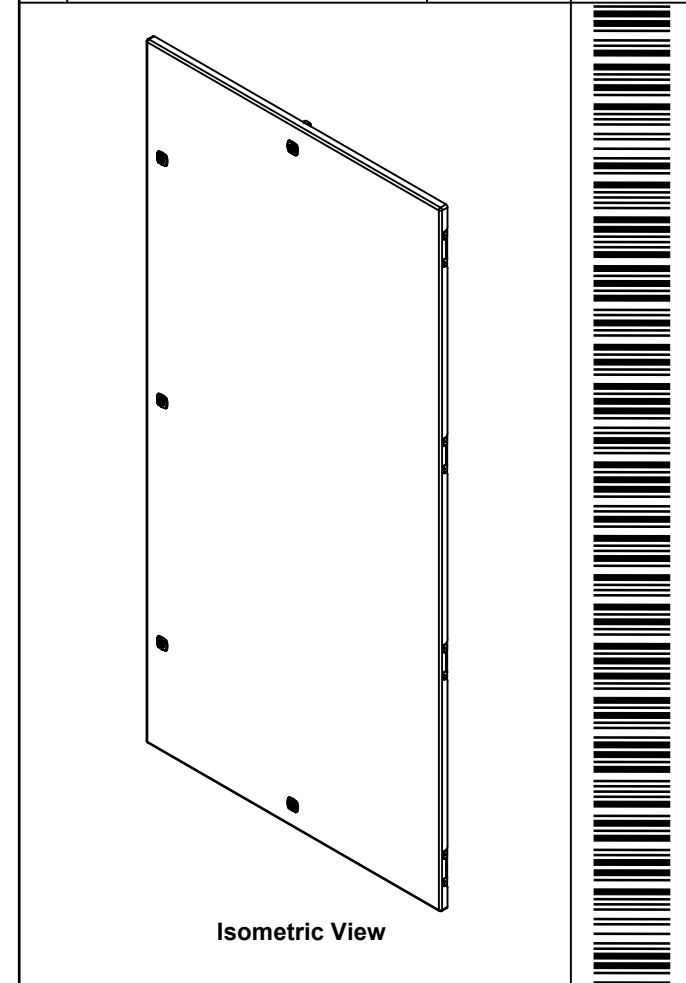
Qty	Part Name	Rev	Description
1	5412SSDD7272246DG	0	5412SSDD 72" x 72" Door Gasket
1	5412SSDD7272246DS1	0	5412SSDD 72" x 72" Door Stiffener
12	STK-Q-16070	1	Stud M6 x 18mm Stainless Steel
1	5412SSDD7272246LD-P	0	5412SSDD 72" x 72" Slave Door Part
4	STK-K-09870	7	Cabinet Hinge with Captive Pins
5	889 SCQ4-SLSS6	0	9412 SS 1/4 Turn Lock
Parts List			


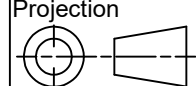
This drawing is confidential and must not be reproduced or used without the consent of EXM

Ce dessin est confidentiel et ne doit pas être reproduit ou utilisé sans le consentement de EXM



No.	Revisions	Date	By/Par



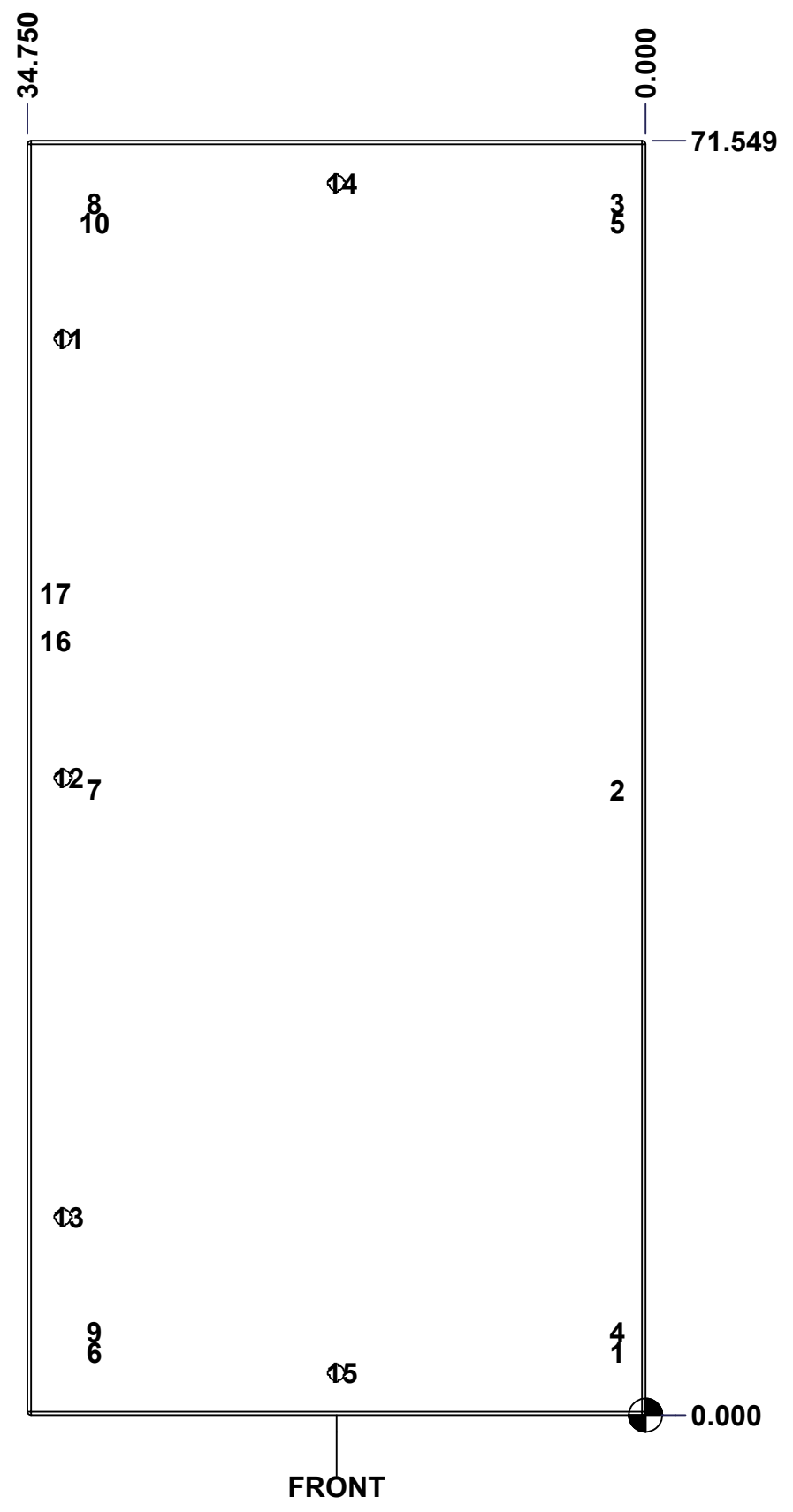
 Tél: (450) 979-4373 Fax: (450) 979-4626 <a href="http://www.exmweb.com">www.exmweb.com</a>		Flatness Aplatissement Max 3.0mm Projection 
Customer Client	Date	
Drawn By Dessiné Par	BoxCad: BoxCad	Date 22-Oct-19
Material Matière	12 Ga Stainless Steel 316 (2.5mm)	
Color Couleur	Unpainted	Finish Fini Brushed
Description	Detail Rev.	
5412SSDD 72" x 72" Master Door		
Part Number Numéro Pièce	Rev.	1
5412SSDD7272246FD	0	3

SEE BILL OF MATERIAL ON LAST PAGE

This drawing is confidential and must not be reproduced or used without the consent of EXM

Ce dessin est confidentiel et ne doit pas être reproduit ou utilisé sans le consentement de EXM

STANDARD FEATURES ARE NOT LISTED IN THIS HOLE TABLE			
HOLE TABLE - FRONT VIEW (CUSTOM FEATURE ONLY)			
CUT-OUT	XDIM	YDIM	DESCRIPTION
1	1.875	3.524	STUD M6 x 18mm (Inside)
2	1.875	35.109	STUD M6 x 18mm (Inside)
3	1.875	68.024	STUD M6 x 18mm (Inside)
4	1.875	4.636	STUD M6 x 18mm (Inside)
5	1.875	66.912	STUD M6 x 18mm (Inside)
6	31.282	3.524	STUD M6 x 18mm (Inside)
7	31.282	35.109	STUD M6 x 18mm (Inside)
8	31.282	68.024	STUD M6 x 18mm (Inside)
9	31.282	4.636	STUD M6 x 18mm (Inside)
10	31.282	66.912	STUD M6 x 18mm (Inside)
-----			
11	32.750	60.430	LOCK 889 SCQ4-SLSS6 @ 180.0°
12	32.750	35.774	LOCK 889 SCQ4-SLSS6 @ 180.0°
13	32.750	11.118	LOCK 889 SCQ4-SLSS6 @ 180.0°
14	17.375	69.180	LOCK 889 SCQ4-SLSS6 @ 90.0°
15	17.375	2.368	LOCK 889 SCQ4-SLSS6 @ 270.0°
16	33.489	43.445	STUDS M6 x 18mm (Inside)
17	33.489	46.123	STUDS M6 x 18mm (Inside)



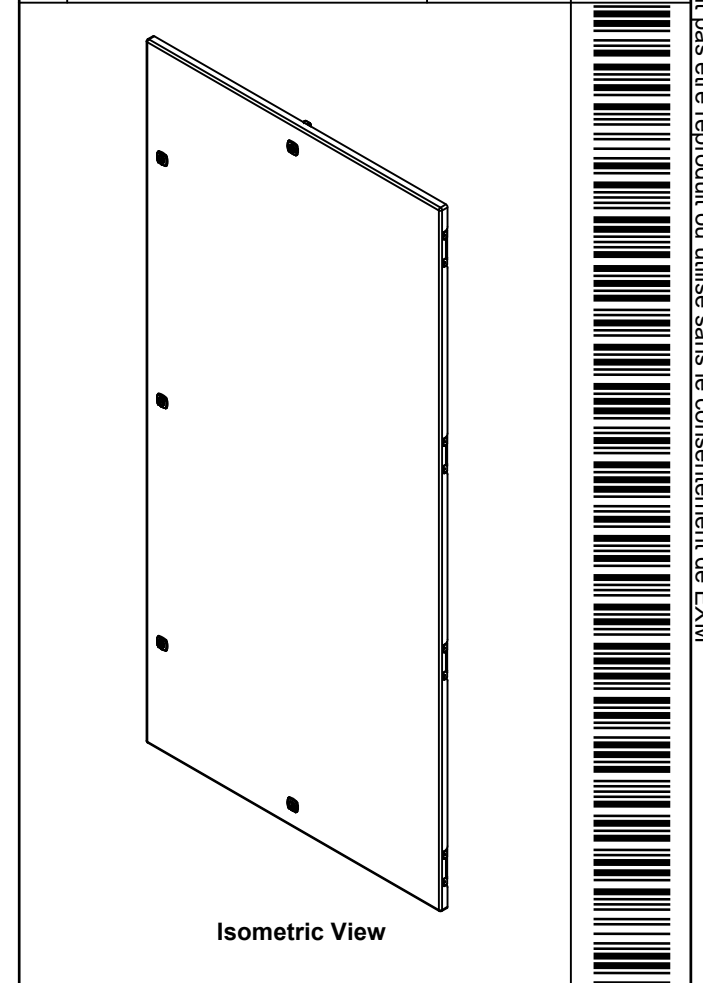
FRONT


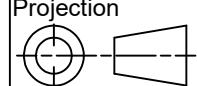
	Description	Status
	5412SSDD 72" x 72" Master Door	(NULL)
	Part Number Numéro Pièce	Rev.
	<b>5412SSDD7272246FD</b>	<b>0</b>
		2
		3

This drawing is confidential and must not be reproduced or used without the consent of EXM

Ce dessin est confidentiel et ne doit pas être reproduit ou utilisé sans le consentement de EXM

No.	Revisions	Date	By/Par



 Tél: (450) 979-4373 Fax: (450) 979-4626 <a href="http://www.exmweb.com">www.exmweb.com</a>		Flatness Aplatissement Max 3.0mm Projection 	
Customer Client		Date	
Drawn By Dessiné Par BoxCad: BoxCad		Date 22-Oct-19	
Material Matière 12 Ga Stainless Steel 316 (2.5mm)			
Color Couleur Unpainted		Finish Fini Brushed	
Description 5412SSDD 72" x 72" Master Door			Detail Rev.
Part Number Numéro Pièce <b>5412SSDD7272246FD</b>		Rev. <b>0</b>	3

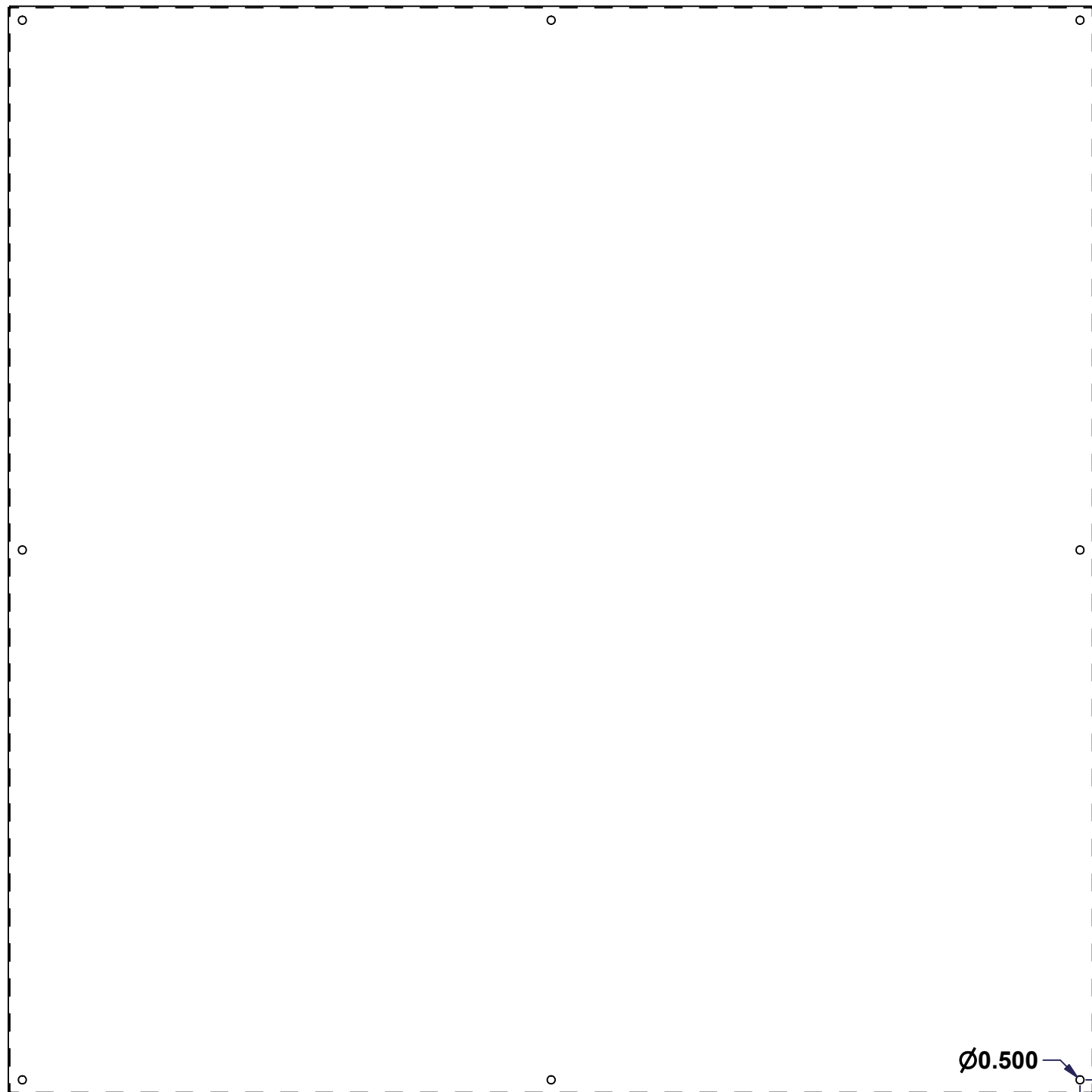
Qty	Part Name	Rev	Description
1	5412SSDD7272246DG	0	5412SSDD 72" x 72" Door Gasket
1	5412SSDD7272246DS1	0	5412SSDD 72" x 72" Door Stiffener
12	STK-Q-16070	1	Stud M6 x 18mm Stainless Steel
1	5412SSDD7272246FD-P	0	5412SSDD 72" x 72" Master Door Part
4	STK-K-09870	7	Cabinet Hinge with Captive Pins
5	889 SCQ4-SLSS6	0	9412 SS 1/4 Turn Lock
Parts List			

This drawing is confidential and must not be reproduced or used without the consent of EXM

Ce dessin est confidentiel et ne doit pas être reproduit ou utilisé sans le consentement de EXM



TOP

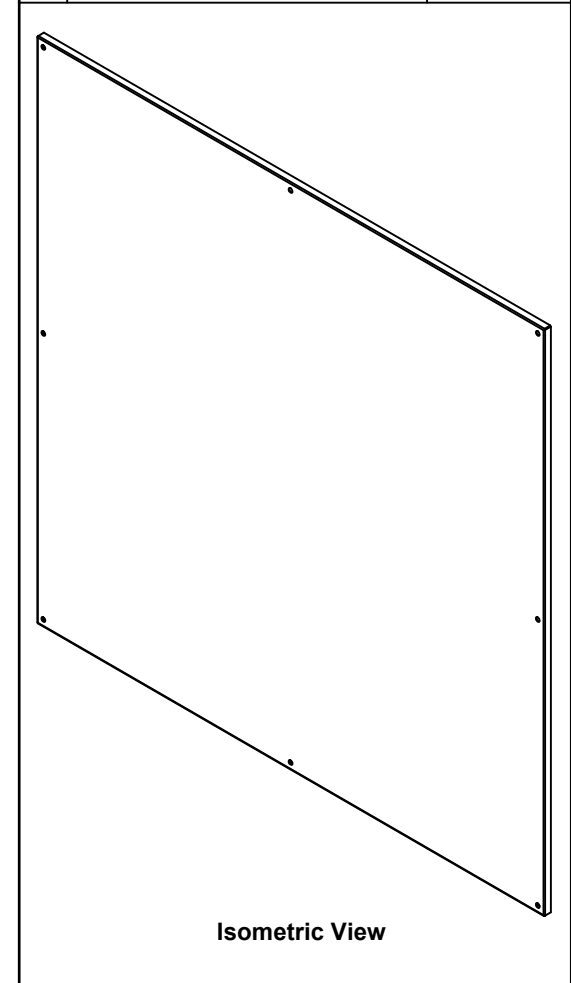


FRONT



RIGHT

No.	Revisions	Date	By/Par



Isometric View



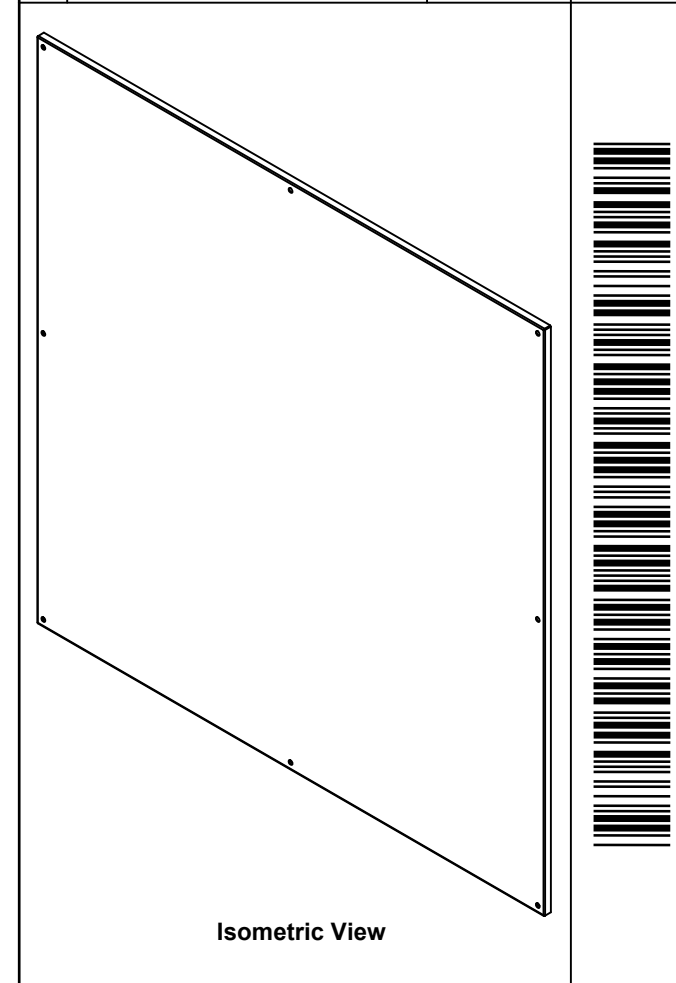
	Flatness Aplatissement Max 3.0mm
	Projection 
Tél: (450) 979-4373 Fax: (450) 979-4626 www.exmweb.com	Customer Client
Drawn By Dessiné Par BoxCad	Date 04/11/2009
Material Matière 12 Ga Galvanized (2.5mm)	
Color Couleur Unpainted	Finish Fini Unpainted
Description 885 SP7272G Inner Panel	
Part Number Numéro Pièce <b>885SP7272G</b>	Detail Rev. Rev. 1 0 2


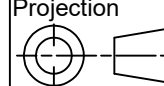
SEE BILL OF MATERIAL ON LAST PAGE

This drawing is confidential and must not be reproduced or used without the consent of EXM

Ce dessin est confidentiel et ne doit pas être reproduit ou utilisé sans le consentement de EXM

No.	Revisions	Date	By/Par



 Tél: (450) 979-4373 Fax: (450) 979-4626 www.exmweb.com		Flatness Aplatissement Max 3.0mm Projection 
Customer Client	Date	
Drawn By Dessiné Par	BoxCad	Date 04/11/2009
Material Matière 12 Ga Galvanized (2.5mm)		
Color Couleur	Unpainted	Finish Fini Unpainted
Description 885 SP7272G Inner Panel		Detail Rev.
Part Number Numéro Pièce	<b>885SP7272G</b>	Rev. 2 <b>0</b>

Qty	Part Number	Rev	Description
1	885SP7272G-P	0	885 SP7272G Inner Panel Part
Parts List			