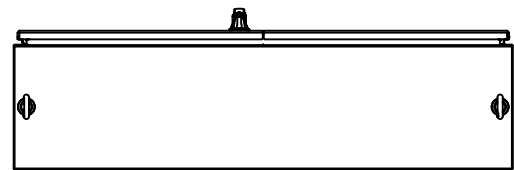
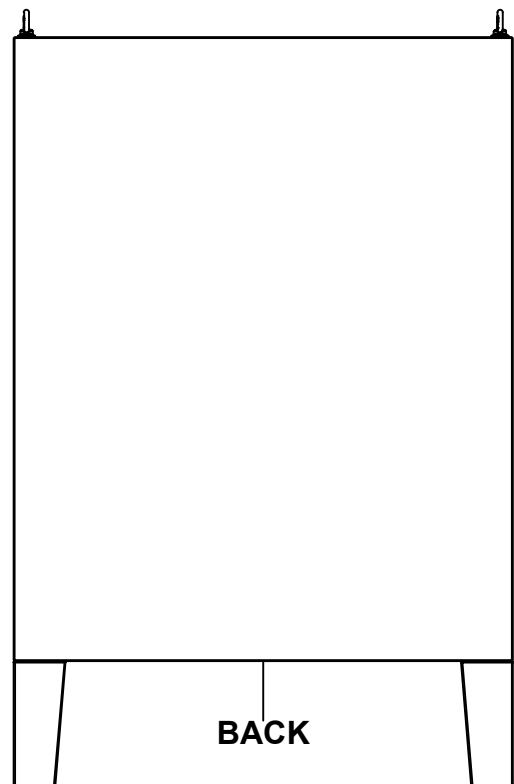


This drawing is confidential and must not be reproduced or used without the consent of EXM

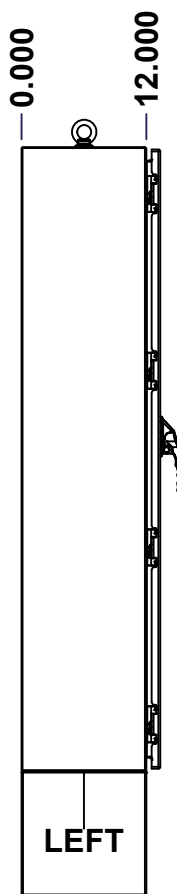
Ce dessin est confidentiel et ne doit pas être reproduit ou utilisé sans le consentement de EXM



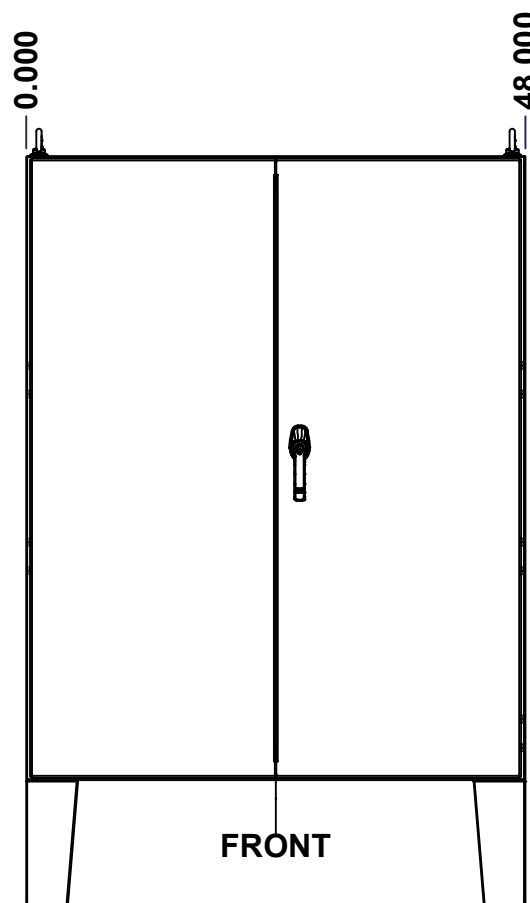
TOP



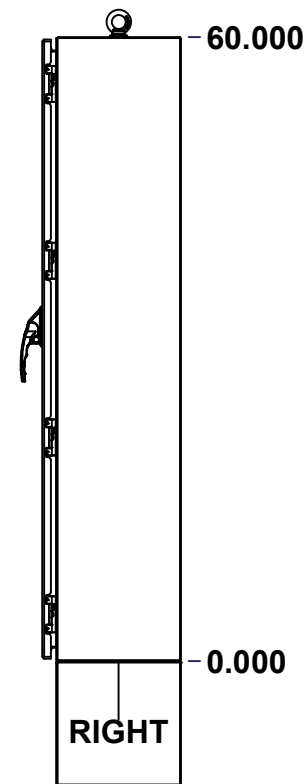
BACK



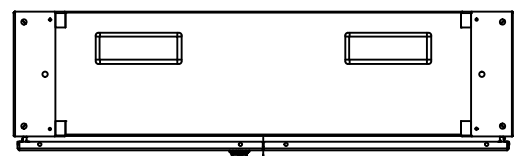
LEFT



FRONT

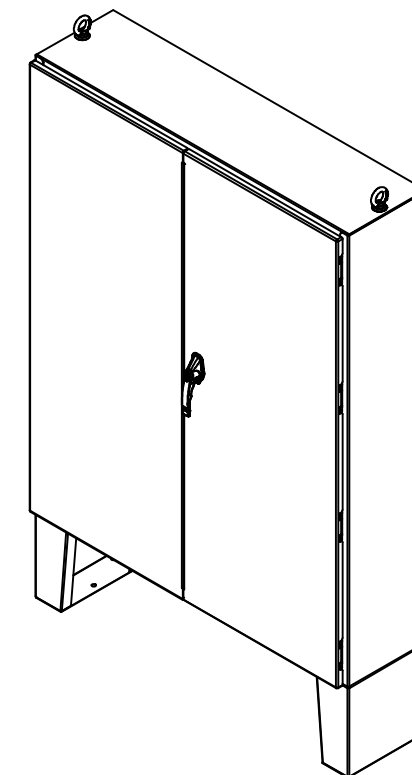


RIGHT



BOTTOM

| No. | Revisions | Date | By/Par |
|-----|-----------|------|--------|
|     |           |      |        |
|     |           |      |        |
|     |           |      |        |
|     |           |      |        |



Isometric View

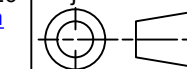


Tél: (450) 979-4373  
 Fax: (450) 979-4626  
[www.exmweb.com](http://www.exmweb.com)

Flatness  
Aplatissement

Max 3.0mm

Projection



|   |                |
|---|----------------|
| Customer Client   | Date           |
| Drawn By<br>Dessiné Par BoxCad: BoxCad                        | Date 09-Sep-14 |
| Material<br>Matière 12 Ga Cold Rolled A1008 CS Type B (2.5mm) |                |

|                              |                       |
|------------------------------|-----------------------|
| Color<br>Couleur Asa-61 Grey | Finish<br>Fini Smooth |
|------------------------------|-----------------------|

|   |             |
|---|-------------|
| Description<br>5500DDS 60" x 48" x 12" Assembly | Detail Rev. |
|---|-------------|

|   |        |   |
|---|--------|---|
| Part Number<br>Numéro Pièce 5500DDS604812 | Rev. 0 | 1 |
|---|--------|---|

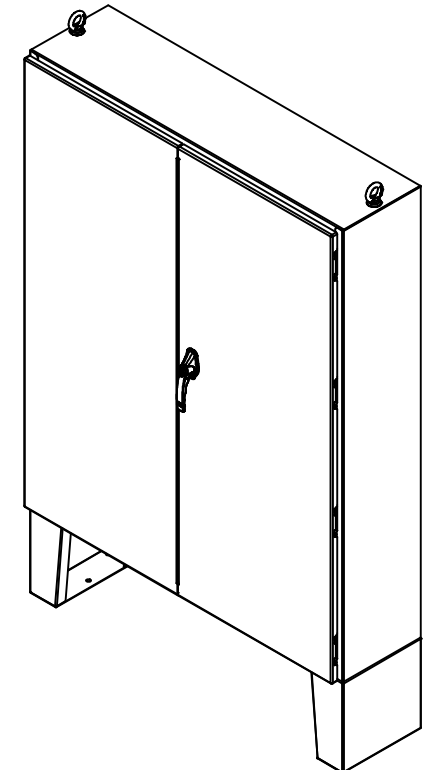
SEE BILL OF MATERIAL ON LAST PAGE

This drawing is confidential and must not be reproduced or used without the consent of EXM

Ce dessin est confidentiel et ne doit pas être reproduit ou utilisé sans le consentement de EXM

| NOTE |   |
|------|---|
| ITEM | DESCRIPTION                                     |
| 1    | NEMA 12, 13 Enclosure (IP55)                    |
| 2    | C/W Standard ground studs on box and cover      |
| 3    | C/W Standard door stiffener                     |
| 4    | C/W Standard inner panel (Included)             |
| 5    | C/W Standard inner panel mounting studs         |
| 6    | C/W Eyebolts sold separately (Installed by EXM) |
| 7    | C/W Mounting feet sold separately (Installed)   |
| 8    | C/W Struts installed (Included)                 |


| No. | Revisions | Date | By/Par |
|-----|-----------|------|--------|
|     |           |      |        |
|     |           |      |        |
|     |           |      |        |
|     |           |      |        |
|     |           |      |        |
|     |           |      |        |



Isometric View

| PACKING               |     |  |
|-----------------------|-----|--|
| ITEM                  | QTY | DESCRIPTION                                    |
| Cardboard sleeve      | 2   | Top and Bottom                                 |
| Cardboard strip       | 2   | Between back of enclosure and inner panel      |
| Plastic bag           | 1   | To protect cover surface and inside gasket     |
| Cardboard corner      | 4   | To reinforced for the plastic strap tightening |
| Plastic strap - Black | 2   | To Squeeze 2 cardboard sleeve together         |
| Packaging label       | 3   | White label with PN                            |
| Plastic strap- Green  | 2   | To secure the enclosure to the wood pallet     |
| Wood Pallet           | 1   | 2" deeper and 3" larger than enclosure size    |

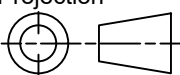
|            |                 |     |   |
|------------|-----------------|-----|---|
| 1          | 5500DDS604812MF | 0   | 885 MFHD 12" x 12" Mounting Feet                        |
| 8          | STK-Q-07320     | 0   | Flange Lock Nut M10                                     |
| 1          | 885SP6048G      | 0   | 885 SP6048G Inner Panel                                 |
| 1          | 880EB14         | 2   | Eye Bolt M14 (Pack of 2)                                |
| 8          | STK-Q-07620     | 0   | M10 Plastic Spacer 0.875"                               |
| 1          | 5500DDS604812FD | 0   | 5500DDS 60" x 48" Cover                                 |
| 1          | 5500DDS604812LD | 0   | 5500DDS 60" x 48" Cover                                 |
| 1          | 5500DDS604812B  | 0   | 5500DDS 60" x 48" x 12" Body                            |
| 2          | 5500DDS604812GP | 0   | 5500DDS Gland Plate                                     |
| 8          | STK-Q-04050-10  | 8   | M6 x 10mm Hexagon Socket Head Machine Screw with Nyseal |
| Qty        | Part Number     | Rev | Description   |
| Parts List |                 |     |   |



Tél: (450) 979-4373  
Fax: (450) 979-4626  
[www.exmweb.com](http://www.exmweb.com)

Flatness  
Aplatissement  
Max 3.0mm

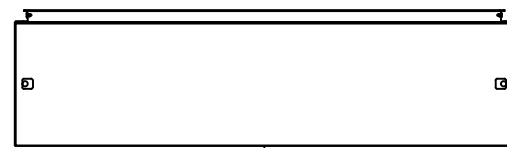
Projection



|                                  |   |
|----------------------------------|---|
| Customer Client                  | Date                                      |
| Drawn By<br>Dessiné Par          | Date 09-Sep-14                            |
| Material<br>Matière              | 12 Ga Cold Rolled A1008 CS Type B (2.5mm) |
| Color<br>Couleur                 | Asa-61 Grey                               |
| Finish<br>Fini                   | Smooth                                    |
| Description                      | Detail Rev.                               |
| 5500DDS 60" x 48" x 12" Assembly |   |
| Part Number<br>Numéro Pièce      | Rev.                                      |
| <b>5500DDS604812</b>             | <b>0</b>                                  |

This drawing is confidential and must not be reproduced or used without the consent of EXM

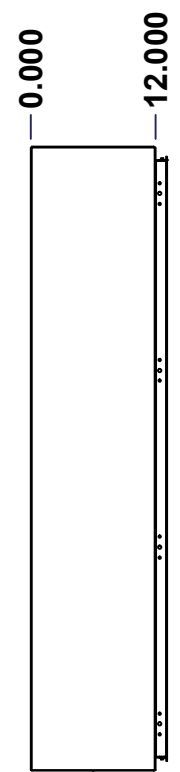
Ce dessin est confidentiel et ne doit pas être reproduit ou utilisé sans le consentement de EXM



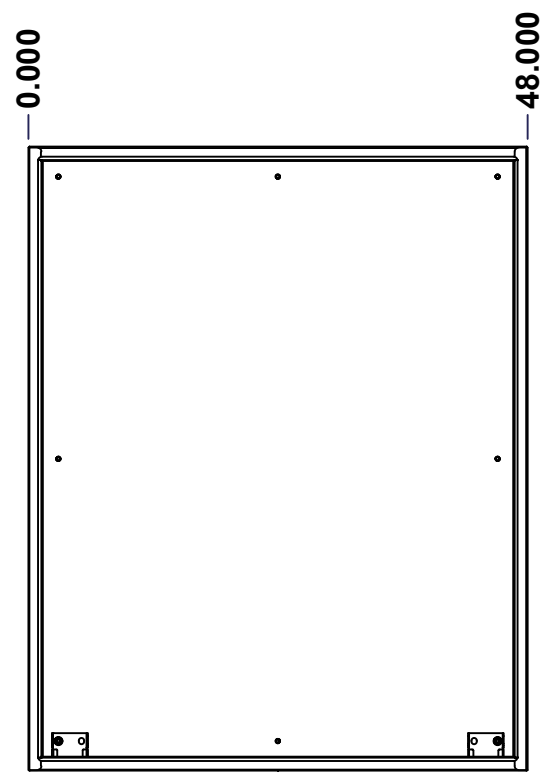
TOP



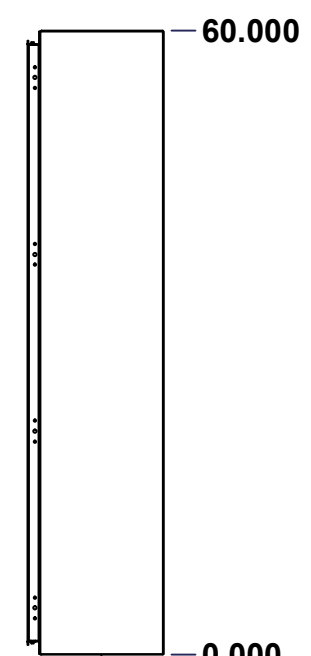
BACK



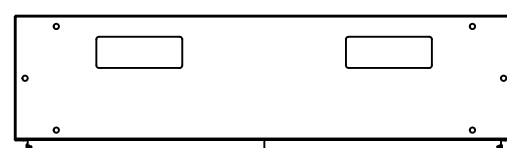
LEFT



FRONT

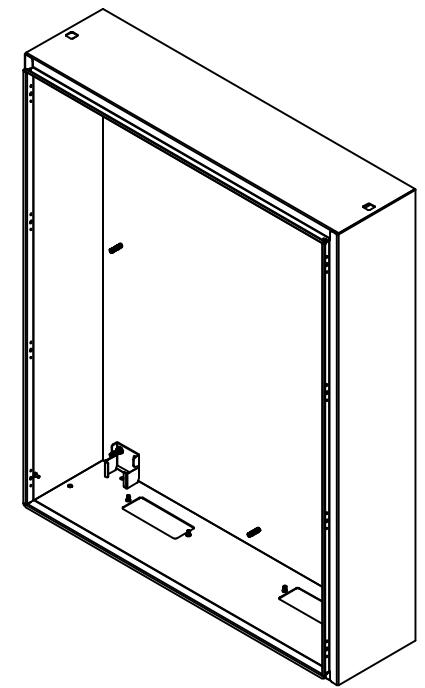


RIGHT



BOTTOM

| No. | Revisions | Date | By/Par |
|-----|-----------|------|--------|
|     |           |      |        |
|     |           |      |        |
|     |           |      |        |
|     |           |      |        |



Isometric View



Tél: (450) 979-4373  
 Fax: (450) 979-4626  
[www.exmweb.com](http://www.exmweb.com)

Flatness  
 Aplatissement  
 Max 3.0mm  
 Projection

Customer Client  
 Drawn By Dessiné Par BoxCad: BoxCad  
 Date 09-Sep-14

Material Matière 12 Ga Cold Rolled A1008 CS Type B (2.5mm)

Color Couleur Asa-61 Grey  
 Finish Fini Smooth

Description 5500DDS 60" x 48" x 12" Body  
 Detail Rev.

Part Number Numéro Pièce 5500DDS604812B  
 Rev. 0  
 3  
 17

SEE BILL OF MATERIAL ON LAST PAGE

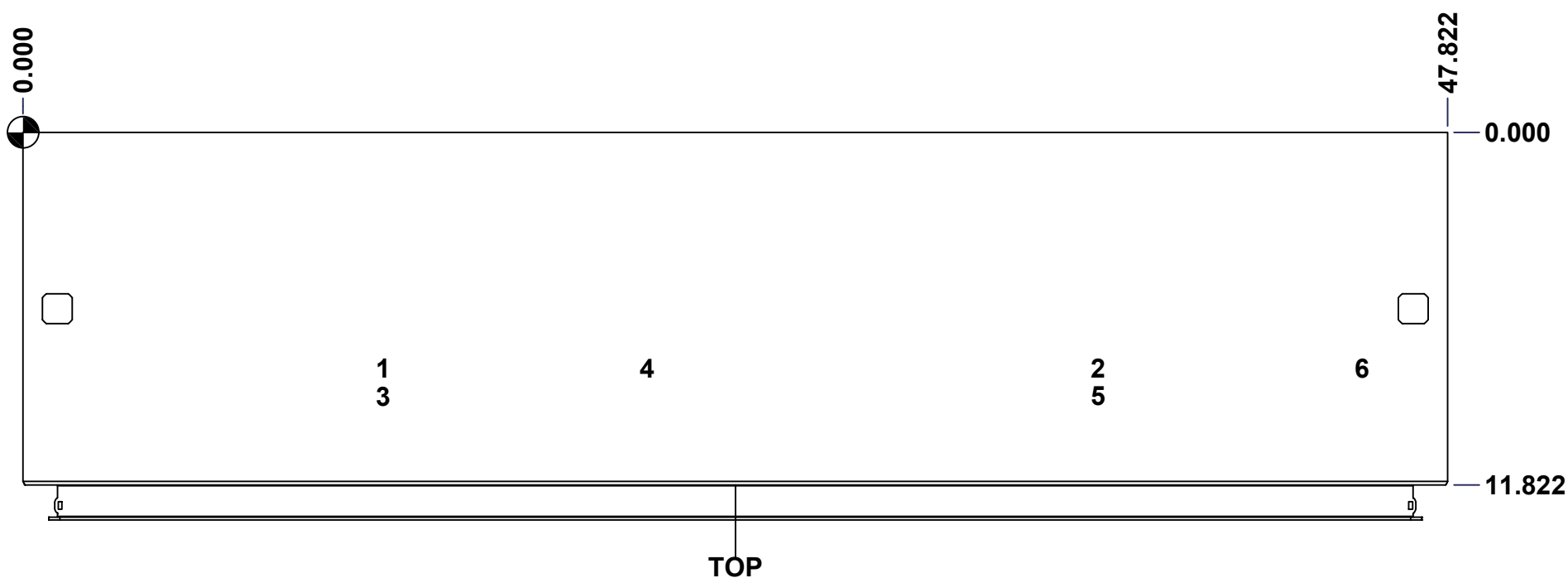
This drawing is confidential and must not be reproduced or used without the consent of EXM

Ce dessin est confidentiel et ne doit pas être reproduit ou utilisé sans le consentement de EXM

**STANDARD FEATURES ARE NOT LISTED IN THIS HOLE TABLE**

**HOLE TABLE - TOP VIEW (CUSTOM FEATURE ONLY)**

| CUT-OUT | XDIM   | YDIM  | DESCRIPTION                   |
|---------|--------|-------|-------------------------------|
| 1       | 11.911 | 7.911 | Struts CR400 17.500" (Inside) |
| 2       | 35.911 | 7.911 | Struts CR400 17.500" (Inside) |
| 3       | 11.911 | 8.840 | STUDS M6 x 10mm (Inside)      |
| 4       | 20.777 | 7.911 | STUDS M6 x 10mm (Inside)      |
| 5       | 35.911 | 8.840 | STUDS M6 x 10mm (Inside)      |
| 6       | 44.777 | 7.911 | STUDS M6 x 10mm (Inside)      |

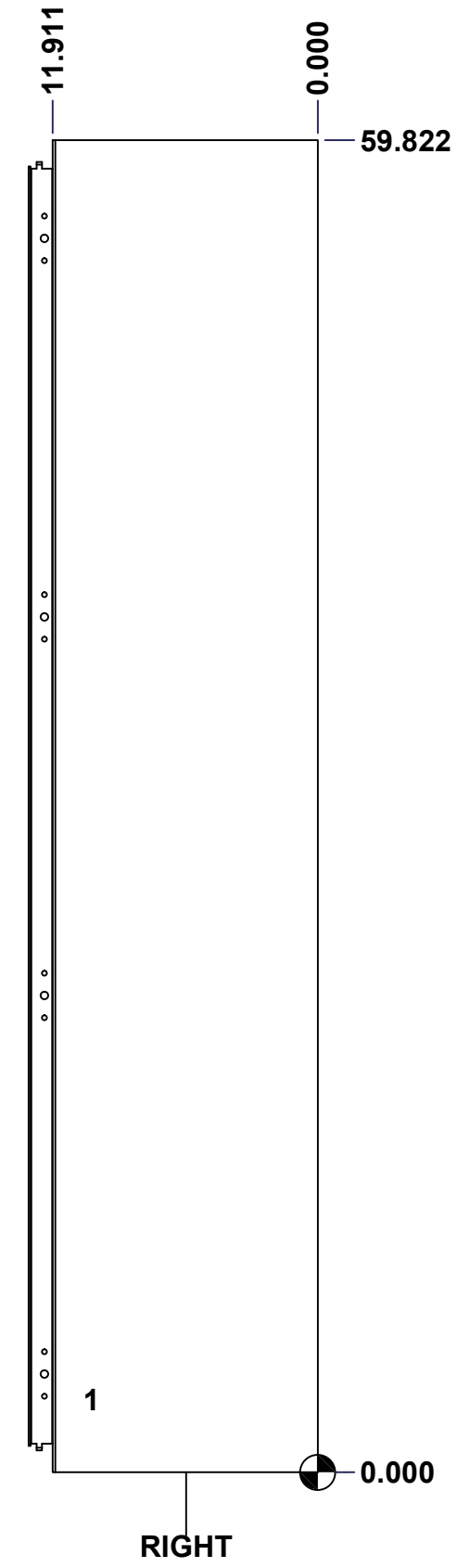


|                             |                              |        |
|-----------------------------|------------------------------|--------|
|                             | Description                  | Status |
|                             | 5500DDS 60" x 48" x 12" Body | (NULL) |
| Part Number<br>Numéro Pièce | Rev.                         | 4      |
| <b>5500DDS604812B</b>       | <b>0</b>                     | 17     |

This drawing is confidential and must not be reproduced or used without the consent of EXM

Ce dessin est confidentiel et ne doit pas être reproduit ou utilisé sans le consentement de EXM

| STANDARD FEATURES ARE NOT LISTED IN THIS HOLE TABLE |        |       |                             |
|---|--------|-------|-----------------------------|
| HOLE TABLE - RIGHT VIEW (CUSTOM FEATURE ONLY)       |        |       |                             |
| CUT-OUT   | XDIM   | YDIM  | DESCRIPTION                 |
| 1   | 10.411 | 3.286 | GND STUD M6 x 16mm (Inside) |

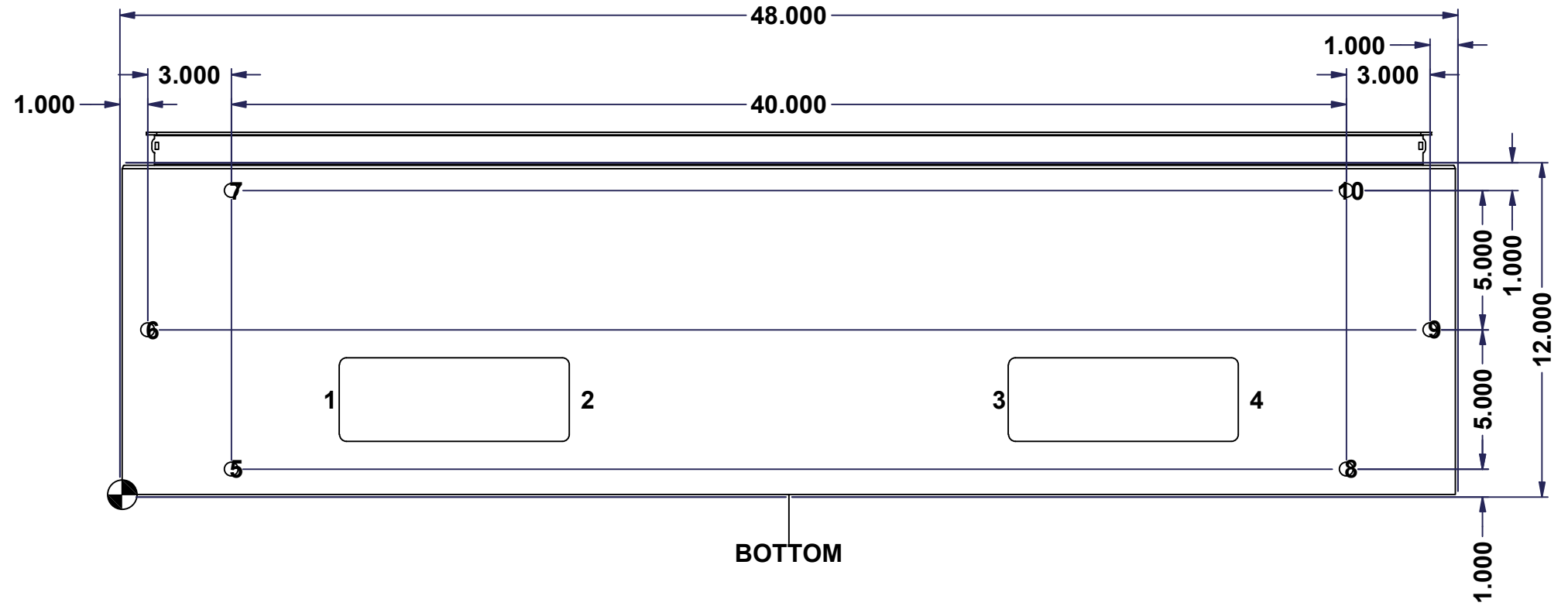


|  |                              |          |
|--|------------------------------|----------|
|  | Description                  | Status   |
|  | 5500DDS 60" x 48" x 12" Body | (NULL)   |
|  | Part Number<br>Numéro Pièce  | Rev.     |
|  | <b>5500DDS604812B</b>        | <b>0</b> |
|  |                              | 5        |
|  |                              | 17       |

This drawing is confidential and must not be reproduced or used without the consent of EXM

Ce dessin est confidentiel et ne doit pas être reproduit ou utilisé sans le consentement de EXM

| STANDARD FEATURES ARE NOT LISTED IN THIS HOLE TABLE |        |        |                            |
|---|--------|--------|----------------------------|
| HOLE TABLE - BOTTOM VIEW (CUSTOM FEATURE ONLY)      |        |        |                            |
| CUT-OUT   | XDIM   | YDIM   | DESCRIPTION                |
| 1   | 7.286  | 3.411  | GP STUD M6 x 16mm (Inside) |
| 2   | 16.536 | 3.411  | GP STUD M6 x 16mm (Inside) |
| 3   | 31.286 | 3.411  | GP STUD M6 x 16mm (Inside) |
| 4   | 40.536 | 3.411  | GP STUD M6 x 16mm (Inside) |
| -----   |        |        |                            |
| 5   | 3.911  | 0.911  | RND Ø0.500                 |
| 6   | 0.911  | 5.911  | RND Ø0.500                 |
| 7   | 3.911  | 10.911 | RND Ø0.500                 |
| 8   | 43.911 | 0.911  | RND Ø0.500                 |
| 9   | 46.911 | 5.911  | RND Ø0.500                 |
| 10  | 43.911 | 10.911 | RND Ø0.500                 |

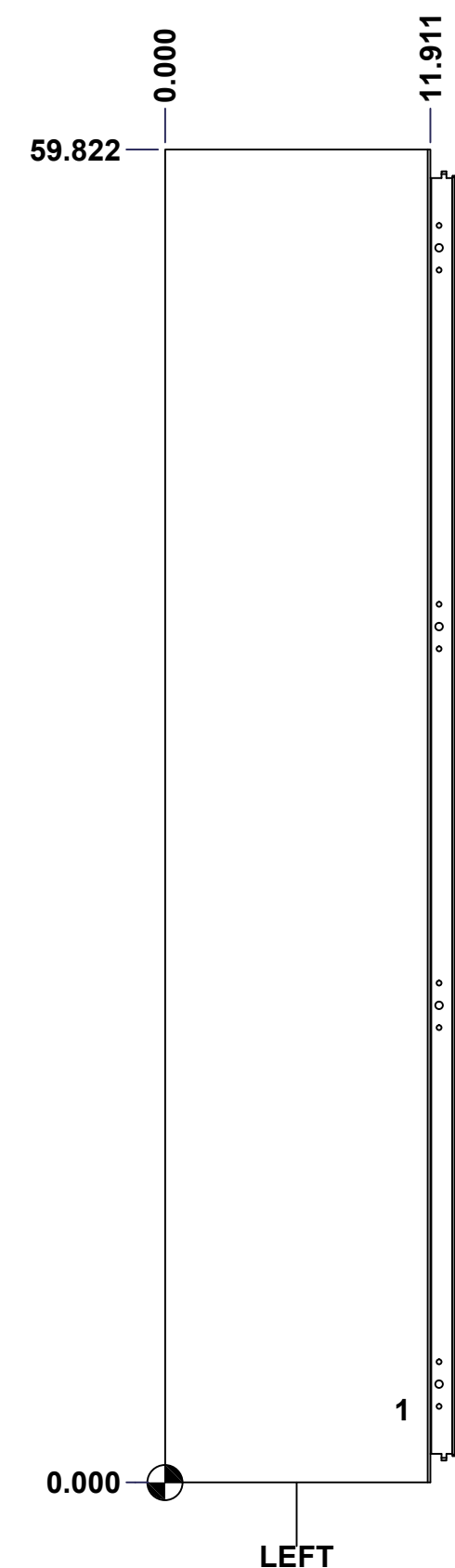


|  |                              |          |
|--|------------------------------|----------|
|  | Description                  | Status   |
|  | 5500DDS 60" x 48" x 12" Body | (NULL)   |
|  | Part Number<br>Numéro Pièce  | Rev.     |
|  | <b>5500DDS604812B</b>        | <b>0</b> |
|  |                              | 6        |
|  |                              | 17       |

This drawing is confidential and must not be reproduced or used without the consent of EXM

Ce dessin est confidentiel et ne doit pas être reproduit ou utilisé sans le consentement de EXM

| STANDARD FEATURES ARE NOT LISTED IN THIS HOLE TABLE |        |       |                             |
|---|--------|-------|-----------------------------|
| HOLE TABLE - LEFT VIEW (CUSTOM FEATURE ONLY)        |        |       |                             |
| CUT-OUT   | XDIM   | YDIM  | DESCRIPTION                 |
| 1   | 10.411 | 3.286 | GND STUD M6 x 16mm (Inside) |



|  |                              |              |
|--|------------------------------|--------------|
|  | Description                  | Status       |
|  | 5500DDS 60" x 48" x 12" Body | (NULL)       |
|  | Part Number<br>Numéro Pièce  | Rev.         |
|  | <b>5500DDS604812B</b>        | <b>0</b> / 7 |
|  |                              | 17           |

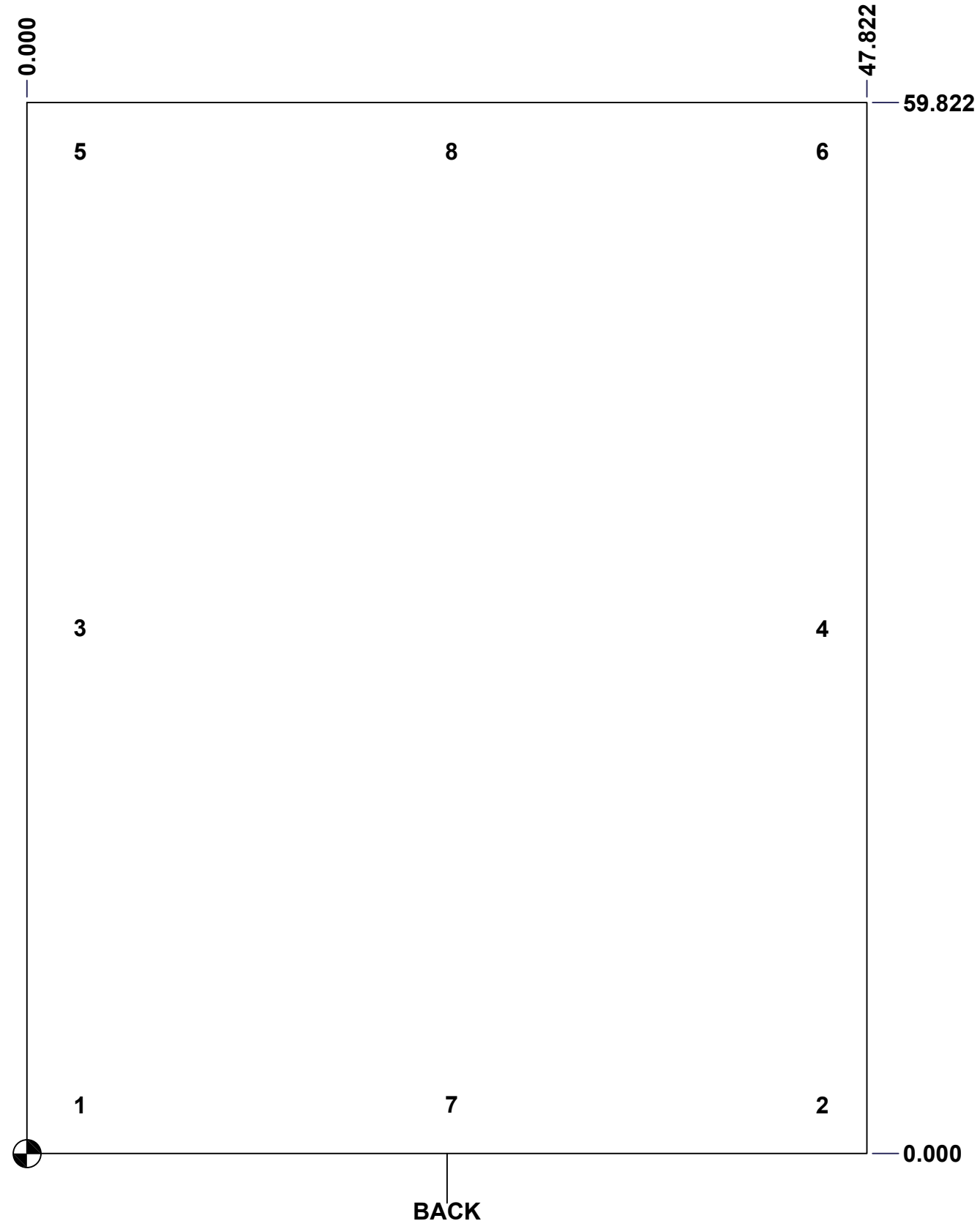
This drawing is confidential and must not be reproduced or used without the consent of EXM

Ce dessin est confidentiel et ne doit pas être reproduit ou utilisé sans le consentement de EXM

**STANDARD FEATURES ARE NOT LISTED IN THIS HOLE TABLE**

**HOLE TABLE - BACK VIEW (CUSTOM FEATURE ONLY)**

| CUT-OUT | XDIM   | YDIM   | DESCRIPTION                 |
|---------|--------|--------|-----------------------------|
| 1       | 2.786  | 2.786  | IP STUD M10 x 40mm (Inside) |
| 2       | 45.036 | 2.786  | IP STUD M10 x 40mm (Inside) |
| 3       | 2.786  | 29.911 | IP STUD M10 x 40mm (Inside) |
| 4       | 45.036 | 29.911 | IP STUD M10 x 40mm (Inside) |
| 5       | 2.786  | 57.036 | IP STUD M10 x 40mm (Inside) |
| 6       | 45.036 | 57.036 | IP STUD M10 x 40mm (Inside) |
| 7       | 23.911 | 2.786  | IP STUD M10 x 40mm (Inside) |
| 8       | 23.911 | 57.036 | IP STUD M10 x 40mm (Inside) |



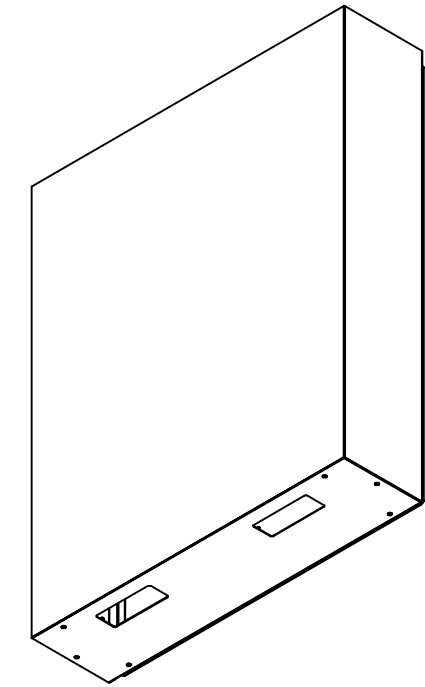
BACK

|  |                              |        |
|--|------------------------------|--------|
|  | Description                  | Status |
|  | 5500DDS 60" x 48" x 12" Body | (NULL) |
| Part Number<br>Numéro Pièce<br><b>5500DDS604812B</b> | Rev.                         | 8      |
|  | <b>0</b>                     | 17     |

This drawing is confidential and must not be reproduced or used without the consent of EXM

Ce dessin est confidentiel et ne doit pas être reproduit ou utilisé sans le consentement de EXM

| No. | Revisions | Date | By/Par |
|-----|-----------|------|--------|
|     |           |      |        |
|     |           |      |        |
|     |           |      |        |
|     |           |      |        |
|     |           |      |        |


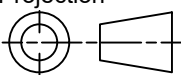


Isometric View



|   |                             |   |  |
|---|-----------------------------|---|--|
| 4 | STK-Q-16030                 | 0 | Stud M6 x 10mm Steel                     |
| 2 | STK-Q-74900                 | 0 | Eyebolt Lifting Angle (8.750")           |
| 1 | STK-P-02400S                | 0 | Powder Paint (Asa-61 Grey / Smooth)      |
| 2 | STK-Q-07320                 | 0 | Flange Lock Nut M10                      |
| 2 | STK-Q-07618                 | 1 | 5500 Series Inner Panel Support Bracket  |
| 8 | STK-Q-16100                 | 0 | Stud M10 x 40mm Steel                    |
| 1 | 5500DDS604812BT-P           | 0 | 5500DDS 48" x 12" Bottom Part            |
| 1 | 5500DDS604812T-P            | 0 | 5500DDS 48" x 12" Top Part               |
| 1 | 5500DDS604812RS-P           | 0 | 5500DDS 60" x 48" Right Part             |
| 1 | 5500DDS604812LS-P           | 0 | 5500DDS 60" x 48" Left Part              |
| 1 | 5500DDS604812B-P            | 0 | 5500DDS 60" x 48" Back Part              |
| 2 | 5500DDS604812_CR400 MS_17.5 | 0 | Commercial Roll Mild Steel (17.5in long) |
| 6 | STK-Q-16080                 | 0 | Ground Stud M6 x 16mm Steel              |

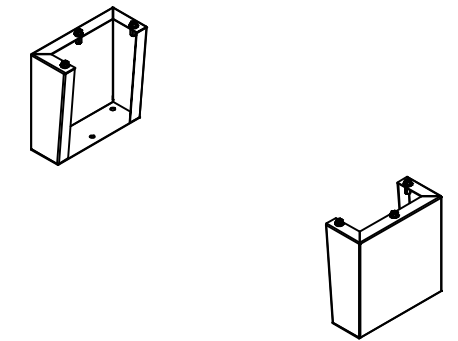
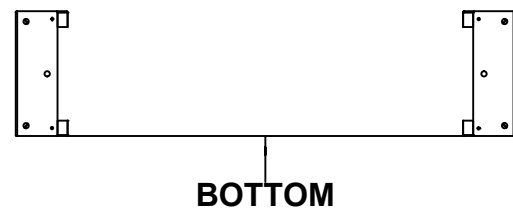
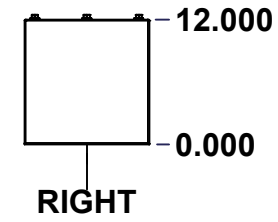
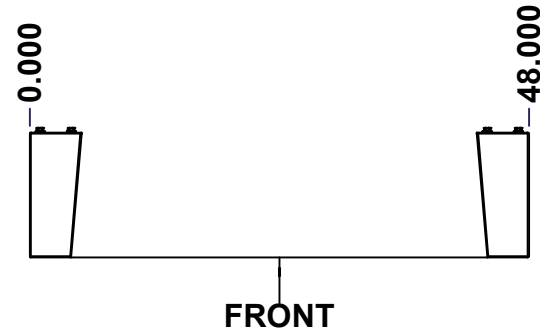
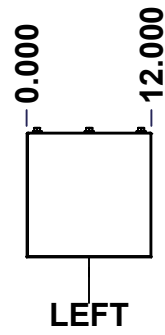
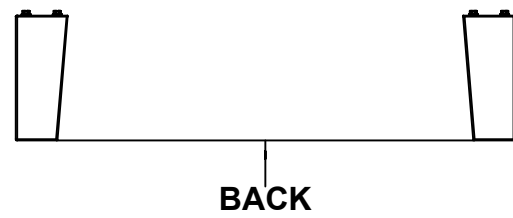
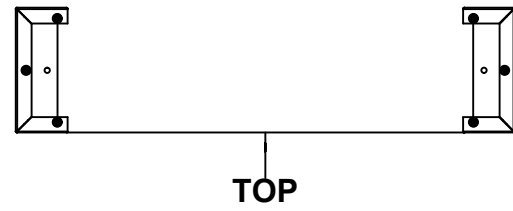
| Qty        | Part Number | Rev | Description |
|------------|-------------|-----|-------------|
| Parts List |             |     |             |


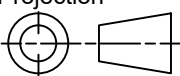
|  |   |   |
|--|---|---|
|  Tél: (450) 979-4373<br>Fax: (450) 979-4626<br><a href="http://www.exmweb.com">www.exmweb.com</a> | Flatness<br>Aplatissement                 | Max 3.0mm   |
|  | Projection                                |  |
| Customer<br>Client   | Date                                      |   |
| Drawn By<br>Dessiné Par  | BoxCad: BoxCad                            | Date 09-Sep-14  |
| Material<br>Matière  | 12 Ga Cold Rolled A1008 CS Type B (2.5mm) |   |
| Color<br>Couleur   | Asa-61 Grey                               | Finish<br>Fini Smooth   |
| Description  | Detail Rev.                               |   |
| 5500DDS 60" x 48" x 12" Body   |   |   |
| Part Number<br>Numéro Pièce  | Rev.                                      | 9   |
| <b>5500DDS604812B</b>  | <b>0</b>                                  | 17  |

This drawing is confidential and must not be reproduced or used without the consent of EXM

Ce dessin est confidentiel et ne doit pas être reproduit ou utilisé sans le consentement de EXM

| No. | Revisions | Date | By/Par |
|-----|-----------|------|--------|
|     |           |      |        |
|     |           |      |        |
|     |           |      |        |
|     |           |      |        |
|     |           |      |        |



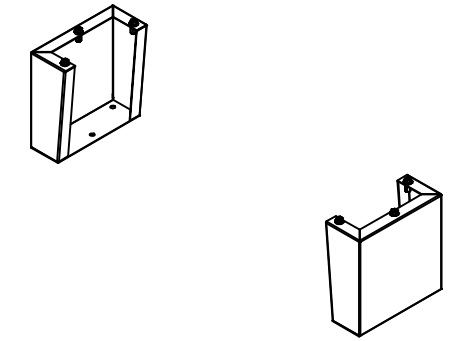
|  |   |                           |
|--|---|---------------------------|
|  Tél: (450) 979-4373<br>Fax: (450) 979-4626<br><a href="http://www.exmweb.com">www.exmweb.com</a> |   | Flatness<br>Aplatissement |
|  |   | Max 3.0mm                 |
| Projection<br>  |   | Date                      |
| Customer<br>Client   | BoxCad: BoxCad                            | Date 09-Sep-14            |
| Material<br>Matière  | 12 Ga Cold Rolled A1008 CS Type B (2.5mm) |                           |
| Color<br>Couleur   | Asa-61 Grey                               | Finish<br>Fini Smooth     |
| Description  |   | Detail Rev.               |
| 885 MFHD 12" x 12" Mounting Feet   |   |                           |
| Part Number<br>Numéro Pièce  | Rev. 10                                   | 17                        |
| SEE BILL OF MATERIAL ON LAST PAGE  |   | <b>0</b>                  |

**5500DDS604812MF**

This drawing is confidential and must not be reproduced or used without the consent of EXM


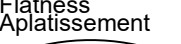
Ce dessin est confidentiel et ne doit pas être reproduit ou utilisé sans le consentement de EXM

| No. | Revisions | Date | By/Par |
|-----|-----------|------|--------|
|     |           |      |        |
|     |           |      |        |
|     |           |      |        |
|     |           |      |        |
|     |           |      |        |



Isometric View

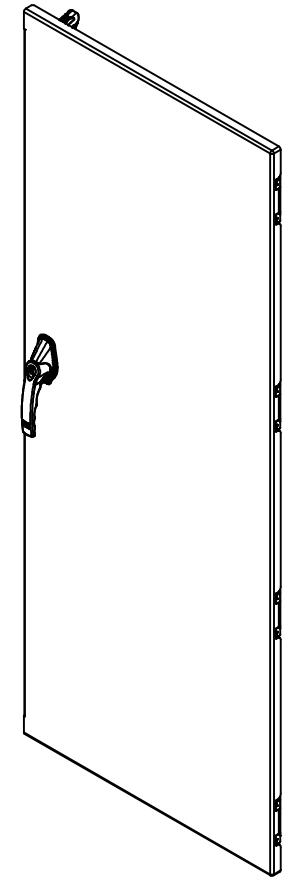
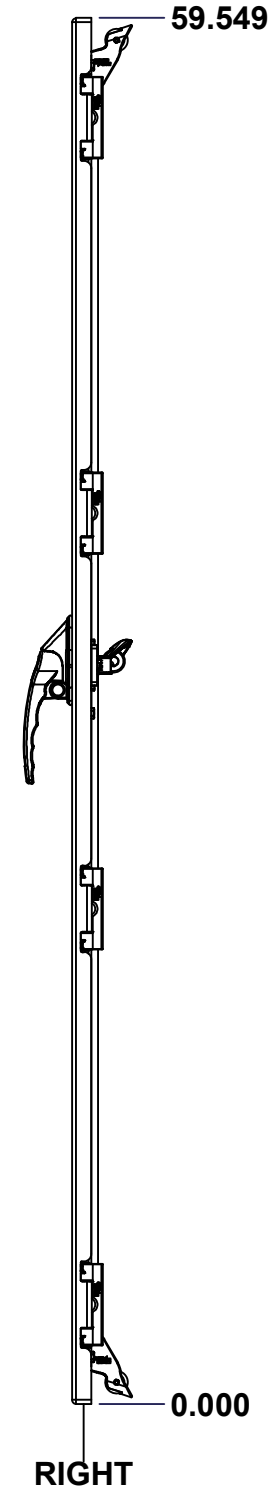
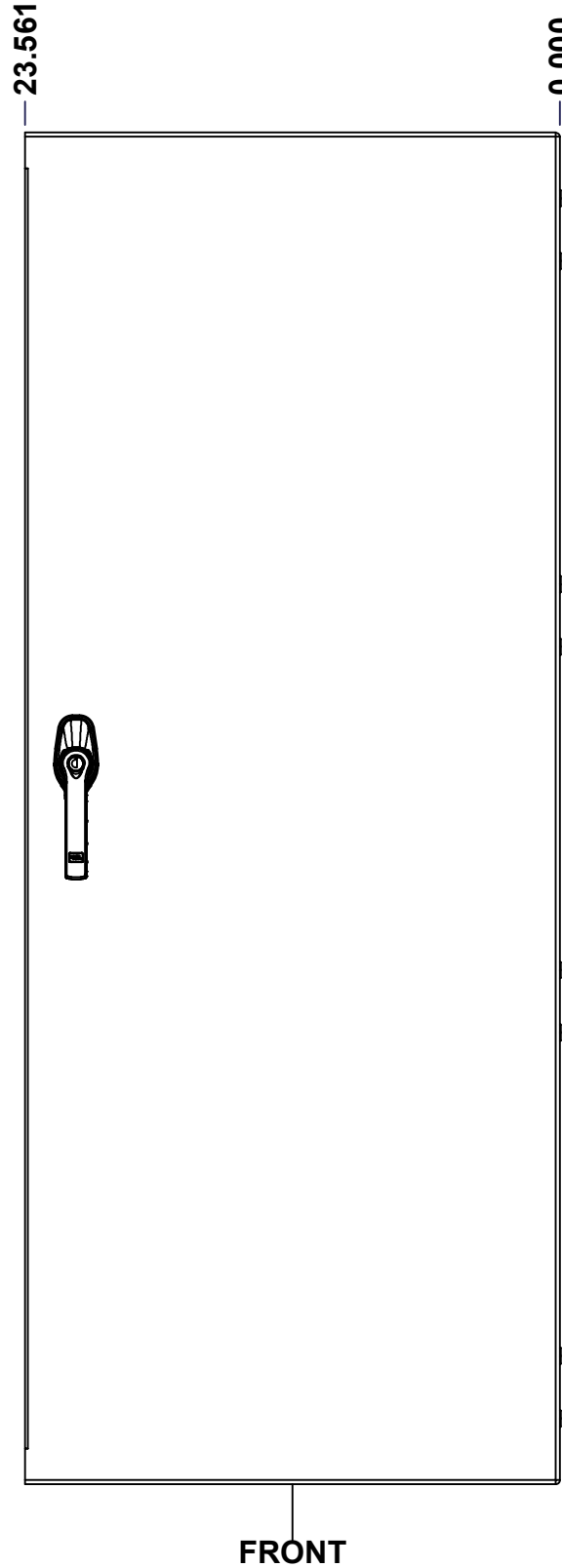
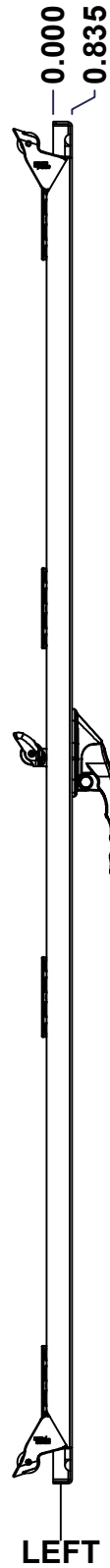
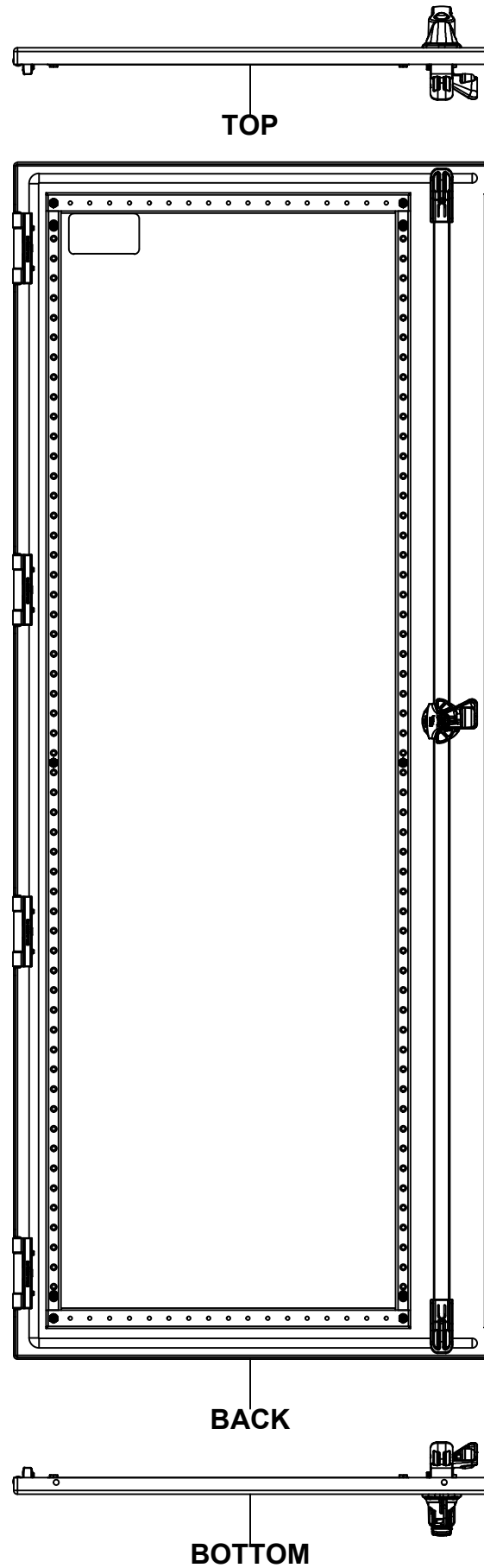


|  |                       |   |
|--|-----------------------|---|
|  Tél: (450) 979-4373<br>Fax: (450) 979-4626<br><a href="http://www.exmweb.com">www.exmweb.com</a> |                       | Flatness<br>Aplatissement<br><br>Max 3.0mm |
| Customer Client  |                       | Date  |
| Drawn By / Dessiné Par: BoxCad: BoxCad   |                       | Date: 09-Sep-14   |
| Material / Matière: 12 Ga Cold Rolled A1008 CS Type B (2.5mm)  |                       |   |
| Color / Couleur: Asa-61 Grey   | Finish / Fini: Smooth |   |
| Description: 885 MFHD 12" x 12" Mounting Feet  |                       | Detail Rev.   |
| Part Number / Numéro Pièce: <b>5500DDS604812MF</b>   |                       | Rev. 0 / 11<br>17   |

| Qty        | Part Name           | Rev | Description                                 |
|------------|---------------------|-----|---|
| 1          | STK-P-02400S        | 0   | Powder Paint (Asa-61 Grey / Smooth)         |
| 6          | RIVET_NUT_M10_FH_CE | 0   | Rivet Nut M10 (Low Profile Close End)       |
| 1          | 5500DDS604812MFR-P  | 0   | 885 MFHD 12" x 12" Right Mounting Feet Part |
| 1          | 5500DDS604812MFL-P  | 0   | 885 MFHD 12" x 12" Left Mounting Feet Part  |
| 3          | STK-K-11600         | 2   | 885 MF Accessory Kit                        |
| Parts List |                     |     |   |

This drawing is confidential and must not be reproduced or used without the consent of EXM


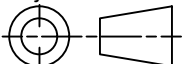
Ce dessin est confidentiel et ne doit pas être reproduit ou utilisé sans le consentement de EXM



Isometric View



| No. | Revisions | Date | By/Par |
|-----|-----------|------|--------|
|     |           |      |        |
|     |           |      |        |
|     |           |      |        |
|     |           |      |        |

|  |   |   |
|--|---|---|
|  Tél: (450) 979-4373<br>Fax: (450) 979-4626<br><a href="http://www.exmweb.com">www.exmweb.com</a> |   | Flatness<br>Aplatissement<br>Max 3.0mm<br>Projection<br> |
| Customer Client  | Date                                      |   |
| Drawn By<br>Dessiné Par  | BoxCad: BoxCad                            | Date 09-Sep-14  |
| Material<br>Matière  | 12 Ga Cold Rolled A1008 CS Type B (2.5mm) |   |
| Color<br>Couleur   | Asa-61 Grey                               | Finish<br>Fini Smooth   |
| Description<br>5500DDS 60" x 48" Cover   |   | Detail Rev.   |
| Part Number<br>Numéro Pièce  | Rev. 0                                    | 12 / 17   |

SEE BILL OF MATERIAL ON LAST PAGE

**5500DDS604812LD**

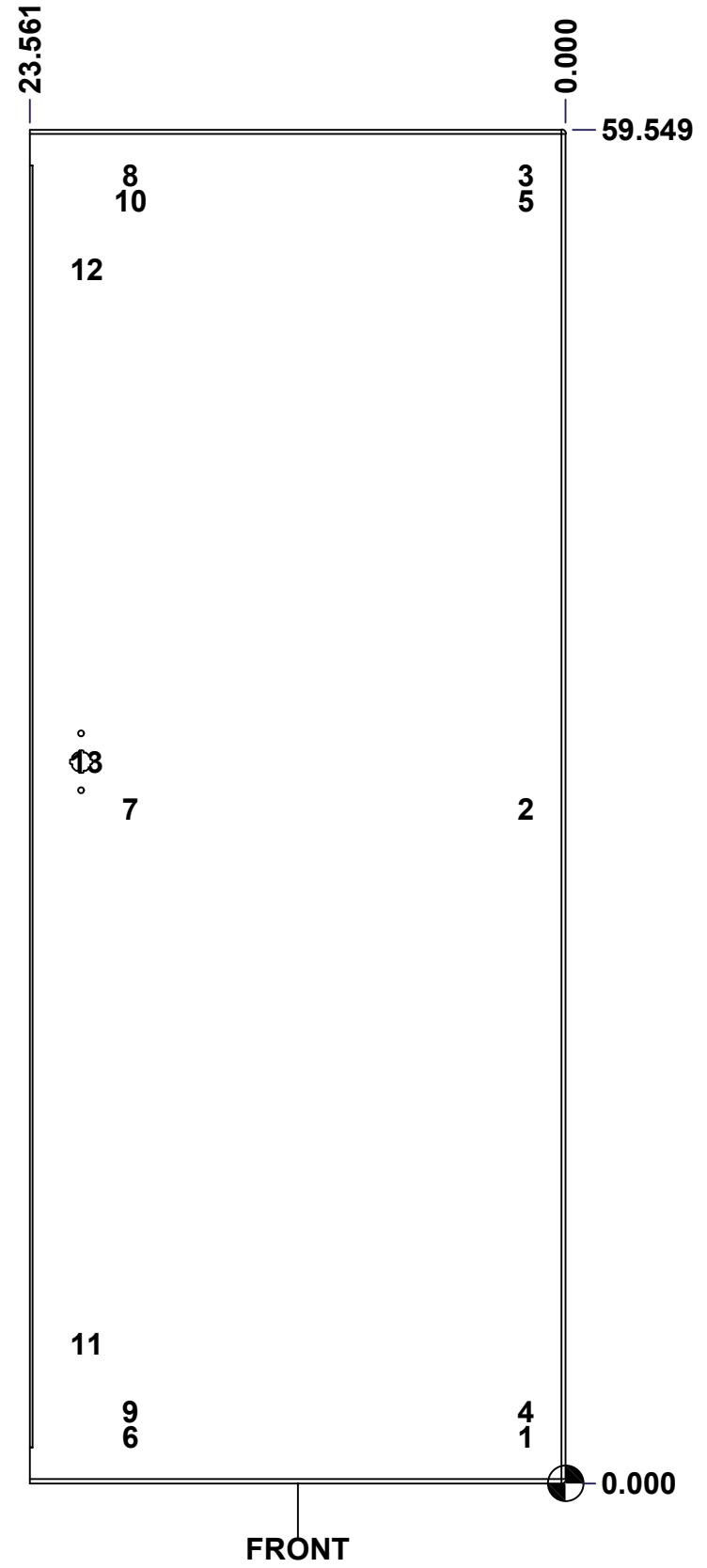
This drawing is confidential and must not be reproduced or used without the consent of EXM

Ce dessin est confidentiel et ne doit pas être reproduit ou utilisé sans le consentement de EXM

**STANDARD FEATURES ARE NOT LISTED IN THIS HOLE TABLE**

**HOLE TABLE - FRONT VIEW (CUSTOM FEATURE ONLY)**

| CUT-OUT | XDIM   | YDIM   | DESCRIPTION                  |
|---------|--------|--------|------------------------------|
| 1       | 1.983  | 2.028  | STUD M6 x 18mm (Inside)      |
| 2       | 1.983  | 29.675 | STUD M6 x 18mm (Inside)      |
| 3       | 1.983  | 57.521 | STUD M6 x 18mm (Inside)      |
| 4       | 1.983  | 3.139  | STUD M6 x 18mm (Inside)      |
| 5       | 1.983  | 56.409 | STUD M6 x 18mm (Inside)      |
| 6       | 19.390 | 2.028  | STUD M6 x 18mm (Inside)      |
| 7       | 19.390 | 29.675 | STUD M6 x 18mm (Inside)      |
| 8       | 19.390 | 57.521 | STUD M6 x 18mm (Inside)      |
| 9       | 19.390 | 3.139  | STUD M6 x 18mm (Inside)      |
| 10      | 19.390 | 56.409 | STUD M6 x 18mm (Inside)      |
| 11      | 21.311 | 6.118  | LARGE CBAR GUIDE (Inside)    |
| 12      | 21.311 | 53.430 | LARGE CBAR GUIDE (Inside)    |
| -----   | -----  | -----  | -----                        |
| 13      | 21.311 | 31.743 | HANDLE 885 ESL2A-APHK @ 0.0° |



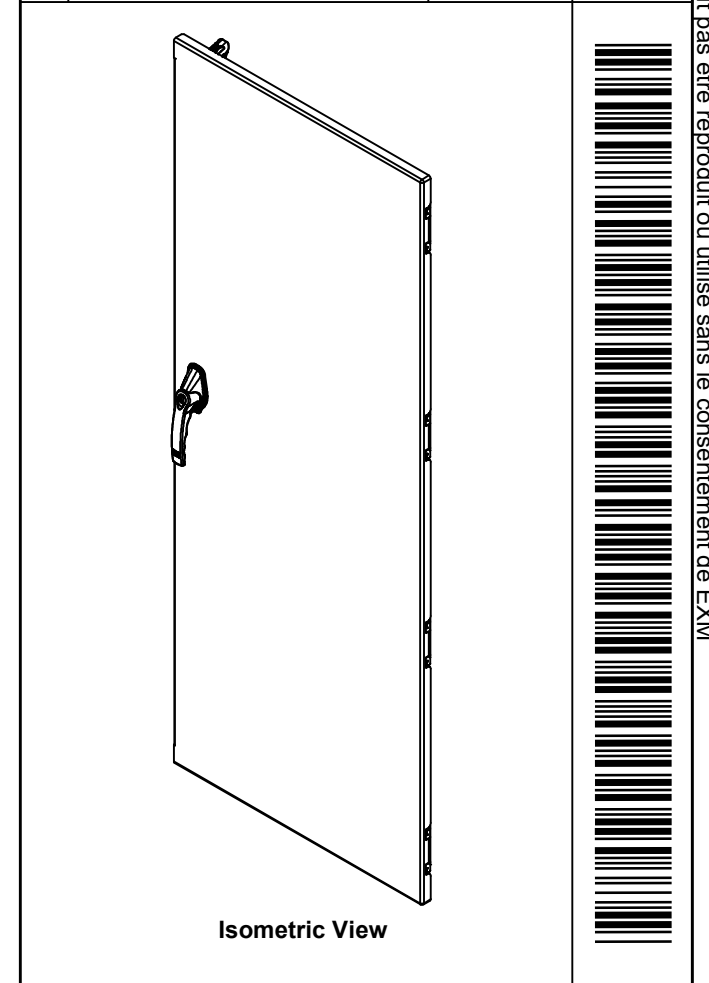
FRONT

|  |                             |          |
|--|-----------------------------|----------|
|  | Description                 | Status   |
|  | 5500DDS 60" x 48" Cover     | (NULL)   |
|  | Part Number<br>Numéro Pièce | Rev.     |
|  | <b>5500DDS604812LD</b>      | <b>0</b> |
|  |                             | 13       |
|  |                             | 17       |

This drawing is confidential and must not be reproduced or used without the consent of EXM

Ce dessin est confidentiel et ne doit pas être reproduit ou utilisé sans le consentement de EXM

| No. | Revisions | Date | By/Par |
|-----|-----------|------|--------|
|     |           |      |        |
|     |           |      |        |
|     |           |      |        |
|     |           |      |        |
|     |           |      |        |



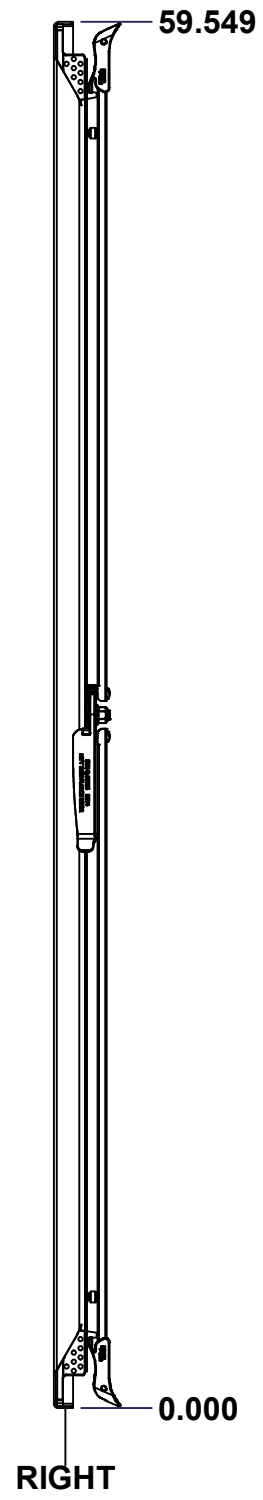
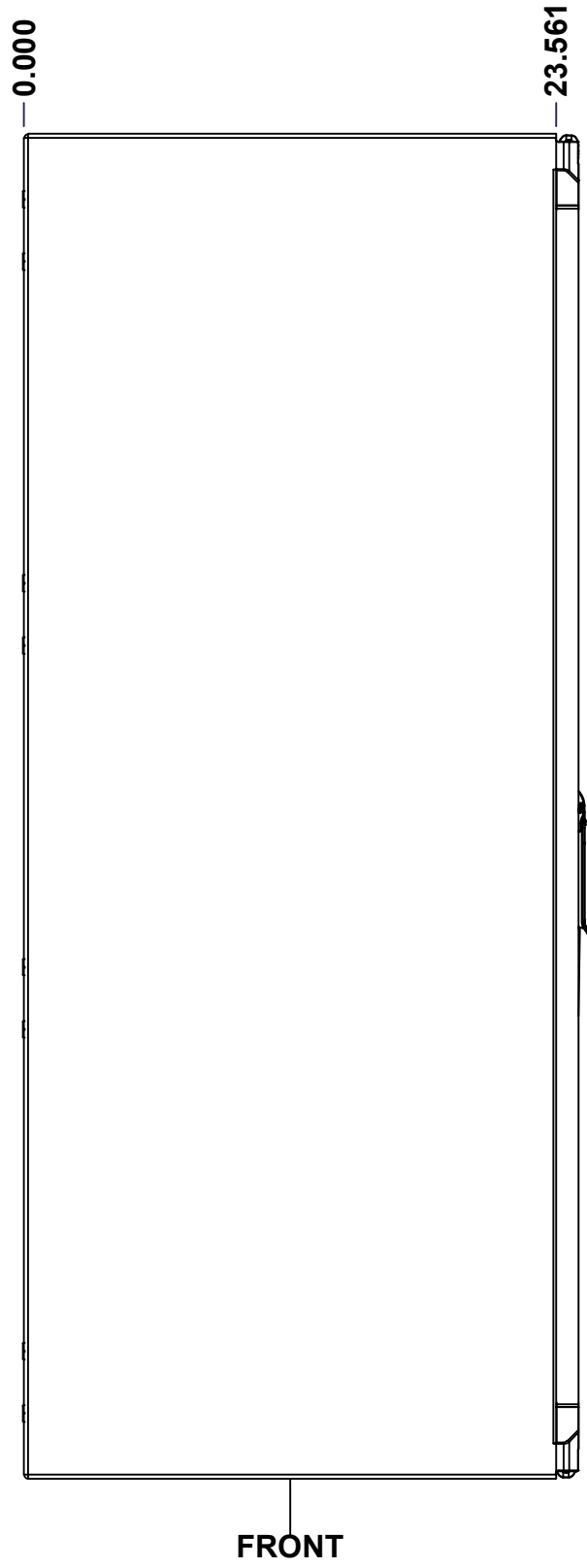
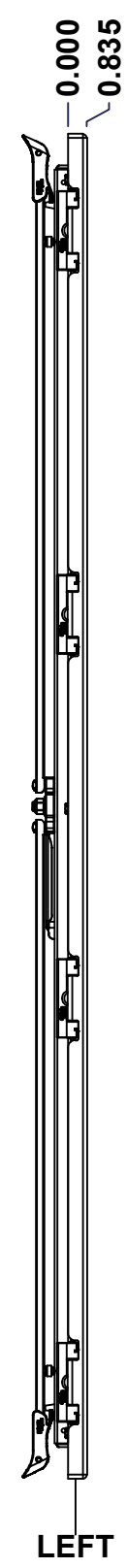
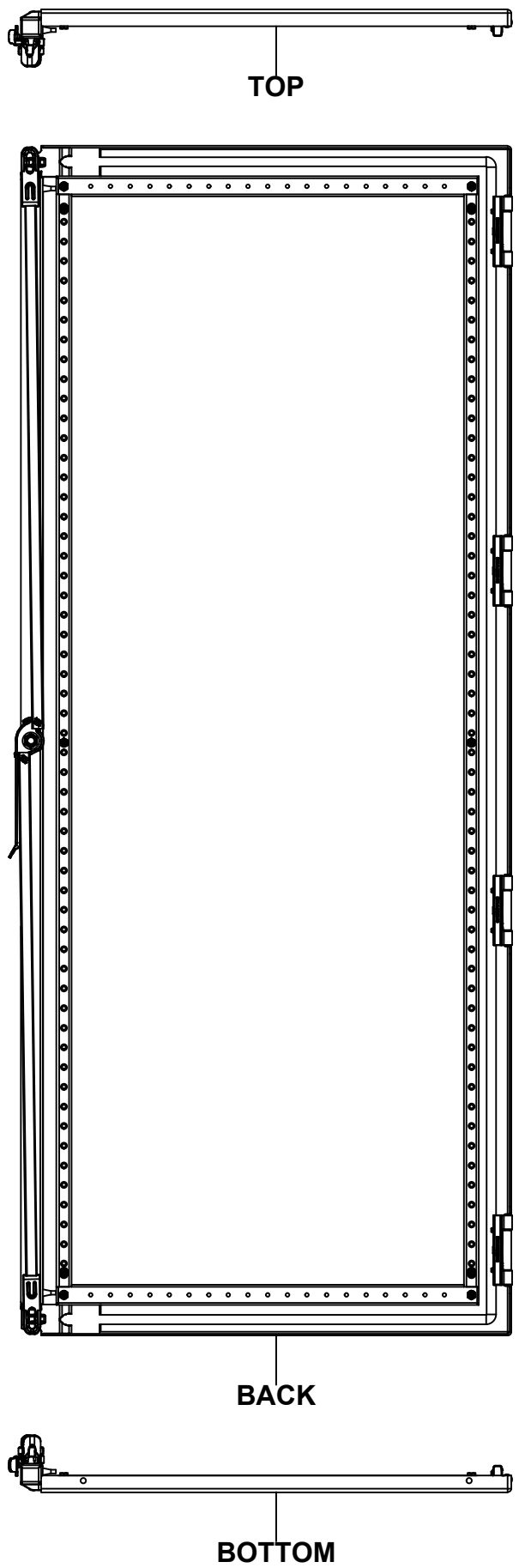
|    |                   |   |  |
|----|-------------------|---|--|
| 1  | STK-Q-47541       | 1 | 5500 DDS Lower Closing Bar 60"                           |
| 1  | STK-Q-47531       | 0 | 5500 DDS Upper Closing Bar 60"                           |
| 1  | STK-A-50537       | 3 | 9500 Handle Cam Assembly (Left Side, Grip 36mm)          |
| 1  | STK-Q-90051       | 3 | 5412 ES - Handle Cam Spacer                              |
| 1  | 885ESL2A-APHK     | 7 | 885 ESL2A-APHK - Zinc Die Cast L-Handle Padlockable Assy |
| 1  | STK-P-02400S      | 0 | Powder Paint (Asa-61 Grey / Smooth)                      |
| 1  | STK-S-00100       | 0 | 3.5" x 2" Silver Milar Flexcon Sticker                   |
| 1  | STK-K-10700       | 3 | 5500 DDS - Door Stiffener Assembly                       |
| 2  | STK-Q-16410       | 0 | Guide Stud - Largel (No Paint Cap Required)              |
| 10 | STK-Q-16055       | 1 | M6 x 18mm Stud (No Paint Cap Required)                   |
| 1  | 5500DDS604812LDG  | 0 | 5500DDS 60" x 48" Lock Door Gasket                       |
| 1  | 5500DDS604812LD-P | 0 | 5500DDS 60" x 48" Lock Door Part                         |
| 2  | STK-A-90025       | 0 | 9500 - Cabinet Closing Bar End (Large)                   |
| 4  | STK-K-09860       | 7 | Cabinet Hinge with Captive Pins                          |
| 2  | STK-Q-07220       | 1 | M6 Nylon Insert Lock Nut                                 |

| QTY        | Part Number | Rev | Description |
|------------|-------------|-----|-------------|
| Parts List |             |     |             |

|   |  |  |
|---|--|--|
|   | Tél: (450) 979-4373<br>Fax: (450) 979-4626<br><a href="http://www.exmweb.com">www.exmweb.com</a> | Flatness<br>Aplatissement<br>Max 3.0mm                           |
|   | Projection<br>   | Customer<br>Client   |
| Drawn By<br>Dessiné Par<br>BoxCad: BoxCad             | Date<br>09-Sep-14  | Material<br>Matière<br>12 Ga Cold Rolled A1008 CS Type B (2.5mm) |
| Color<br>Couleur<br>Asa-61 Grey                       | Finish<br>Fini<br>Smooth   | Description<br>5500DDS 60" x 48" Cover                           |
| Part Number<br>Numéro Pièce<br><b>5500DDS604812LD</b> | Rev.<br><b>0</b>   | Detail Rev.<br>14 / 17   |

This drawing is confidential and must not be reproduced or used without the consent of EXM

Ce dessin est confidentiel et ne doit pas être reproduit ou utilisé sans le consentement de EXM



| No. | Revisions | Date | By/Par |
|-----|-----------|------|--------|
|     |           |      |        |
|     |           |      |        |
|     |           |      |        |
|     |           |      |        |
|     |           |      |        |

**Isometric View**

|  |             |                           |
|--|-------------|---------------------------|
| Tél: (450) 979-4373<br>Fax: (450) 979-4626<br><a href="http://www.exmweb.com">www.exmweb.com</a> |             | Flatness<br>Aplatissement |
|  |             | Max 3.0mm                 |
| Customer<br>Client   |             | Date                      |
| Drawn By<br>Dessiné Par BoxCad: BoxCad   |             | Date 09-Sep-14            |
| Material<br>Matière 12 Ga Cold Rolled A1008 CS Type B (2.5mm)                                    |             |                           |
| Color<br>Couleur   | Asa-61 Grey | Finish<br>Fini Smooth     |
| Description<br>5500DDS 60" x 48" Cover   |             | Detail Rev.               |
| Part Number<br>Numéro Pièce <b>5500DDS604812FD</b>   |             | Rev. 15<br><b>0</b> 17    |

**SEE BILL OF MATERIAL ON LAST PAGE**

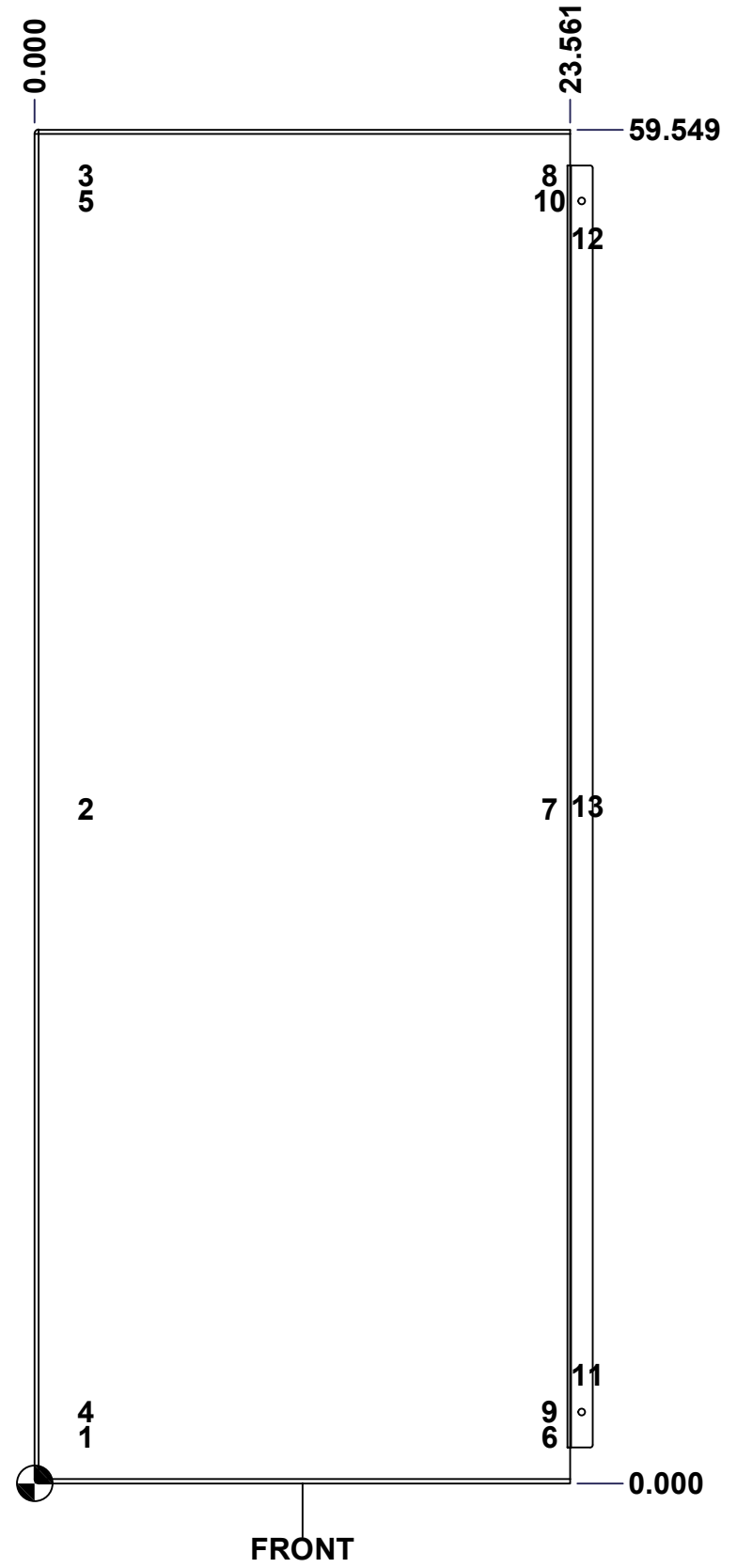
This drawing is confidential and must not be reproduced or used without the consent of EXM

Ce dessin est confidentiel et ne doit pas être reproduit ou utilisé sans le consentement de EXM

**STANDARD FEATURES ARE NOT LISTED IN THIS HOLE TABLE**

**HOLE TABLE - FRONT VIEW (CUSTOM FEATURE ONLY)**

| CUT-OUT | XDIM   | YDIM   | DESCRIPTION               |
|---------|--------|--------|---------------------------|
| 1       | 2.000  | 2.028  | STUD M6 x 18mm (Inside)   |
| 2       | 2.000  | 29.675 | STUD M6 x 18mm (Inside)   |
| 3       | 2.000  | 57.521 | STUD M6 x 18mm (Inside)   |
| 4       | 2.000  | 3.139  | STUD M6 x 18mm (Inside)   |
| 5       | 2.000  | 56.409 | STUD M6 x 18mm (Inside)   |
| 6       | 22.407 | 2.028  | STUD M6 x 18mm (Inside)   |
| 7       | 22.407 | 29.675 | STUD M6 x 18mm (Inside)   |
| 8       | 22.407 | 57.521 | STUD M6 x 18mm (Inside)   |
| 9       | 22.407 | 3.139  | STUD M6 x 18mm (Inside)   |
| 10      | 22.407 | 56.409 | STUD M6 x 18mm (Inside)   |
| 11      | 24.061 | 4.774  | SMALL CBAR GUIDE (Inside) |
| 12      | 24.061 | 54.774 | SMALL CBAR GUIDE (Inside) |
| 13      | 24.061 | 29.774 | STUD M10 x 25mm (Inside)  |

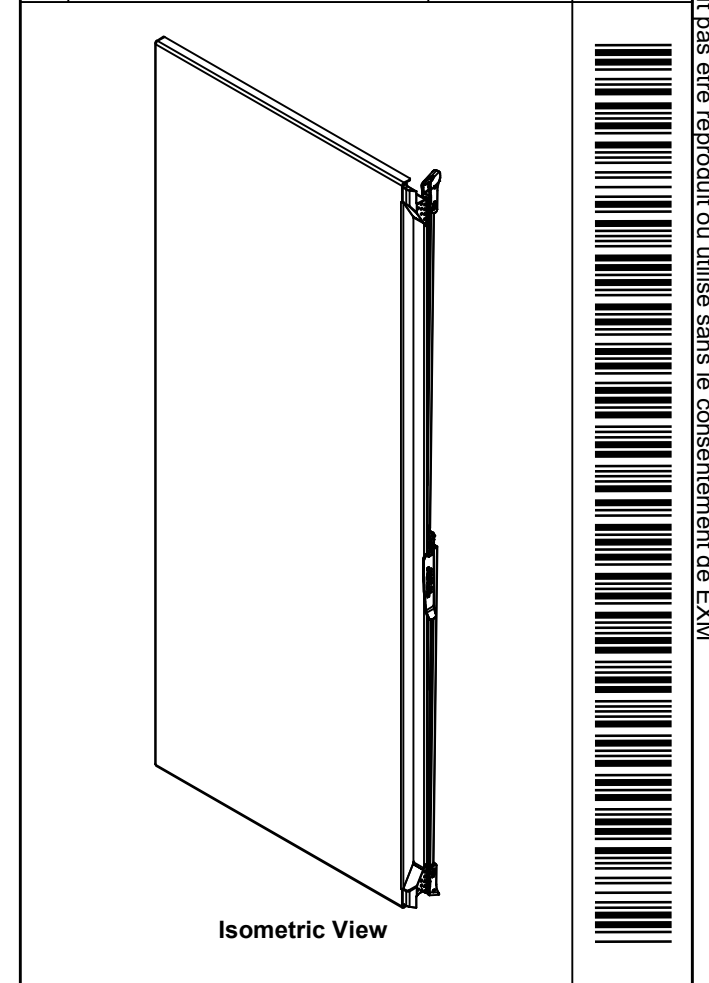


|   |                         |        |
|---|-------------------------|--------|
|   | Description             | Status |
|   | 5500DDS 60" x 48" Cover | (NULL) |
| Part Number<br>Numéro Pièce<br><b>5500DDS604812FD</b> | Rev.                    | 16     |
|   | <b>0</b>                | 17     |


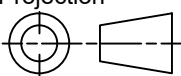
This drawing is confidential and must not be reproduced or used without the consent of EXM

Ce dessin est confidentiel et ne doit pas être reproduit ou utilisé sans le consentement de EXM

| No. | Revisions | Date | By/Par |
|-----|-----------|------|--------|
|     |           |      |        |
|     |           |      |        |
|     |           |      |        |
|     |           |      |        |
|     |           |      |        |



| 1          | STK-G-03400       | 1   | 5500 DD Lower Flange Door Gasket              |
|------------|-------------------|-----|---|
| 1          | STK-G-03300       | 2   | 5500 DD Upper Flange Door Gasket              |
| 2          | STK-Q-90045       | 1   | 5500 DDS Flange Door Closing Bar End Assembly |
| 2          | STK-Q-45670-60    | 2   | 5500 DDS - Flange Door Closing Bar            |
| 1          | STK-Q-07440       | 0   | M10 Nylon Insert Flanged Lock Nut             |
| 1          | STK-Q-50568       | 1   | Flange Door Handle Spacer                     |
| 1          | STK-A-50556       | 4   | Left Side Flange Door Handle Assembly         |
| 1          | STK-K-20700       | 4   | 5500 DDS - Flange Door Stiffener Assembly     |
| 1          | STK-Q-15005       | 0   | Stud M10 x 25mm                               |
| 2          | STK-Q-16405       | 7   | Guide Stud - Small (No Paint Cap Required)    |
| 10         | STK-Q-16055       | 1   | M6 x 18mm Stud (No Paint Cap Required)        |
| 1          | STK-G-00701       | 0   | 1" x 1/4" Self-Adhesive Neoprene Gasket       |
| 1          | 5500DDS604812FDG  | 0   | 5500DDS 60" x 48" Flange Door Gasket          |
| 1          | 5500DDS604812FD-P | 0   | 5500DDS 60" x 48" Flange Door Part            |
| 4          | STK-K-09860       | 7   | Cabinet Hinge with Captive Pins               |
| QTY        | Part Number       | Rev | Description                                   |
| Parts List |                   |     |   |

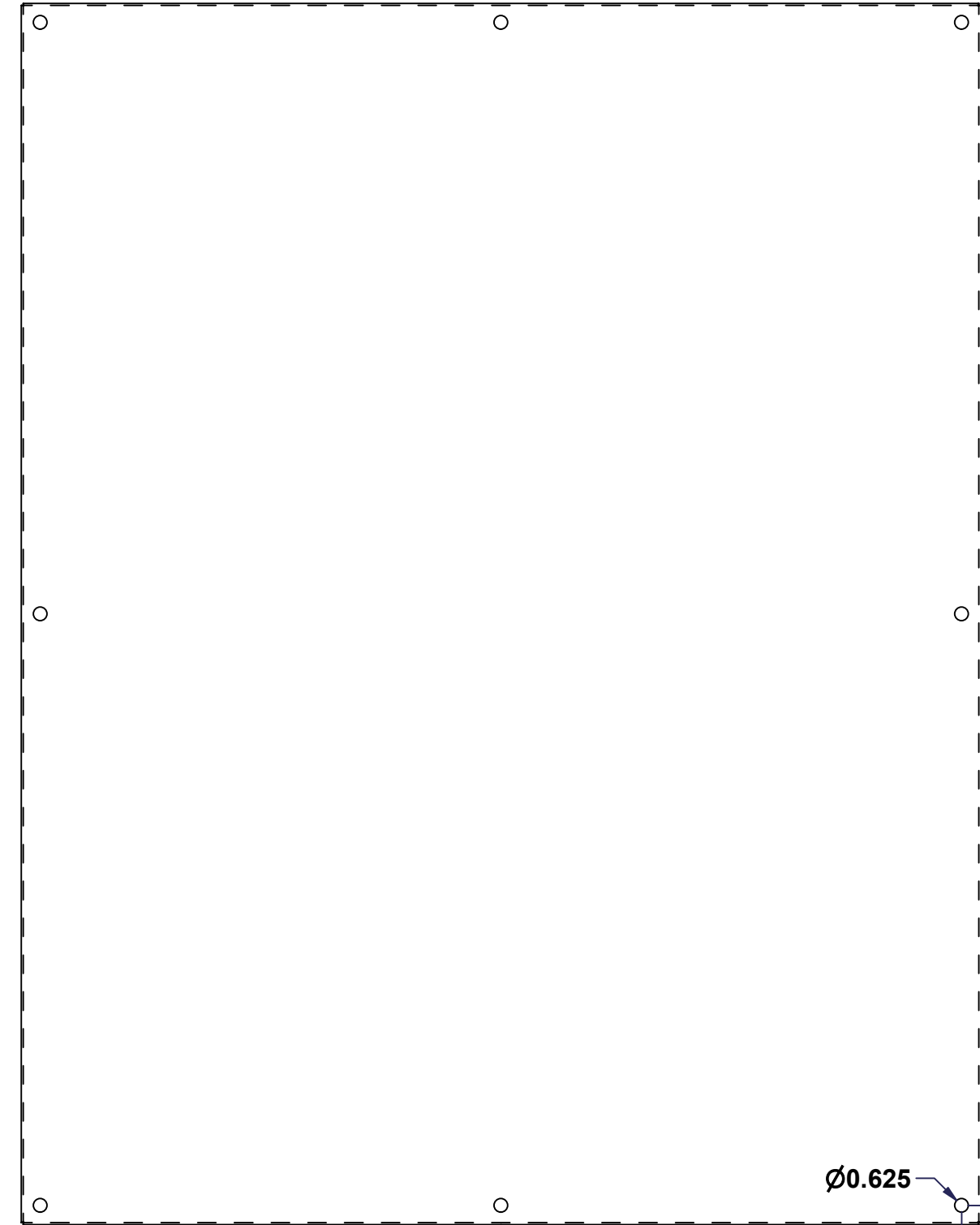
|  |   |
|--|---|
|  Tél: (450) 979-4373<br>Fax: (450) 979-4626<br><a href="http://www.exmweb.com">www.exmweb.com</a> | Flatness<br>Aplatissement   |
|  | Max 3.0mm   |
| Projection   |  |
| Customer<br>Client   | Date  |
| Drawn By<br>Dessiné Par  | Date 09-Sep-14  |
| Material<br>Matière  | 12 Ga Cold Rolled A1008 CS Type B (2.5mm)   |
| Color<br>Couleur   | Asa-61 Grey   |
| Finish<br>Fini   | Smooth  |
| Description  | Detail Rev.   |
| 5500DDS 60" x 48" Cover  |   |
| Part Number<br>Numéro Pièce  | Rev. 17   |
| <b>5500DDS604812FD</b>   | <b>0</b> 17   |

This drawing is confidential and must not be reproduced or used without the consent of EXM

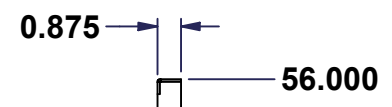
Ce dessin est confidentiel et ne doit pas être reproduit ou utilisé sans le consentement de EXM



TOP



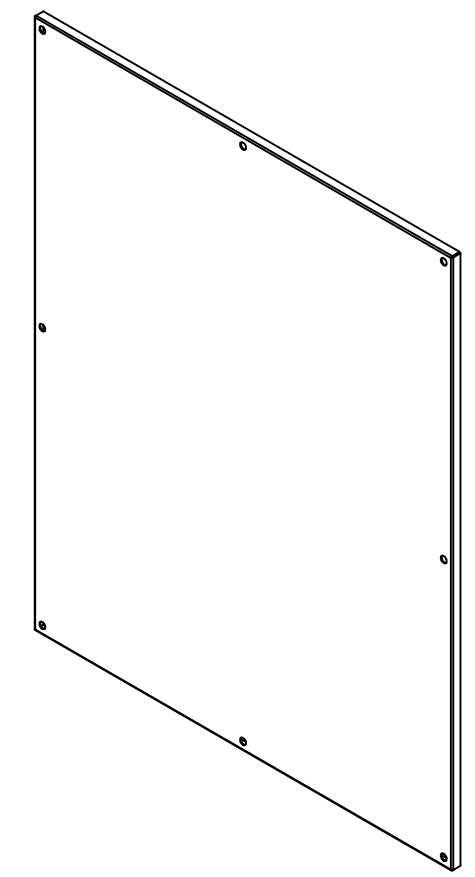
FRONT



RIGHT

SEE BILL OF MATERIAL ON LAST PAGE

| No. | Revisions | Date | By/Par |
|-----|-----------|------|--------|
|     |           |      |        |
|     |           |      |        |
|     |           |      |        |
|     |           |      |        |
|     |           |      |        |



Isometric View



Tél: (450) 979-4373  
 Fax: (450) 979-4626  
 www.exmweb.com

Flatness  
 Aplatissement  
 Max 3.0mm  
 Projection

|                                |                          |
|--------------------------------|--------------------------|
| Customer Client                | Date                     |
| Drawn By<br>Dessiné Par BoxCad | Date 04/11/2009          |
| Material<br>Matière            | 12 Ga Galvanized (2.5mm) |

|                  |           |                |           |
|------------------|-----------|----------------|-----------|
| Color<br>Couleur | Unpainted | Finish<br>Fini | Unpainted |
|------------------|-----------|----------------|-----------|

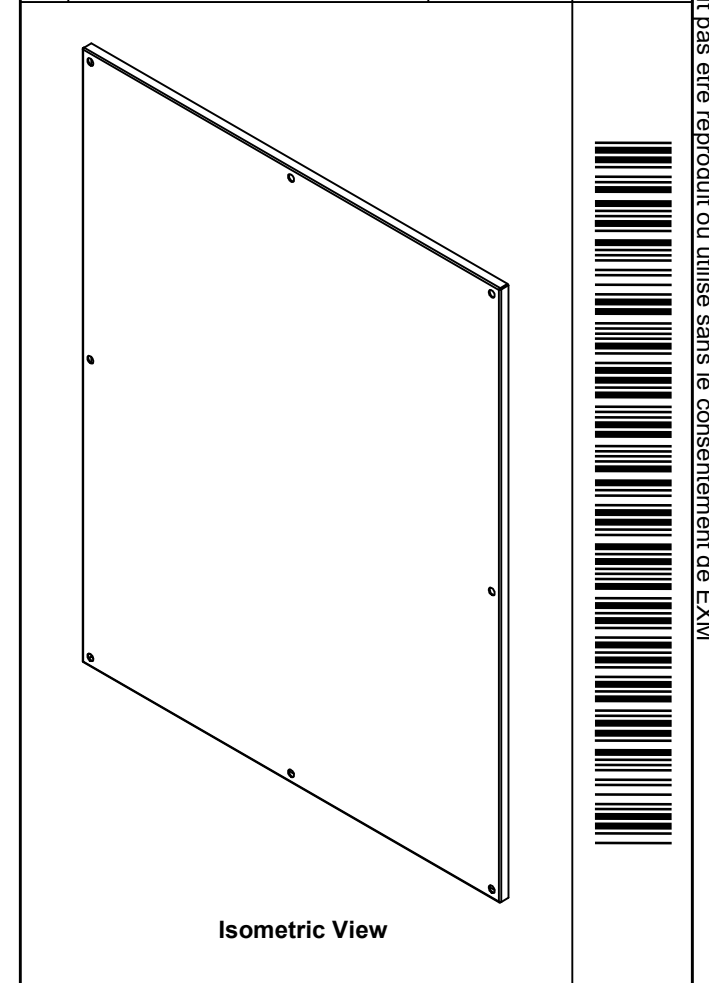
|                         |             |
|-------------------------|-------------|
| Description             | Detail Rev. |
| 885 SP6048G Inner Panel |             |


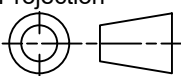
|                             |      |   |
|-----------------------------|------|---|
| Part Number<br>Numéro Pièce | Rev. | 1 |
| 885SP6048G                  | 0    | 2 |

This drawing is confidential and must not be reproduced or used without the consent of EXM

Ce dessin est confidentiel et ne doit pas être reproduit ou utilisé sans le consentement de EXM

| No. | Revisions | Date | By/Par |
|-----|-----------|------|--------|
|     |           |      |        |
|     |           |      |        |
|     |           |      |        |
|     |           |      |        |
|     |           |      |        |



|  |                          |   |
|--|--------------------------|---|
|  Tél: (450) 979-4373<br>Fax: (450) 979-4626<br>www.exmweb.com |                          | Flatness<br>Aplatissement<br>Max 3.0mm  |
| Customer Client  |                          | Projection<br> |
| Drawn By / Dessiné Par: BoxCad   |                          | Date: 04/11/2009  |
| Material / Matière: 12 Ga Galvanized (2.5mm)   |                          |   |
| Color / Couleur: Unpainted   | Finish / Fini: Unpainted |   |
| Description: 885 SP6048G Inner Panel   |                          | Detail Rev.   |
| Part Number / Numéro Pièce: <b>885SP6048G</b>  |                          | Rev. 0 / 2  |

| Qty        | Part Number  | Rev | Description                  |
|------------|--------------|-----|------------------------------|
| 1          | 885SP6048G-P | 0   | 885 SP6048G Inner Panel Part |
| Parts List |              |     |                              |