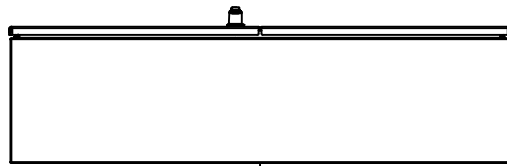
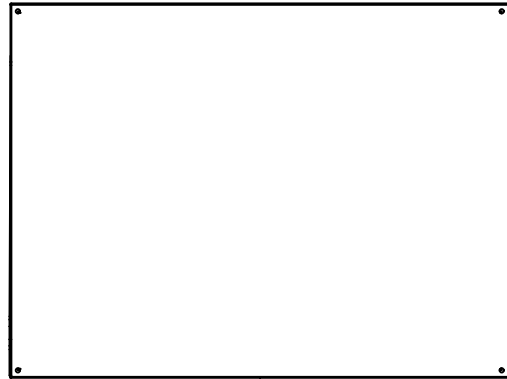


This drawing is confidential and must not be reproduced or used without the consent of EXM

Ce dessin est confidentiel et ne doit pas être reproduit ou utilisé sans le consentement de EXM



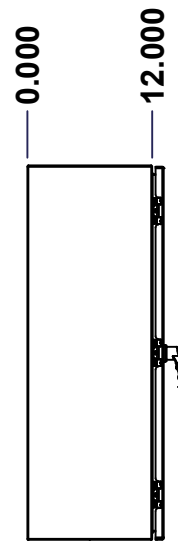
TOP



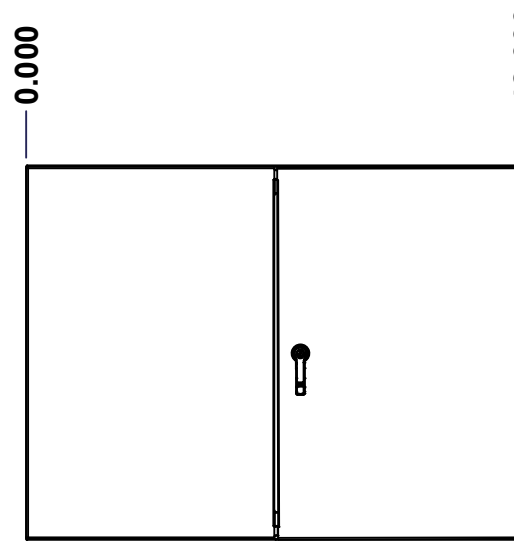
BACK



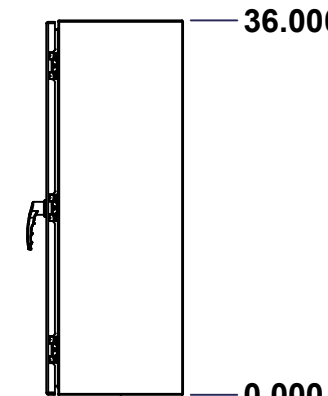
BOTTOM



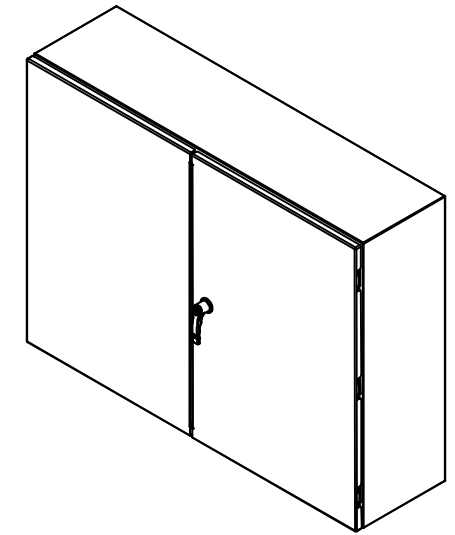
LEFT



FRONT



RIGHT




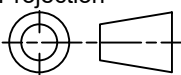
Isometric View



**GRAIN DIRECTION:
TOP/BOTTOM: HORIZONTAL
LEFT/RIGHT/BACK/FRONT: VERTICAL**

SEE BILL OF MATERIAL ON LAST PAGE

| No. | Revisions | Date | By/Par |
|-----|-----------|------|--------|
| | | | |
| | | | |
| | | | |
| | | | |
| | | | |

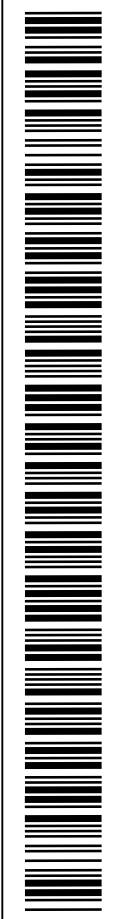
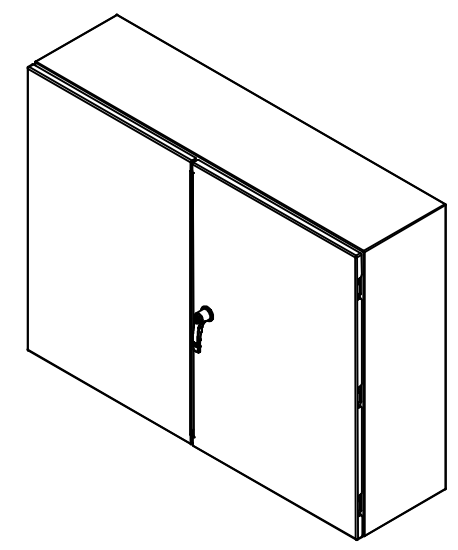
| | | |
|--|-----------------------------------|---|
|  Tél: (450) 979-4373 Fax: (450) 979-4626 www.exmweb.com | | Flatness Aplatissement Max 3.0mm Projection  |
| Customer Client | Date | |
| Drawn By Dessiné Par | BoxCad: BoxCad | Date 11-Dec-24 |
| Material Matière | 14 Ga Stainless Steel 304 (1.7mm) | |
| Color Couleur | Unpainted | Finish Fini Brushed |
| Description | Detail Rev. | |
| 5500ESSDD 36" x 48" x 12" Assembly | | |
| Part Number Numéro Pièce | Rev. | 1 |
| 5500ESSDD364812 | 0 | 13 |

This drawing is confidential and must not be reproduced or used without the consent of EXM

Ce dessin est confidentiel et ne doit pas être reproduit ou utilisé sans le consentement de EXM

| NOTE | |
|------|--|
| ITEM | DESCRIPTION |
| 1 | NEMA 12, 13 Enclosure (IP55) |
| 2 | C/W Standard ground studs on box and cover |
| 3 | W/O Standard door stiffener |
| 4 | C/W Standard inner panel (Sold separately) |
| 5 | C/W Standard inner panel mounting studs |

| No. | Revisions | Date | By/Par |
|-----|-----------|------|--------|
| | | | |
| | | | |
| | | | |
| | | | |
| | | | |
| | | | |



Isometric View



Tél: (450) 979-4373
 Fax: (450) 979-4626
www.exmweb.com

Flatness
Aplatissement
Max 3.0mm
Projection

| | |
|---|-----------------|
| Customer Client | Date |
| Drawn By / Dessiné Par: BoxCad: BoxCad | Date: 11-Dec-24 |
| Material / Matière: 14 Ga Stainless Steel 304 (1.7mm) | |

| | |
|--|------------------------|
| Color / Couleur: Unpainted | Finish / Fini: Brushed |
| Description: 5500ESSDD 36" x 48" x 12" Assembly | Detail Rev. |
| Part Number / Numéro Pièce: 5500ESSDD364812 | Rev. 0 |

| PACKING | | |
|-----------------------|-----|--|
| ITEM | QTY | DESCRIPTION |
| Cardboard sleeve | 2 | Top and Bottom |
| Cardboard strip | 2 | Between back of enclosure and inner panel |
| Plastic bag | 1 | To protect cover surface and inside gasket |
| Plastic strap - Black | 2 | To Squeeze the 2 cardboard sleeve together |
| Packaging label | 1 | White label with product number |

| | | | |
|------------|-------------------|-----|--|
| 1 | 881 SP4836G | 0 | 881 SP - Inner Panel |
| 4 | STK-K-01320 | 0 | 5412 ES Inner Panel Accessory Kit |
| 1 | 5500ESSDD364812LD | 0 | 5500ESSDD 36" x 48" Lock Door |
| 1 | 5500ESSDD364812FD | 0 | 5500ESSDD 36" x 48" Flange Door |
| 1 | 5500ESSDD364812B | 0 | 5500ESSDD 36" x 48" x 12" Body |
| 6 | STK-Q-04051-08 | 1 | M6 x 8mm Stainless Steel Hexagon Socket Head Machine Screw with Nyseal |
| Qty | Part Number | Rev | Description |
| Parts List | | | |

This drawing is confidential and must not be reproduced or used without the consent of EXM

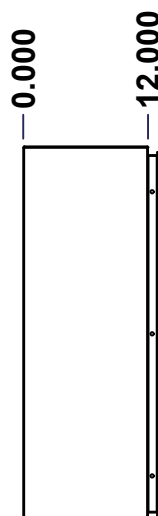
Ce dessin est confidentiel et ne doit pas être reproduit ou utilisé sans le consentement de EXM



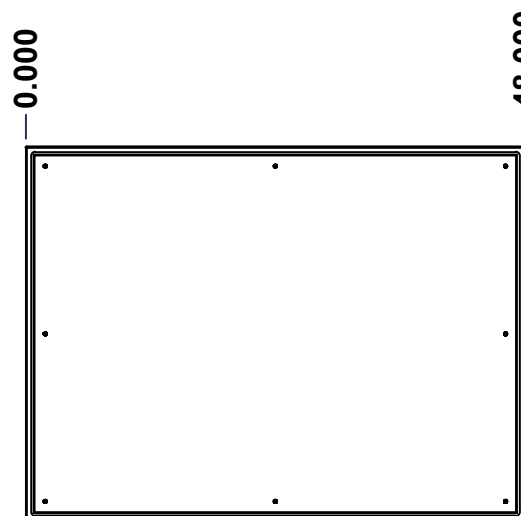
TOP



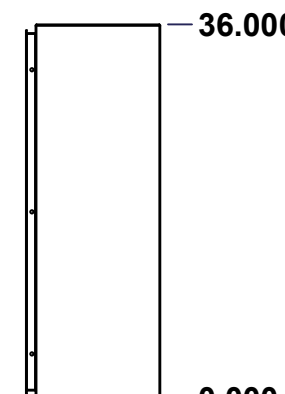
BACK



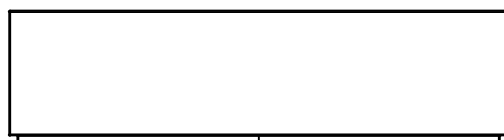
LEFT



FRONT

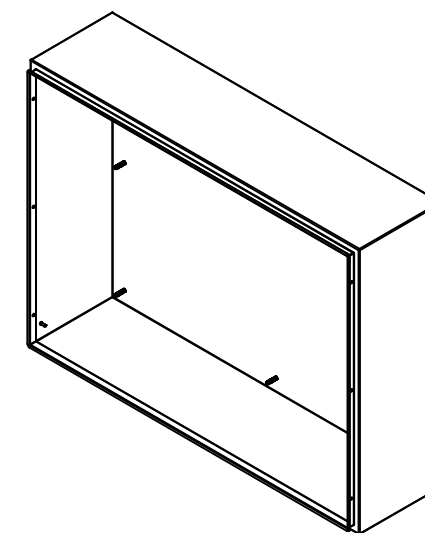


RIGHT



BOTTOM

| No. | Revisions | Date | By/Par |
|-----|-----------|------|--------|
| | | | |
| | | | |
| | | | |
| | | | |



Isometric View



Tél: (450) 979-4373
 Fax: (450) 979-4626
www.exmweb.com

Flatness
Aplatissement

Max 3.0mm

Projection



| | |
|---|------------------------|
| Customer Client | Date |
| Drawn By / Dessiné Par: BoxCad: BoxCad | Date: 11-Dec-24 |
| Material / Matière: 14 Ga Stainless Steel 304 (1.7mm) | |
| Color / Couleur: Unpainted | Finish / Fini: Brushed |

| | |
|--|-------------|
| Description: 5500ESSDD 36" x 48" x 12" Body | Detail Rev. |
| Part Number / Numéro Pièce: 5500ESSDD364812B | Rev. 0 |

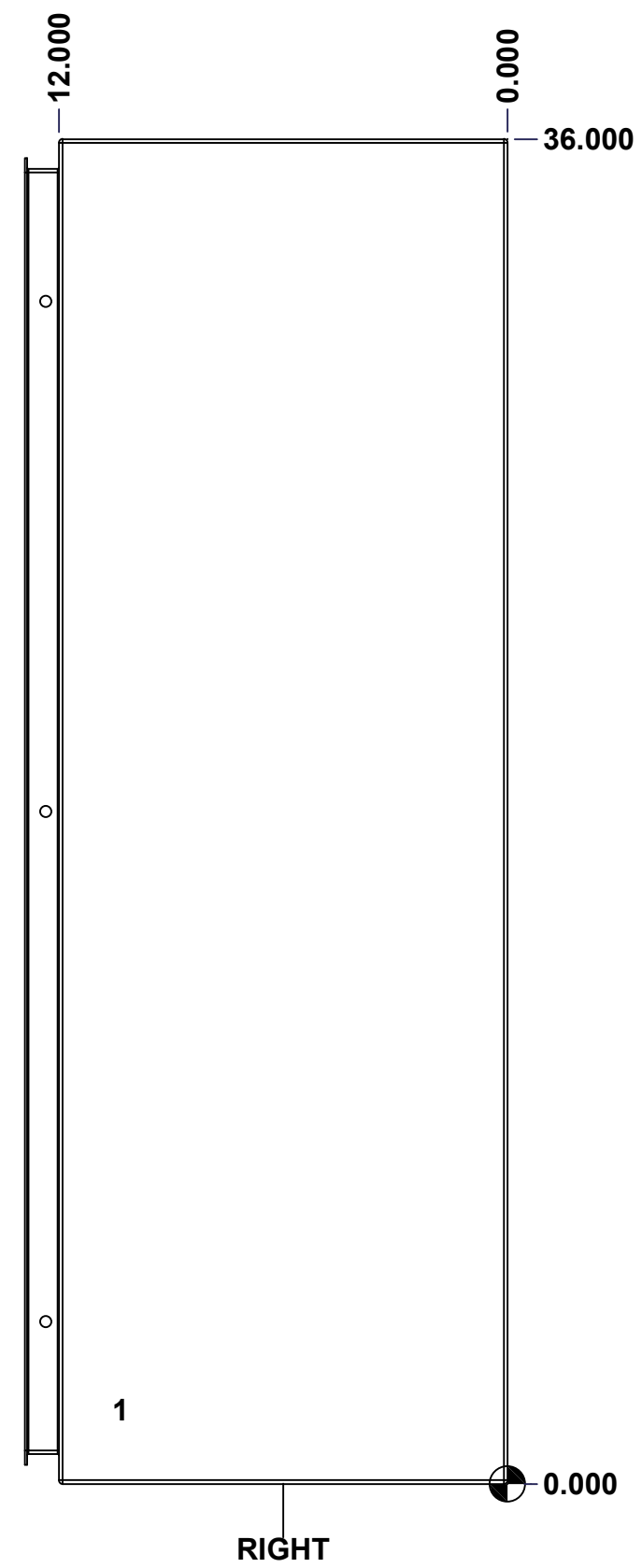
| |
|--------|
| Rev. 3 |
| 13 |

SEE BILL OF MATERIAL ON LAST PAGE

This drawing is confidential and must not be reproduced or used without the consent of EXM

Ce dessin est confidentiel et ne doit pas être reproduit ou utilisé sans le consentement de EXM

| STANDARD FEATURES ARE NOT LISTED IN THIS HOLE TABLE | | | |
|---|--------|-------|-----------------------------|
| HOLE TABLE - RIGHT VIEW (CUSTOM FEATURE ONLY) | | | |
| CUT-OUT | XDIM | YDIM | DESCRIPTION |
| 1 | 10.500 | 2.000 | GND STUD M6 x 16mm (Inside) |



| | | |
|--|--------------------------------|--------------|
| | Description | Status |
| | 5500ESSDD 36" x 48" x 12" Body | (NULL) |
| | Part Number Numéro Pièce | Rev. |
| | 5500ESSDD364812B | 0 / 4 |
| | | 13 |

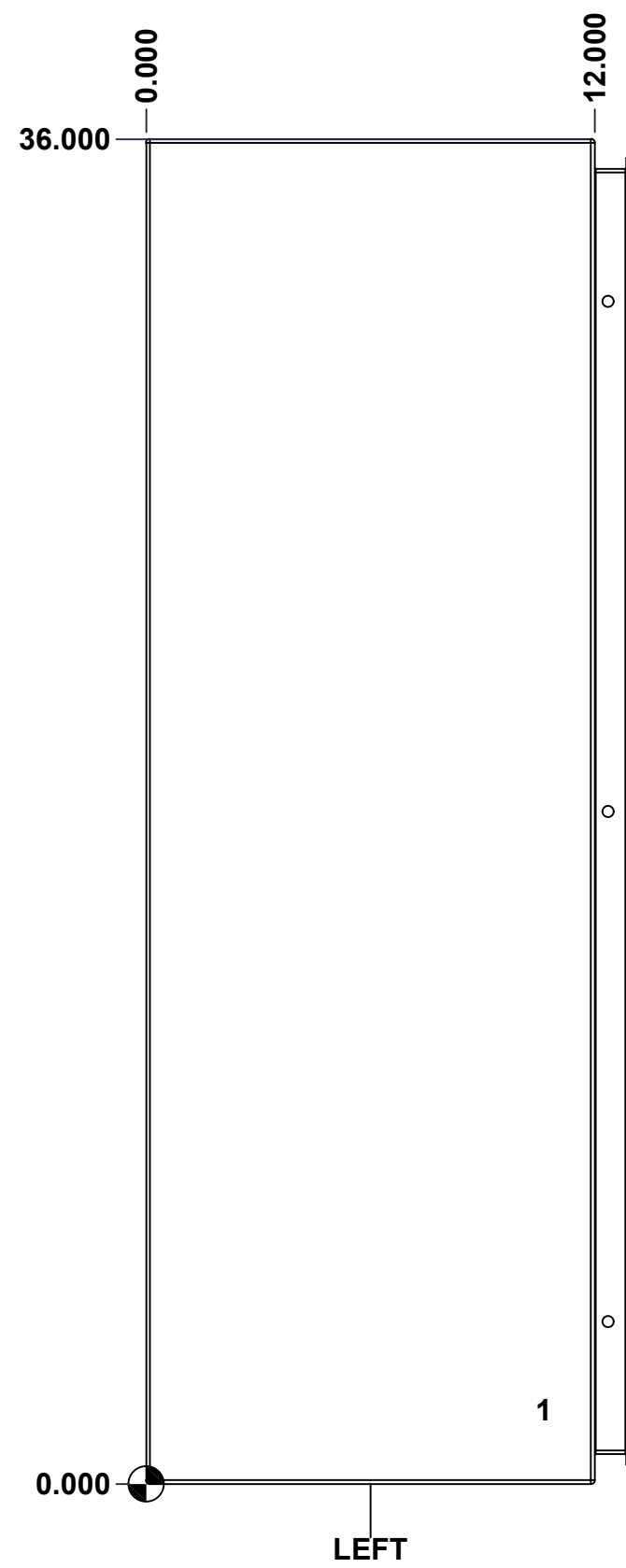
This drawing is confidential and must not be reproduced or used without the consent of EXM

Ce dessin est confidentiel et ne doit pas être reproduit ou utilisé sans le consentement de EXM

STANDARD FEATURES ARE NOT LISTED IN THIS HOLE TABLE

HOLE TABLE - LEFT VIEW (CUSTOM FEATURE ONLY)

| CUT-OUT | XDIM | YDIM | DESCRIPTION |
|---------|--------|-------|-----------------------------|
| 1 | 10.500 | 2.000 | GND STUD M6 x 16mm (Inside) |



| | | |
|--|--------------------------------|--------------|
| | Description | Status |
| | 5500ESSDD 36" x 48" x 12" Body | (NULL) |
| | Part Number Numéro Pièce | Rev. |
| | 5500ESSDD364812B | 0 / 5 |
| | | 13 |

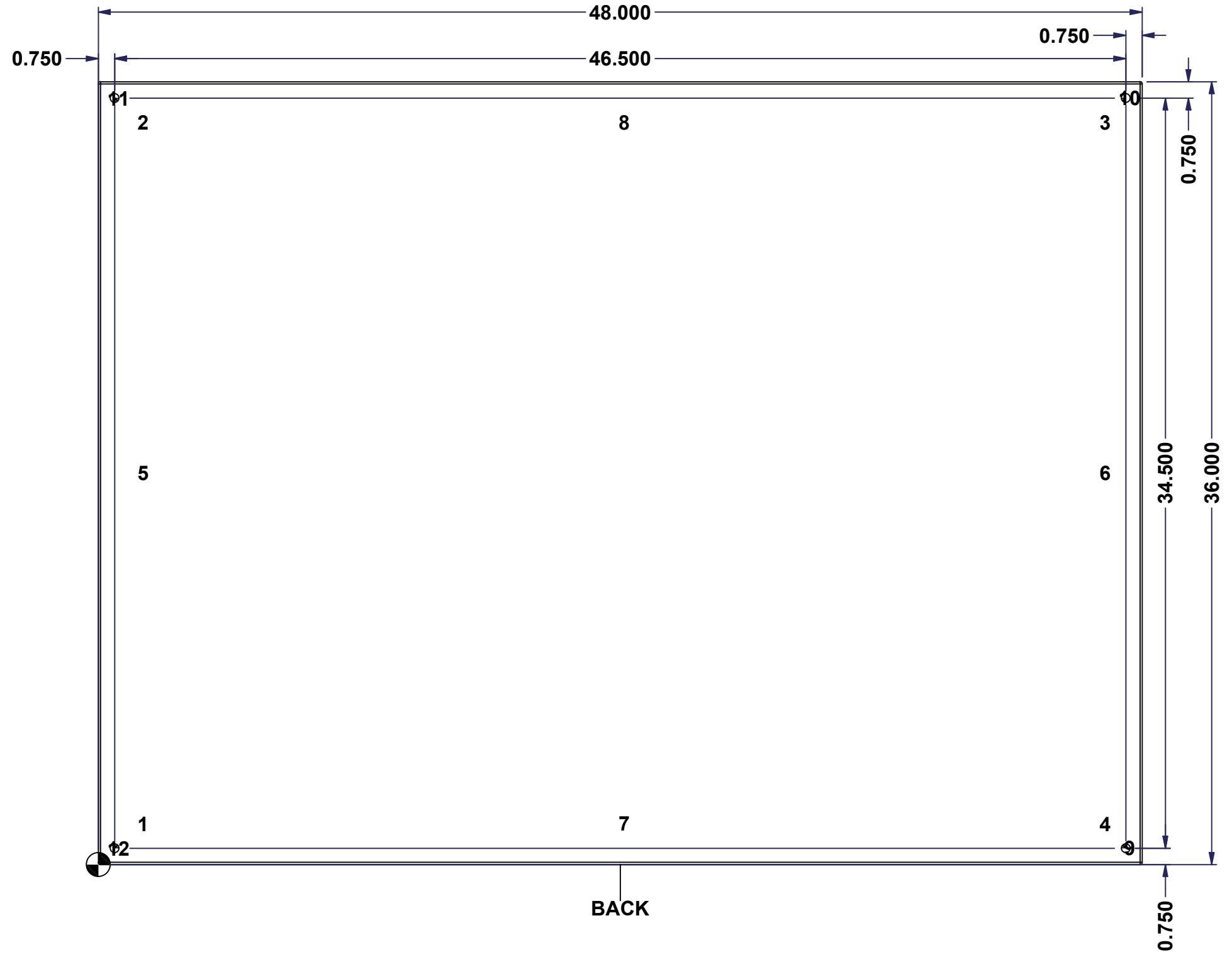
This drawing is confidential and must not be reproduced or used without the consent of EXM

Ce dessin est confidentiel et ne doit pas être reproduit ou utilisé sans le consentement de EXM

STANDARD FEATURES ARE NOT LISTED IN THIS HOLE TABLE

HOLE TABLE - BACK VIEW (CUSTOM FEATURE ONLY)

| CUT-OUT | XDIM | YDIM | DESCRIPTION |
|---------|--------|--------|----------------------------|
| 1 | 1.875 | 1.875 | IP STUD M8 x 35mm (Inside) |
| 2 | 1.875 | 34.125 | IP STUD M8 x 35mm (Inside) |
| 3 | 46.125 | 34.125 | IP STUD M8 x 35mm (Inside) |
| 4 | 46.125 | 1.875 | IP STUD M8 x 35mm (Inside) |
| 5 | 1.875 | 18.000 | IP STUD M8 x 35mm (Inside) |
| 6 | 46.125 | 18.000 | IP STUD M8 x 35mm (Inside) |
| 7 | 24.000 | 1.875 | IP STUD M8 x 35mm (Inside) |
| 8 | 24.000 | 34.125 | IP STUD M8 x 35mm (Inside) |
| ----- | | | |
| 9 | 47.250 | 0.750 | RND Ø0.390 |
| 10 | 47.250 | 35.250 | RND Ø0.390 |
| 11 | 0.750 | 35.250 | RND Ø0.390 |
| 12 | 0.750 | 0.750 | RND Ø0.390 |

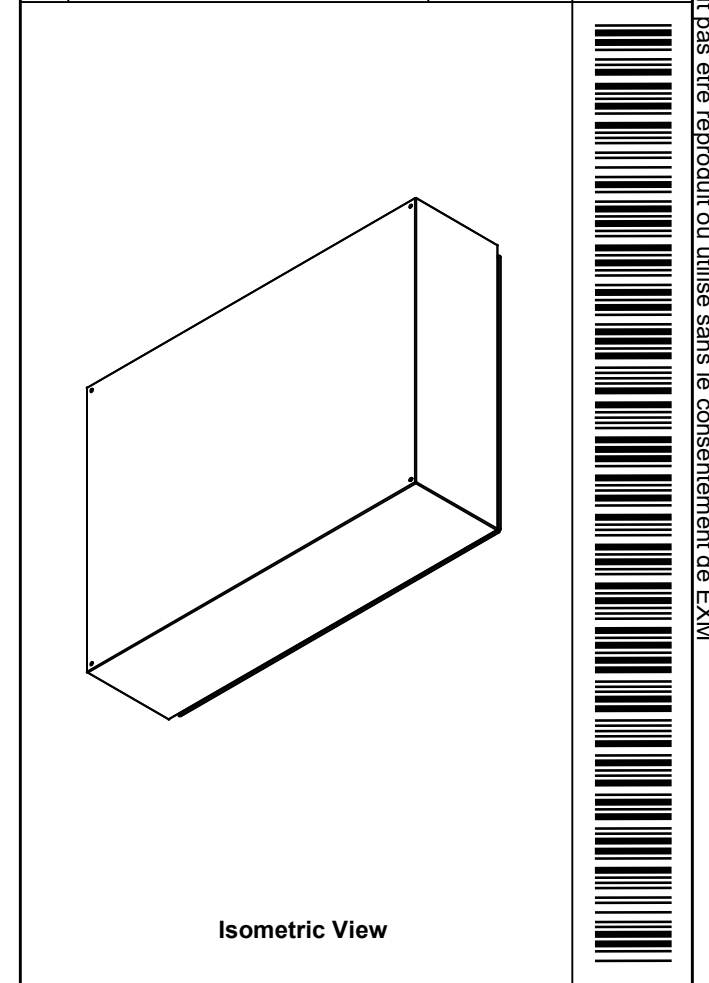


| | | |
|--|--------------------------------|----------|
| | Description | Status |
| | 5500ESSDD 36" x 48" x 12" Body | (NULL) |
| | Part Number | Rev. |
| | Numéro Pièce | 6 |
| | 5500ESSDD364812B | 0 |
| | | 13 |


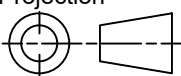
This drawing is confidential and must not be reproduced or used without the consent of EXM

Ce dessin est confidentiel et ne doit pas être reproduit ou utilisé sans le consentement de EXM

| No. | Revisions | Date | By/Par |
|-----|-----------|------|--------|
| | | | |
| | | | |
| | | | |
| | | | |
| | | | |



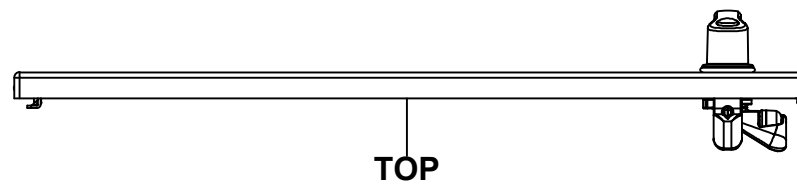
Isometric View

| | | |
|--|------------------------|---|
|  Tél: (450) 979-4373 Fax: (450) 979-4626 www.exmweb.com | | Flatness Aplatissement Max 3.0mm |
| Customer Client | | Projection  |
| Drawn By / Dessiné Par: BoxCad: BoxCad | | Date: 11-Dec-24 |
| Material / Matière: 14 Ga Stainless Steel 304 (1.7mm) | | |
| Color / Couleur: Unpainted | Finish / Fini: Brushed | |
| Description: 5500ESSDD 36" x 48" x 12" Body | | Detail Rev. |
| Part Number / Numéro Pièce: 5500ESSDD364812B | | Rev. 7 0 |

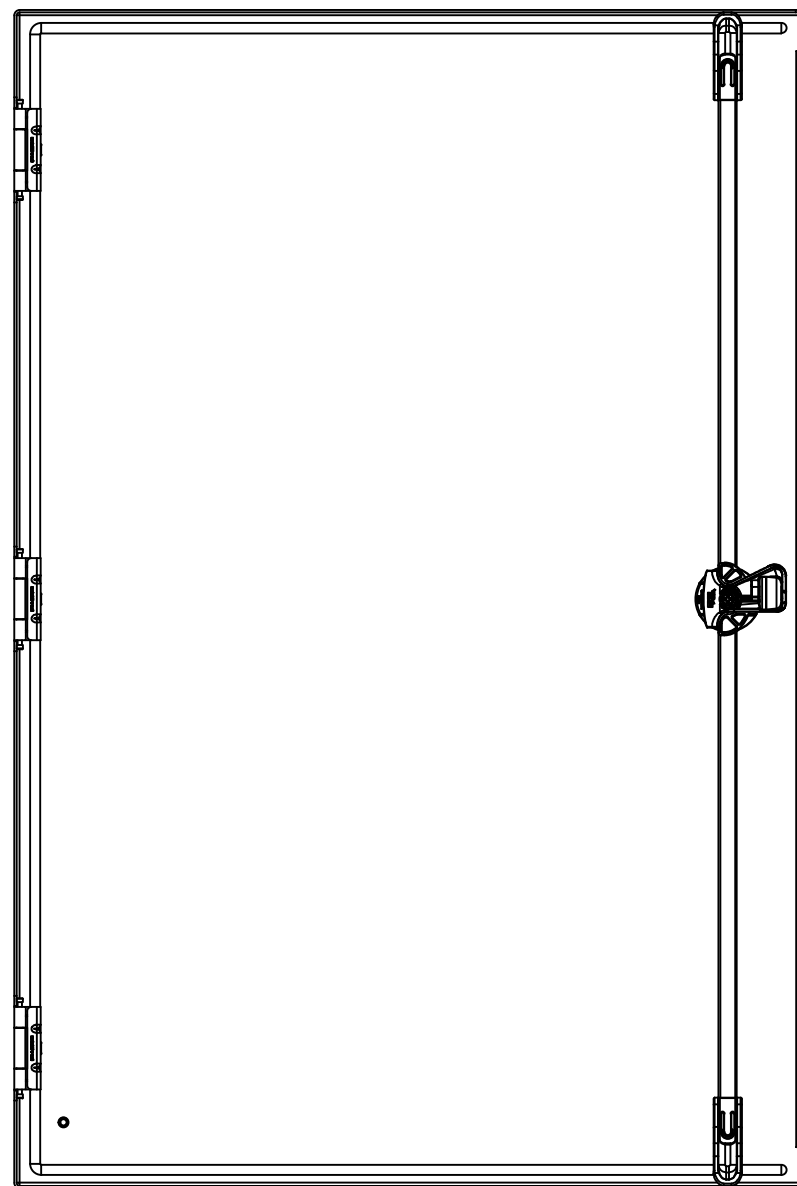
| Qty | Part Number | Rev | Description |
|------------|--------------------|-----|---------------------------------------|
| 2 | STK-Q-16085 | 0 | Ground Stud M6 x 16mm Stainless Steel |
| 8 | STK-Q-16020 | 1 | Stud M8 x 35mm Stainless Steel |
| 1 | 5500ESSDD364812B-P | 0 | 5500ESSDD 36" x 48" x 12" Body Part |
| Parts List | | | |

This drawing is confidential and must not be reproduced or used without the consent of EXM

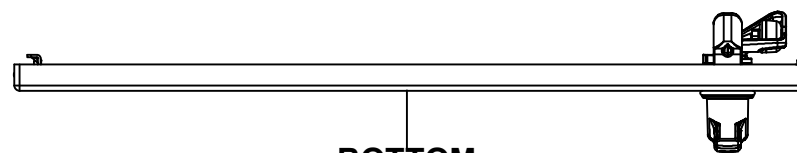
Ce dessin est confidentiel et ne doit pas être reproduit ou utilisé sans le consentement de EXM



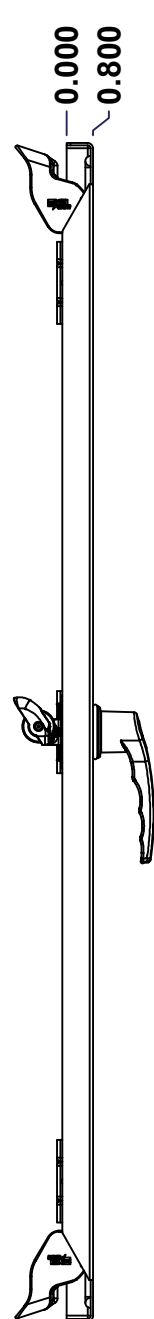
TOP



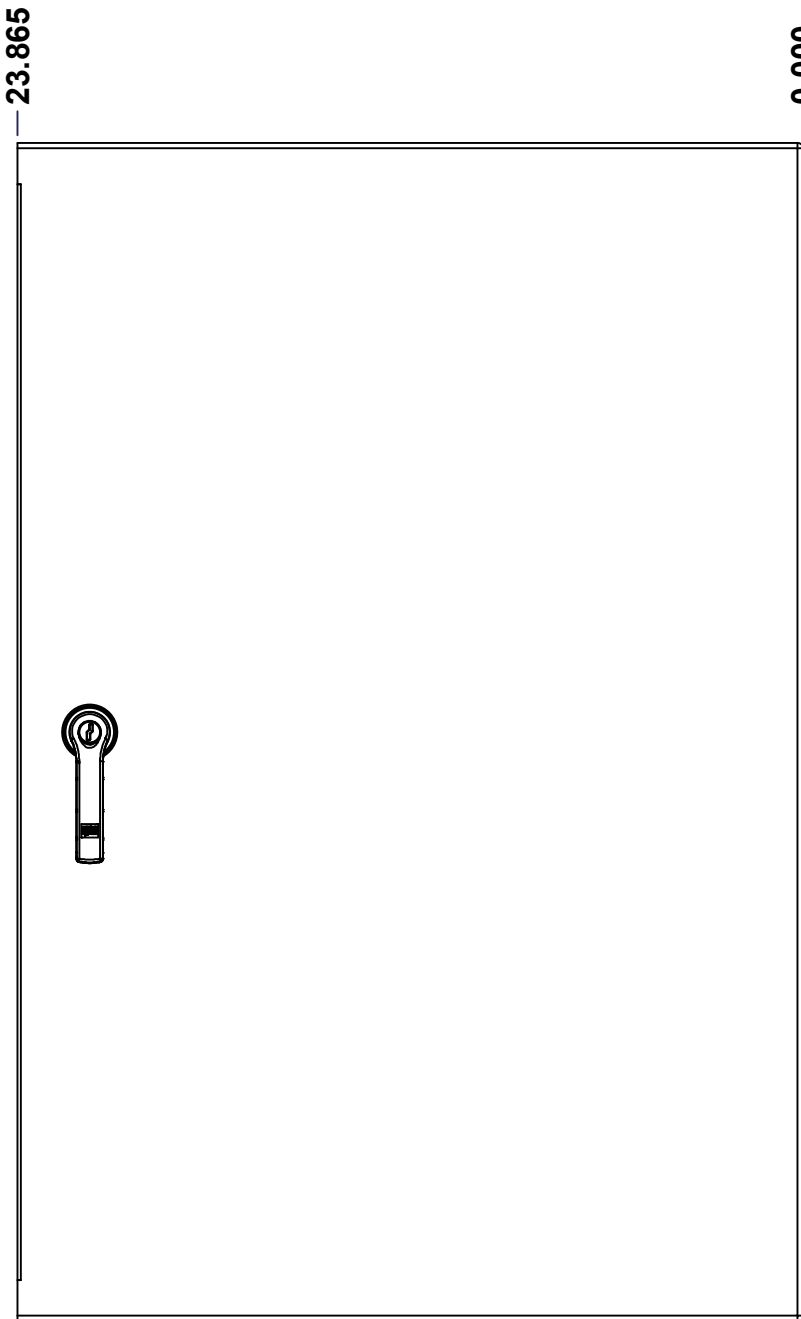
BACK



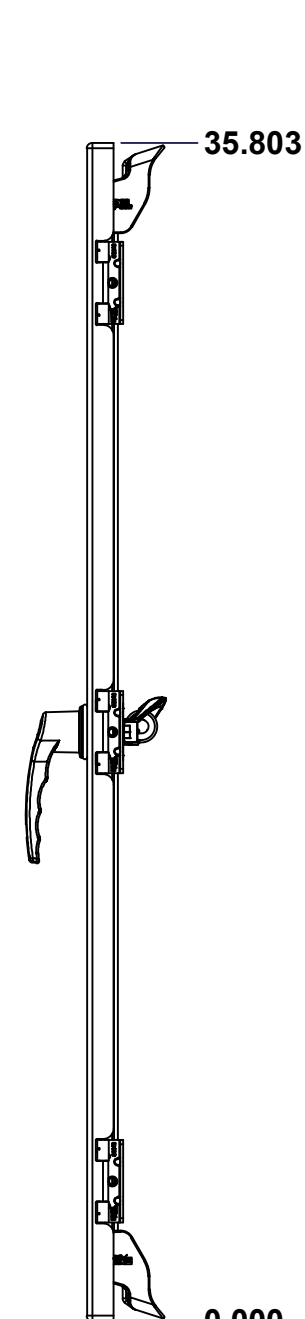
BOTTOM



LEFT

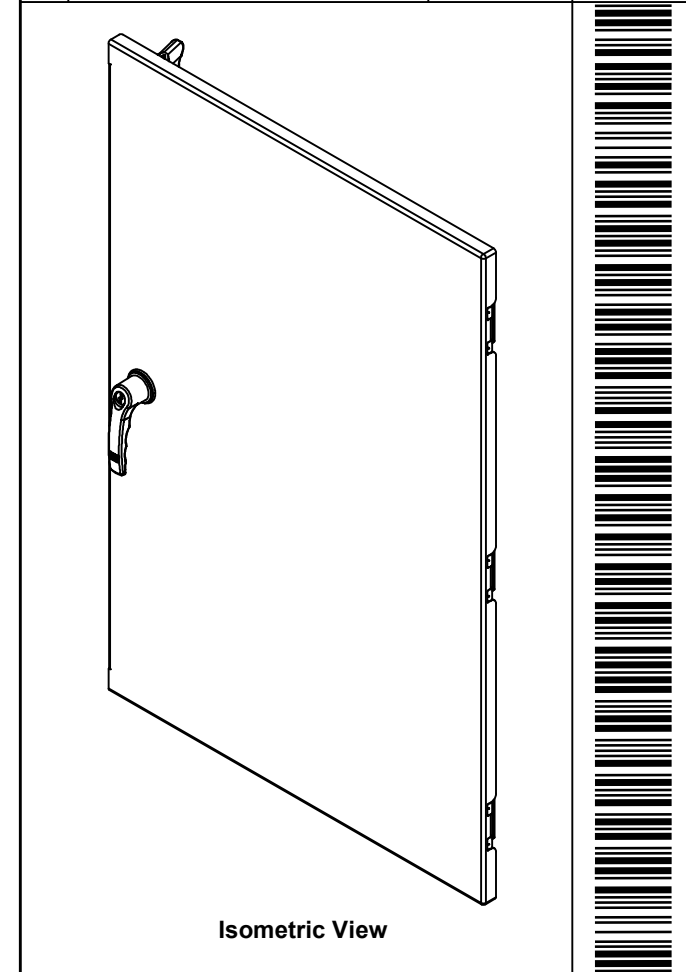


FRONT



RIGHT

| No. | Revisions | Date | By/Par |
|-----|-----------|------|--------|
| | | | |
| | | | |
| | | | |
| | | | |
| | | | |



Isometric View

| | | |
|--|--|---------------------------|
| Tél: (450) 979-4373 Fax: (450) 979-4626 www.exmweb.com | | Flatness Aplatissement |
| | | Max 3.0mm |
| Customer Client Drawn By / Dessiné Par: BoxCad: BoxCad Material Matière: 14 Ga Stainless Steel 304 (1.7mm) | | Projection |
| | | |
| Date | | Date |
| Date 11-Dec-24 | | Date |
| Color Couleur: Unpainted | | Finish Fini: Brushed |
| Description: 5500ESSDD 36" x 48" Lock Door | | Detail Rev. |
| Part Number / Numéro Pièce: 5500ESSDD364812LD | | Rev. 8 |
| SEE BILL OF MATERIAL ON LAST PAGE | | 0 |

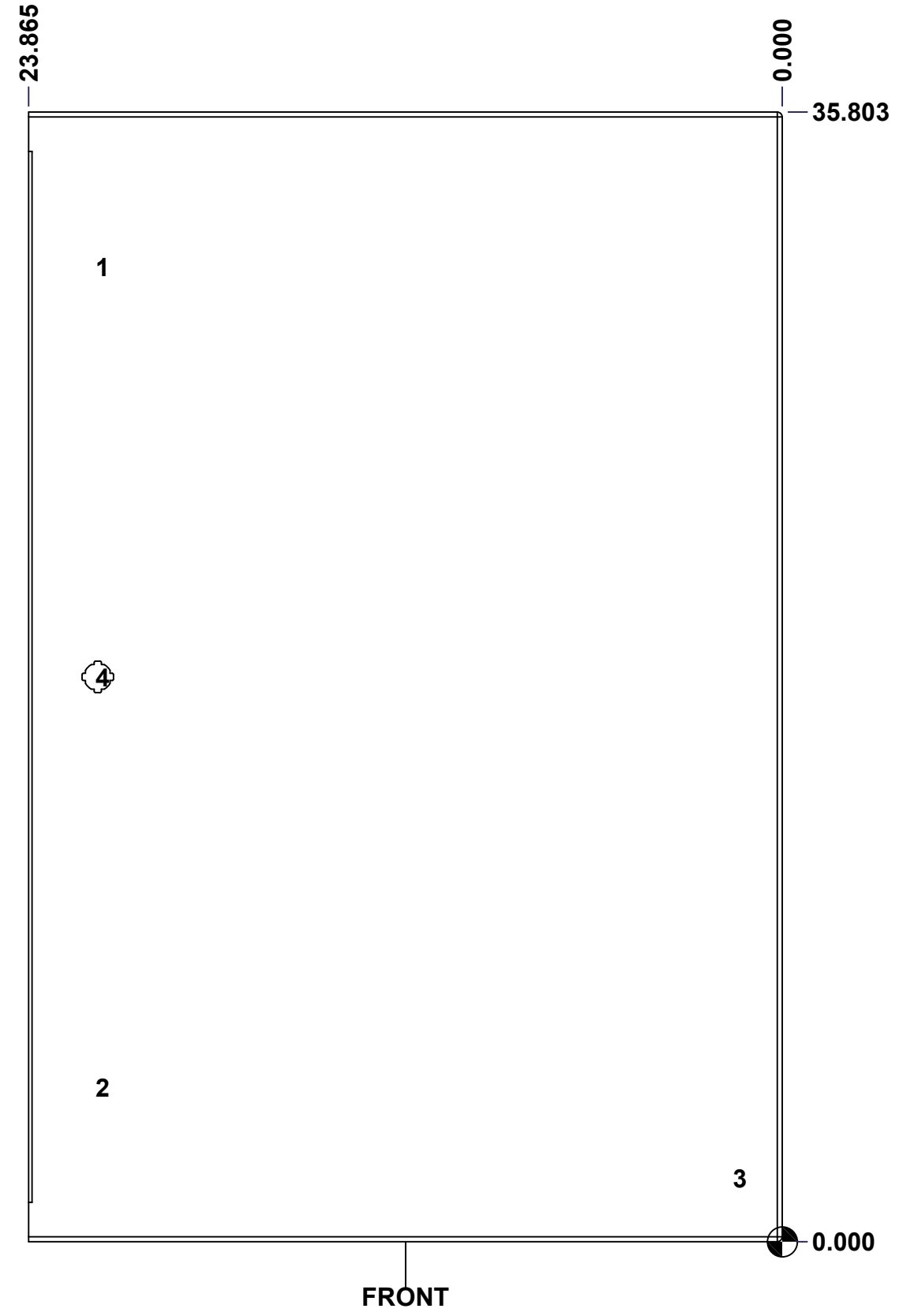
This drawing is confidential and must not be reproduced or used without the consent of EXM

Ce dessin est confidentiel et ne doit pas être reproduit ou utilisé sans le consentement de EXM

STANDARD FEATURES ARE NOT LISTED IN THIS HOLE TABLE

HOLE TABLE - FRONT VIEW (CUSTOM FEATURE ONLY)

| CUT-OUT | XDIM | YDIM | DESCRIPTION |
|---------|--------|--------|-----------------------------|
| 1 | 21.678 | 30.896 | CLOSING BAR STUD (Inside) |
| 2 | 21.678 | 4.907 | CLOSING BAR STUD (Inside) |
| ----- | ----- | ----- | ----- |
| 3 | 1.486 | 2.000 | GND STUD M6 x 16mm (Inside) |
| 4 | 21.678 | 17.902 | HANDLE 885 ESL2A-LSS @ 0.0° |

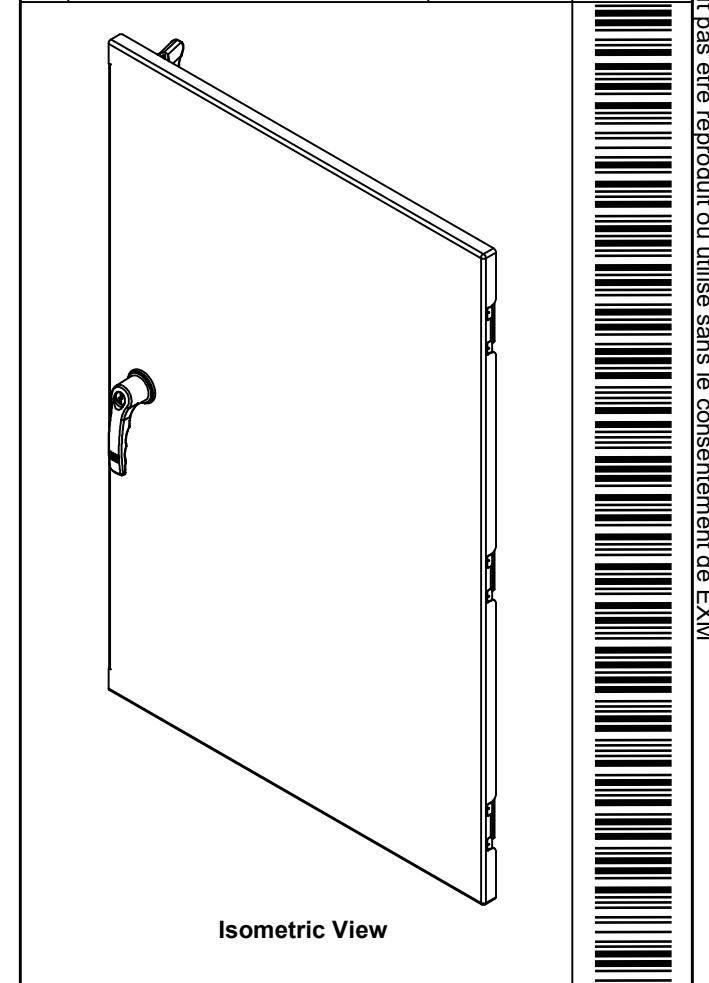


| | | | |
|-----------------------------|-------------------------------|----------|--------|
| | Description | | Status |
| | 5500ESSDD 36" x 48" Lock Door | | (NULL) |
| Part Number Numéro Pièce | | Rev. | 9 |
| 5500ESSDD364812LD | | 0 | 13 |

This drawing is confidential and must not be reproduced or used without the consent of EXM

Ce dessin est confidentiel et ne doit pas être reproduit ou utilisé sans le consentement de EXM

| No. | Revisions | Date | By/Par |
|-----|-----------|------|--------|
| | | | |
| | | | |
| | | | |
| | | | |
| | | | |



EXM
exm

Tél: (450) 979-4373
Fax: (450) 979-4626
www.exmweb.com

Flatness
Aplatissement
Max 3.0mm

Projection

| | | | |
|---|---------------------|----|--|
| 2 | STK-Q-90042 | 4 | 5412 ES - Cabinet Closing Bar End (Small) |
| 2 | STK-Q-45655-36 | 0 | 5412 ES - Closing Bar |
| 1 | STK-A-50535 | 15 | 5412 ES Handle Cam Assembly (Left Side, Grip 32mm) |
| 1 | STK-Q-90051 | 3 | 5412 ES - Handle Cam Spacer |
| 1 | 885 ESL2A-LSS | 3 | 5412 ESS Key Lock L-Handle (3 Pts) |
| 1 | STK-Q-16085 | 0 | Ground Stud M6 x 16mm Stainless Steel |
| 2 | STK-Q-16407 | 2 | Guide Stud - Small (No Paint Cap Required) |
| 1 | 5500ESSDD364812LD-G | 0 | 5500ESSDD 36" x 48" Lock Door Gasket |
| 1 | 5500ESSDD364812LD-P | 0 | 5500ESSDD 36" x 48" Lock Door |
| 3 | STK-A-33016 | 0 | 5412 ESS Bended Hinge (Body Part) |

| | |
|-------------------------------|-----------------------------------|
| Customer Client | Date |
| Drawn By Dessiné Par | Date 11-Dec-24 |
| Material Matière | 14 Ga Stainless Steel 304 (1.7mm) |
| Color Couleur | Unpainted |
| Finish Fini | Brushed |
| Description | Detail Rev. |
| 5500ESSDD 36" x 48" Lock Door | |
| Part Number Numéro Pièce | Rev. 10 |
| 5500ESSDD364812LD | 0 13 |

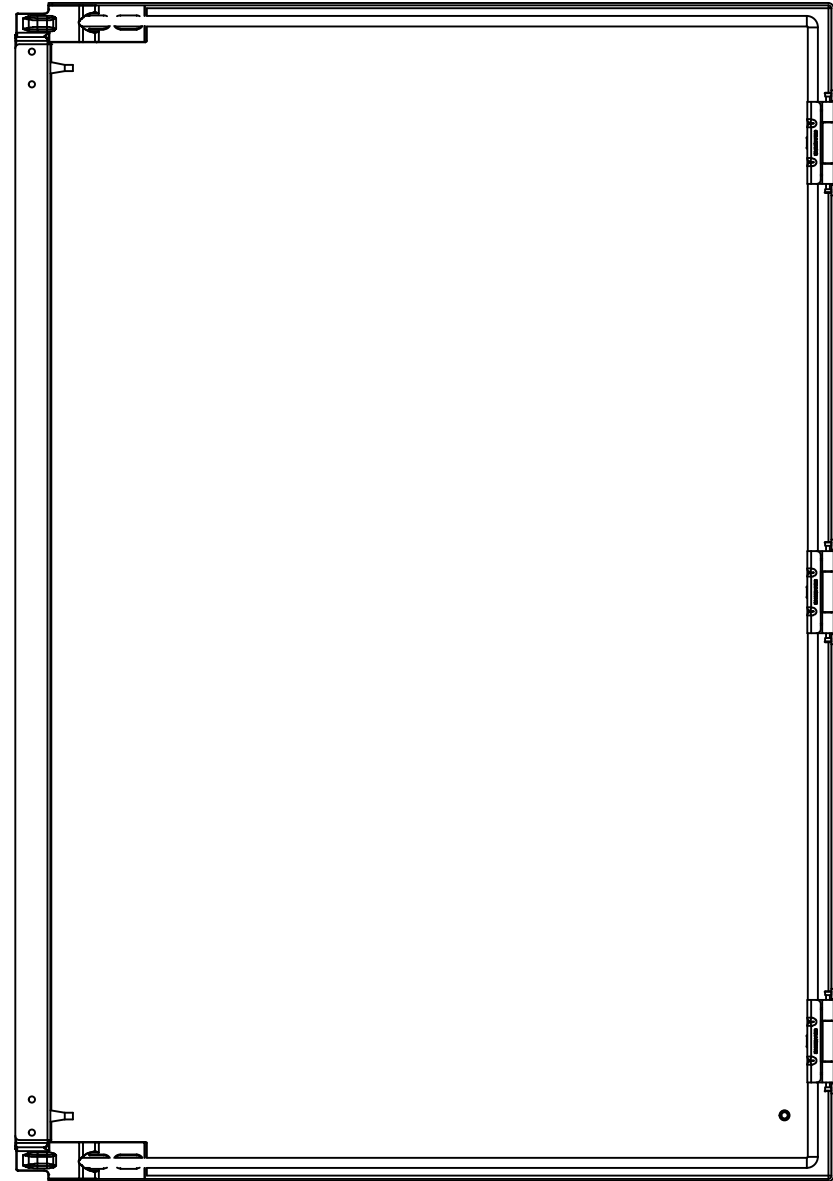
| QTY | Part Number | Rev | Description |
|------------|-------------|-----|-------------|
| Parts List | | | |

This drawing is confidential and must not be reproduced or used without the consent of EXM

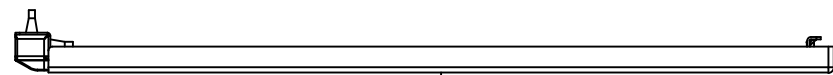
Ce dessin est confidentiel et ne doit pas être reproduit ou utilisé sans le consentement de EXM



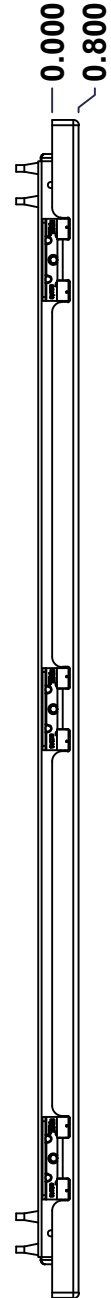
TOP



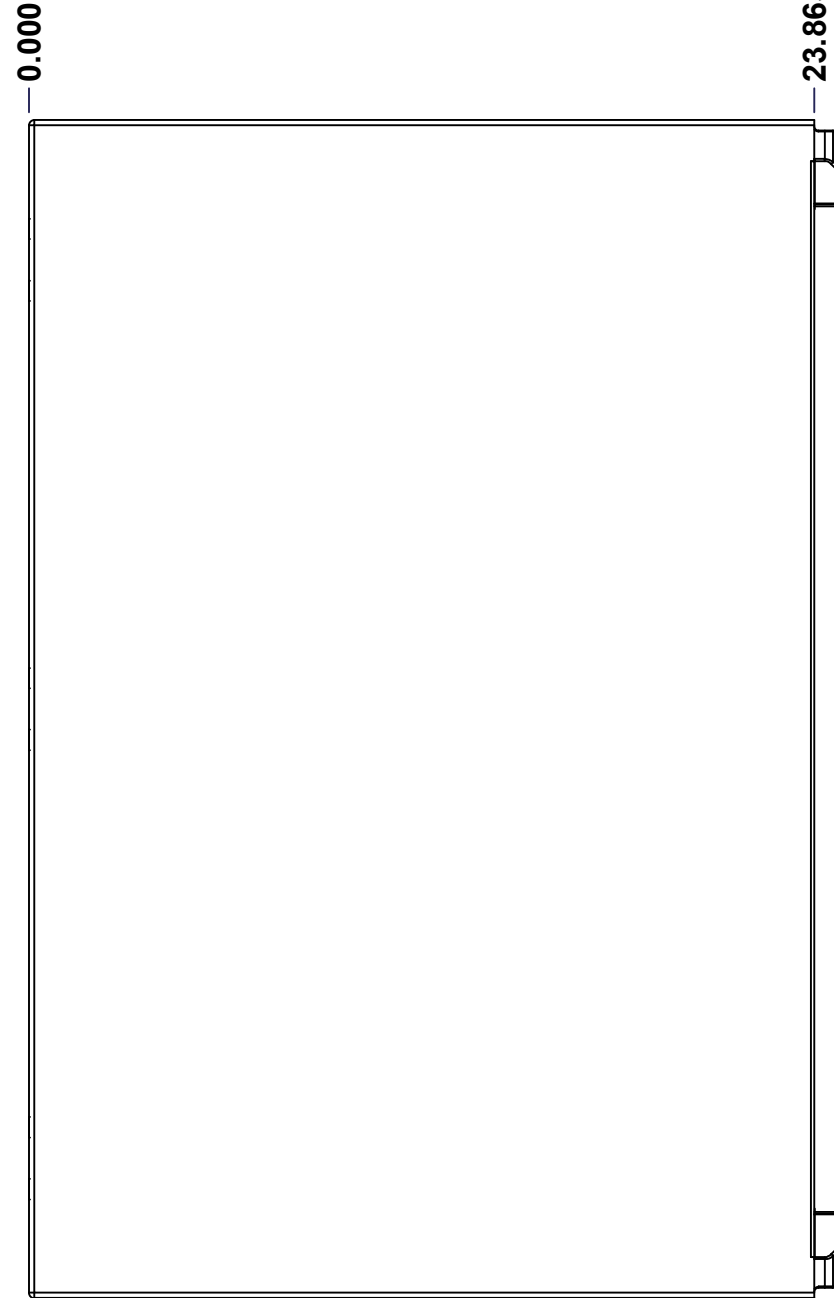
BACK



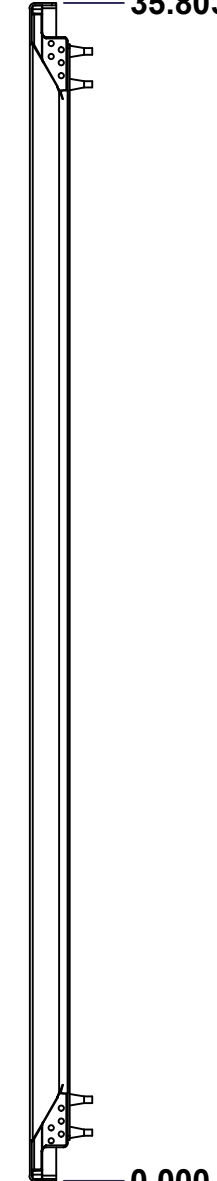
BOTTOM



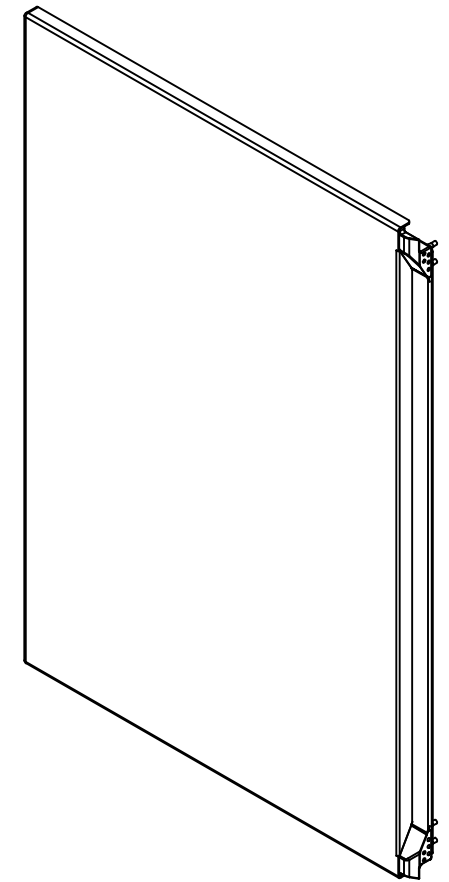
LEFT



FRONT




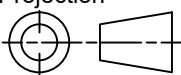
RIGHT



Isometric View



| No. | Revisions | Date | By/Par |
|-----|-----------|------|--------|
| | | | |
| | | | |
| | | | |
| | | | |

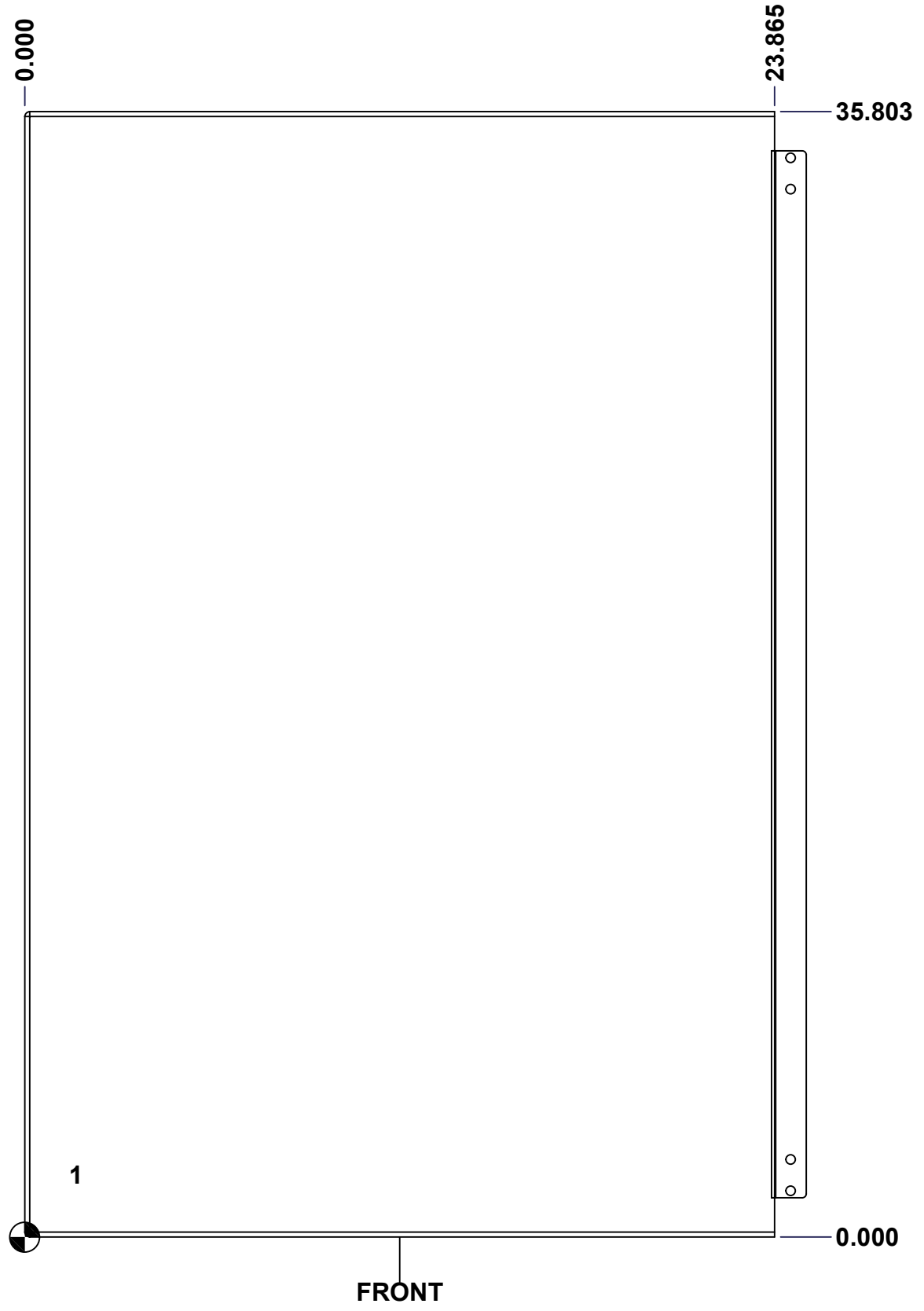
| | | |
|--|-----------------------------------|---|
|  Tél: (450) 979-4373 Fax: (450) 979-4626 www.exmweb.com | | Flatness Aplatissement Max 3.0mm Projection  |
| Customer Client | Date | |
| Drawn By Dessiné Par | BoxCad: BoxCad | Date 11-Dec-24 |
| Material Matière | 14 Ga Stainless Steel 304 (1.7mm) | |
| Color Couleur | Unpainted | Finish Fini Brushed |
| Description | Detail Rev. | |
| 5500ESSDD 36" x 48" Flange Door | | |
| Part Number Numéro Pièce | Rev. | 11 |
| 5500ESSDD364812FD | 0 | 13 |

SEE BILL OF MATERIAL ON LAST PAGE

This drawing is confidential and must not be reproduced or used without the consent of EXM

Ce dessin est confidentiel et ne doit pas être reproduit ou utilisé sans le consentement de EXM

| STANDARD FEATURES ARE NOT LISTED IN THIS HOLE TABLE | | | |
|---|-------|-------|-----------------------------|
| HOLE TABLE - FRONT VIEW (CUSTOM FEATURE ONLY) | | | |
| CUT-OUT | XDIM | YDIM | DESCRIPTION |
| 1 | 1.486 | 2.000 | GND STUD M6 x 16mm (Inside) |

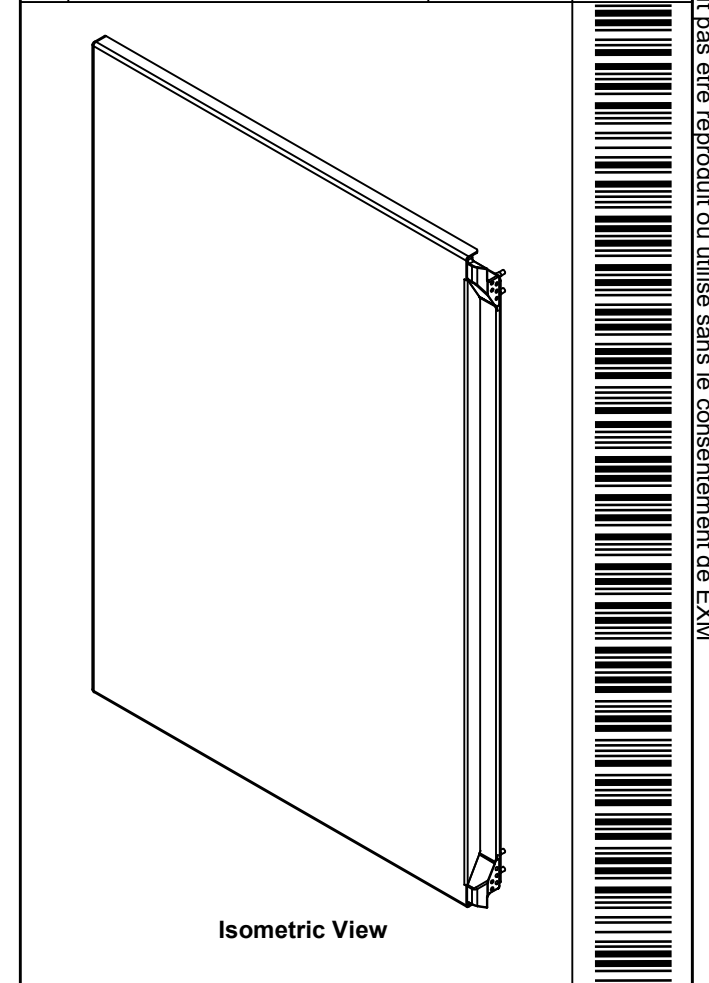


| | | |
|-----------------------------|---------------------------------|--------|
| | Description | Status |
| | 5500ESSDD 36" x 48" Flange Door | (NULL) |
| Part Number Numéro Pièce | 5500ESSDD364812FD | Rev. |
| | | 12 |
| | | 13 |

This drawing is confidential and must not be reproduced or used without the consent of EXM

Ce dessin est confidentiel et ne doit pas être reproduit ou utilisé sans le consentement de EXM

| No. | Revisions | Date | By/Par |
|-----|-----------|------|--------|
| | | | |
| | | | |
| | | | |
| | | | |
| | | | |



| | |
|--|---|
|  Tél: (450) 979-4373 Fax: (450) 979-4626 www.exmweb.com | Flatness Aplatissement |
| | Max 3.0mm |
| | Projection |
| |  |

| | |
|-------------------------|----------------|
| Customer Client | Date |
| Drawn By Dessiné Par | Date 11-Dec-24 |

Material Matière: 14 Ga Stainless Steel 304 (1.7mm)

| | | | |
|---------------|-----------|-------------|---------|
| Color Couleur | Unpainted | Finish Fini | Brushed |
|---------------|-----------|-------------|---------|

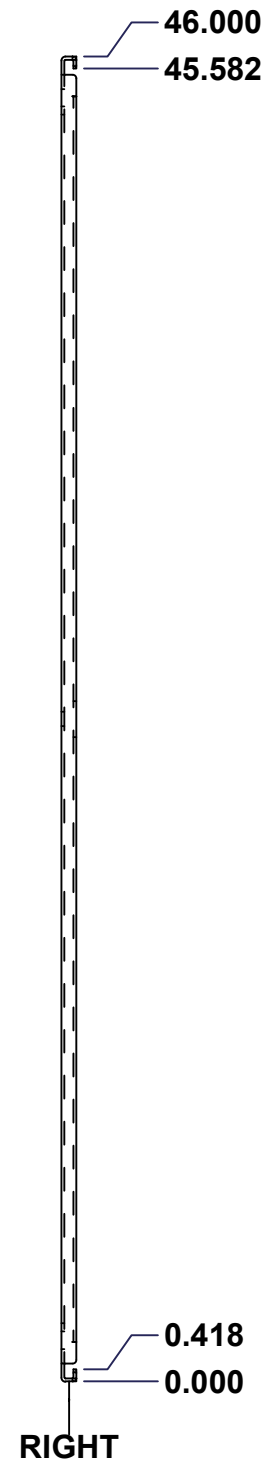
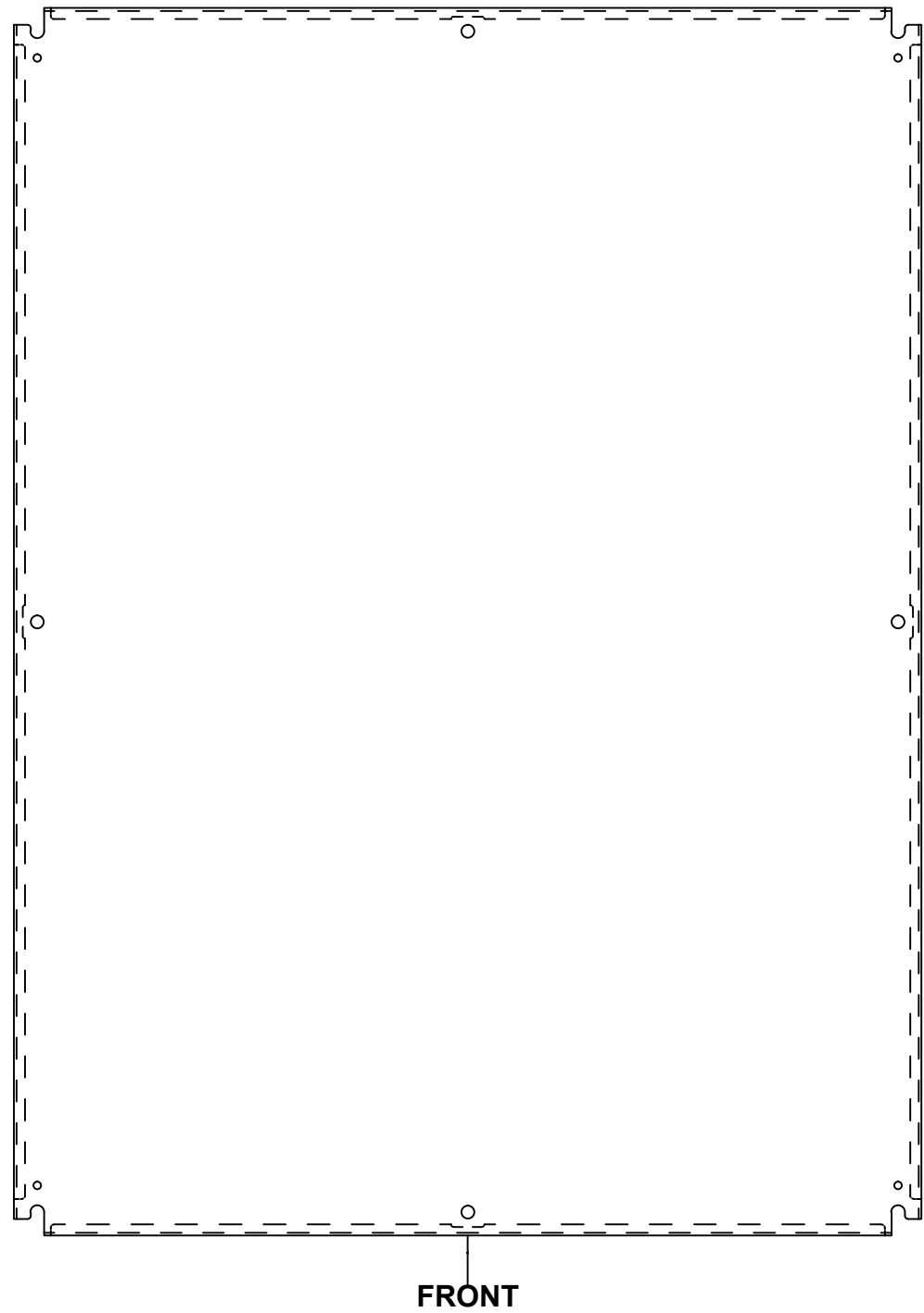
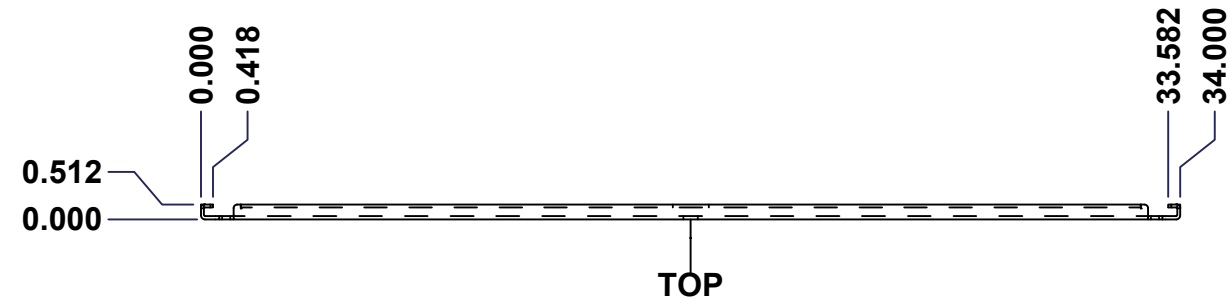
| | |
|---------------------------------|-------------|
| Description | Detail Rev. |
| 5500ESSDD 36" x 48" Flange Door | |

| | | |
|-----------------------------|----------|----|
| Part Number Numéro Pièce | Rev. | 13 |
| 5500ESSDD364812FD | 0 | 13 |

| QTY | Part Number | Rev | Description |
|------------|---------------------|-----|---|
| 1 | STK-Q-16085 | 0 | Ground Stud M6 x 16mm Stainless Steel |
| 1 | STK-G-00701 | 0 | 1" x 1/4" Self-Adhesive Neoprene Gasket |
| 1 | STK-G-03200 | 8 | 5500 ESSD Lower Flange Door Gasket |
| 1 | STK-G-03100 | 8 | 5500 ESSD Upper Flange Door Gasket |
| 1 | 5500ESSDD364812FD-G | 0 | 5500ESSDD 36" x 48" Flange Door Gasket |
| 1 | 5500ESSDD364812FD-P | 0 | 5500ESSDD 36" x 48" Flange Door Part |
| 3 | STK-A-33016 | 0 | 5412 ESS Bended Hinge (Body Part) |
| Parts List | | | |

This drawing is confidential and must not be reproduced or used without the consent of EXM

Ce dessin est confidentiel et ne doit pas être reproduit ou utilisé sans le consentement de EXM



| No. | Revisions | Date | By/Par |
|-----|-----------|------|--------|
| | | | |
| | | | |
| | | | |
| | | | |
| | | | |

Isometric View

| | |
|--|---------------------------|
| Tél: (450) 979-4373 Fax: (450) 979-4626 www.exmweb.com | Flatness Aplatissement |
| | Max 3.0mm |
| Projection | |
| Customer Client | Date |
| Drawn By Dessiné Par BoxCad | Date 23-Jan-07 |
| Material Matière | See Part List |
| Color Couleur | See Part List |
| Finish Fini | See Part List |
| Description | Detail Rev. |
| 881 SP - Inner Panel | |
| Part Number Numéro Pièce | Rev. 1 |
| 881 SP4836G | 0 2 |

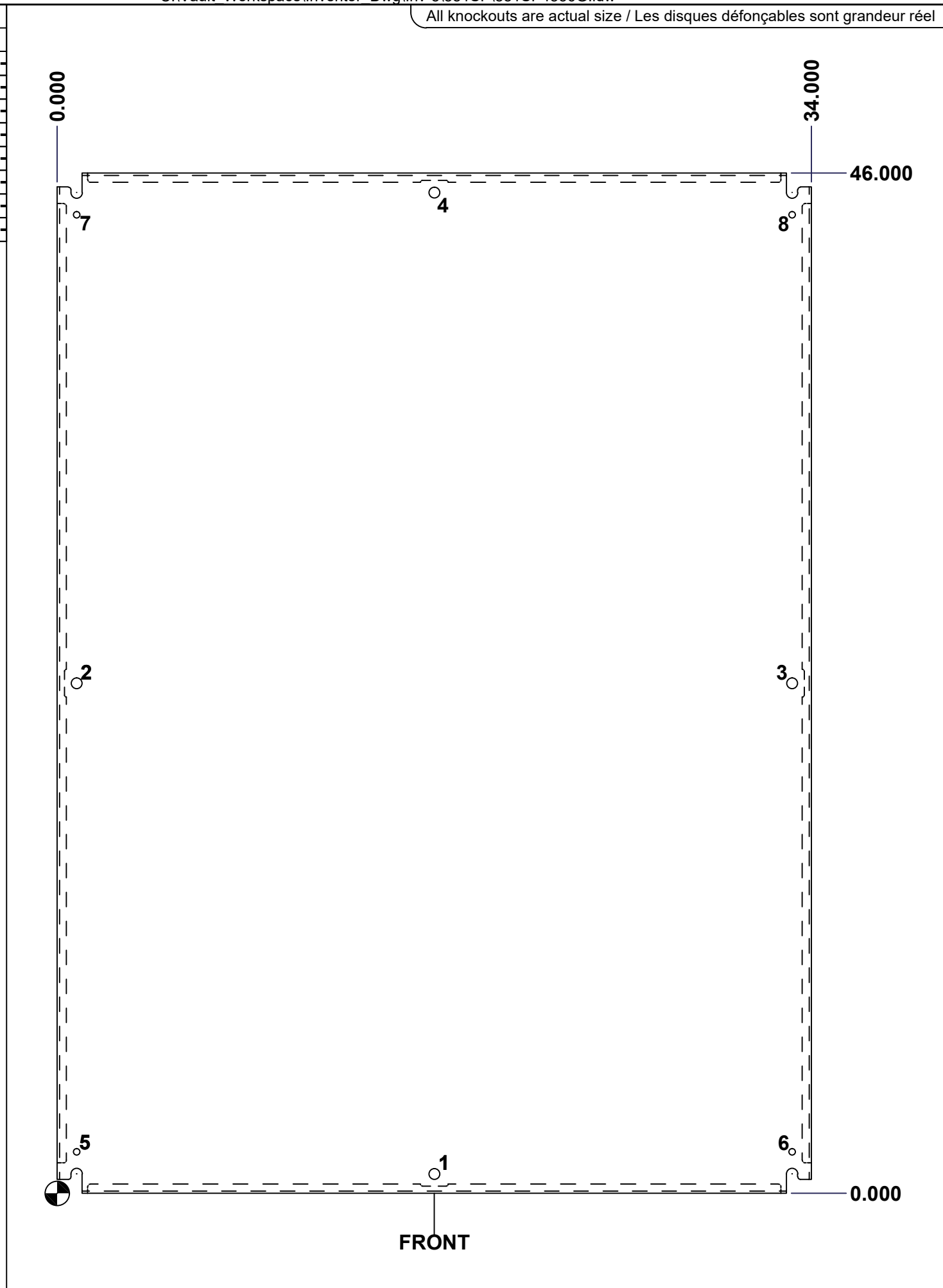
| Qty | Part Number | Rev | Description | Material | Color | Finish |
|-----|---------------|-----|---------------------------|------------------|-----------|------------|
| 1 | 881 SP4836G-P | 0 | 881 SP - Inner Panel Part | 12 Ga Galvanized | Unpainted | Galvanized |

Parts List

This drawing is confidential and must not be reproduced or used without the consent of EXM

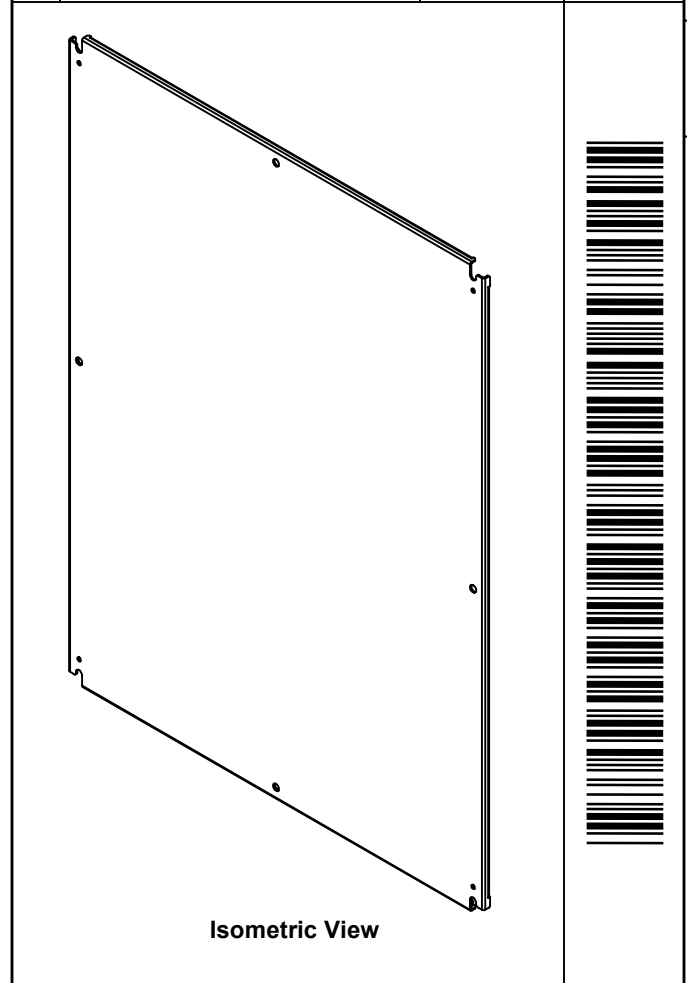
Ce dessin est confidentiel et ne doit pas être reproduit ou utilisé sans le consentement de EXM


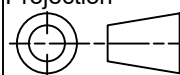
| Table 1 | | | FRONT VIEW |
|---------|--------|--------|----------------------------|
| CUT-OUT | XDIM | YDIM | DESCRIPTION |
| 1 | 17.000 | 0.875 | MTG STUD HOLE (RND Ø0.500) |
| 2 | 0.875 | 23.000 | MTG STUD HOLE (RND Ø0.500) |
| 3 | 33.125 | 23.000 | MTG STUD HOLE (RND Ø0.500) |
| 4 | 17.000 | 45.125 | MTG STUD HOLE (RND Ø0.500) |
| 5 | 0.875 | 1.875 | GROUND HOLE (RND Ø0.290) |
| 6 | 33.125 | 1.875 | GROUND HOLE (RND Ø0.290) |
| 7 | 0.875 | 44.125 | GROUND HOLE (RND Ø0.290) |
| 8 | 33.125 | 44.125 | GROUND HOLE (RND Ø0.290) |



All knockouts are actual size / Les disques défonçables sont grandeur réel

| No. | Revisions | Date | By/Par |
|-----|-----------|------|--------|
| | | | |
| | | | |
| | | | |
| | | | |
| | | | |



| | |
|--|---|
|  Tél: (450) 979-4373 Fax: (450) 979-4626 www.exmweb.com | Flatness Aplatissement Max 3.0mm |
| | Projection  |
| Customer Client | Date |
| Drawn By Dessiné Par BoxCad | Date 23-Jan-07 |
| Material Matière | See Part List |
| Color Couleur | See Part List |
| Finish Fini | See Part List |
| Description 881 SP - Inner Panel | Detail Rev. |
| Part Number Numéro Pièce 881 SP4836G | Rev. 0 |

