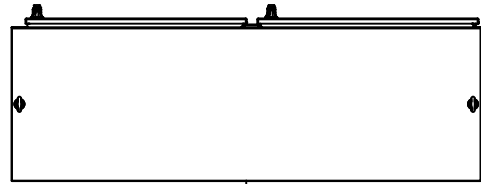
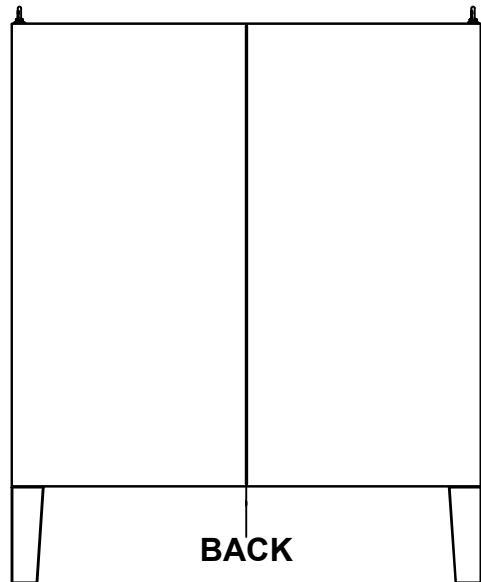


This drawing is confidential and must not be reproduced or used without the consent of EXM

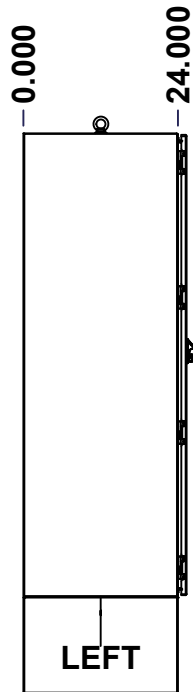
Ce dessin est confidentiel et ne doit pas être reproduit ou utilisé sans le consentement de EXM



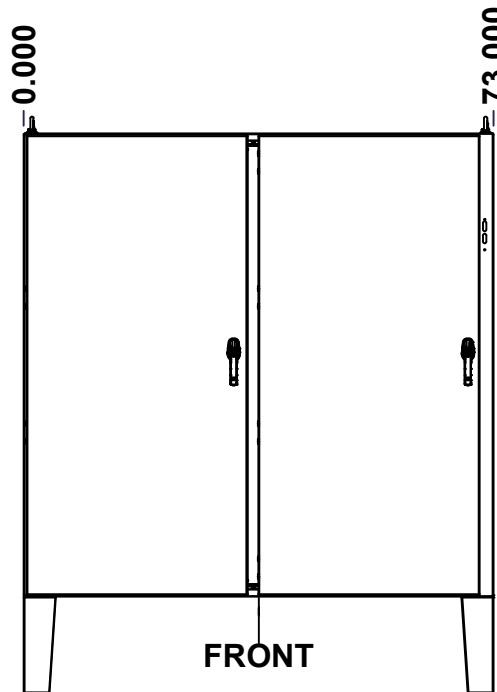
TOP



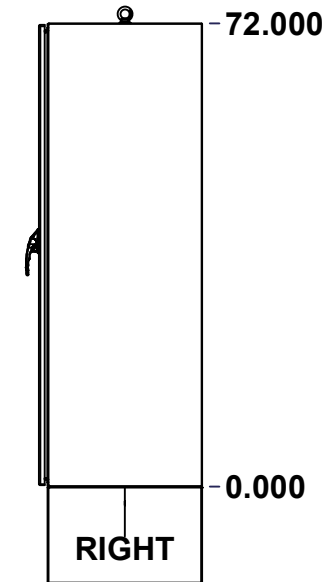
BACK



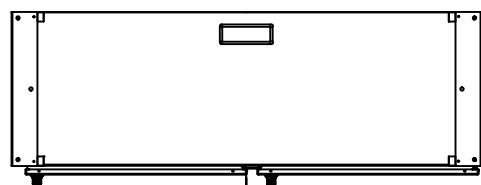
LEFT



FRONT

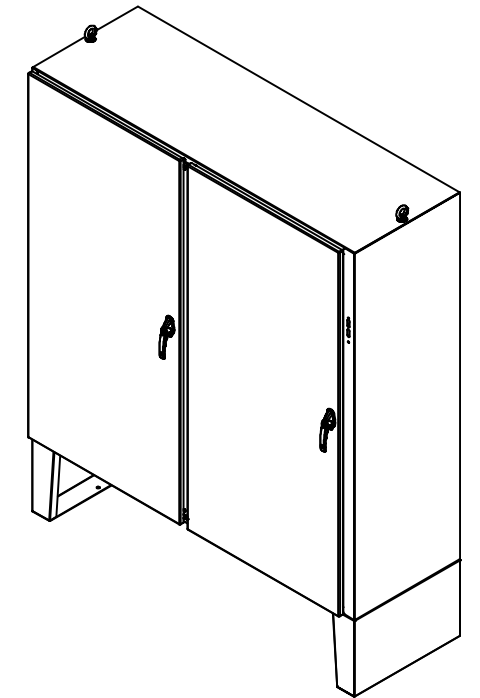


RIGHT



BOTTOM

No.	Revisions	Date	By/Par
1	update	11-Nov-24	Boxcad



Isometric View



Tél: (450) 979-4373
 Fax: (450) 979-4626
www.exmweb.com

Flatness
 Aplatissement
 Max 3.0mm
 Projection

Customer Client	Date
Drawn By / Dessiné Par: BoxCad: BoxCad	Date: 18-Mar-16
Material Matière: 12 Ga Cold Rolled A1008 CS Type B (2.5mm)	

Color Couleur: Asa-61 Grey	Finish Fini: Smooth
----------------------------	---------------------

Description: 5500UFD 72" x 73" x 24" Assembly	Detail Rev.
---	-------------

Part Number / Numéro Pièce: 5500UFD727324	Rev. 1
---	--------

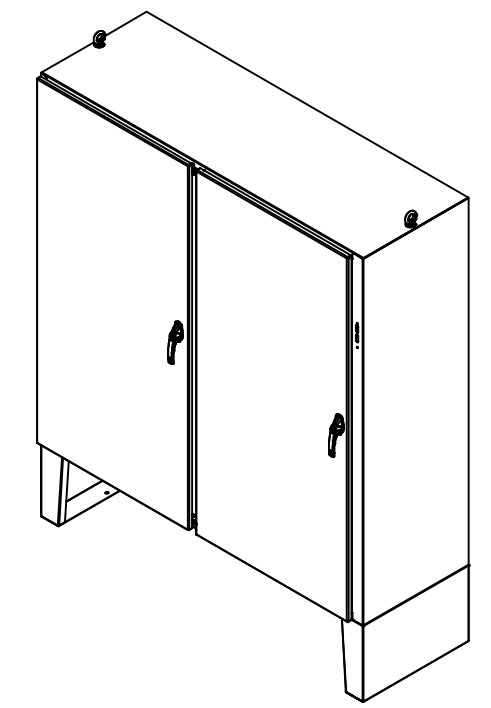
SEE BILL OF MATERIAL ON LAST PAGE

This drawing is confidential and must not be reproduced or used without the consent of EXM

Ce dessin est confidentiel et ne doit pas être reproduit ou utilisé sans le consentement de EXM

NOTE	
ITEM	DESCRIPTION
1	NEMA 12, 13 Enclosure (IP55)
2	C/W Standard ground studs on box and cover
3	C/W Standard door stiffener
4	C/W Standard inner panel (Included)
5	C/W Standard inner panel mounting studs
6	C/W Eyebolts sold separately (Installed by EXM)
7	C/W Mounting feet sold separately (Installed)
8	C/W Struts installed (Included)

No.	Revisions	Date	By/Par
1	update	11-Nov-24	Boxcad



Isometric View

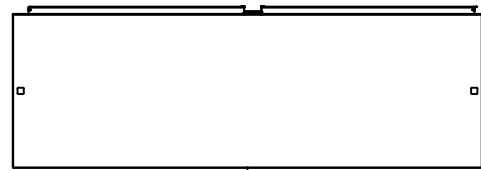
PACKING		
ITEM	QTY	DESCRIPTION
Cardboard sleeve	2	Top and Bottom
Cardboard strip	2	Between back of enclosure and inner panel
Plastic bag	1	To protect cover surface and inside gasket
Cardboard corner	4	To reinforced for the plastic strap tightening
Plastic strap - Black	2	To Squeeze 2 cardboard sleeve together
Packaging label	3	White label with PN
Plastic strap- Green	2	To secure the enclosure to the wood pallet
Wood Pallet	1	2" deeper and 3" larger than enclosure size

1	5500UFD727324MF	1	885 MFHD 15" x 24" Mounting Feet
1	880INTI	4	880 INTI - Interlock Post Kit
1	5500UFD727324GP	1	5500UFD Gland Plate
1	880EB14	2	Eye Bolt M14 (Pack of 2)
10	STK-Q-07320	0	Flange Lock Nut M10
1	885SP7272	0	885 SP7272 Inner Panel
10	STK-Q-07620	0	M10 Plastic Spacer 0.875"
1	5500UFD727324FD	1	5500UFD 72" x 73" Lock Door
1	5500UFD727324LD	1	5500UFD 72" x 73" Lock Door
1	5500UFD727324B	1	5500UFD 72" x 73" x 24" Body
8	STK-Q-04050-10	8	M6 x 10mm Hexagon Socket Head Machine Screw with Nyseal
Qty	Part Number	Rev	Description
Parts List			

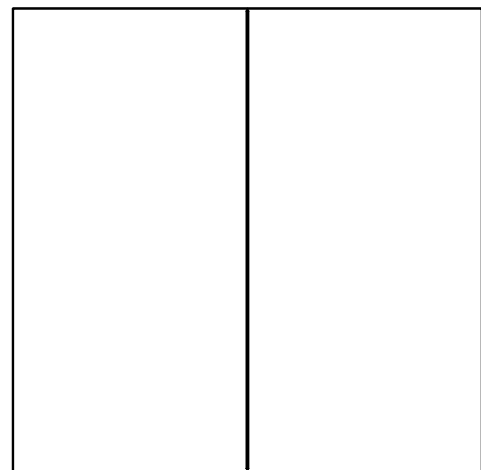
		Tél: (450) 979-4373 Fax: (450) 979-4626 www.exmweb.com		Flatness Aplatissement Max 3.0mm
Projection 		Customer Client Date		
Drawn By Dessiné Par BoxCad: BoxCad		Date 18-Mar-16		
Material Matière 12 Ga Cold Rolled A1008 CS Type B (2.5mm)		Color Couleur Asa-61 Grey		
Finish Fini Smooth		Description 5500UFD 72" x 73" x 24" Assembly		
Part Number Numéro Pièce 5500UFD727324		Detail Rev. Rev. 1		2 17

This drawing is confidential and must not be reproduced or used without the consent of EXM

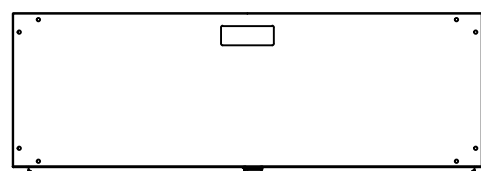
Ce dessin est confidentiel et ne doit pas être reproduit ou utilisé sans le consentement de EXM



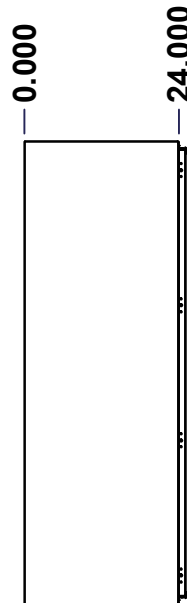
TOP



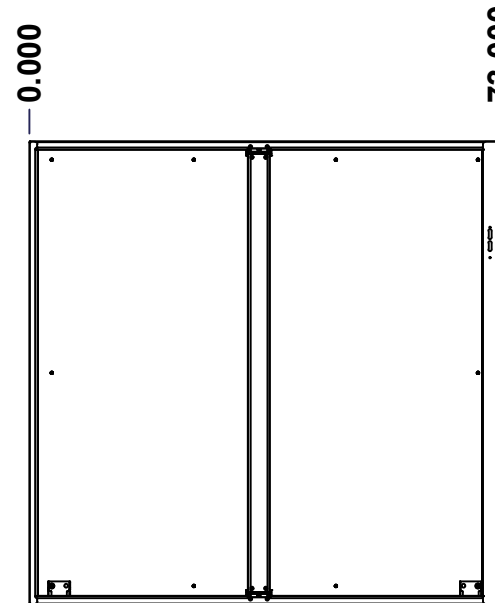
BACK



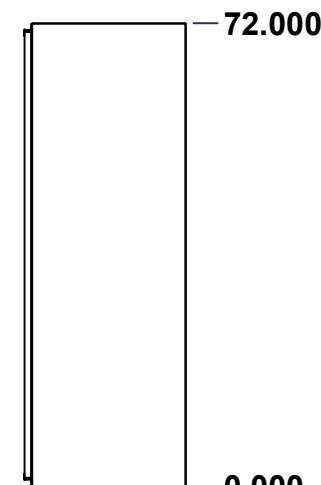
BOTTOM



LEFT

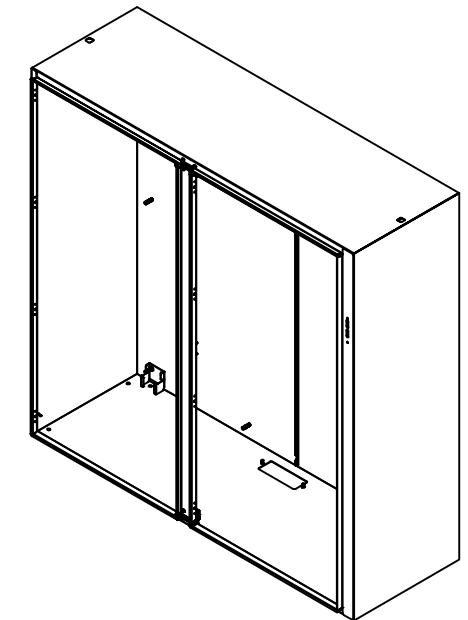


FRONT



RIGHT

No.	Revisions	Date	By/Par
1	update	11-Nov-24	Boxcad



Isometric View



Tél: (450) 979-4373
 Fax: (450) 979-4626
www.exmweb.com

Flatness
Aplatissement

Max 3.0mm

Projection



Customer Client	Date
Drawn By Dessiné Par BoxCad: BoxCad	Date 18-Mar-16
Material Matière 12 Ga Cold Rolled A1008 CS Type B (2.5mm)	
Color Couleur Asa-61 Grey	Finish Fini Smooth
Description 5500UFD 72" x 73" x 24" Body	Detail Rev.
Part Number Numéro Pièce 5500UFD727324B	Rev. 1

SEE BILL OF MATERIAL ON LAST PAGE

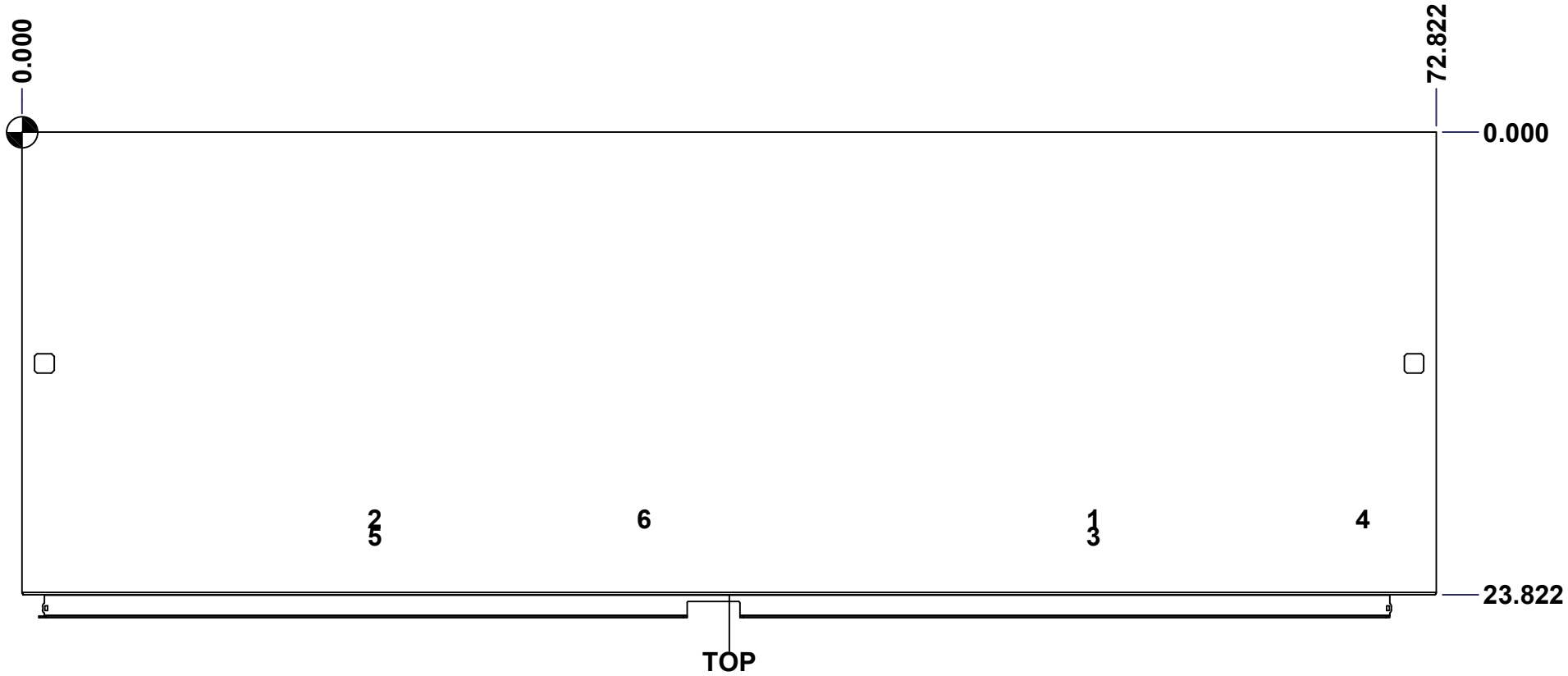
This drawing is confidential and must not be reproduced or used without the consent of EXM

Ce dessin est confidentiel et ne doit pas être reproduit ou utilisé sans le consentement de EXM

STANDARD FEATURES ARE NOT LISTED IN THIS HOLE TABLE

HOLE TABLE - TOP VIEW (CUSTOM FEATURE ONLY)

CUT-OUT	XDIM	YDIM	DESCRIPTION
1	54.911	19.911	Struts CR400 27.500" (Inside)
2	17.911	19.911	Struts CR400 27.500" (Inside)
3	54.911	20.840	STUDS M6 x 10mm (Inside)
4	68.777	19.911	STUDS M6 x 10mm (Inside)
5	17.911	20.840	STUDS M6 x 10mm (Inside)
6	31.777	19.911	STUDS M6 x 10mm (Inside)



	Description	Status	
	5500UFD 72" x 73" x 24" Body	(NULL)	
	Part Number Numéro Pièce	Rev.	4
	5500UFD727324B	1	17

This drawing is confidential and must not be reproduced or used without the consent of EXM

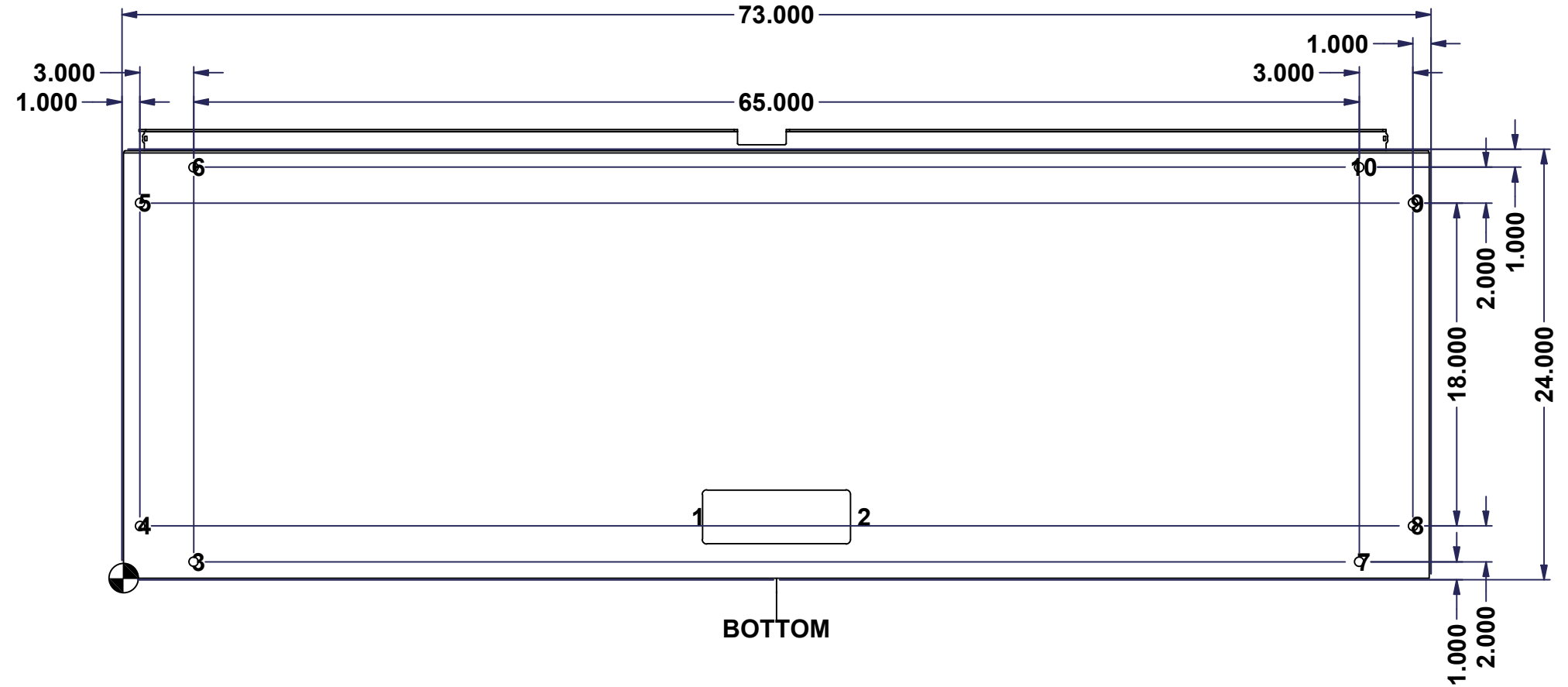
Ce dessin est confidentiel et ne doit pas être reproduit ou utilisé sans le consentement de EXM

STANDARD FEATURES ARE NOT LISTED IN THIS HOLE TABLE

HOLE TABLE - BOTTOM VIEW (CUSTOM FEATURE ONLY)

CUT-OUT	XDIM	YDIM	DESCRIPTION
1	31.786	3.411	GP STUD M6 x 16mm (Inside)
2	41.036	3.411	GP STUD M6 x 16mm (Inside)

3	3.911	0.911	RND Ø0.500
4	0.911	2.911	RND Ø0.500
5	0.911	20.911	RND Ø0.500
6	3.911	22.911	RND Ø0.500
7	68.911	0.911	RND Ø0.500
8	71.911	2.911	RND Ø0.500
9	71.911	20.911	RND Ø0.500
10	68.911	22.911	RND Ø0.500

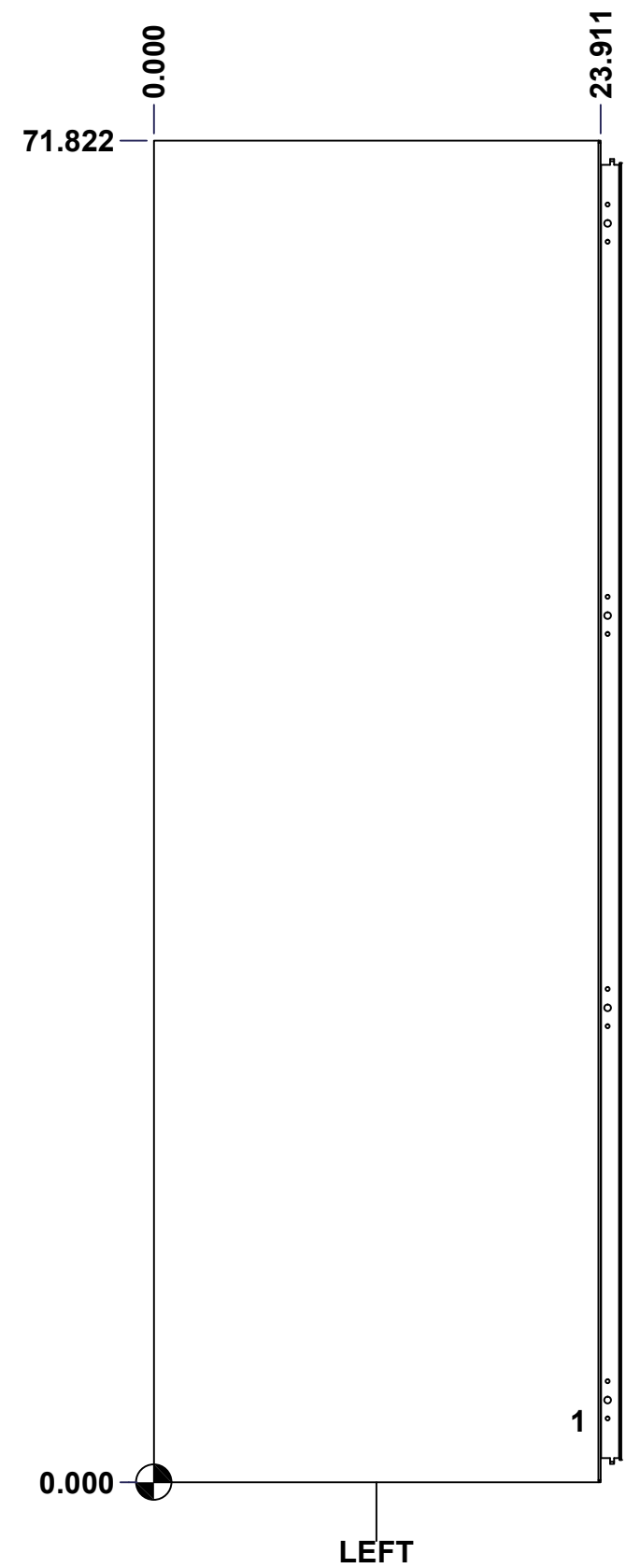


	Description	Status	
	5500UFD 72" x 73" x 24" Body	(NULL)	
	Part Number Numéro Pièce	Rev.	5
	5500UFD727324B	1	17

This drawing is confidential and must not be reproduced or used without the consent of EXM

Ce dessin est confidentiel et ne doit pas être reproduit ou utilisé sans le consentement de EXM

STANDARD FEATURES ARE NOT LISTED IN THIS HOLE TABLE			
HOLE TABLE - LEFT VIEW (CUSTOM FEATURE ONLY)			
CUT-OUT	XDIM	YDIM	DESCRIPTION
1	22.411	3.286	GND STUD M6 x 16mm (Inside)



	Description	Status	
	5500UFD 72" x 73" x 24" Body	(NULL)	
	Part Number Numéro Pièce	Rev.	6
	5500UFD727324B	1	17

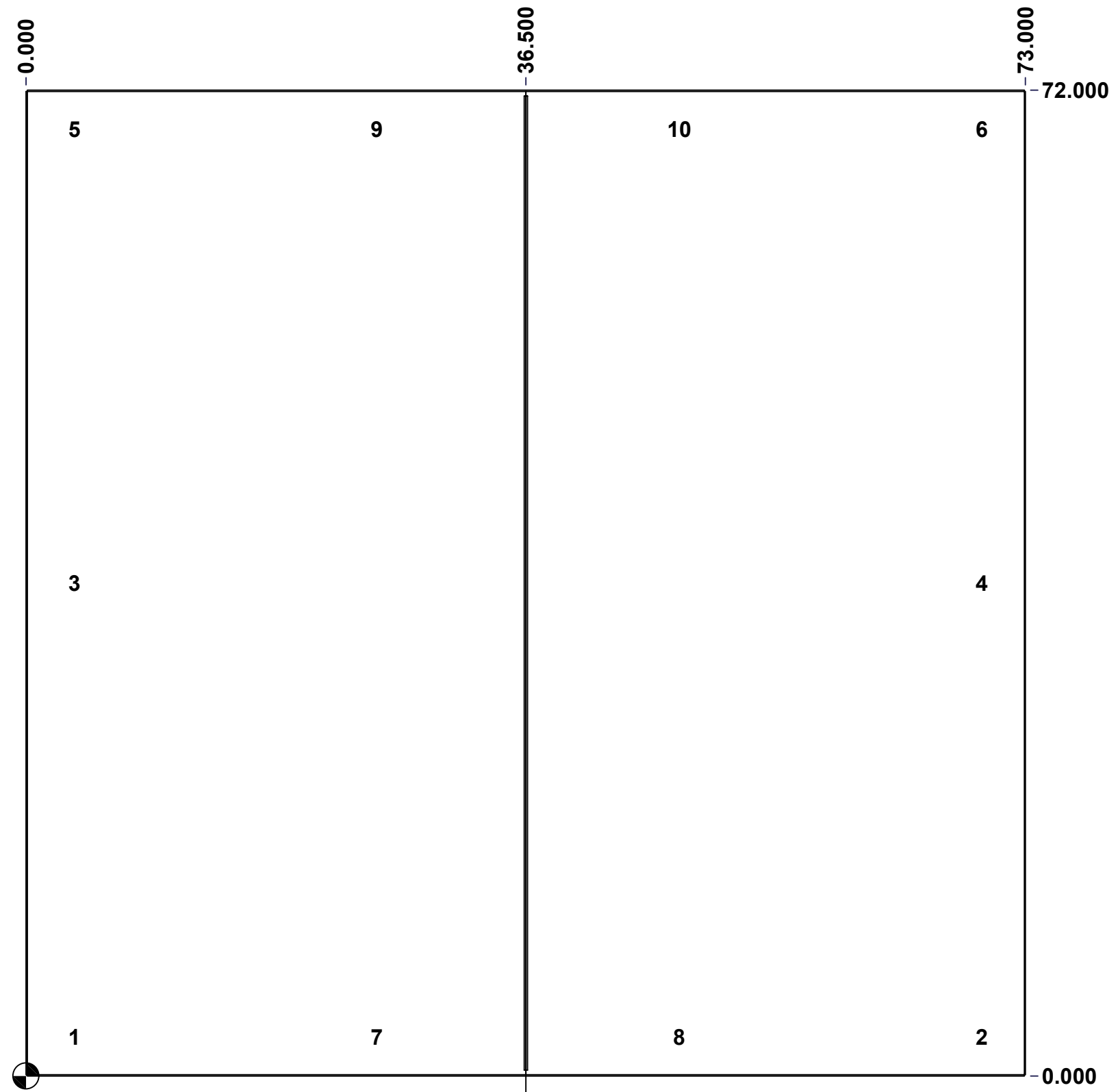
This drawing is confidential and must not be reproduced or used without the consent of EXM

Ce dessin est confidentiel et ne doit pas être reproduit ou utilisé sans le consentement de EXM

STANDARD FEATURES ARE NOT LISTED IN THIS HOLE TABLE

HOLE TABLE - BACK VIEW (CUSTOM FEATURE ONLY)

CUT-OUT	XDIM	YDIM	DESCRIPTION
1	3.250	2.875	IP STUD M10 x 40mm (Inside)
2	69.500	2.875	IP STUD M10 x 40mm (Inside)
3	3.250	36.000	IP STUD M10 x 40mm (Inside)
4	69.500	36.000	IP STUD M10 x 40mm (Inside)
5	3.250	69.125	IP STUD M10 x 40mm (Inside)
6	69.500	69.125	IP STUD M10 x 40mm (Inside)
7	25.333	2.875	IP STUD M10 x 40mm (Inside)
8	47.417	2.875	IP STUD M10 x 40mm (Inside)
9	25.333	69.125	IP STUD M10 x 40mm (Inside)
10	47.417	69.125	IP STUD M10 x 40mm (Inside)



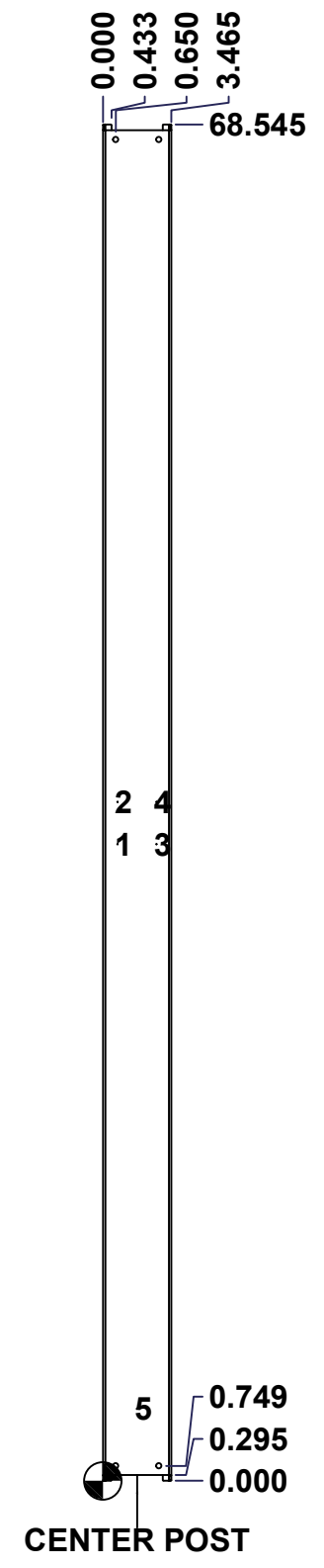
BACK

	Description	Status
	5500UFD 72" x 73" x 24" Body	(NULL)
	Part Number Numéro Pièce	Rev.
	5500UFD727324B	1 / 7

This drawing is confidential and must not be reproduced or used without the consent of EXM

Ce dessin est confidentiel et ne doit pas être reproduit ou utilisé sans le consentement de EXM

STANDARD FEATURES ARE NOT LISTED IN THIS HOLE TABLE			
HOLE TABLE - CENTER VIEW (CUSTOM FEATURE ONLY)			
CUT-OUT	XDIM	YDIM	DESCRIPTION
1	0.748	32.179	INTERLOCK STUD M6 x 16mm (Inside)
2	0.748	34.305	INTERLOCK STUD M6 x 16mm (Inside)
3	2.717	32.179	INTERLOCK STUD M6 x 16mm (Inside)
4	2.717	34.305	INTERLOCK STUD M6 x 16mm (Inside)
5	1.732	3.648	GND STUD M6 x 16mm (Inside)

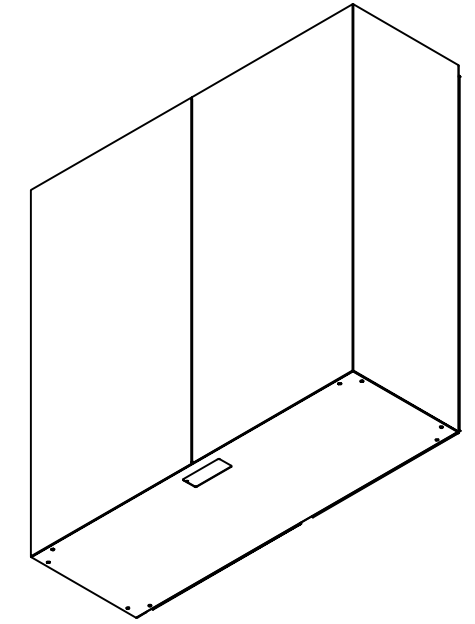


	Description	Status	
	5500UFD 72" x 73" x 24" Body	(NULL)	
	Part Number	Rev.	8
	Numéro Pièce	1	17
		5500UFD727324B	

This drawing is confidential and must not be reproduced or used without the consent of EXM

Ce dessin est confidentiel et ne doit pas être reproduit ou utilisé sans le consentement de EXM

No.	Revisions	Date	By/Par
1	update	11-Nov-24	Boxcad



Isometric View

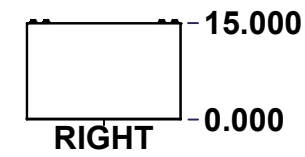
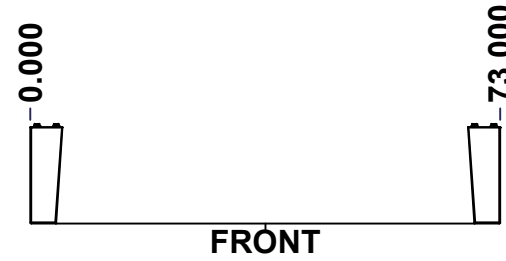
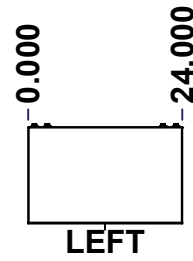
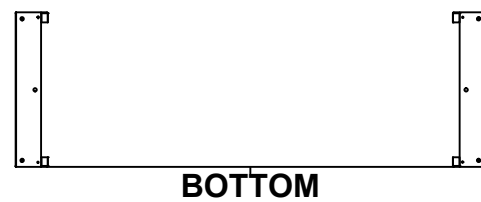
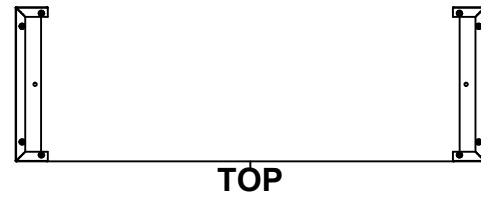
4	STK-Q-16030	0	Stud M6 x 10mm Steel
2	STK-Q-74910	0	Eyebolt Lifting Angle (15.500")
1	STK-P-02400S	0	Powder Paint (Asa-61 Grey / Smooth)
4	STK-Q-16055	1	M6 x 18mm Stud (No Paint Cap Required)
1	STK-A-75454	3	Center Post - Sealing Block with Latch Assembly (Large)
1	5500UFD727324CP-P	1	5500UFD 72" Center Post Part
10	STK-Q-16100	0	Stud M10 x 40mm Steel
2	STK-Q-07320	0	Flange Lock Nut M10
2	STK-Q-07618	1	5500 Series Inner Panel Support Bracket
1	5500UFD727324BT-P	1	5500UFD 73" x 24" Bottom Part
1	5500UFD727324T-P	1	5500UFD 73" x 24" Top Part
1	5500UFD727324RS-P	1	5500UFD 72" x 73" Right Part
1	5500UFD727324LS-P	1	5500UFD 72" x 73" Left Part
1	5500UFD727324BR-P	1	5500UFD 72" x 73" Back Right Part
1	5500UFD727324BL-P	1	5500UFD 72" x 73" Back Left Part
2	5500UFD727324_CR400 MS_27.5	0	Commercial Roll Mild Steel (27.5in long)
4	STK-Q-16080	0	Ground Stud M6 x 16mm Steel

Qty	Part Number	Rev	Description
Parts List			

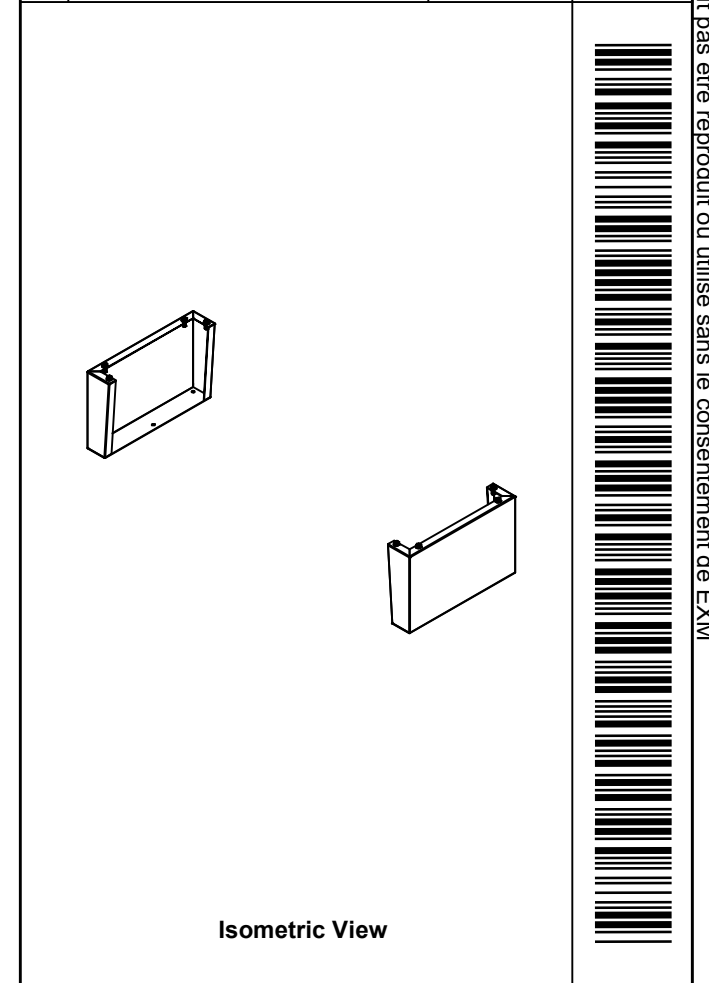
Tél: (450) 979-4373 Fax: (450) 979-4626 www.exmweb.com	Flatness Aplatissement
	Max 3.0mm
	Projection
	Customer Client Date
Drawn By Dessiné Par	BoxCad: BoxCad Date 18-Mar-16
Material Matière	12 Ga Cold Rolled A1008 CS Type B (2.5mm)
Color Couleur	Asa-61 Grey Finish Fini Smooth
Description 5500UFD 72" x 73" x 24" Body	Detail Rev.
Part Number Numéro Pièce 5500UFD727324B	Rev. 9 1


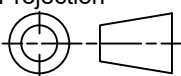
This drawing is confidential and must not be reproduced or used without the consent of EXM

Ce dessin est confidentiel et ne doit pas être reproduit ou utilisé sans le consentement de EXM



No.	Revisions	Date	By/Par
1	update	11-Nov-24	Boxcad



 Tél: (450) 979-4373 Fax: (450) 979-4626 www.exmweb.com		Flatness Aplatissement Max 3.0mm Projection 
Customer Client	Date	
Drawn By Dessiné Par	BoxCad: BoxCad	Date 18-Mar-16
Material Matière	12 Ga Cold Rolled A1008 CS Type B (2.5mm)	
Color Couleur	Asa-61 Grey	Finish Fini Smooth
Description 885 MFHD 15" x 24" Mounting Feet		Detail Rev.
Part Number Numéro Pièce	Rev. 1	10 17

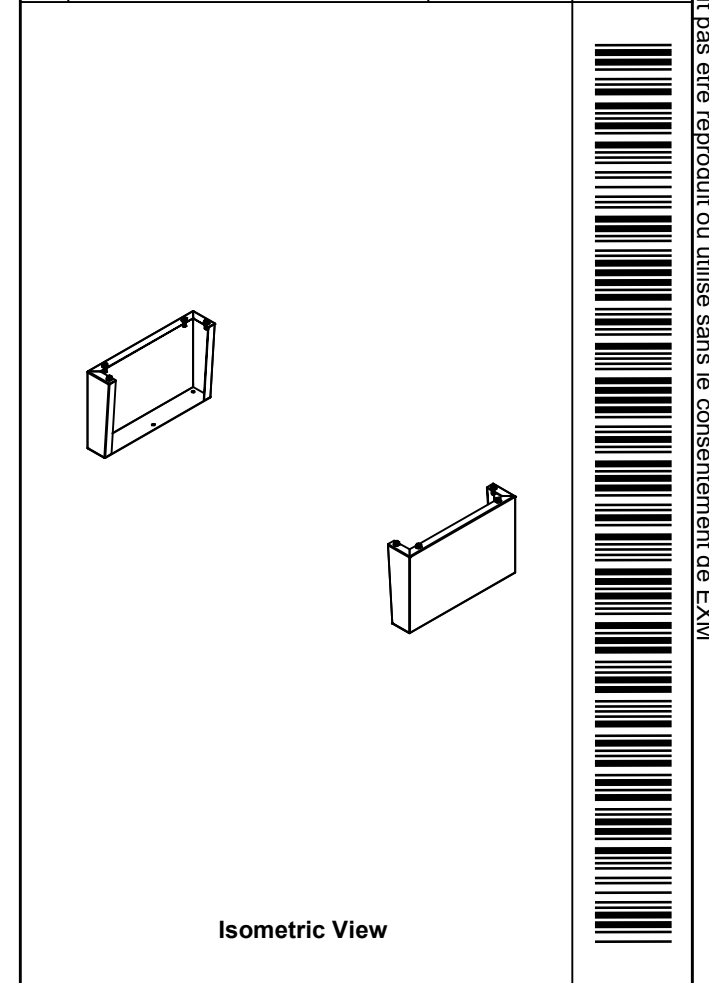
SEE BILL OF MATERIAL ON LAST PAGE


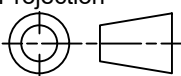
5500UFD727324MF

This drawing is confidential and must not be reproduced or used without the consent of EXM

Ce dessin est confidentiel et ne doit pas être reproduit ou utilisé sans le consentement de EXM

No.	Revisions	Date	By/Par
1	update	11-Nov-24	Boxcad

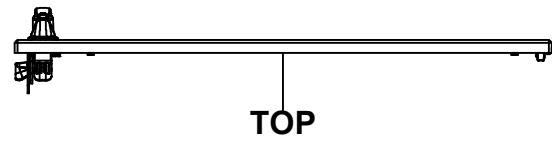


 Tél: (450) 979-4373 Fax: (450) 979-4626 www.exmweb.com		Flatness Aplatissement Max 3.0mm Projection 
Customer Client	Date	
Drawn By Dessiné Par	BoxCad: BoxCad	Date 18-Mar-16
Material Matière	12 Ga Cold Rolled A1008 CS Type B (2.5mm)	
Color Couleur	Asa-61 Grey	Finish Fini Smooth
Description		Detail Rev.
885 MFHD 15" x 24" Mounting Feet		
Part Number Numéro Pièce	Rev.	11
5500UFD727324MF	1	17

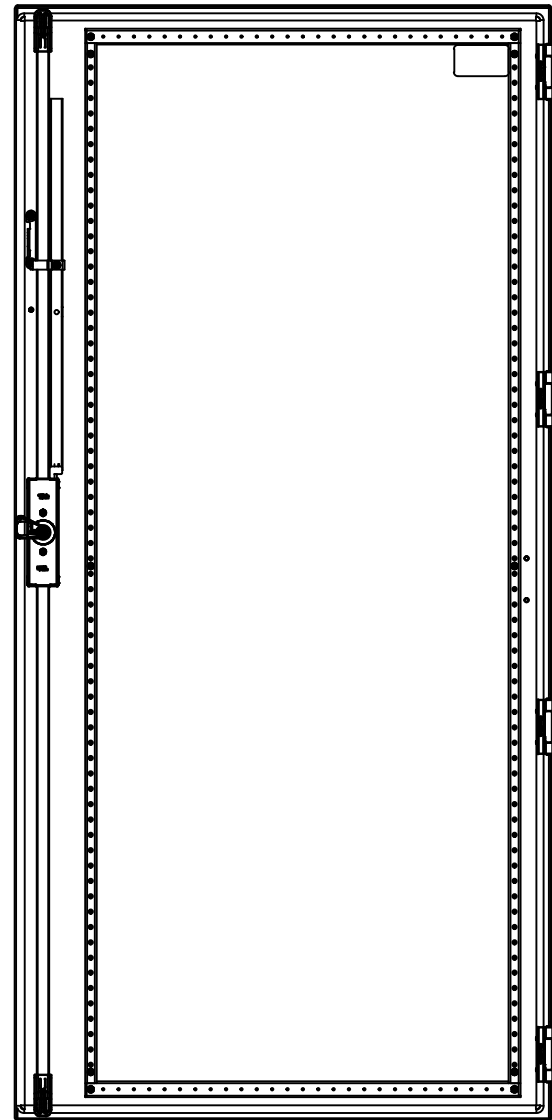
Qty	Part Name	Rev	Description
1	STK-P-02400S	0	Powder Paint (Asa-61 Grey / Smooth)
8	RIVET_NUT_M10_FH_CE	0	Rivet Nut M10 (Low Profile Close End)
1	5500UFD727324MFR-P	1	885 MFHD 15" x 24" Right Mounting Feet Part
1	5500UFD727324MFL-P	1	885 MFHD 15" x 24" Left Mounting Feet Part
4	STK-K-11600	2	885 MF Accessory Kit
Parts List			

This drawing is confidential and must not be reproduced or used without the consent of EXM

Ce dessin est confidentiel et ne doit pas être reproduit ou utilisé sans le consentement de EXM



TOP



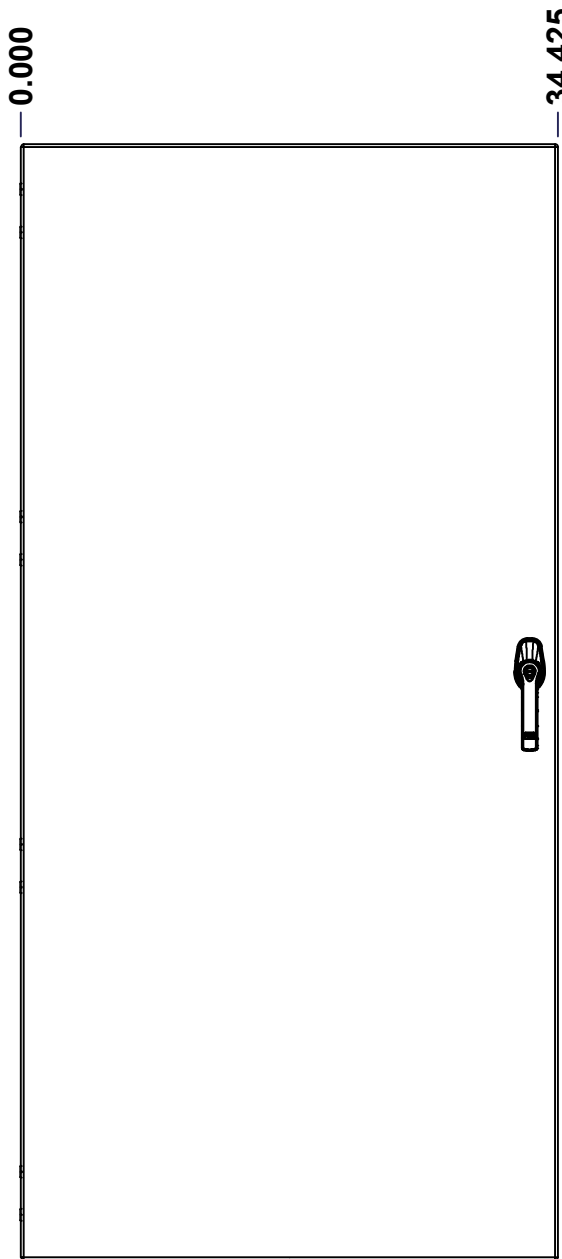
BACK



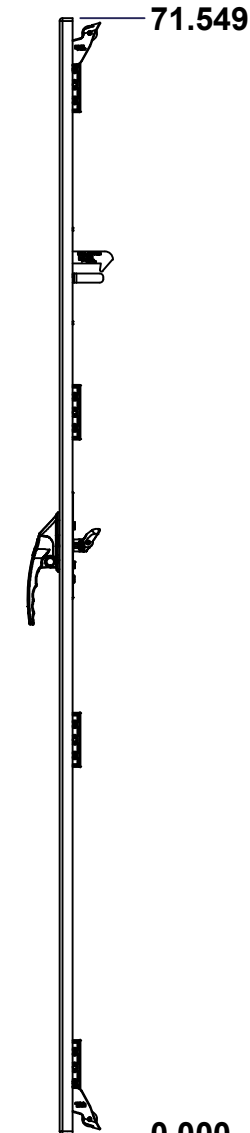
BOTTOM



LEFT

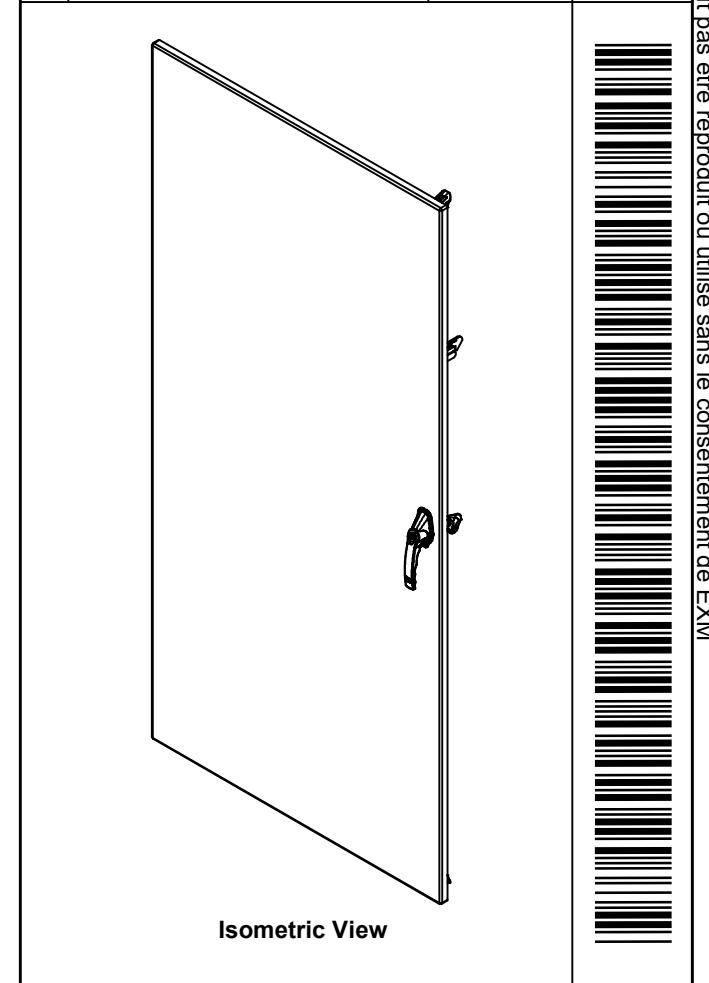



FRONT



RIGHT

No.	Revisions	Date	By/Par
1	update	11-Nov-24	Boxcad



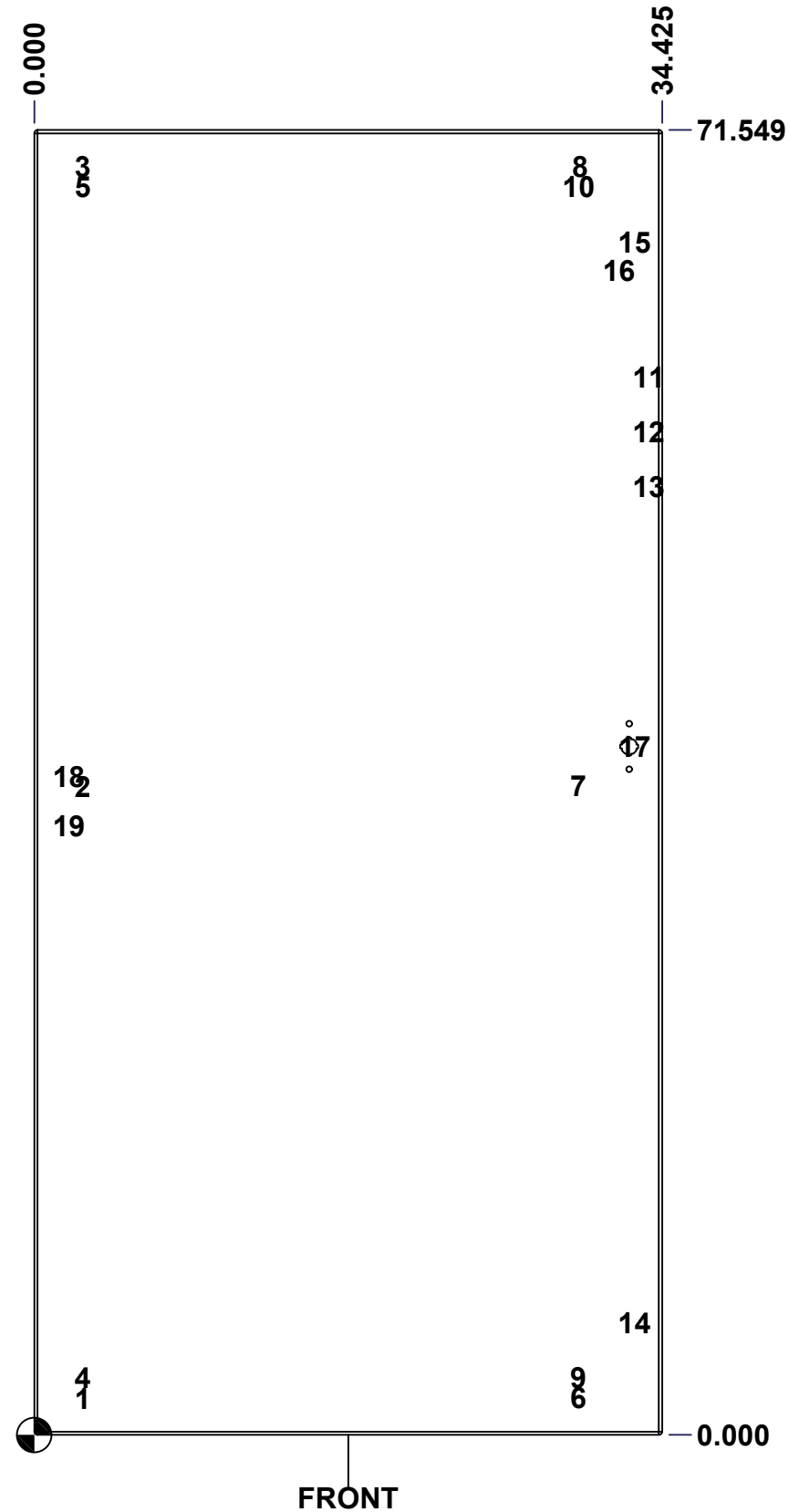
 Tél: (450) 979-4373 Fax: (450) 979-4626 www.exmweb.com		Flatness Aplatissement
		Max 3.0mm
Customer Client		Date
Drawn By Dessiné Par BoxCad: BoxCad		Date 18-Mar-16
Material Matière 12 Ga Cold Rolled A1008 CS Type B (2.5mm)		
Color Couleur Asa-61 Grey	Finish Fini Smooth	
Description 5500UFD 72" x 73" Lock Door		Detail Rev.
Part Number Numéro Pièce 5500UFD727324LD		Rev. 12
		1 17

SEE BILL OF MATERIAL ON LAST PAGE

This drawing is confidential and must not be reproduced or used without the consent of EXM

Ce dessin est confidentiel et ne doit pas être reproduit ou utilisé sans le consentement de EXM

STANDARD FEATURES ARE NOT LISTED IN THIS HOLE TABLE			
HOLE TABLE - FRONT VIEW (CUSTOM FEATURE ONLY)			
CUT-OUT	XDIM	YDIM	DESCRIPTION
1	2.375	2.028	STUD M6 x 18mm (Inside)
2	2.375	35.580	STUD M6 x 18mm (Inside)
3	2.375	69.521	STUD M6 x 18mm (Inside)
4	2.375	3.139	STUD M6 x 18mm (Inside)
5	2.375	68.409	STUD M6 x 18mm (Inside)
6	29.544	2.028	STUD M6 x 18mm (Inside)
7	29.544	35.580	STUD M6 x 18mm (Inside)
8	29.544	69.521	STUD M6 x 18mm (Inside)
9	29.544	3.139	STUD M6 x 18mm (Inside)
10	29.544	68.409	STUD M6 x 18mm (Inside)
11	33.380	58.011	STUD M6 x 18mm (Inside)
12	33.380	55.011	STUD M6 x 18mm (Inside)
13	33.380	52.011	STUD M6 x 18mm (Inside)
14	32.603	6.179	LARGE CBAR GUIDE (Inside)
15	32.603	65.370	LARGE CBAR GUIDE (Inside)
16	31.747	63.870	LARGE CBAR GUIDE (Inside)
-----	-----	-----	-----
17	32.613	37.743	HANDLE 885 ESL2A-APHD @ 0.0°
18	1.610	36.082	STUDS M6 x 18mm (Inside)
19	1.610	33.404	STUDS M6 x 18mm (Inside)



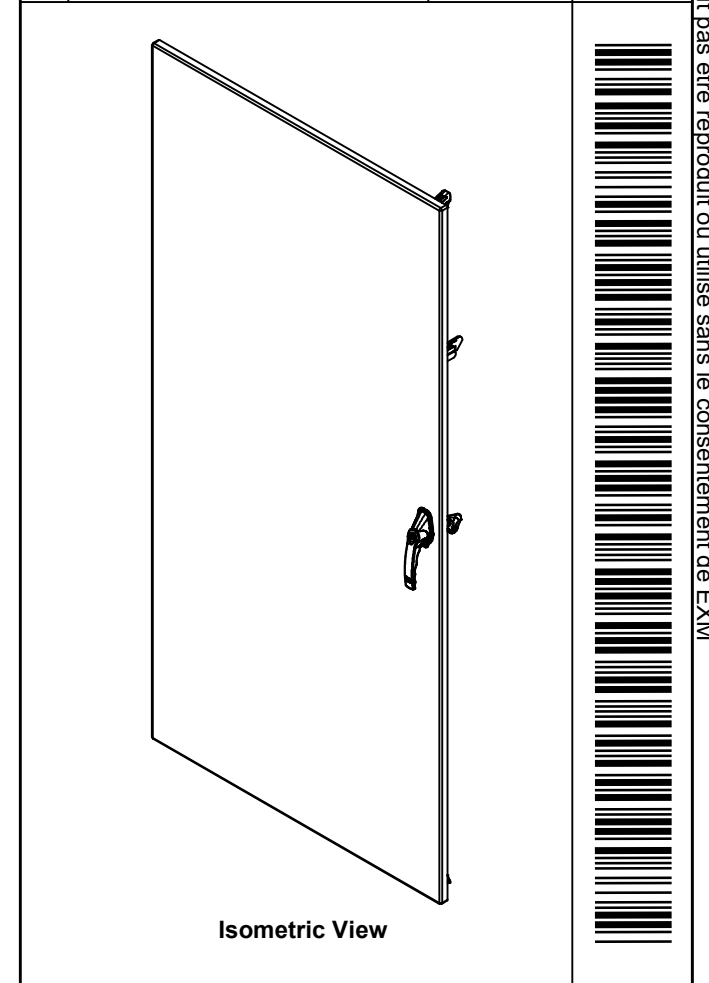
FRONT

	Description	Status	
	5500UFD 72" x 73" Lock Door	(NULL)	
	Part Number Numéro Pièce	Rev.	13
	5500UFD727324LD	1	17

This drawing is confidential and must not be reproduced or used without the consent of EXM

Ce dessin est confidentiel et ne doit pas être reproduit ou utilisé sans le consentement de EXM

No.	Revisions	Date	By/Par
1	update	11-Nov-24	Boxcad




 Tél: (450) 979-4373
 Fax: (450) 979-4626
www.exmweb.com

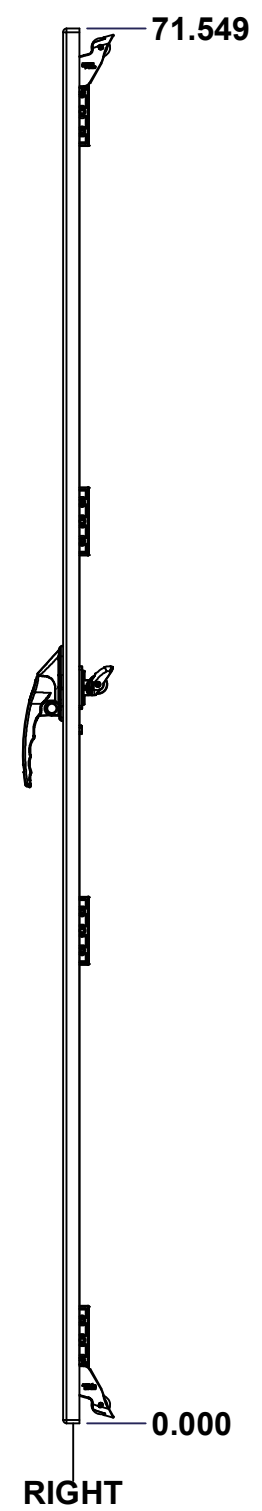
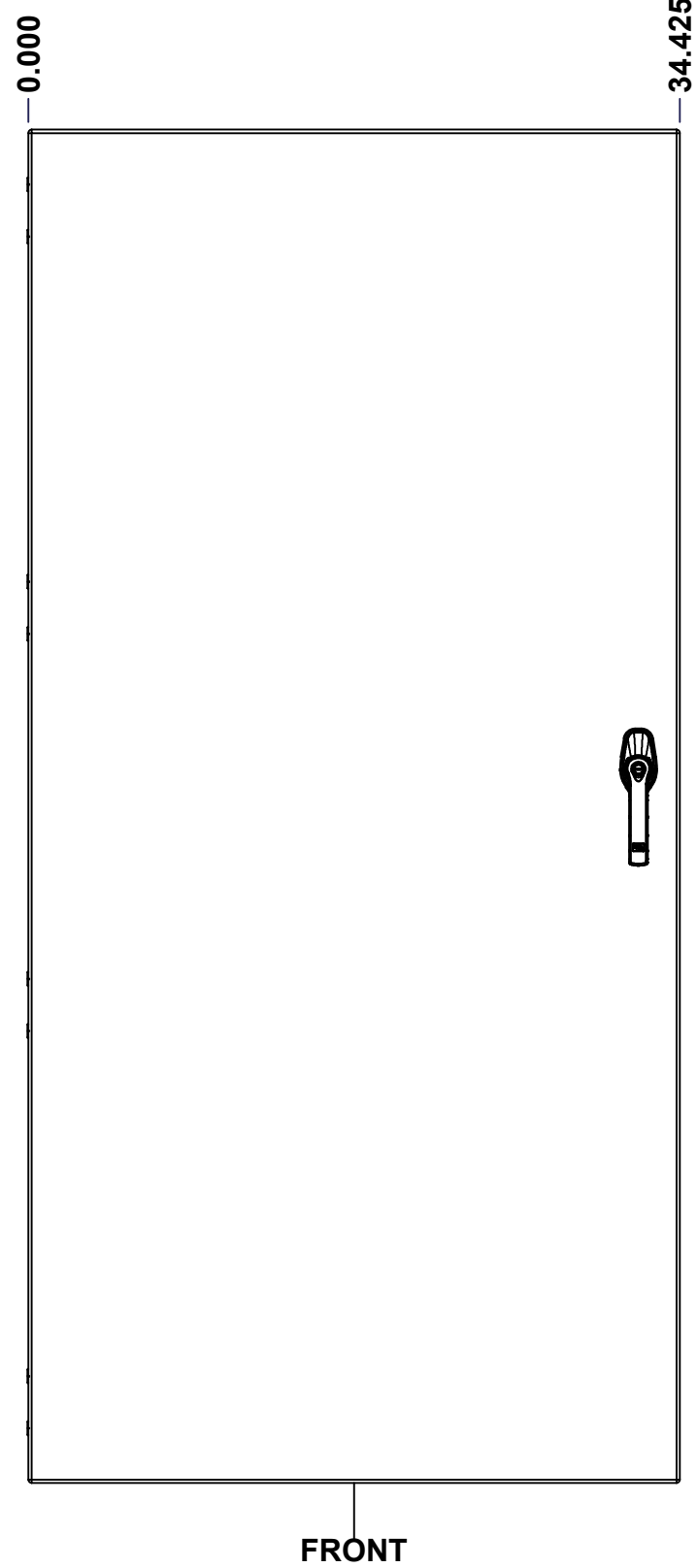
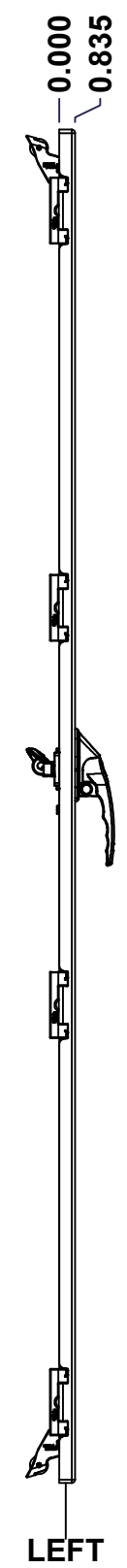
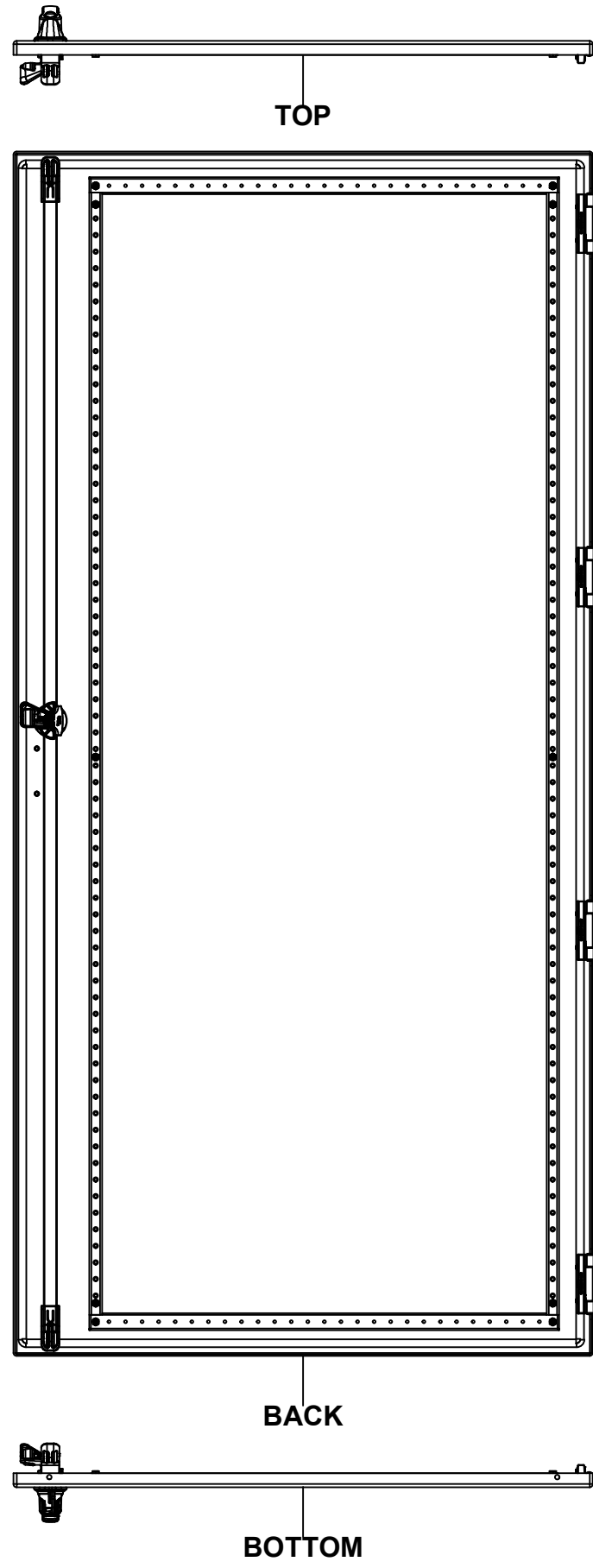
Flatness
Aplatissement
 Max 3.0mm
Projection


1	STK-K-55072	0	5500 UCD and UFD 72" Locking Mechanism Kit
2	STK-Q-16050	1	Stud M6 x 18mm Steel
1	885ESL2A-APHD	1	885 ESL2A-APHD - Zinc Die Cast L-Handle Padlockable Assy - Slot Cylinder
1	STK-P-02400S	0	Powder Paint (Asa-61 Grey / Smooth)
1	STK-S-00100	0	3.5" x 2" Silver Milar Flexcon Sticker
1	5500UFD727324DS1	1	5500UFD 72" x 73" Door Stiffener
3	STK-Q-16410	0	Guide Stud - Largel (No Paint Cap Required)
13	STK-Q-16055	1	M6 x 18mm Stud (No Paint Cap Required)
1	5500UFD727324LDG	1	5500UFD 72" x 73" Lock Door Gasket
1	5500UFD727324LD-P	1	5500UFD 72" x 73" Lock Door Part
4	STK-K-09860	7	Cabinet Hinge with Captive Pins
QTY	Part Number	Rev	Description
Parts List			

Customer Client	Date
Drawn By Dessiné Par BoxCad: BoxCad	Date 18-Mar-16
Material Matière 12 Ga Cold Rolled A1008 CS Type B (2.5mm)	
Color Couleur Asa-61 Grey	Finish Fini Smooth
Description 5500UFD 72" x 73" Lock Door	Detail Rev.
Part Number Numéro Pièce 5500UFD727324LD	Rev. 1 / 14

This drawing is confidential and must not be reproduced or used without the consent of EXM

Ce dessin est confidentiel et ne doit pas être reproduit ou utilisé sans le consentement de EXM



No.	Revisions	Date	By/Par
1	update	11-Nov-24	Boxcad

Isometric View

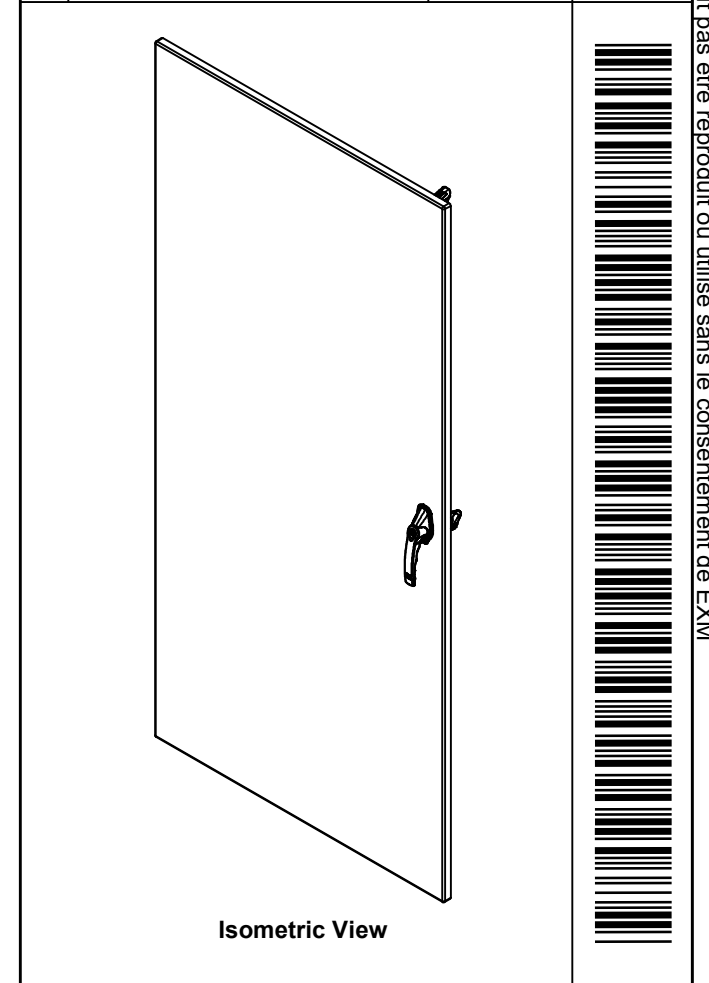
Tél: (450) 979-4373 Fax: (450) 979-4626 www.exmweb.com		Flatness Aplatissement
		Max 3.0mm
Customer Client		Date
Drawn By Dessiné Par BoxCad: BoxCad		Date 18-Mar-16
Material Matière 12 Ga Cold Rolled A1008 CS Type B (2.5mm)		
Color Couleur	Asa-61 Grey	Finish Fini Smooth
Description 5500UFD 72" x 73" Lock Door		Detail Rev.
Part Number Numéro Pièce 5500UFD727324FD		Rev. 15 1 / 17

SEE BILL OF MATERIAL ON LAST PAGE

This drawing is confidential and must not be reproduced or used without the consent of EXM


Ce dessin est confidentiel et ne doit pas être reproduit ou utilisé sans le consentement de EXM

No.	Revisions	Date	By/Par
1	update	11-Nov-24	Boxcad



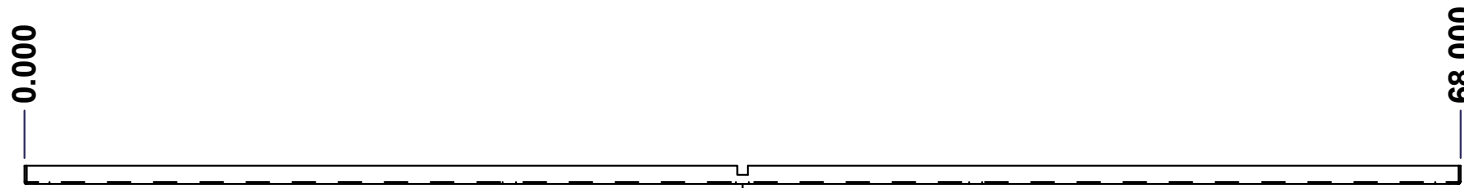
2	STK-Q-16050	1	Stud M6 x 18mm Steel
1	STK-Q-47542	1	5500 DDS Lower Closing Bar 72"
1	STK-Q-47532	0	5500 DDS Upper Closing Bar 72"
1	STK-A-50538	3	9500 Handle Cam Assembly (Right Side, Grip 36mm)
1	STK-Q-90051	3	5412 ES - Handle Cam Spacer
1	885ESL2A-APHD	1	885 ESL2A-APHD - Zinc Die Cast L-Handle Padlockable Assy - Slot Cylinder
1	STK-P-02400S	0	Powder Paint (Asa-61 Grey / Smooth)
1	5500UFD727324DS1	1	5500UFD 72" x 73" Door Stiffener
2	STK-Q-16410	0	Guide Stud - Largel (No Paint Cap Required)
10	STK-Q-16055	1	M6 x 18mm Stud (No Paint Cap Required)
1	5500UFD727324FDG	1	5500UFD 72" x 73" Flange Door Gasket
1	5500UFD727324FD-P	1	5500UFD 72" x 73" Lock Door Part
2	STK-A-90025	0	9500 - Cabinet Closing Bar End (Large)
4	STK-K-09860	7	Cabinet Hinge with Captive Pins
2	STK-Q-07220	1	M6 Nylon Insert Lock Nut

QTY	Part Number	Rev	Description
Parts List			

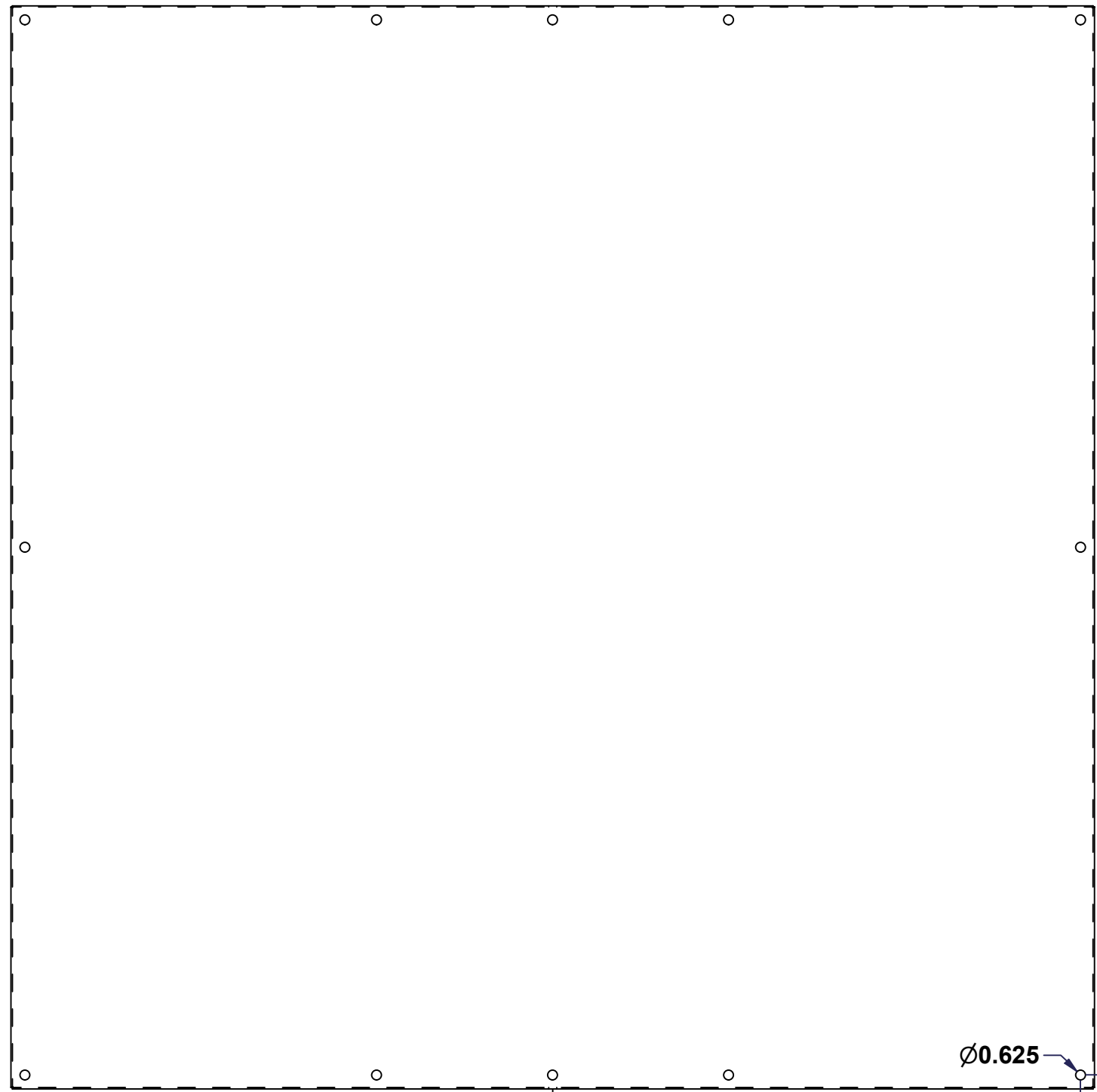
 Tél: (450) 979-4373 Fax: (450) 979-4626 www.exmweb.com		Flatness Aplatissement	
		Max 3.0mm	
Customer Client		Date	
Drawn By Dessiné Par BoxCad: BoxCad		Date 18-Mar-16	
Material Matière 12 Ga Cold Rolled A1008 CS Type B (2.5mm)			
Color Couleur Asa-61 Grey		Finish Fini Smooth	
Description 5500UFD 72" x 73" Lock Door			Detail Rev.
Part Number Numéro Pièce 5500UFD727324FD		Rev. 1	17 / 17

This drawing is confidential and must not be reproduced or used without the consent of EXM

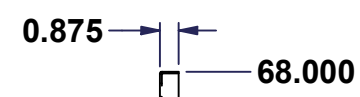
Ce dessin est confidentiel et ne doit pas être reproduit ou utilisé sans le consentement de EXM



TOP



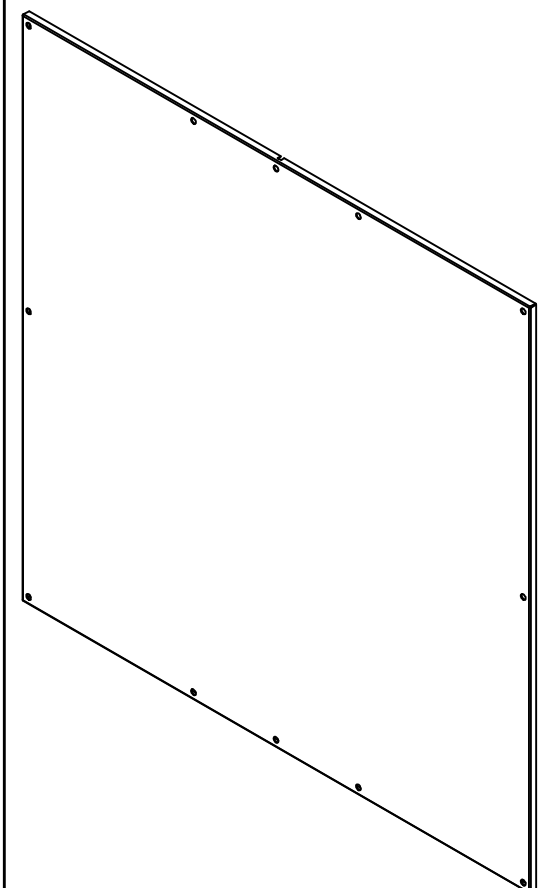
FRONT



RIGHT


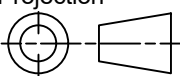
SEE BILL OF MATERIAL ON LAST PAGE

No.	Revisions	Date	By/Par



Isometric View

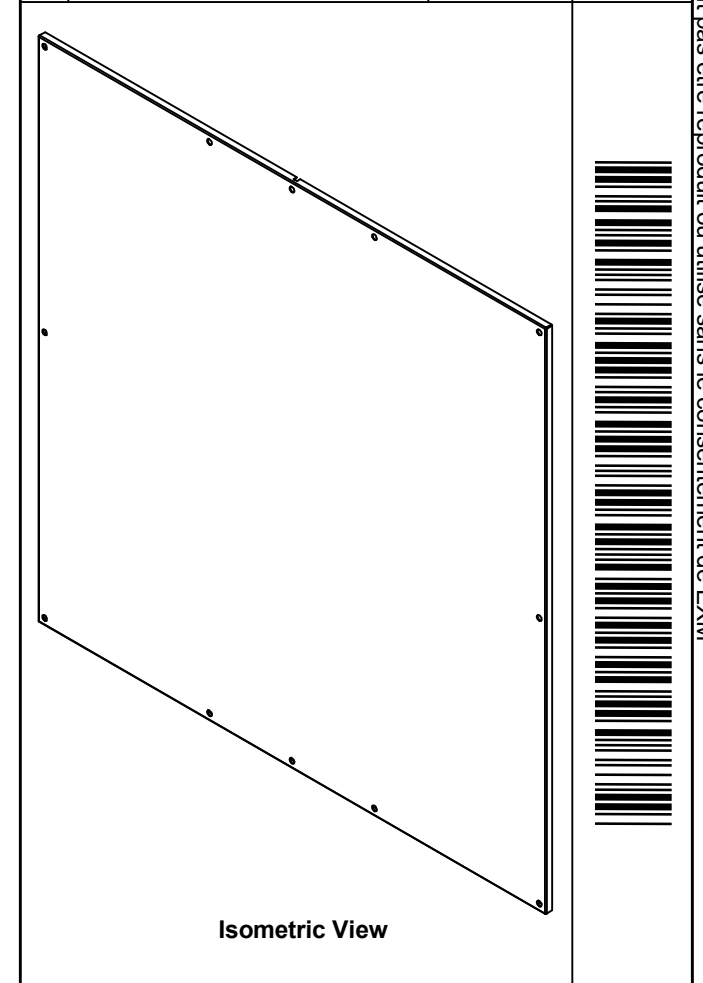



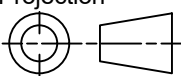
 Tél: (450) 979-4373 Fax: (450) 979-4626 www.exmweb.com	Flatness Aplatissement Max 3.0mm
	Projection 
Customer Client	Date
Drawn By Dessiné Par BoxCad	Date 04/11/2009
Material Matière 12 Ga Cold Rolled A1008 CS Type B (2.5mm)	
Color Couleur White RAL9003	Finish Fini Smooth
Description 885 SP7272 Inner Panel	
Part Number Numéro Pièce 885SP7272	Detail Rev. Rev. 1 0 2

This drawing is confidential and must not be reproduced or used without the consent of EXM

Ce dessin est confidentiel et ne doit pas être reproduit ou utilisé sans le consentement de EXM

No.	Revisions	Date	By/Par



 Tél: (450) 979-4373 Fax: (450) 979-4626 www.exmweb.com	Flatness Aplatissement Max 3.0mm
	Projection 
Customer Client	Date
Drawn By / Dessiné Par: BoxCad	Date: 04/11/2009
Material / Matière: 12 Ga Cold Rolled A1008 CS Type B (2.5mm)	
Color / Couleur: White RAL9003	Finish / Fini: Smooth
Description: 885 SP7272 Inner Panel	Detail Rev.
Part Number / Numéro Pièce: 885SP7272	Rev. 0 / 2

Qty	Part Number	Rev	Description
1	STK-P-02401S	0	Powder Paint (White / Smooth)
1	885SP7272-P	0	885 SP7272 Inner Panel Part
Parts List			