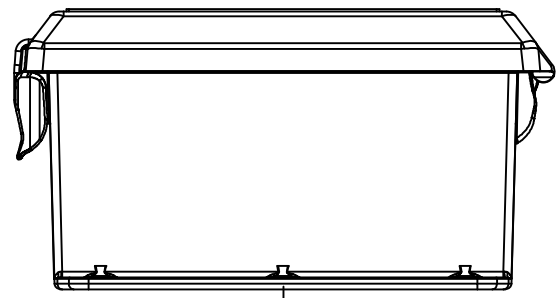
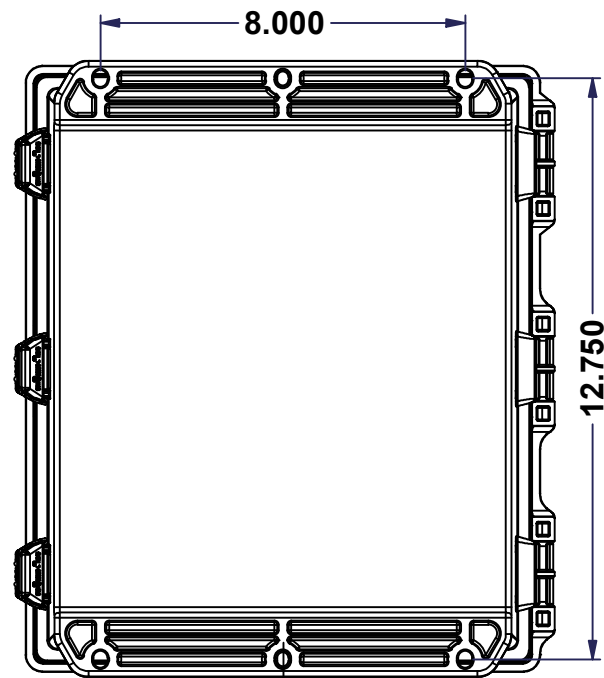


This drawing is confidential and must not be reproduced or used without the consent of EXM

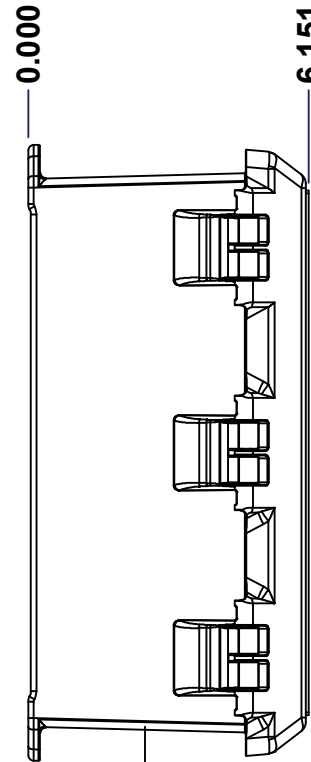
Ce dessin est confidentiel et ne doit pas être reproduit ou utilisé sans le consentement de EXM



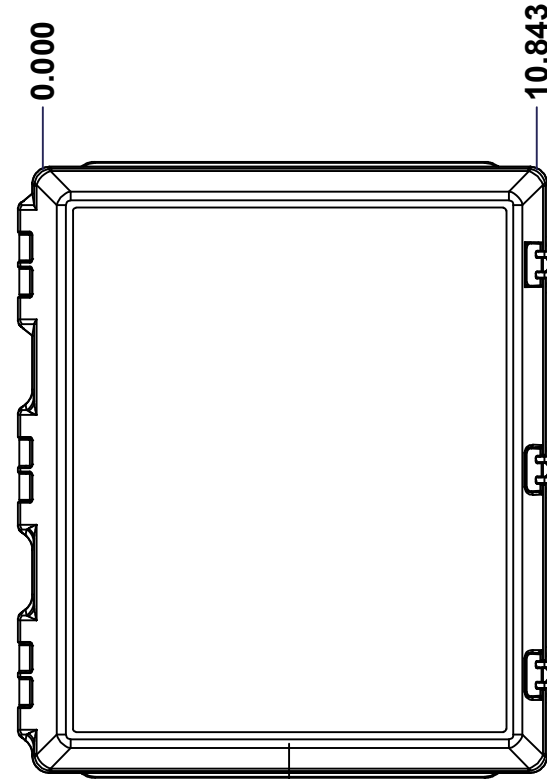
TOP



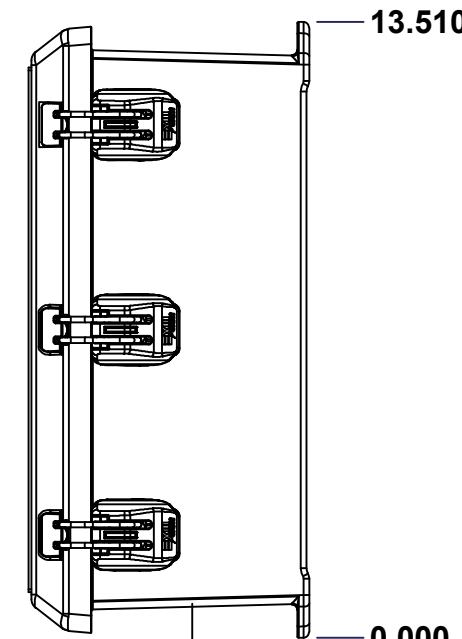
BACK



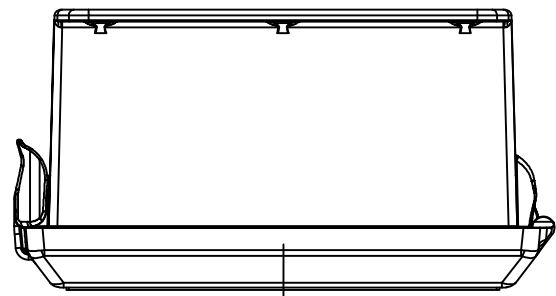
LEFT



FRONT

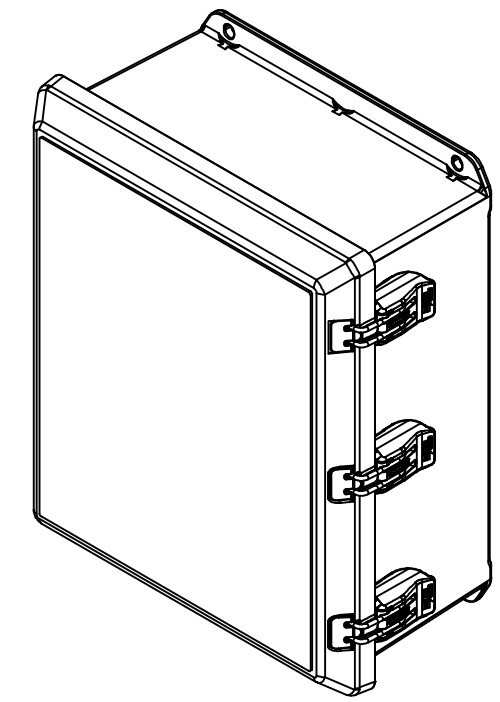


RIGHT




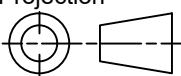
BOTTOM

| No. | Revisions | Date | By/Par |
|-----|-----------|------|--------|
|     |           |      |        |
|     |           |      |        |
|     |           |      |        |
|     |           |      |        |



Isometric View



|  |                            |   |
|--|----------------------------|---|
|  Tél: (450) 979-4373<br>Fax: (450) 979-4626<br><a href="http://www.exmweb.com">www.exmweb.com</a> | Flatness<br>Aplatissement  | Max 3.0mm   |
|  | Projection                 |  |
| Customer<br>Client   | Date                       |   |
| Drawn By<br>Dessiné Par  | BoxCad: BoxCad             | Date 14-Jan-25  |
| Material<br>Matière  | Polybutylene Terephthalate |   |
| Color<br>Couleur   | Light Grey RAL7035         | Finish<br>Fini MT-11020   |
| Description  | Detail Rev.                |   |
| 5600ESPLQW 12" x 10" x 5" Assembly   |                            |   |
| Part Number<br>Numéro Pièce  | Rev.                       | 1   |
| 5600ESPLQW121005   | 0                          | 7   |

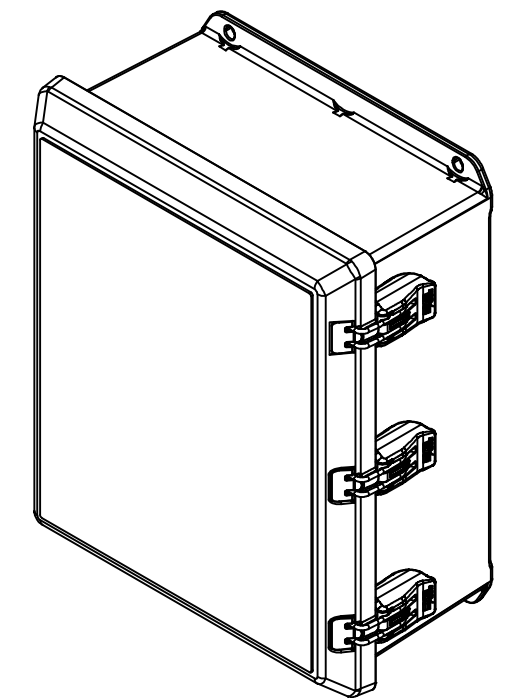
SEE BILL OF MATERIAL ON LAST PAGE

This drawing is confidential and must not be reproduced or used without the consent of EXM

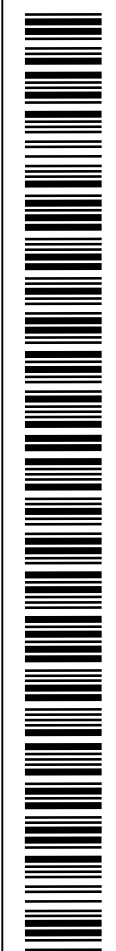
Ce dessin est confidentiel et ne doit pas être reproduit ou utilisé sans le consentement de EXM

| NOTE |                          |
|------|--------------------------|
| ITEM | DESCRIPTION              |
| 1    | NEMA 6P Enclosure (IP68) |
| 2    | W/O Inner panel          |

| No. | Revisions | Date | By/Par |
|-----|-----------|------|--------|
|     |           |      |        |
|     |           |      |        |
|     |           |      |        |
|     |           |      |        |
|     |           |      |        |



Isometric View



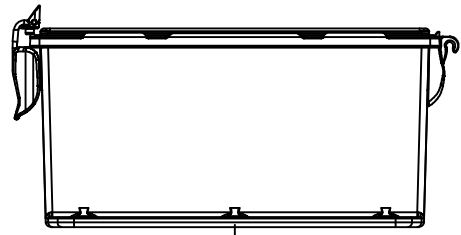
| PACKING          |     |  |
|------------------|-----|--|
| ITEM             | QTY | DESCRIPTION                                |
| Cardboard sleeve | 2   | Top and Bottom                             |
| Cardboard strip  | 2   | Between back of enclosure and inner panel  |
| Plastic bag      | 1   | To protect cover surface and inside gasket |
| Packaging label  | 1   | White label with product number            |

|            |                   |     |                                |
|------------|-------------------|-----|--------------------------------|
| 1          | 5600ESPLQW121005C | 0   | 5600ESPLQW 12" x 10" Cover     |
| 1          | 5600ESPLQW121005B | 0   | 5600ESPLQW 12" x 10" x 5" Body |
| Qty        | Part Number       | Rev | Description                    |
| Parts List |                   |     |                                |

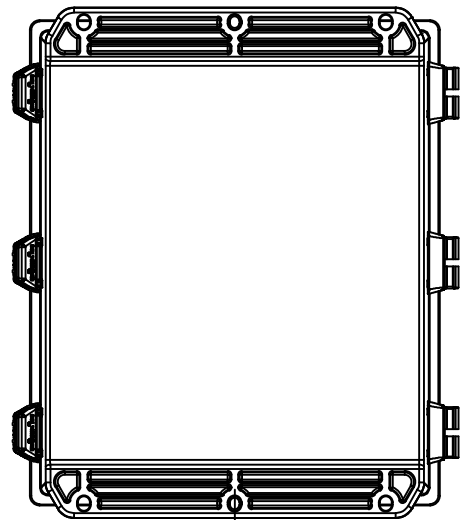
|  |  |
|--|--|
| <br>Tél: (450) 979-4373<br>Fax: (450) 979-4626<br><a href="http://www.exmweb.com">www.exmweb.com</a> | Flatness<br>Aplatissement<br>Max 3.0mm |
|  | Projection<br>                         |
| Customer Client  | Date                                   |
| Drawn By<br>Dessiné Par BoxCad: BoxCad   | Date 14-Jan-25                         |
| Material<br>Matière  | Polybutylene Terephthalate             |
| Color<br>Couleur Light Grey RAL7035  | Finish<br>Fini MT-11020                |
| Description  | Detail Rev.                            |
| 5600ESPLQW 12" x 10" x 5" Assembly   |  |
| Part Number<br>Numéro Pièce  | Rev.                                   |
| <b>5600ESPLQW121005</b>  | <b>0</b>                               |
|  | 2<br>7                                 |

This drawing is confidential and must not be reproduced or used without the consent of EXM

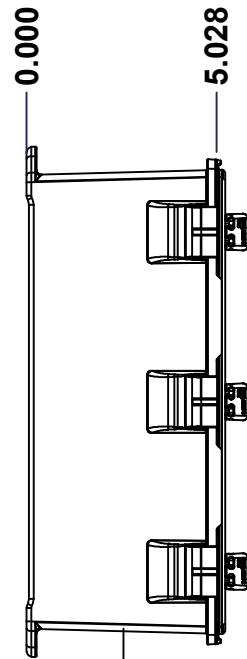
Ce dessin est confidentiel et ne doit pas être reproduit ou utilisé sans le consentement de EXM



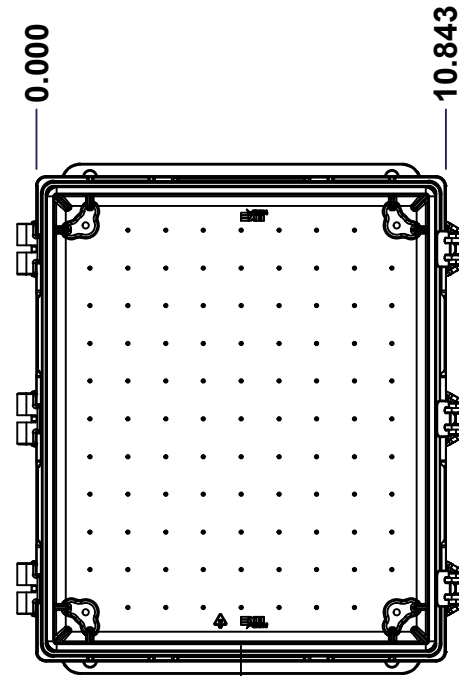
TOP



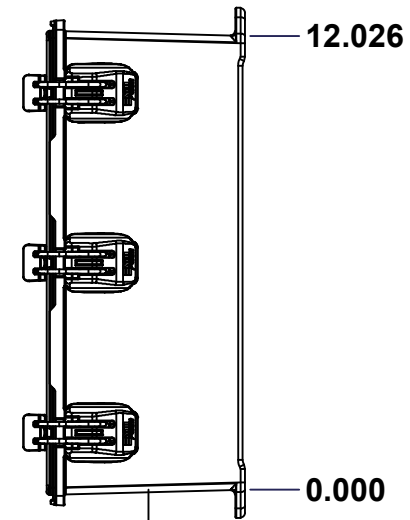
BACK



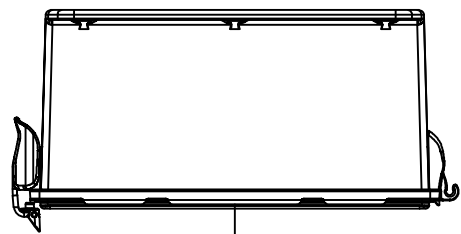
LEFT



FRONT

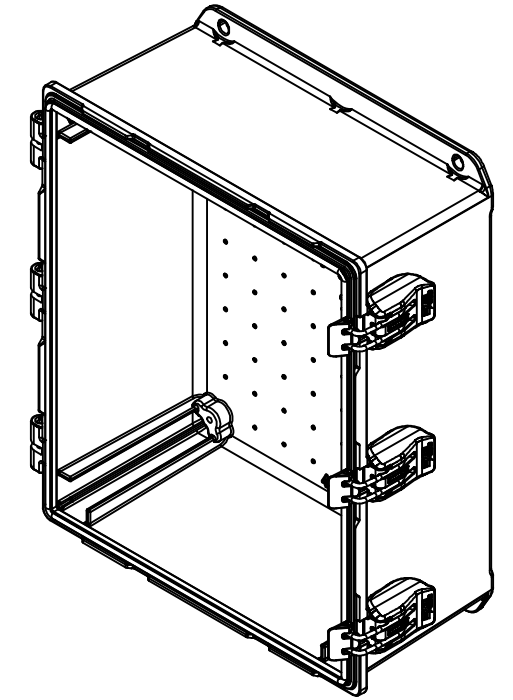


RIGHT



BOTTOM

| No. | Revisions | Date | By/Par |
|-----|-----------|------|--------|
|     |           |      |        |
|     |           |      |        |
|     |           |      |        |
|     |           |      |        |



Isometric View

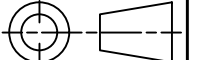


Tél: (450) 979-4373  
 Fax: (450) 979-4626  
[www.exmweb.com](http://www.exmweb.com)

Flatness  
Aplatissement

Max 3.0mm

Projection



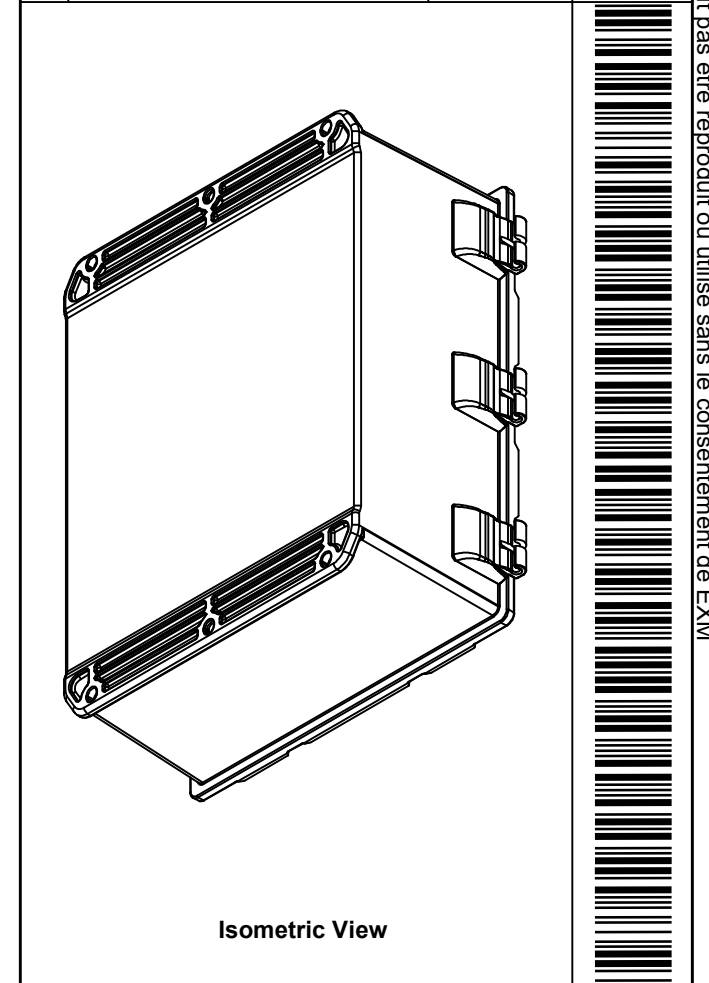
|  |                         |
|--|-------------------------|
| Customer Client                                | Date                    |
| Drawn By<br>Dessiné Par BoxCad: BoxCad         | Date 14-Jan-25          |
| Material<br>Matière Polybutylene Terephthalate |                         |
| Color<br>Couleur Light Grey RAL7035            | Finish<br>Fini MT-11020 |
| Description<br>5600ESPLQW 12" x 10" x 5" Body  | Detail Rev.             |
| Part Number<br>Numéro Pièce 5600ESPLQW121005B  | Rev. 3<br>0 7           |


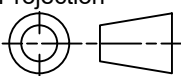
SEE BILL OF MATERIAL ON LAST PAGE

This drawing is confidential and must not be reproduced or used without the consent of EXM

Ce dessin est confidentiel et ne doit pas être reproduit ou utilisé sans le consentement de EXM

| No. | Revisions | Date | By/Par |
|-----|-----------|------|--------|
|     |           |      |        |
|     |           |      |        |
|     |           |      |        |
|     |           |      |        |
|     |           |      |        |

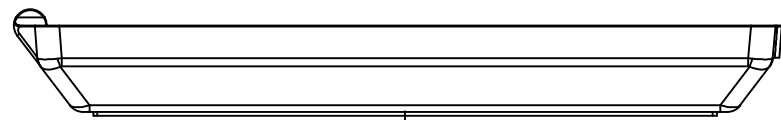


|  |                            |   |
|--|----------------------------|---|
|  Tél: (450) 979-4373<br>Fax: (450) 979-4626<br><a href="http://www.exmweb.com">www.exmweb.com</a> |                            | Flatness<br>Aplatissement<br>Max 3.0mm<br>Projection<br> |
| Customer Client  | Date                       |   |
| Drawn By<br>Dessiné Par  | BoxCad: BoxCad             | Date 14-Jan-25  |
| Material<br>Matière  | Polybutylene Terephthalate |   |
| Color<br>Couleur   | Light Grey RAL7035         | Finish<br>Fini MT-11020   |
| Description  | Detail Rev.                |   |
| 5600ESPLQW 12" x 10" x 5" Body   |                            |   |
| Part Number<br>Numéro Pièce  | Rev.                       | 4   |
| <b>5600ESPLQW121005B</b>   | <b>0</b>                   | 7   |

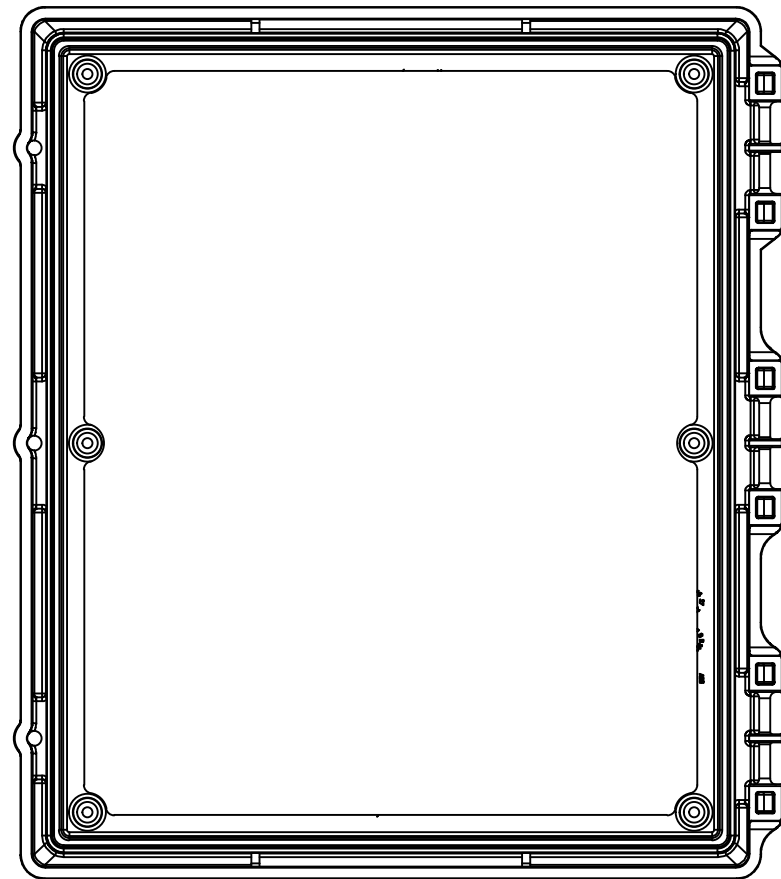
| Qty        | Part Number         | Rev | Description                         |
|------------|---------------------|-----|-------------------------------------|
| 1          | 5600ESPLQW121005G   | 8   | 5600 ESPL Base Gasket               |
| 3          | STK-A-880ESPL-QR    | 5   | 5600 ESPL Toggle Latch              |
| 3          | STK-Q-33920         | 3   | 5600 ESPL Cover Hinge Bracket       |
| 1          | 5600ESPLQW121005B-P | 0   | 5600ESPLQW 12" x 10" x 5" Body Part |
| Parts List |                     |     |                                     |

This drawing is confidential and must not be reproduced or used without the consent of EXM

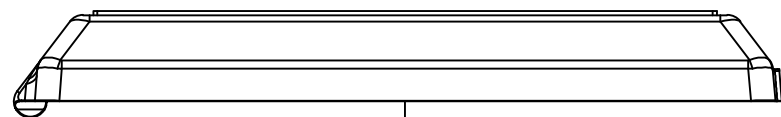
Ce dessin est confidentiel et ne doit pas être reproduit ou utilisé sans le consentement de EXM



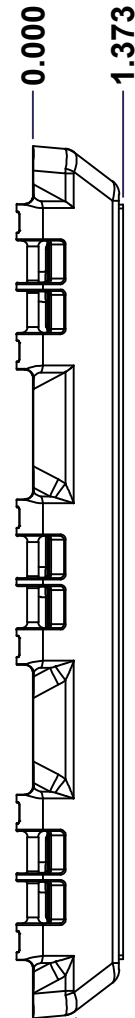
TOP



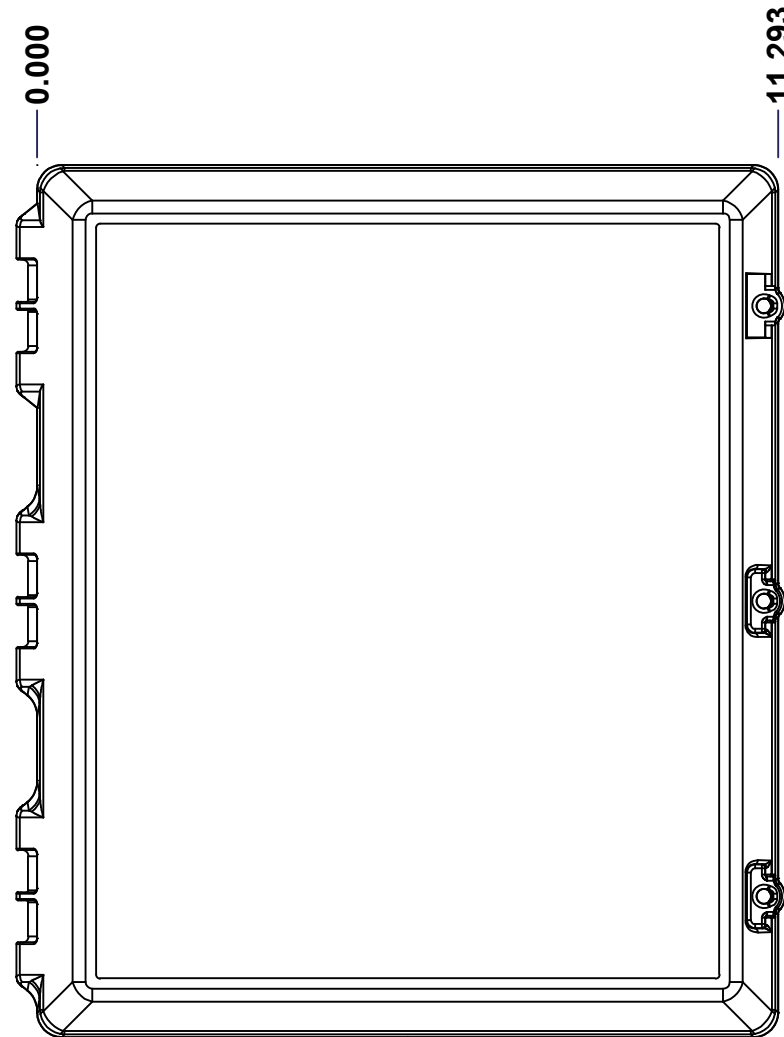
BACK



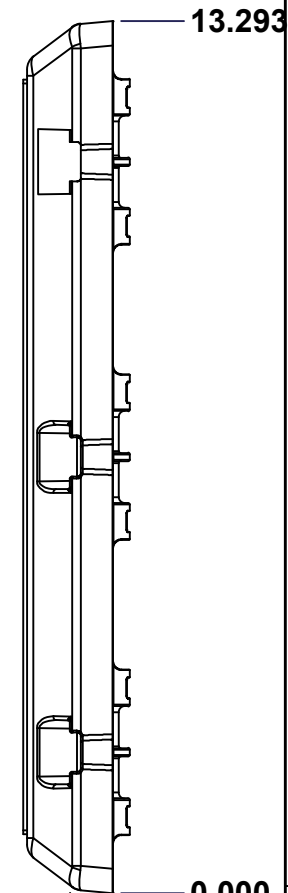
BOTTOM



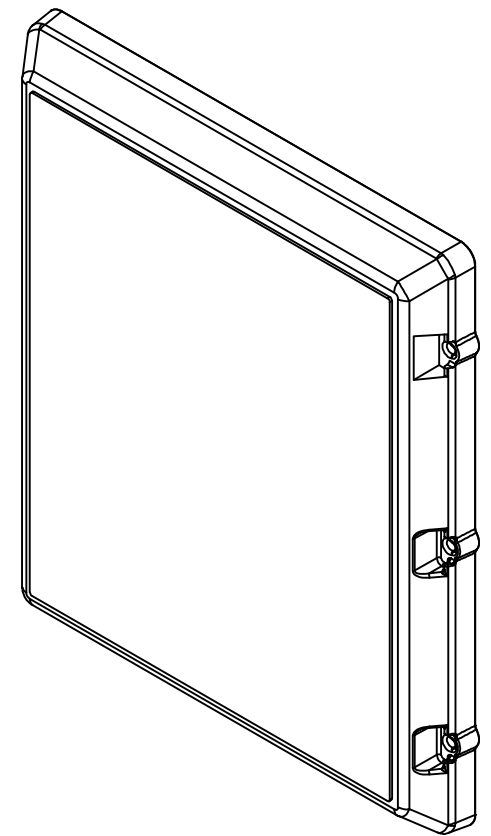
LEFT



FRONT




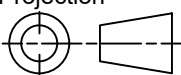
RIGHT



Isometric View



| No. | Revisions | Date | By/Par |
|-----|-----------|------|--------|
|     |           |      |        |
|     |           |      |        |
|     |           |      |        |
|     |           |      |        |

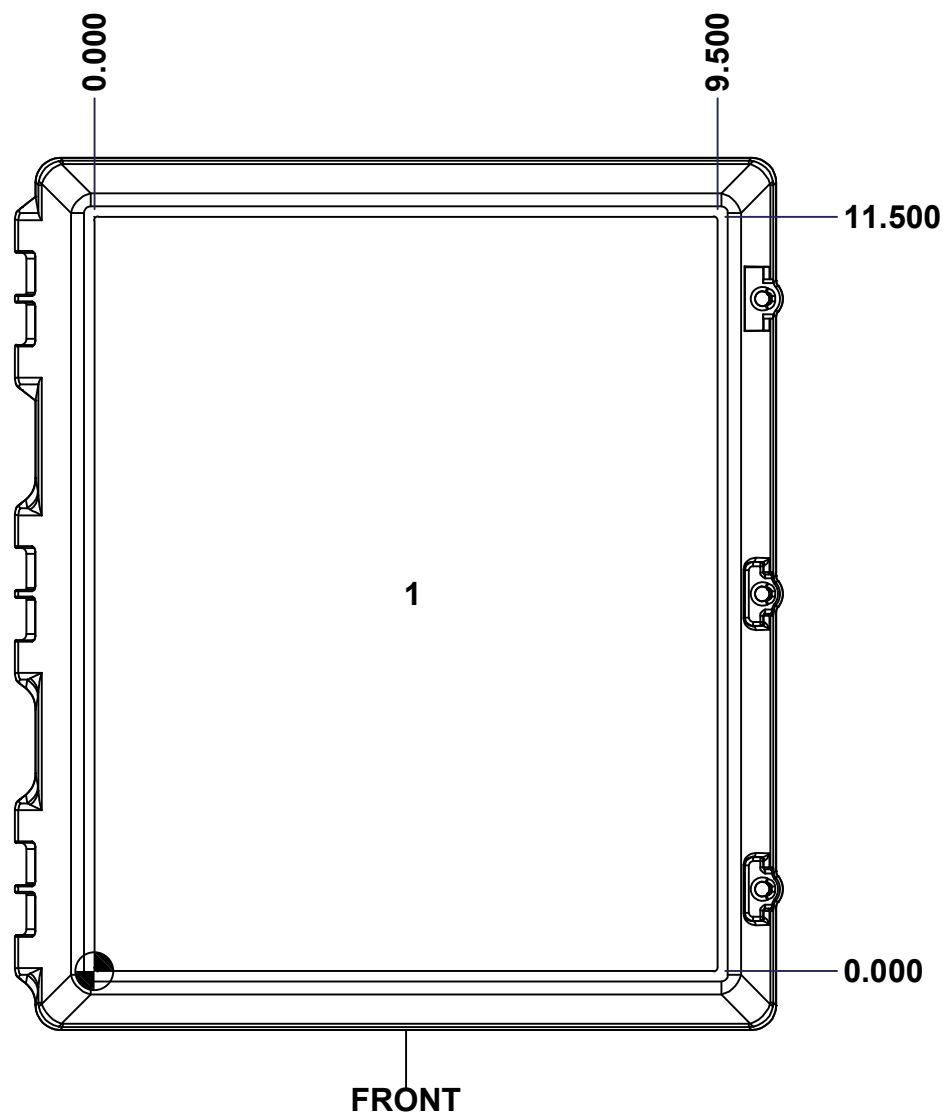
|  |                            |   |
|--|----------------------------|---|
|  Tél: (450) 979-4373<br>Fax: (450) 979-4626<br><a href="http://www.exmweb.com">www.exmweb.com</a> |                            | Flatness<br>Aplatissement<br>Max 3.0mm<br>Projection<br> |
| Customer<br>Client   | Date                       |   |
| Drawn By<br>Dessiné Par  | BoxCad: BoxCad             | Date 14-Jan-25  |
| Material<br>Matière  | Polybutylene Terephthalate |   |
| Color<br>Couleur   | Light Grey RAL7035         | Finish<br>Fini MT-11020   |
| Description  | Detail Rev.                |   |
| 5600ESPLQW 12" x 10" Cover   |                            |   |
| Part Number<br>Numéro Pièce  | Rev.                       | 5   |
| 5600ESPLQW121005C  | 0                          | 7   |

SEE BILL OF MATERIAL ON LAST PAGE

This drawing is confidential and must not be reproduced or used without the consent of EXM

Ce dessin est confidentiel et ne doit pas être reproduit ou utilisé sans le consentement de EXM

| <b>STANDARD FEATURES ARE NOT LISTED IN THIS HOLE TABLE</b> |       |       |                             |
|--|-------|-------|-----------------------------|
| <b>HOLE TABLE - FRONT VIEW (CUSTOM FEATURE ONLY)</b>       |       |       |                             |
| CUT-OUT  | XDIM  | YDIM  | DESCRIPTION                 |
| 1  | 4.750 | 5.750 | WINDOW KIT 8.250" x 10.250" |

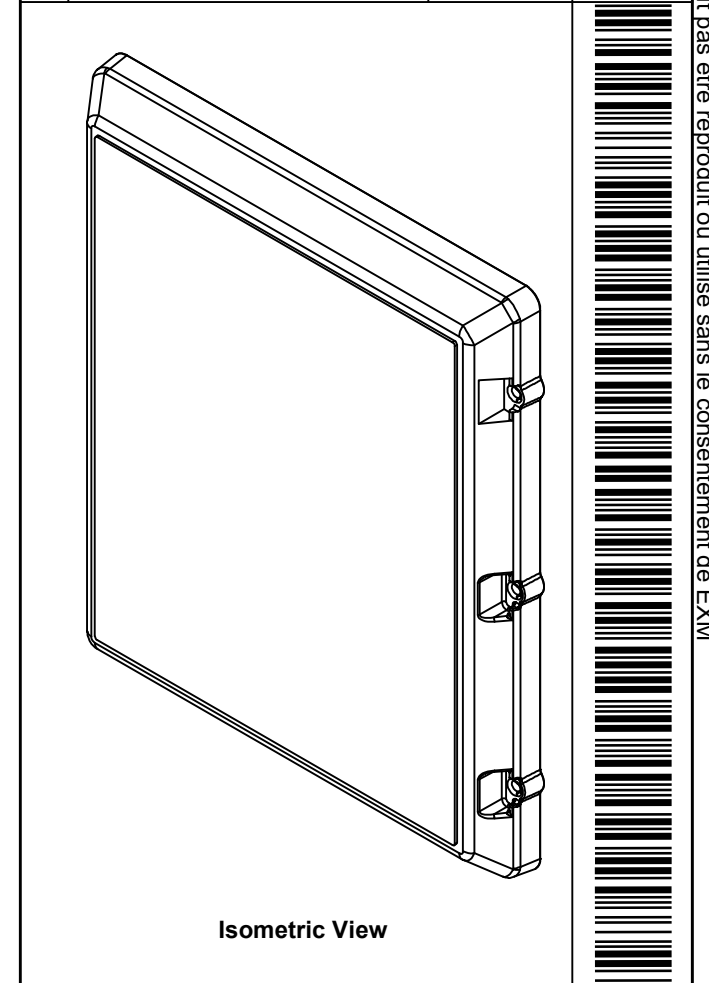



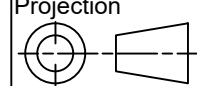
|  |                             |          |
|--|-----------------------------|----------|
|  | Description                 | Status   |
|  | 5600ESPLQW 12" x 10" Cover  | (NULL)   |
|  | Part Number<br>Numéro Pièce | Rev.     |
|  | <b>5600ESPLQW121005C</b>    | <b>0</b> |
|  |                             | 6        |
|  |                             | 7        |

This drawing is confidential and must not be reproduced or used without the consent of EXM

Ce dessin est confidentiel et ne doit pas être reproduit ou utilisé sans le consentement de EXM

| No. | Revisions | Date | By/Par |
|-----|-----------|------|--------|
|     |           |      |        |
|     |           |      |        |
|     |           |      |        |
|     |           |      |        |
|     |           |      |        |



|  |                            |   |
|--|----------------------------|---|
|  Tél: (450) 979-4373<br>Fax: (450) 979-4626<br><a href="http://www.exmweb.com">www.exmweb.com</a> |                            | Flatness<br>Aplatissement<br>Max 3.0mm<br>Projection<br> |
| Customer<br>Client   | Date                       |   |
| Drawn By<br>Dessiné Par  | BoxCad: BoxCad             | Date 14-Jan-25  |
| Material<br>Matière  | Polybutylene Terephthalate |   |
| Color<br>Couleur   | Light Grey RAL7035         | Finish<br>Fini MT-11020   |
| Description  |                            | Detail Rev.   |
| 5600ESPLQW 12" x 10" Cover   |                            |   |
| Part Number<br>Numéro Pièce  | Rev.                       | 7   |
| <b>5600ESPLQW121005C</b>   | <b>0</b>                   | 7   |

| QTY        | Part Number         | Rev | Description                            |
|------------|---------------------|-----|--|
| 1          | 5600ESPLQW121005LX  | 0   | 5600ESPLQW 11.341" x 9.341" Lexan Part |
| 1          | 5600ESPLQW121005C-P | 0   | 5600ESPLQW 12" x 10" x 5" Cover Part   |
| Parts List |                     |     |  |