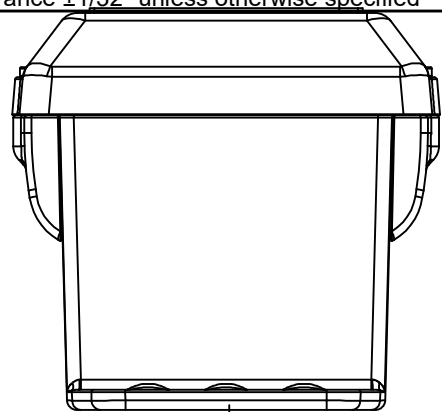
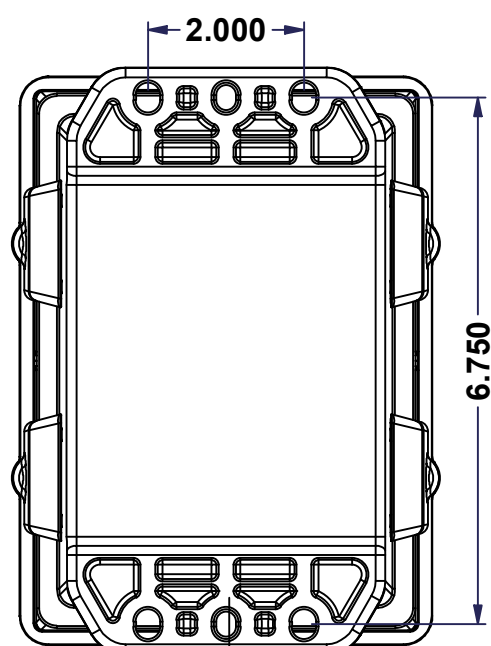


This drawing is confidential and must not be reproduced or used without the consent of EXM

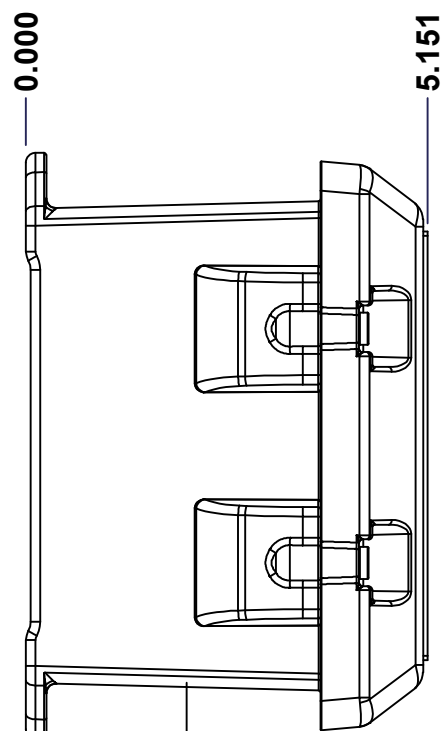
Ce dessin est confidentiel et ne doit pas être reproduit ou utilisé sans le consentement de EXM



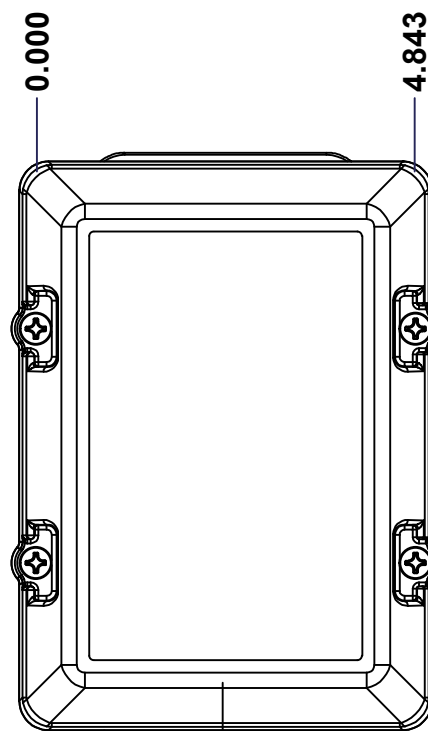
TOP



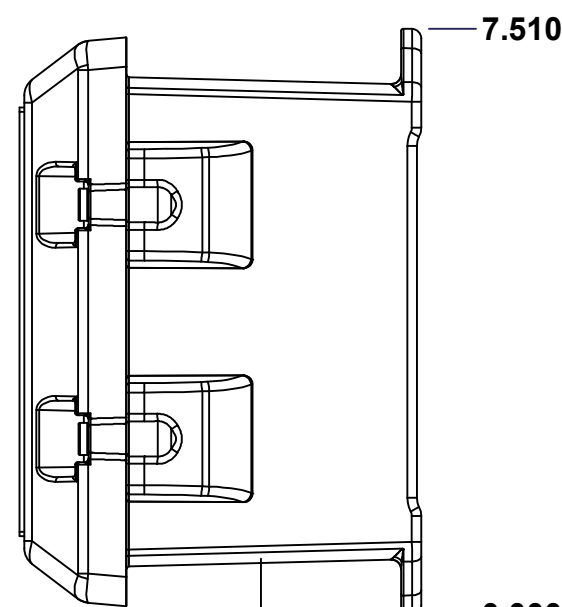
BACK



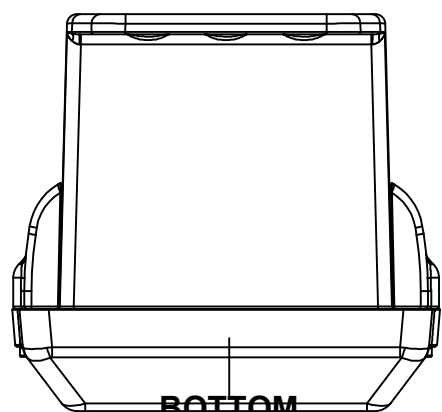
LEFT



FRONT

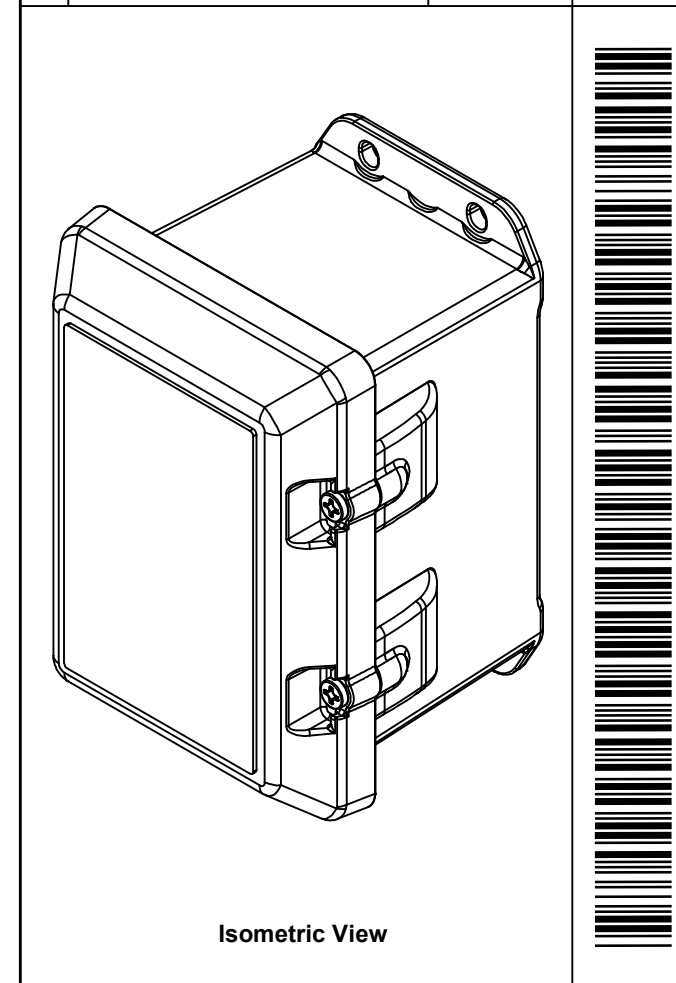



RIGHT



BOTTOM

| No. | Revisions | Date | By/Par |
|-----|-----------|------|--------|
| | | | |
| | | | |
| | | | |
| | | | |



| | | |
|--|-------------------------|---------------------------|
|  Tél: (450) 979-4373 Fax: (450) 979-4626 www.exmweb.com | | Flatness Aplatissement |
| | | Max 3.0mm |
| Customer Client | | Date |
| Drawn By Dessiné Par BoxCad: BoxCad | | Date 23-Mar-21 |
| Material Matière Polybutylene Terephthalate | | |
| Color Couleur Light Grey RAL7035 | Finish Fini MT-11020 | |
| Description 5600ESPLS 6" x 4" x 4" Assembly | | Detail Rev. |
| Part Number Numéro Pièce 5600ESPLS060404 | | Rev. 1 0 |

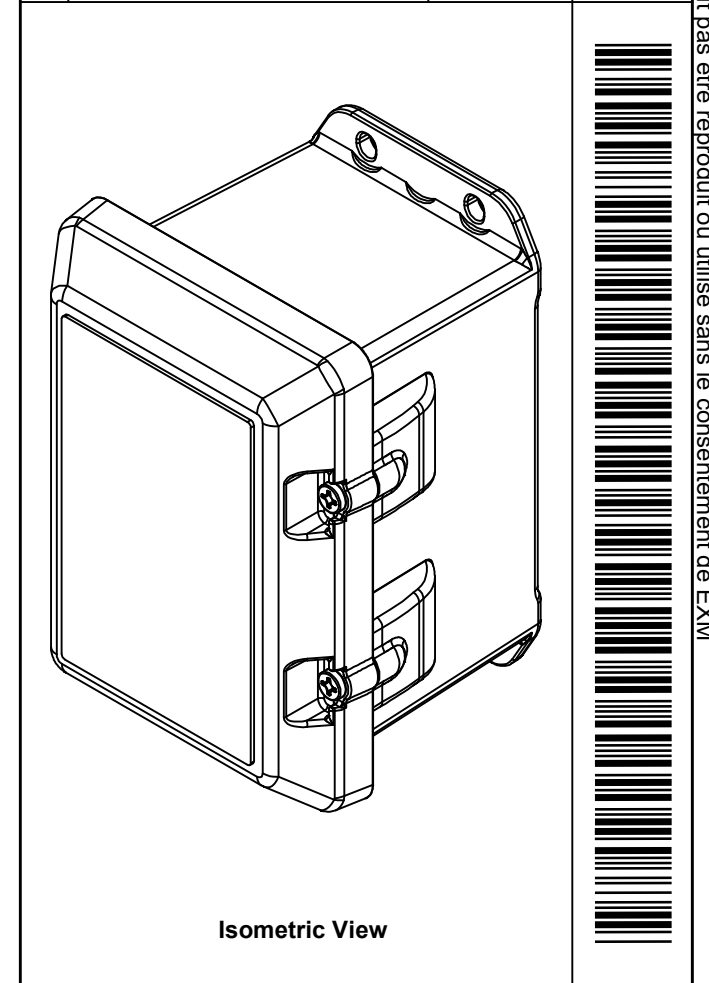
SEE BILL OF MATERIAL ON LAST PAGE


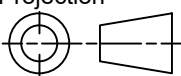
This drawing is confidential and must not be reproduced or used without the consent of EXM

Ce dessin est confidentiel et ne doit pas être reproduit ou utilisé sans le consentement de EXM

| NOTE | |
|------|--------------------------|
| ITEM | DESCRIPTION |
| 1 | NEMA 6P Enclosure (IP68) |
| 2 | W/O Inner panel |

| No. | Revisions | Date | By/Par |
|-----|-----------|------|--------|
| | | | |
| | | | |
| | | | |
| | | | |
| | | | |



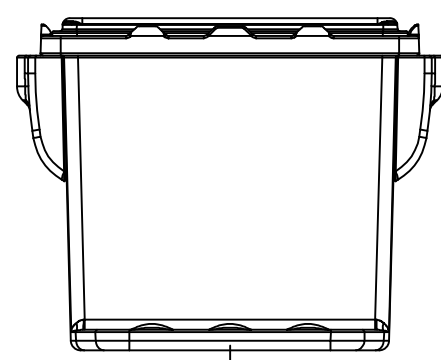
| | | |
|--|----------------------------|---|
|  Tél: (450) 979-4373 Fax: (450) 979-4626 www.exmweb.com | | Flatness Aplatissement Max 3.0mm Projection  |
| Customer Client | Date | |
| Drawn By Dessiné Par | BoxCad: BoxCad | Date 23-Mar-21 |
| Material Matière | Polybutylene Terephthalate | |
| Color Couleur | Light Grey RAL7035 | Finish Fini MT-11020 |
| Description | Detail Rev. | |
| 5600ESPLS 6" x 4" x 4" Assembly | | |
| Part Number Numéro Pièce | Rev. | 2 |
| 5600ESPLS060404 | 0 | 6 |

| PACKING | | |
|------------------|-----|--|
| ITEM | QTY | DESCRIPTION |
| Cardboard sleeve | 2 | Top and Bottom |
| Cardboard strip | 2 | Between back of enclosure and inner panel |
| Plastic bag | 1 | To protect cover surface and inside gasket |
| Packaging label | 1 | White label with product number |

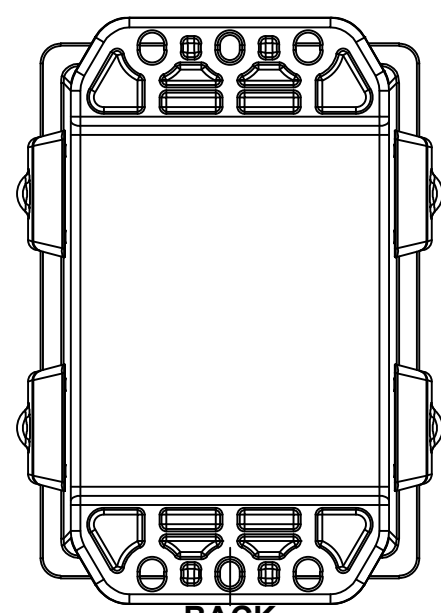
| Qty | Part Number | Rev | Description |
|------------|------------------|-----|-----------------------------|
| 1 | 5600ESPLS060404C | 0 | 5600ESPLS 6" x 4" Cover |
| 1 | 5600ESPLS060404B | 0 | 5600ESPLS 6" x 4" x 4" Body |
| Parts List | | | |

This drawing is confidential and must not be reproduced or used without the consent of EXM

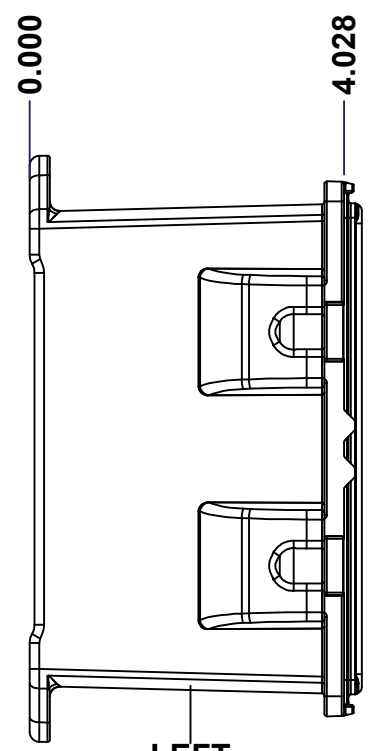
Ce dessin est confidentiel et ne doit pas être reproduit ou utilisé sans le consentement de EXM



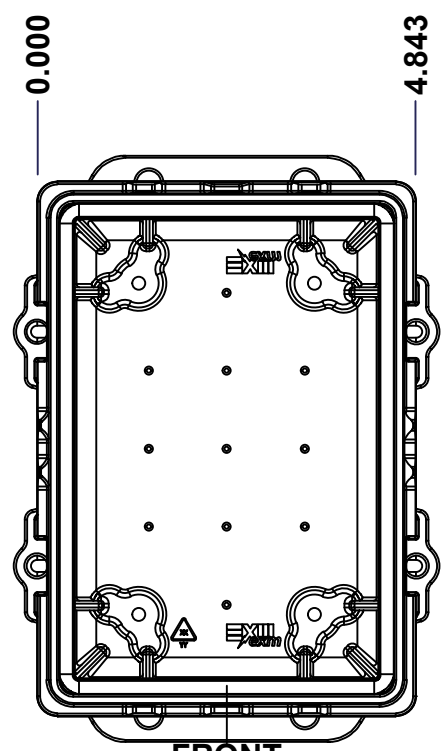
TOP



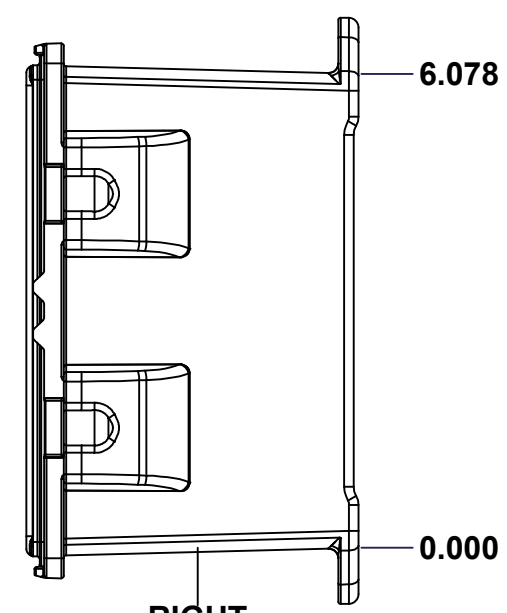
BACK



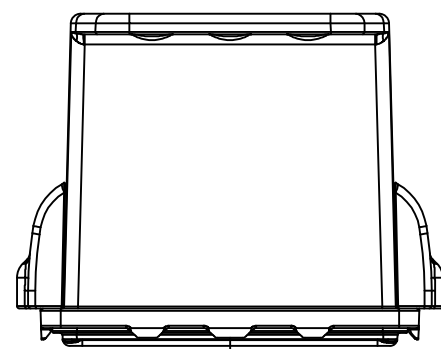
LEFT



FRONT

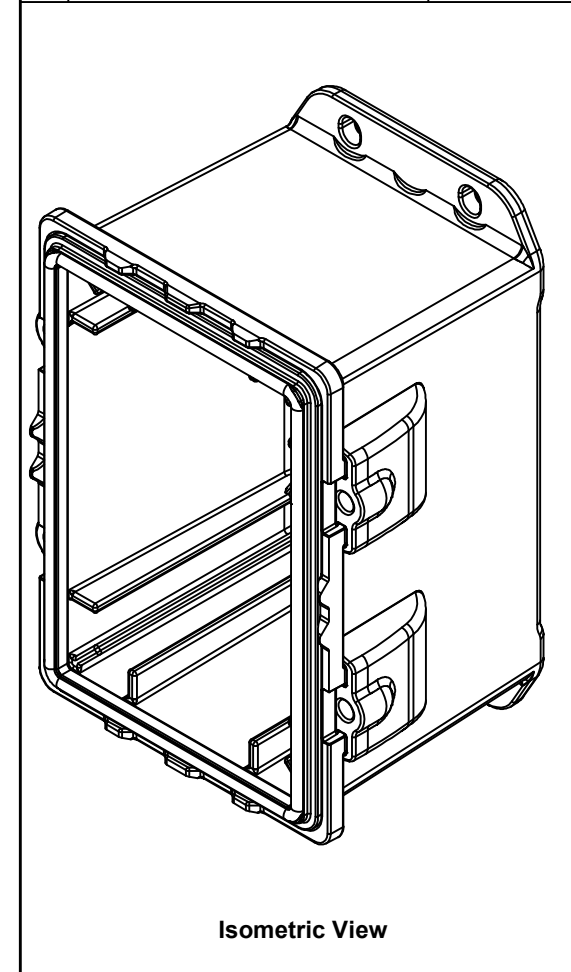


RIGHT




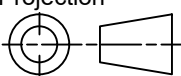
BOTTOM

| No. | Revisions | Date | By/Par |
|-----|-----------|------|--------|
| | | | |
| | | | |
| | | | |
| | | | |



Isometric View



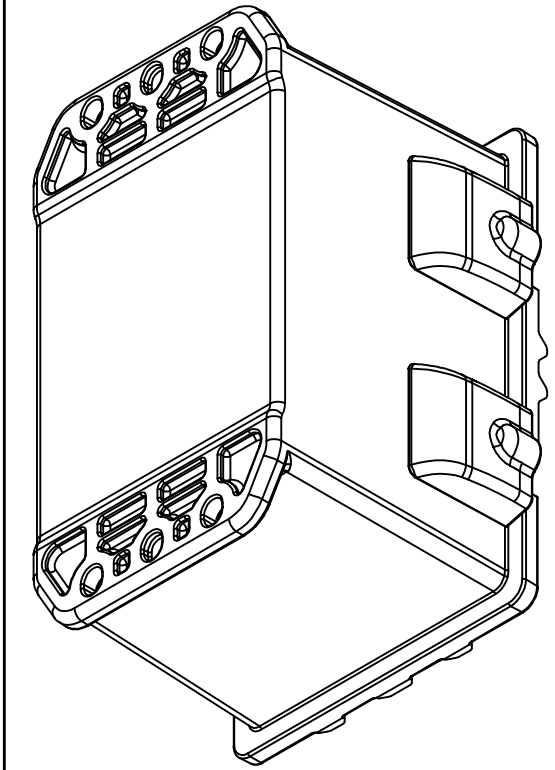
| | | |
|--|----------------------------|---|
|  Tél: (450) 979-4373 Fax: (450) 979-4626 www.exmweb.com | | Flatness Aplatissement Max 3.0mm Projection  |
| Customer Client | Date | |
| Drawn By Dessiné Par | BoxCad: BoxCad | Date 23-Mar-21 |
| Material Matière | Polybutylene Terephthalate | |
| Color Couleur | Light Grey RAL7035 | Finish Fini MT-11020 |
| Description | Detail Rev. | |
| 5600ESPLS 6" x 4" x 4" Body | | |
| Part Number Numéro Pièce | Rev. | 3 |
| 5600ESPLS060404B | 0 | 6 |

SEE BILL OF MATERIAL ON LAST PAGE

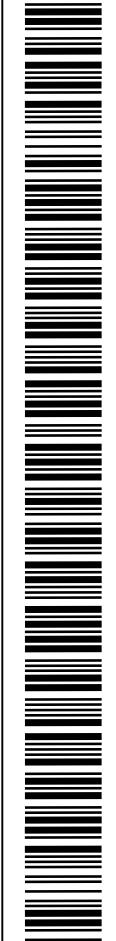
This drawing is confidential and must not be reproduced or used without the consent of EXM


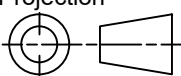
Ce dessin est confidentiel et ne doit pas être reproduit ou utilisé sans le consentement de EXM

| No. | Revisions | Date | By/Par |
|-----|-----------|------|--------|
| | | | |
| | | | |
| | | | |
| | | | |
| | | | |



Isometric View

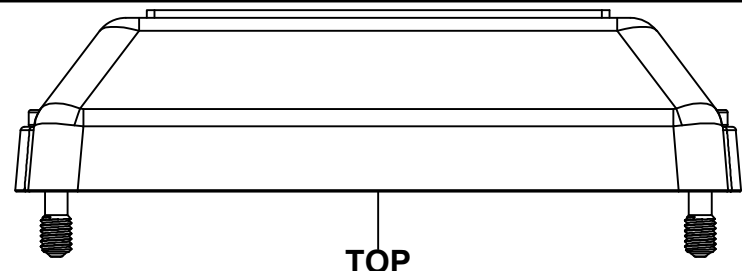


| | | |
|--|----------------------------|---|
|  Tél: (450) 979-4373 Fax: (450) 979-4626 www.exmweb.com | | Flatness Aplatissement Max 3.0mm Projection  |
| Customer Client | Date | |
| Drawn By Dessiné Par | BoxCad: BoxCad | Date 23-Mar-21 |
| Material Matière | Polybutylene Terephthalate | |
| Color Couleur | Light Grey RAL7035 | Finish Fini MT-11020 |
| Description | Detail Rev. | |
| 5600ESPLS 6" x 4" x 4" Body | | |
| Part Number Numéro Pièce | Rev. | 4 |
| 5600ESPLS060404B | 0 | 6 |

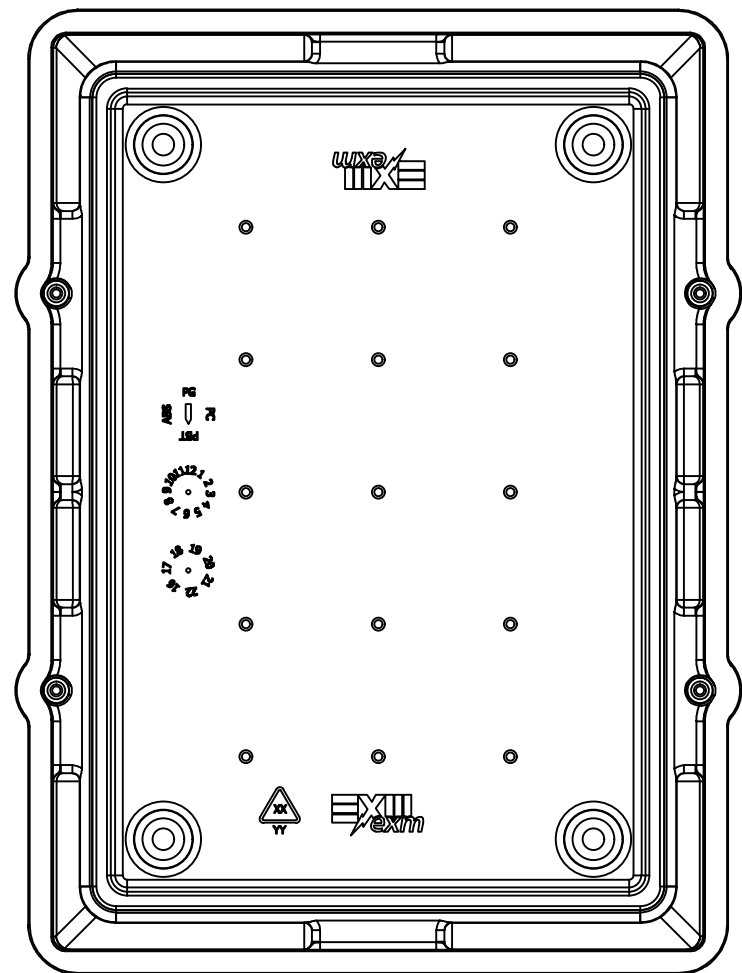
| Qty | Part Number | Rev | Description |
|------------|--------------------|-----|----------------------------------|
| 4 | STK-Q-70491 | 1 | 5600 ESPL Cover Screw Bracket |
| 1 | 5600ESPLS060404G | 8 | 5600 ESPL Base Gasket |
| 1 | 5600ESPLS060404B-P | 0 | 5600ESPLS 6" x 4" x 4" Body Part |
| Parts List | | | |

This drawing is confidential and must not be reproduced or used without the consent of EXM

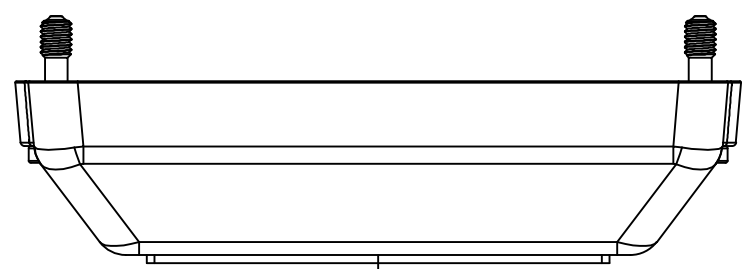
Ce dessin est confidentiel et ne doit pas être reproduit ou utilisé sans le consentement de EXM



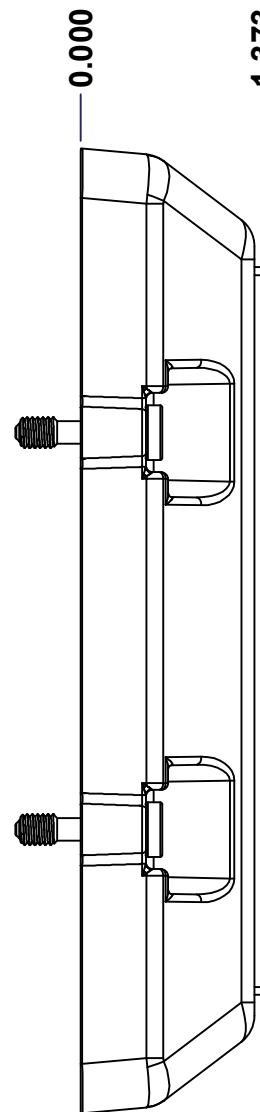
TOP



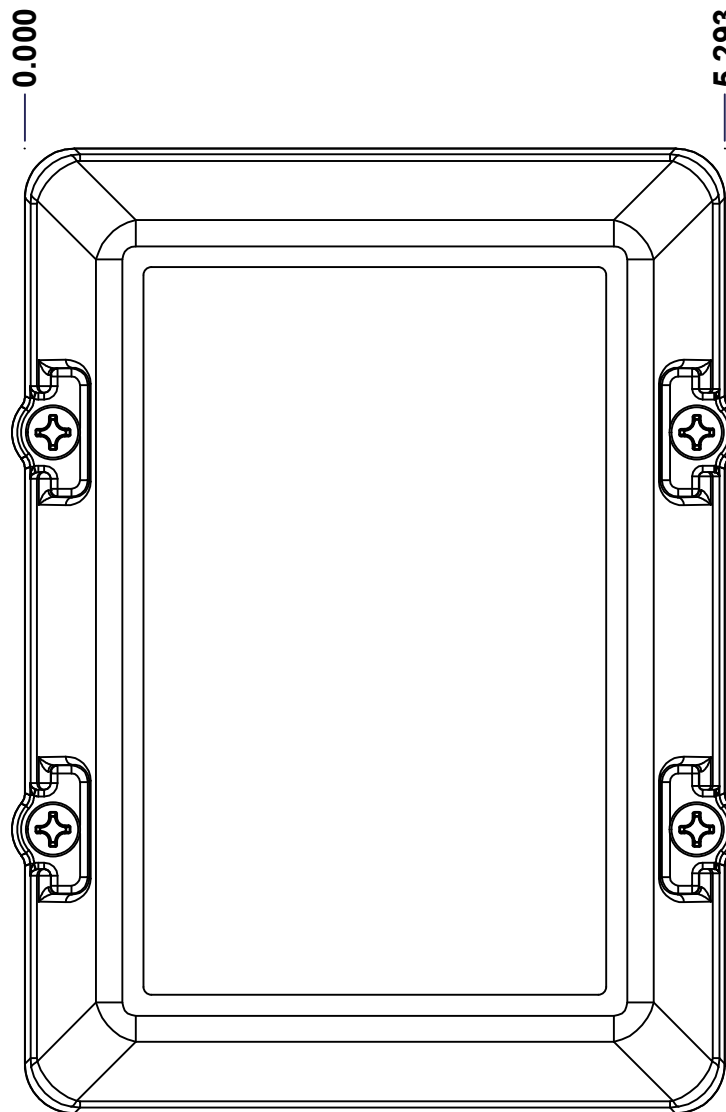
BACK



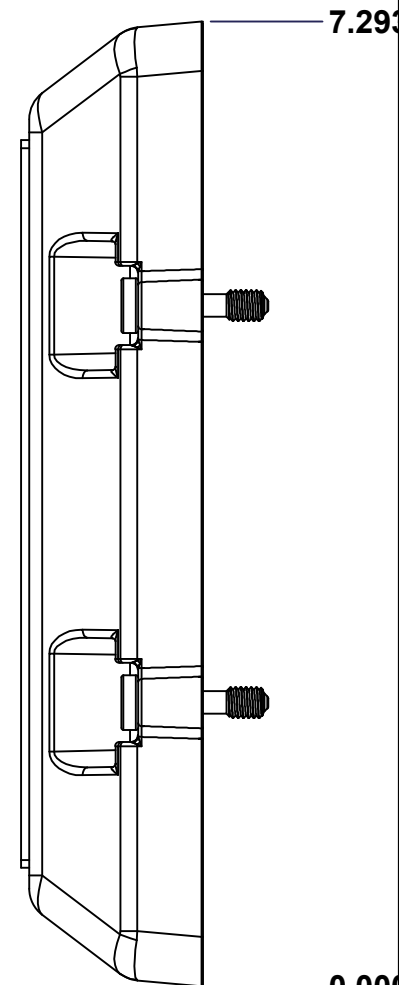
BOTTOM



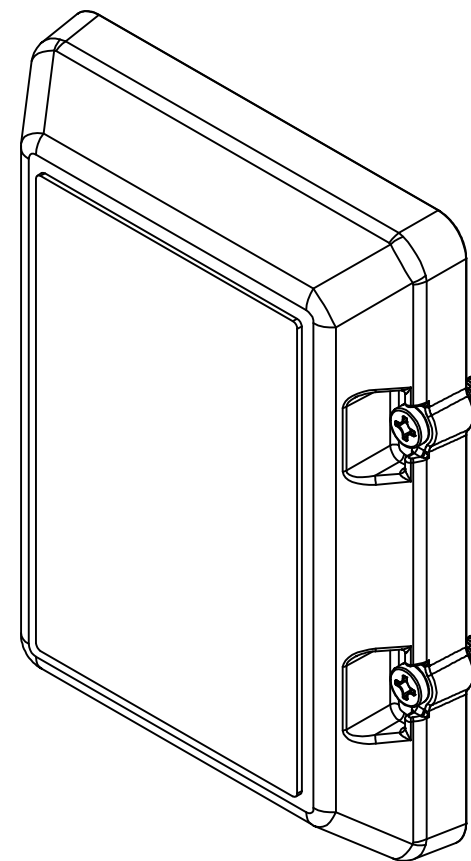
LEFT



FRONT



RIGHT



Isometric View



| No. | Revisions | Date | By/Par |
|-----|-----------|------|--------|
| | | | |
| | | | |
| | | | |
| | | | |
| | | | |

Flatness
Aplatissement
Max 3.0mm
Projection

Customer Client
Date
Drawn By Dessiné Par BoxCad: BoxCad
Date 23-Mar-21

Material Matière Polybutylene Terephthalate

Color Couleur Light Grey RAL7035
Finish Fini MT-11020

Description 5600ESPLS 6" x 4" Cover
Detail Rev.

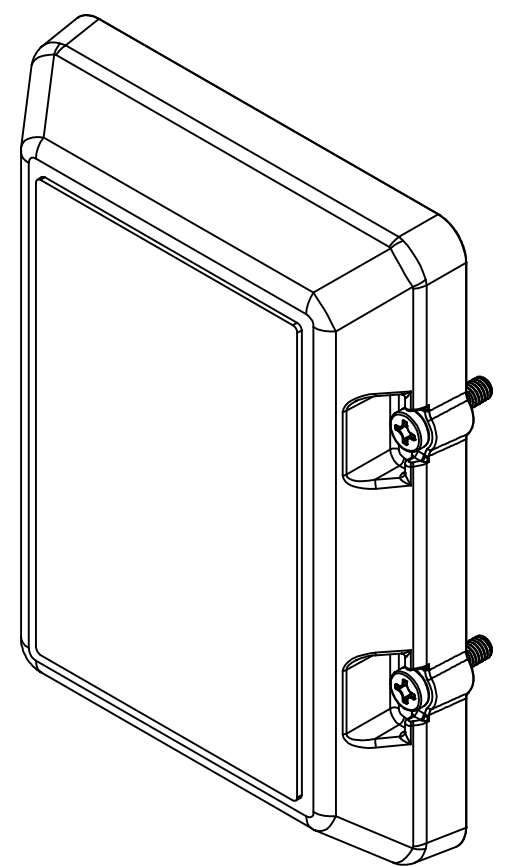
Part Number Numéro Pièce 5600ESPLS060404C
Rev. 5
0 6

SEE BILL OF MATERIAL ON LAST PAGE

This drawing is confidential and must not be reproduced or used without the consent of EXM

Ce dessin est confidentiel et ne doit pas être reproduit ou utilisé sans le consentement de EXM

| No. | Revisions | Date | By/Par |
|-----|-----------|------|--------|
| | | | |
| | | | |
| | | | |
| | | | |
| | | | |



Isometric View



Tél: (450) 979-4373
 Fax: (450) 979-4626
www.exmweb.com

Flatness
Aplatissement
Max 3.0mm
Projection

| | |
|-------------------------|----------------|
| Customer Client | Date |
| Drawn By Dessiné Par | Date |
| Material Matière | |
| Color Couleur | Finish Fini |

Description: 5600ESPLS 6" x 4" Cover

Part Number
Numéro Pièce: **5600ESPLS060404C**

Rev. 0

| QTY | Part Number | Rev | Description |
|------------|--------------------|-----|-----------------------------------|
| 4 | STK-Q-03520 | 2 | M6 x 25mm Phillips Screw |
| 1 | 5600ESPLS060404C-P | 0 | 5600ESPLS 6" x 4" x 4" Cover Part |
| Parts List | | | |