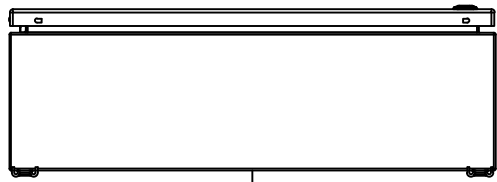
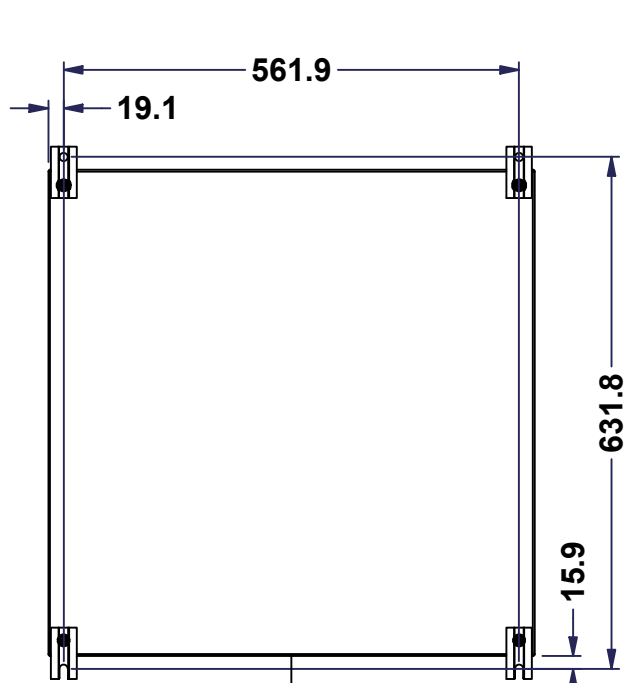


This drawing is confidential and must not be reproduced or used without the consent of EXM

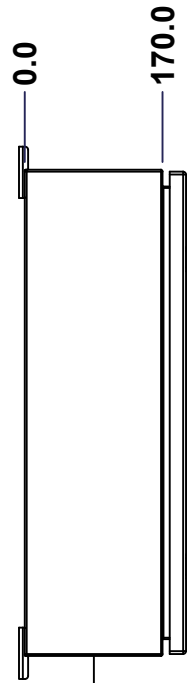
Ce dessin est confidentiel et ne doit pas être reproduit ou utilisé sans le consentement de EXM



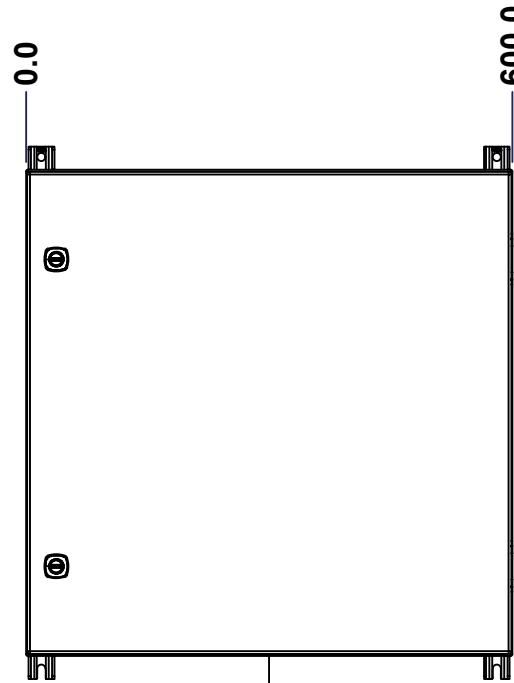
TOP



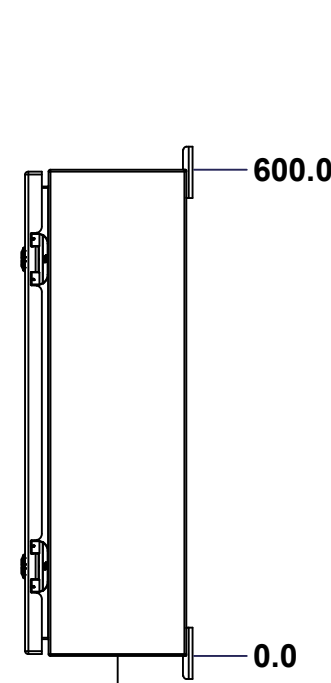
BACK



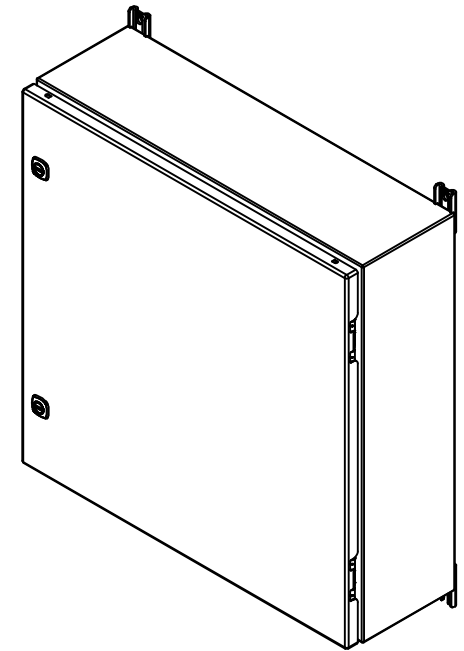
LEFT



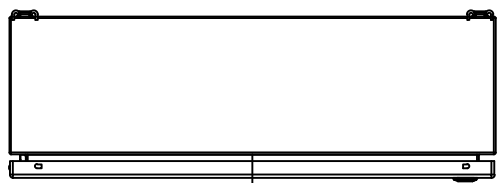
FRONT



RIGHT


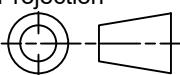


Isometric View



BOTTOM

| No. | Revisions | Date | By/Par |
|-----|-----------|------|--------|
|     |           |      |        |
|     |           |      |        |
|     |           |      |        |
|     |           |      |        |

|  |   |   |
|--|---|---|
|  Tél: (450) 979-4373<br>Fax: (450) 979-4626<br><a href="http://www.exmweb.com">www.exmweb.com</a> |   | Flatness<br>Aplatissement<br>Max 3.0mm<br>Projection<br> |
| Customer<br>Client   | Date                                      |   |
| Drawn By<br>Dessiné Par  | BoxCad: BoxCad                            | Date 16-Jan-25  |
| Material<br>Matière  | 16 Ga Cold Rolled A1008 CS Type B (1.4mm) |   |
| Color<br>Couleur   | Light Grey RAL7035                        | Finish<br>Fini Textured   |
| Description  | Detail Rev.                               |   |
| 6412ES 600mm x 600mm x 170mm<br>Assembly   |   |   |
| Part Number<br>Numéro Pièce  | Rev. 0                                    | 1 / 16  |
| <b>6412ES060620TH</b>  |   |   |

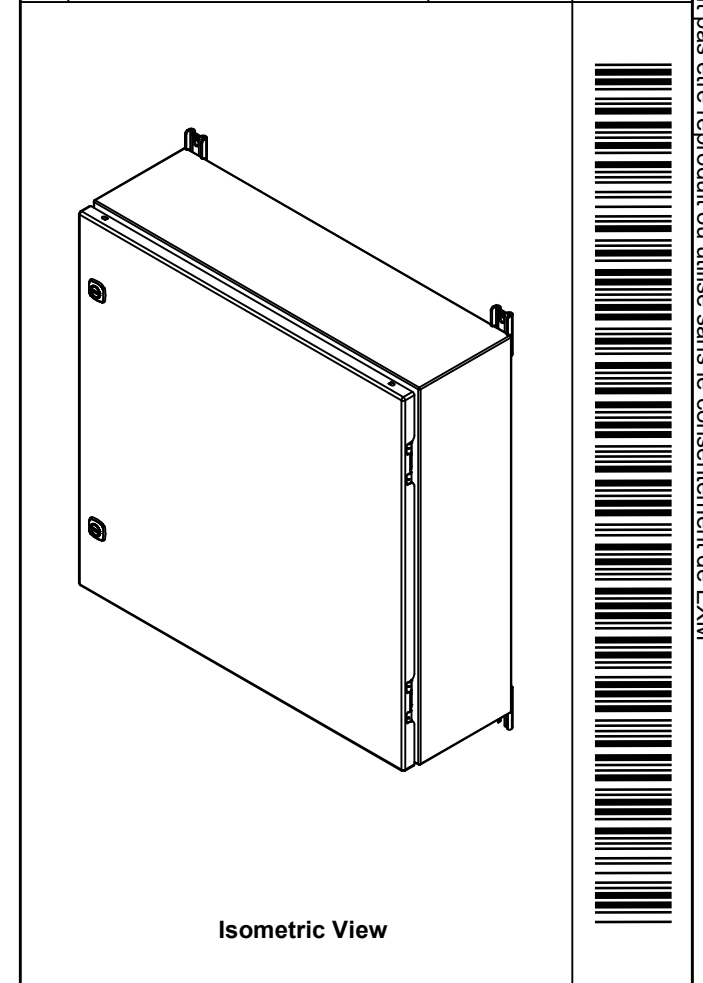
SEE BILL OF MATERIAL ON LAST PAGE


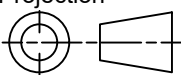
This drawing is confidential and must not be reproduced or used without the consent of EXM

Ce dessin est confidentiel et ne doit pas être reproduit ou utilisé sans le consentement de EXM

| NOTE |   |
|------|---|
| ITEM | DESCRIPTION                                     |
| 1    | NEMA 4, 12 Enclosure (IP66)                     |
| 2    | C/W Standard ground studs on box and cover      |
| 3    | C/W Standard door stiffener                     |
| 4    | C/W Standard inner panel (Included)             |
| 5    | C/W Standard inner panel mounting studs         |
| 6    | C/W 885 ESMF3_OPEN Sold separately (Installed)  |
| 7    | C/W 885 ESMF3_CLOSE Sold separately (Installed) |
| 8    | C/W R5 Insulation (Installed aluminum visible)  |

| No. | Revisions | Date | By/Par |
|-----|-----------|------|--------|
|     |           |      |        |
|     |           |      |        |
|     |           |      |        |
|     |           |      |        |
|     |           |      |        |



|  |   |
|--|---|
|  Tél: (450) 979-4373<br>Fax: (450) 979-4626<br><a href="http://www.exmweb.com">www.exmweb.com</a> | Flatness<br>Aplatissement<br>Max 3.0mm  |
|  | Projection<br> |
| Customer Client  | Date  |
| Drawn By / Dessiné Par: BoxCad: BoxCad   | Date: 16-Jan-25   |
| Material / Matière: 16 Ga Cold Rolled A1008 CS Type B (1.4mm)  |   |

| PACKING               |     |  |
|-----------------------|-----|--|
| ITEM                  | QTY | DESCRIPTION                                |
| Cardboard sleeve      | 2   | Top and Bottom                             |
| Cardboard strip       | 2   | Between back of enclosure and inner panel  |
| Plastic bag           | 1   | To protect cover surface and inside gasket |
| Plastic strap - Black | 2   | To Squeeze the 2 cardboard sleeve together |
| Packaging label       | 1   | White label with product number            |

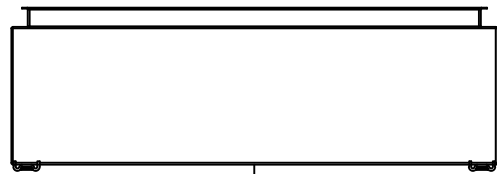
| Qty | Part Number     | Rev | Description                                |
|-----|-----------------|-----|--|
| 4   | STK-Q-00600     | 2   | M12 to M8 Adaptor                          |
| 1   | 886 SP0606ES    | 0   | 886 SP - Inner Panel                       |
| 1   | STK-K-01800     | 5   | 5412 ES Accessory Kit                      |
| 1   | 6412ES060620THC | 0   | 6412ES 600mm x 600mm Cover                 |
| 1   | 6412ES060620THB | 0   | 6412ES 600mm x 600mm x 170mm Body          |
| 2   | STK-Q-04050-08  | 0   | M6 x 8mm Hexagon Socket Head Machine Screw |

Parts List

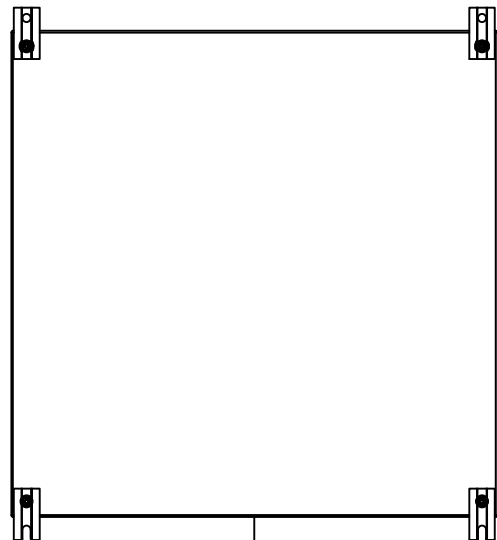
|  |                         |
|--|-------------------------|
| Color / Couleur: Light Grey RAL7035                | Finish / Fini: Textured |
| Description: 6412ES 600mm x 600mm x 170mm Assembly |                         |
| Part Number / Numéro Pièce: <b>6412ES060620TH</b>  | Rev. / Révis: 0         |
| 2 / 16   |                         |

This drawing is confidential and must not be reproduced or used without the consent of EXM

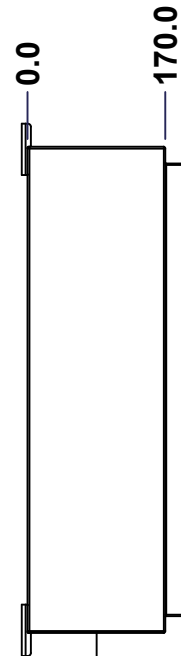
Ce dessin est confidentiel et ne doit pas être reproduit ou utilisé sans le consentement de EXM



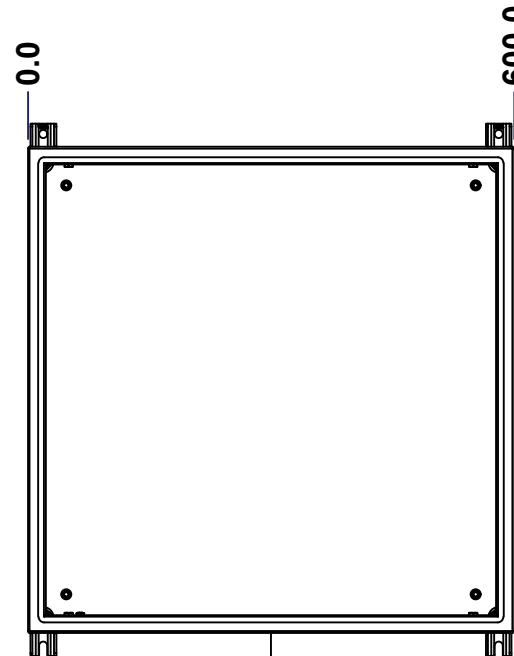
TOP



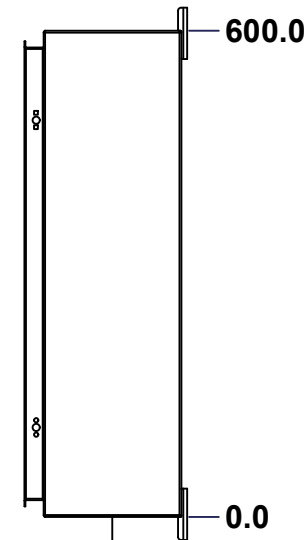
BACK



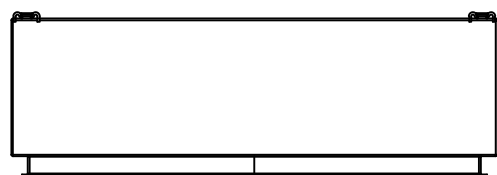
LEFT



FRONT

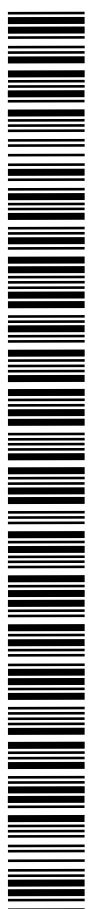
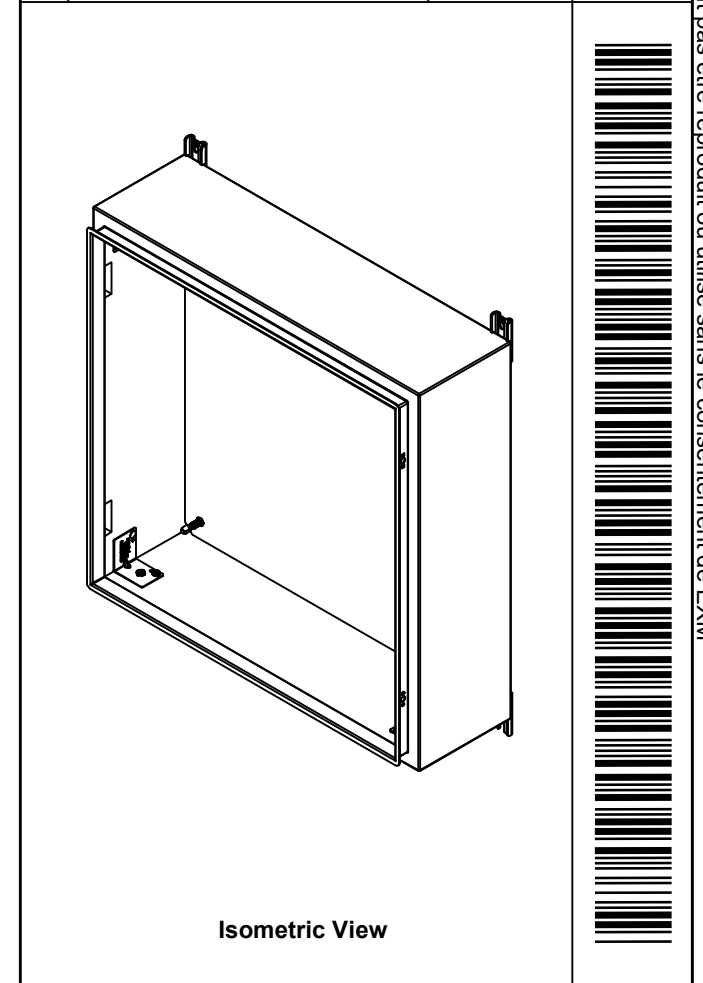



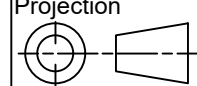
RIGHT



BOTTOM

| No. | Revisions | Date | By/Par |
|-----|-----------|------|--------|
|     |           |      |        |
|     |           |      |        |
|     |           |      |        |
|     |           |      |        |

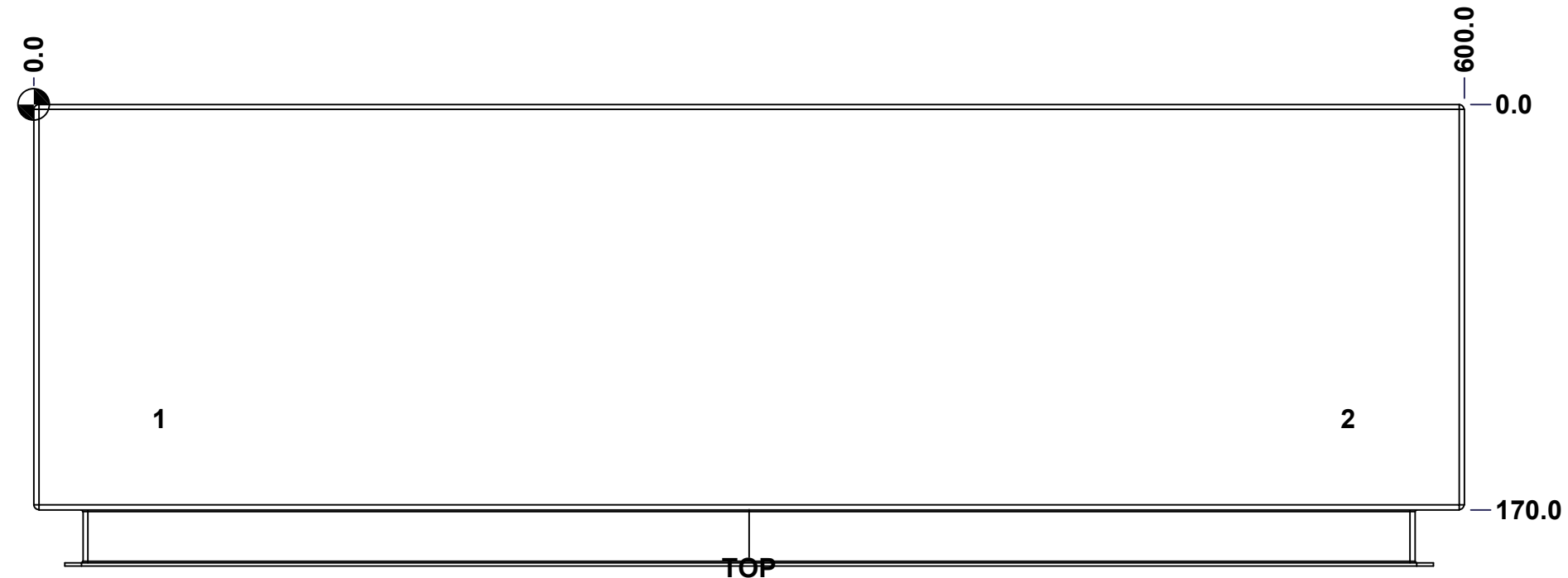


|  |   |   |
|--|---|---|
|  Tél: (450) 979-4373<br>Fax: (450) 979-4626<br><a href="http://www.exmweb.com">www.exmweb.com</a> |   | Flatness<br>Aplatissement<br>Max 3.0mm<br>Projection<br> |
| Customer<br>Client   | Date                                      |   |
| Drawn By<br>Dessiné Par  | BoxCad: BoxCad                            | Date 16-Jan-25  |
| Material<br>Matière  | 16 Ga Cold Rolled A1008 CS Type B (1.4mm) |   |
| Color<br>Couleur   | Light Grey RAL7035                        | Finish<br>Fini Textured   |
| Description<br>6412ES 600mm x 600mm x 170mm Body   |   | Detail Rev.   |
| Part Number<br>Numéro Pièce  | 6412ES060620THB                           | Rev. 3  |
| SEE BILL OF MATERIAL ON LAST PAGE  |   | 0   |

This drawing is confidential and must not be reproduced or used without the consent of EXM

Ce dessin est confidentiel et ne doit pas être reproduit ou utilisé sans le consentement de EXM

| <b>STANDARD FEATURES ARE NOT LISTED IN THIS HOLE TABLE</b> |       |       |                                |
|--|-------|-------|--------------------------------|
| <b>HOLE TABLE - TOP VIEW (CUSTOM FEATURE ONLY)</b>         |       |       |                                |
| CUT-OUT  | XDIM  | YDIM  | DESCRIPTION                    |
| 1  | 50.8  | 131.9 | INSUL. STUD M6 x 18mm (Inside) |
| 2  | 549.2 | 131.9 | INSUL. STUD M6 x 18mm (Inside) |

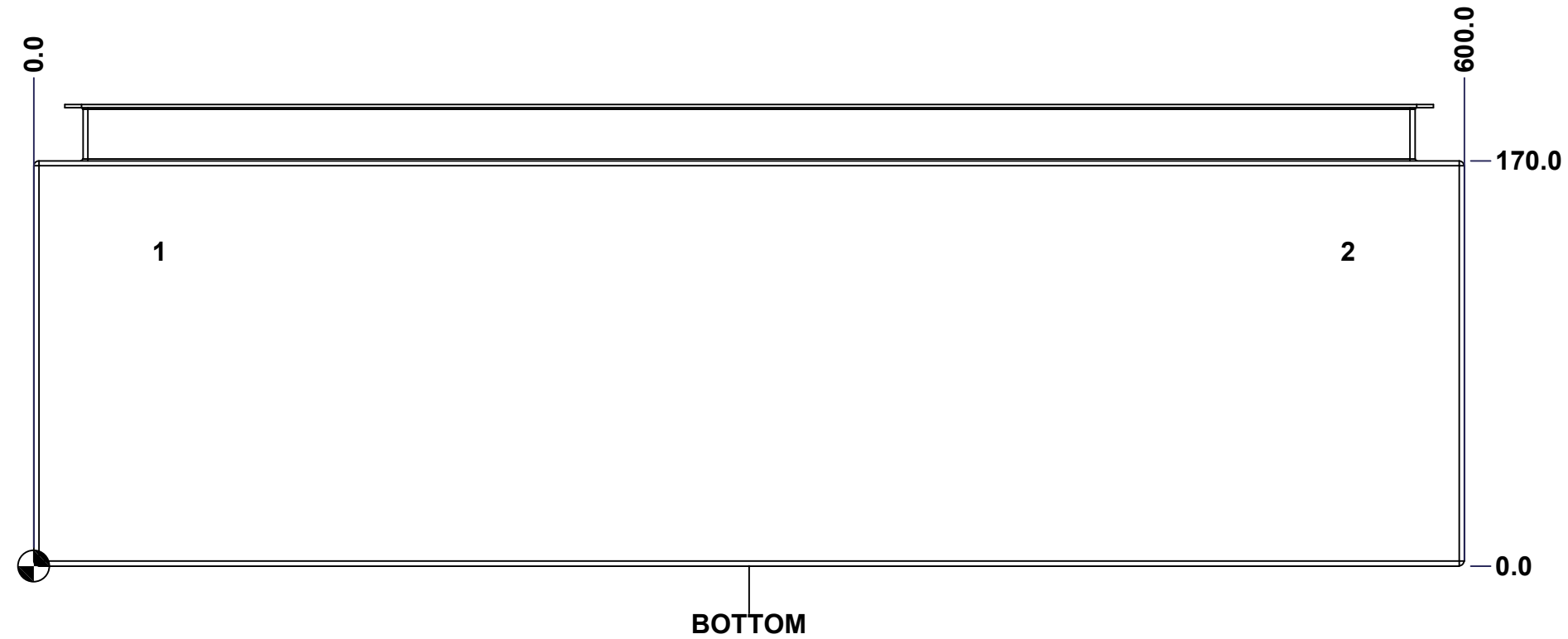


|  |                                   |          |    |
|--|-----------------------------------|----------|----|
|  | Description                       | Status   |    |
|  | 6412ES 600mm x 600mm x 170mm Body | (NULL)   |    |
|  | Part Number<br>Numéro Pièce       | Rev.     | 4  |
|  | <b>6412ES060620THB</b>            | <b>0</b> | 16 |

This drawing is confidential and must not be reproduced or used without the consent of EXM

Ce dessin est confidentiel et ne doit pas être reproduit ou utilisé sans le consentement de EXM

| <b>STANDARD FEATURES ARE NOT LISTED IN THIS HOLE TABLE</b> |       |       |                                |
|--|-------|-------|--------------------------------|
| <b>HOLE TABLE - BOTTOM VIEW (CUSTOM FEATURE ONLY)</b>      |       |       |                                |
| CUT-OUT  | XDIM  | YDIM  | DESCRIPTION                    |
| 1  | 50.8  | 131.9 | INSUL. STUD M6 x 18mm (Inside) |
| 2  | 549.2 | 131.9 | INSUL. STUD M6 x 18mm (Inside) |



|  |   |                    |
|--|---|--------------------|
|  | Description<br>6412ES 600mm x 600mm x 170mm Body      | Status<br>(NULL)   |
|  | Part Number<br>Numéro Pièce<br><b>6412ES060620THB</b> | Rev. 5<br><b>0</b> |

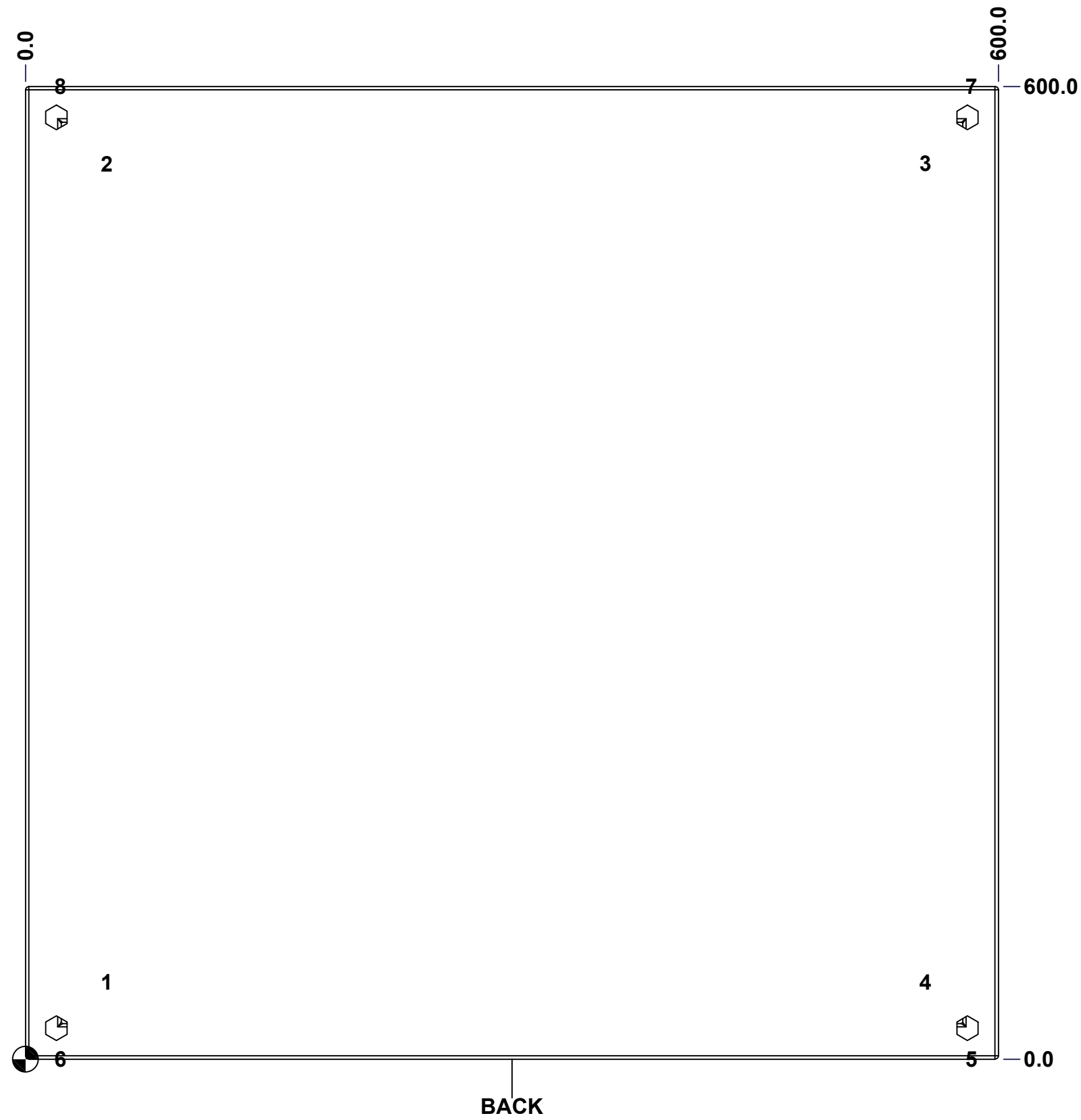
This drawing is confidential and must not be reproduced or used without the consent of EXM

Ce dessin est confidentiel et ne doit pas être reproduit ou utilisé sans le consentement de EXM

**STANDARD FEATURES ARE NOT LISTED IN THIS HOLE TABLE**

**HOLE TABLE - BACK VIEW (CUSTOM FEATURE ONLY)**

| CUT-OUT | XDIM  | YDIM  | DESCRIPTION                |
|---------|-------|-------|----------------------------|
| 1       | 47.6  | 47.6  | IP STUD M8 x 35mm (Inside) |
| 2       | 47.6  | 552.4 | IP STUD M8 x 35mm (Inside) |
| 3       | 552.4 | 552.4 | IP STUD M8 x 35mm (Inside) |
| 4       | 552.4 | 47.6  | IP STUD M8 x 35mm (Inside) |
| -----   |       |       |                            |
| 5       | 581.0 | 0.0   | FOOT 885 ESMF3_OPEN        |
| 6       | 19.1  | 0.0   | FOOT 885 ESMF3_OPEN        |
| 7       | 581.0 | 600.0 | FOOT 885 ESMF3_CLOSE       |
| 8       | 19.1  | 600.0 | FOOT 885 ESMF3_CLOSE       |

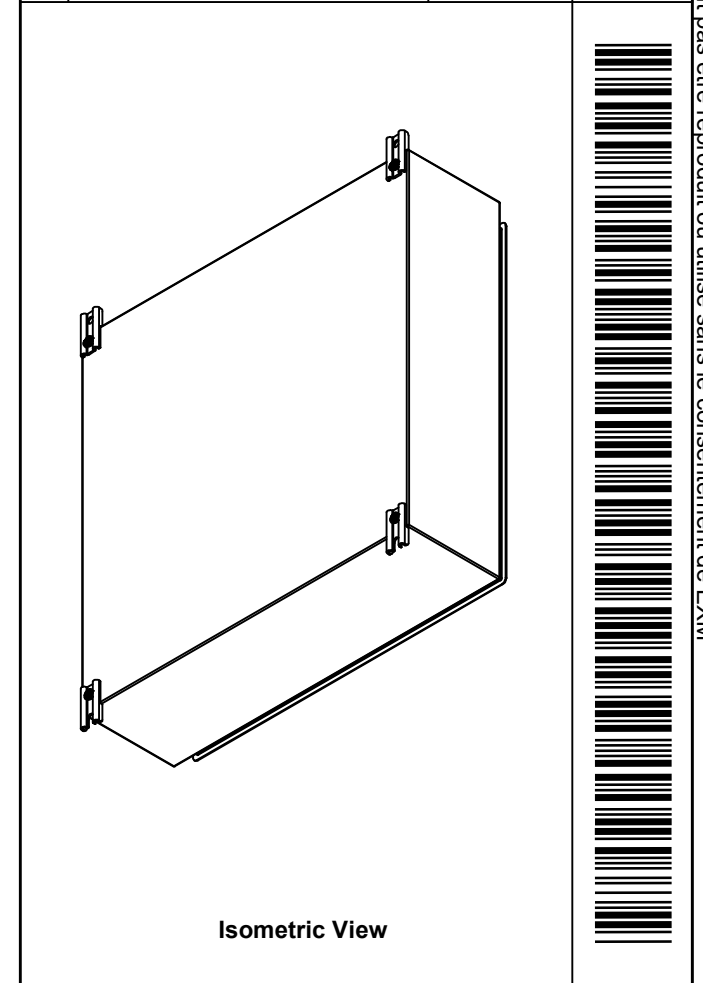


|  |   |                    |
|--|---|--------------------|
|  | Description<br>6412ES 600mm x 600mm x 170mm Body      | Status<br>(NULL)   |
|  | Part Number<br>Numéro Pièce<br><b>6412ES060620THB</b> | Rev. 6<br><b>0</b> |


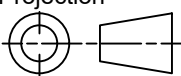
This drawing is confidential and must not be reproduced or used without the consent of EXM

Ce dessin est confidentiel et ne doit pas être reproduit ou utilisé sans le consentement de EXM

| No. | Revisions | Date | By/Par |
|-----|-----------|------|--------|
|     |           |      |        |
|     |           |      |        |
|     |           |      |        |
|     |           |      |        |
|     |           |      |        |

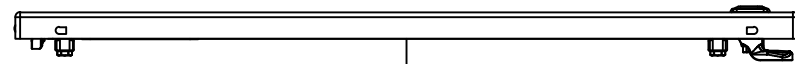


|            |                     |     |  |
|------------|---------------------|-----|--|
| 1          | 885 ESMF3           | 0   | 885 ESMF3 Mounting Foot Kit                |
| 4          | RIVET_NUT_M10_FH_CE | 0   | Rivet Nut M10 (Low Profile Close End)      |
| 1          | STK-K-70554         | 3   | 5412 ESTH Accessory Kit                    |
| 1          | 6412ES060620THI-RS  | 0   | 6412ES 600mm x 600mm Right Insulation      |
| 1          | 6412ES060620THI-LS  | 0   | 6412ES 600mm x 600mm Left Insulation       |
| 1          | 6412ES060620THI-BT  | 0   | 6412ES 600mm x 600mm Bottom Insulation     |
| 1          | 6412ES060620THI-TP  | 0   | 6412ES 600mm x 600mm Top Insulation        |
| 1          | 6412ES060620THI-B   | 0   | 6412ES 600mm x 600mm Back Insulation       |
| 4          | STK-Q-16055         | 1   | M6 x 18mm Stud (No Paint Cap Required)     |
| 1          | STK-P-03820R        | 0   | Powder Paint (Light Grey / Rough Textured) |
| 4          | STK-Q-16005         | 0   | Stud M8 x 35mm Steel                       |
| 1          | 6412ES060620THB-P   | 0   | 6412ES 600mm x 600mm x 170mm Body Part     |
| Qty        | Part Number         | Rev | Description                                |
| Parts List |                     |     |  |

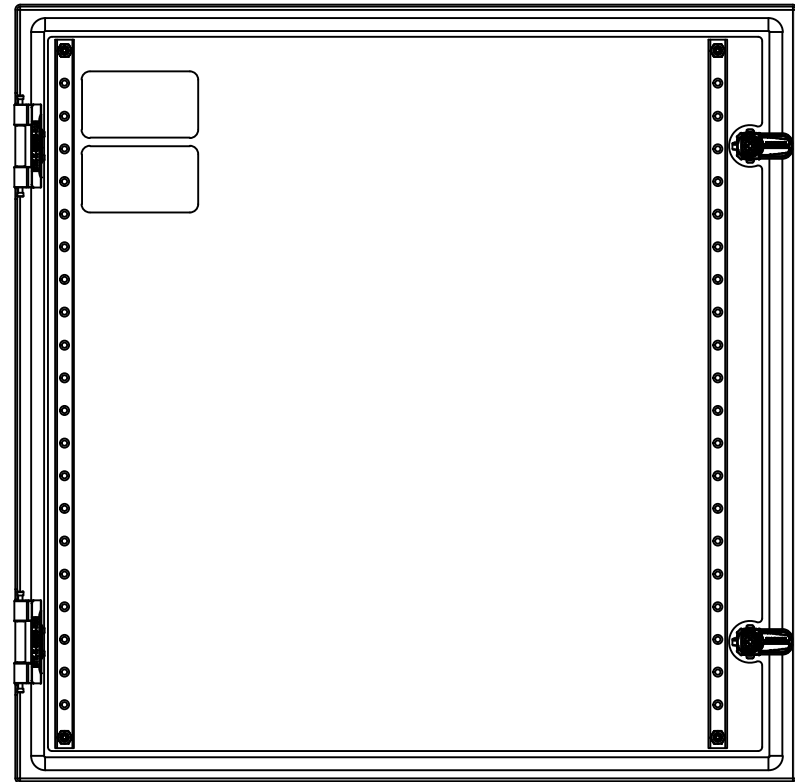
|  |   |  |
|--|---|--|
|  Tél: (450) 979-4373<br>Fax: (450) 979-4626<br><a href="http://www.exmweb.com">www.exmweb.com</a> |   | Flatness<br>Aplatissement<br>Max 3.0mm |
| Projection<br>  |   | Date<br>16-Jan-25                      |
| Customer<br>Client   | BoxCad: BoxCad                            | Date                                   |
| Drawn By<br>Dessiné Par  | 16 Ga Cold Rolled A1008 CS Type B (1.4mm) | Date                                   |
| Material<br>Matière  | Light Grey RAL7035                        | Finish<br>Fini                         |
| Color<br>Couleur   | Light Grey RAL7035                        | Textured                               |
| Description  | 6412ES 600mm x 600mm x 170mm Body         | Detail Rev.                            |
| Part Number<br>Numéro Pièce  | <b>6412ES060620THB</b>                    | Rev. 7                                 |
|  |   | 0 16                                   |

This drawing is confidential and must not be reproduced or used without the consent of EXM

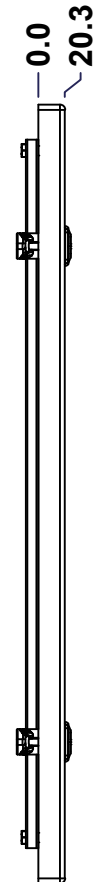
Ce dessin est confidentiel et ne doit pas être reproduit ou utilisé sans le consentement de EXM



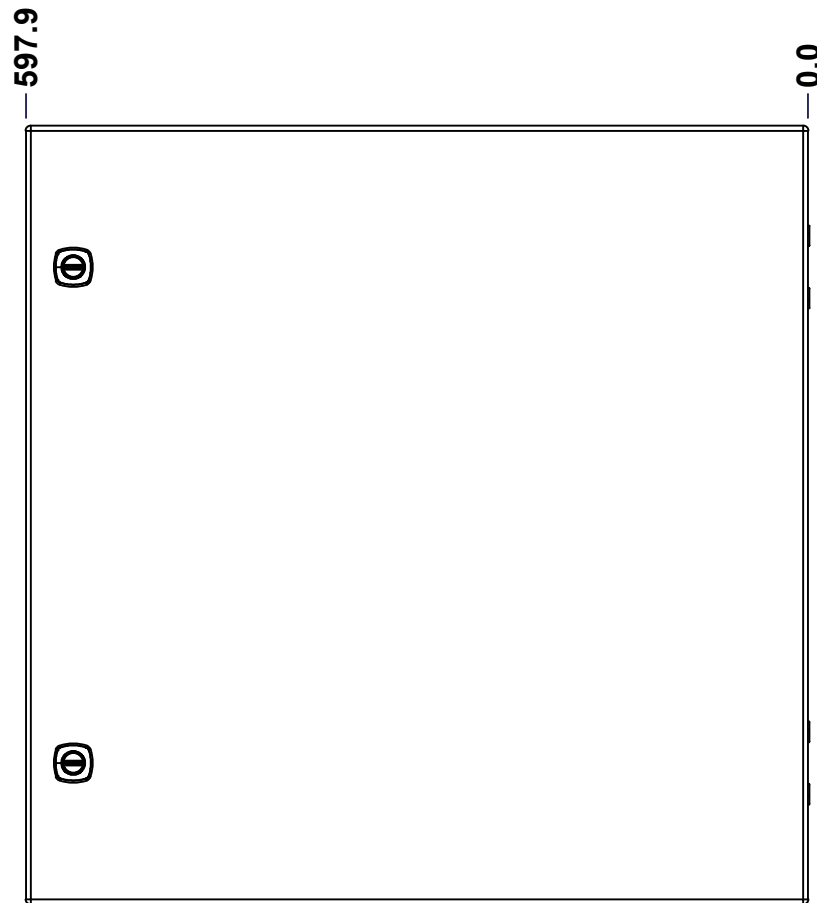
TOP



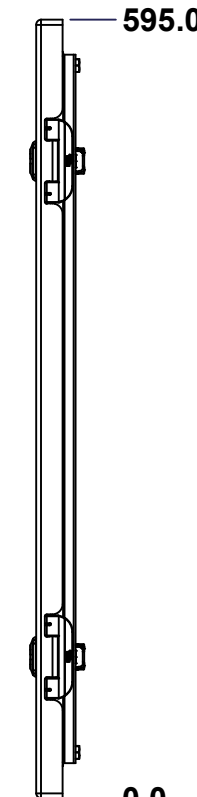
BACK



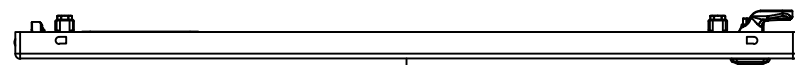
LEFT



FRONT

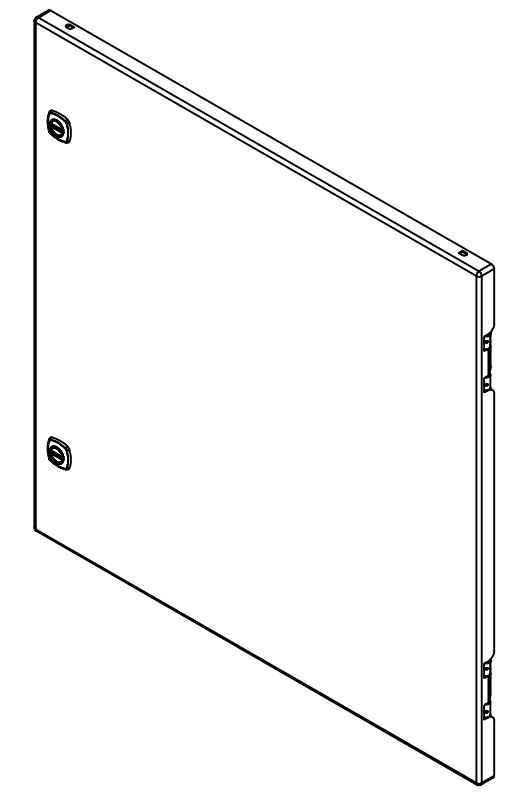


RIGHT




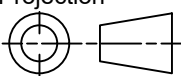
BOTTOM

| No. | Revisions | Date | By/Par |
|-----|-----------|------|--------|
|     |           |      |        |
|     |           |      |        |
|     |           |      |        |
|     |           |      |        |



Isometric View



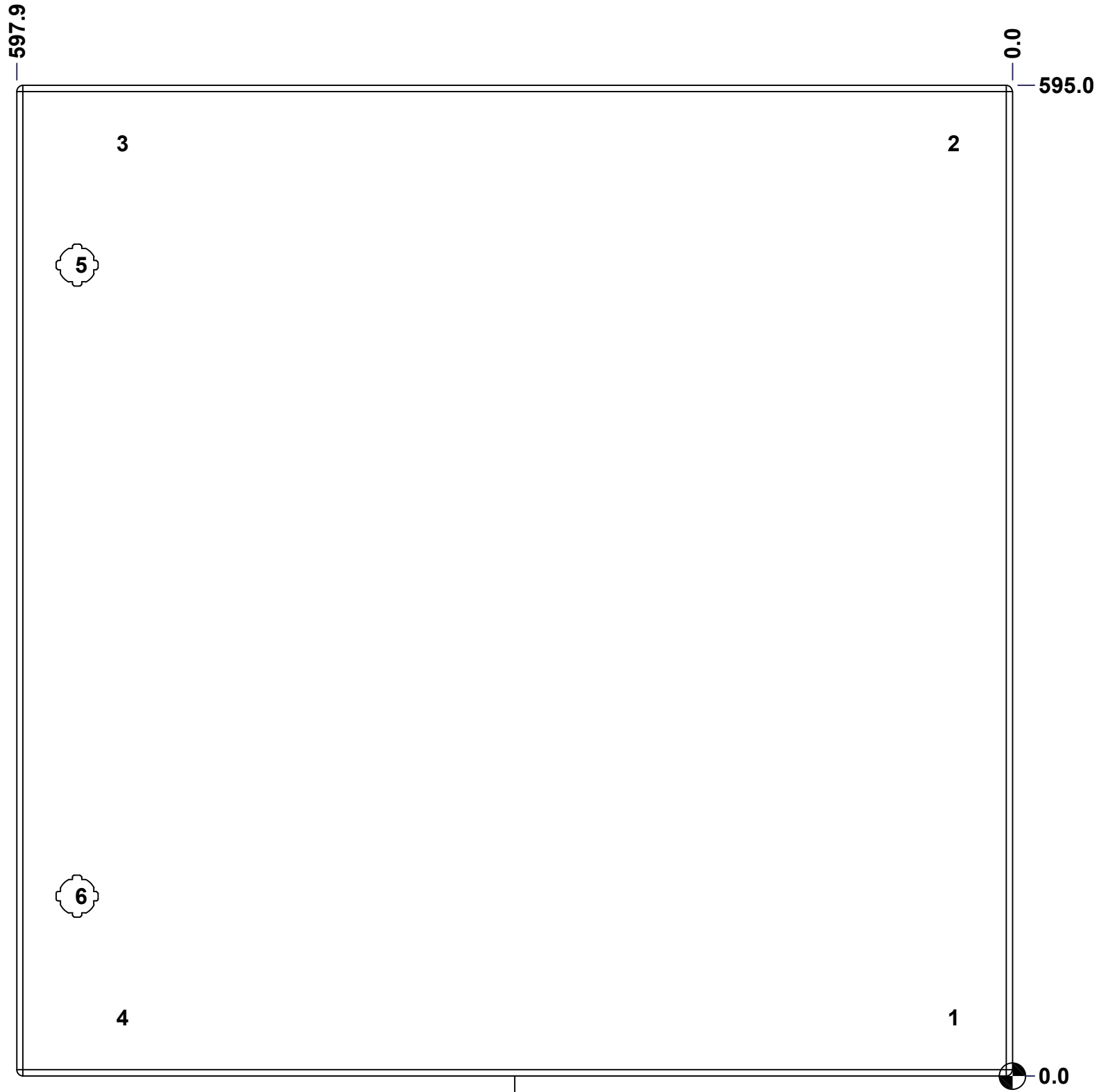
|  |   |   |
|--|---|---|
|  Tél: (450) 979-4373<br>Fax: (450) 979-4626<br><a href="http://www.exmweb.com">www.exmweb.com</a> | Flatness<br>Aplatissement                 | Max 3.0mm   |
|  | Projection                                |  |
| Customer<br>Client   | Date                                      |   |
| Drawn By<br>Dessiné Par  | BoxCad: BoxCad                            | Date 16-Jan-25  |
| Material<br>Matière  | 16 Ga Cold Rolled A1008 CS Type B (1.4mm) |   |
| Color<br>Couleur   | Light Grey RAL7035                        | Finish<br>Fini Textured   |
| Description  | Detail Rev.                               |   |
| 6412ES 600mm x 600mm Cover   |   |   |
| Part Number<br>Numéro Pièce  | Rev.                                      | 8   |
| <b>6412ES060620THC</b>   | <b>0</b>                                  | 16  |

SEE BILL OF MATERIAL ON LAST PAGE

This drawing is confidential and must not be reproduced or used without the consent of EXM

Ce dessin est confidentiel et ne doit pas être reproduit ou utilisé sans le consentement de EXM

| STANDARD FEATURES ARE NOT LISTED IN THIS HOLE TABLE |       |       |                           |
|---|-------|-------|---------------------------|
| HOLE TABLE - FRONT VIEW (CUSTOM FEATURE ONLY)       |       |       |                           |
| CUT-OUT   | XDIM  | YDIM  | DESCRIPTION               |
| 1   | 37.7  | 35.0  | STUD M6 x 18mm (Inside)   |
| 2   | 37.7  | 560.0 | STUD M6 x 18mm (Inside)   |
| 3   | 536.9 | 560.0 | STUD M6 x 18mm (Inside)   |
| 4   | 536.9 | 35.0  | STUD M6 x 18mm (Inside)   |
| -----   |       |       |                           |
| 5   | 561.7 | 487.0 | LOCK 880 SCQ4-SL @ 180.0° |
| 6   | 561.7 | 108.0 | LOCK 880 SCQ4-SL @ 180.0° |



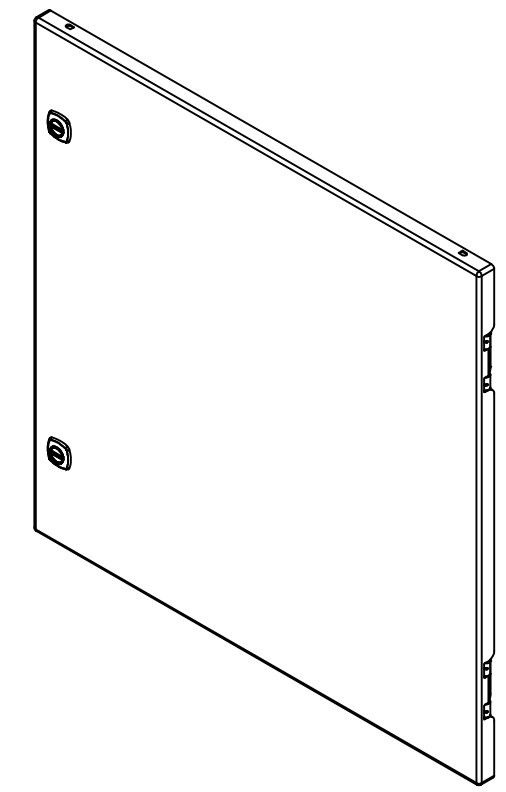
FRONT

|   |                            |        |
|---|----------------------------|--------|
|   | Description                | Status |
|   | 6412ES 600mm x 600mm Cover | (NULL) |
| Part Number<br>Numéro Pièce<br><b>6412ES060620THC</b> | Rev.                       | 9      |
|   | <b>0</b>                   | 16     |

This drawing is confidential and must not be reproduced or used without the consent of EXM

Ce dessin est confidentiel et ne doit pas être reproduit ou utilisé sans le consentement de EXM

| No. | Revisions | Date | By/Par |
|-----|-----------|------|--------|
|     |           |      |        |
|     |           |      |        |
|     |           |      |        |
|     |           |      |        |
|     |           |      |        |



Isometric View




 Tél: (450) 979-4373  
 Fax: (450) 979-4626  
[www.exmweb.com](http://www.exmweb.com)

Flatness / Aplatissement: Max 3.0mm  
 Projection: 

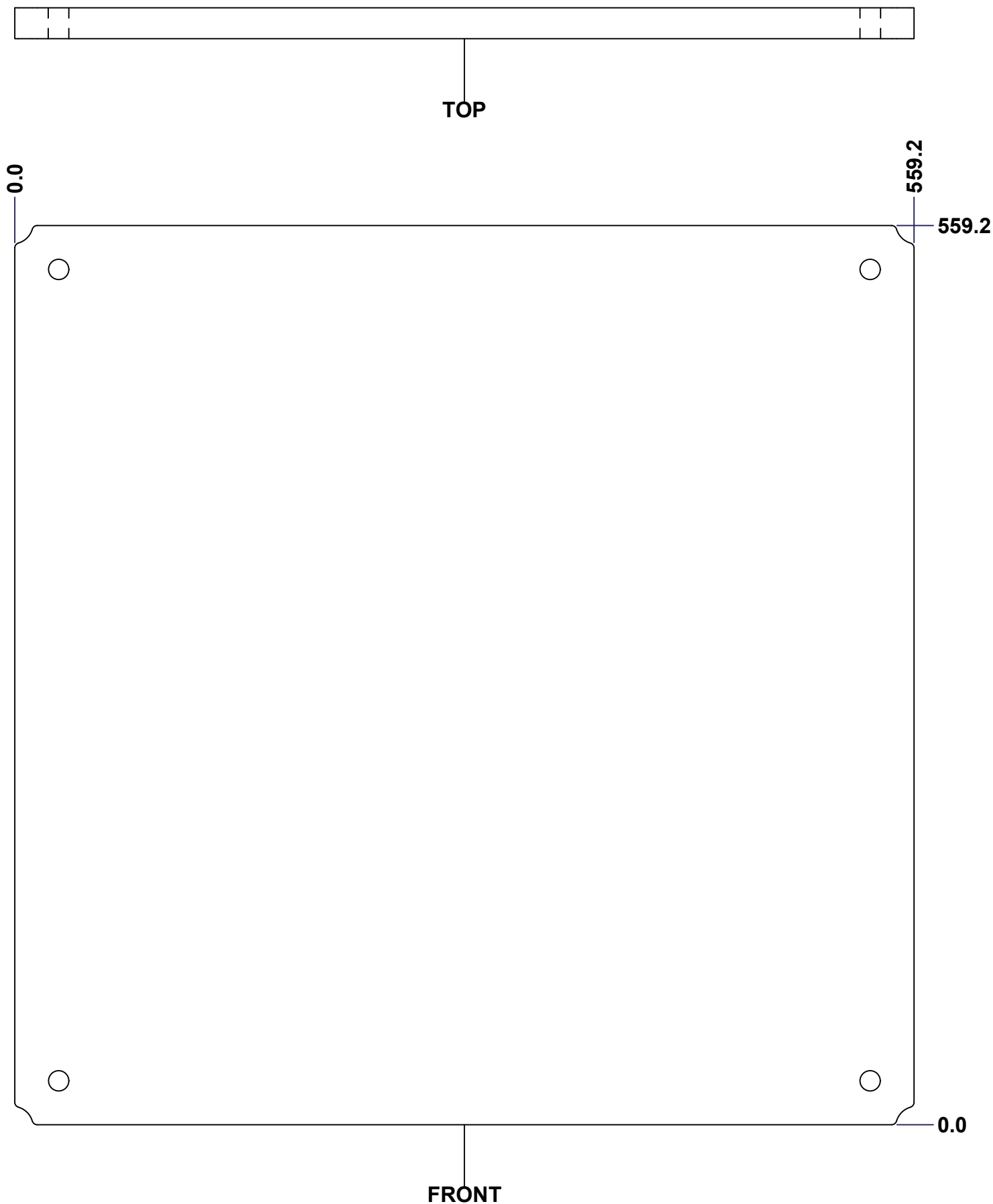
|   |                   |    |   |
|---|-------------------|----|---|
| 2 | STK-K-12500       | 19 | 5412 ES 1/4 Turn Lock                               |
| 2 | STK-S-00100       | 0  | 3.5" x 2" Silver Milar Flexcon Sticker              |
| 4 | STK-Q-07250       | 2  | M6 x 16mm Collar Nut                                |
| 2 | STK-Q-46020-24    | 5  | 5412 ES Vertical Door Stiffener 24"                 |
| 1 | 6412ES060620THI-C | 0  | 6412ES 23.62204724" x 23.62204724" Cover Insulation |
| 1 | STK-P-03820R      | 0  | Powder Paint (Light Grey / Rough Textured)          |
| 4 | STK-Q-16055       | 1  | M6 x 18mm Stud (No Paint Cap Required)              |
| 1 | 6412ES060620THG   | 0  | 6412ES 600mm x 600mm Cover Gasket Part              |
| 1 | 6412ES060620THC-P | 0  | 6412ES 600mm x 600mm Cover Part                     |
| 2 | STK-K-09800       |    | 5412 ES Hinge with 2 Captive Hinge Pins             |

|   |                         |
|---|-------------------------|
| Customer Client   | Date                    |
| Drawn By / Dessiné Par: BoxCad: BoxCad                        | Date: 16-Jan-25         |
| Material / Matière: 16 Ga Cold Rolled A1008 CS Type B (1.4mm) |                         |
| Color / Couleur: Light Grey RAL7035                           | Finish / Fini: Textured |
| Description: 6412ES 600mm x 600mm Cover                       | Detail Rev.             |
| Part Number / Numéro Pièce: <b>6412ES060620THC</b>            | Rev. 0                  |

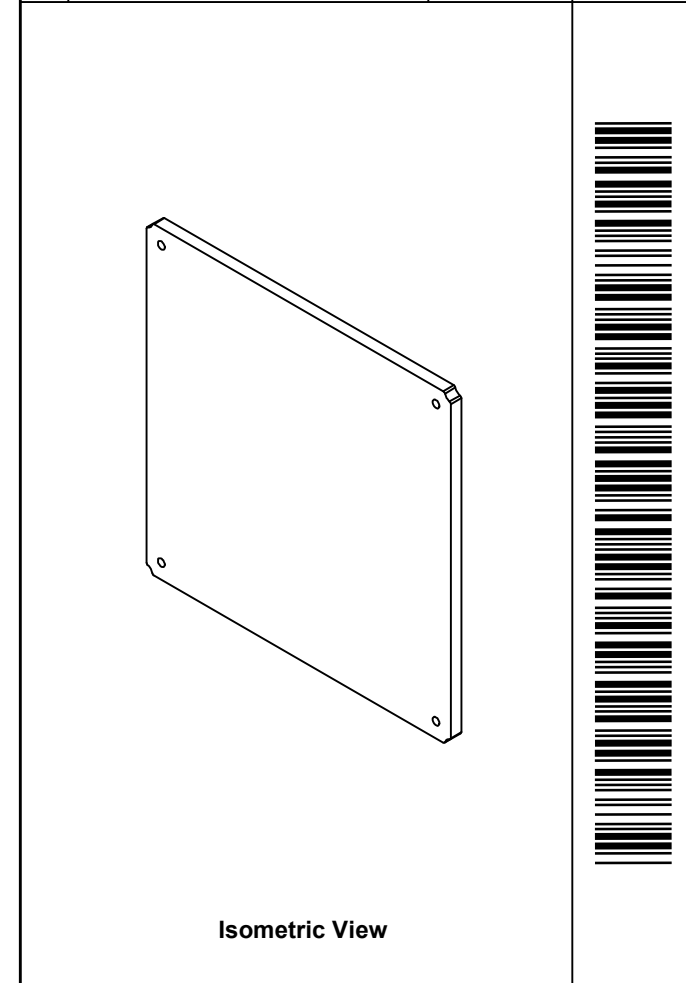
| QTY        | Part Number | Rev | Description |
|------------|-------------|-----|-------------|
| Parts List |             |     |             |


This drawing is confidential and must not be reproduced or used without the consent of EXM

Ce dessin est confidentiel et ne doit pas être reproduit ou utilisé sans le consentement de EXM



| No. | Revisions | Date | By/Par |
|-----|-----------|------|--------|
|     |           |      |        |
|     |           |      |        |
|     |           |      |        |
|     |           |      |        |
|     |           |      |        |

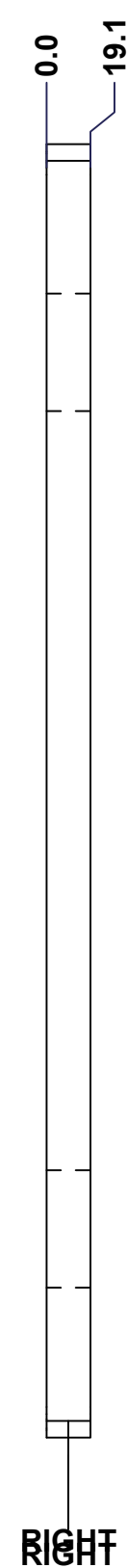
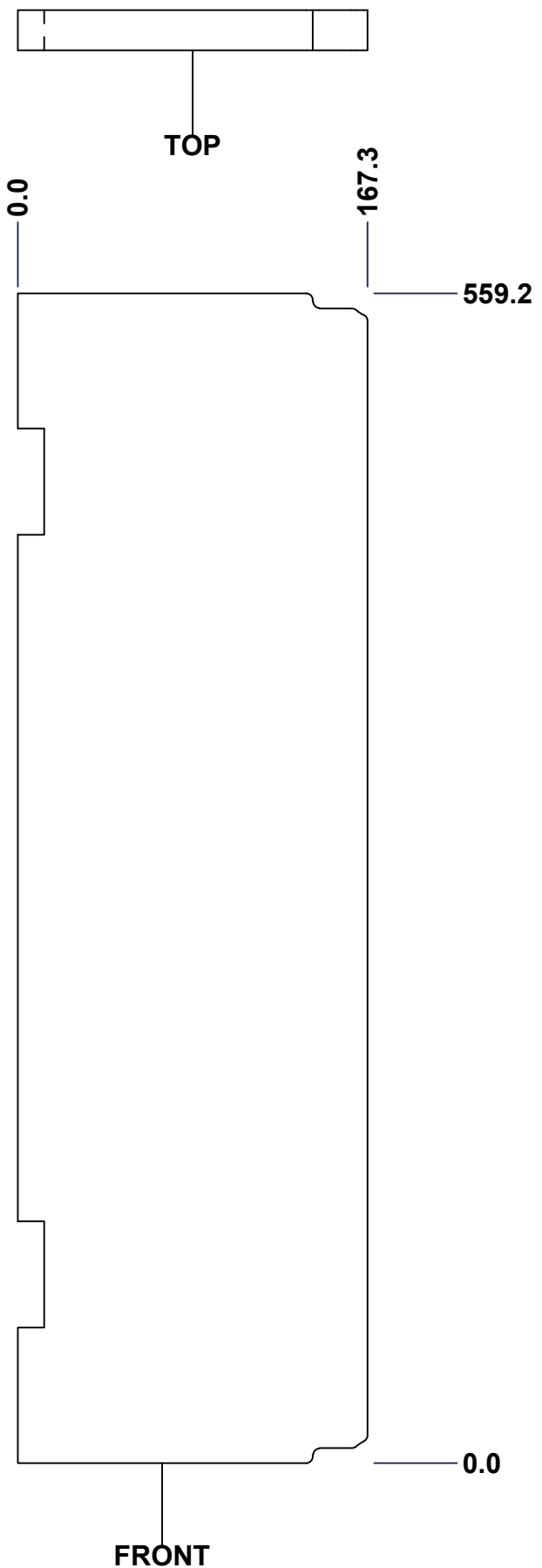


|  |          |                           |             |
|--|----------|---------------------------|-------------|
|  Tél: (450) 979-4373<br>Fax: (450) 979-4626<br><a href="http://www.exmweb.com">www.exmweb.com</a> |          | Flatness<br>Aplatissement |             |
|  |          | Max 3.0mm                 |             |
| Customer<br>Client   |          | Date                      |             |
| Drawn By<br>Dessiné Par  |          | Date                      |             |
| Material<br>Matière  |          | Polyisocyanurate          |             |
| Color<br>Couleur   | Aluminum | Finish<br>Fini            | N/A         |
| Description  |          |                           | Detail Rev. |
| 6412ES 600mm x 600mm Back Insulation   |          |                           |             |
| Part Number<br>Numéro Pièce  |          | Rev.                      | 11          |
| 6412ES060620THI-B  |          | 0                         | 16          |

**SEE BILL OF MATERIAL ON LAST PAGE**

This drawing is confidential and must not be reproduced or used without the consent of EXM


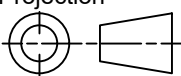
Ce dessin est confidentiel et ne doit pas être reproduit ou utilisé sans le consentement de EXM



Isometric View



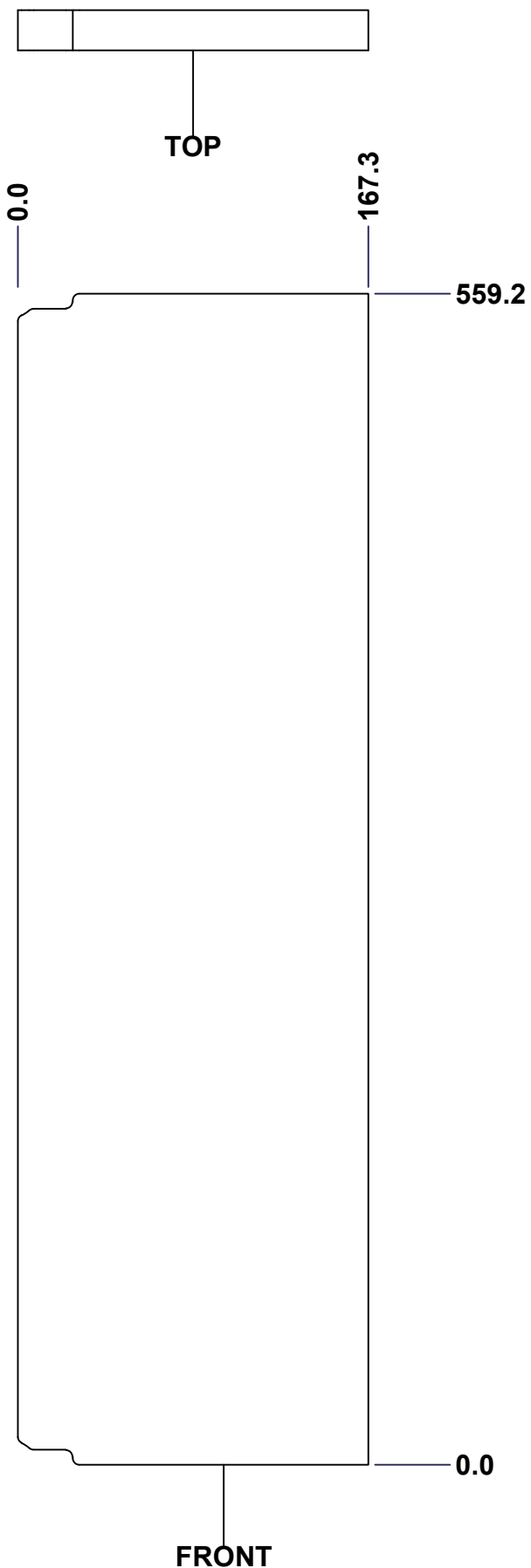
| No. | Revisions | Date | By/Par |
|-----|-----------|------|--------|
|     |           |      |        |
|     |           |      |        |
|     |           |      |        |
|     |           |      |        |
|     |           |      |        |

|  |                           |   |
|--|---------------------------|---|
|  Tél: (450) 979-4373<br>Fax: (450) 979-4626<br><a href="http://www.exmweb.com">www.exmweb.com</a> |                           | Flatness<br>Aplatissement<br>Max 3.0mm<br>Projection<br> |
| Customer Client  | Date                      |   |
| Drawn By<br>Dessiné Par  | BoxCad: Patrick Deschenes | Date 23-Jan-07  |
| Material<br>Matière  | Polyisocyanurate          |   |
| Color<br>Couleur   | Aluminum                  | Finish<br>Fini N/A  |
| Description  | Detail Rev.               |   |
| 6412ES 600mm x 600mm Left Insulation   |                           |   |
| Part Number<br>Numéro Pièce  | Rev.                      | 12  |
| <b>6412ES060620TH-LS</b>   | <b>0</b>                  | 16  |

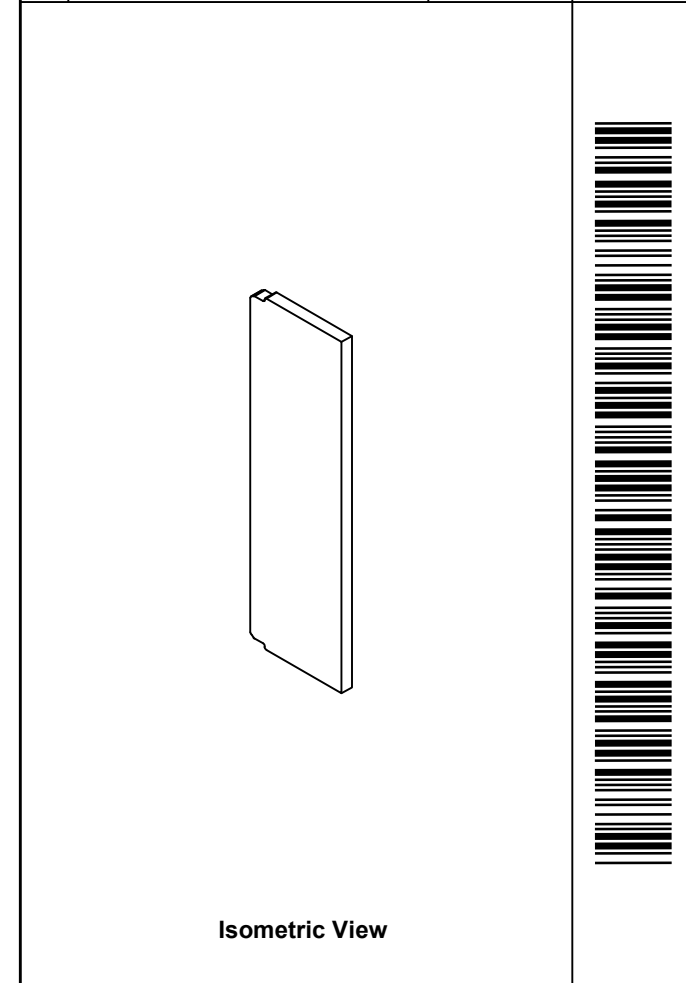
SEE BILL OF MATERIAL ON LAST PAGE

This drawing is confidential and must not be reproduced or used without the consent of EXM


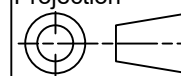
Ce dessin est confidentiel et ne doit pas être reproduit ou utilisé sans le consentement de EXM



| No. | Revisions | Date | By/Par |
|-----|-----------|------|--------|
|     |           |      |        |
|     |           |      |        |
|     |           |      |        |
|     |           |      |        |
|     |           |      |        |



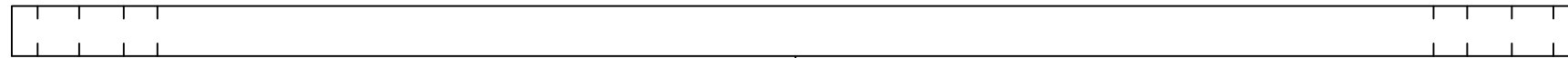
Isometric View

|  |                                       |  |
|--|---------------------------------------|--|
|  Tél: (450) 979-4373<br>Fax: (450) 979-4626<br><a href="http://www.exmweb.com">www.exmweb.com</a> |                                       | Flatness<br>Aplatissement<br>Max 3.0mm |
| Projection<br>  |                                       | Date                                   |
| Customer Client  | BoxCad: Patrick Deschenes             | Date 23-Jan-07                         |
| Material Matière   | Polyisocyanurate                      |  |
| Color Couleur  | Aluminum                              | Finish Fini N/A                        |
| Description  | 6412ES 600mm x 600mm Right Insulation |  |
| Part Number Numéro Pièce   | 6412ES060620THI-RS                    | Detail Rev. 13                         |
|  | Rev. 0                                | 16                                     |

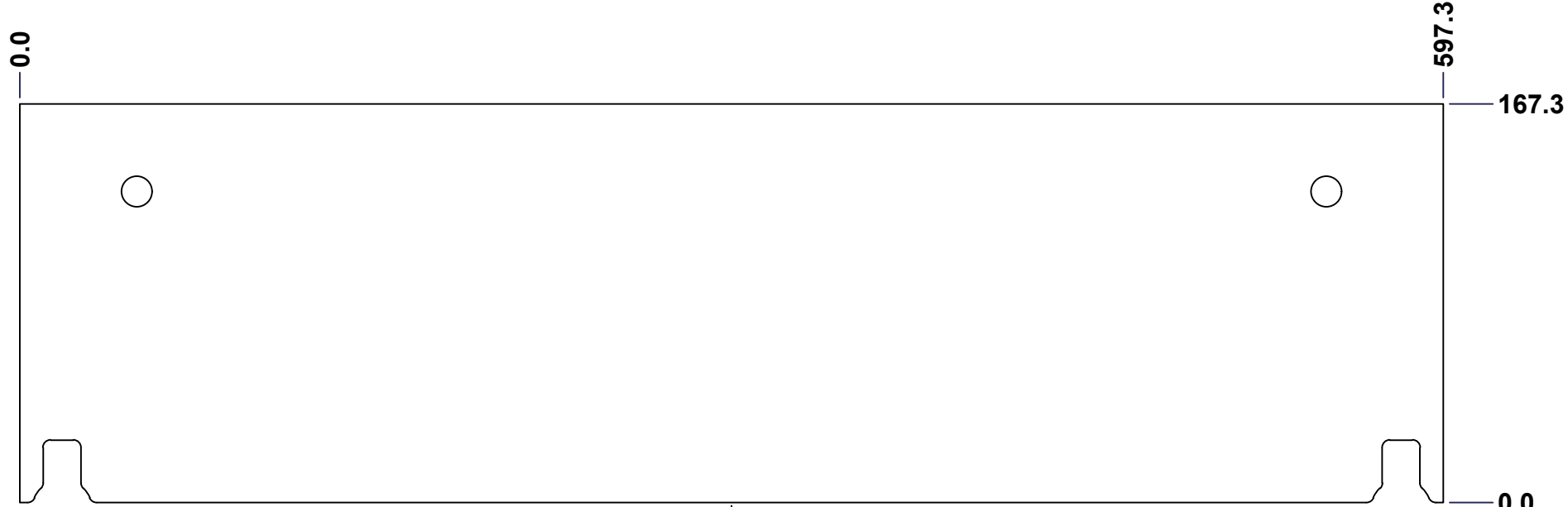
SEE BILL OF MATERIAL ON LAST PAGE

This drawing is confidential and must not be reproduced or used without the consent of EXM

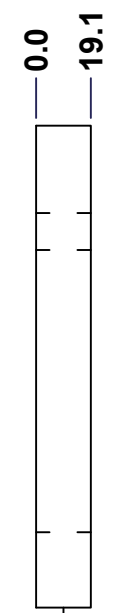
Ce dessin est confidentiel et ne doit pas être reproduit ou utilisé sans le consentement de EXM



TOP

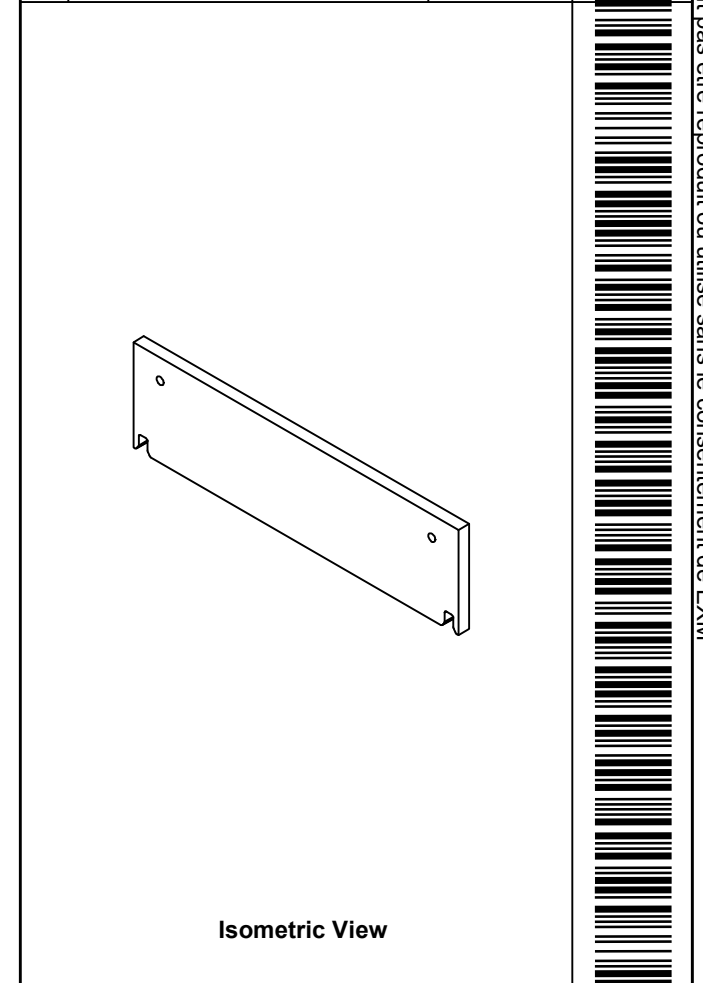



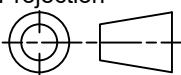
FRONT



RIGHT

| No. | Revisions | Date | By/Par |
|-----|-----------|------|--------|
|     |           |      |        |
|     |           |      |        |
|     |           |      |        |
|     |           |      |        |

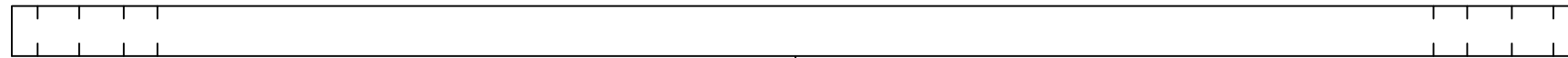


|  |                  |   |
|--|------------------|---|
|  Tél: (450) 979-4373<br>Fax: (450) 979-4626<br><a href="http://www.exmweb.com">www.exmweb.com</a> |                  | Flatness<br>Aplatissement<br>Max 3.0mm<br>Projection<br> |
| Customer Client  | Date             |   |
| Drawn By<br>Dessiné Par  | BoxCad: BoxCad   | Date 4/3/2024   |
| Material<br>Matière  | Polyisocyanurate |   |
| Color<br>Couleur   | Aluminum         | Finish<br>Fini Textured   |
| Description  | Detail Rev.      |   |
| 6412ES 600mm x 600mmTop Insulation   |                  |   |
| Part Number<br>Numéro Pièce  | Rev.             | 14  |
| <b>6412ES060620THI-TP</b>  | <b>0</b>         | 16  |

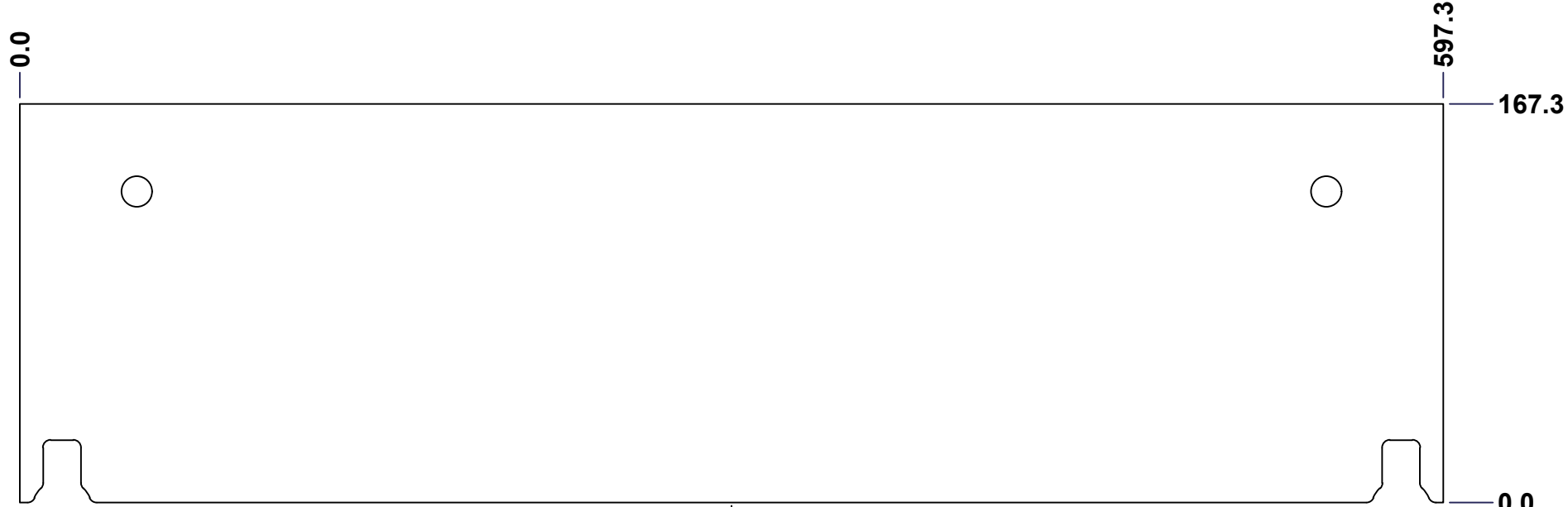
SEE BILL OF MATERIAL ON LAST PAGE

This drawing is confidential and must not be reproduced or used without the consent of EXM

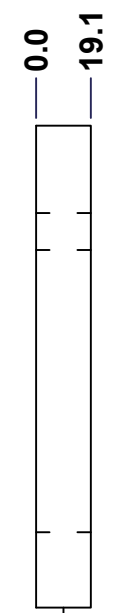
Ce dessin est confidentiel et ne doit pas être reproduit ou utilisé sans le consentement de EXM



TOP

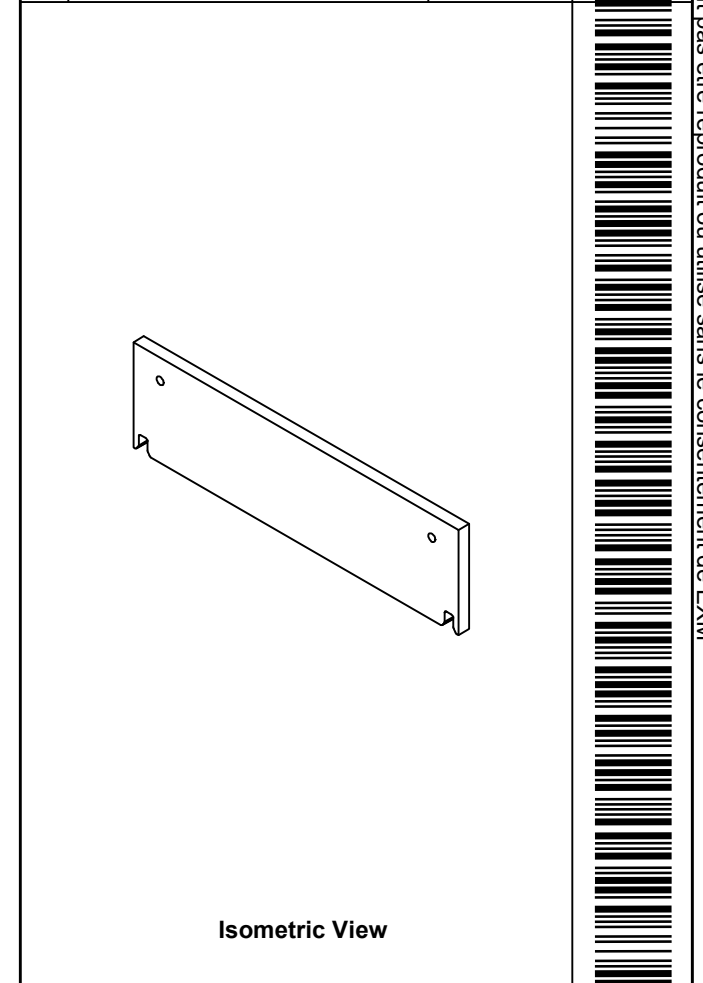



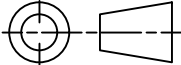
FRONT



RIGHT

| No. | Revisions | Date | By/Par |
|-----|-----------|------|--------|
|     |           |      |        |
|     |           |      |        |
|     |           |      |        |
|     |           |      |        |

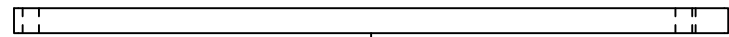


|  |                  |   |
|--|------------------|---|
|  Tél: (450) 979-4373<br>Fax: (450) 979-4626<br><a href="http://www.exmweb.com">www.exmweb.com</a> |                  | Flatness<br>Aplatissement<br>Max 3.0mm<br>Projection<br> |
| Customer Client  | Date             |   |
| Drawn By<br>Dessiné Par  | BoxCad: BoxCad   | Date 4/3/2024   |
| Material<br>Matière  | Polyisocyanurate |   |
| Color<br>Couleur   | Aluminum         | Finish<br>Fini Textured   |
| Description  | Detail Rev.      |   |
| 6412ES 600mm x 600mmBottom Insulation  |                  |   |
| Part Number<br>Numéro Pièce  | Rev.             | 15  |
| <b>6412ES060620THI-BT</b>  | <b>0</b>         | 16  |

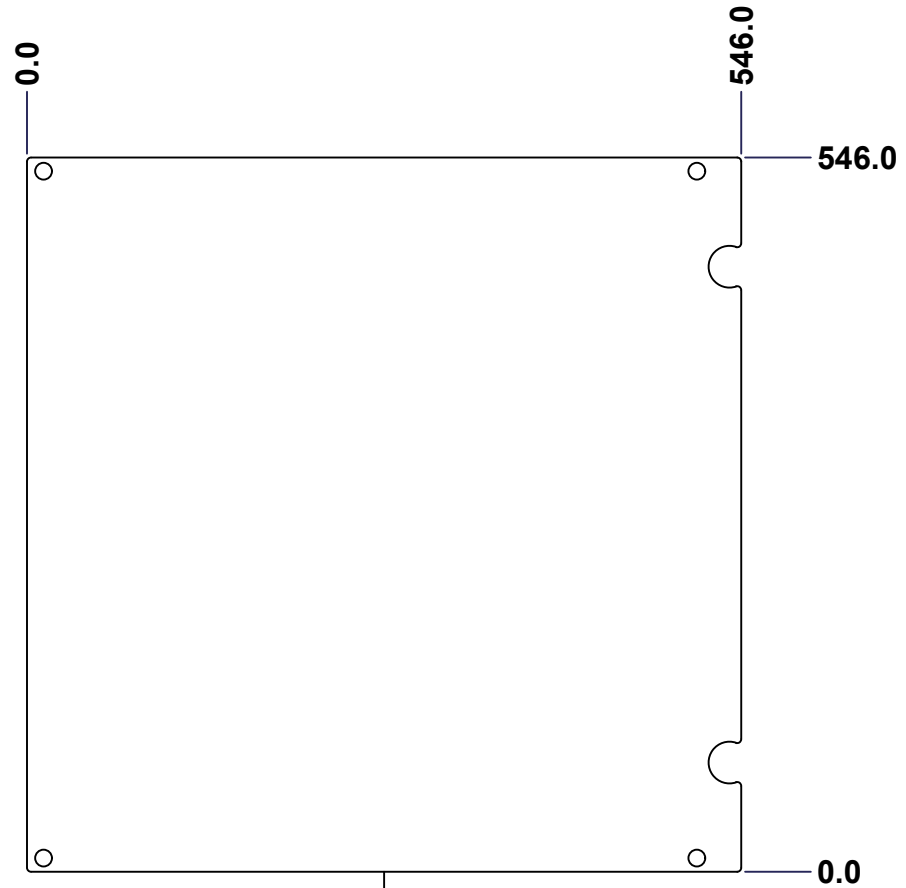
SEE BILL OF MATERIAL ON LAST PAGE

This drawing is confidential and must not be reproduced or used without the consent of EXM

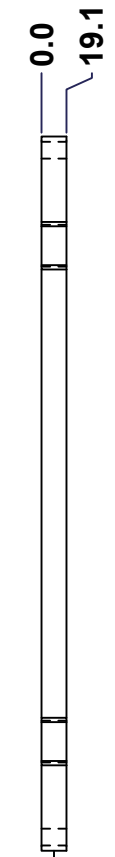
Ce dessin est confidentiel et ne doit pas être reproduit ou utilisé sans le consentement de EXM



TOP

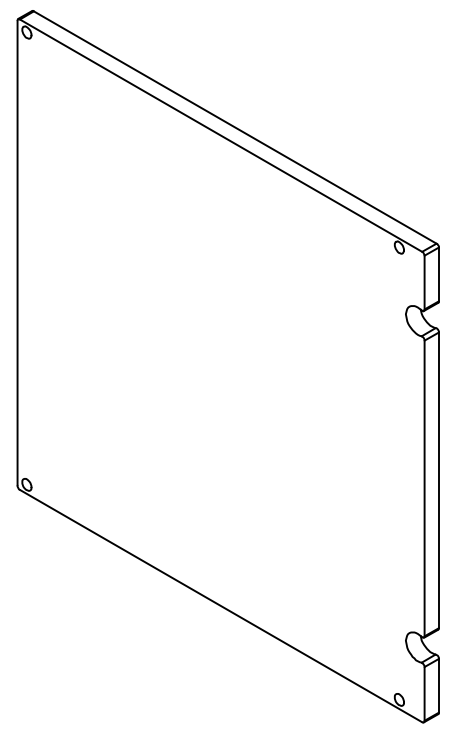


FRONT



RIGHT

| No. | Revisions | Date | By/Par |
|-----|-----------|------|--------|
|     |           |      |        |
|     |           |      |        |
|     |           |      |        |
|     |           |      |        |



Isometric View



Tél: (450) 979-4373  
 Fax: (450) 979-4626  
[www.exmweb.com](http://www.exmweb.com)

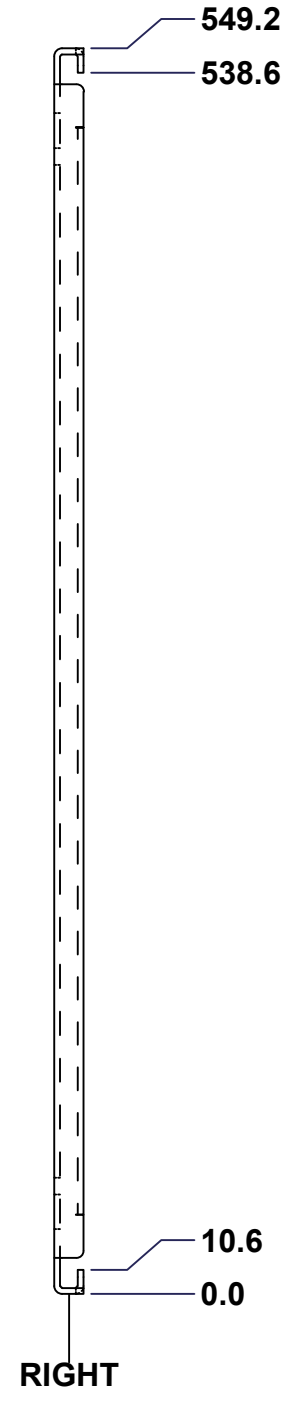
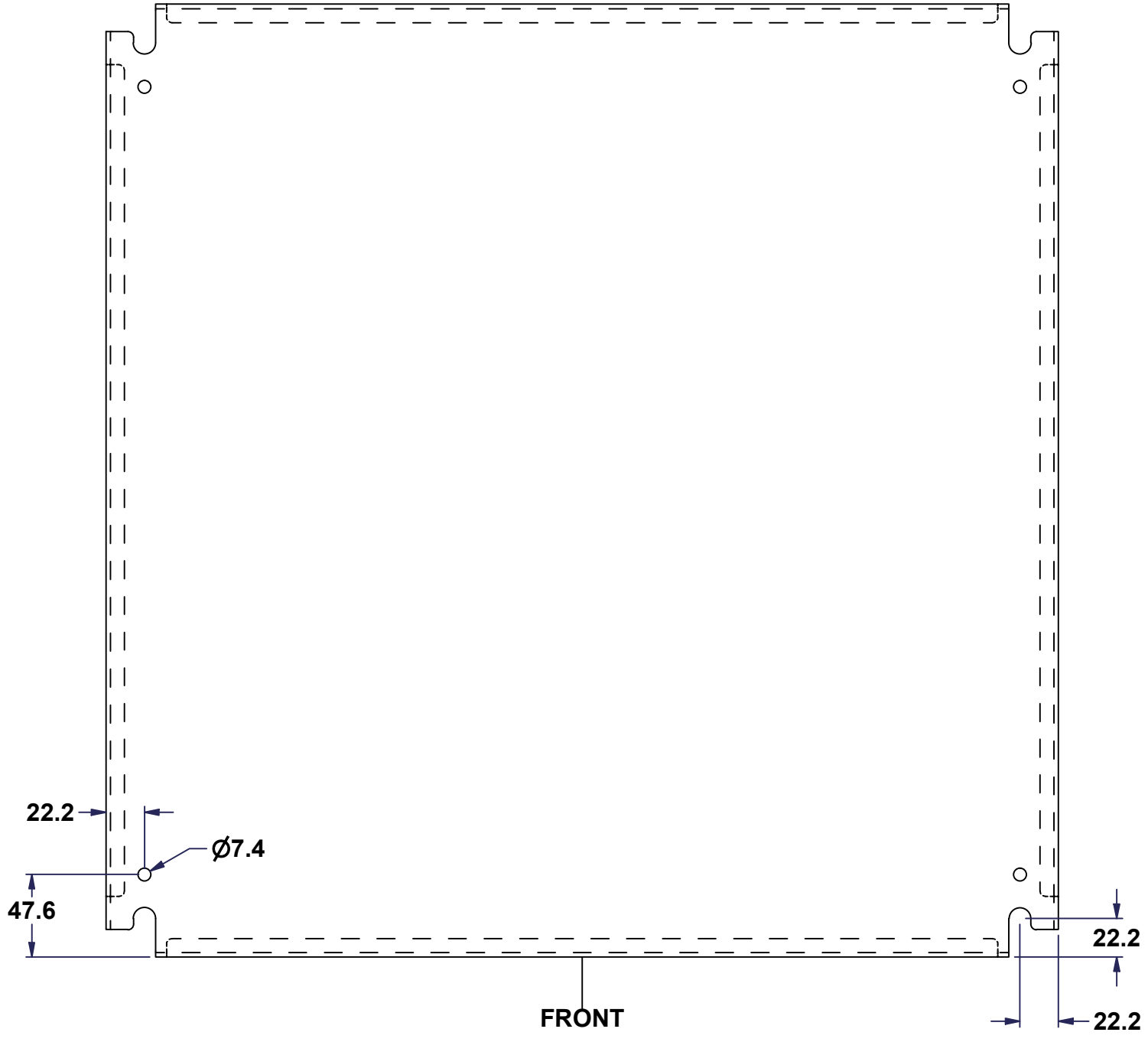
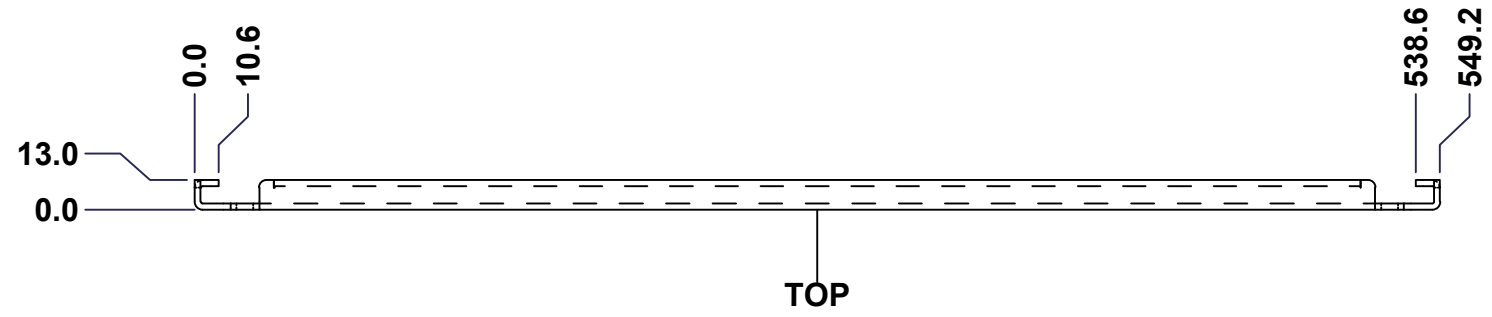
Flatness  
Aplatissement  
Max 3.0mm  
Projection

|  |                       |
|--|-----------------------|
| Customer Client  | Date                  |
| Drawn By / Dessiné Par: BoxCad: Patrick Deschenes                | Date: 23-Jan-07       |
| Material / Matière: Polyisocyanurate                             |                       |
| Color / Couleur: Aluminum  | Finish / Fini: N/A    |
| Description: 6412ES 23.62204724" x 23.62204724" Cover Insulation |                       |
| Part Number / Numéro Pièce: 6412ES060620THI-C                    | Detail Rev. / Rev.: 0 |
|  |                       |

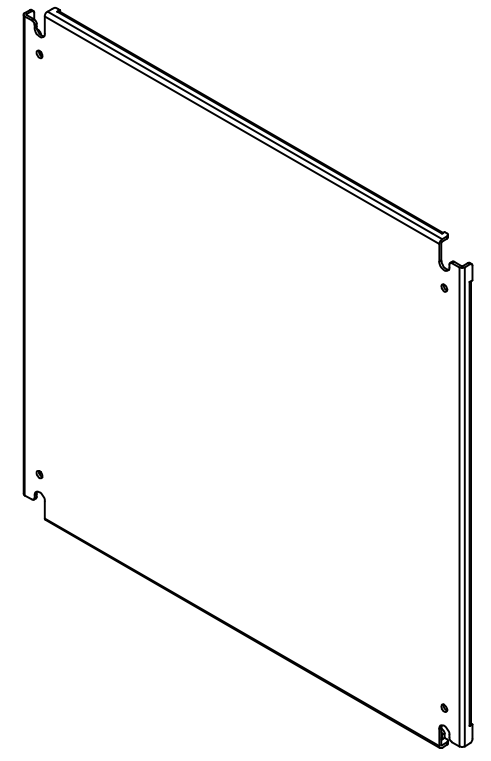
SEE BILL OF MATERIAL ON LAST PAGE

This drawing is confidential and must not be reproduced or used without the consent of EXM

Ce dessin est confidentiel et ne doit pas être reproduit ou utilisé sans le consentement de EXM



| No. | Revisions | Date | By/Par |
|-----|-----------|------|--------|
|     |           |      |        |
|     |           |      |        |
|     |           |      |        |
|     |           |      |        |



Isometric View



Tél: (450) 979-4373  
 Fax: (450) 979-4626  
 www.exmweb.com

Flatness  
Aplatissement  
Max 3.0mm  
Projection

|  |                          |
|--|--------------------------|
| Customer Client                              | Date                     |
| Drawn By / Dessiné Par: BoxCad               | Date: 23-Jan-07          |
| Material / Matière: 12 Ga Galvanized (2.5mm) |                          |
| Color / Couleur: Unpainted                   | Finish / Fini: Unpainted |

|                                   |             |
|-----------------------------------|-------------|
| Description: 886 SP - Inner Panel | Detail Rev. |
|-----------------------------------|-------------|

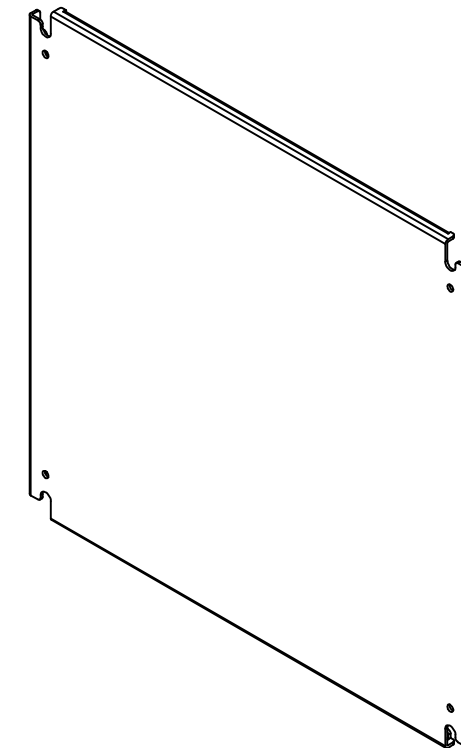
|  |        |       |
|--|--------|-------|
| Part Number / Numéro Pièce: 886 SP0606ES | Rev. 0 | 1 / 2 |
|--|--------|-------|

SEE BILL OF MATERIAL ON LAST PAGE

This drawing is confidential and must not be reproduced or used without the consent of EXM

Ce dessin est confidentiel et ne doit pas être reproduit ou utilisé sans le consentement de EXM

| No. | Revisions | Date | By/Par |
|-----|-----------|------|--------|
|     |           |      |        |
|     |           |      |        |
|     |           |      |        |
|     |           |      |        |
|     |           |      |        |



Isometric View



Tél: (450) 979-4373  
 Fax: (450) 979-4626  
 www.exmweb.com

Flatness  
Aplatissement  
Max 3.0mm

Projection

|  |                          |
|--|--------------------------|
| Customer Client                              | Date                     |
| Drawn By / Dessiné Par: BoxCad               | Date: 23-Jan-07          |
| Material / Matière: 12 Ga Galvanized (2.5mm) |                          |
| Color / Couleur: Unpainted                   | Finish / Fini: Unpainted |
| Description: 886 SP - Inner Panel            | Detail Rev.              |

| Qty        | Part Number    | Rev | Description               |
|------------|----------------|-----|---------------------------|
| 1          | 886 SP0606ES-P | 0   | 886 SP - Inner Panel Part |
| Parts List |                |     |                           |

|   |               |   |
|---|---------------|---|
| Part Number / Numéro Pièce: <b>886 SP0606ES</b> | Rev. <b>0</b> | 2 |
|   |               | 2 |