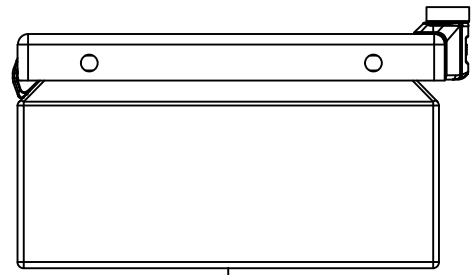
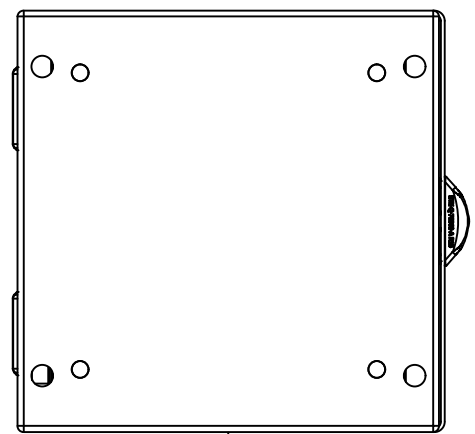


This drawing is confidential and must not be reproduced or used without the consent of EXM

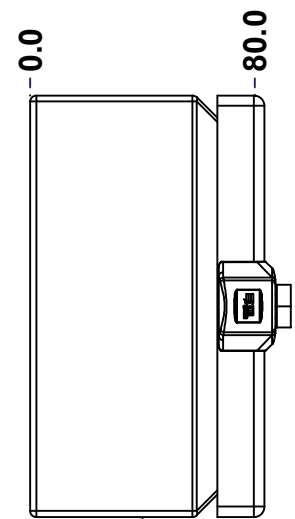
Ce dessin est confidentiel et ne doit pas être reproduit ou utilisé sans le consentement de EXM



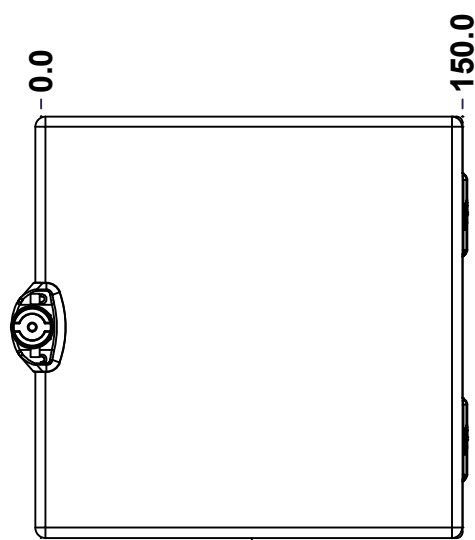
TOP



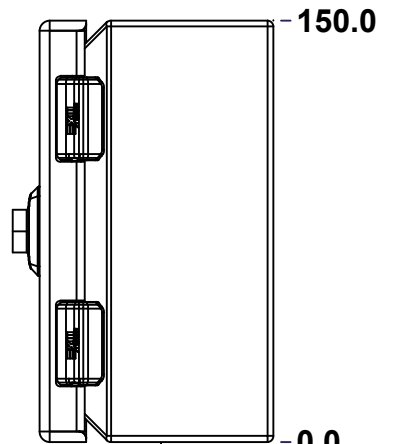
BACK



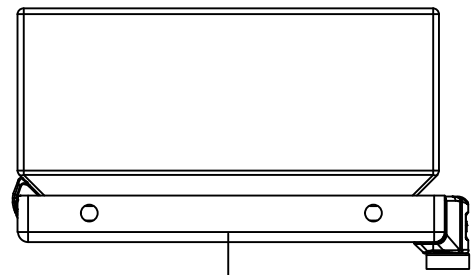
LEFT



FRONT

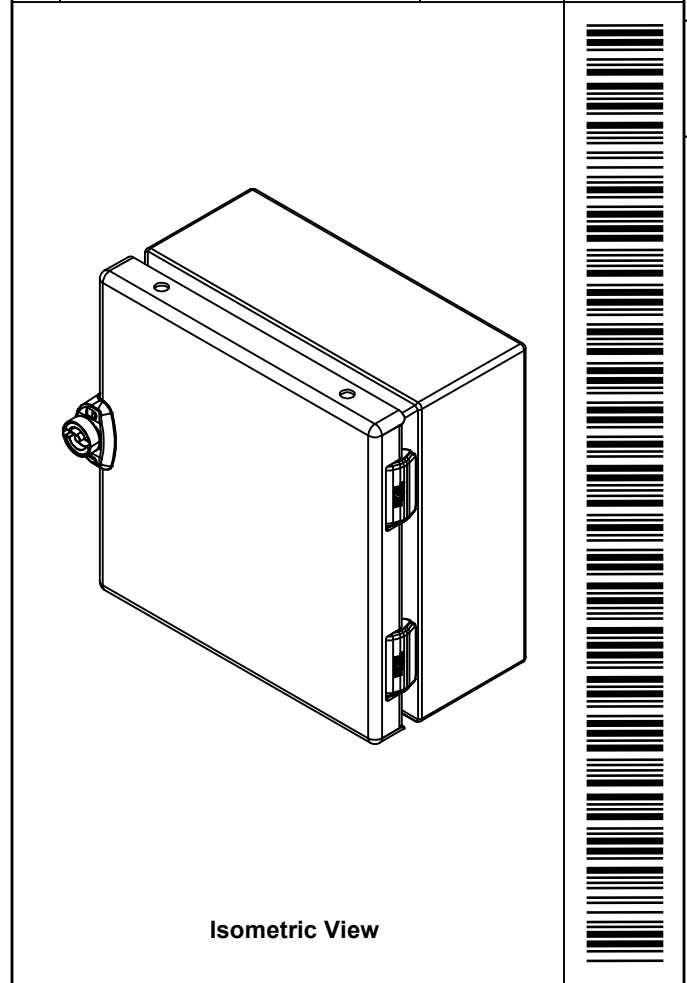


RIGHT




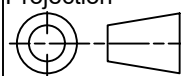
BOTTOM

| No. | Revisions | Date | By/Par |
|-----|-----------|------|--------|
| | | | |
| | | | |
| | | | |
| | | | |
| | | | |



Isometric View



| | | |
|--|---|---|
|  Tél: (450) 979-4373 Fax: (450) 979-4626 www.exmweb.com | | Flatness Aplatissement Max 3.0mm Projection  |
| Customer Client | | Date |
| Drawn By Dessiné Par | BoxCad: BoxCad | Date 08-Jan-25 |
| Material Matière | 16 Ga Cold Rolled A1008 CS Type B (1.4mm) | |
| Color Couleur | Light Grey RAL7035 | Finish Fini Textured |
| Description | Detail Rev. | |
| 6412ESCHTB 150mm x 150mm x 80mm Assembly | | |
| Part Number Numéro Pièce | Rev. 0 | 1 / 10 |
| 6412ESCHTB151508 | | |

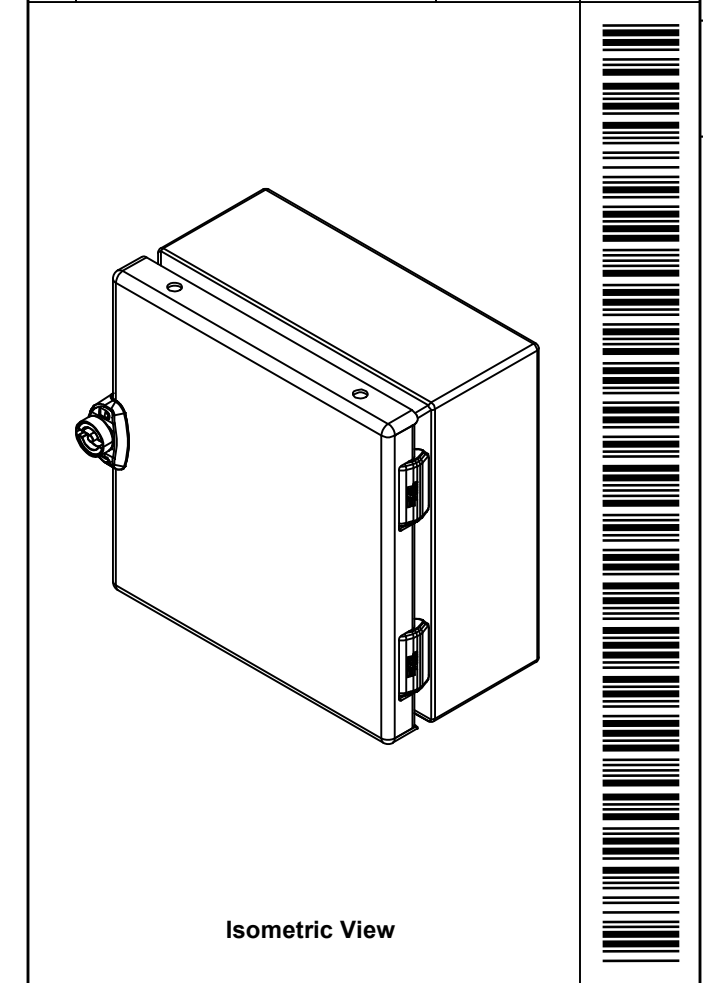
SEE BILL OF MATERIAL ON LAST PAGE


This drawing is confidential and must not be reproduced or used without the consent of EXM

Ce dessin est confidentiel et ne doit pas être reproduit ou utilisé sans le consentement de EXM

| NOTE | |
|------|--|
| ITEM | DESCRIPTION |
| 1 | NEMA 4, 12 Enclosure (IP66) |
| 2 | C/W Standard ground standoffs on box and cover |
| 3 | W/O Standard door stiffener |
| 4 | W/O Inner panel |
| 5 | C/W Standard inner panel mounting standoffs |

| No. | Revisions | Date | By/Par |
|-----|-----------|------|--------|
| | | | |
| | | | |
| | | | |
| | | | |
| | | | |
| | | | |



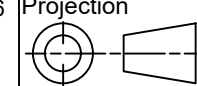


Tél: (450) 979-4373
Fax: (450) 979-4626
www.exmweb.com

Flatness
Aplatissement

Max 3.0mm

Projection



| | |
|---|----------------|
| Customer Client | Date |
| Drawn By Dessiné Par BoxCad: BoxCad | Date 08-Jan-25 |
| Material Matière 16 Ga Cold Rolled A1008 CS Type B (1.4mm) | |

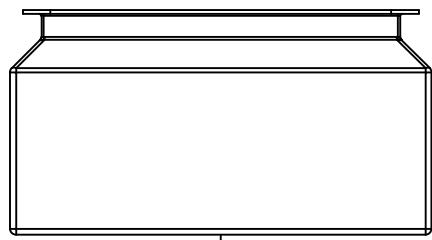
| PACKING | | |
|-----------------------|-----|--|
| ITEM | QTY | DESCRIPTION |
| Cardboard sleeve | 2 | Top and Bottom |
| Cardboard strip | 2 | Between back of enclosure and inner panel |
| Plastic bag | 1 | To protect cover surface and inside gasket |
| Plastic strap - Black | 2 | To Squeeze the 2 cardboard sleeve together |
| Packaging label | 1 | White label with product number |

| | | | |
|------------|----------------------|-----|---|
| 1 | 6412ESCHTB151508C | 0 | 6412ESCHTB 150mm x 150mm Cover |
| 1 | STK-K-02910 | 3 | 5412 ESCH Accessory Kit |
| 2 | 6412ESCHTB151508BR-P | 0 | 6412ESCHTB 150mm Bracket Part |
| 8 | STK-Q-07210 | 0 | Flange Lock Nut M6 |
| 1 | 6412ESCHTB151508B | 0 | 6412ESCHTB 150mm x 150mm x 80mm Body |
| 2 | STK-A-08126 | 0 | M5 Stainless Steel 316 Nylon Insert Lock Nut with Incorporated Sealing Washer |
| Qty | Part Number | Rev | Description |
| Parts List | | | |

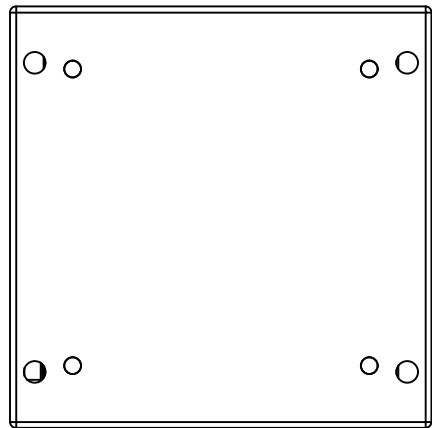
| | |
|---|-------------------------|
| Color Couleur Light Grey RAL7035 | Finish Fini Textured |
| Description 6412ESCHTB 150mm x 150mm x 80mm Assembly | |
| Part Number Numéro Pièce 6412ESCHTB151508 | Detail Rev. Rev. 2 |
| | 0 |
| | 10 |

This drawing is confidential and must not be reproduced or used without the consent of EXM

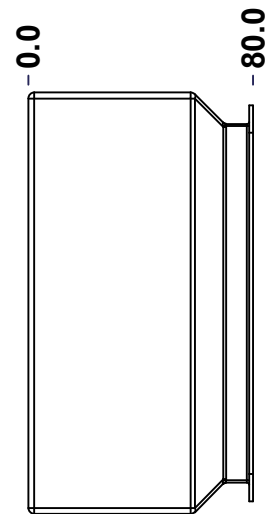
Ce dessin est confidentiel et ne doit pas être reproduit ou utilisé sans le consentement de EXM



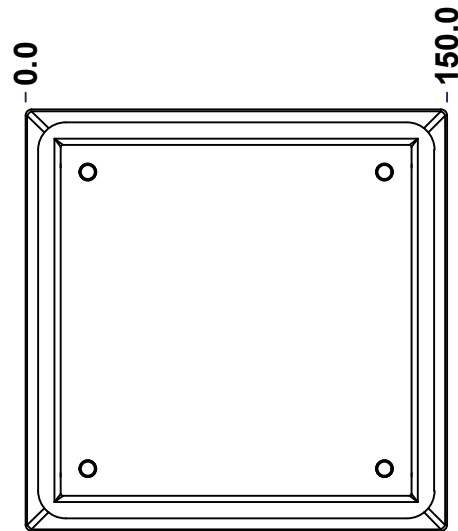
TOP



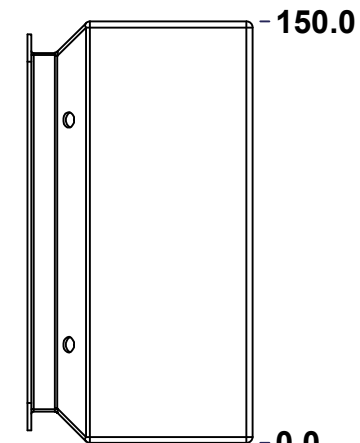
BACK



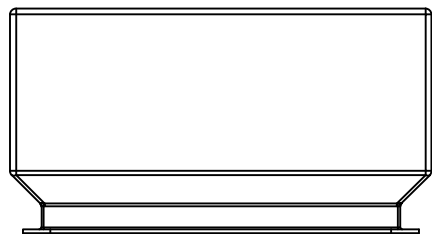
LEFT



FRONT

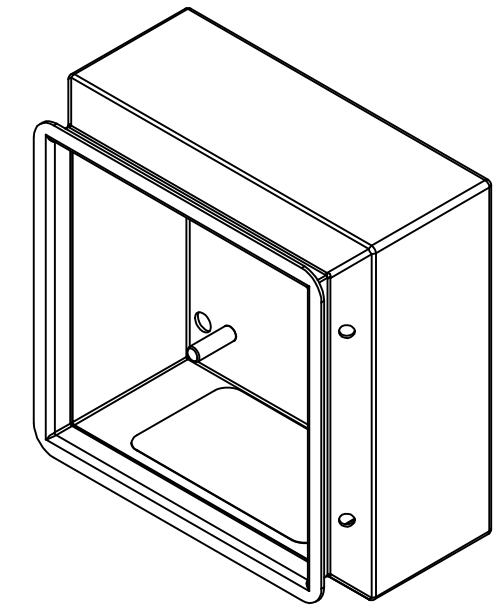


RIGHT



BOTTOM

| No. | Revisions | Date | By/Par |
|-----|-----------|------|--------|
| | | | |
| | | | |
| | | | |
| | | | |



Isometric View



Tél: (450) 979-4373
 Fax: (450) 979-4626
www.exmweb.com

Flatness
Aplatissement

Max 3.0mm

Projection



| | |
|---|-----------------|
| Customer Client | Date |
| Drawn By / Dessiné Par: BoxCad: BoxCad | Date: 08-Jan-25 |
| Material / Matière: 16 Ga Cold Rolled A1008 CS Type B (1.4mm) | |

| | |
|-------------------------------------|-------------------------|
| Color / Couleur: Light Grey RAL7035 | Finish / Fini: Textured |
|-------------------------------------|-------------------------|

| | |
|---|-------------|
| Description: 6412ESCHTB 150mm x 150mm x 80mm Body | Detail Rev. |
|---|-------------|

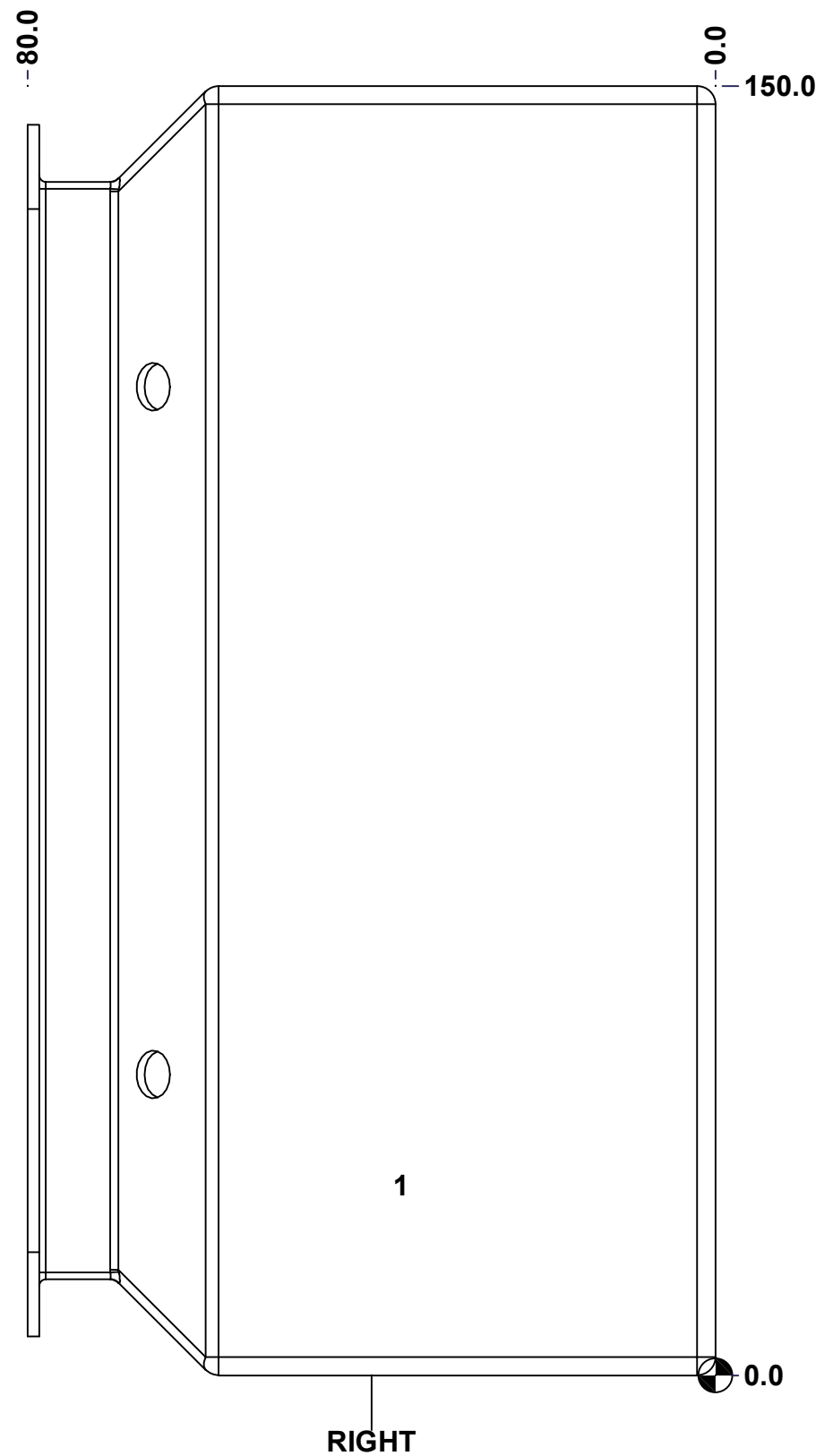
| | | |
|--|---------------|--------|
| Part Number / Numéro Pièce: 6412ESCHTB151508B | Rev. 0 | 3 / 10 |
|--|---------------|--------|

SEE BILL OF MATERIAL ON LAST PAGE

This drawing is confidential and must not be reproduced or used without the consent of EXM

Ce dessin est confidentiel et ne doit pas être reproduit ou utilisé sans le consentement de EXM

| STANDARD FEATURES ARE NOT LISTED IN THIS HOLE TABLE | | | |
|--|------|------|-----------------------------|
| HOLE TABLE - RIGHT VIEW (CUSTOM FEATURE ONLY) | | | |
| CUT-OUT | XDIM | YDIM | DESCRIPTION |
| 1 | 37.2 | 22.2 | STANDOFF M6 x 10mm (Inside) |



| | | |
|--|--|--------------------|
| | Description 6412ESCHTB 150mm x 150mm x 72.1mm Body | Status (NULL) |
| | Part Number Numéro Pièce 6412ESCHTB151508B | Rev. 4 0 |

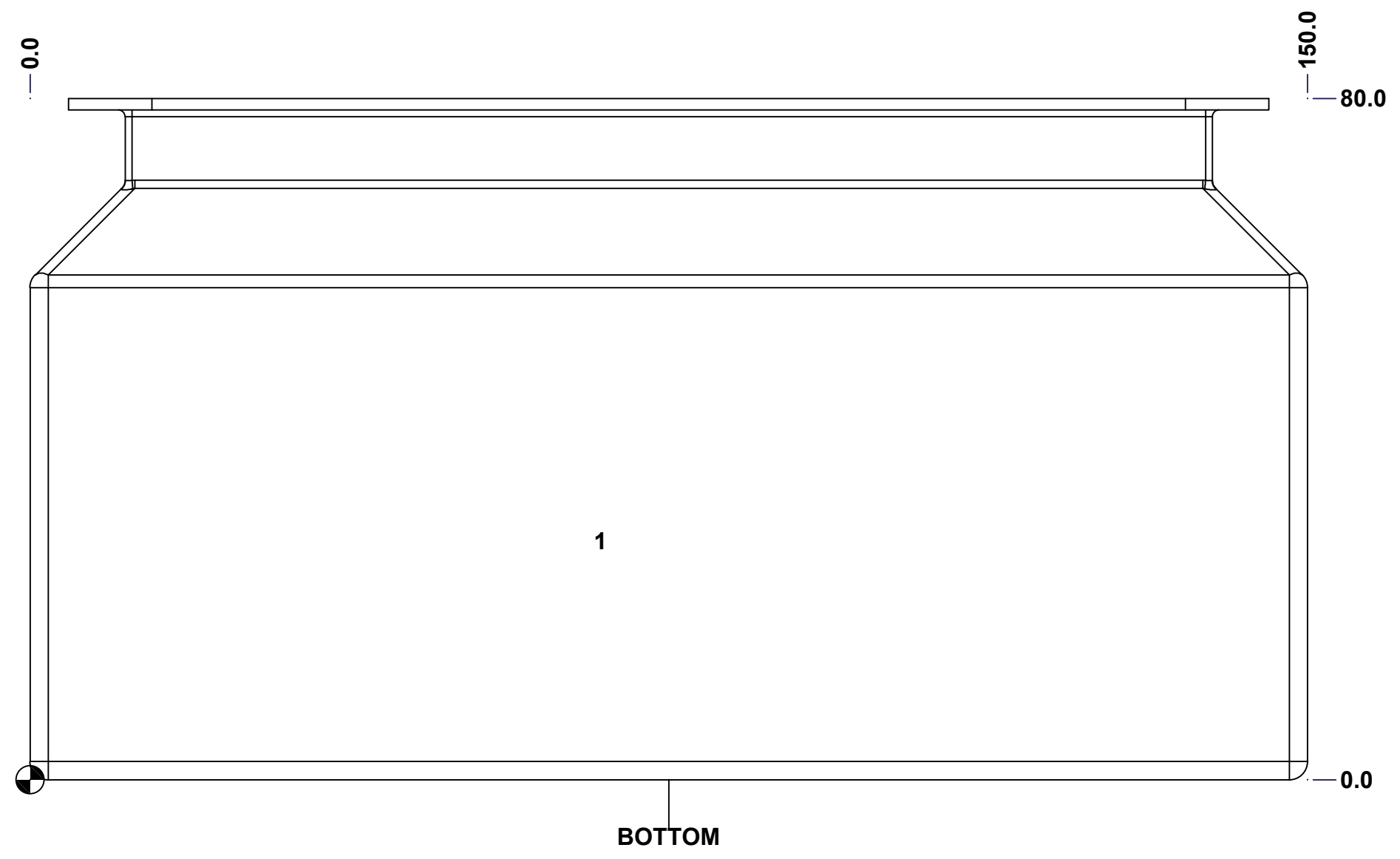
This drawing is confidential and must not be reproduced or used without the consent of EXM

Ce dessin est confidentiel et ne doit pas être reproduit ou utilisé sans le consentement de EXM

STANDARD FEATURES ARE NOT LISTED IN THIS HOLE TABLE

HOLE TABLE - BOTTOM VIEW (CUSTOM FEATURE ONLY)

| CUT-OUT | XDIM | YDIM | DESCRIPTION |
|---------|------|------|-------------|
| 1 | 66.5 | 28.0 | LABEL_EXM |



| | | | |
|--|--|--|-------------------------|
| | Description 6412ESCHTB 150mm x 150mm x 72.1mm Body | | Status (NULL) |
| | Part Number Numéro Pièce 6412ESCHTB151508B | | Rev. 5 0 / 10 |

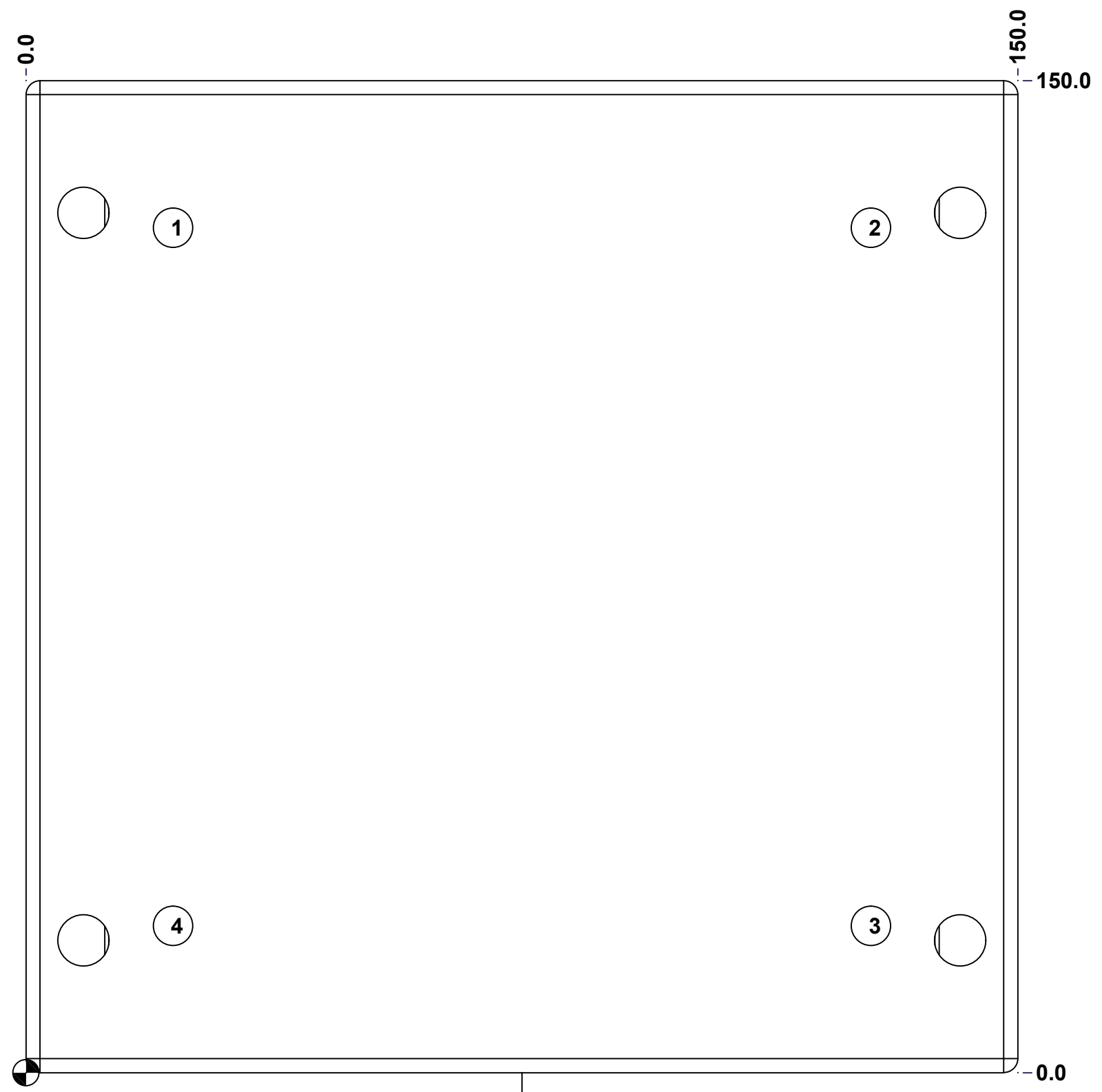
This drawing is confidential and must not be reproduced or used without the consent of EXM

Ce dessin est confidentiel et ne doit pas être reproduit ou utilisé sans le consentement de EXM

STANDARD FEATURES ARE NOT LISTED IN THIS HOLE TABLE

HOLE TABLE - BACK VIEW (CUSTOM FEATURE ONLY)

| CUT-OUT | XDIM | YDIM | DESCRIPTION |
|---------|-------|-------|-------------------------|
| 1 | 22.2 | 127.8 | PEM FH-M6-20ZI (Inside) |
| 2 | 127.8 | 127.8 | PEM FH-M6-20ZI (Inside) |
| 3 | 127.8 | 22.2 | PEM FH-M6-20ZI (Inside) |
| 4 | 22.2 | 22.2 | PEM FH-M6-20ZI (Inside) |



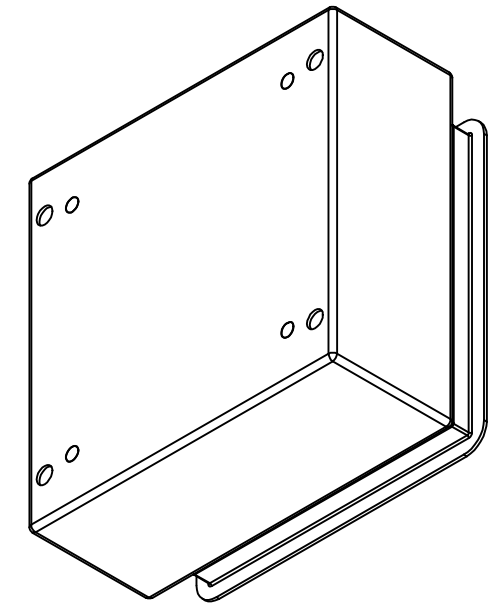
BACK

| | | |
|--|--|--------------------|
| | Description 6412ESCHTB 150mm x 150mm x 72.1mm Body | Status (NULL) |
| | Part Number Numéro Pièce 6412ESCHTB151508B | Rev. 6 0 |

This drawing is confidential and must not be reproduced or used without the consent of EXM


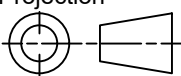
Ce dessin est confidentiel et ne doit pas être reproduit ou utilisé sans le consentement de EXM

| No. | Revisions | Date | By/Par |
|-----|-----------|------|--------|
| | | | |
| | | | |
| | | | |
| | | | |
| | | | |



Isometric View

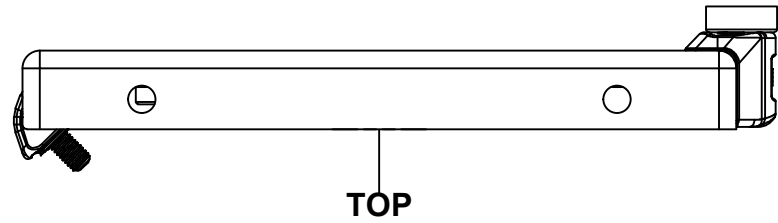


| | | |
|--|---|---|
|  Tél: (450) 979-4373 Fax: (450) 979-4626 www.exmweb.com | | Flatness Aplatissement Max 3.0mm Projection  |
| Customer Client | Date | |
| Drawn By Dessiné Par | BoxCad: BoxCad | Date 08-Jan-25 |
| Material Matière | 16 Ga Cold Rolled A1008 CS Type B (1.4mm) | |
| Color Couleur | Light Grey RAL7035 | Finish Fini Textured |
| Description 6412ESCHTB 150mm x 150mm x 80mm Body | | Detail Rev. |
| Part Number Numéro Pièce | 6412ESCHTB151508B | Rev. 7 0 10 |

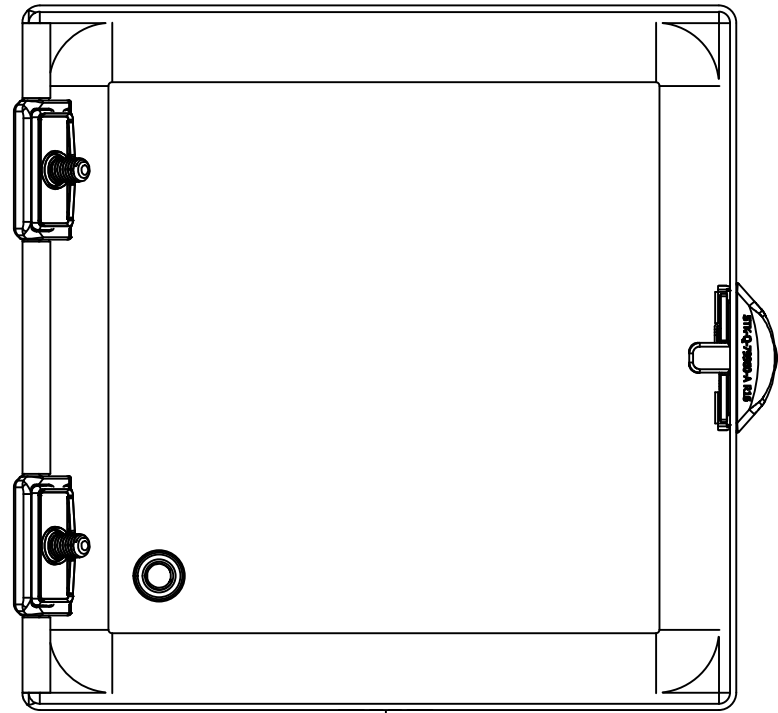
| Qty | Part Number | Rev | Description |
|------------|---------------------|-----|---|
| 4 | STK-PEM-FH-M6-20ZI | 0 | PEM Self-Clinching Stud M6 x 20.0mm |
| 1 | STK-Q-08350 | 5 | Standoff M6 x 10mm |
| 1 | 6412ESCHTB151508B-P | 0 | 6412ESCHTB 150mm x 150mm x 72.1mm Body Part |
| 1 | STK-S-00100 | 0 | 3.5" x 2" Silver Milar Flexcon Sticker |
| 1 | STK-P-03820R | 0 | Powder Paint (Light Grey / Rough Textured) |
| Parts List | | | |

This drawing is confidential and must not be reproduced or used without the consent of EXM

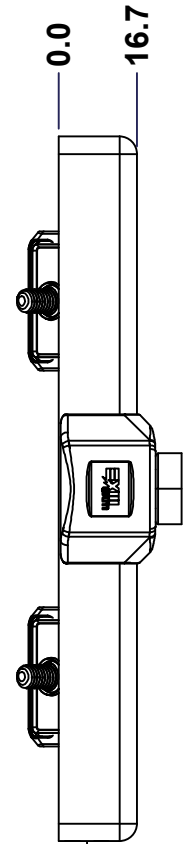
Ce dessin est confidentiel et ne doit pas être reproduit ou utilisé sans le consentement de EXM



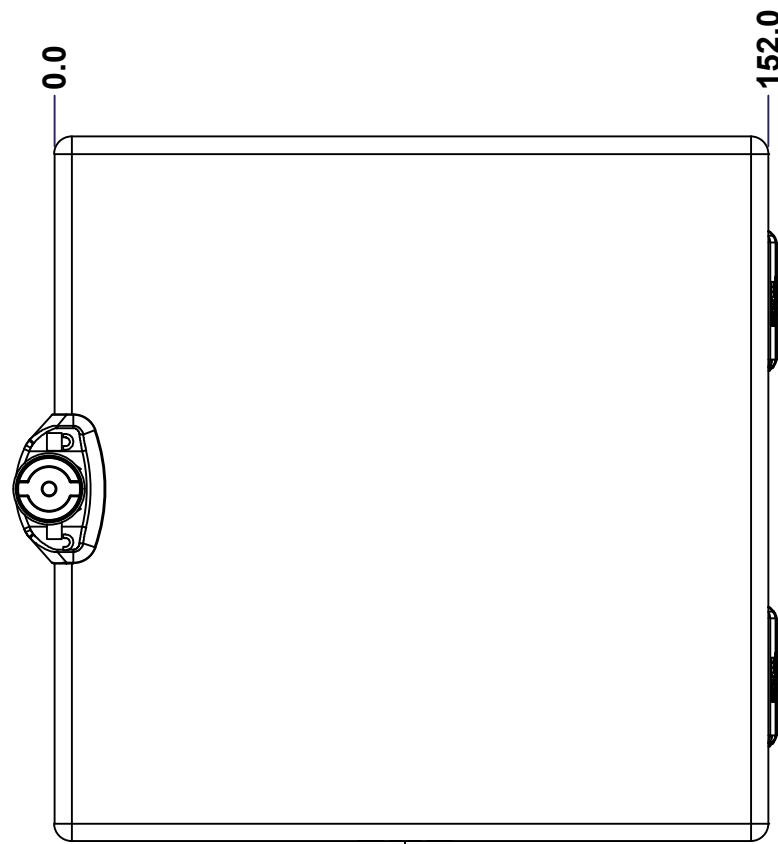
TOP



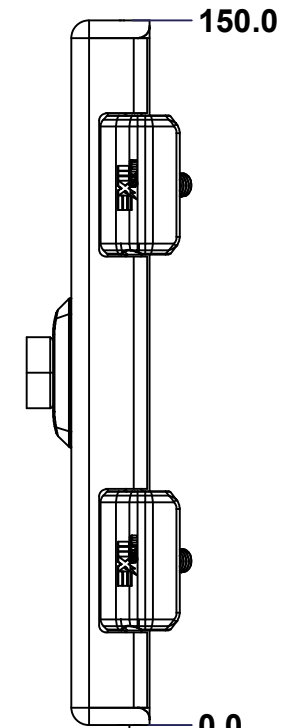
BACK



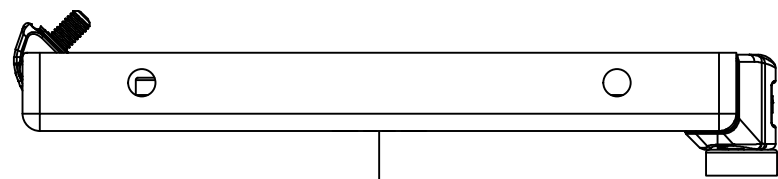
LEFT



FRONT

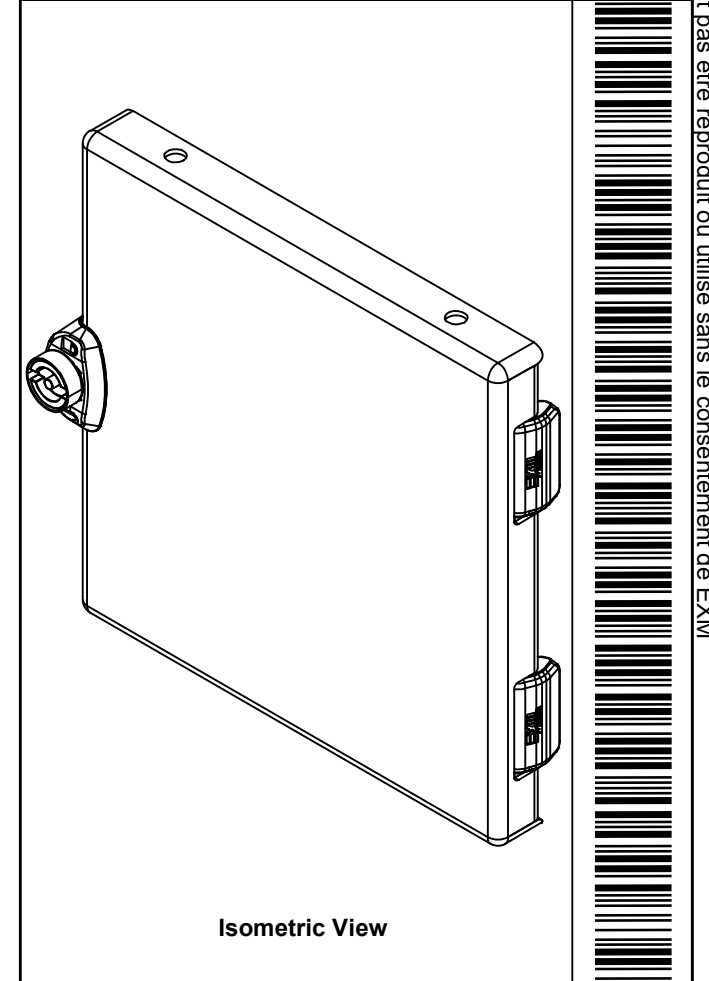


RIGHT



BOTTOM

| No. | Revisions | Date | By/Par |
|-----|-----------|------|--------|
| | | | |
| | | | |
| | | | |
| | | | |



Isometric View

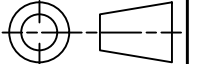


Tél: (450) 979-4373
 Fax: (450) 979-4626
www.exmweb.com

Flatness
Aplatissement

Max 3.0mm

Projection



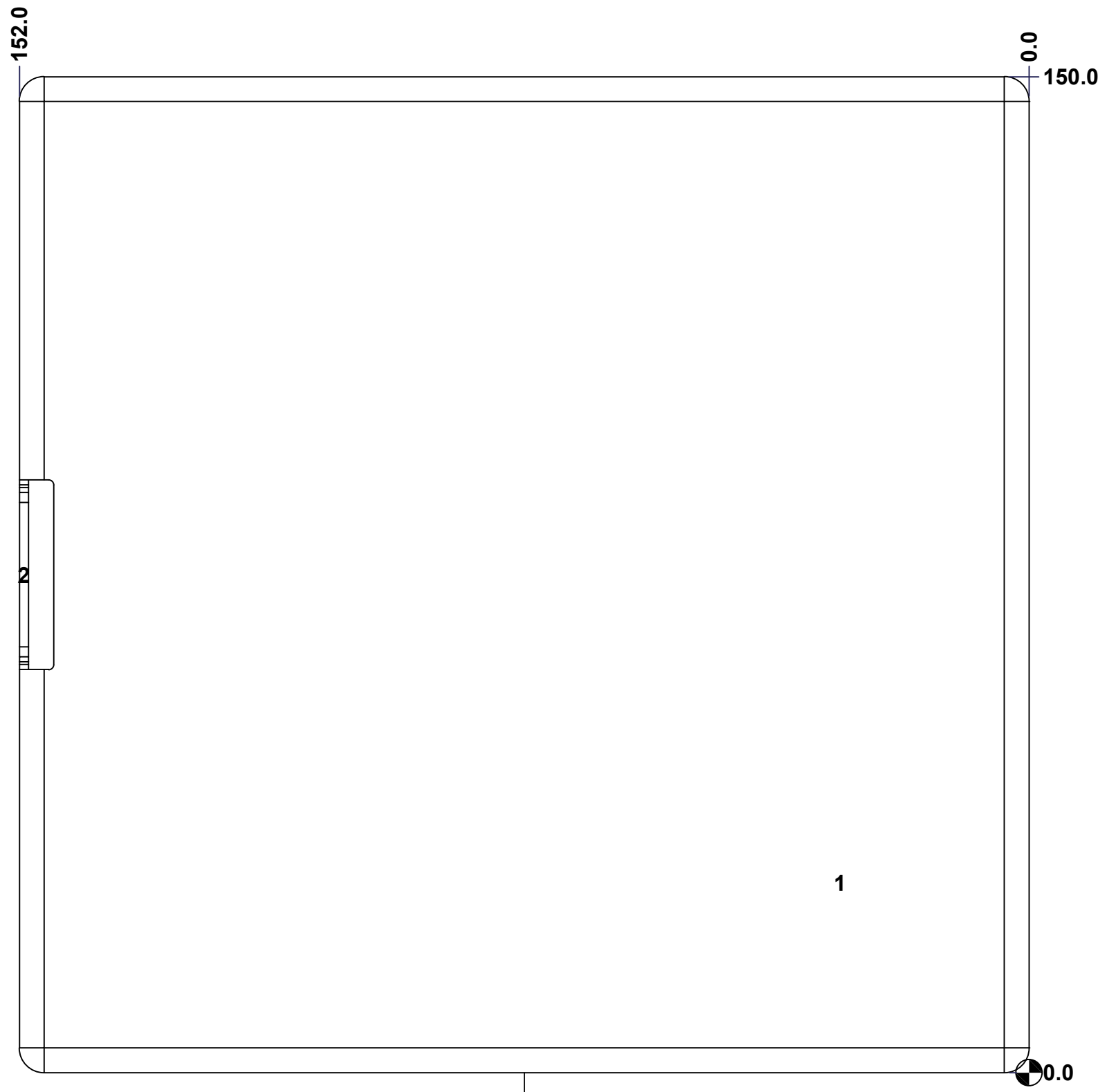
| | |
|---|-------------------------|
| Customer Client | Date |
| Drawn By Dessiné Par BoxCad: BoxCad | Date 08-Jan-25 |
| Material Matière 16 Ga Cold Rolled A1008 CS Type B (1.4mm) | |
| Color Couleur Light Grey RAL7035 | Finish Fini Textured |
| Description 6412ESCHTB 150mm x 150mm Cover | Detail Rev. |
| Part Number Numéro Pièce 6412ESCHTB151508C | Rev. 8 |
| | 0 |
| | 10 |

SEE BILL OF MATERIAL ON LAST PAGE

This drawing is confidential and must not be reproduced or used without the consent of EXM

Ce dessin est confidentiel et ne doit pas être reproduit ou utilisé sans le consentement de EXM

| STANDARD FEATURES ARE NOT LISTED IN THIS HOLE TABLE | | | |
|---|-------|------|-----------------------------|
| HOLE TABLE - FRONT VIEW (CUSTOM FEATURE ONLY) | | | |
| CUT-OUT | XDIM | YDIM | DESCRIPTION |
| 1 | 29.1 | 28.6 | STANDOFF M6 x 10mm (Inside) |
| 2 | 152.0 | 75.0 | LOCK 880 SCQ2-DB @ 180.0° |



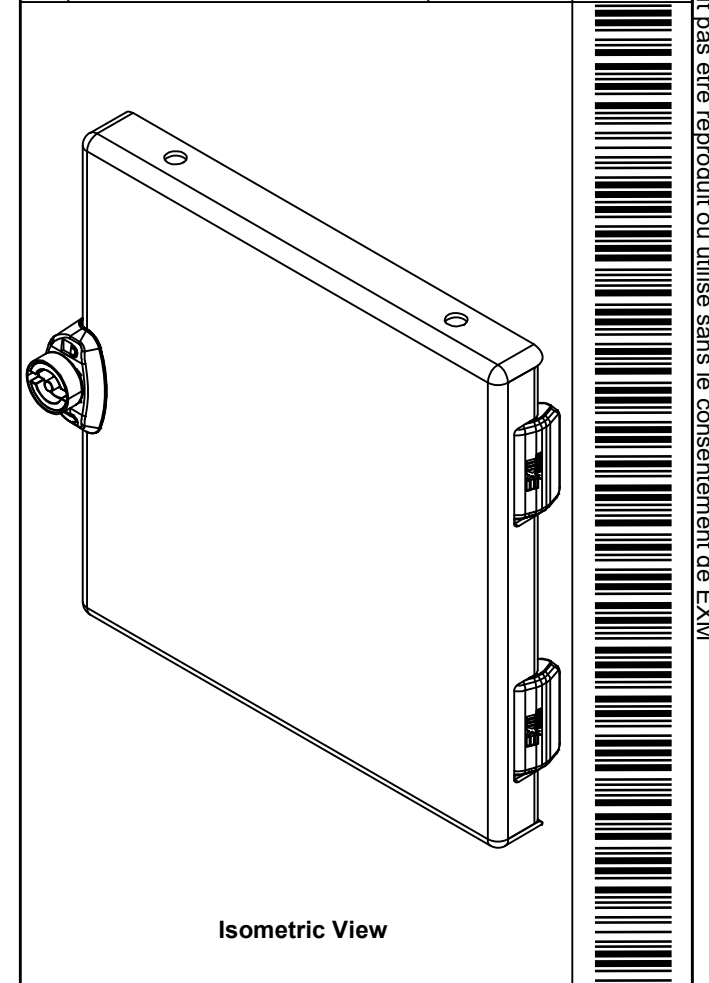
FRONT


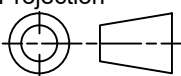
| | | | |
|--|--------------------------------|----------|----|
| | Description | Status | |
| | 6412ESCHTB 150mm x 150mm Cover | (NULL) | |
| | Part Number Numéro Pièce | Rev. | 9 |
| | 6412ESCHTB151508C | 0 | 10 |

This drawing is confidential and must not be reproduced or used without the consent of EXM

Ce dessin est confidentiel et ne doit pas être reproduit ou utilisé sans le consentement de EXM

| No. | Revisions | Date | By/Par |
|-----|-----------|------|--------|
| | | | |
| | | | |
| | | | |
| | | | |
| | | | |



| | | |
|--|---|---|
|  Tél: (450) 979-4373 Fax: (450) 979-4626 www.exmweb.com | | Flatness Aplatissement Max 3.0mm Projection  |
| Customer Client | Date | |
| Drawn By Dessiné Par | BoxCad: BoxCad | Date 08-Jan-25 |
| Material Matière | 16 Ga Cold Rolled A1008 CS Type B (1.4mm) | |
| Color Couleur | Light Grey RAL7035 | Finish Fini Textured |
| Description | | Detail Rev. |
| 6412ESCHTB 150mm x 150mm Cover | | |
| Part Number Numéro Pièce | Rev. | 10 |
| 6412ESCHTB151508C | 0 | 10 |

| Qty | Part Number | Rev | Description |
|------------|---------------------|-----|---|
| 1 | STK-A-79967 | 4 | 5412 ESMCH - External Lock Assy - Double Bit Lock |
| 1 | STK-Q-08350 | 5 | Standoff M6 x 10mm |
| 1 | 6412ESCHTB151508G | 0 | 6412ESCHTB 150mm x 150mm Gasket |
| 1 | STK-P-03820R | 0 | Powder Paint (Light Grey / Rough Textured) |
| 1 | 6412ESCHTB151508C-P | 0 | 6412ESCHTB 150mm x 150mm Cover Part |
| 2 | STK-A-33033 | 4 | 5412 ESMCH Hinge |
| Parts List | | | |