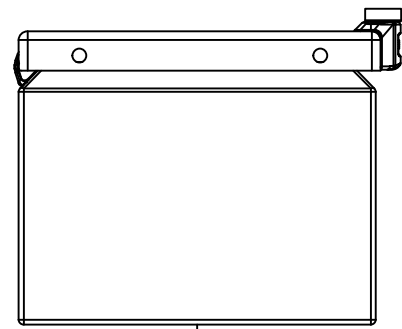
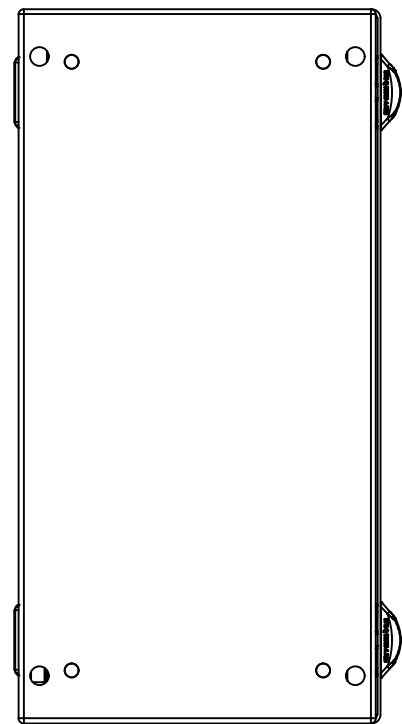


This drawing is confidential and must not be reproduced or used without the consent of EXM

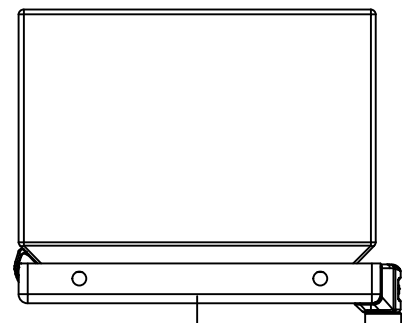
Ce dessin est confidentiel et ne doit pas être reproduit ou utilisé sans le consentement de EXM



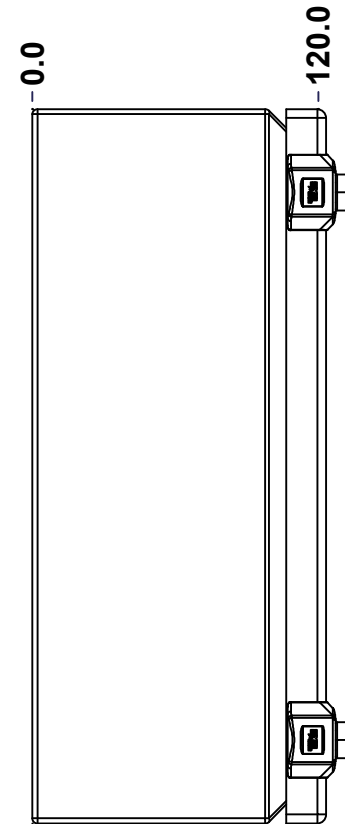
TOP



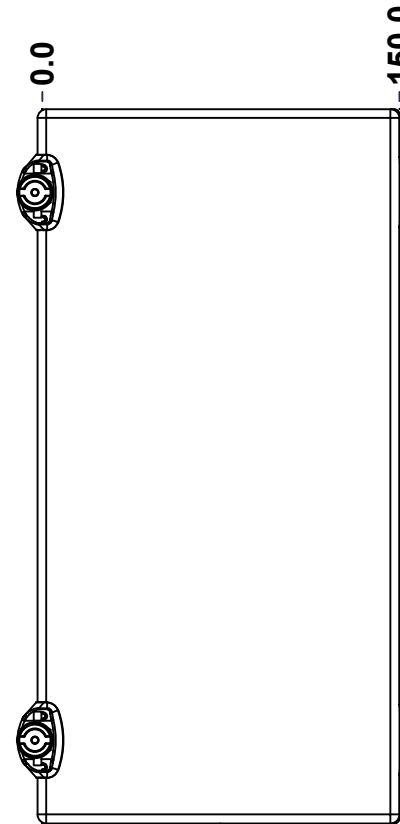
BACK



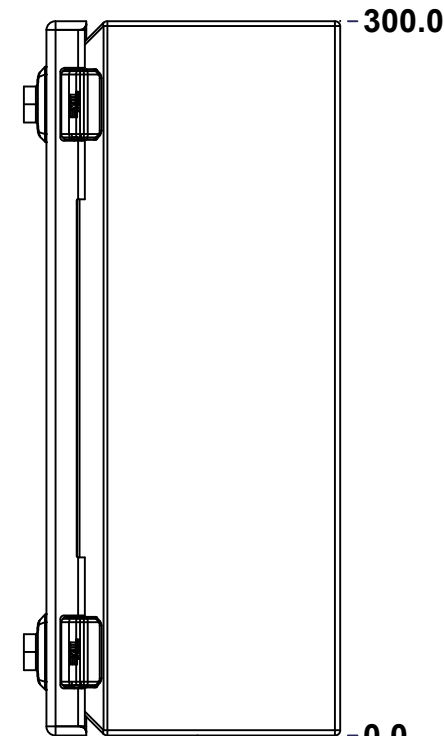
BOTTOM



LEFT

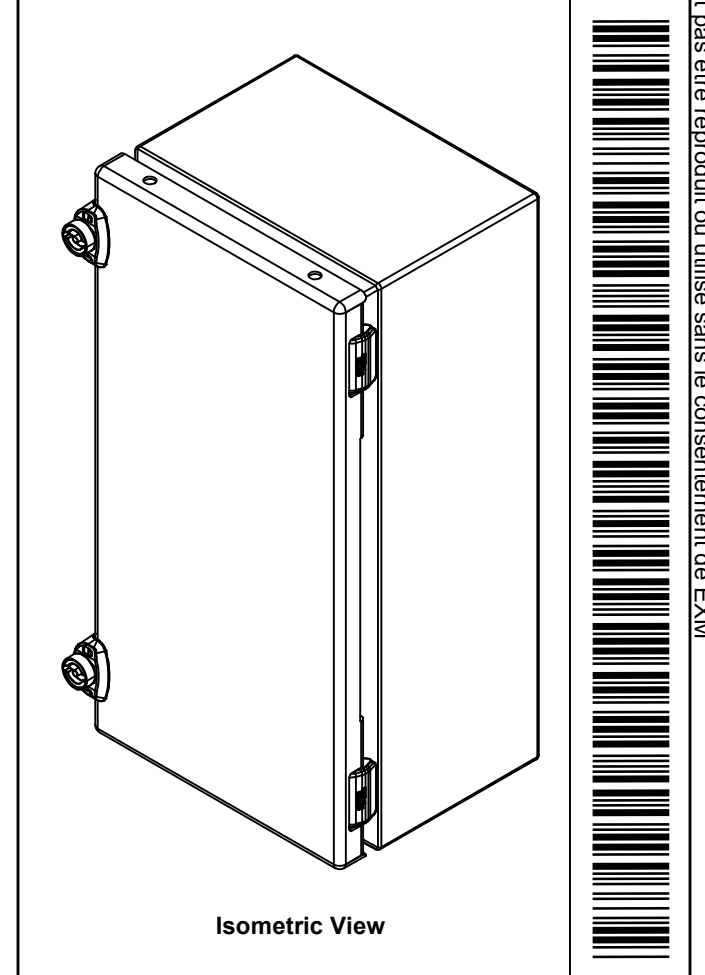


FRONT


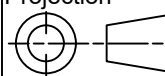


RIGHT

| No. | Revisions | Date | By/Par |
|-----|-----------|------|--------|
| | | | |
| | | | |
| | | | |
| | | | |



Isometric View

| | | |
|--|---|---|
|  Tél: (450) 979-4373 Fax: (450) 979-4626 www.exmweb.com | | Flatness Aplatissement Max 3.0mm Projection  |
| Customer Client | | Date |
| Drawn By Dessiné Par | BoxCad: BoxCad | Date 20-Dec-24 |
| Material Matière | 16 Ga Cold Rolled A1008 CS Type B (1.4mm) | |
| Color Couleur | Light Grey RAL7035 | Finish Fini Textured |
| Description | Detail Rev. | |
| 6412ESCHTB 300mm x 150mm x 120mm Assembly | | |
| Part Number Numéro Pièce | Rev. 1 | 10 |
| 6412ESCHTB153012 | | 0 |

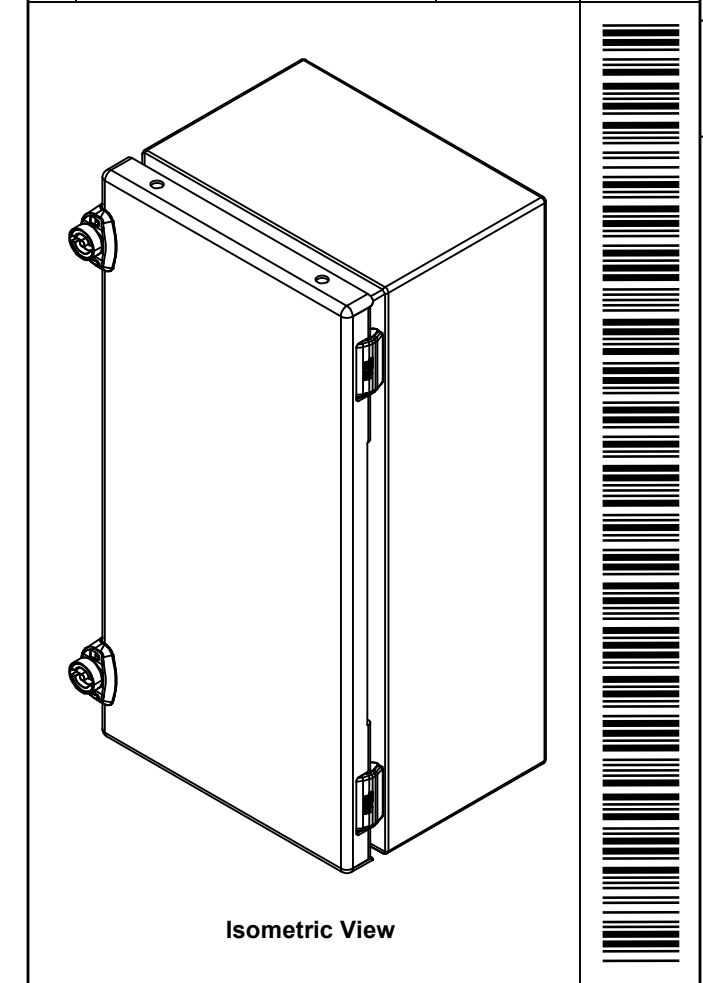
SEE BILL OF MATERIAL ON LAST PAGE


This drawing is confidential and must not be reproduced or used without the consent of EXM

Ce dessin est confidentiel et ne doit pas être reproduit ou utilisé sans le consentement de EXM

| NOTE | |
|------|--|
| ITEM | DESCRIPTION |
| 1 | NEMA 4, 12 Enclosure (IP66) |
| 2 | C/W Standard ground standoffs on box and cover |
| 3 | W/O Standard door stiffener |
| 4 | W/O Inner panel |
| 5 | C/W Standard inner panel mounting standoffs |

| No. | Revisions | Date | By/Par |
|-----|-----------|------|--------|
| | | | |
| | | | |
| | | | |
| | | | |
| | | | |



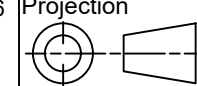


Tél: (450) 979-4373
Fax: (450) 979-4626
www.exmweb.com

Flatness
Aplatissement

Max 3.0mm

Projection



| | |
|---|-----------------|
| Customer Client | Date |
| Drawn By / Dessiné Par: BoxCad: BoxCad | Date: 20-Dec-24 |
| Material / Matière: 16 Ga Cold Rolled A1008 CS Type B (1.4mm) | |

| PACKING | | |
|-----------------------|-----|--|
| ITEM | QTY | DESCRIPTION |
| Cardboard sleeve | 2 | Top and Bottom |
| Cardboard strip | 2 | Between back of enclosure and inner panel |
| Plastic bag | 1 | To protect cover surface and inside gasket |
| Plastic strap - Black | 2 | To Squeeze the 2 cardboard sleeve together |
| Packaging label | 1 | White label with product number |

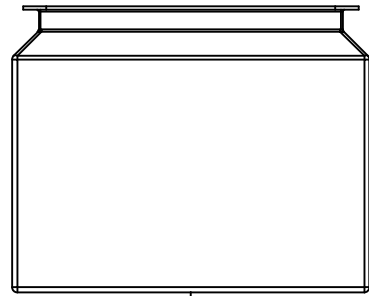
| | | | |
|-----|----------------------|-----|---|
| 1 | 6412ESCHTB153012C | 0 | 6412ESCHTB 300mm x 150mm Cover |
| 1 | STK-K-02910 | 3 | 5412 ESCH Accessory Kit |
| 2 | 6412ESCHTB153012BR-P | 0 | 6412ESCHTB 150mm Bracket Part |
| 8 | STK-Q-07210 | 0 | Flange Lock Nut M6 |
| 1 | 6412ESCHTB153012B | 0 | 6412ESCHTB 300mm x 150mm x 120mm Body |
| 2 | STK-A-08126 | 0 | M5 Stainless Steel 316 Nylon Insert Lock Nut with Incorporated Sealing Washer |
| Qty | Part Number | Rev | Description |

Parts List

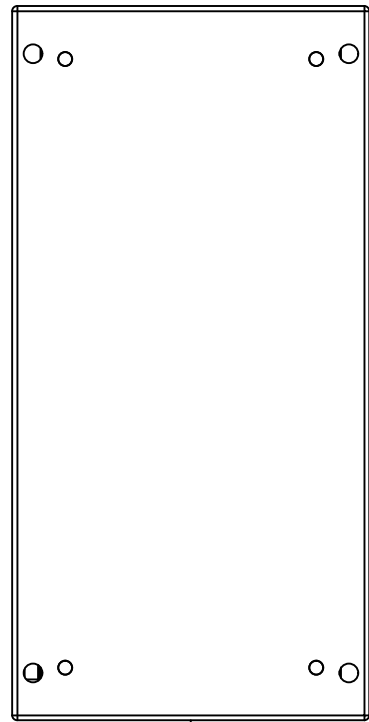
| | |
|--|-------------------------|
| Color / Couleur: Light Grey RAL7035 | Finish / Fini: Textured |
| Description: 6412ESCHTB 300mm x 150mm x 120mm Assembly | |
| Part Number / Numéro Pièce: 6412ESCHTB153012 | Rev. 0 |

This drawing is confidential and must not be reproduced or used without the consent of EXM

Ce dessin est confidentiel et ne doit pas être reproduit ou utilisé sans le consentement de EXM



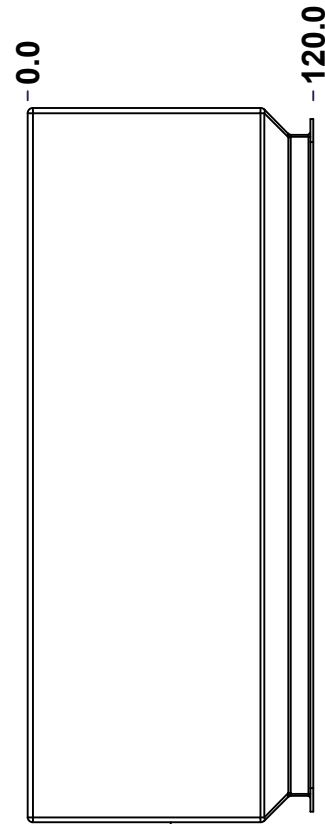
TOP



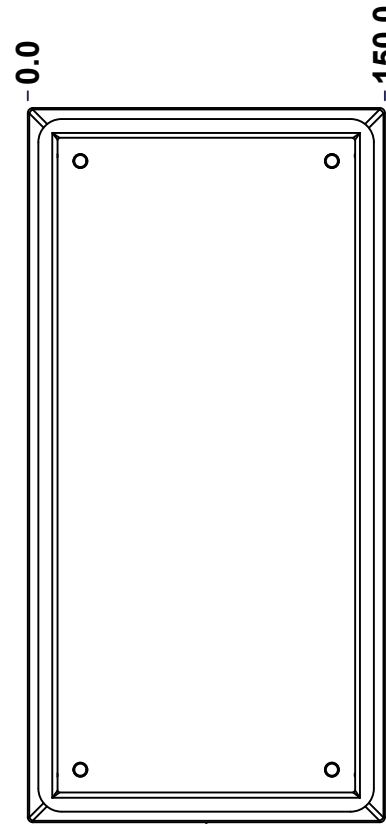
BACK



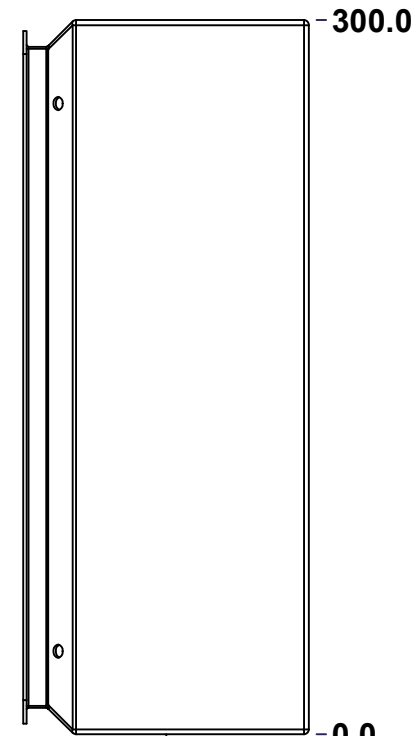
BOTTOM



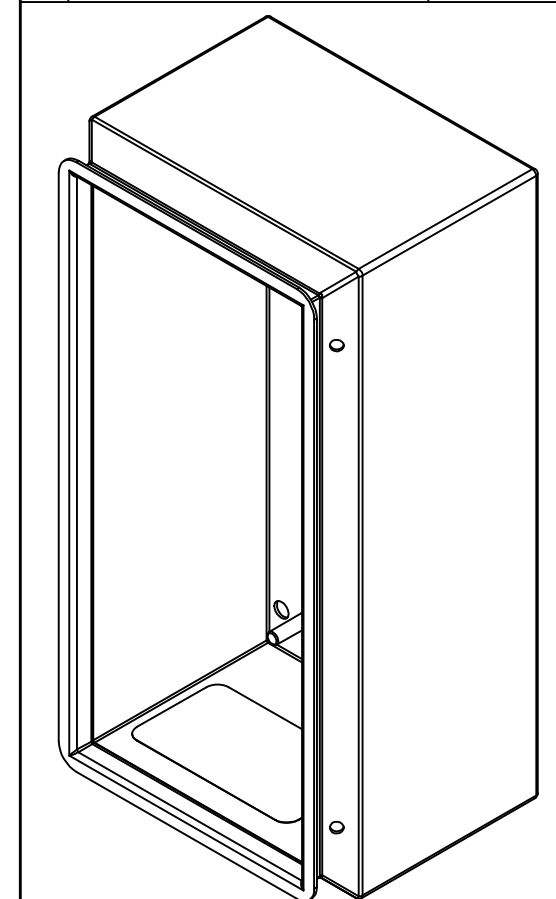
LEFT



FRONT




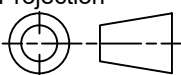
RIGHT



Isometric View



| No. | Revisions | Date | By/Par |
|-----|-----------|------|--------|
| | | | |
| | | | |
| | | | |
| | | | |

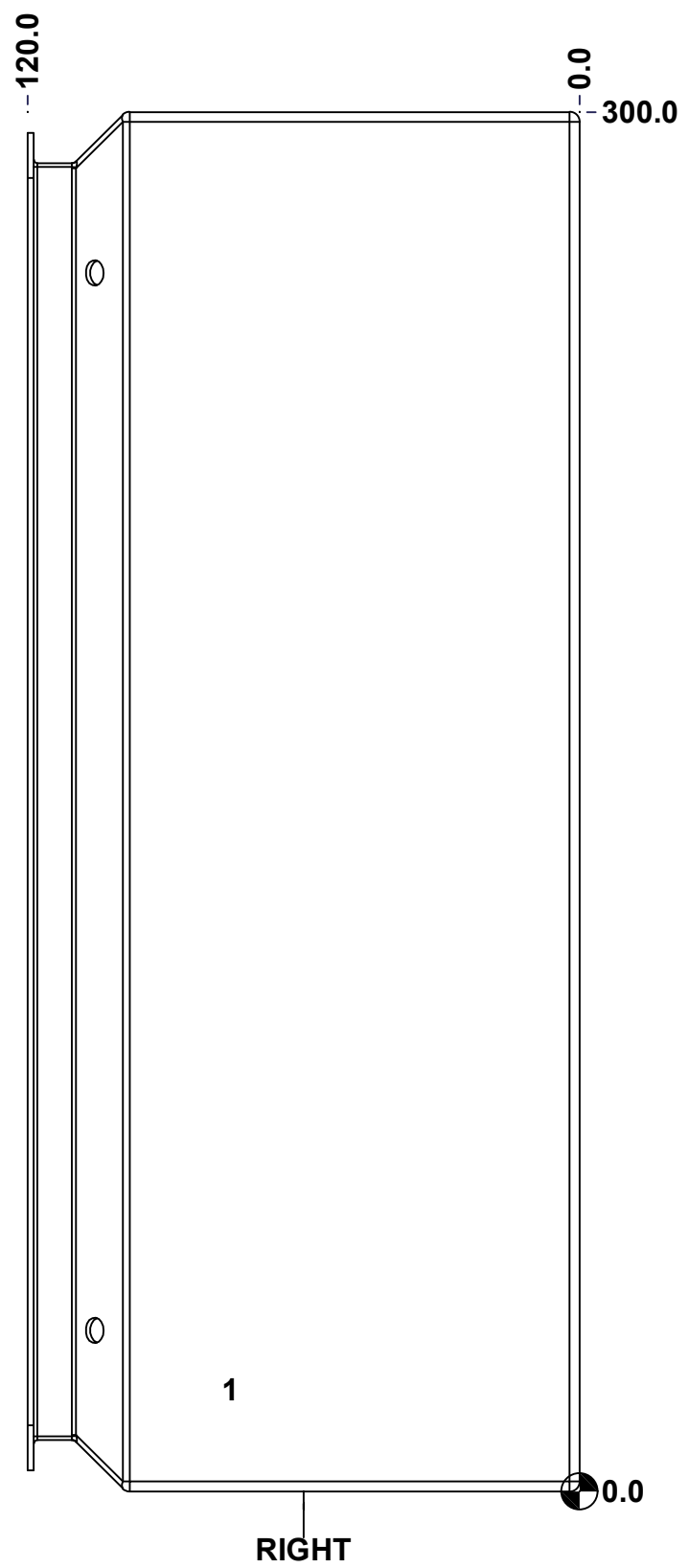
| | | |
|--|---|---|
|  Tél: (450) 979-4373 Fax: (450) 979-4626 www.exmweb.com | | Flatness Aplatissement Max 3.0mm Projection  |
| Customer Client | Date | |
| Drawn By Dessiné Par | BoxCad: BoxCad | Date 20-Dec-24 |
| Material Matière | 16 Ga Cold Rolled A1008 CS Type B (1.4mm) | |
| Color Couleur | Light Grey RAL7035 | Finish Fini Textured |
| Description | Detail Rev. | |
| 6412ESCHTB 300mm x 150mm x 120mm Body | | |
| Part Number Numéro Pièce | Rev. | 3 |
| 6412ESCHTB153012B | 0 | 10 |

SEE BILL OF MATERIAL ON LAST PAGE

This drawing is confidential and must not be reproduced or used without the consent of EXM

Ce dessin est confidentiel et ne doit pas être reproduit ou utilisé sans le consentement de EXM

| STANDARD FEATURES ARE NOT LISTED IN THIS HOLE TABLE | | | |
|--|------|------|-----------------------------|
| HOLE TABLE - RIGHT VIEW (CUSTOM FEATURE ONLY) | | | |
| CUT-OUT | XDIM | YDIM | DESCRIPTION |
| 1 | 77.2 | 22.2 | STANDOFF M6 x 10mm (Inside) |

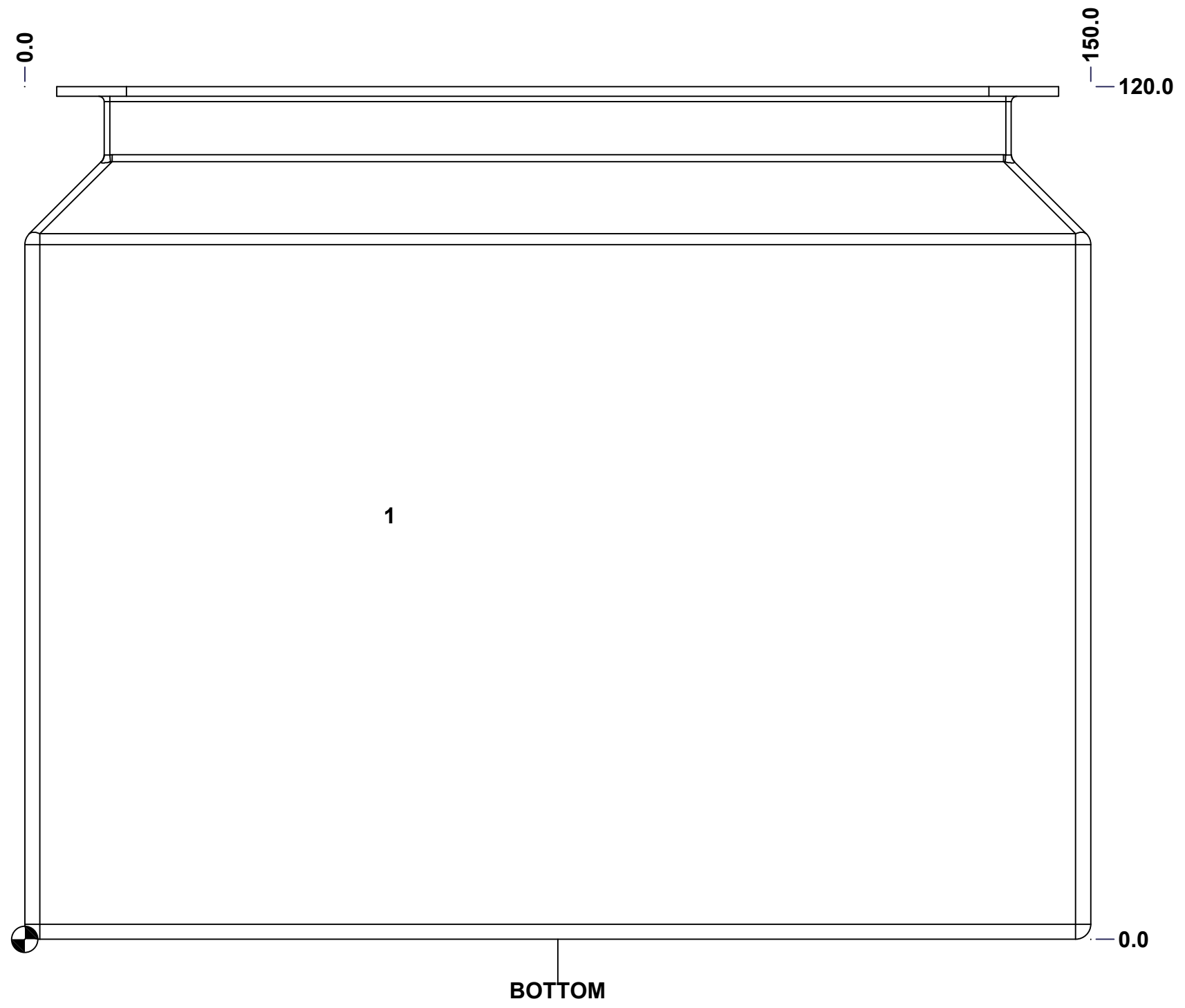


| | | |
|--|---|--------------------|
| | Description 6412ESCHTB 300mm x 150mm x 112.1mm Body | Status (NULL) |
| | Part Number Numéro Pièce 6412ESCHTB153012B | Rev. 4 0 |

This drawing is confidential and must not be reproduced or used without the consent of EXM

Ce dessin est confidentiel et ne doit pas être reproduit ou utilisé sans le consentement de EXM

| STANDARD FEATURES ARE NOT LISTED IN THIS HOLE TABLE | | | |
|--|------|------|-------------|
| HOLE TABLE - BOTTOM VIEW (CUSTOM FEATURE ONLY) | | | |
| CUT-OUT | XDIM | YDIM | DESCRIPTION |
| 1 | 50.8 | 59.7 | LABEL_EXM |



| | | | |
|--|---|--|-------------------------|
| | Description 6412ESCHTB 300mm x 150mm x 112.1mm Body | | Status (NULL) |
| | Part Number Numéro Pièce 6412ESCHTB153012B | | Rev. 5 0 / 10 |

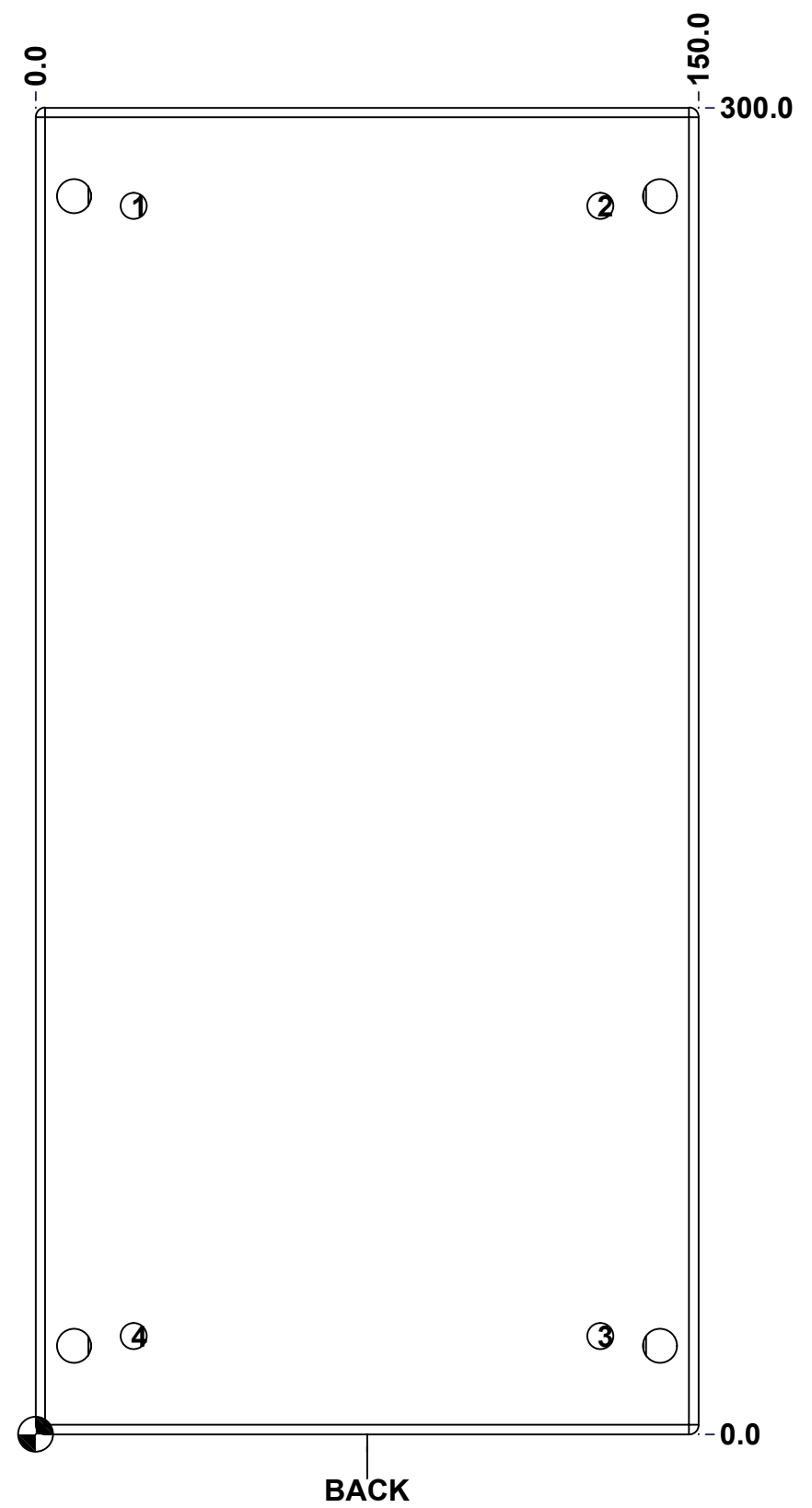
This drawing is confidential and must not be reproduced or used without the consent of EXM

Ce dessin est confidentiel et ne doit pas être reproduit ou utilisé sans le consentement de EXM

STANDARD FEATURES ARE NOT LISTED IN THIS HOLE TABLE

HOLE TABLE - BACK VIEW (CUSTOM FEATURE ONLY)

| CUT-OUT | XDIM | YDIM | DESCRIPTION |
|---------|-------|-------|-------------------------|
| 1 | 22.2 | 277.8 | PEM FH-M6-20ZI (Inside) |
| 2 | 127.8 | 277.8 | PEM FH-M6-20ZI (Inside) |
| 3 | 127.8 | 22.2 | PEM FH-M6-20ZI (Inside) |
| 4 | 22.2 | 22.2 | PEM FH-M6-20ZI (Inside) |

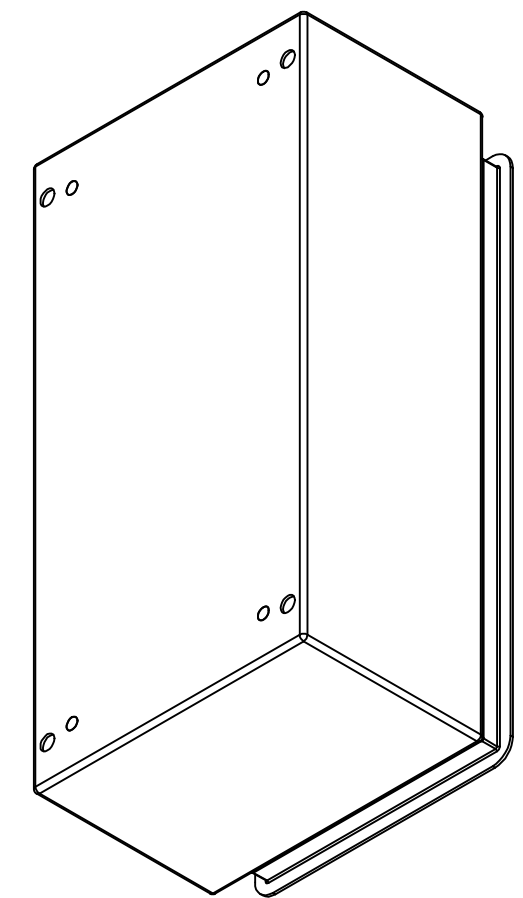


| | | |
|--|---|--------------------|
| | Description 6412ESCHTB 300mm x 150mm x 112.1mm Body | Status (NULL) |
| | Part Number Numéro Pièce 6412ESCHTB153012B | Rev. 6 0 |

This drawing is confidential and must not be reproduced or used without the consent of EXM


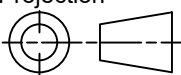
Ce dessin est confidentiel et ne doit pas être reproduit ou utilisé sans le consentement de EXM

| No. | Revisions | Date | By/Par |
|-----|-----------|------|--------|
| | | | |
| | | | |
| | | | |
| | | | |
| | | | |



Isometric View



| | | |
|--|-------------------------------------|---|
|  Tél: (450) 979-4373 Fax: (450) 979-4626 www.exmweb.com | | Flatness Aplatissement Max 3.0mm Projection  |
| Customer Client | Date | |
| Drawn By / Dessiné Par: BoxCad: BoxCad | Date: 20-Dec-24 | |
| Material / Matière: 16 Ga Cold Rolled A1008 CS Type B (1.4mm) | Color / Couleur: Light Grey RAL7035 | |
| Description: 6412ESCHTB 300mm x 150mm x 120mm Body | | Finish / Fini: Textured |
| Part Number / Numéro Pièce: 6412ESCHTB153012B | Rev.: | 7 / 10 |

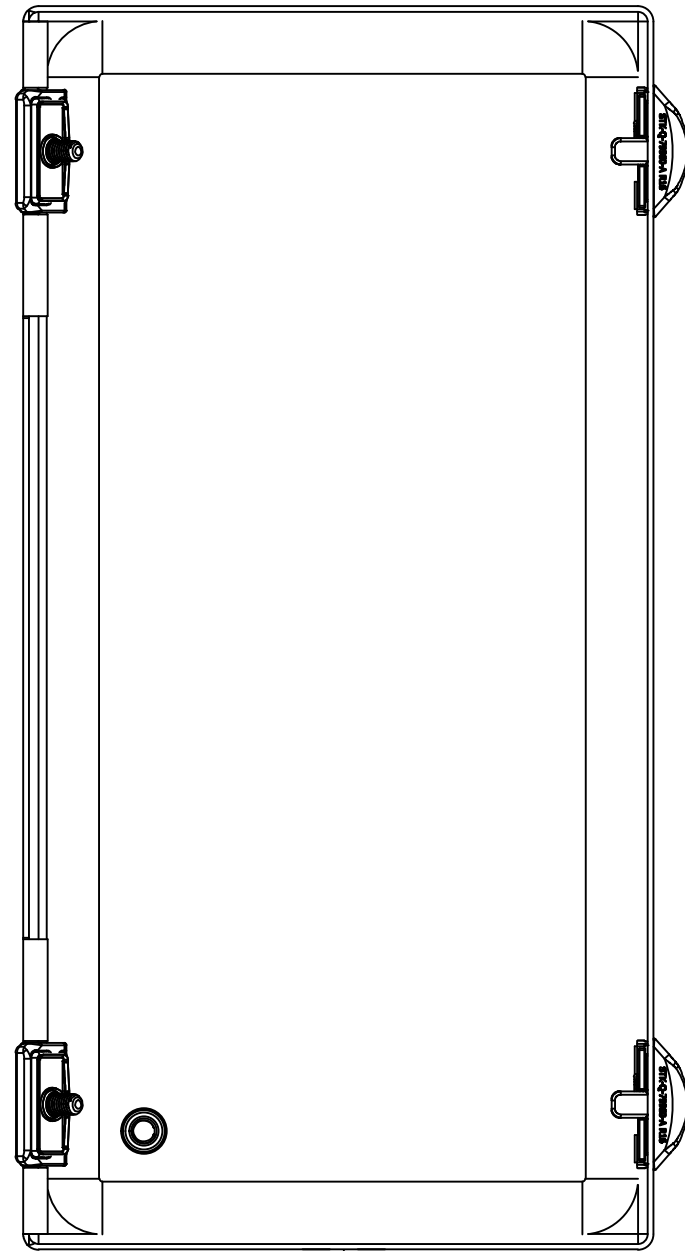
| Qty | Part Number | Rev | Description |
|------------|---------------------|-----|--|
| 4 | STK-PEM-FH-M6-20ZI | 0 | PEM Self-Clinching Stud M6 x 20.0mm |
| 1 | STK-S-00100 | 0 | 3.5" x 2" Silver Milar Flexcon Sticker |
| 1 | 6412ESCHTB153012B-P | 0 | 6412ESCHTB 300mm x 150mm x 112.1mm Body Part |
| 1 | STK-Q-08350 | 5 | Standoff M6 x 10mm |
| 1 | STK-P-03820R | 0 | Powder Paint (Light Grey / Rough Textured) |
| Parts List | | | |

This drawing is confidential and must not be reproduced or used without the consent of EXM

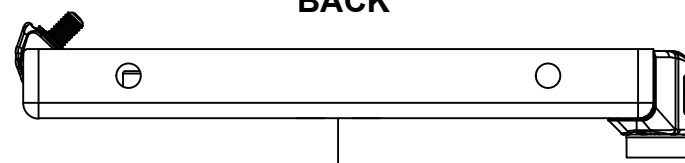
Ce dessin est confidentiel et ne doit pas être reproduit ou utilisé sans le consentement de EXM



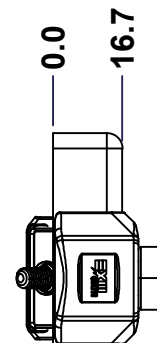
TOP



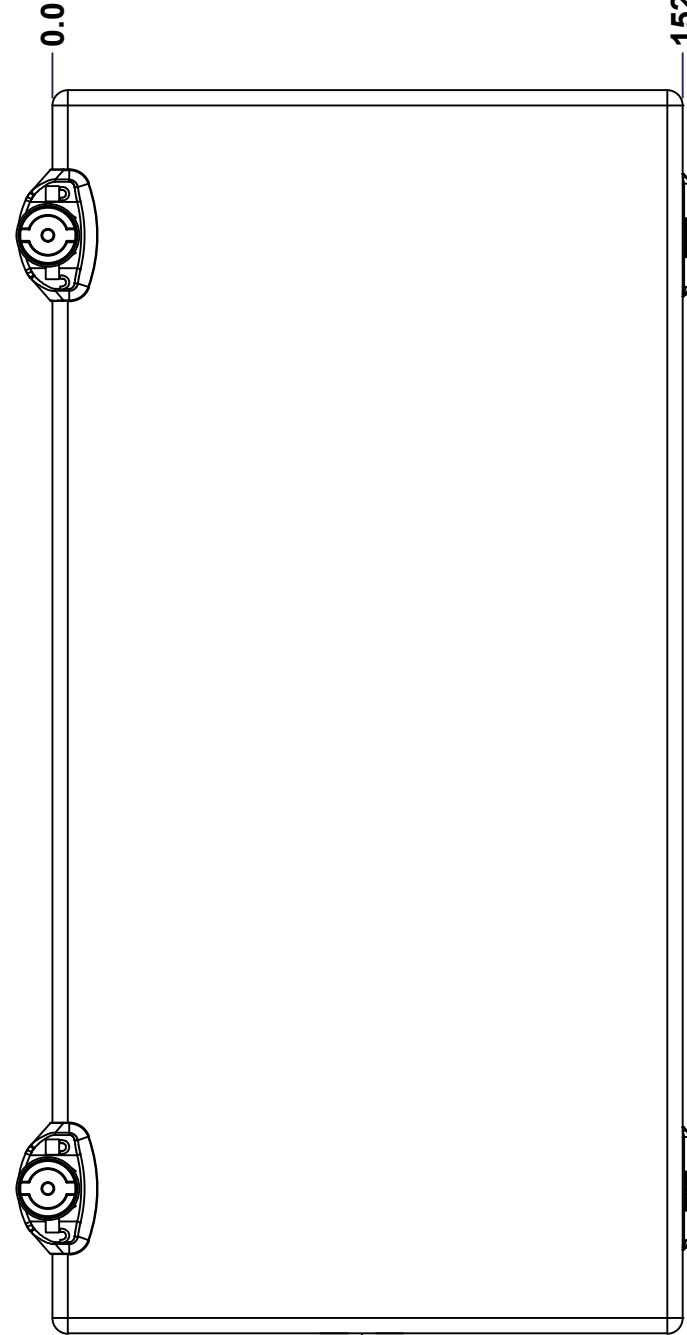
BACK



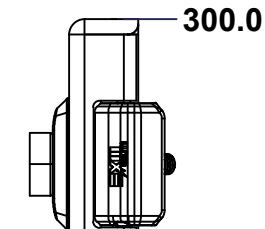
BOTTOM



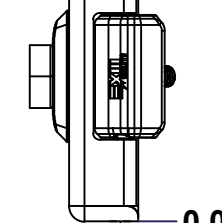
LEFT



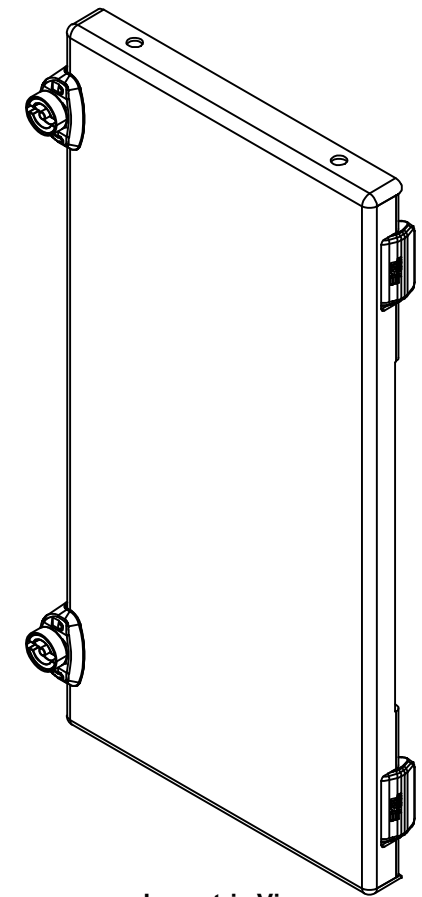
FRONT



RIGHT




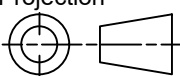
0.0



Isometric View



| No. | Revisions | Date | By/Par |
|-----|-----------|------|--------|
| | | | |
| | | | |
| | | | |
| | | | |

| | | |
|--|---|---|
|  Tél: (450) 979-4373 Fax: (450) 979-4626 www.exmweb.com | | Flatness Aplatissement Max 3.0mm Projection  |
| Customer Client | Date | |
| Drawn By Dessiné Par | BoxCad: BoxCad | Date 20-Dec-24 |
| Material Matière | 16 Ga Cold Rolled A1008 CS Type B (1.4mm) | |
| Color Couleur | Light Grey RAL7035 | Finish Fini Textured |
| Description | 6412ESCHTB 300mm x 150mm Cover | |
| Part Number Numéro Pièce | Rev. 0 | 8 / 10 |

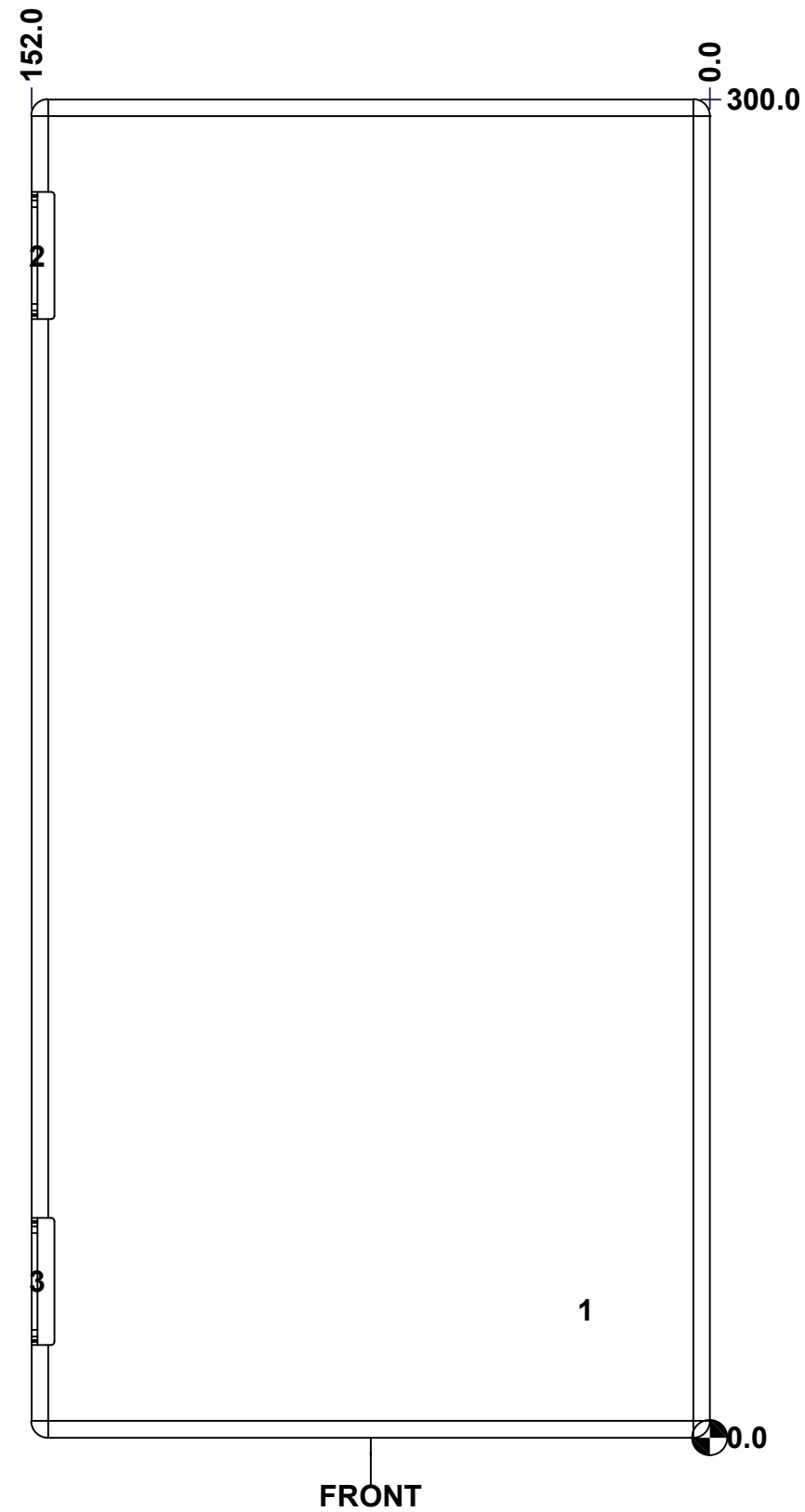
SEE BILL OF MATERIAL ON LAST PAGE

6412ESCHTB153012C

This drawing is confidential and must not be reproduced or used without the consent of EXM

Ce dessin est confidentiel et ne doit pas être reproduit ou utilisé sans le consentement de EXM

| STANDARD FEATURES ARE NOT LISTED IN THIS HOLE TABLE | | | |
|---|-------|-------|-----------------------------|
| HOLE TABLE - FRONT VIEW (CUSTOM FEATURE ONLY) | | | |
| CUT-OUT | XDIM | YDIM | DESCRIPTION |
| 1 | 29.1 | 28.6 | STANDOFF M6 x 10mm (Inside) |
| 2 | 152.0 | 265.0 | LOCK 880 SCQ2-DB @ 180.0° |
| 3 | 152.0 | 35.0 | LOCK 880 SCQ2-DB @ 180.0° |

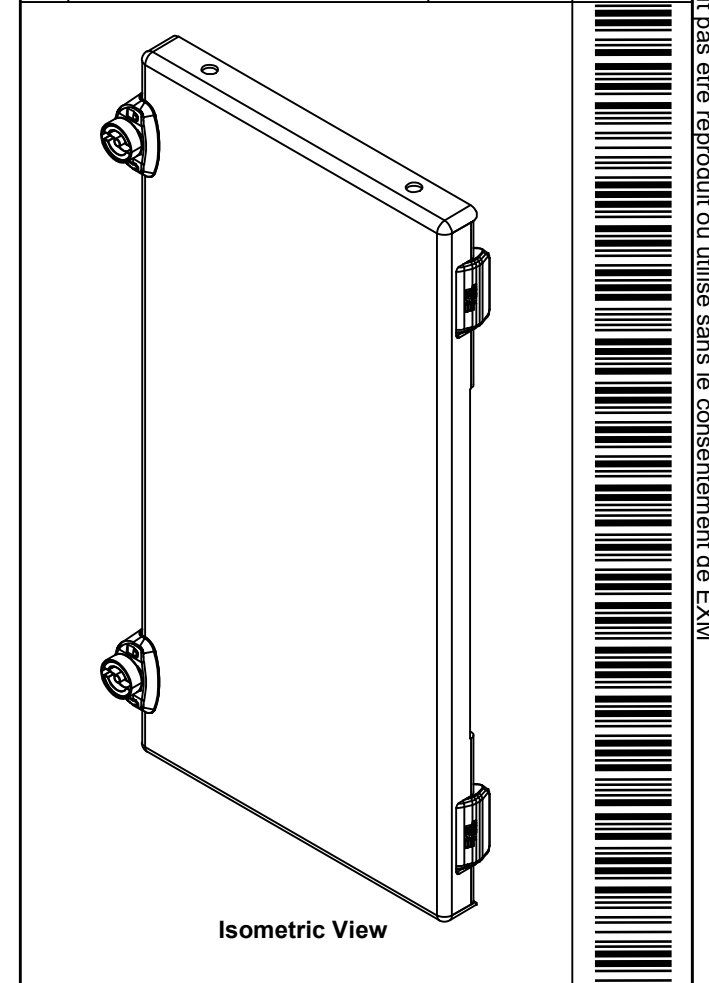



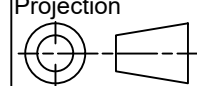
| | | |
|--|---|--------------------|
| | Description 6412ESCHTB 300mm x 150mm Cover | Status (NULL) |
| | Part Number Numéro Pièce 6412ESCHTB153012C | Rev. 9 0 |

This drawing is confidential and must not be reproduced or used without the consent of EXM

Ce dessin est confidentiel et ne doit pas être reproduit ou utilisé sans le consentement de EXM

| No. | Revisions | Date | By/Par |
|-----|-----------|------|--------|
| | | | |
| | | | |
| | | | |
| | | | |
| | | | |



| | | |
|--|---|---|
|  Tél: (450) 979-4373 Fax: (450) 979-4626 www.exmweb.com | | Flatness Aplatissement Max 3.0mm Projection  |
| Customer Client | Date | |
| Drawn By Dessiné Par | BoxCad: BoxCad | Date 20-Dec-24 |
| Material Matière | 16 Ga Cold Rolled A1008 CS Type B (1.4mm) | |
| Color Couleur | Light Grey RAL7035 | Finish Fini Textured |
| Description | | Detail Rev. |
| 6412ESCHTB 300mm x 150mm Cover | | |
| Part Number Numéro Pièce | Rev. | 10 |
| 6412ESCHTB153012C | 0 | 10 |

| Qty | Part Number | Rev | Description |
|------------|---------------------|-----|---|
| 1 | STK-Q-08350 | 5 | Standoff M6 x 10mm |
| 1 | 6412ESCHTB153012G | 0 | 6412ESCHTB 300mm x 150mm Gasket |
| 1 | STK-P-03820R | 0 | Powder Paint (Light Grey / Rough Textured) |
| 1 | 6412ESCHTB153012C-P | 0 | 6412ESCHTB 300mm x 150mm Cover Part |
| 2 | STK-A-33033 | 4 | 5412 ESMCH Hinge |
| 2 | STK-A-79967 | 4 | 5412 ESMCH - External Lock Assy - Double Bit Lock |
| Parts List | | | |