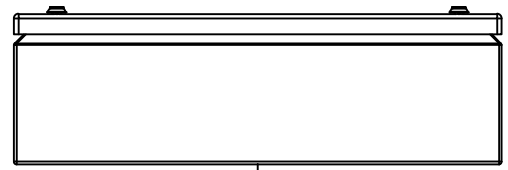
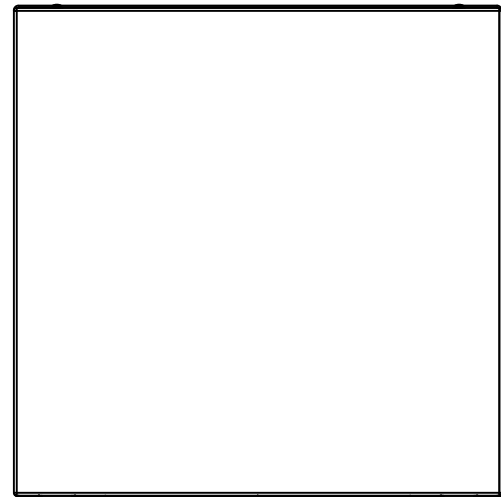


This drawing is confidential and must not be reproduced or used without the consent of EXM

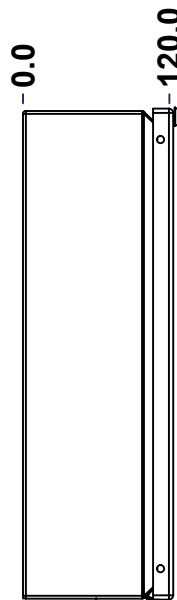
Ce dessin est confidentiel et ne doit pas être reproduit ou utilisé sans le consentement de EXM



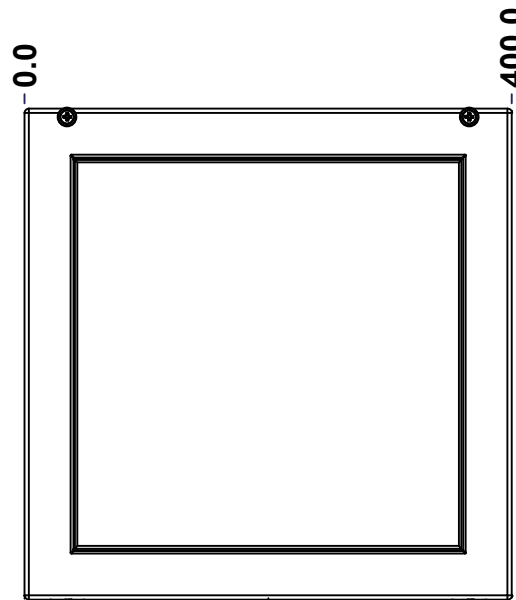
TOP



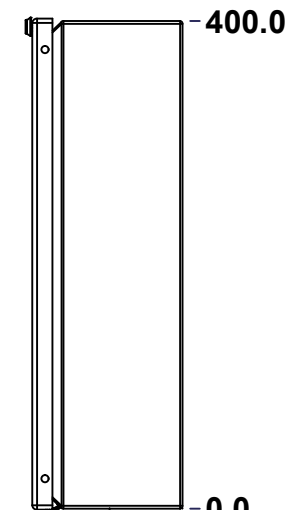
BACK



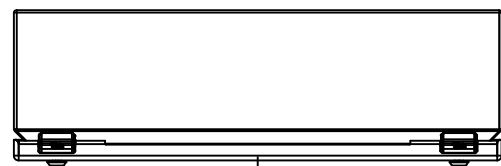
LEFT



FRONT

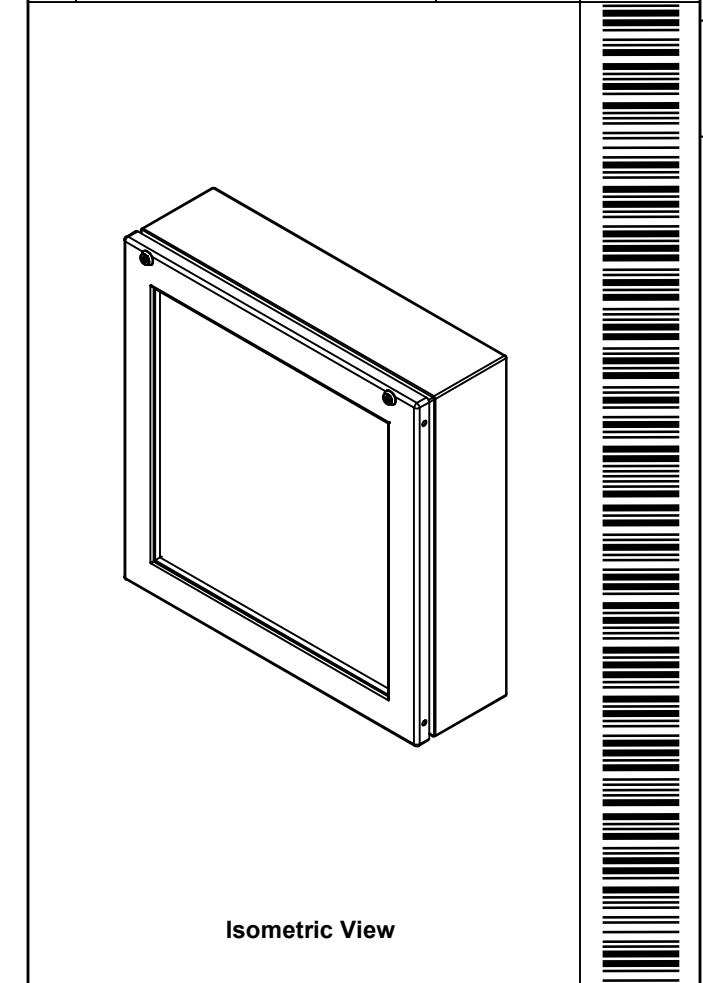


RIGHT



BOTTOM

| No. | Revisions | Date | By/Par |
|-----|-----------|------|--------|
|     |           |      |        |
|     |           |      |        |
|     |           |      |        |
|     |           |      |        |



Isometric View



Tél: (450) 979-4373  
 Fax: (450) 979-4626  
[www.exmweb.com](http://www.exmweb.com)

Flatness  
Aplatissement  
Max 3.0mm  
Projection

Customer Client  
 Drawn By / Dessiné Par: BoxCad: BoxCad  
 Date: 09-Jan-25

Material / Matière: 16 Ga Cold Rolled A1008 CS Type B (1.4mm)

Color / Couleur: Light Grey RAL7035  
 Finish / Fini: Textured

Description: 6412ESCHWTB 400mm x 400mm x 120mm Assembly  
 Detail Rev.

Part Number / Numéro Pièce: **6412ESCHWTB404012**  
 Rev. 0

SEE BILL OF MATERIAL ON LAST PAGE

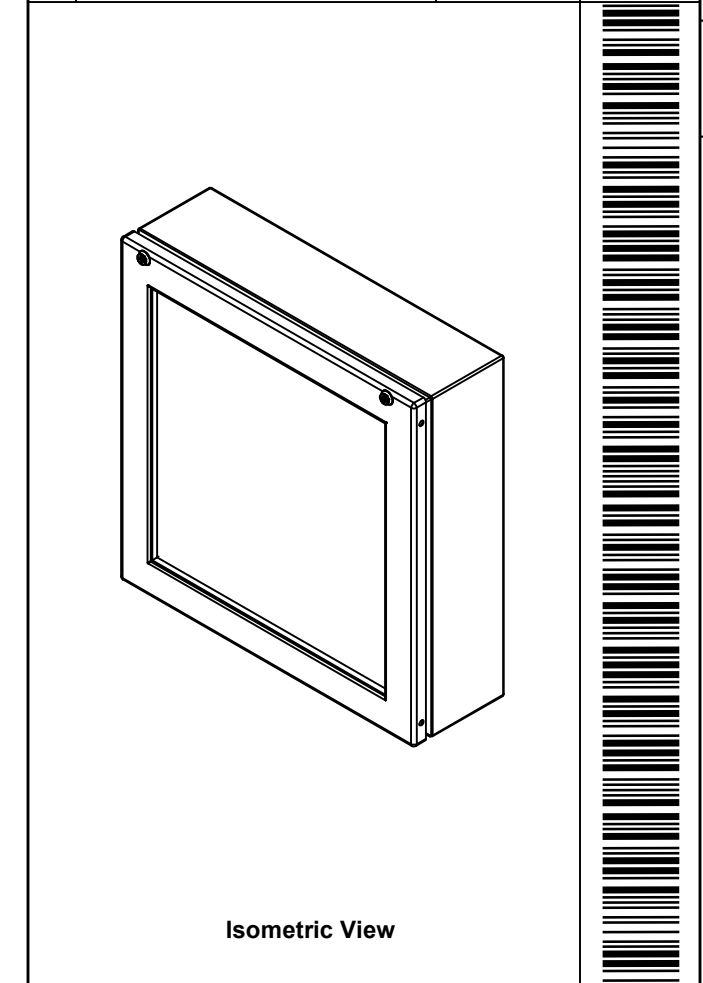
1  
9

This drawing is confidential and must not be reproduced or used without the consent of EXM


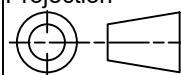
Ce dessin est confidentiel et ne doit pas être reproduit ou utilisé sans le consentement de EXM

| NOTE |  |
|------|--|
| ITEM | DESCRIPTION                                    |
| 1    | NEMA 4, 12 Enclosure (IP66)                    |
| 2    | C/W Standard ground standoffs on box and cover |
| 3    | W/O Standard door stiffener                    |
| 4    | W/O Inner panel                                |
| 5    | C/W Standard inner panel mounting standoffs    |

| No. | Revisions | Date | By/Par |
|-----|-----------|------|--------|
|     |           |      |        |
|     |           |      |        |
|     |           |      |        |
|     |           |      |        |
|     |           |      |        |
|     |           |      |        |



Isometric View

|  |   |
|--|---|
|  Tél: (450) 979-4373<br>Fax: (450) 979-4626<br><a href="http://www.exmweb.com">www.exmweb.com</a> | Flatness<br>Aplatissement<br>Max 3.0mm  |
|  | Projection<br> |
| Customer Client  | Date  |
| Drawn By<br>Dessiné Par BoxCad: BoxCad   | Date 09-Jan-25  |
| Material<br>Matière 16 Ga Cold Rolled A1008 CS Type B (1.4mm)  |   |

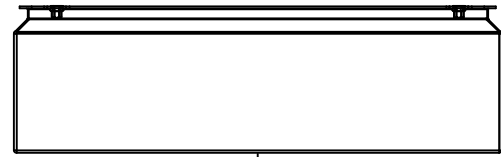
| PACKING          |     |  |
|------------------|-----|--|
| ITEM             | QTY | DESCRIPTION                                |
| Cardboard sleeve | 2   | Top and Bottom                             |
| Cardboard strip  | 2   | Between back of enclosure and inner panel  |
| Plastic bag      | 1   | To protect cover surface and inside gasket |
| Packaging label  | 1   | White label with product number            |

|            |                       |     |   |
|------------|-----------------------|-----|---|
| 1          | 6412ESCHWTB404012C    | 0   | 6412ESCHWTB 400mm x 400mm Cover   |
| 2          | 6412ESCHWTB404012BR-P | 0   | 6412ESCHWTB 400mm Bracket Part  |
| 1          | STK-K-02920           | 3   | 5412 ESSC Accessory Kit   |
| 1          | 6412ESCHWTB404012B    | 0   | 6412ESCHWTB 400mm x 400mm x 120mm Body  |
| 2          | STK-A-08126           | 0   | M5 Stainless Steel 316 Nylon Insert Lock Nut with Incorporated Sealing Washer |
| Qty        | Part Number           | Rev | Description   |
| Parts List |                       |     |   |

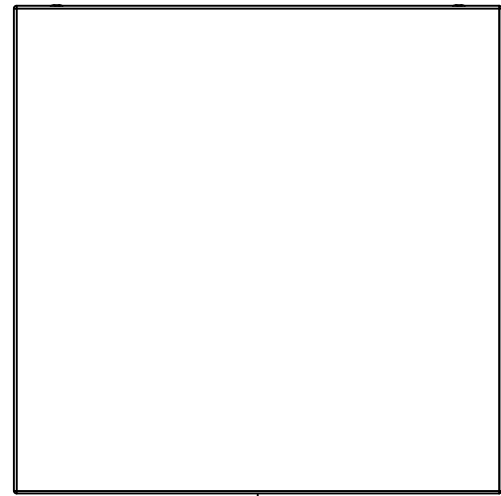
|   |                         |
|---|-------------------------|
| Color<br>Couleur Light Grey RAL7035                       | Finish<br>Fini Textured |
| Description<br>6412ESCHWTB 400mm x 400mm x 120mm Assembly |                         |
| Part Number<br>Numéro Pièce                               | Rev. 2                  |
| <b>6412ESCHWTB404012</b>                                  | <b>0</b>                |
| 9   |                         |

This drawing is confidential and must not be reproduced or used without the consent of EXM

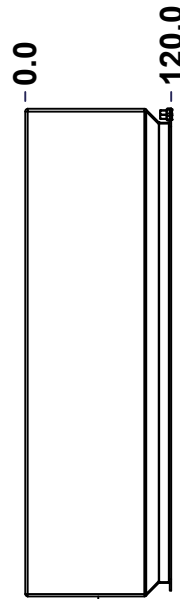
Ce dessin est confidentiel et ne doit pas être reproduit ou utilisé sans le consentement de EXM



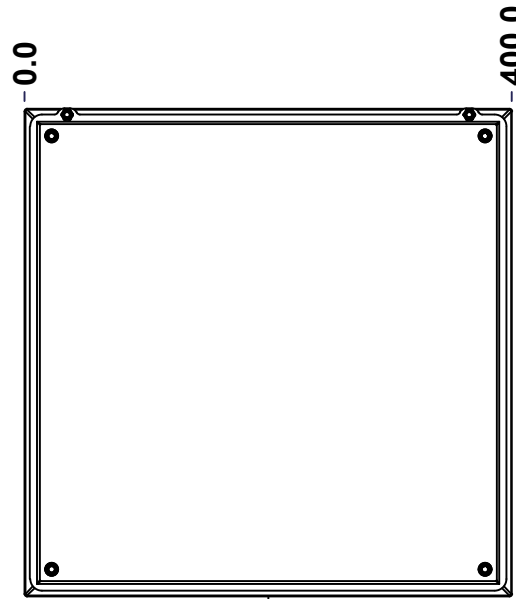
TOP



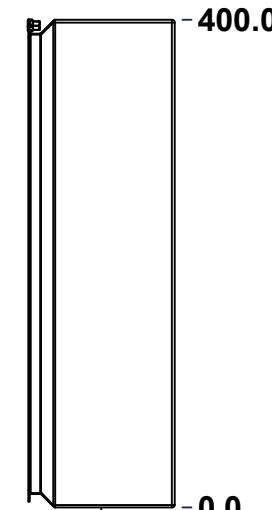
BACK



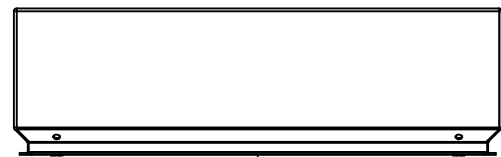
LEFT



FRONT

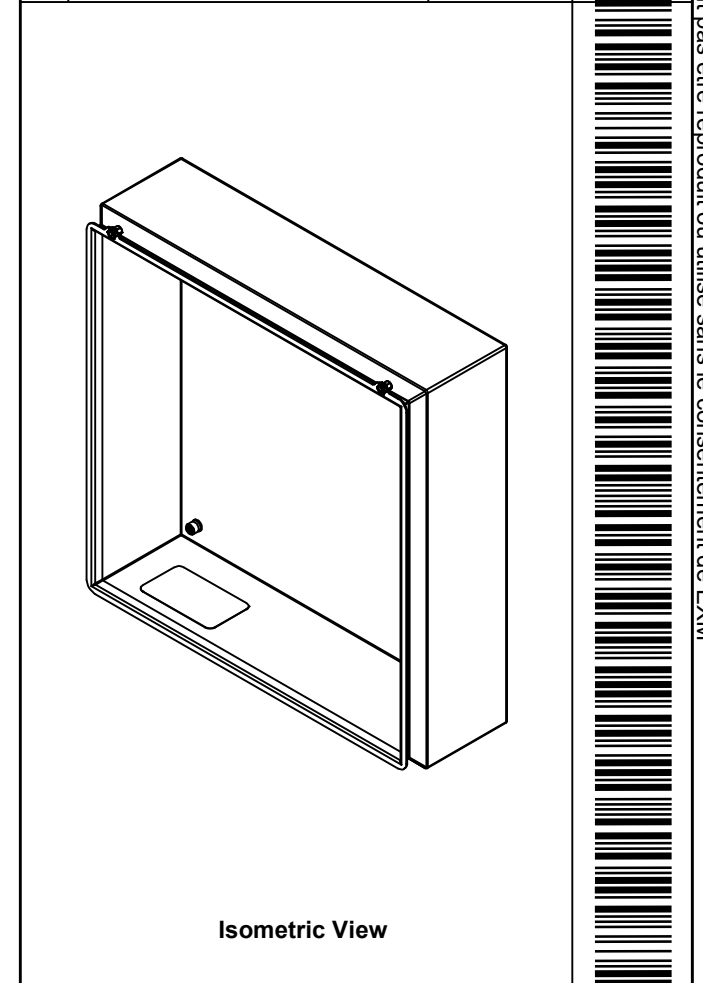


RIGHT




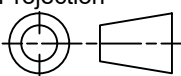
BOTTOM

| No. | Revisions | Date | By/Par |
|-----|-----------|------|--------|
|     |           |      |        |
|     |           |      |        |
|     |           |      |        |
|     |           |      |        |



Isometric View



|  |   |   |
|--|---|---|
|  Tél: (450) 979-4373<br>Fax: (450) 979-4626<br><a href="http://www.exmweb.com">www.exmweb.com</a> |   | Flatness<br>Aplatissement<br>Max 3.0mm<br>Projection<br> |
| Customer Client  | Date                                      |   |
| Drawn By<br>Dessiné Par  | BoxCad: BoxCad                            | Date 09-Jan-25  |
| Material<br>Matière  | 16 Ga Cold Rolled A1008 CS Type B (1.4mm) |   |
| Color<br>Couleur   | Light Grey RAL7035                        | Finish<br>Fini Textured   |
| Description<br>6412ESCHWTB 400mm x 400mm x 120mm<br>Body   |   | Detail Rev.   |
| Part Number<br>Numéro Pièce  | Rev. 0                                    | 3<br>9  |

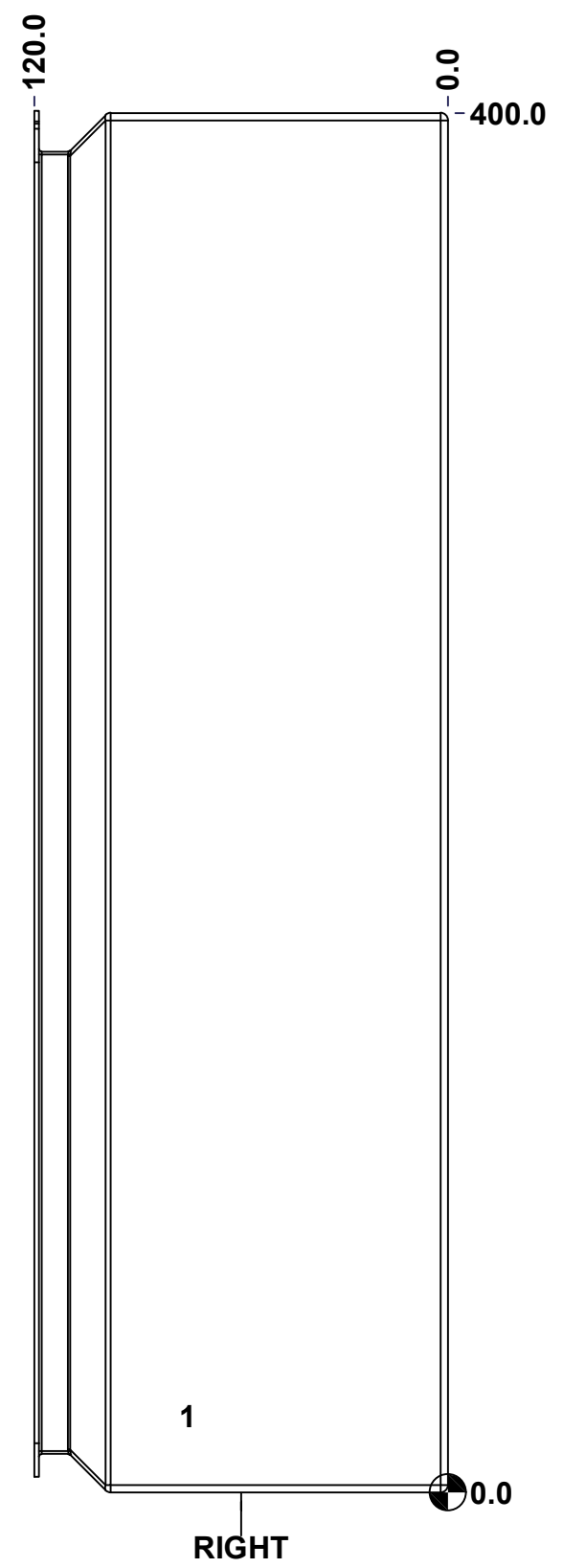
SEE BILL OF MATERIAL ON LAST PAGE

**6412ESCHWTB404012B**

This drawing is confidential and must not be reproduced or used without the consent of EXM

Ce dessin est confidentiel et ne doit pas être reproduit ou utilisé sans le consentement de EXM

| <b>STANDARD FEATURES ARE NOT LISTED IN THIS HOLE TABLE</b> |      |      |                             |
|--|------|------|-----------------------------|
| <b>HOLE TABLE - RIGHT VIEW (CUSTOM FEATURE ONLY)</b>       |      |      |                             |
| CUT-OUT  | XDIM | YDIM | DESCRIPTION                 |
| 1  | 77.2 | 22.2 | STANDOFF M6 x 10mm (Inside) |



|  |  |                        |
|--|--|------------------------|
|  | Description<br>6412ESCHWTB 400mm x 400mm x<br>112.1mm Body | Status<br>(NULL)       |
|  | Part Number<br>Numéro Pièce<br><b>6412ESCHWTB404012B</b>   | Rev. 4<br><b>0</b> / 9 |

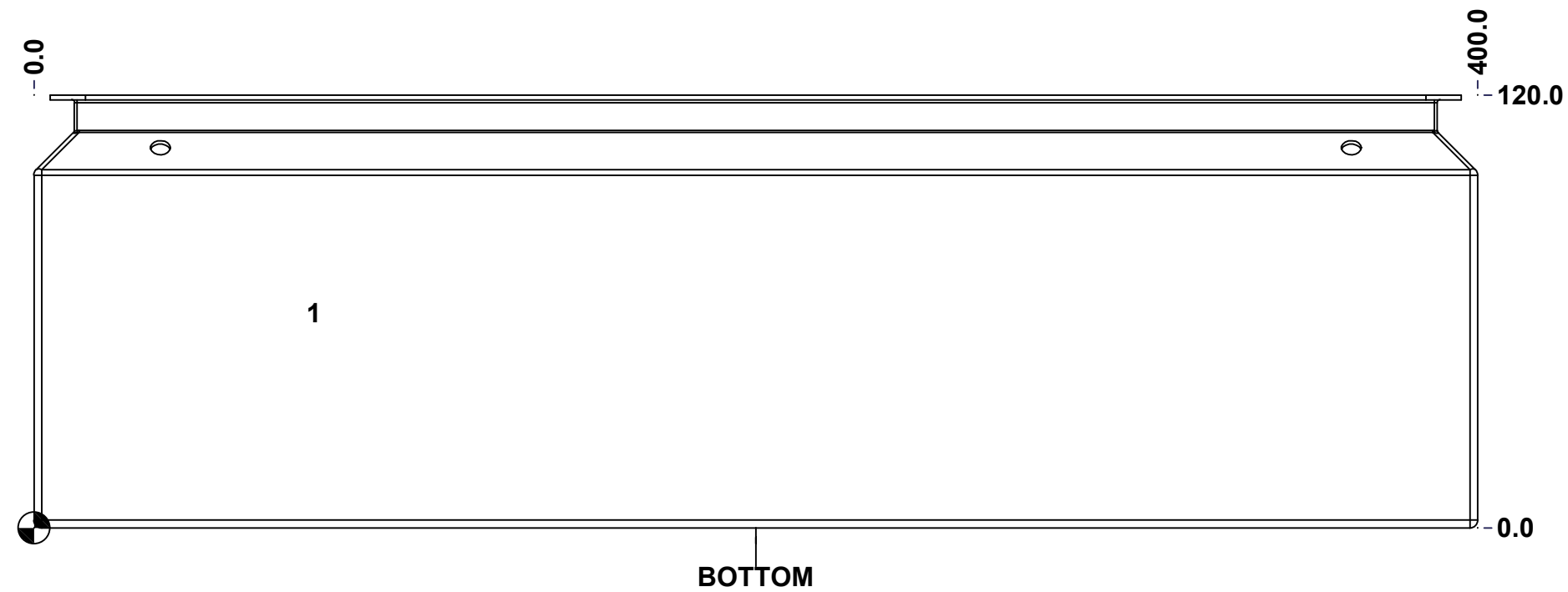
This drawing is confidential and must not be reproduced or used without the consent of EXM

Ce dessin est confidentiel et ne doit pas être reproduit ou utilisé sans le consentement de EXM

**STANDARD FEATURES ARE NOT LISTED IN THIS HOLE TABLE**

**HOLE TABLE - BOTTOM VIEW (CUSTOM FEATURE ONLY)**

| CUT-OUT | XDIM | YDIM | DESCRIPTION |
|---------|------|------|-------------|
| 1       | 76.2 | 59.7 | LABEL_EXM   |



|  |  |                        |
|--|--|------------------------|
|  | Description<br>6412ESCHWTB 400mm x 400mm x<br>112.1mm Body | Status<br>(NULL)       |
|  | Part Number<br>Numéro Pièce<br><b>6412ESCHWTB404012B</b>   | Rev. 5<br><b>0</b> / 9 |

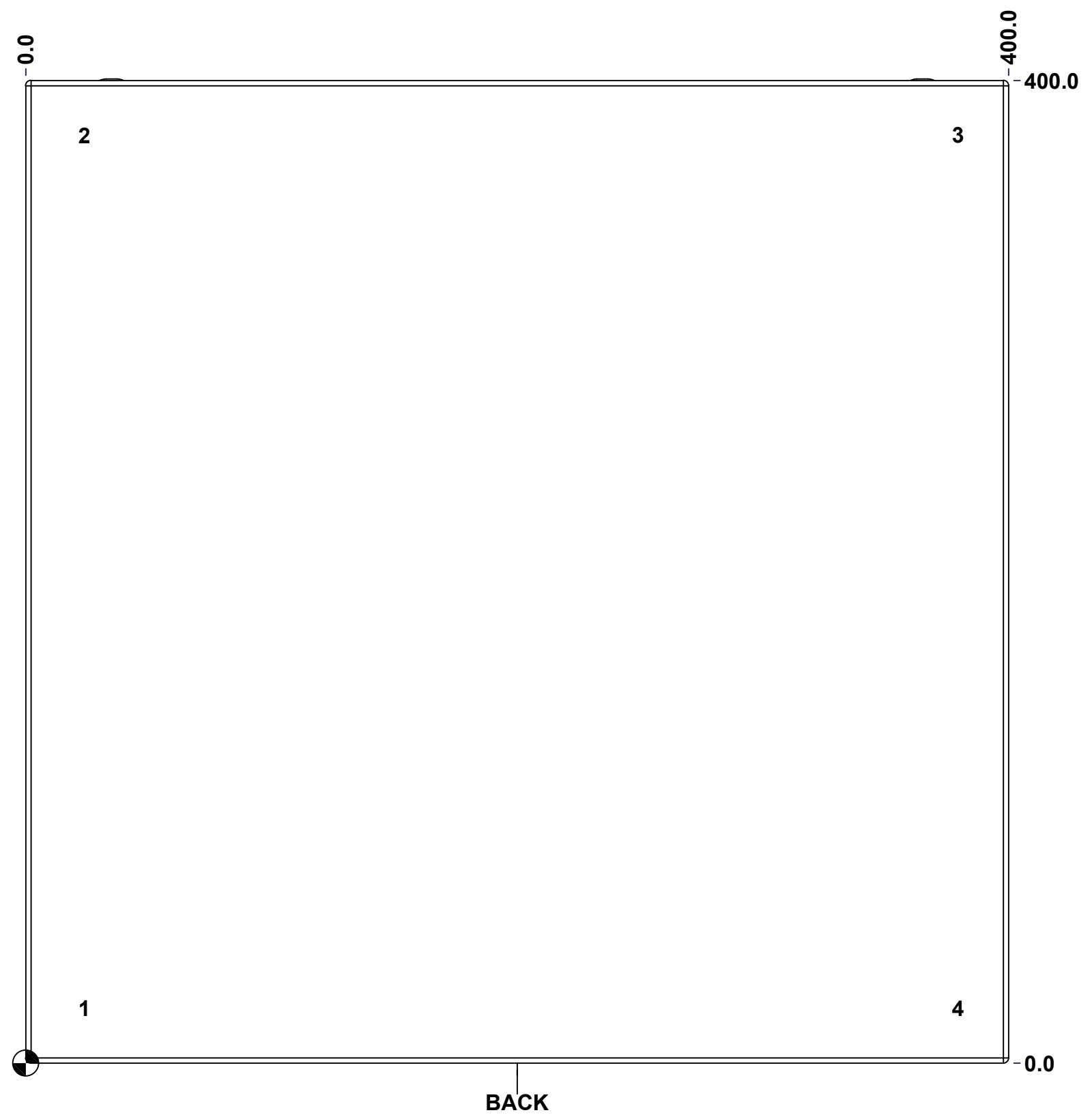
This drawing is confidential and must not be reproduced or used without the consent of EXM

Ce dessin est confidentiel et ne doit pas être reproduit ou utilisé sans le consentement de EXM

**STANDARD FEATURES ARE NOT LISTED IN THIS HOLE TABLE**

**HOLE TABLE - BACK VIEW (CUSTOM FEATURE ONLY)**

| CUT-OUT | XDIM  | YDIM  | DESCRIPTION                    |
|---------|-------|-------|--------------------------------|
| 1       | 22.2  | 22.2  | IP STANDOFF M6 x 10mm (Inside) |
| 2       | 22.2  | 377.8 | IP STANDOFF M6 x 10mm (Inside) |
| 3       | 377.8 | 377.8 | IP STANDOFF M6 x 10mm (Inside) |
| 4       | 377.8 | 22.2  | IP STANDOFF M6 x 10mm (Inside) |

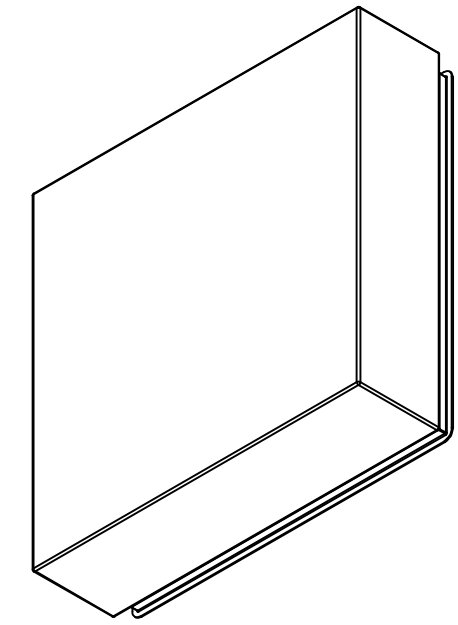


|  |  |  |                        |
|--|--|--|------------------------|
|  | Description<br>6412ESCHWTB 400mm x 400mm x<br>112.1mm Body |  | Status<br>(NULL)       |
|  | Part Number<br>Numéro Pièce<br><b>6412ESCHWTB404012B</b>   |  | Rev. 6<br><b>0</b> / 9 |

This drawing is confidential and must not be reproduced or used without the consent of EXM


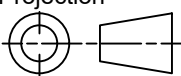
Ce dessin est confidentiel et ne doit pas être reproduit ou utilisé sans le consentement de EXM

| No. | Revisions | Date | By/Par |
|-----|-----------|------|--------|
|     |           |      |        |
|     |           |      |        |
|     |           |      |        |
|     |           |      |        |
|     |           |      |        |



Isometric View

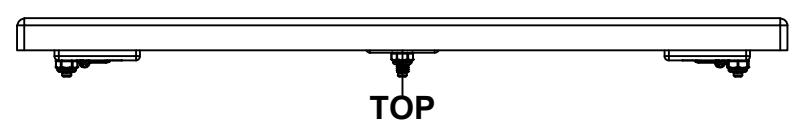


|  |   |   |
|--|---|---|
|  Tél: (450) 979-4373<br>Fax: (450) 979-4626<br><a href="http://www.exmweb.com">www.exmweb.com</a> | Flatness<br>Aplatissement                 | Max 3.0mm   |
|  | Projection                                |  |
| Customer<br>Client   | Date                                      |   |
| Drawn By<br>Dessiné Par  | BoxCad: BoxCad                            | Date 09-Jan-25  |
| Material<br>Matière  | 16 Ga Cold Rolled A1008 CS Type B (1.4mm) |   |
| Color<br>Couleur   | Light Grey RAL7035                        | Finish<br>Fini Textured   |
| Description  | 6412ESCHWTB 400mm x 400mm x 120mm Body    |   |
| Part Number<br>Numéro Pièce  | <b>6412ESCHWTB404012B</b>                 | Detail Rev.<br>Rev. 7   |
|  |   | 9   |

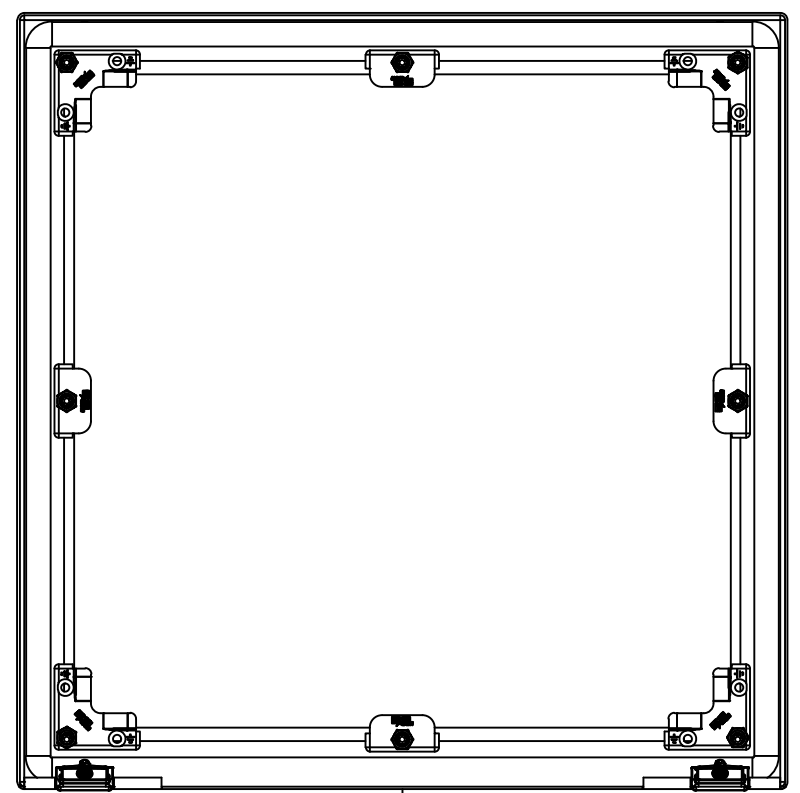
| Qty        | Part Number          | Rev | Description                                   |
|------------|----------------------|-----|---|
| 1          | STK-S-00100          | 0   | 3.5" x 2" Silver Milar Flexcon Sticker        |
| 2          | RIVET_NUT_M5_FH_OE   | 0   | Rivet Nut M5 (Low Profile Open End)           |
| 1          | 6412ESCHWTB404012B-P | 0   | 6412ESCHWTB 400mm x 400mm x 112.1mm Body Part |
| 1          | STK-P-03820R         | 0   | Powder Paint (Light Grey / Rough Textured)    |
| 5          | STK-Q-08350          | 5   | Standoff M6 x 10mm                            |
| Parts List |                      |     |   |

This drawing is confidential and must not be reproduced or used without the consent of EXM

Ce dessin est confidentiel et ne doit pas être reproduit ou utilisé sans le consentement de EXM



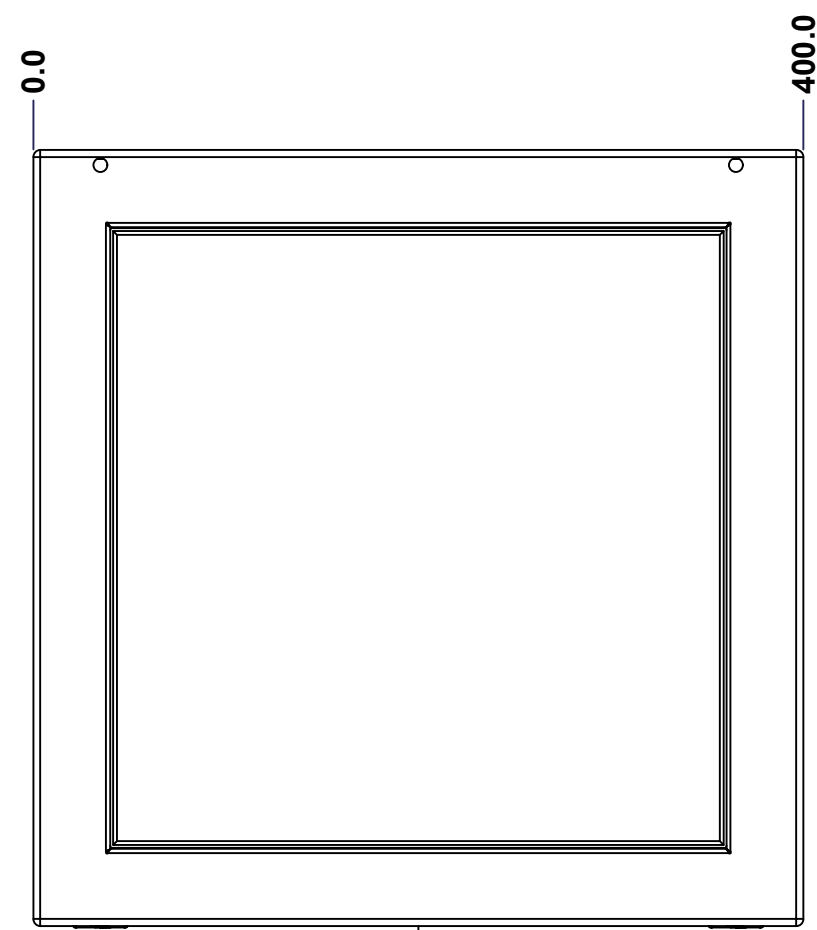
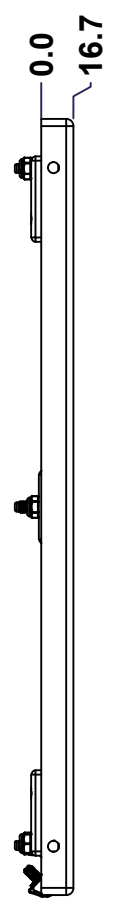
TOP



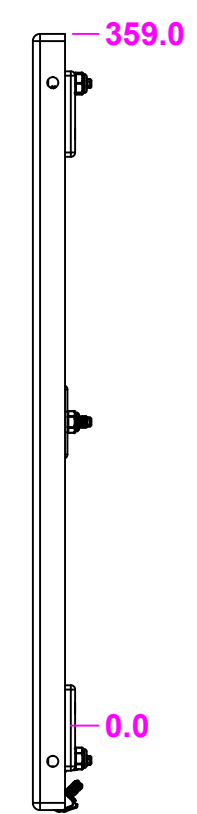
BACK



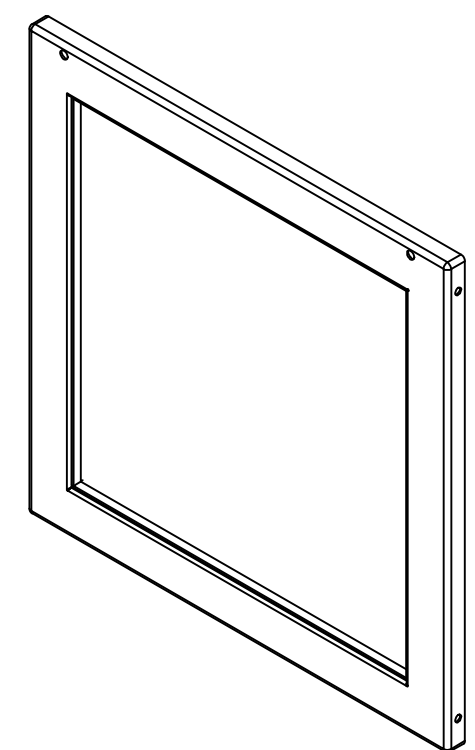
BOTTOM



FRONT



| No. | Revisions | Date | By/Par |
|-----|-----------|------|--------|
|     |           |      |        |
|     |           |      |        |
|     |           |      |        |
|     |           |      |        |



Isometric View



Tél: (450) 979-4373  
 Fax: (450) 979-4626  
[www.exmweb.com](http://www.exmweb.com)

Flatness  
Aplatissement  
Max 3.0mm  
Projection

|   |                         |
|---|-------------------------|
| Customer Client   | Date                    |
| Drawn By / Dessiné Par: BoxCad: BoxCad                        | Date: 09-Jan-25         |
| Material / Matière: 16 Ga Cold Rolled A1008 CS Type B (1.4mm) |                         |
| Color / Couleur: Light Grey RAL7035                           | Finish / Fini: Textured |

|  |             |
|--|-------------|
| Description: 6412ESCHWTB 400mm x 400mm Cover | Detail Rev. |
|--|-------------|

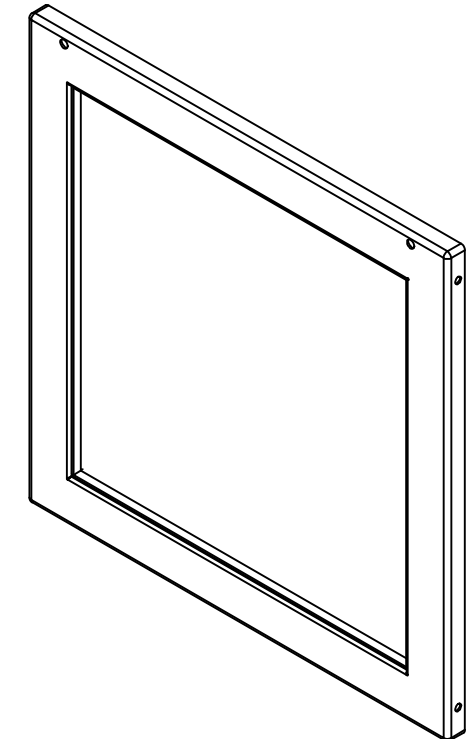
|  |        |   |   |
|--|--------|---|---|
| Part Number / Numéro Pièce: 6412ESCHWTB404012C | Rev. 0 | 8 | 9 |
|--|--------|---|---|

SEE BILL OF MATERIAL ON LAST PAGE

This drawing is confidential and must not be reproduced or used without the consent of EXM

Ce dessin est confidentiel et ne doit pas être reproduit ou utilisé sans le consentement de EXM


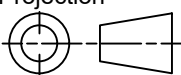
| No. | Revisions | Date | By/Par |
|-----|-----------|------|--------|
|     |           |      |        |
|     |           |      |        |
|     |           |      |        |
|     |           |      |        |
|     |           |      |        |



Isometric View



|            |                       |     |  |
|------------|-----------------------|-----|--|
| 1          | STK-P-03820R          | 0   | Powder Paint (Light Grey / Rough Textured) |
| 1          | STK-A-60703           | 0   | 5412 ESW Lexan Bracket Kit                 |
| 8          | STK-Q-16052           | 0   | M6 x 23mm Stud (No Paint Cap Required)     |
| 1          | 6412ESCHWTB404012LX   | 0   | 6412ESCHWTB Lexan 339mm x 341.1mm 6mm      |
| 1          | 6412ESCHWTB404012LX G | 0   | 6412ESCHWTB 400mm x 400mm Lexan Gasket     |
| 1          | STK-G-02705           | 0   | 880 HWKG - Windows Kit Gasket              |
| 1          | 6412ESCHWTB404012G    | 0   | 6412ESCHWTB 400mm x 400mm Gasket           |
| 1          | 6412ESCHWTB404012C-P  | 0   | 6412ESCHWTB 400mm x 400mm Cover Part       |
| 2          | STK-A-33033           | 4   | 5412 ESMCH Hinge                           |
| 4          | STK-Q-60700           | 4   | 880 WK Lexan 1/4" Fixing Bracket           |
| Qty        | Part Number           | Rev | Description                                |
| Parts List |                       |     |  |

|  |   |   |
|--|---|---|
|  Tél: (450) 979-4373<br>Fax: (450) 979-4626<br><a href="http://www.exmweb.com">www.exmweb.com</a> |   | Flatness<br>Aplatissement<br>Max 3.0mm<br>Projection<br> |
| Customer<br>Client   | Date                                      |   |
| Drawn By<br>Dessiné Par  | BoxCad: BoxCad                            | Date 09-Jan-25  |
| Material<br>Matière  | 16 Ga Cold Rolled A1008 CS Type B (1.4mm) |   |
| Color<br>Couleur   | Light Grey RAL7035                        | Finish<br>Fini Textured   |
| Description  |   | Detail Rev.   |
| 6412ESCHWTB 400mm x 400mm Cover  |   |   |
| Part Number<br>Numéro Pièce  | Rev.                                      | 9   |
| <b>6412ESCHWTB404012C</b>  | <b>0</b>                                  | <b>9</b>  |