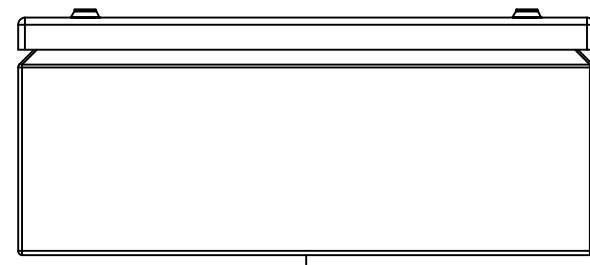
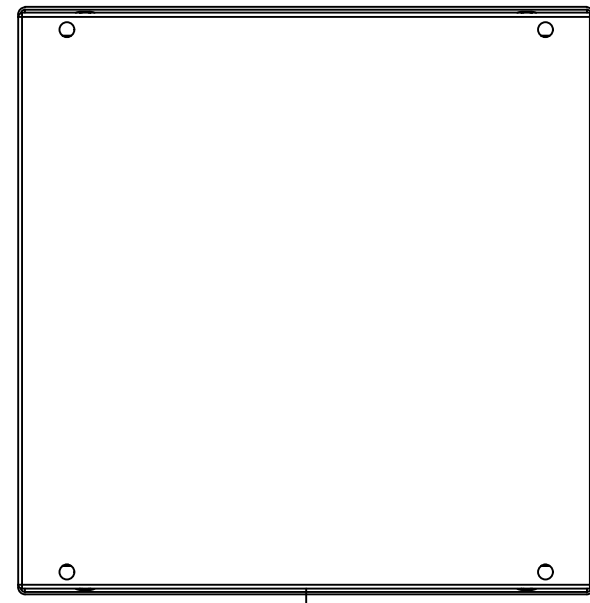


This drawing is confidential and must not be reproduced or used without the consent of EXM

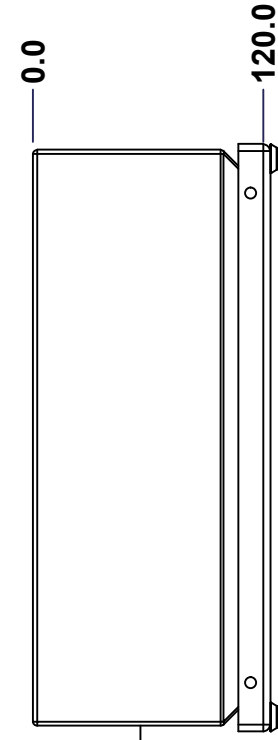
Ce dessin est confidentiel et ne doit pas être reproduit ou utilisé sans le consentement de EXM



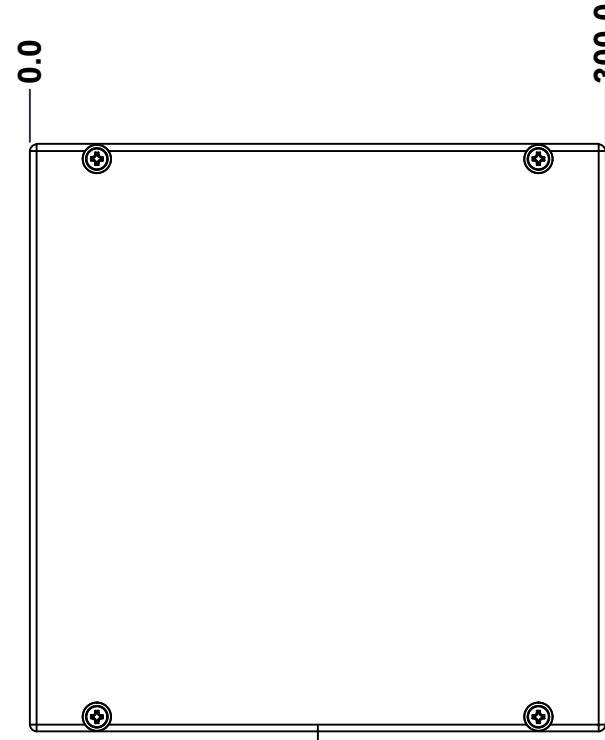
TOP



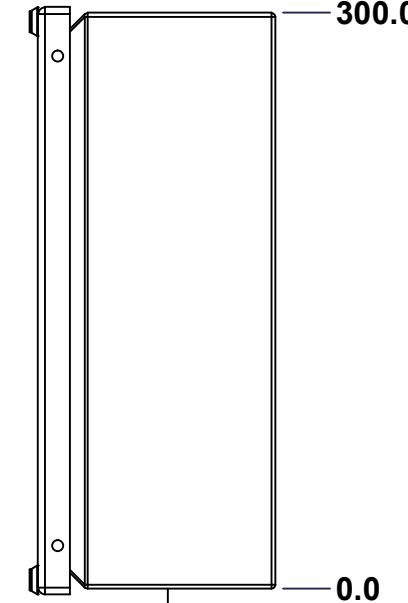
BACK



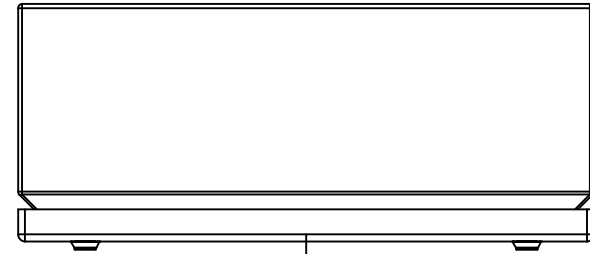
LEFT



FRONT

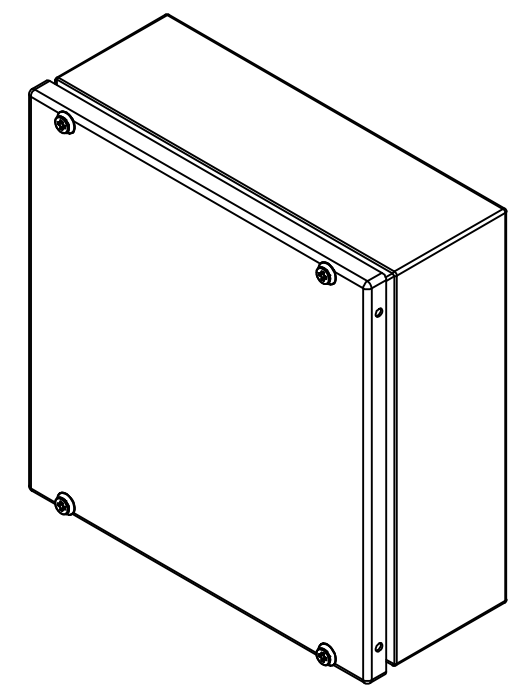


RIGHT



BOTTOM

No.	Revisions	Date	By/Par



Isometric View



Tél: (450) 979-4373  
 Fax: (450) 979-4626  
[www.exmweb.com](http://www.exmweb.com)

Flatness  
Aplatissement  
Max 3.0mm  
Projection

Customer Client	Date
Drawn By / Dessiné Par: BoxCad: patsan	Date: 04-Mar-16
Material / Matière: 16 Ga Cold Rolled A1008 CS Type B (1.4mm)	
Color / Couleur: Light Grey RAL7035	Finish / Fini: Textured
Description: 6412ESTB 300mm x 300mm x 120mm Assembly	Detail Rev.

Part Number / Numéro Pièce: 6412ESTB303012	Rev. 0	1 / 9
--	--------	-------

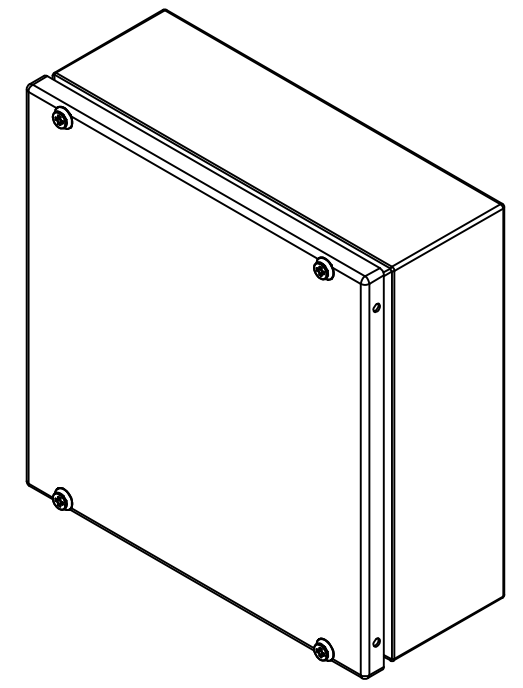
SEE BILL OF MATERIAL ON LAST PAGE

This drawing is confidential and must not be reproduced or used without the consent of EXM

Ce dessin est confidentiel et ne doit pas être reproduit ou utilisé sans le consentement de EXM

NOTE	
ITEM	DESCRIPTION
1	NEMA 4, 12 Enclosure (IP66)
2	C/W Standard ground standoffs on box and cover
3	W/O Standard door stiffener
4	W/O Inner panel
5	C/W Standard inner panel mounting standoffs

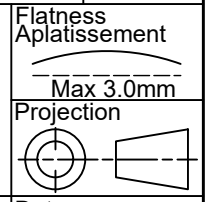
No.	Revisions	Date	By/Par



Isometric View



Tél: (450) 979-4373  
 Fax: (450) 979-4626  
[www.exmweb.com](http://www.exmweb.com)



Customer Client	Date
Drawn By / Dessiné Par: BoxCad: patsan	Date: 04-Mar-16
Material / Matière: 16 Ga Cold Rolled A1008 CS Type B (1.4mm)	

Color / Couleur: Light Grey RAL7035	Finish / Fini: Textured
-------------------------------------	-------------------------

Description: 6412ESTB 300mm x 300mm x 120mm Assembly	Detail Rev.
--	-------------

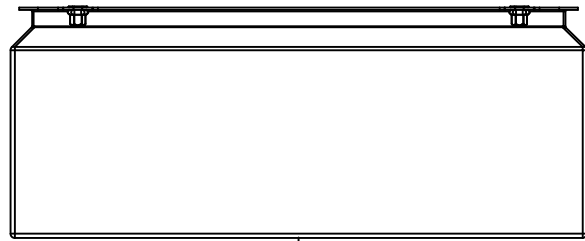
Part Number / Numéro Pièce: <b>6412ESTB303012</b>	Rev. 0	2 / 9
---	--------	-------

PACKING		
ITEM	QTY	DESCRIPTION
Cardboard sleeve	1	Top and Bottom
Cardboard strip	1	Between back of enclosure and inner panel
Plastic bag	1	To protect cover surface and inside gasket
Packaging label	1	White label with product number

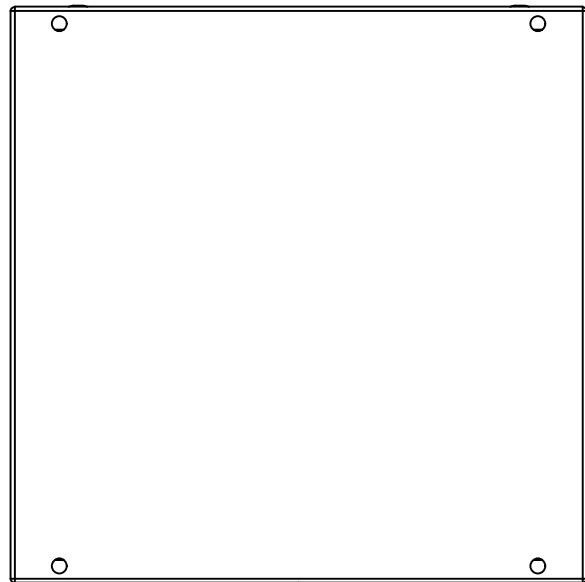
Qty	Part Number	Rev	Description
1	6412ESTB303012C	0	6412ESTB 300mm x 300mm Cover
1	STK-K-02920	3	5412 ESSC Accessory Kit
2	6412ESTB303012BR-P	0	6412ESTB 300mm Bracket Part
1	6412ESTB303012B	0	6412ESTB 300mm x 300mm x 120mm Body
Parts List			

This drawing is confidential and must not be reproduced or used without the consent of EXM

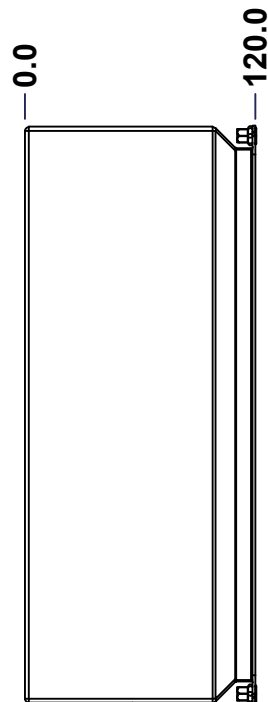
Ce dessin est confidentiel et ne doit pas être reproduit ou utilisé sans le consentement de EXM



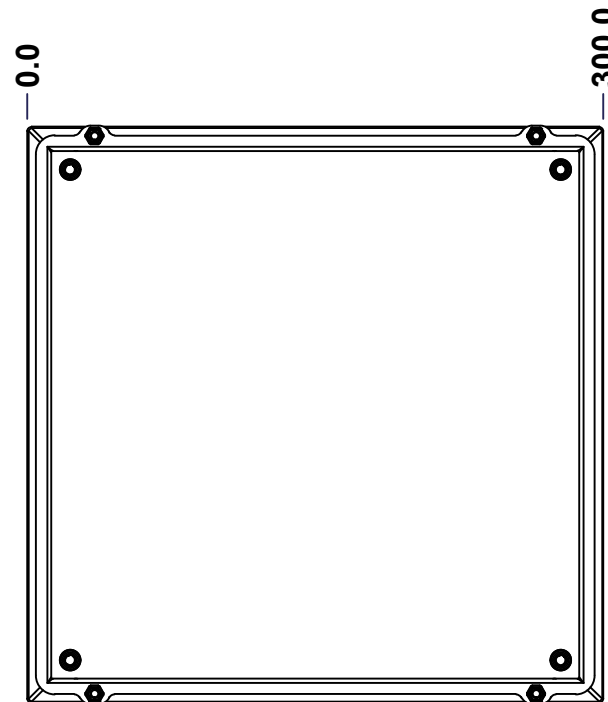
TOP



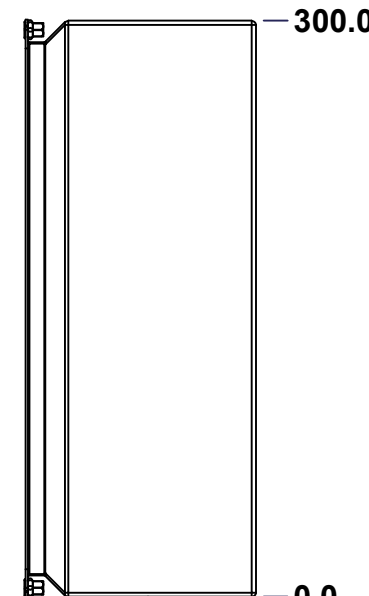
BACK



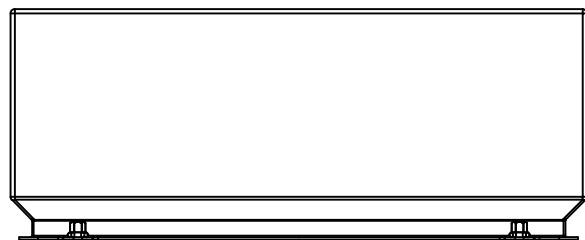
LEFT



FRONT

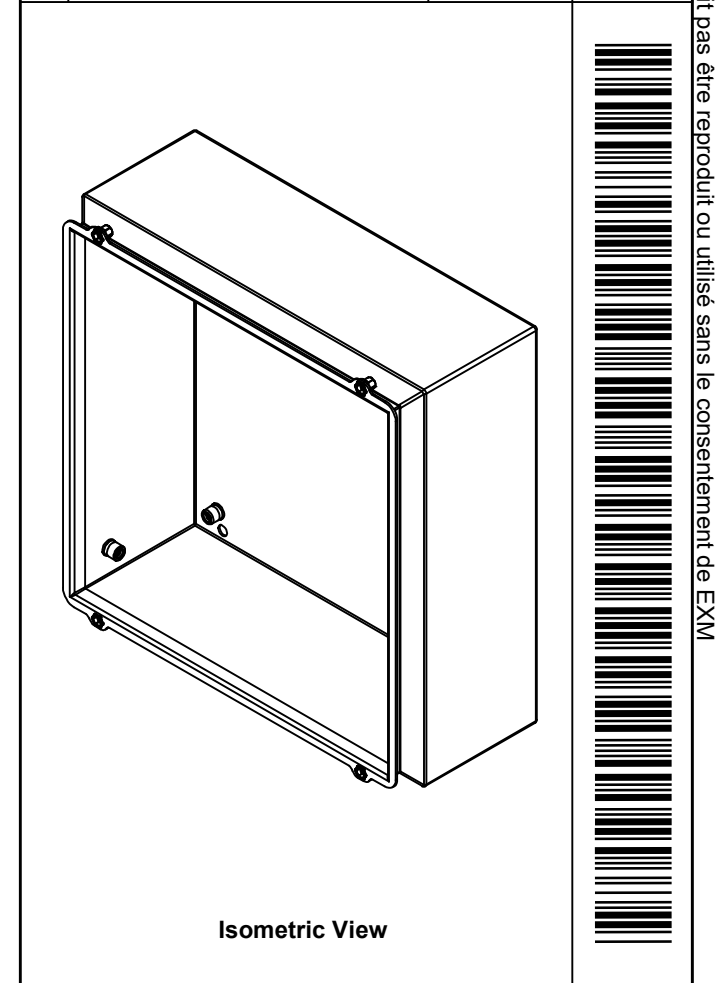


RIGHT



BOTTOM

No.	Revisions	Date	By/Par



Isometric View

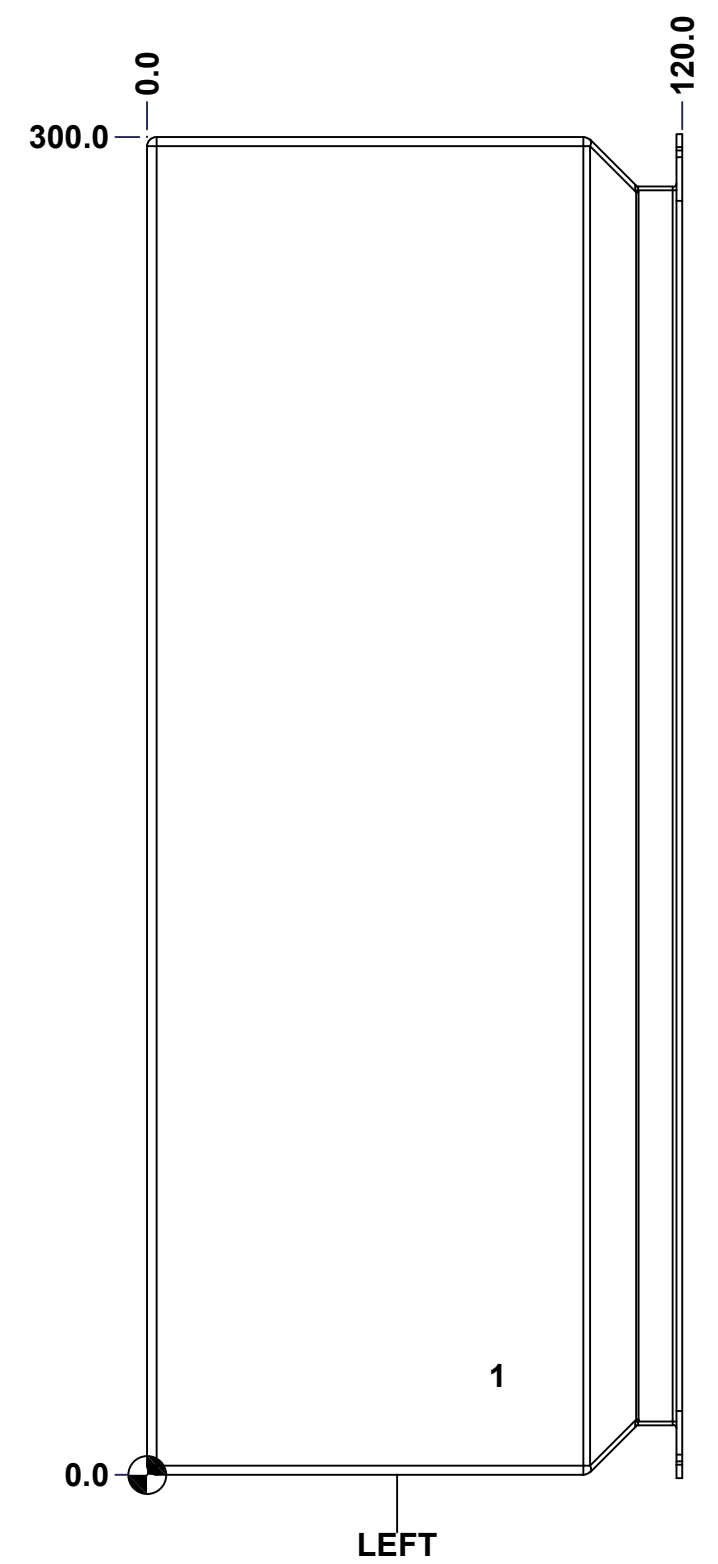
	Flatness Aplatissement Max 3.0mm
	Projection 
Customer Client	Date
Drawn By Dessiné Par BoxCad: patsan	Date 04-Mar-16
Material Matière	16 Ga Cold Rolled A1008 CS Type B (1.4mm)
Color Couleur	Light Grey RAL7035
Finish Fini	Textured
Description	6412ESTB 300mm x 300mm x 120mm Body
Part Number Numéro Pièce	6412ESTB303012B
Rev.	3
	0

SEE BILL OF MATERIAL ON LAST PAGE

This drawing is confidential and must not be reproduced or used without the consent of EXM

Ce dessin est confidentiel et ne doit pas être reproduit ou utilisé sans le consentement de EXM

<b>STANDARD FEATURES ARE NOT LISTED IN THIS HOLE TABLE</b>			
<b>HOLE TABLE - LEFT VIEW (CUSTOM FEATURE ONLY)</b>			
CUT-OUT	XDIM	YDIM	DESCRIPTION
1	77.2	22.2	STANDOFF M6 x 10mm (Inside)



	Description 6412ESTB 300mm x 300mm x 120mm Body	Status (NULL)
	Part Number Numéro Pièce <b>6412ESTB303012B</b>	Rev. 4 <b>0</b> / 9

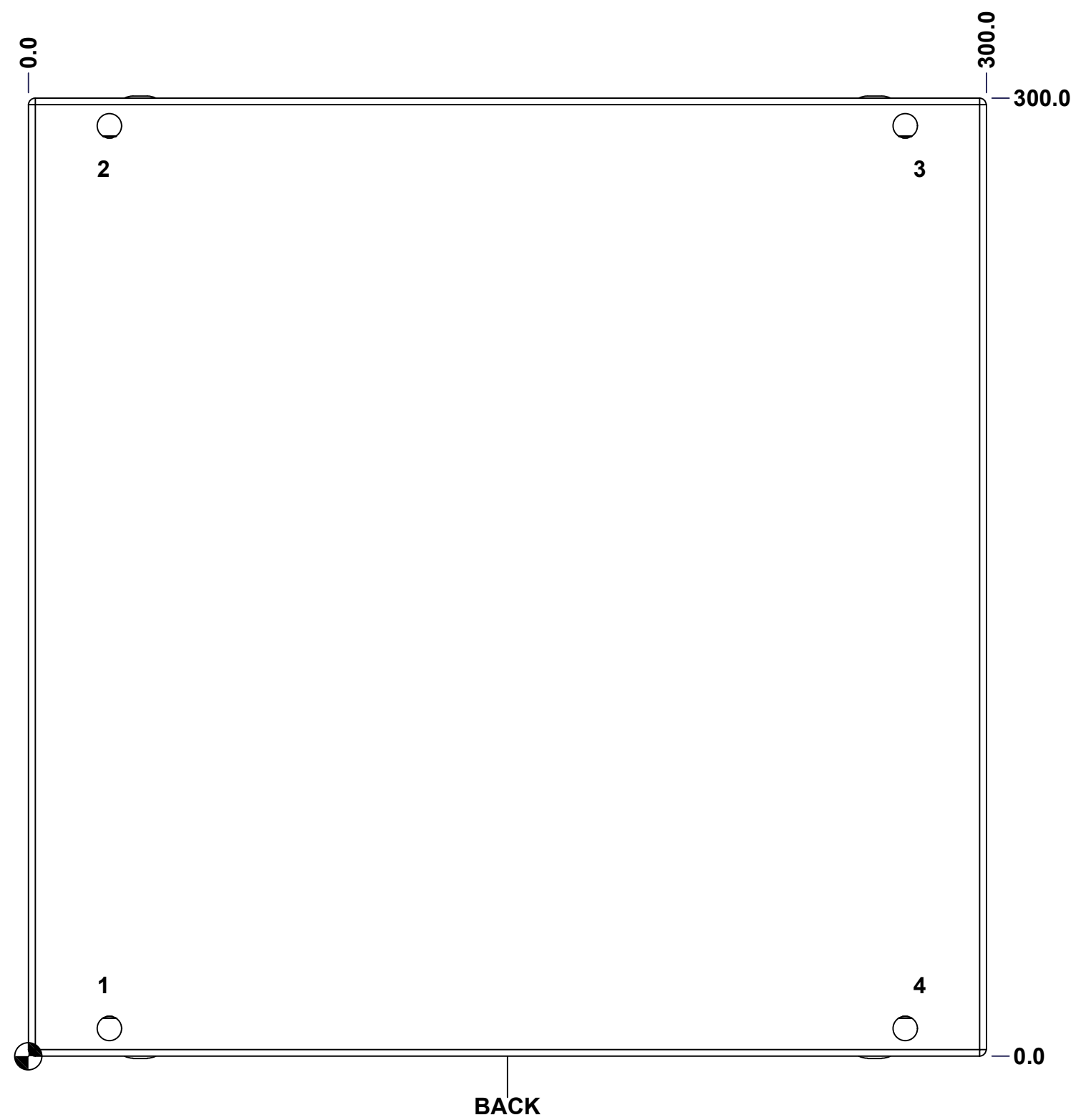
This drawing is confidential and must not be reproduced or used without the consent of EXM

Ce dessin est confidentiel et ne doit pas être reproduit ou utilisé sans le consentement de EXM

**STANDARD FEATURES ARE NOT LISTED IN THIS HOLE TABLE**

**HOLE TABLE - BACK VIEW (CUSTOM FEATURE ONLY)**

CUT-OUT	XDIM	YDIM	DESCRIPTION
1	22.2	22.2	IP STANDOFF M6 x 10mm (Inside)
2	22.2	277.8	IP STANDOFF M6 x 10mm (Inside)
3	277.8	277.8	IP STANDOFF M6 x 10mm (Inside)
4	277.8	22.2	IP STANDOFF M6 x 10mm (Inside)

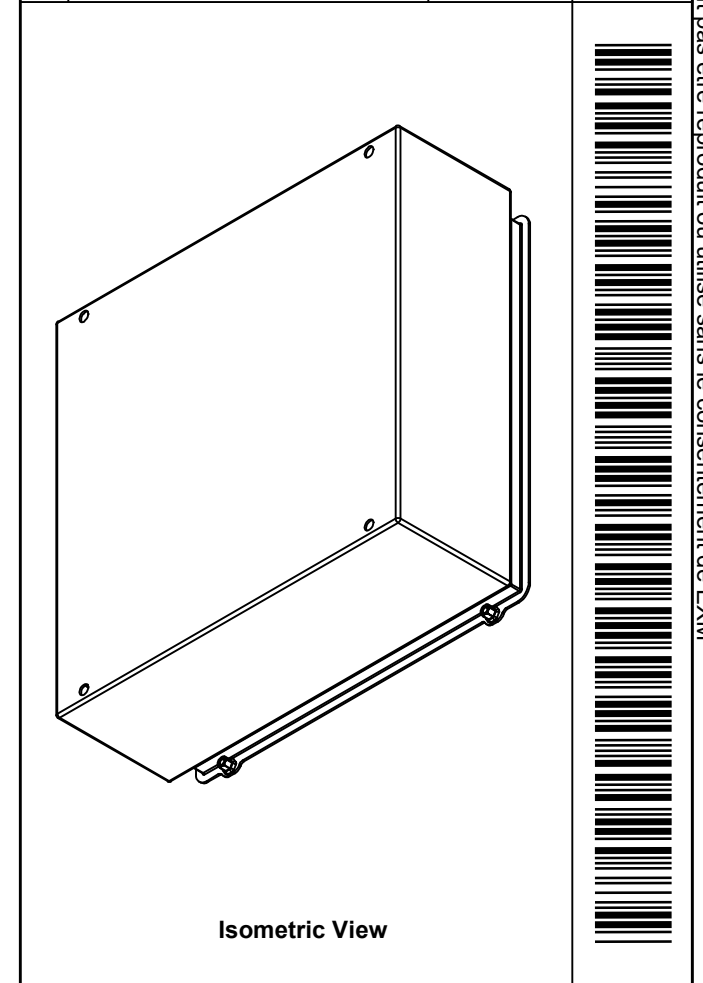



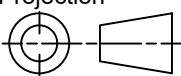
	Description 6412ESTB 300mm x 300mm x 120mm Body		Status (NULL)	
	Part Number Numéro Pièce <b>6412ESTB303012B</b>		Rev. <b>0</b>	5 9

This drawing is confidential and must not be reproduced or used without the consent of EXM

Ce dessin est confidentiel et ne doit pas être reproduit ou utilisé sans le consentement de EXM

No.	Revisions	Date	By/Par

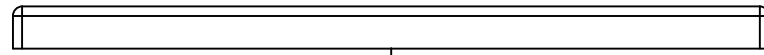


 Tél: (450) 979-4373 Fax: (450) 979-4626 <a href="http://www.exmweb.com">www.exmweb.com</a>		Flatness Aplatissement Max 3.0mm Projection 
Customer Client	Date	
Drawn By Dessiné Par	BoxCad: patsan	Date 04-Mar-16
Material Matière	16 Ga Cold Rolled A1008 CS Type B (1.4mm)	
Color Couleur	Light Grey RAL7035	Finish Fini Textured
Description 6412ESTB 300mm x 300mm x 120mm Body		Detail Rev.
Part Number Numéro Pièce <b>6412ESTB303012B</b>		Rev. 6 <b>0</b> 9

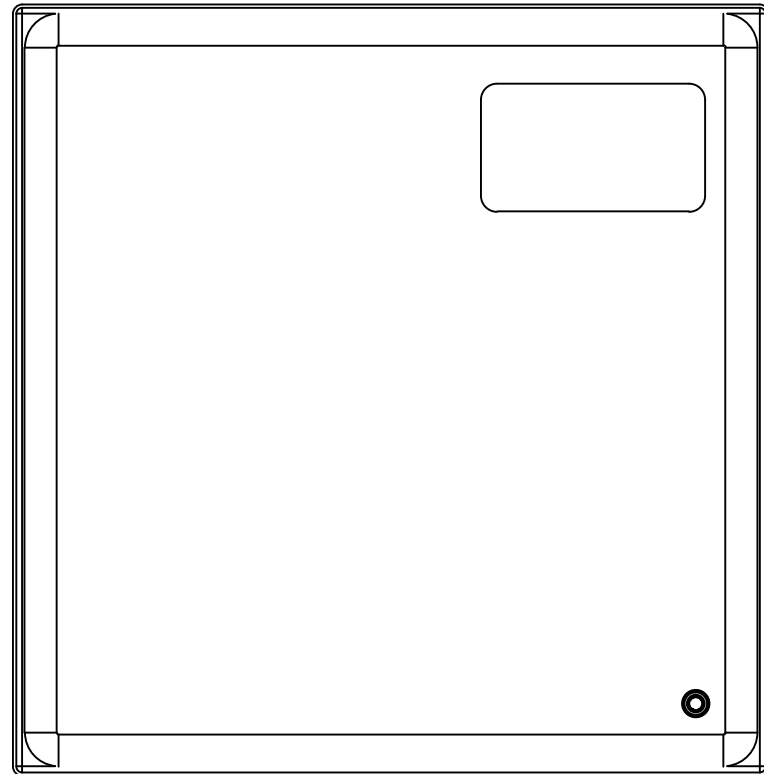
Qty	Part Number	Rev	Description
1	STK-P-03820R	0	Powder Paint (Light Grey / Rough Textured)
4	RIVET_NUT_M5_FH_OE	0	Rivet Nut M5 (Low Profile Open End)
1	6412ESTB303012B-P	0	6412ESTB 300mm x 300mm x 112.1mm Body Part
5	STK-Q-08350	5	Standoff M6 x 10mm
Parts List			

This drawing is confidential and must not be reproduced or used without the consent of EXM

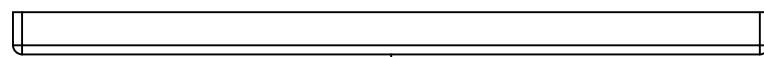
Ce dessin est confidentiel et ne doit pas être reproduit ou utilisé sans le consentement de EXM



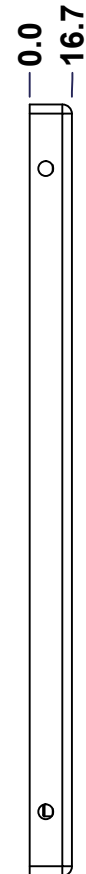
TOP



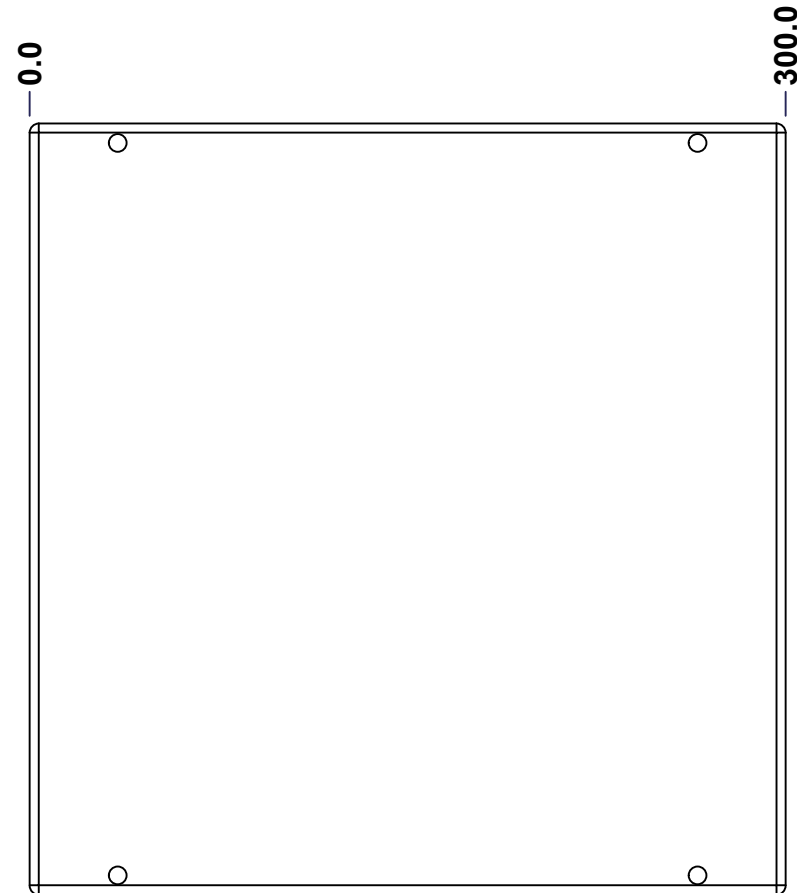
BACK



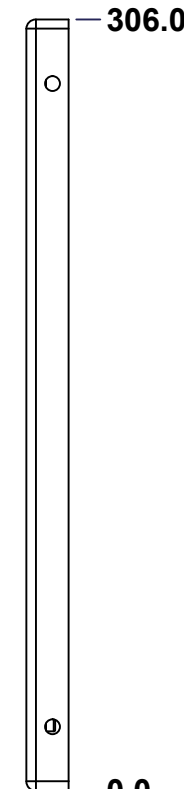
BOTTOM



LEFT

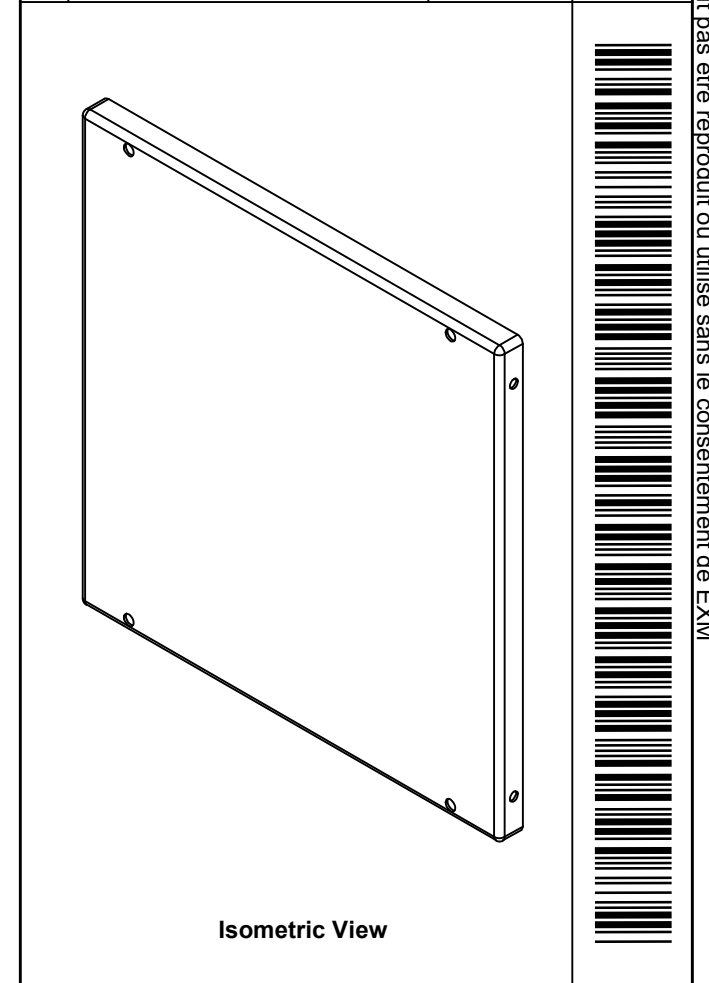



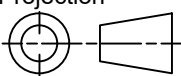
FRONT



RIGHT

No.	Revisions	Date	By/Par



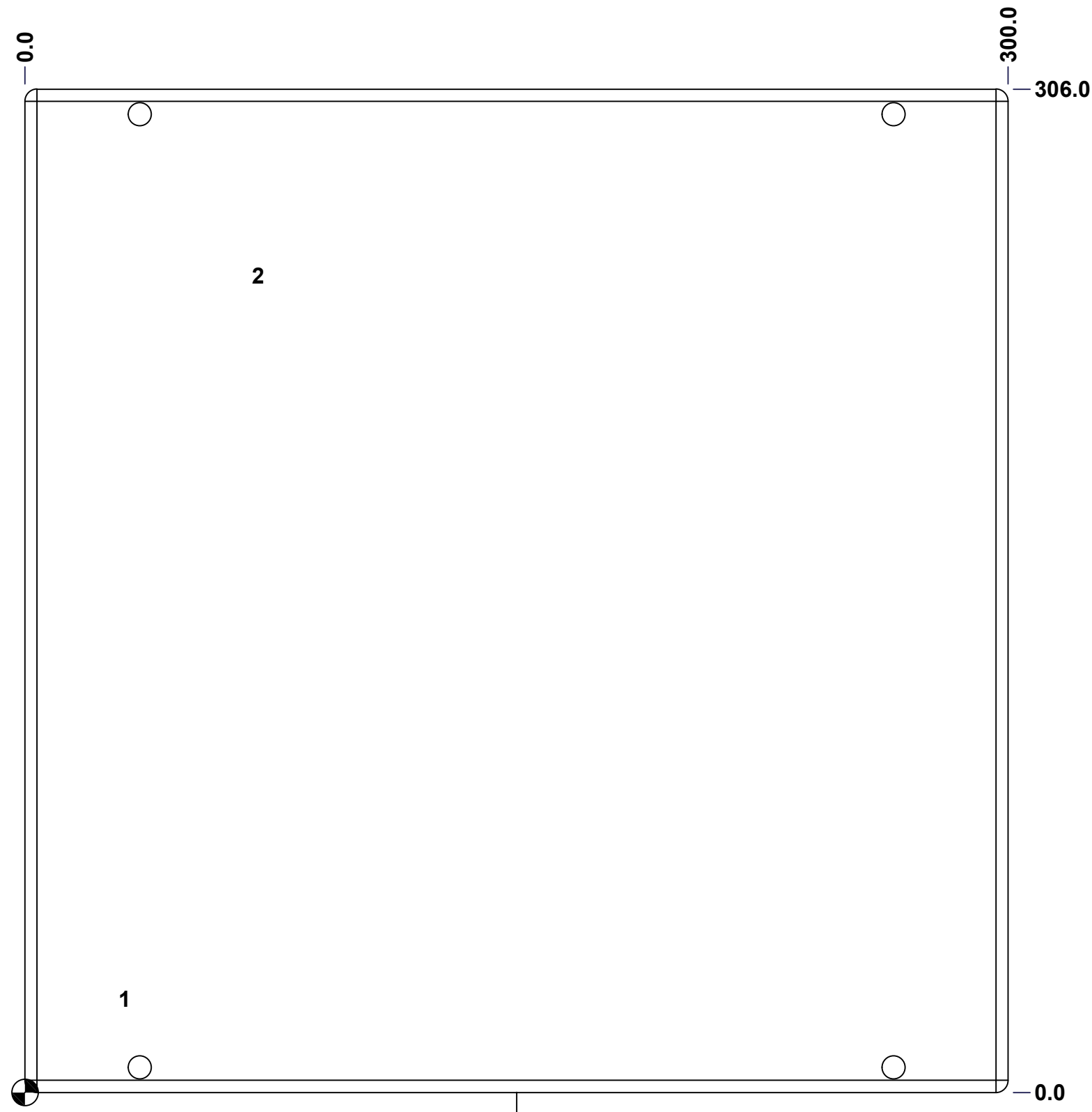
 Tél: (450) 979-4373 Fax: (450) 979-4626 <a href="http://www.exmweb.com">www.exmweb.com</a>		Flatness Aplatissement Max 3.0mm Projection 
Customer Client	Date	
Drawn By Dessiné Par	BoxCad: patsan	Date 04-Mar-16
Material Matière	16 Ga Cold Rolled A1008 CS Type B (1.4mm)	
Color Couleur	Light Grey RAL7035	Finish Fini Textured
Description		Detail Rev.
6412ESTB 300mm x 300mm Cover		
Part Number Numéro Pièce	Rev.	7
6412ESTB303012C	0	9

SEE BILL OF MATERIAL ON LAST PAGE

This drawing is confidential and must not be reproduced or used without the consent of EXM

Ce dessin est confidentiel et ne doit pas être reproduit ou utilisé sans le consentement de EXM

STANDARD FEATURES ARE NOT LISTED IN THIS HOLE TABLE			
HOLE TABLE - FRONT VIEW (CUSTOM FEATURE ONLY)			
CUT-OUT	XDIM	YDIM	DESCRIPTION
1	29.1	28.6	STANDOFF M6 x 10mm (Inside)
2	69.9	249.2	LABEL_EXM (Inside)



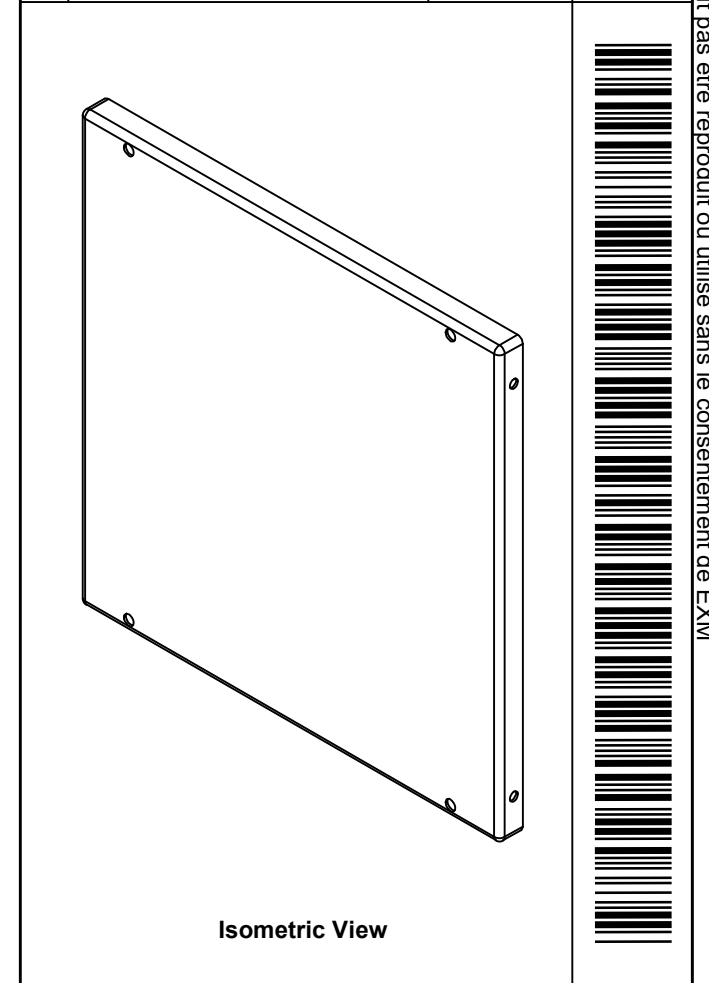
FRONT


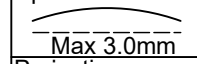
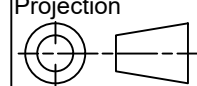
	Description	Status	
	6412ESTB 300mm x 300mm Cover	(NULL)	
	Part Number Numéro Pièce	Rev.	
	<b>6412ESTB303012C</b>	<b>0</b>	8 9

This drawing is confidential and must not be reproduced or used without the consent of EXM

Ce dessin est confidentiel et ne doit pas être reproduit ou utilisé sans le consentement de EXM

No.	Revisions	Date	By/Par



 Tél: (450) 979-4373 Fax: (450) 979-4626 <a href="http://www.exmweb.com">www.exmweb.com</a>		Flatness Aplatissement  Max 3.0mm
Customer Client Drawn By / Dessiné Par: BoxCad: patsan		Projection 
Date Date: 04-Mar-16		Material / Matière: 16 Ga Cold Rolled A1008 CS Type B (1.4mm)
Color / Couleur: Light Grey RAL7035		Finish / Fini: Textured
Description: 6412ESTB 300mm x 300mm Cover		Detail Rev.
Part Number / Numéro Pièce: <b>6412ESTB303012C</b>		Rev. 0 / 9

QTY	Part Number	Rev	Description
1	STK-S-00100	0	3.5" x 2" Silver Milar Flexcon Sticker
1	STK-Q-08350	5	Standoff M6 x 10mm
1	STK-P-03820R	0	Powder Paint (Light Grey / Rough Textured)
1	6412ESTB303012G	0	6412ESTB 300mm x 300mm Gasket
1	6412ESTB303012C-P	0	6412ESTB 300mm x 300mm Cover Part
Parts List			