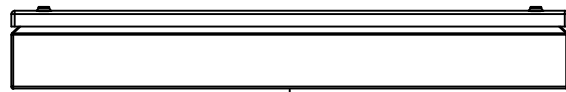


This drawing is confidential and must not be reproduced or used without the consent of EXM

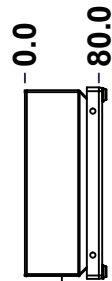
Ce dessin est confidentiel et ne doit pas être reproduit ou utilisé sans le consentement de EXM



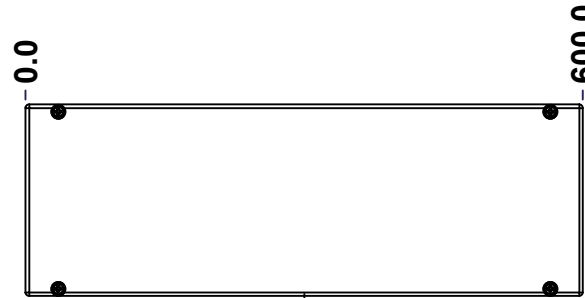
TOP



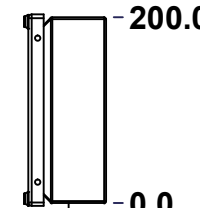
BACK



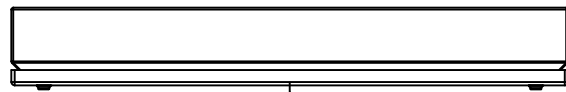
LEFT



FRONT

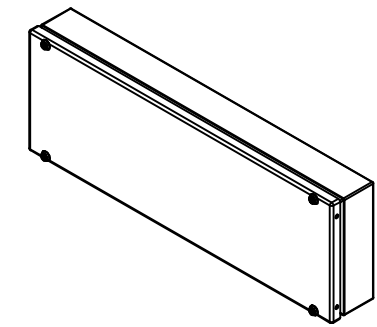


RIGHT



BOTTOM

No.	Revisions	Date	By/Par



Isometric View



Tél: (450) 979-4373
 Fax: (450) 979-4626
www.exmweb.com

Flatness
Aplatissement
Max 3.0mm
Projection

Customer Client	Date
Drawn By / Dessiné Par: BoxCad: BoxCad	Date: 20-Apr-16
Material / Matière: 16 Ga Cold Rolled A1008 CS Type B (1.4mm)	

Color / Couleur: Light Grey RAL7035	Finish / Fini: Textured
-------------------------------------	-------------------------

Description: 6412ESTB 200mm x 600mm x 80mm Assembly	Detail Rev.
---	-------------

Part Number / Numéro Pièce: 6412ESTB602008	Rev. 1
	0
	9

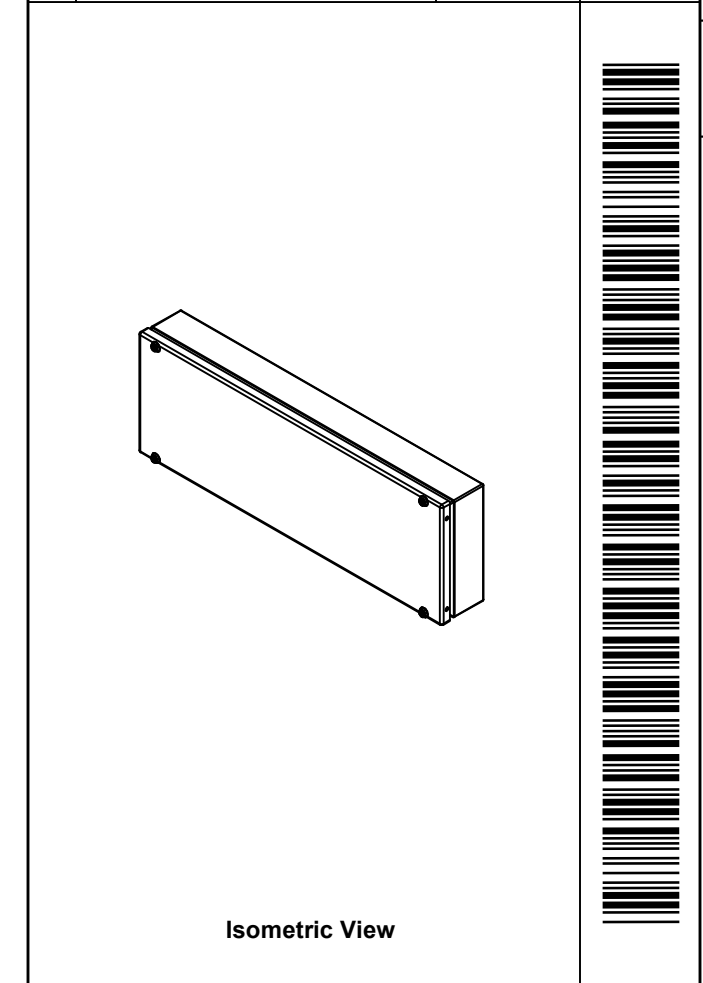
SEE BILL OF MATERIAL ON LAST PAGE


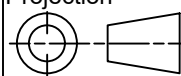
This drawing is confidential and must not be reproduced or used without the consent of EXM

Ce dessin est confidentiel et ne doit pas être reproduit ou utilisé sans le consentement de EXM

NOTE	
ITEM	DESCRIPTION
1	NEMA 4, 12 Enclosure (IP66)
2	C/W Standard ground standoffs on box and cover
3	W/O Standard door stiffener
4	W/O Inner panel
5	C/W Standard inner panel mounting standoffs

No.	Revisions	Date	By/Par



 Tél: (450) 979-4373 Fax: (450) 979-4626 www.exmweb.com	Flatness Aplatissement Max 3.0mm
	Projection 
Customer Client	Date
Drawn By Dessiné Par BoxCad: BoxCad	Date 20-Apr-16
Material Matière 16 Ga Cold Rolled A1008 CS Type B (1.4mm)	
Color Couleur Light Grey RAL7035	Finish Fini Textured
Description 6412ESTB 200mm x 600mm x 80mm Assembly	
Part Number Numéro Pièce 6412ESTB602008	Detail Rev. Rev. 2 0 / 9

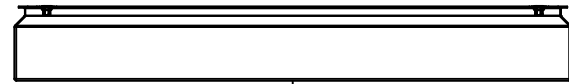
PACKING		
ITEM	QTY	DESCRIPTION
Cardboard sleeve	2	Top and Bottom
Cardboard strip	2	Between back of enclosure and inner panel
Plastic bag	1	To protect cover surface and inside gasket
Packaging label	1	White label with product number

Qty	Part Number	Rev	Description
1	6412ESTB602008C	0	6412ESTB 200mm x 600mm Cover
2	6412ESTB602008BR-P	0	6412ESTB 200mm Bracket Part
1	STK-K-02920	3	5412 ESSC Accessory Kit
1	6412ESTB602008B	0	6412ESTB 200mm x 600mm x 80mm Body

Parts List

This drawing is confidential and must not be reproduced or used without the consent of EXM

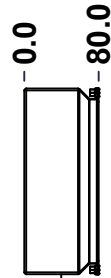
Ce dessin est confidentiel et ne doit pas être reproduit ou utilisé sans le consentement de EXM



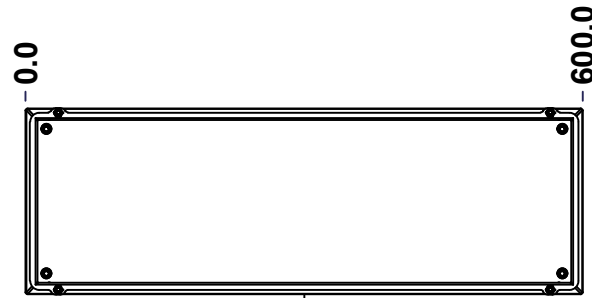
TOP



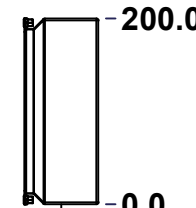
BACK



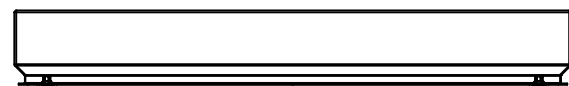
LEFT



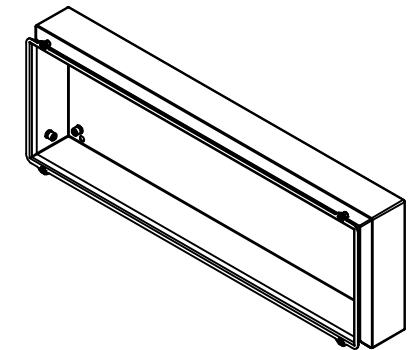
FRONT



RIGHT




BOTTOM



Isometric View



No.	Revisions	Date	By/Par

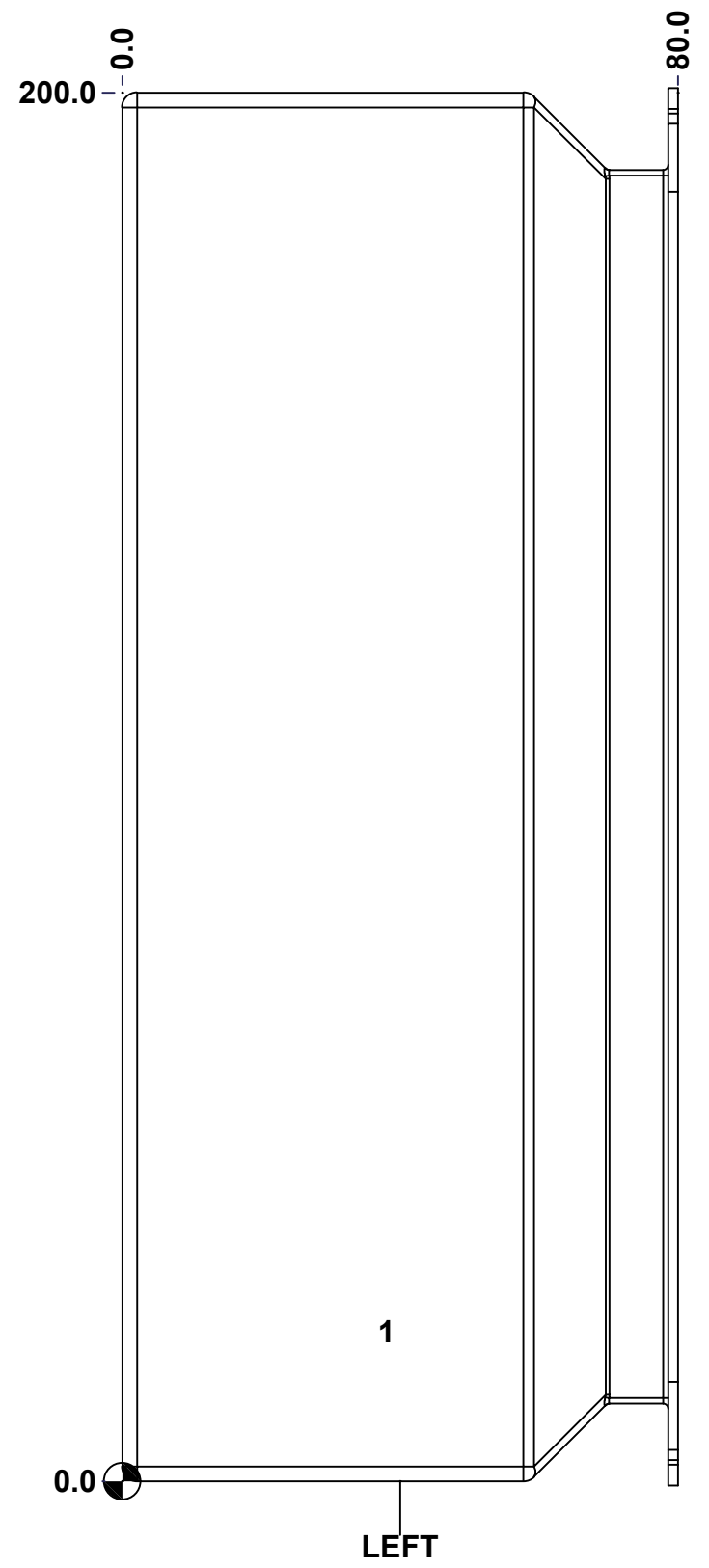
 Tél: (450) 979-4373 Fax: (450) 979-4626 www.exmweb.com		Flatness Aplatissement Max 3.0mm
Customer Client		Date
Drawn By Dessiné Par BoxCad: BoxCad		Date 20-Apr-16
Material Matière 16 Ga Cold Rolled A1008 CS Type B (1.4mm)		
Color Couleur Light Grey RAL7035	Finish Fini Textured	
Description 6412ESTB 200mm x 600mm x 80mm Body		Detail Rev.
Part Number Numéro Pièce 6412ESTB602008B		Rev. 3 0

SEE BILL OF MATERIAL ON LAST PAGE

This drawing is confidential and must not be reproduced or used without the consent of EXM

Ce dessin est confidentiel et ne doit pas être reproduit ou utilisé sans le consentement de EXM

STANDARD FEATURES ARE NOT LISTED IN THIS HOLE TABLE			
HOLE TABLE - LEFT VIEW (CUSTOM FEATURE ONLY)			
CUT-OUT	XDIM	YDIM	DESCRIPTION
1	37.2	22.2	STANDOFF M6 x 10mm (Inside)

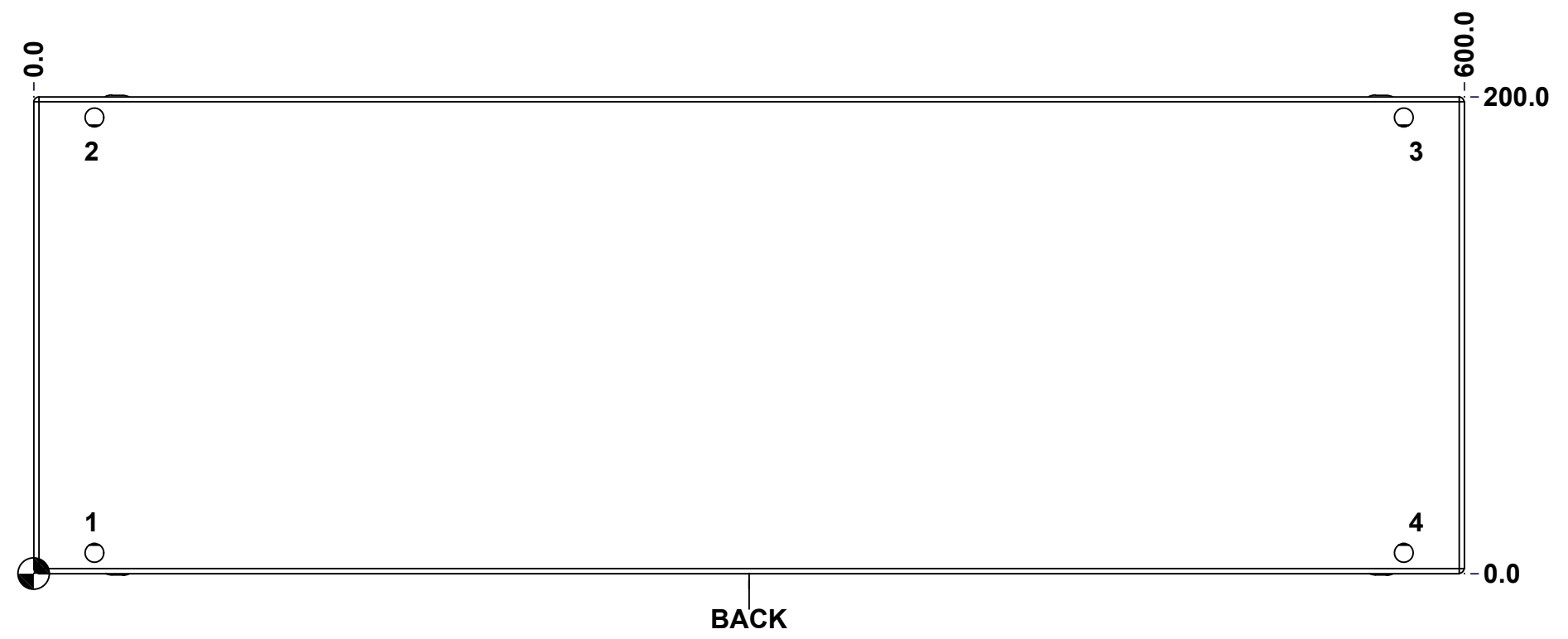


	Description 6412ESTB 200mm x 600mm x 72.1mm Body		Status (NULL)
	Part Number Numéro Pièce 6412ESTB602008B		Rev. 4 0 / 9

This drawing is confidential and must not be reproduced or used without the consent of EXM

Ce dessin est confidentiel et ne doit pas être reproduit ou utilisé sans le consentement de EXM

STANDARD FEATURES ARE NOT LISTED IN THIS HOLE TABLE			
HOLE TABLE - BACK VIEW (CUSTOM FEATURE ONLY)			
CUT-OUT	XDIM	YDIM	DESCRIPTION
1	22.2	22.2	IP STANDOFF M6 x 10mm (Inside)
2	22.2	177.8	IP STANDOFF M6 x 10mm (Inside)
3	577.8	177.8	IP STANDOFF M6 x 10mm (Inside)
4	577.8	22.2	IP STANDOFF M6 x 10mm (Inside)

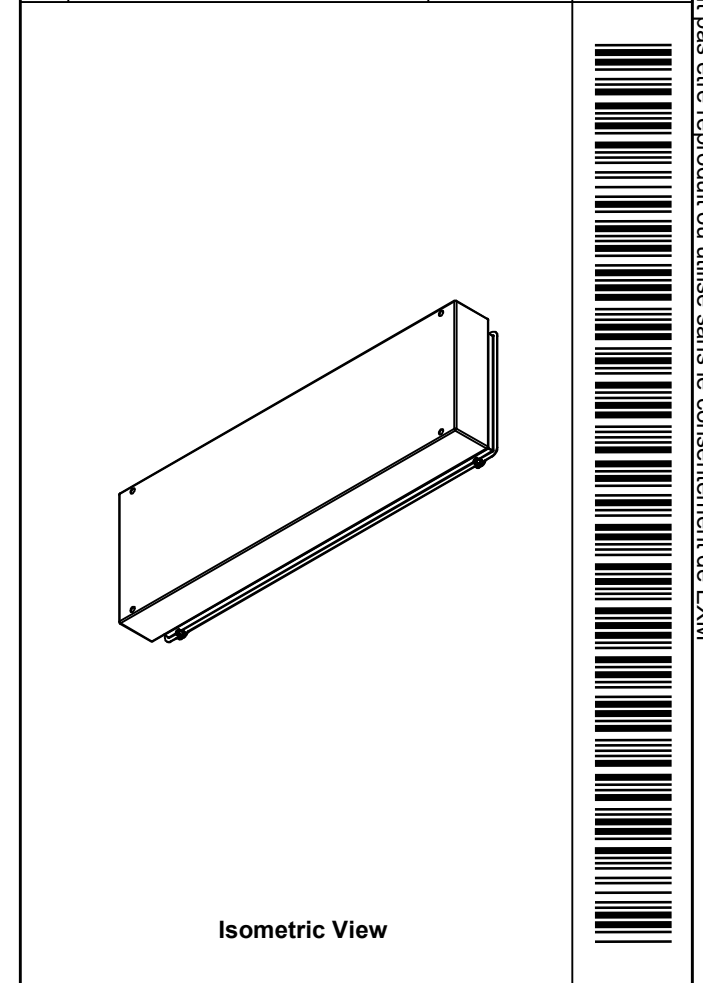



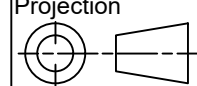
	Description 6412ESTB 200mm x 600mm x 72.1mm Body		Status (NULL)
	Part Number Numéro Pièce 6412ESTB602008B		Rev. 5 0 / 9

This drawing is confidential and must not be reproduced or used without the consent of EXM

Ce dessin est confidentiel et ne doit pas être reproduit ou utilisé sans le consentement de EXM

No.	Revisions	Date	By/Par



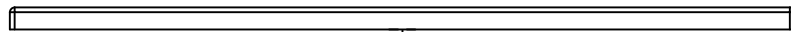
 Tél: (450) 979-4373 Fax: (450) 979-4626 www.exmweb.com	Flatness Aplatissement	Max 3.0mm																				
	Projection																					
Customer Client	Date																					
Drawn By Dessiné Par	BoxCad: BoxCad	Date 20-Apr-16																				
Material Matière	16 Ga Cold Rolled A1008 CS Type B (1.4mm)																					
Color Couleur	Light Grey RAL7035	Finish Fini Textured																				
Description	Detail Rev.																					
Part Number Numéro Pièce	6412ESTB602008B	Rev. 0																				
<table border="1"> <thead> <tr> <th>Qty</th> <th>Part Number</th> <th>Rev</th> <th>Description</th> </tr> </thead> <tbody> <tr> <td>4</td> <td>RIVET_NUT_M5_FH_OE</td> <td>0</td> <td>Rivet Nut M5 (Low Profile Open End)</td> </tr> <tr> <td>1</td> <td>6412ESTB602008B-P</td> <td>0</td> <td>6412ESTB 200mm x 600mm x 72.1mm Body Part</td> </tr> <tr> <td>1</td> <td>STK-P-03820R</td> <td>0</td> <td>Powder Paint (Light Grey / Rough Textured)</td> </tr> <tr> <td>5</td> <td>STK-Q-08350</td> <td>5</td> <td>Standoff M6 x 10mm</td> </tr> </tbody> </table>		Qty	Part Number	Rev	Description	4	RIVET_NUT_M5_FH_OE	0	Rivet Nut M5 (Low Profile Open End)	1	6412ESTB602008B-P	0	6412ESTB 200mm x 600mm x 72.1mm Body Part	1	STK-P-03820R	0	Powder Paint (Light Grey / Rough Textured)	5	STK-Q-08350	5	Standoff M6 x 10mm	6 9
Qty	Part Number	Rev	Description																			
4	RIVET_NUT_M5_FH_OE	0	Rivet Nut M5 (Low Profile Open End)																			
1	6412ESTB602008B-P	0	6412ESTB 200mm x 600mm x 72.1mm Body Part																			
1	STK-P-03820R	0	Powder Paint (Light Grey / Rough Textured)																			
5	STK-Q-08350	5	Standoff M6 x 10mm																			

Qty	Part Number	Rev	Description
4	RIVET_NUT_M5_FH_OE	0	Rivet Nut M5 (Low Profile Open End)
1	6412ESTB602008B-P	0	6412ESTB 200mm x 600mm x 72.1mm Body Part
1	STK-P-03820R	0	Powder Paint (Light Grey / Rough Textured)
5	STK-Q-08350	5	Standoff M6 x 10mm

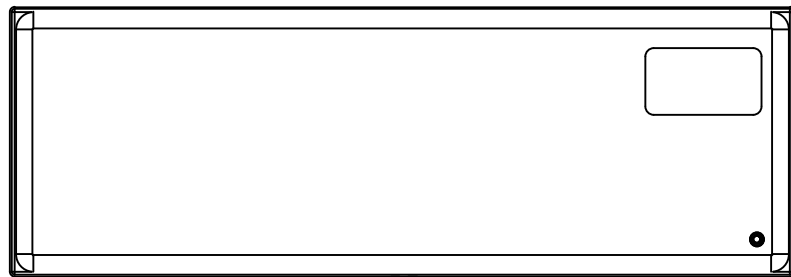
Parts List

This drawing is confidential and must not be reproduced or used without the consent of EXM

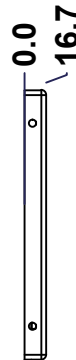
Ce dessin est confidentiel et ne doit pas être reproduit ou utilisé sans le consentement de EXM



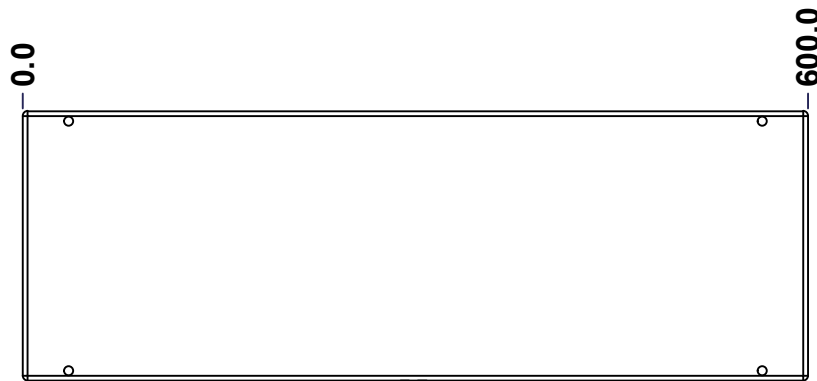
TOP



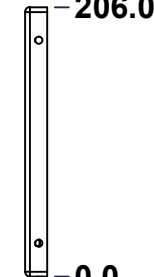
BACK



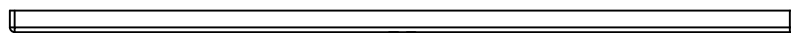
LEFT



FRONT

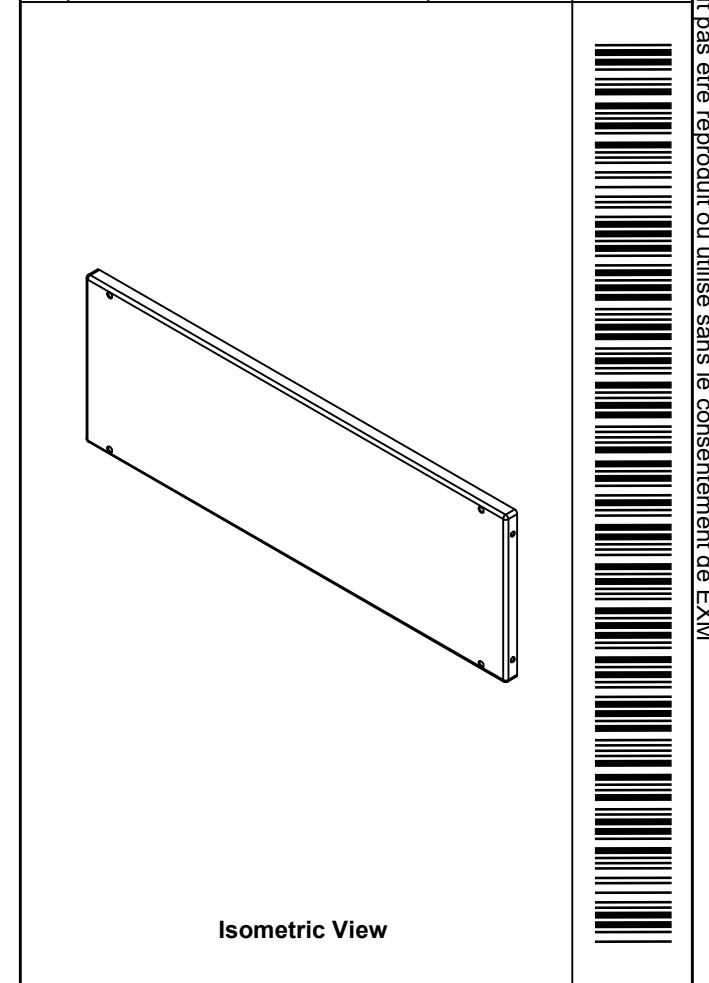


RIGHT


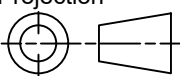


BOTTOM

No.	Revisions	Date	By/Par



Isometric View

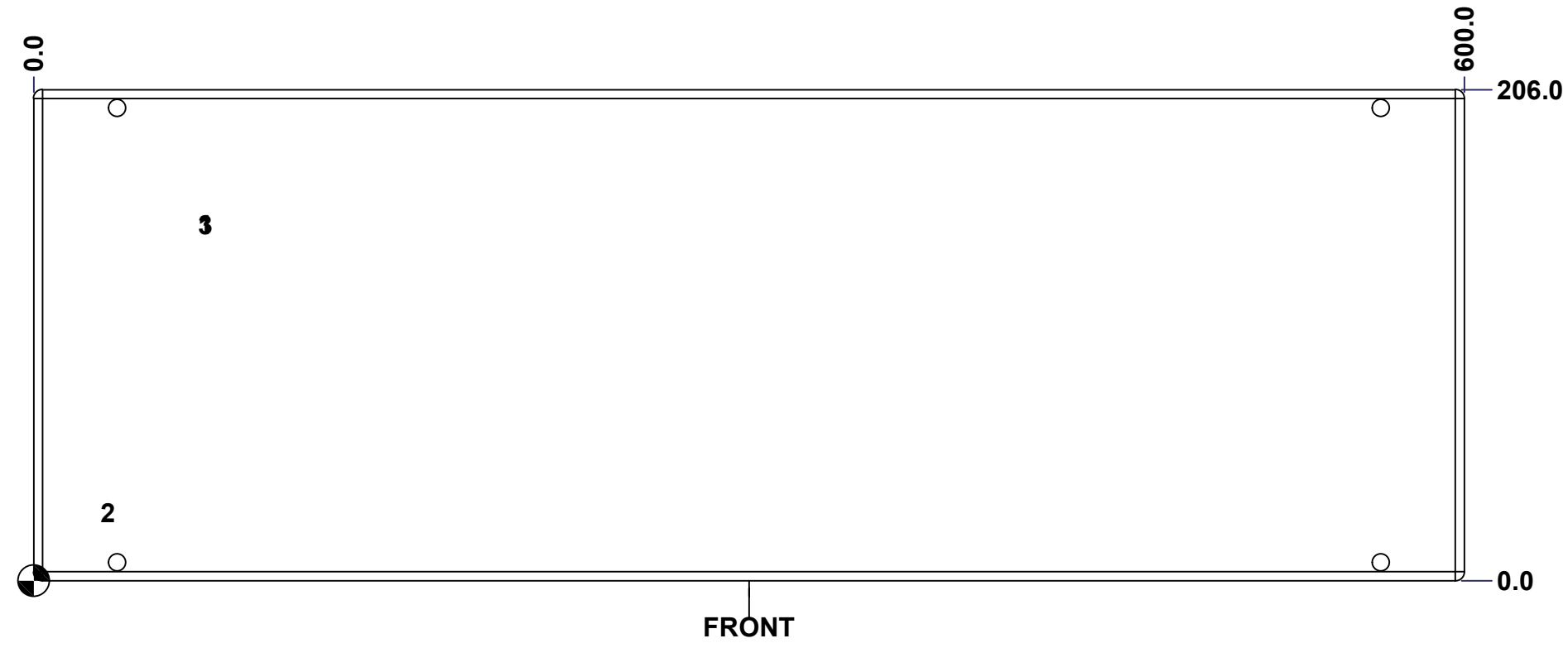
 Tél: (450) 979-4373 Fax: (450) 979-4626 www.exmweb.com		Flatness Aplatissement Max 3.0mm Projection 
Customer Client	Date	
Drawn By Dessiné Par	BoxCad: BoxCad	Date 20-Apr-16
Material Matière	16 Ga Cold Rolled A1008 CS Type B (1.4mm)	
Color Couleur	Light Grey RAL7035	Finish Fini Textured
Description 6412ESTB 200mm x 600mm Cover		Detail Rev.
Part Number Numéro Pièce	6412ESTB602008C	Rev. 7 0

SEE BILL OF MATERIAL ON LAST PAGE

This drawing is confidential and must not be reproduced or used without the consent of EXM

Ce dessin est confidentiel et ne doit pas être reproduit ou utilisé sans le consentement de EXM

STANDARD FEATURES ARE NOT LISTED IN THIS HOLE TABLE			
HOLE TABLE - FRONT VIEW (CUSTOM FEATURE ONLY)			
CUT-OUT	XDIM	YDIM	DESCRIPTION
1	69.9	149.2	LABEL_EXM
2	29.1	28.6	STANDOFF M6 x 10mm (Inside)
3	69.9	149.2	LABEL_EXM

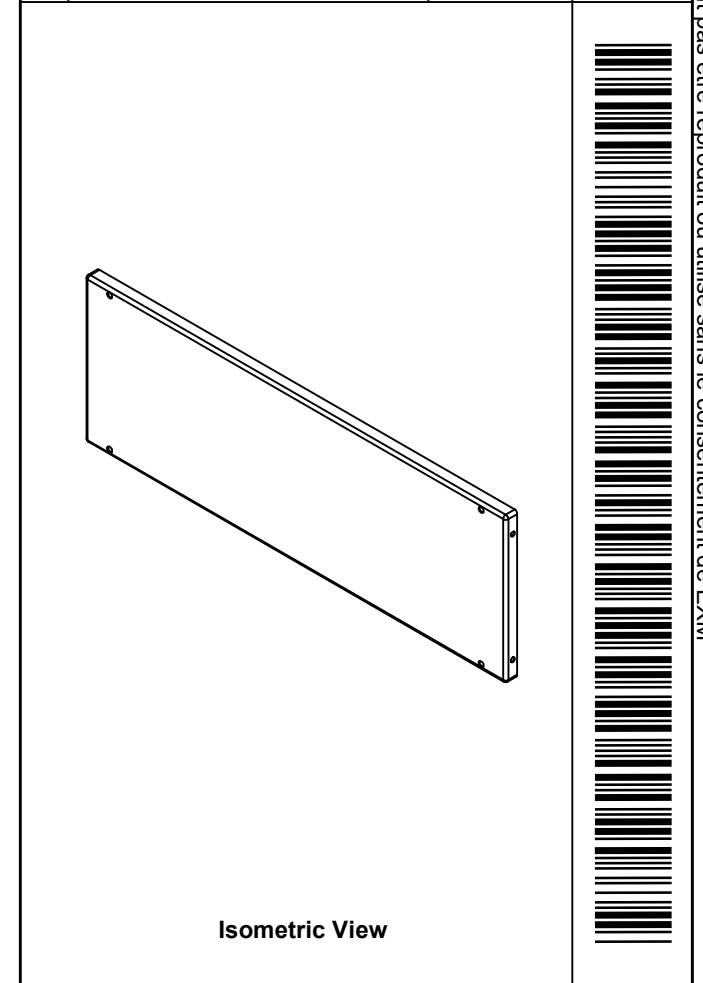


	Description	Status	
	6412ESTB 200mm x 600mm Cover	(NULL)	
	Part Number Numéro Pièce	Rev.	
	6412ESTB602008C	0	8 9

This drawing is confidential and must not be reproduced or used without the consent of EXM

Ce dessin est confidentiel et ne doit pas être reproduit ou utilisé sans le consentement de EXM

No.	Revisions	Date	By/Par



Tél: (450) 979-4373 Fax: (450) 979-4626 www.exmweb.com		Flatness Aplatissement
		Max 3.0mm
Customer Client		Date
Drawn By Dessiné Par BoxCad: BoxCad		Date 20-Apr-16
Material Matière 16 Ga Cold Rolled A1008 CS Type B (1.4mm)		
Color Couleur Light Grey RAL7035	Finish Fini Textured	
Description 6412ESTB 200mm x 600mm Cover		Detail Rev.
Part Number Numéro Pièce 6412ESTB602008C		Rev. 9 0

Qty	Part Number	Rev	Description
2	STK-S-00100	0	3.5" x 2" Silver Milar Flexcon Sticker
1	STK-P-03820R	0	Powder Paint (Light Grey / Rough Textured)
1	6412ESTB602008G	0	6412ESTB 200mm x 600mm Gasket
1	STK-Q-08350	5	Standoff M6 x 10mm
1	6412ESTB602008C-P	0	6412ESTB 200mm x 600mm Cover Part
Parts List			