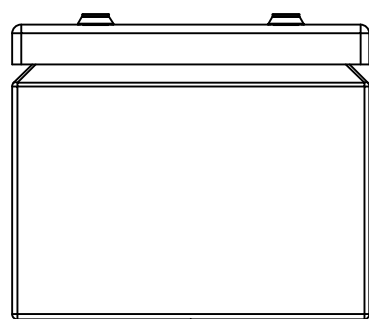
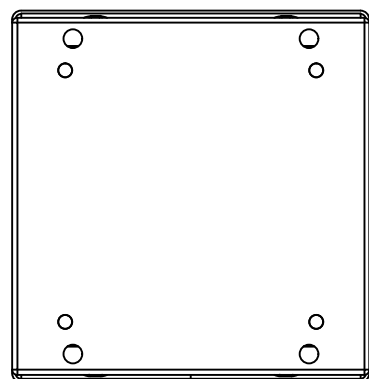


This drawing is confidential and must not be reproduced or used without the consent of EXM

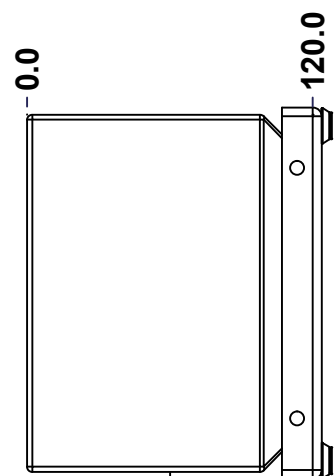
Ce dessin est confidentiel et ne doit pas être reproduit ou utilisé sans le consentement de EXM



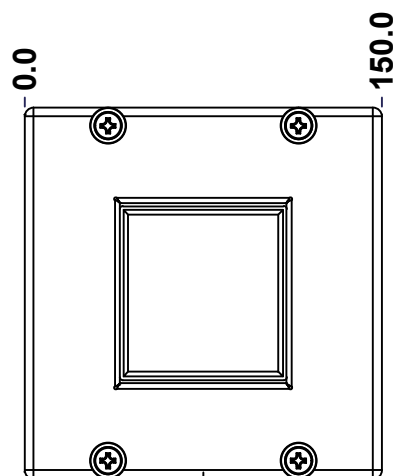
TOP



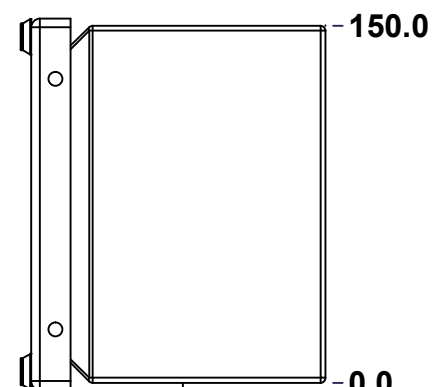
BACK



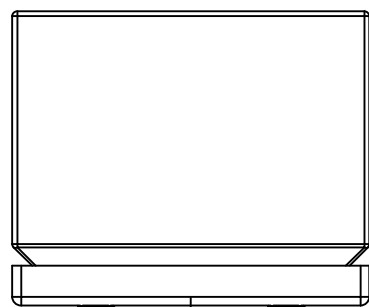
LEFT



FRONT

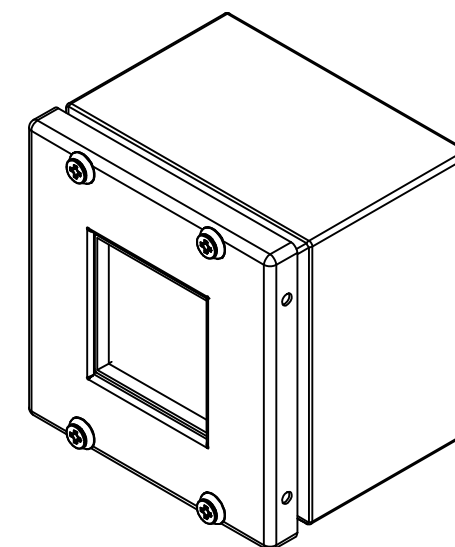


RIGHT



BOTTOM

| No. | Revisions | Date | By/Par |
|-----|-----------|------|--------|
|     |           |      |        |
|     |           |      |        |
|     |           |      |        |
|     |           |      |        |



Isometric View



Tél: (450) 979-4373  
 Fax: (450) 979-4626  
[www.exmweb.com](http://www.exmweb.com)

Flatness  
Aplatissement

Max 3.0mm

Projection



|   |                         |
|---|-------------------------|
| Customer<br>Client  | Date                    |
| Drawn By<br>Dessiné Par BoxCad: BoxCad                        | Date 19-Dec-24          |
| Material<br>Matière 16 Ga Cold Rolled A1008 CS Type B (1.4mm) |                         |
| Color<br>Couleur Light Grey RAL7035                           | Finish<br>Fini Textured |
| Description<br>6412ESWTB 150mm x 150mm x 120mm<br>Assembly    | Detail Rev.             |
| Part Number<br>Numéro Pièce <b>6412ESWTB151512</b>            | Rev. 1<br><b>0</b> / 10 |

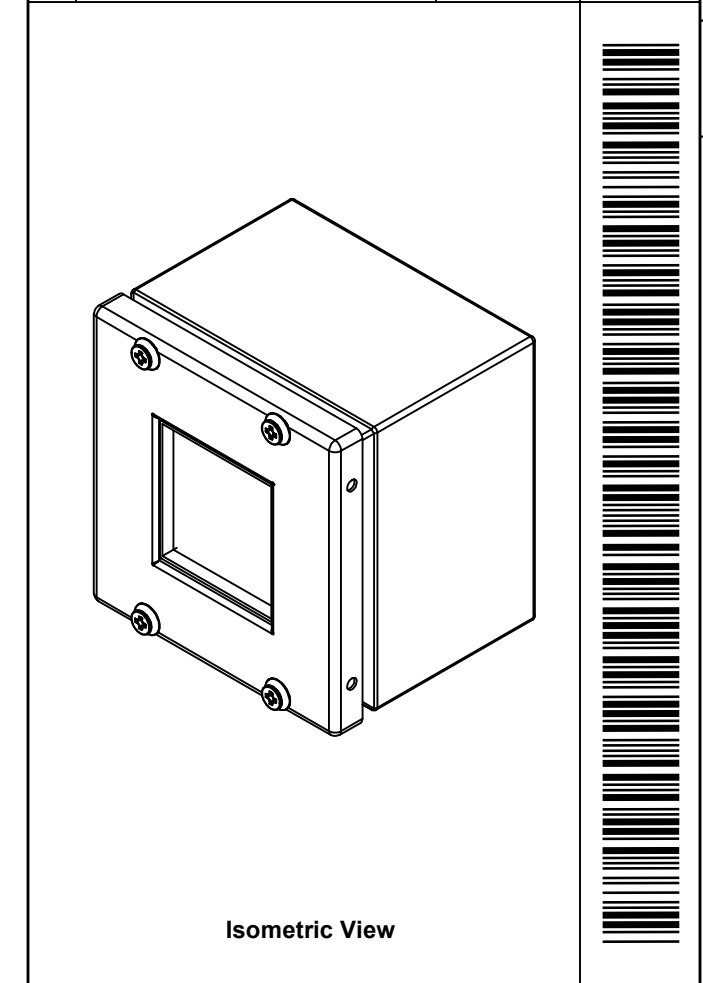
SEE BILL OF MATERIAL ON LAST PAGE


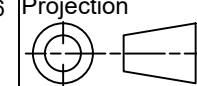
This drawing is confidential and must not be reproduced or used without the consent of EXM

Ce dessin est confidentiel et ne doit pas être reproduit ou utilisé sans le consentement de EXM

| NOTE |  |
|------|--|
| ITEM | DESCRIPTION                                    |
| 1    | NEMA 4, 12 Enclosure (IP66)                    |
| 2    | C/W Standard ground standoffs on box and cover |
| 3    | W/O Standard door stiffener                    |
| 4    | W/O Inner panel                                |
| 5    | C/W Standard inner panel mounting standoffs    |

| No. | Revisions | Date | By/Par |
|-----|-----------|------|--------|
|     |           |      |        |
|     |           |      |        |
|     |           |      |        |
|     |           |      |        |
|     |           |      |        |
|     |           |      |        |



|  |   |
|--|---|
|  Tél: (450) 979-4373<br>Fax: (450) 979-4626<br><a href="http://www.exmweb.com">www.exmweb.com</a> | Flatness<br>Aplatissement<br>Max 3.0mm  |
|  | Projection<br> |
| Customer Client  | Date  |
| Drawn By<br>Dessiné Par BoxCad: BoxCad   | Date 19-Dec-24  |
| Material<br>Matière 16 Ga Cold Rolled A1008 CS Type B (1.4mm)  |   |

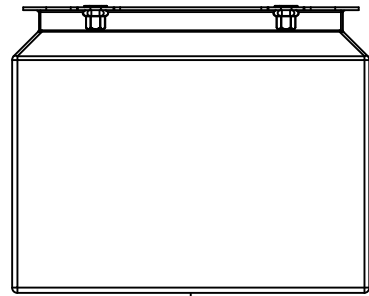
| PACKING          |     |  |
|------------------|-----|--|
| ITEM             | QTY | DESCRIPTION                                |
| Cardboard sleeve | 2   | Top and Bottom                             |
| Cardboard strip  | 2   | Between back of enclosure and inner panel  |
| Plastic bag      | 1   | To protect cover surface and inside gasket |
| Packaging label  | 1   | White label with product number            |

| Qty        | Part Number         | Rev | Description                          |
|------------|---------------------|-----|--------------------------------------|
| 1          | 6412ESWTB151512C    | 0   | 6412ESWTB 150mm x 150mm Cover        |
| 1          | STK-K-02920         | 3   | 5412 ESSC Accessory Kit              |
| 2          | 6412ESWTB151512BR-P | 0   | 6412ESWTB 150mm Bracket Part         |
| 8          | STK-Q-07210         | 0   | Flange Lock Nut M6                   |
| 1          | 6412ESWTB151512B    | 0   | 6412ESWTB 150mm x 150mm x 120mm Body |
| Parts List |                     |     |                                      |

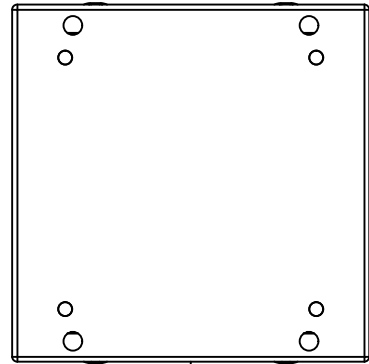
|   |  |
|---|--|
| Color<br>Couleur Light Grey RAL7035                     | Finish<br>Fini Textured                |
| Description<br>6412ESWTB 150mm x 150mm x 120mm Assembly |  |
| Part Number<br>Numéro Pièce <b>6412ESWTB151512</b>      | Detail Rev.<br>Rev. 2<br><b>0</b> / 10 |

This drawing is confidential and must not be reproduced or used without the consent of EXM

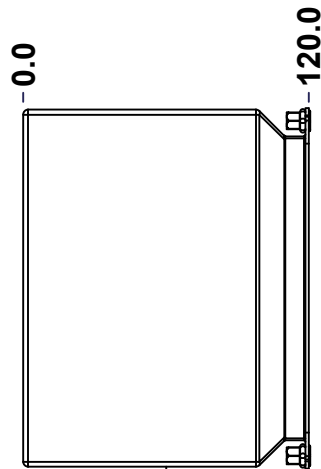
Ce dessin est confidentiel et ne doit pas être reproduit ou utilisé sans le consentement de EXM



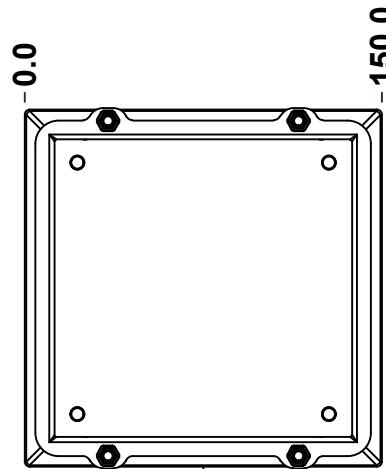
TOP



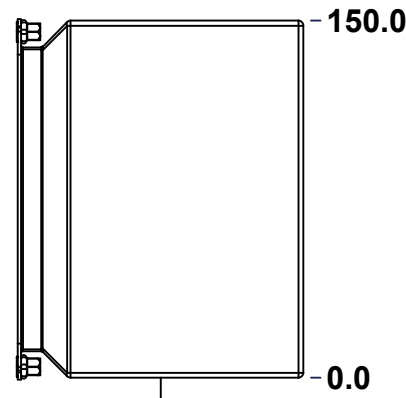
BACK



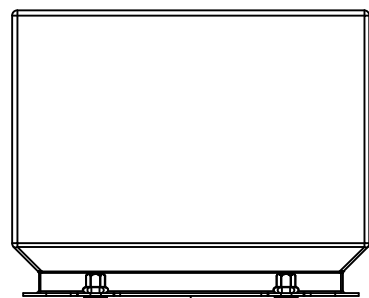
LEFT



FRONT

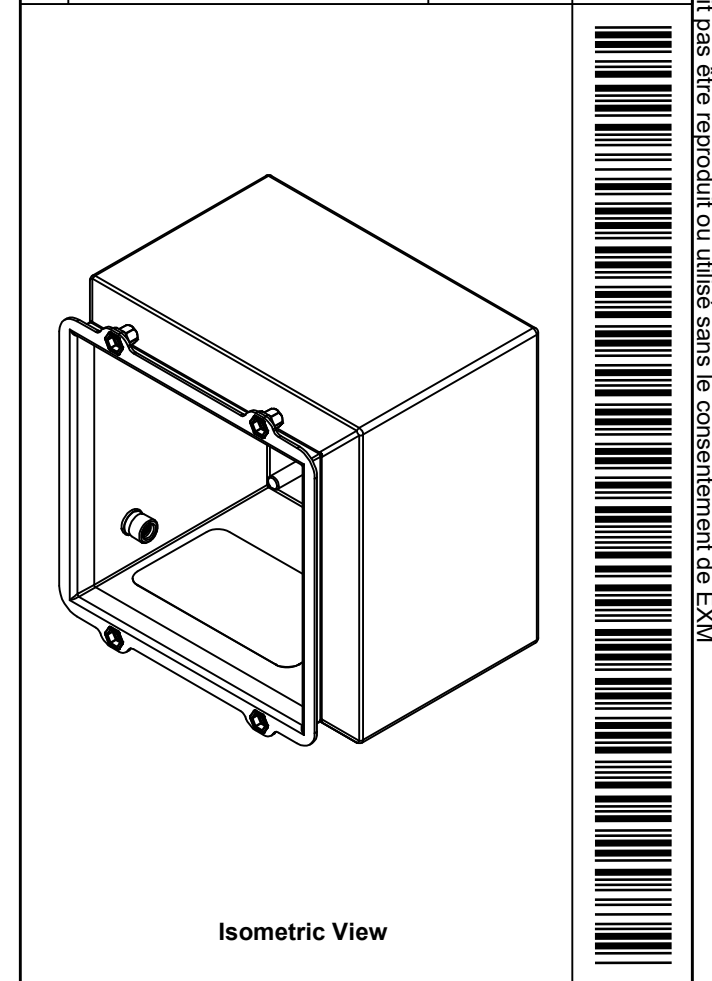


RIGHT


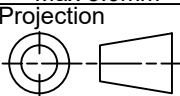


BOTTOM

| No. | Revisions | Date | By/Par |
|-----|-----------|------|--------|
|     |           |      |        |
|     |           |      |        |
|     |           |      |        |
|     |           |      |        |



Isometric View

|  |   |   |
|--|---|---|
|  Tél: (450) 979-4373<br>Fax: (450) 979-4626<br><a href="http://www.exmweb.com">www.exmweb.com</a> |   | Flatness<br>Aplatissement<br>Max 3.0mm<br>Projection<br> |
| Customer Client  | Date                                      |   |
| Drawn By<br>Dessiné Par  | BoxCad: BoxCad                            | Date 19-Dec-24  |
| Material<br>Matière  | 16 Ga Cold Rolled A1008 CS Type B (1.4mm) |   |
| Color<br>Couleur   | Light Grey RAL7035                        | Finish<br>Fini Textured   |
| Description  | Detail Rev.                               |   |
| 6412ESWTB 150mm x 150mm x 120mm<br>Body  |   |   |
| Part Number<br>Numéro Pièce  | Rev.                                      | 3   |
| <b>6412ESWTB151512B</b>  | <b>0</b>                                  | 10  |

SEE BILL OF MATERIAL ON LAST PAGE

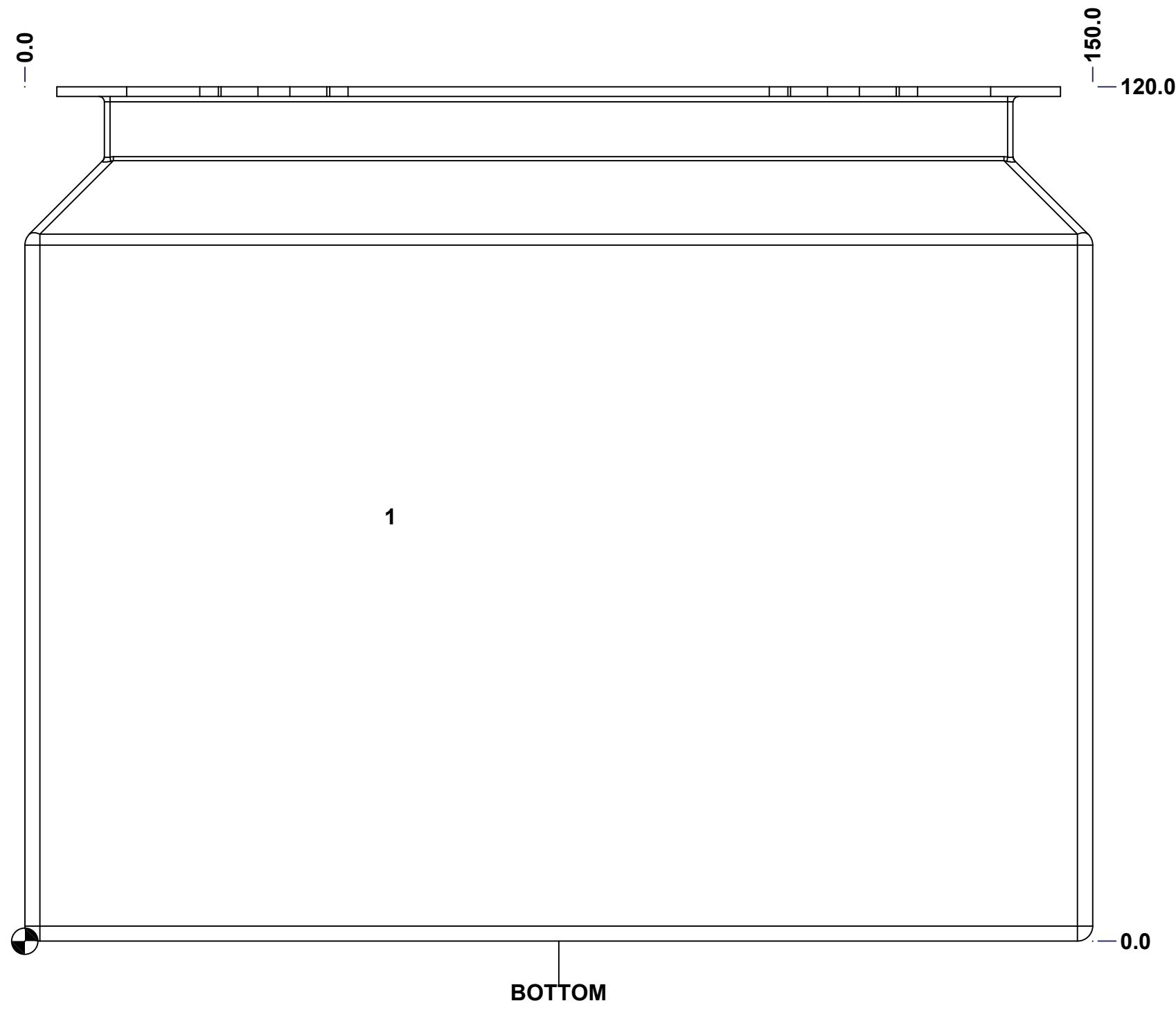
This drawing is confidential and must not be reproduced or used without the consent of EXM

Ce dessin est confidentiel et ne doit pas être reproduit ou utilisé sans le consentement de EXM

**STANDARD FEATURES ARE NOT LISTED IN THIS HOLE TABLE**

**HOLE TABLE - BOTTOM VIEW (CUSTOM FEATURE ONLY)**

| CUT-OUT | XDIM | YDIM | DESCRIPTION |
|---------|------|------|-------------|
| 1       | 50.8 | 59.7 | LABEL_EXM   |

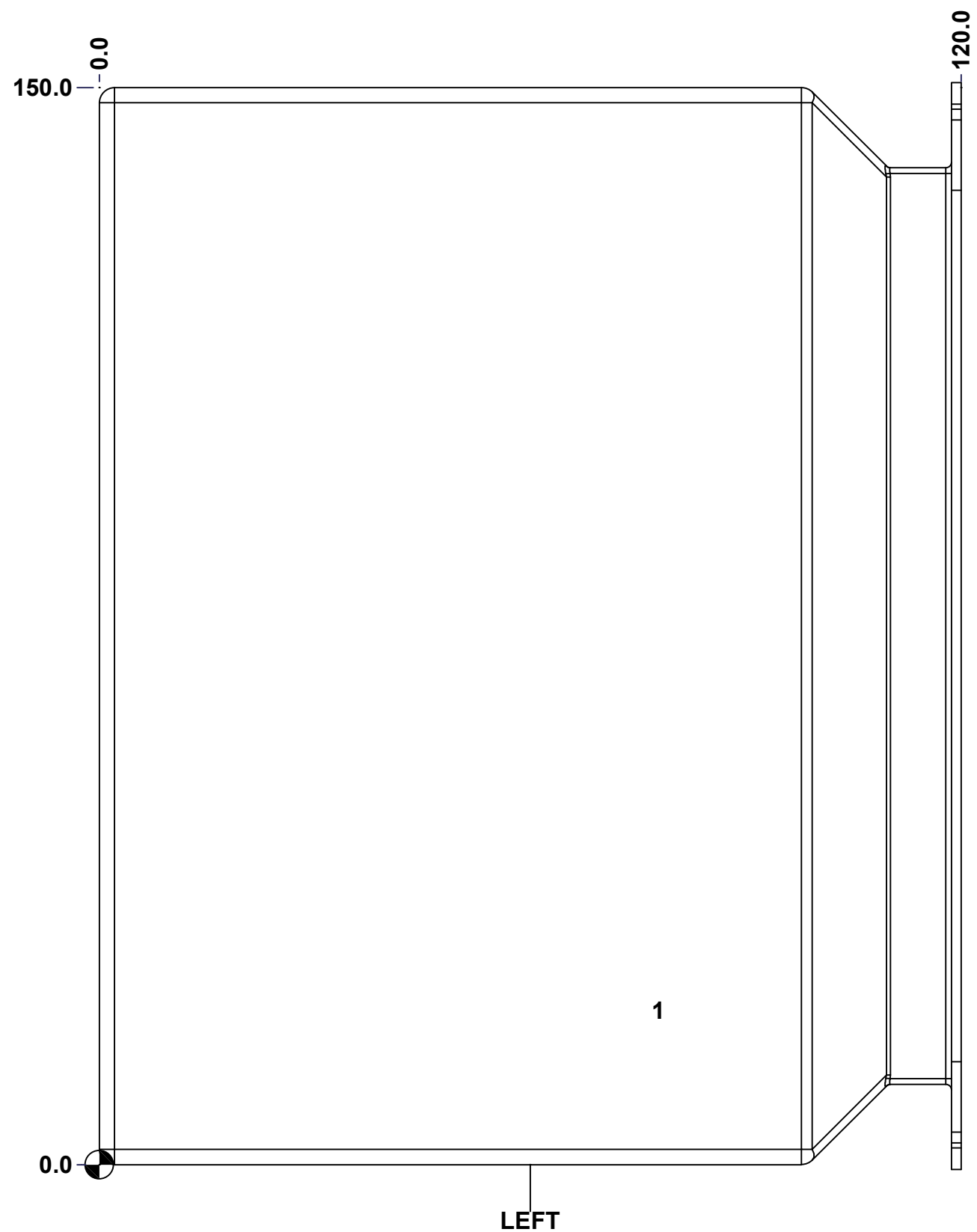


|  |  |  |                    |
|--|--|--|--------------------|
|  | Description<br>6412ESWTB 150mm x 150mm x 112.1mm<br>Body |  | Status<br>(NULL)   |
|  | Part Number<br>Numéro Pièce<br><b>6412ESWTB151512B</b>   |  | Rev. 4<br><b>0</b> |

This drawing is confidential and must not be reproduced or used without the consent of EXM

Ce dessin est confidentiel et ne doit pas être reproduit ou utilisé sans le consentement de EXM

| <b>STANDARD FEATURES ARE NOT LISTED IN THIS HOLE TABLE</b> |      |      |                             |
|--|------|------|-----------------------------|
| <b>HOLE TABLE - LEFT VIEW (CUSTOM FEATURE ONLY)</b>        |      |      |                             |
| CUT-OUT  | XDIM | YDIM | DESCRIPTION                 |
| 1  | 77.2 | 22.2 | STANDOFF M6 x 10mm (Inside) |



|  |  |  |                         |
|--|--|--|-------------------------|
|  | Description<br>6412ESWTB 150mm x 150mm x 112.1mm<br>Body |  | Status<br>(NULL)        |
|  | Part Number<br>Numéro Pièce<br><b>6412ESWTB151512B</b>   |  | Rev. 5<br><b>0</b> / 10 |

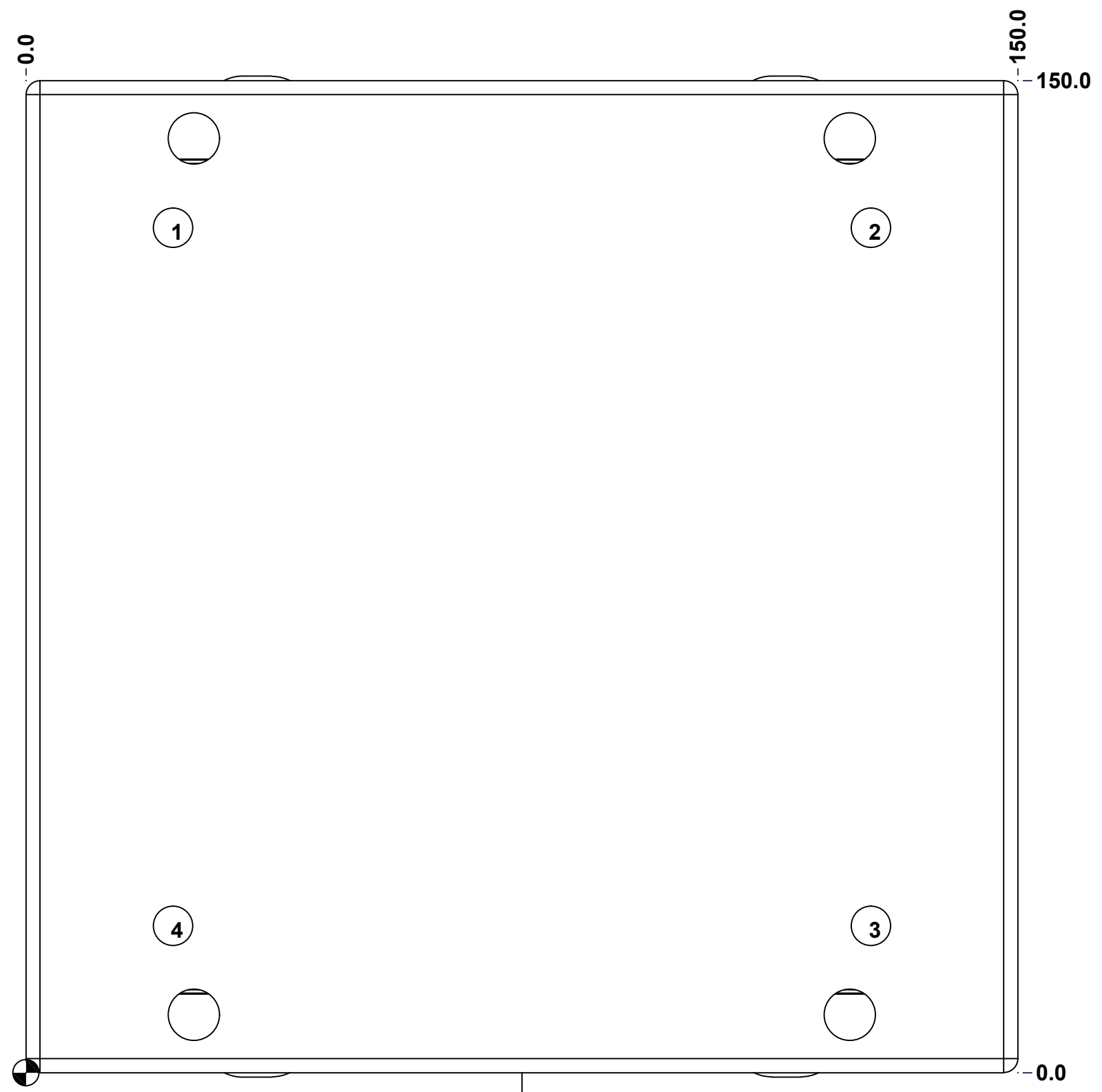
This drawing is confidential and must not be reproduced or used without the consent of EXM

Ce dessin est confidentiel et ne doit pas être reproduit ou utilisé sans le consentement de EXM

**STANDARD FEATURES ARE NOT LISTED IN THIS HOLE TABLE**

**HOLE TABLE - BACK VIEW (CUSTOM FEATURE ONLY)**

| CUT-OUT | XDIM  | YDIM  | DESCRIPTION             |
|---------|-------|-------|-------------------------|
| 1       | 22.2  | 127.8 | PEM FH-M6-20ZI (Inside) |
| 2       | 127.8 | 127.8 | PEM FH-M6-20ZI (Inside) |
| 3       | 127.8 | 22.2  | PEM FH-M6-20ZI (Inside) |
| 4       | 22.2  | 22.2  | PEM FH-M6-20ZI (Inside) |



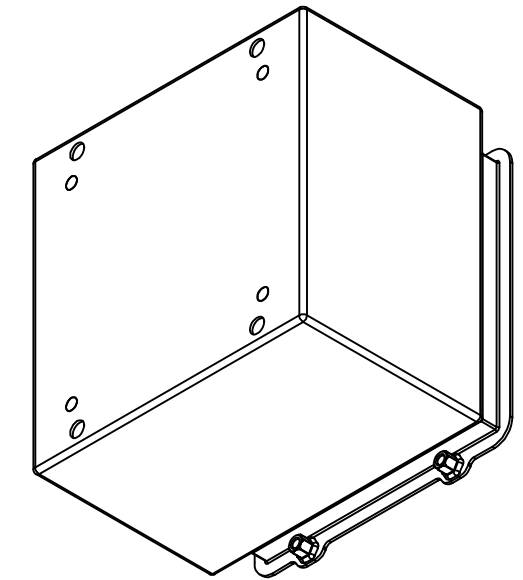
BACK

|  |  |  |                    |
|--|--|--|--------------------|
|  | Description<br>6412ESWTB 150mm x 150mm x 112.1mm<br>Body |  | Status<br>(NULL)   |
|  | Part Number<br>Numéro Pièce<br><b>6412ESWTB151512B</b>   |  | Rev. 6<br><b>0</b> |

This drawing is confidential and must not be reproduced or used without the consent of EXM

Ce dessin est confidentiel et ne doit pas être reproduit ou utilisé sans le consentement de EXM

| No. | Revisions | Date | By/Par |
|-----|-----------|------|--------|
|     |           |      |        |
|     |           |      |        |
|     |           |      |        |
|     |           |      |        |
|     |           |      |        |



Isometric View



|  |   |
|--|---|
|  Tél: (450) 979-4373<br>Fax: (450) 979-4626<br><a href="http://www.exmweb.com">www.exmweb.com</a> | Flatness<br>Aplatissement   |
|  | Max 3.0mm   |
|  | Projection  |
|  |  |

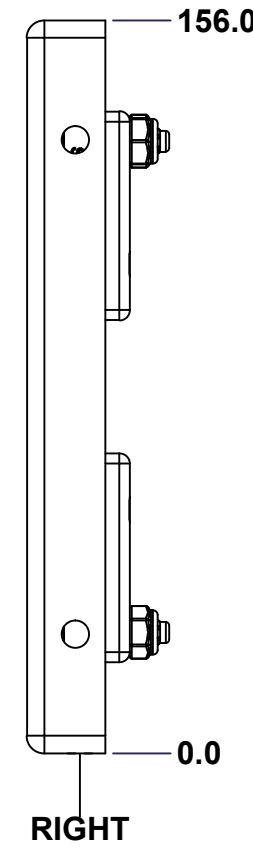
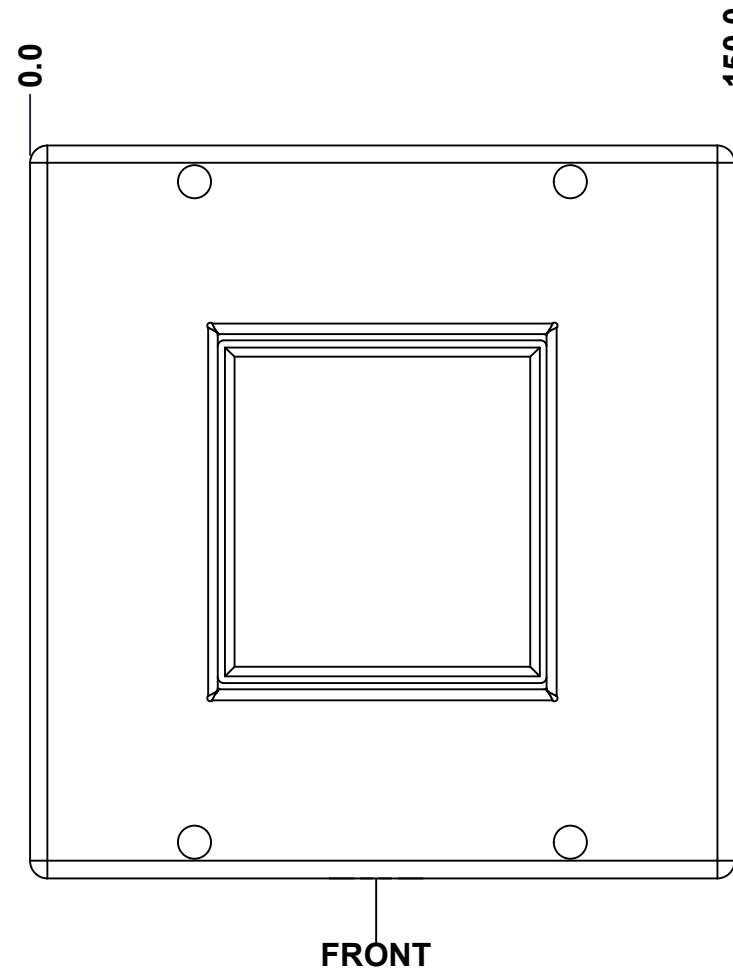
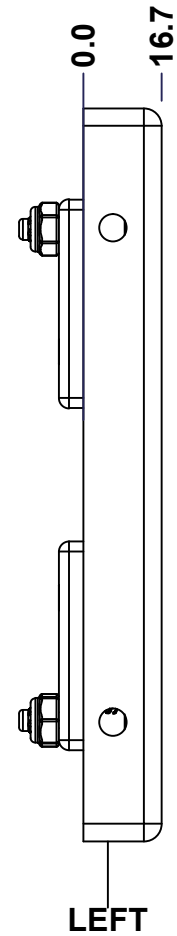
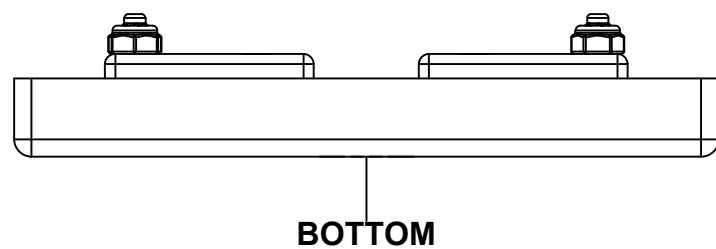
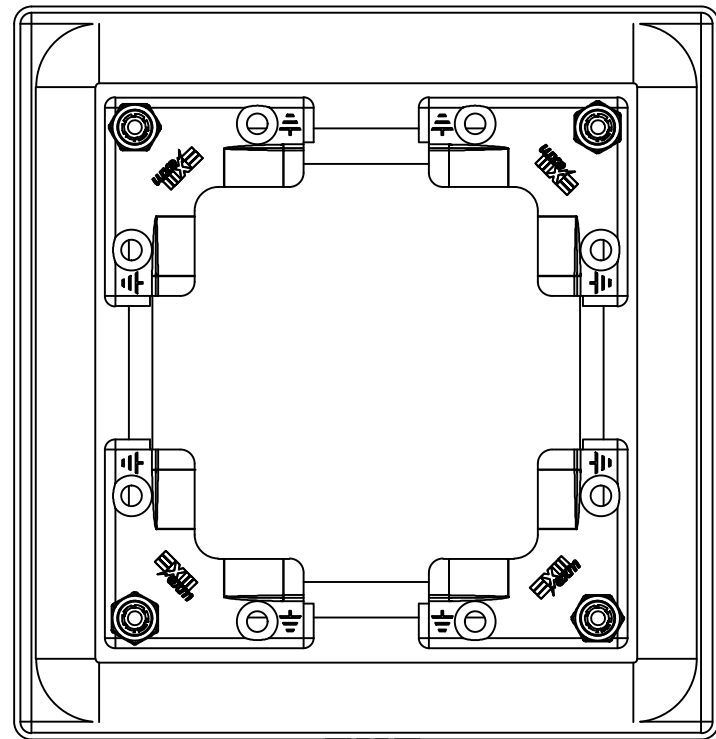
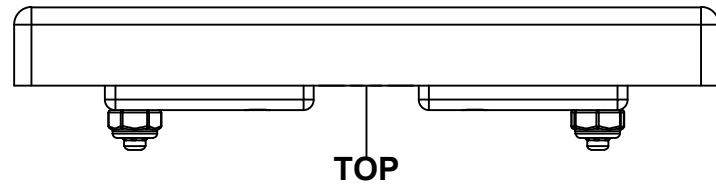
|   |                 |
|---|-----------------|
| Customer Client   | Date            |
| Drawn By / Dessiné Par: BoxCad: BoxCad                        | Date: 19-Dec-24 |
| Material / Matière: 16 Ga Cold Rolled A1008 CS Type B (1.4mm) |                 |

|   |                         |
|---|-------------------------|
| Color / Couleur: Light Grey RAL7035                 | Finish / Fini: Textured |
| Description: 6412ESWTB 150mm x 150mm x 120mm Body   |                         |
| Part Number / Numéro Pièce: <b>6412ESWTB151512B</b> | Detail Rev. / Rev. 7    |
|   | 0 / 10                  |

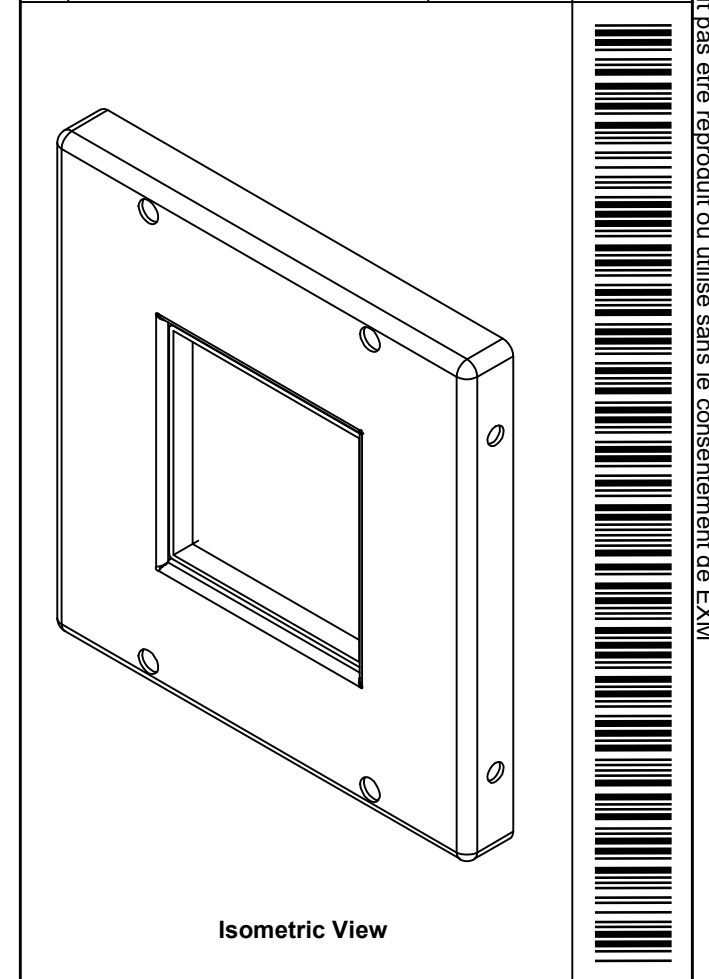
| Qty        | Part Number        | Rev | Description                                 |
|------------|--------------------|-----|---|
| 4          | STK-PEM-FH-M6-20ZI | 0   | PEM Self-Clinching Stud M6 x 20.0mm         |
| 1          | STK-S-00100        | 0   | 3.5" x 2" Silver Milar Flexcon Sticker      |
| 1          | STK-P-03820R       | 0   | Powder Paint (Light Grey / Rough Textured)  |
| 1          | 6412ESWTB151512B-P | 0   | 6412ESWTB 150mm x 150mm x 112.1mm Body Part |
| 1          | STK-Q-08350        | 5   | Standoff M6 x 10mm                          |
| 4          | RIVET_NUT_M5_FH_OE | 0   | Rivet Nut M5 (Low Profile Open End)         |
| Parts List |                    |     |   |


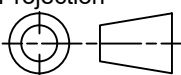
This drawing is confidential and must not be reproduced or used without the consent of EXM

Ce dessin est confidentiel et ne doit pas être reproduit ou utilisé sans le consentement de EXM



| No. | Revisions | Date | By/Par |
|-----|-----------|------|--------|
|     |           |      |        |
|     |           |      |        |
|     |           |      |        |
|     |           |      |        |



|  |   |
|--|---|
|  Tél: (450) 979-4373<br>Fax: (450) 979-4626<br><a href="http://www.exmweb.com">www.exmweb.com</a> | Flatness<br>Aplatissement<br>Max 3.0mm  |
|  | Projection<br> |
| Customer Client  | Date  |
| Drawn By<br>Dessiné Par BoxCad: BoxCad   | Date 19-Dec-24  |
| Material<br>Matière 16 Ga Cold Rolled A1008 CS Type B (1.4mm)  |   |
| Color<br>Couleur Light Grey RAL7035  | Finish<br>Fini Textured   |
| Description<br>6412ESWTB 150mm x 150mm Cover   |   |
| Part Number<br>Numéro Pièce <b>6412ESWTB151512C</b>  | Detail Rev.<br>Rev. 8<br>0  |

**SEE BILL OF MATERIAL ON LAST PAGE**

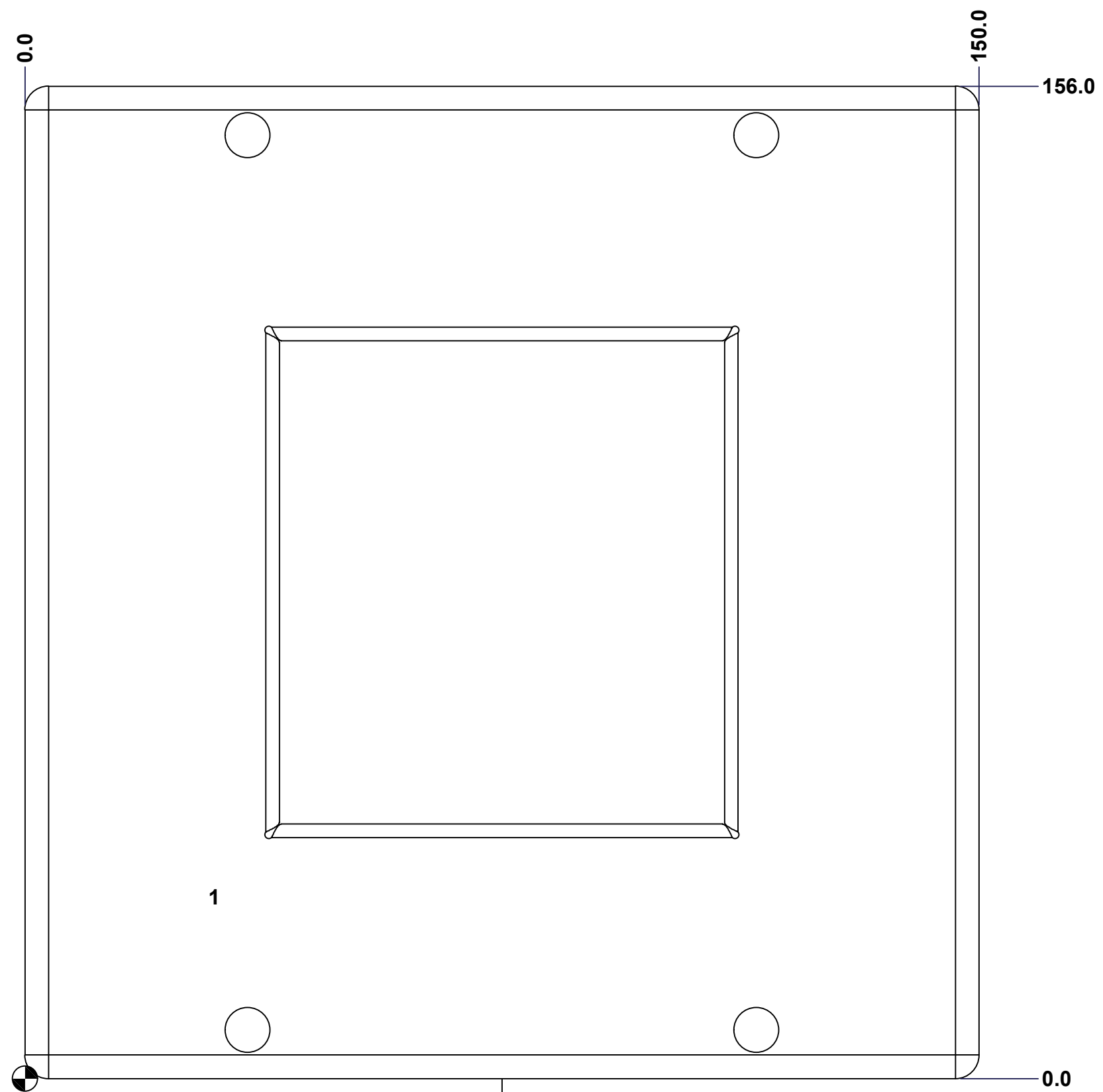
This drawing is confidential and must not be reproduced or used without the consent of EXM

Ce dessin est confidentiel et ne doit pas être reproduit ou utilisé sans le consentement de EXM

**STANDARD FEATURES ARE NOT LISTED IN THIS HOLE TABLE**

**HOLE TABLE - FRONT VIEW (CUSTOM FEATURE ONLY)**

| CUT-OUT | XDIM | YDIM | DESCRIPTION                 |
|---------|------|------|-----------------------------|
| 1       | 29.1 | 28.6 | STANDOFF M6 x 10mm (Inside) |



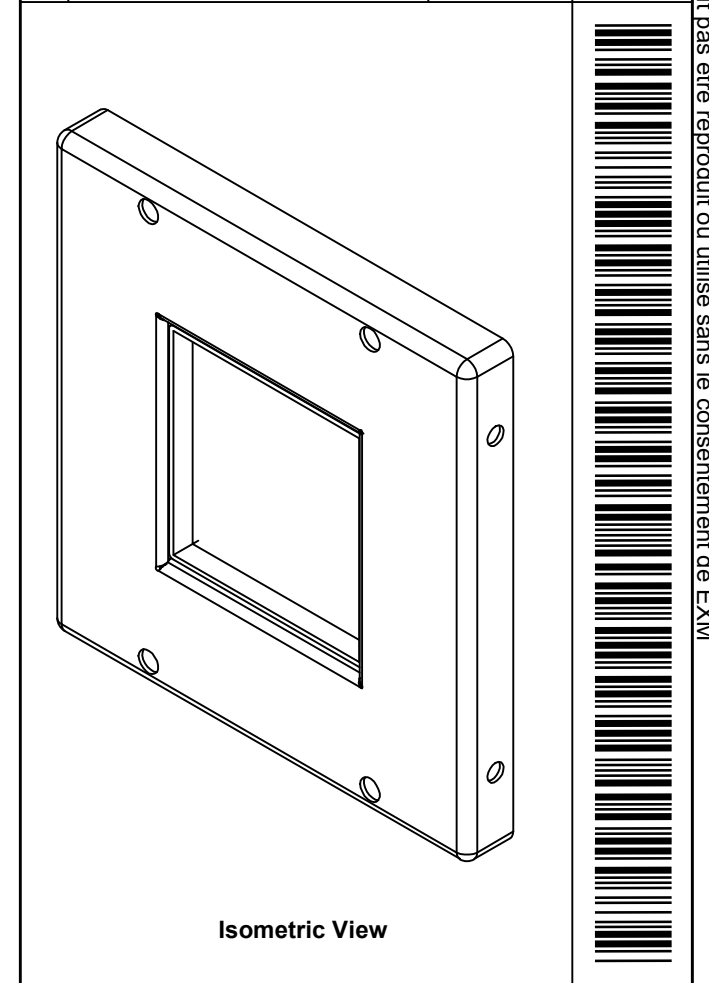
FRONT

|                             |                               |          |        |
|-----------------------------|-------------------------------|----------|--------|
|                             | Description                   |          | Status |
|                             | 6412ESWTB 150mm x 150mm Cover |          | (NULL) |
| Part Number<br>Numéro Pièce |                               | Rev.     | 9      |
| <b>6412ESWTB151512C</b>     |                               | <b>0</b> | 10     |

This drawing is confidential and must not be reproduced or used without the consent of EXM

Ce dessin est confidentiel et ne doit pas être reproduit ou utilisé sans le consentement de EXM

| No. | Revisions | Date | By/Par |
|-----|-----------|------|--------|
|     |           |      |        |
|     |           |      |        |
|     |           |      |        |
|     |           |      |        |
|     |           |      |        |




 Tél: (450) 979-4373  
 Fax: (450) 979-4626  
[www.exmweb.com](http://www.exmweb.com)

**Flatness**  
 Aplatissement  
 Max 3.0mm  
**Projection**  


|   |                         |
|---|-------------------------|
| Customer Client   | Date                    |
| Drawn By<br>Dessiné Par BoxCad: BoxCad                        | Date 19-Dec-24          |
| Material<br>Matière 16 Ga Cold Rolled A1008 CS Type B (1.4mm) |                         |
| Color<br>Couleur Light Grey RAL7035                           | Finish<br>Fini Textured |

|                               |             |
|-------------------------------|-------------|
| Description                   | Detail Rev. |
| 6412ESWTB 150mm x 150mm Cover |             |
| Part Number<br>Numéro Pièce   | Rev. 10     |
| <b>6412ESWTB151512C</b>       | <b>0</b>    |

| Qty        | Part Number        | Rev | Description                                |
|------------|--------------------|-----|--|
| 1          | STK-Q-08350        | 5   | Standoff M6 x 10mm                         |
| 1          | STK-P-03820R       | 0   | Powder Paint (Light Grey / Rough Textured) |
| 1          | 6412ESWTB151512LXG | 0   | 6412ESWTB 150mm x 150mm Lexan Gasket       |
| 1          | STK-G-02705        | 0   | 880 HWKG - Windows Kit Gasket              |
| 1          | 6412ESWTB151512G   | 0   | 6412ESWTB 150mm x 150mm Gasket             |
| 1          | STK-A-60703        | 0   | 5412 ESW Lexan Bracket Kit                 |
| 4          | STK-Q-16052        | 0   | M6 x 23mm Stud (No Paint Cap Required)     |
| 1          | 6412ESWTB151512LX  | 0   | 6412ESWTB Lexan 89mm x 91.1mm 6mm          |
| 1          | 6412ESWTB151512C-P | 0   | 6412ESWTB 150mm x 150mm Cover Part         |
| Parts List |                    |     |  |