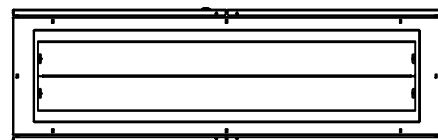
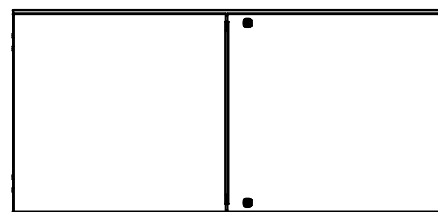


This drawing is confidential and must not be reproduced or used without the consent of EXM

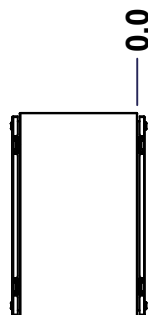
Ce dessin est confidentiel et ne doit pas être reproduit ou utilisé sans le consentement de EXM



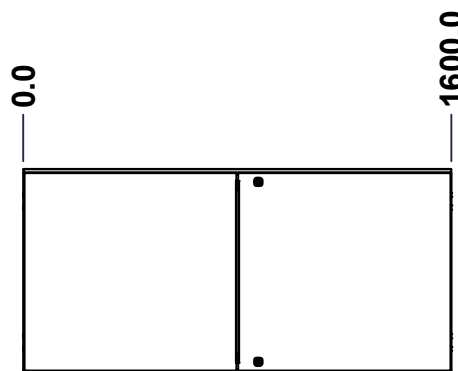
TOP



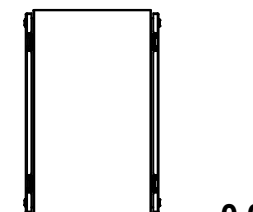
BACK



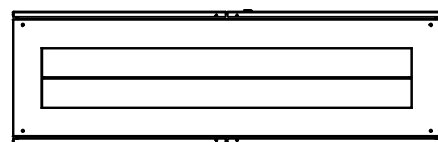
LEFT



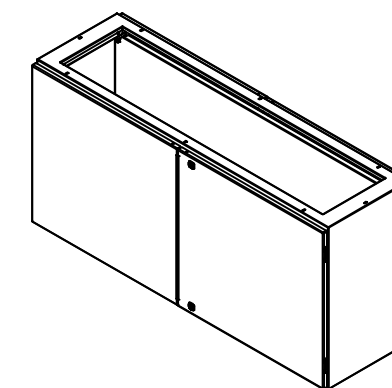
FRONT



RIGHT




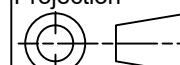
BOTTOM



Isometric View



No.	Revisions	Date	By/Par

 Tél: (450) 979-4373 Fax: (450) 979-4626 www.exmweb.com		Flatness Aplatissement Max 3.0mm Projection 
Customer Client	Date	
Drawn By Dessiné Par	BoxCad: BoxCad	Date 06-Oct-14
Material Matière	14 Ga Cold Rolled A1008 CS Type B (1.7mm)	
Color Couleur	Light Grey RAL7035	Finish Fini Rough Textured
Description 6500MCODD 770mm x 1600mm x 500mm Assembly		Detail Rev.
Part Number Numéro Pièce	Rev. 0	1 22

SEE BILL OF MATERIAL ON LAST PAGE

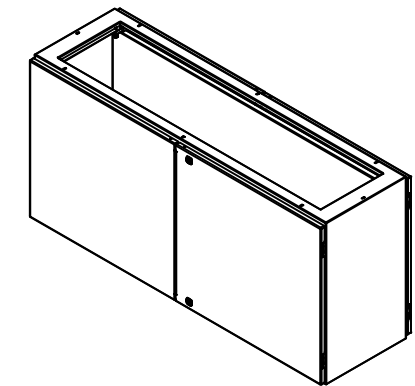
6500MCODD1605

This drawing is confidential and must not be reproduced or used without the consent of EXM

Ce dessin est confidentiel et ne doit pas être reproduit ou utilisé sans le consentement de EXM

NOTE	
ITEM	DESCRIPTION
1	NEMA 12, 13 Enclosure (IP55)
2	C/W Standard ground studs on box and cover
3	C/W Standard door stiffener
4	C/W Special inner panel (Sold separately)
5	C/W Standard inner panel mounting studs

No.	Revisions	Date	By/Par



Isometric View

	Tél: (450) 979-4373 Fax: (450) 979-4626 www.exmweb.com	Flatness
		Aplatissement
		Max 3.0mm
		Projection
		

Customer Client	Date
Drawn By / Dessiné Par: BoxCad: BoxCad	Date: 06-Oct-14

Material / Matière: 14 Ga Cold Rolled A1008 CS Type B (1.7mm)

Color / Couleur: Light Grey RAL7035	Finish / Fini: Rough Textured
-------------------------------------	-------------------------------

Description: 6500MCODD 770mm x 1600mm x 500mm Assembly

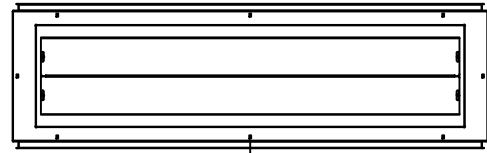
Part Number / Numéro Pièce: 6500MCODD1605	Rev. / Rév.: 0	2
		22

PACKING		
ITEM	QTY	DESCRIPTION
Cardboard corner	2	To reinforced for the plastic strap tightening
Honeycomb angle	4	To protect each corners
Plastic strap- Green	2	To secure the enclosure to the wood pallet
Wood pallet	1	Standard wood pallet
Flat cardboard	1	Between the enclosure and the wood pallet
Packaging label	1	White label with product number

Qty	Part Number	Rev	Description
4	STK-Q-00700	2	M8 x 12mm Hex Socket Cap Screw (DIN 6912)
1	6500MCODD1605IP	0	6500MCODD 770mm x 1600mm Inner Panel Part
1	6500MCODD1605BR	0	6500MCODD 770mm x 1600mm Back Lock Door
1	6500MCODD1605BL	0	6500MCODD 770mm x 1600mm Back Flange Door
1	6500MCODD1605FR	0	6500MCODD 770mm x 1600mm Front Lock Door
1	6500MCODD1605FL	0	6500MCODD 770mm x 1600mm Front Flange Door
1	6500MCODD1605B	0	6500MCODD 770mm x 1600mm x 500mm Body
8	STK-Q-04050-07	7	M6 x 7mm Hexagon Socket Head Machine Screw with Nyseal
Parts List			

This drawing is confidential and must not be reproduced or used without the consent of EXM

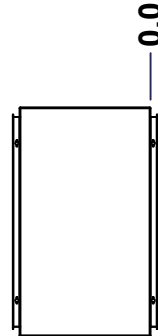
Ce dessin est confidentiel et ne doit pas être reproduit ou utilisé sans le consentement de EXM



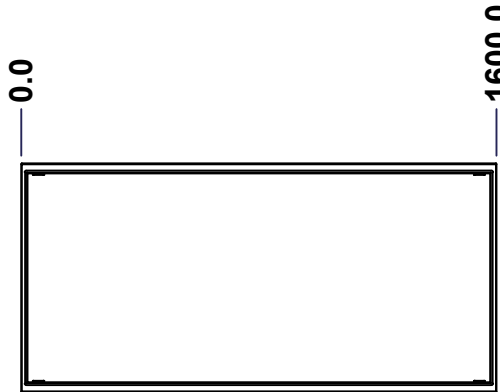
TOP



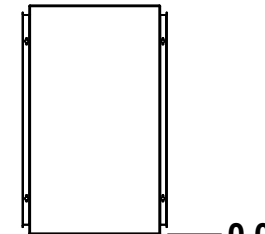
BACK



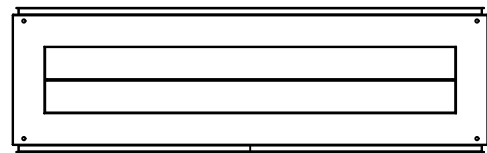
LEFT



FRONT

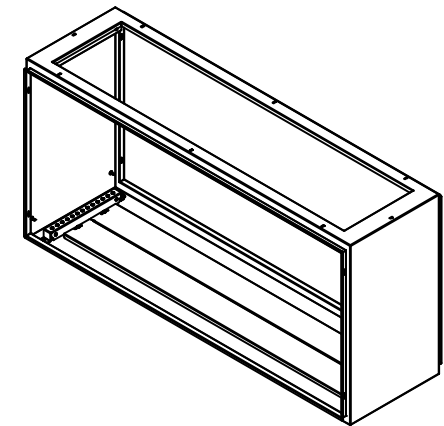


RIGHT




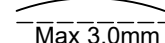
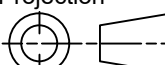
BOTTOM

No.	Revisions	Date	By/Par



Isometric View



 Tél: (450) 979-4373 Fax: (450) 979-4626 www.exmweb.com	Flatness Aplatissement  Max 3.0mm
	Projection 
Customer Client	Date
Drawn By Dessiné Par BoxCad: BoxCad	Date 06-Oct-14
Material Matière 14 Ga Cold Rolled A1008 CS Type B (1.7mm)	
Color Couleur Light Grey RAL7035	Finish Fini Rough Textured
Description 6500MCOOD 770mm x 1600mm x 500mm Body	Detail Rev.
Part Number Numéro Pièce 6500MCOOD1605B	Rev. 0
	3 / 22

SEE BILL OF MATERIAL ON LAST PAGE

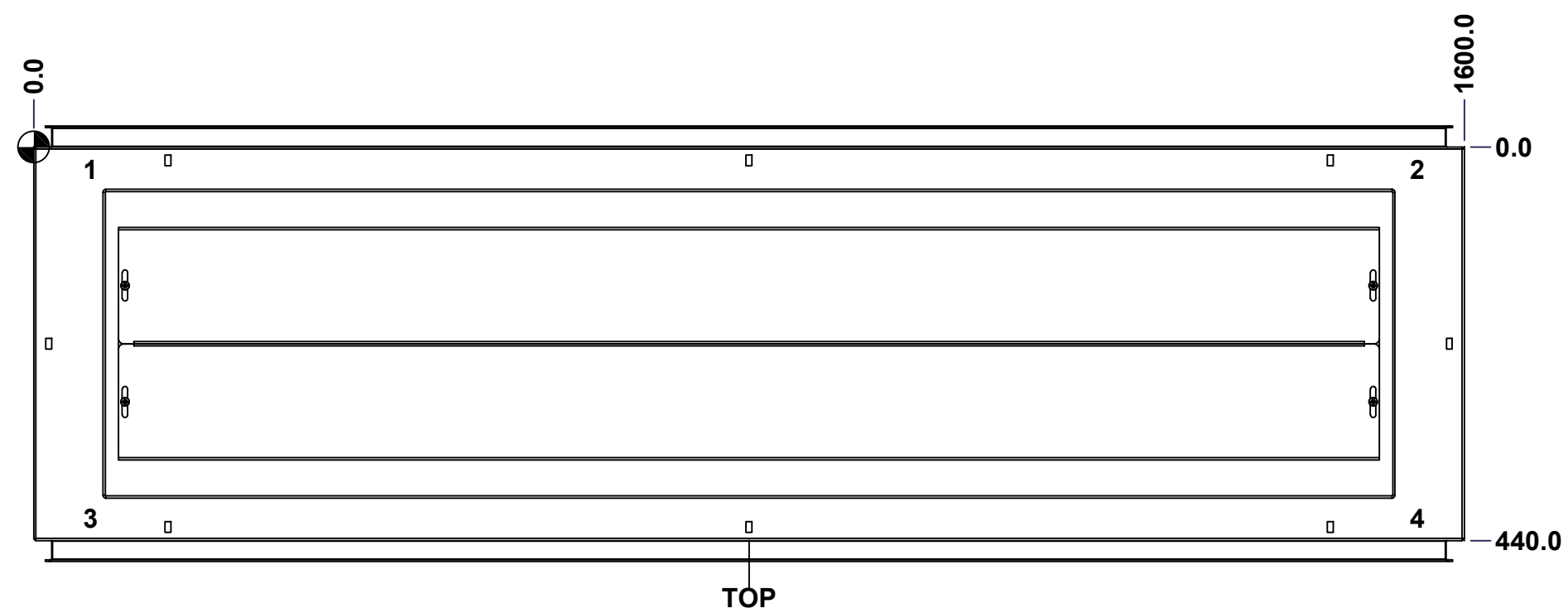
This drawing is confidential and must not be reproduced or used without the consent of EXM

Ce dessin est confidentiel et ne doit pas être reproduit ou utilisé sans le consentement de EXM

STANDARD FEATURES ARE NOT LISTED IN THIS HOLE TABLE

HOLE TABLE - TOP VIEW (CUSTOM FEATURE ONLY)

CUT-OUT	XDIM	YDIM	DESCRIPTION
1	58.0	25.0	STUD M6 x 18mm (Inside)
2	1542.0	25.0	STUD M6 x 18mm (Inside)
3	58.0	415.0	STUD M6 x 18mm (Inside)
4	1542.0	415.0	STUD M6 x 18mm (Inside)

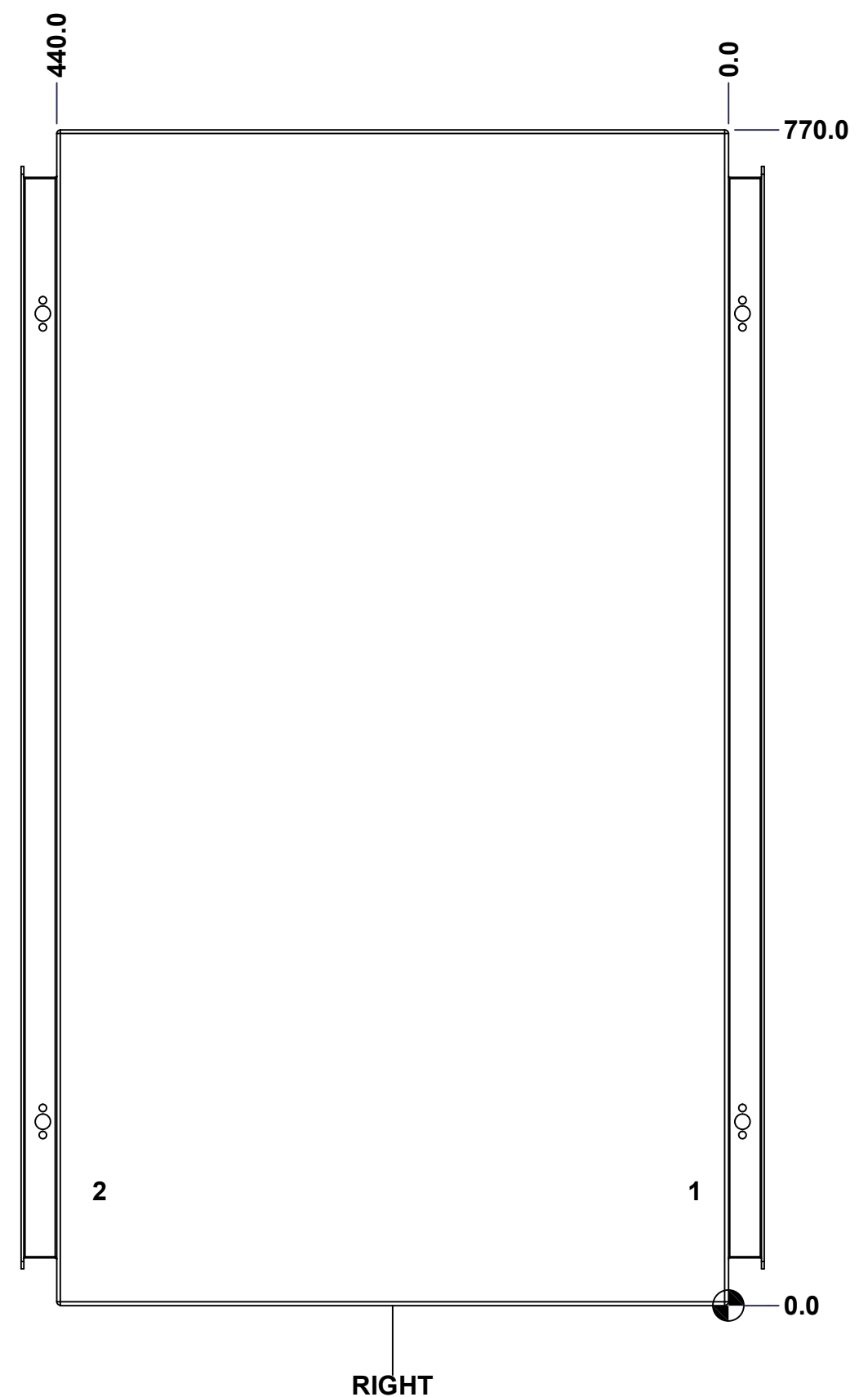


	Description 6500MCOOD 770mm x 1600mm x 500mm Body	Status (NULL)
	Part Number Numéro Pièce 6500MCOOD1605B	Rev. 4 0

This drawing is confidential and must not be reproduced or used without the consent of EXM

Ce dessin est confidentiel et ne doit pas être reproduit ou utilisé sans le consentement de EXM

STANDARD FEATURES ARE NOT LISTED IN THIS HOLE TABLE			
HOLE TABLE - RIGHT VIEW (CUSTOM FEATURE ONLY)			
CUT-OUT	XDIM	YDIM	DESCRIPTION
1	25.0	75.0	GND STUD M6 x 16mm (Inside)
2	415.0	75.0	GND STUD M6 x 16mm (Inside)



	Description 6500MCOODD 770mm x 1600mm x 500mm Body	Status (NULL)
	Part Number Numéro Pièce 6500MCOODD1605B	Rev. 5 0

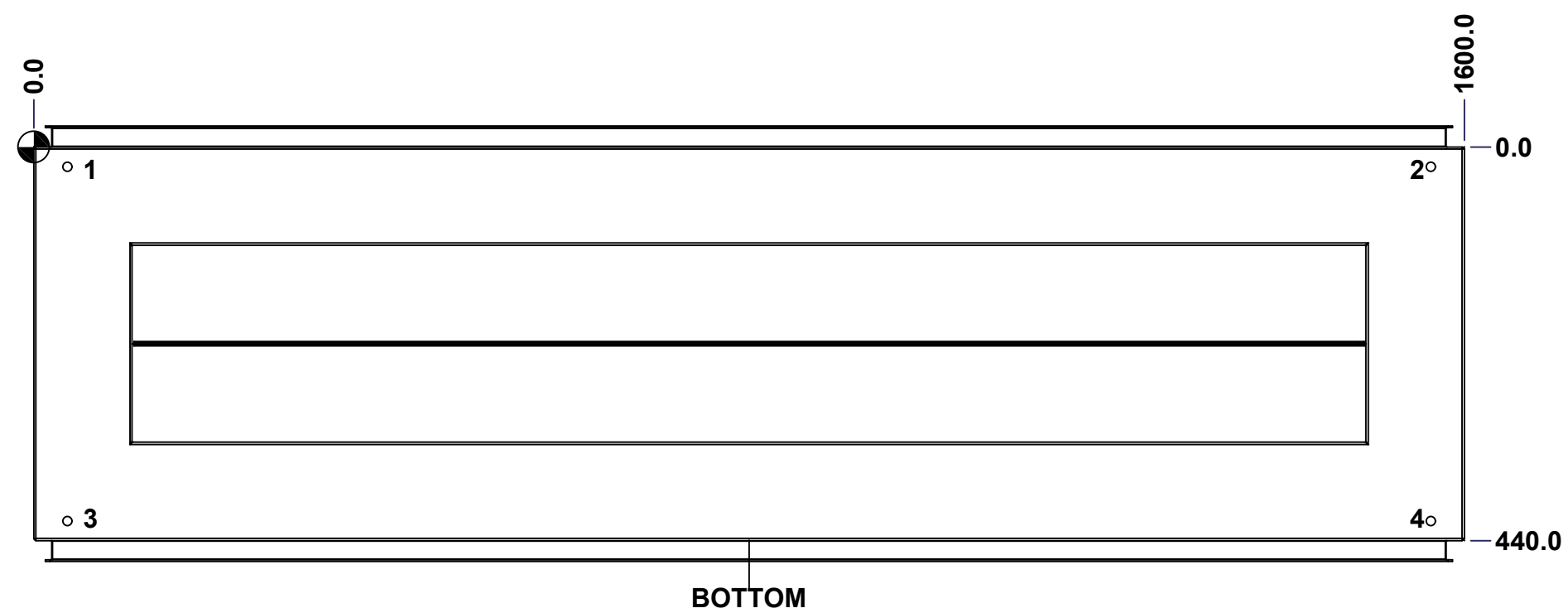
This drawing is confidential and must not be reproduced or used without the consent of EXM

Ce dessin est confidentiel et ne doit pas être reproduit ou utilisé sans le consentement de EXM

STANDARD FEATURES ARE NOT LISTED IN THIS HOLE TABLE

HOLE TABLE - BOTTOM VIEW (CUSTOM FEATURE ONLY)

CUT-OUT	XDIM	YDIM	DESCRIPTION
1	58.0	25.0	STUD M6 x 18mm (Inside)
2	1542.0	25.0	STUD M6 x 18mm (Inside)
3	58.0	415.0	STUD M6 x 18mm (Inside)
4	1542.0	415.0	STUD M6 x 18mm (Inside)

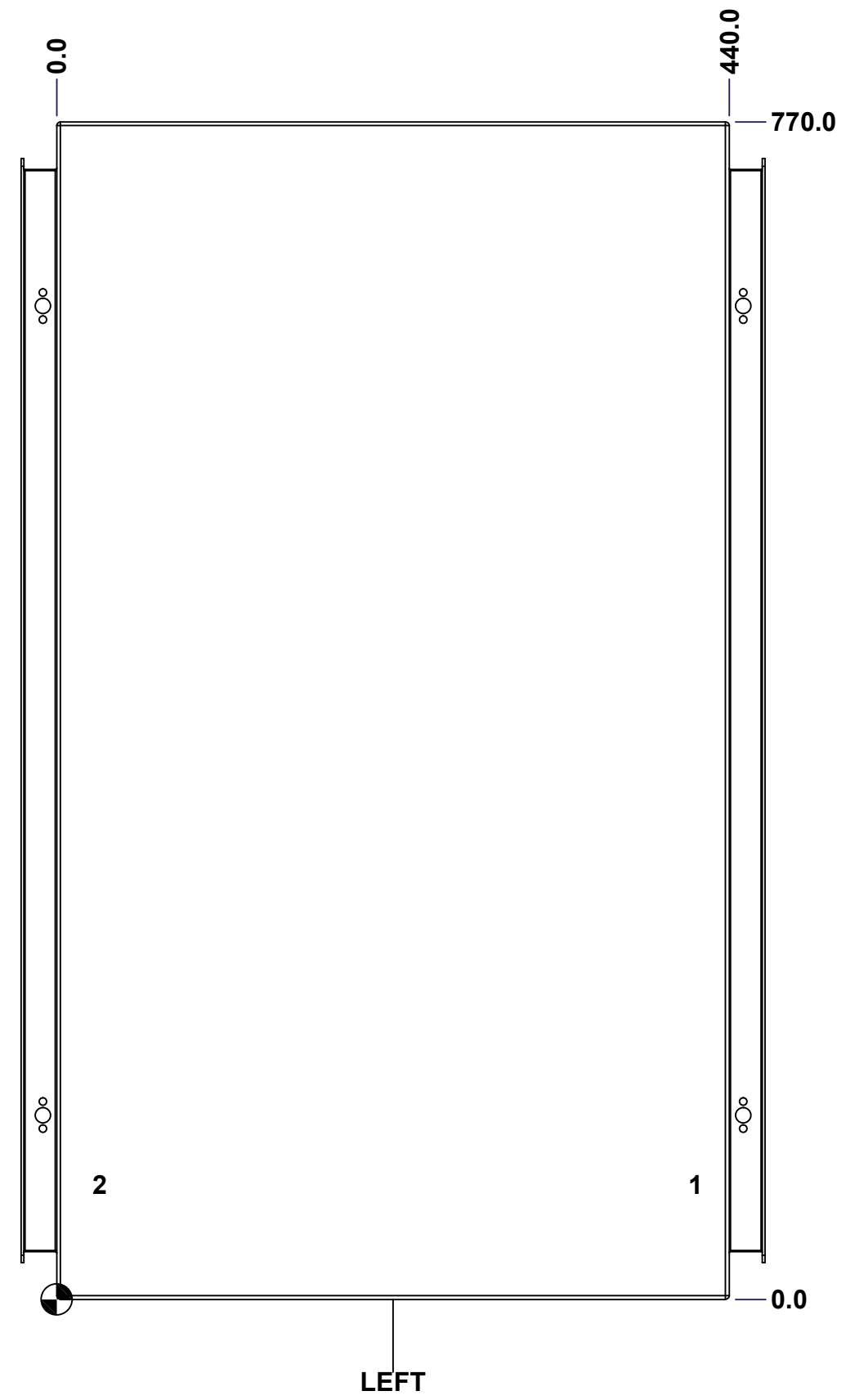


	Description 6500MCOOD 770mm x 1600mm x 500mm Body	Status (NULL)
	Part Number Numéro Pièce 6500MCOOD1605B	Rev. 6 0

This drawing is confidential and must not be reproduced or used without the consent of EXM

Ce dessin est confidentiel et ne doit pas être reproduit ou utilisé sans le consentement de EXM

STANDARD FEATURES ARE NOT LISTED IN THIS HOLE TABLE			
HOLE TABLE - LEFT VIEW (CUSTOM FEATURE ONLY)			
CUT-OUT	XDIM	YDIM	DESCRIPTION
1	415.0	75.0	GND STUD M6 x 16mm (Inside)
2	25.0	75.0	GND STUD M6 x 16mm (Inside)



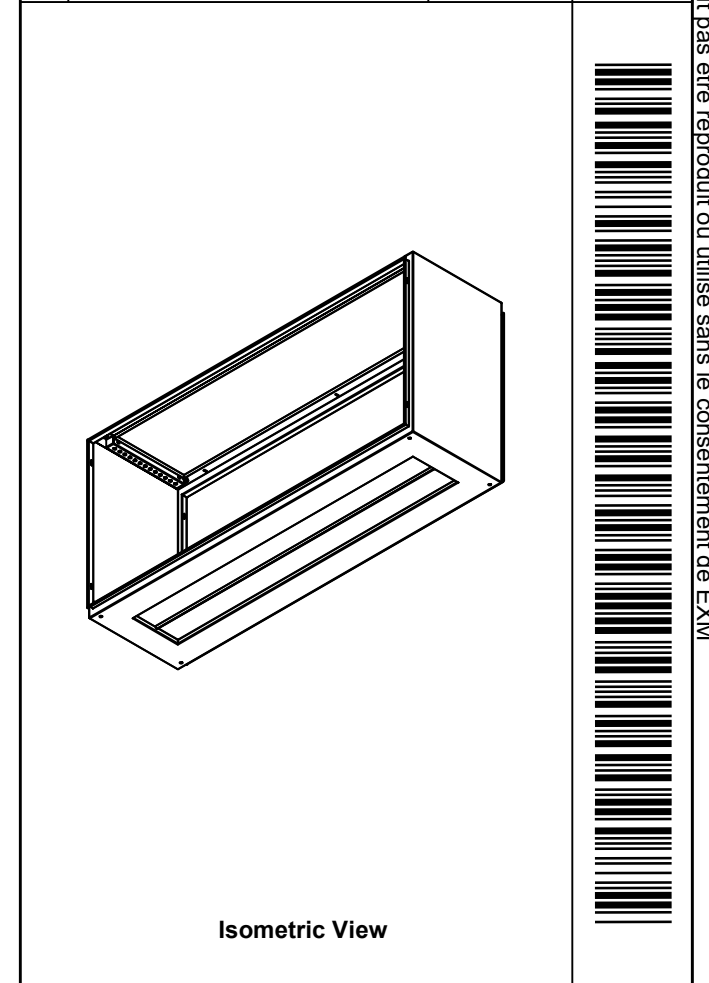
LEFT


	Description 6500MCOODD 770mm x 1600mm x 500mm Body	Status (NULL)
	Part Number Numéro Pièce 6500MCOODD1605B	Rev. 7 0

This drawing is confidential and must not be reproduced or used without the consent of EXM

Ce dessin est confidentiel et ne doit pas être reproduit ou utilisé sans le consentement de EXM

No.	Revisions	Date	By/Par

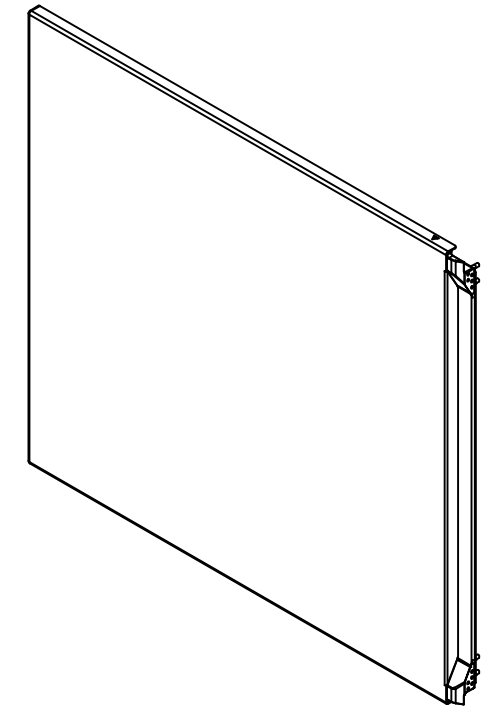
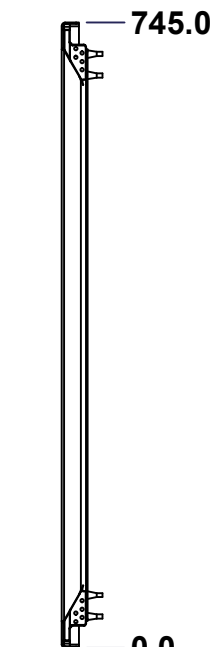
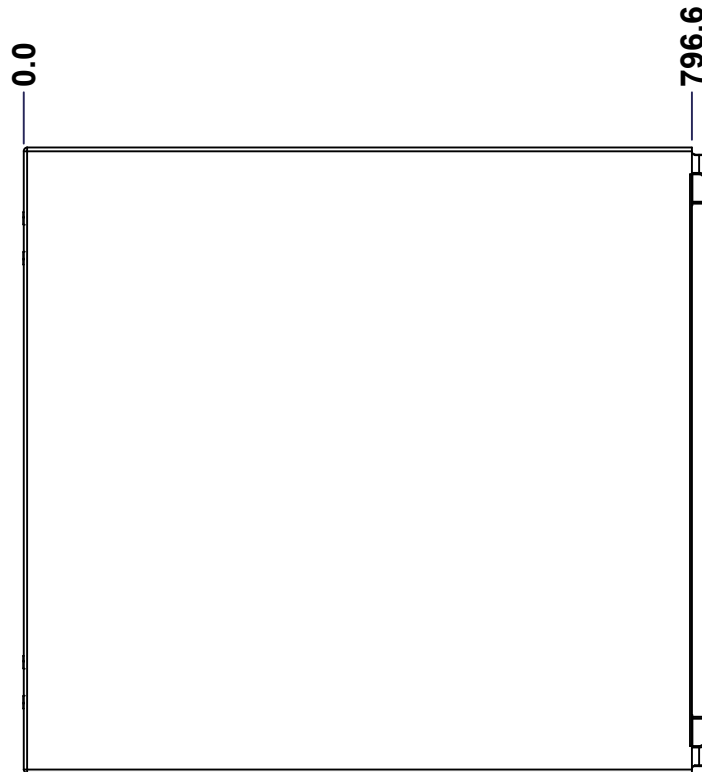
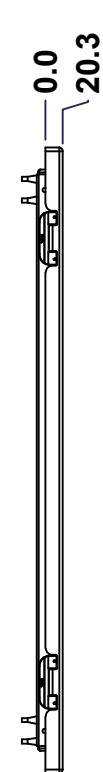
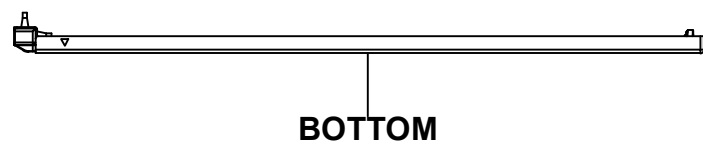
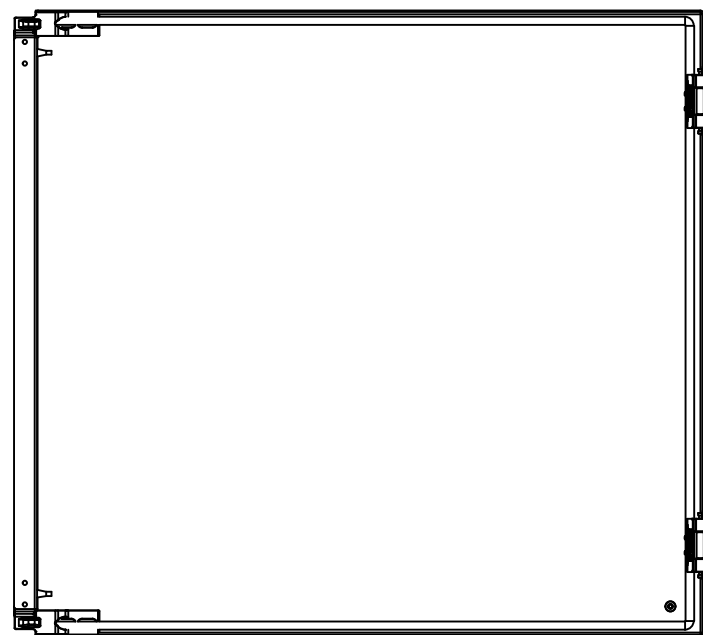
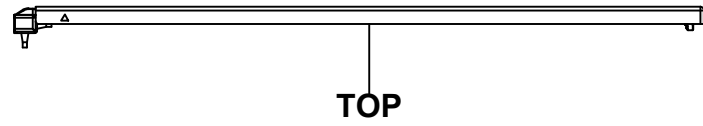


 Tél: (450) 979-4373 Fax: (450) 979-4626 www.exmweb.com		Flatness Aplatissement	
		Max 3.0mm	
Customer Client		Date	
Drawn By Dessiné Par BoxCad: BoxCad		Date 06-Oct-14	
Material Matière 14 Ga Cold Rolled A1008 CS Type B (1.7mm)			
Color Couleur Light Grey RAL7035		Finish Fini Rough Textured	
Description 6500MCODD 770mm x 1600mm x 500mm Body			Detail Rev.
Part Number Numéro Pièce 6500MCODD1605B		Rev. 0	8 22


Qty	Part Number	Rev	Description
4	STK-Q-16080	0	Ground Stud M6 x 16mm Steel
1	STK-P-03820R	0	Powder Paint (Light Grey / Rough Textured)
4	STK-Q-49090-350	2	Mounting Rail 350.0mm
8	STK-Q-16031	0	M6 x 10mm Stud (No Paint Cap Required)
1	6500MCODD1605GP	0	6500MCODD 770mm x 1600mm x 500mm Gland Plate
1	6500MCODD1605B-P	0	6500MCODD 770mm x 1600mm x 500mm Body Part
8	STK-Q-07220	1	M6 Nylon Insert Lock Nut
Parts List			

This drawing is confidential and must not be reproduced or used without the consent of EXM

Ce dessin est confidentiel et ne doit pas être reproduit ou utilisé sans le consentement de EXM



No.	Revisions	Date	By/Par

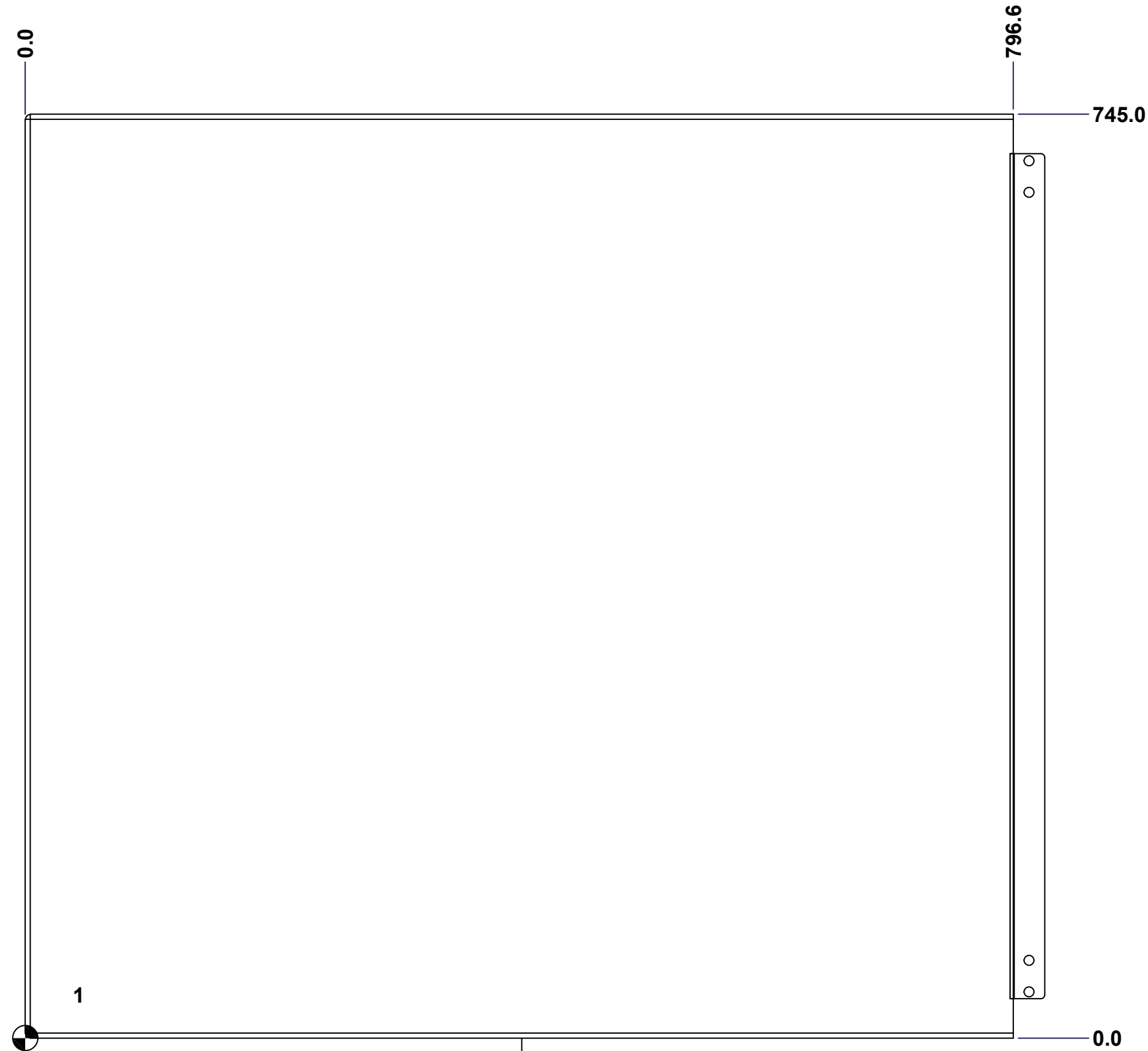
 Tél: (450) 979-4373 Fax: (450) 979-4626 www.exmweb.com		Flatness Aplatissement
		Max 3.0mm
Customer Client		Date
Drawn By / Dessiné Par: BoxCad: BoxCad		Date: 06-Oct-14
Material / Matière: 14 Ga Cold Rolled A1008 CS Type B (1.7mm)		
Color / Couleur: Light Grey RAL7035	Finish / Fini: Rough Textured	
Description: 6500MCOOD 770mm x 1600mm Front Flange Door		Detail Rev.
Part Number / Numéro Pièce: 6500MCOOD1605FL		Rev. 0 / 9 22

SEE BILL OF MATERIAL ON LAST PAGE

This drawing is confidential and must not be reproduced or used without the consent of EXM

Ce dessin est confidentiel et ne doit pas être reproduit ou utilisé sans le consentement de EXM

STANDARD FEATURES ARE NOT LISTED IN THIS HOLE TABLE			
HOLE TABLE - FRONT VIEW (CUSTOM FEATURE ONLY)			
CUT-OUT	XDIM	YDIM	DESCRIPTION
1	40.0	35.0	GND STUD M6 x 16mm (Inside)



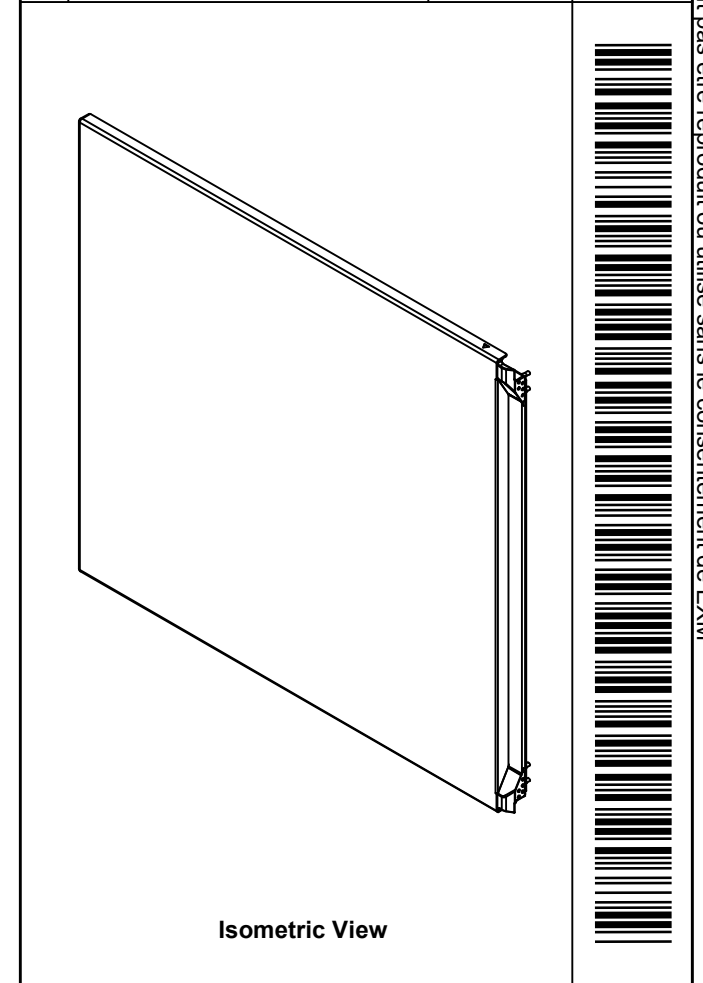
FRONT

	Description 6500MCOODD 770mm x 1600mm Front Flange Door		Status (NULL)	
	Part Number Numéro Pièce 6500MCOODD1605FL		Rev. 0	10 22

This drawing is confidential and must not be reproduced or used without the consent of EXM

Ce dessin est confidentiel et ne doit pas être reproduit ou utilisé sans le consentement de EXM

No.	Revisions	Date	By/Par



EXM
www.exmweb.com

Tél: (450) 979-4373
Fax: (450) 979-4626

Flatness
Aplatissement
Max 3.0mm

Projection

Customer Client
Date

Drawn By / Dessiné Par: BoxCad: BoxCad
Date: 06-Oct-14

Material / Matière: 14 Ga Cold Rolled A1008 CS Type B (1.7mm)

Color / Couleur: Light Grey RAL7035
Finish / Fini: Rough Textured

Description: 6500MCODD 770mm x 1600mm Front Flange Door Part
Detail Rev.

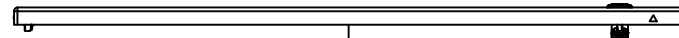
Part Number / Numéro Pièce: **6500MCODD1605FL**
Rev. 0

Qty	Part Number	Rev	Description
1	STK-Q-16080	0	Ground Stud M6 x 16mm Steel
1	STK-P-03820R	0	Powder Paint (Light Grey / Rough Textured)
1	STK-G-03200	8	5500 ESDD Lower Flange Door Gasket
1	STK-G-03100	8	5500 ESDD Upper Flange Door Gasket
1	STK-G-00701	1	1" x 1/4" Self-Adhesive Neoprene Gasket
1	6500MCODD1605FL-P	0	6500MCODD 770mm x 1600mm Front Flange Door Part
1	6500MCODD1605FL-G	0	6500MCODD 770mm x 1600mm Front Flange Door Gasket
2	STK-K-09800	10	5412 ES Hinge with 2 Captive Hinge Pins
Parts List			

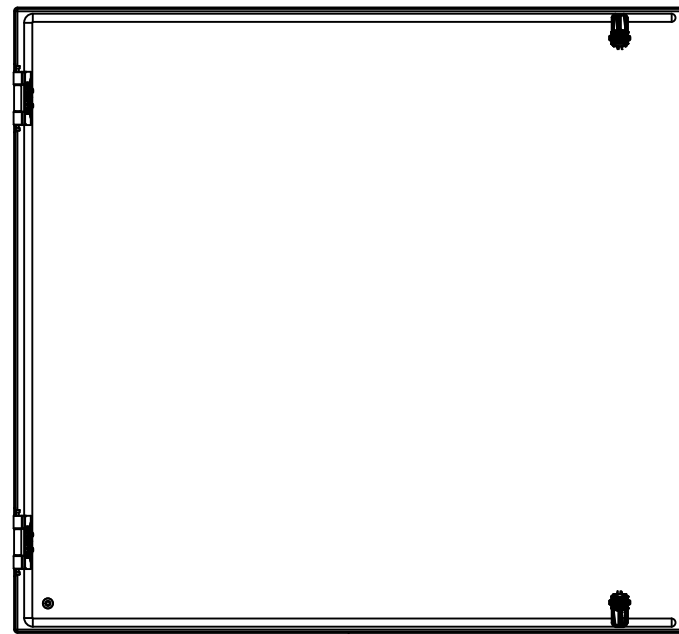
Rev. 11
22

This drawing is confidential and must not be reproduced or used without the consent of EXM

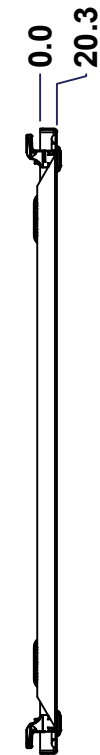
Ce dessin est confidentiel et ne doit pas être reproduit ou utilisé sans le consentement de EXM



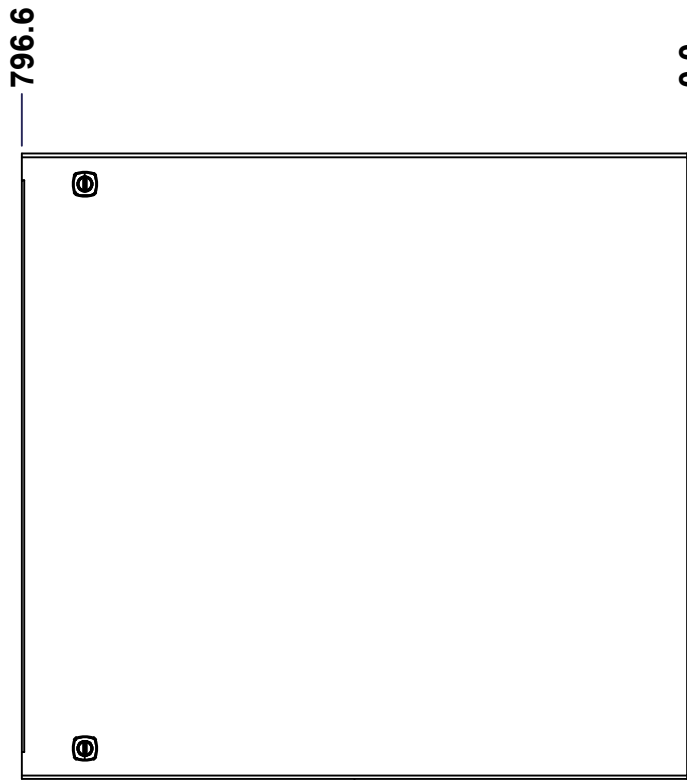
TOP



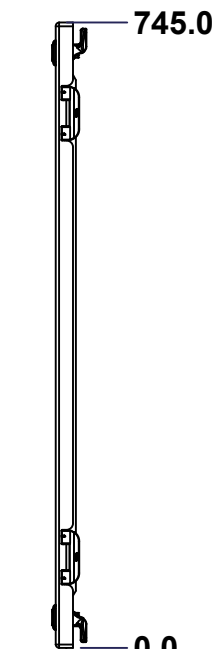
BACK



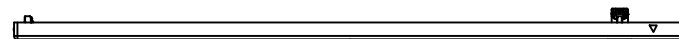
LEFT



FRONT

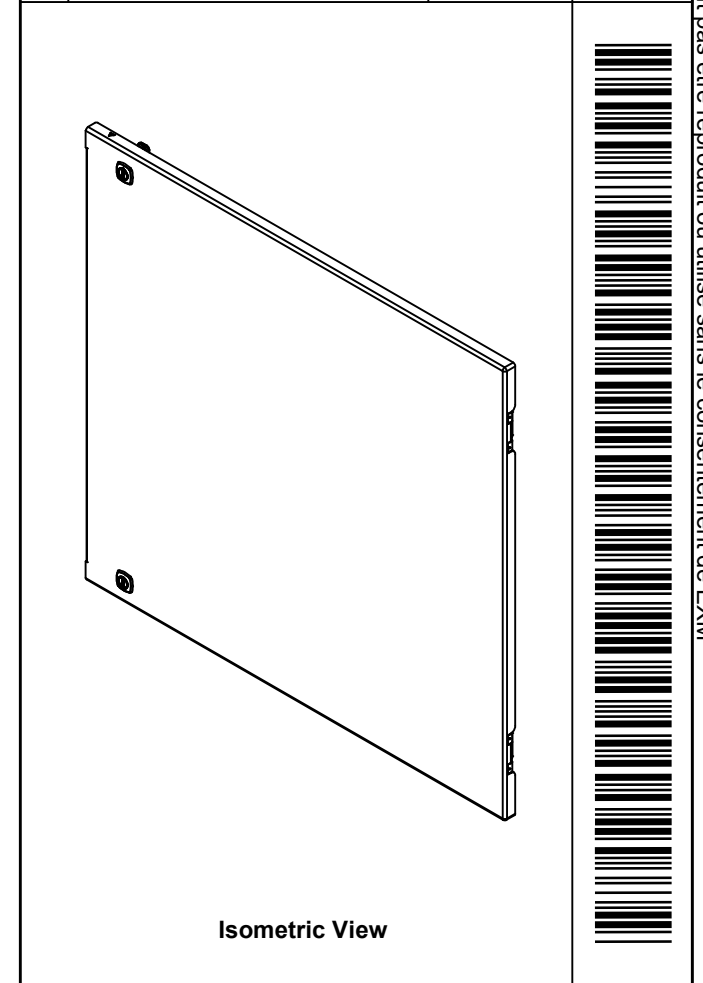



RIGHT



BOTTOM

No.	Revisions	Date	By/Par



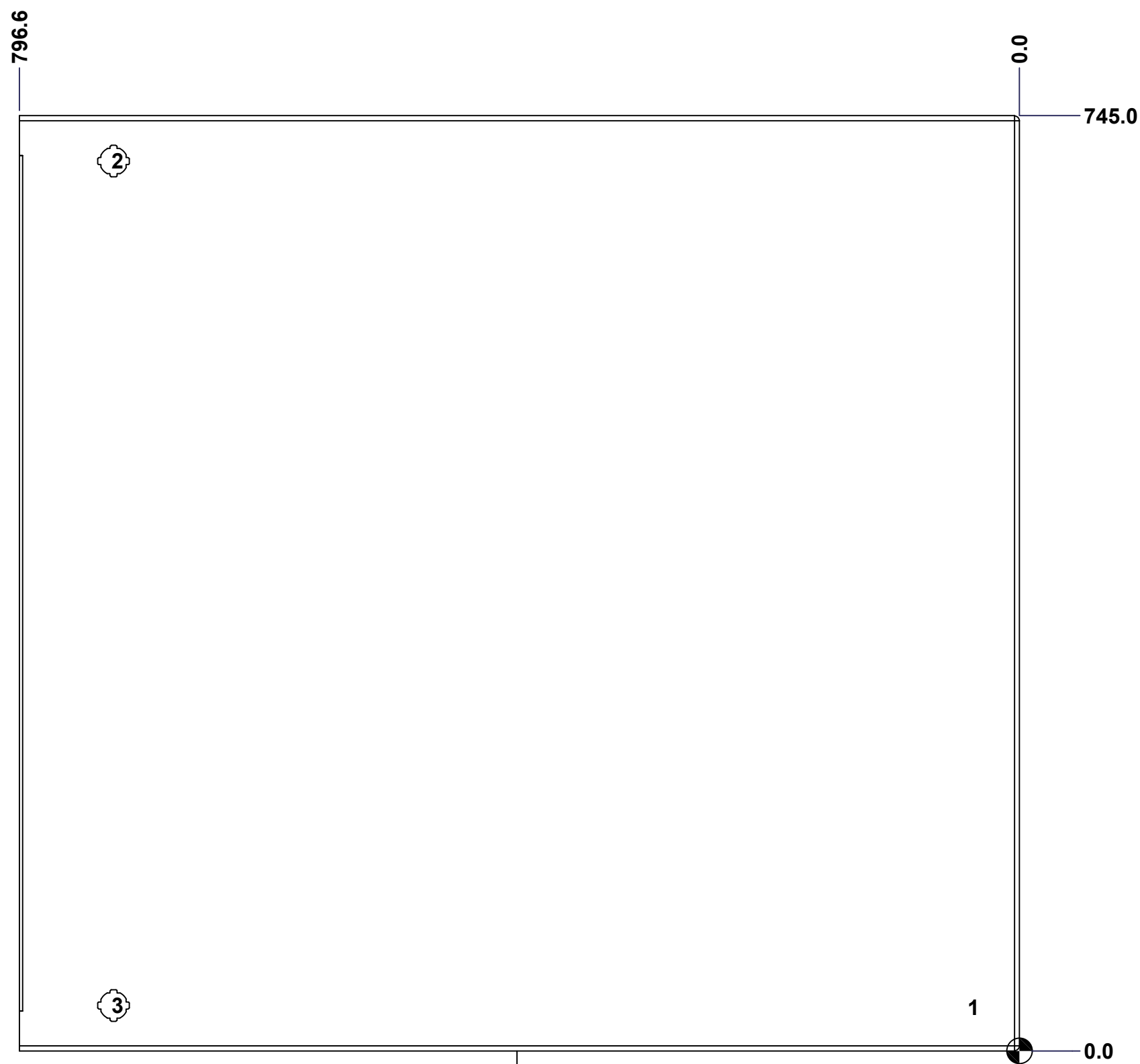
 Tél: (450) 979-4373 Fax: (450) 979-4626 www.exmweb.com		Flatness Aplatissement
		Max 3.0mm
Customer Client		Date
Drawn By Dessiné Par BoxCad: BoxCad		Date 06-Oct-14
Material Matière 14 Ga Cold Rolled A1008 CS Type B (1.7mm)		
Color Couleur Light Grey RAL7035	Finish Fini Rough Textured	
Description 6500MCOOD 770mm x 1600mm Front Lock Door		Detail Rev.
Part Number Numéro Pièce 6500MCOOD1605FR		Rev. 12 0 22

SEE BILL OF MATERIAL ON LAST PAGE

This drawing is confidential and must not be reproduced or used without the consent of EXM

Ce dessin est confidentiel et ne doit pas être reproduit ou utilisé sans le consentement de EXM

STANDARD FEATURES ARE NOT LISTED IN THIS HOLE TABLE			
HOLE TABLE - FRONT VIEW (CUSTOM FEATURE ONLY)			
CUT-OUT	XDIM	YDIM	DESCRIPTION
1	40.0	35.0	GND STUD M6 x 16mm (Inside)
2	721.6	708.8	LOCK 880 SCQ4-SL @ 90.0°
3	721.6	36.2	LOCK 880 SCQ4-SL @ 270.0°



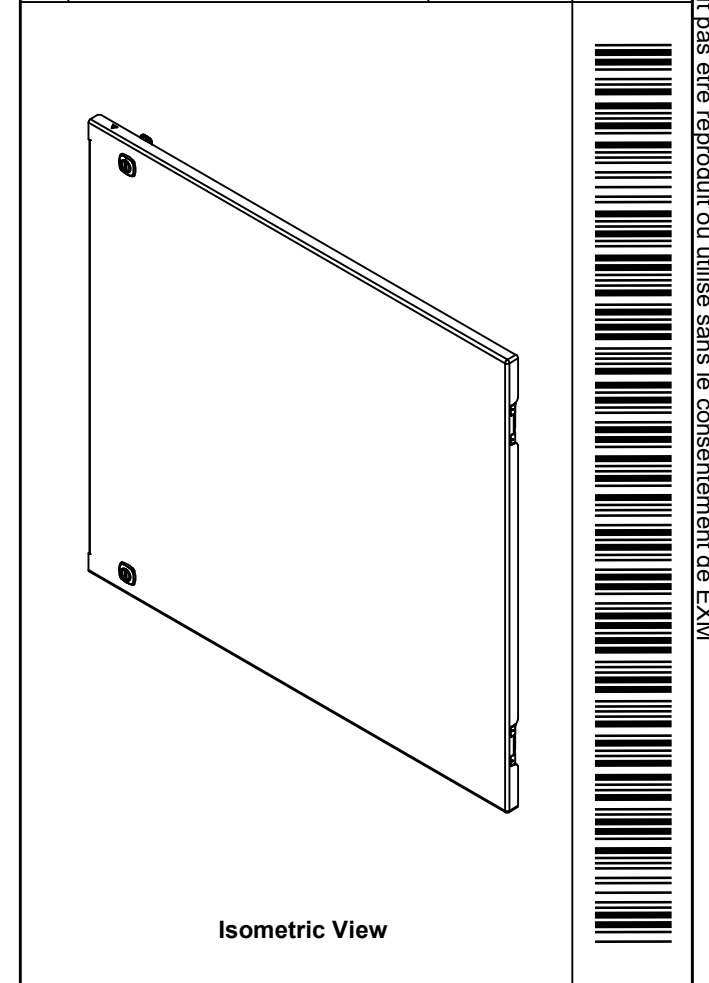
FRONT

	Description 6500MCOODD 770mm x 1600mm Front Lock Door	Status (NULL)
	Part Number Numéro Pièce 6500MCOODD1605FR	Rev. 13 0

This drawing is confidential and must not be reproduced or used without the consent of EXM

Ce dessin est confidentiel et ne doit pas être reproduit ou utilisé sans le consentement de EXM

No.	Revisions	Date	By/Par

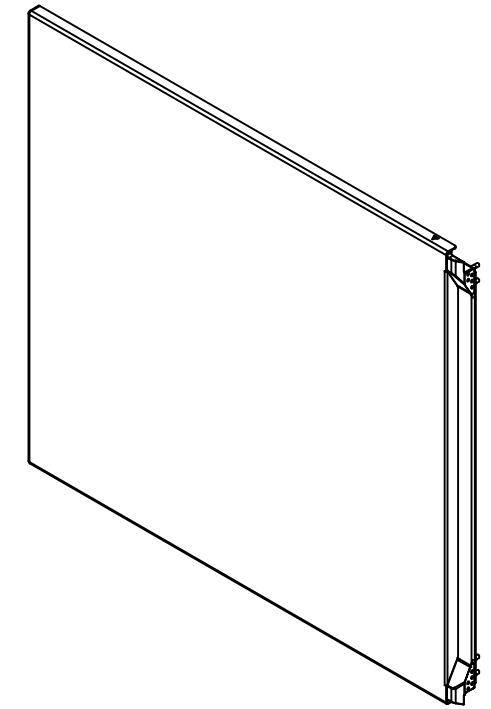
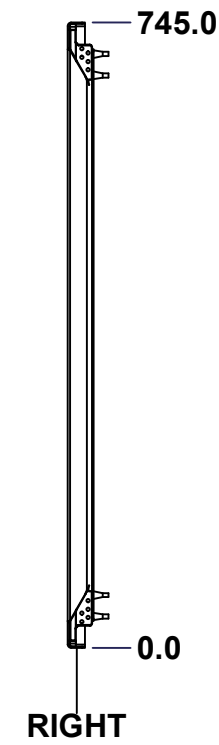
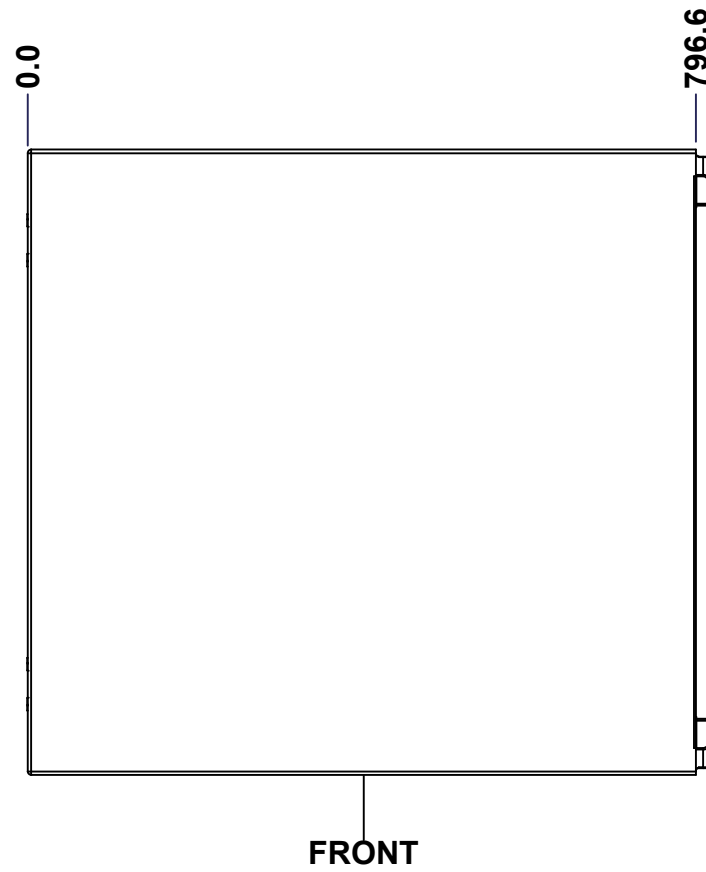
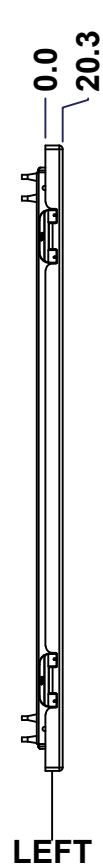
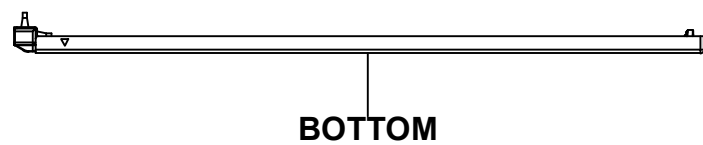
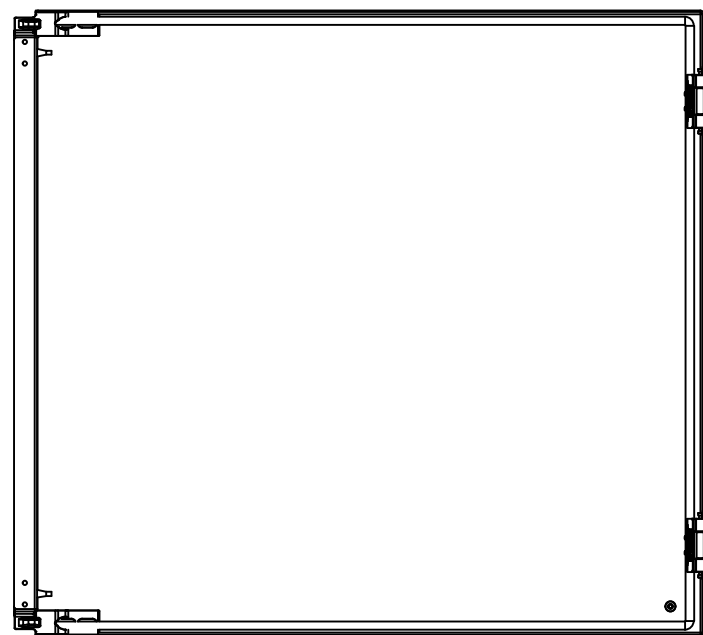
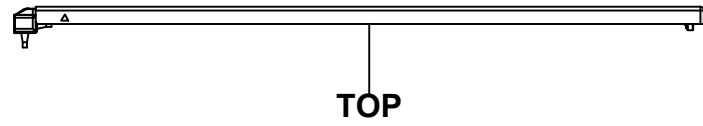


Tél: (450) 979-4373 Fax: (450) 979-4626 www.exmweb.com		Flatness Aplatissement	
		Max 3.0mm	
Customer Client		Date	
Drawn By Dessiné Par BoxCad: BoxCad		Date 06-Oct-14	
Material Matière 14 Ga Cold Rolled A1008 CS Type B (1.7mm)			
Color Couleur Light Grey RAL7035		Finish Fini Rough Textured	
Description 6500MCOOD 770mm x 1600mm Front Lock Door			Detail Rev.
Part Number Numéro Pièce 6500MCOOD1605FR			Rev. 14 0 22


Qty	Part Number	Rev	Description
2	STK-K-12500	18	5412 ES 1/4 Turn Lock
1	STK-Q-16080	0	Ground Stud M6 x 16mm Steel
1	STK-P-03820R	0	Powder Paint (Light Grey / Rough Textured)
1	6500MCOOD1605FR-P	0	6500MCOOD 770mm x 1600mm Front Lock Door Part
1	6500MCOOD1605FR-G	0	6500MCOOD 770mm x 1600mm Front Lock Door Gasket
2	STK-K-09800	10	5412 ES Hinge with 2 Captive Hinge Pins
Parts List			

This drawing is confidential and must not be reproduced or used without the consent of EXM

Ce dessin est confidentiel et ne doit pas être reproduit ou utilisé sans le consentement de EXM



No.	Revisions	Date	By/Par

 Tél: (450) 979-4373 Fax: (450) 979-4626 www.exmweb.com		Flatness Aplatissement
		Max 3.0mm
Customer Client		Date
Drawn By / Dessiné Par: BoxCad: BoxCad		Date: 06-Oct-14
Material / Matière: 14 Ga Cold Rolled A1008 CS Type B (1.7mm)		
Color / Couleur: Light Grey RAL7035	Finish / Fini: Rough Textured	
Description: 6500MCOOD 770mm x 1600mm Back Flange Door		Detail Rev.
Part Number / Numéro Pièce: 6500MCOOD1605BL		Rev. 0 / 15 22

SEE BILL OF MATERIAL ON LAST PAGE

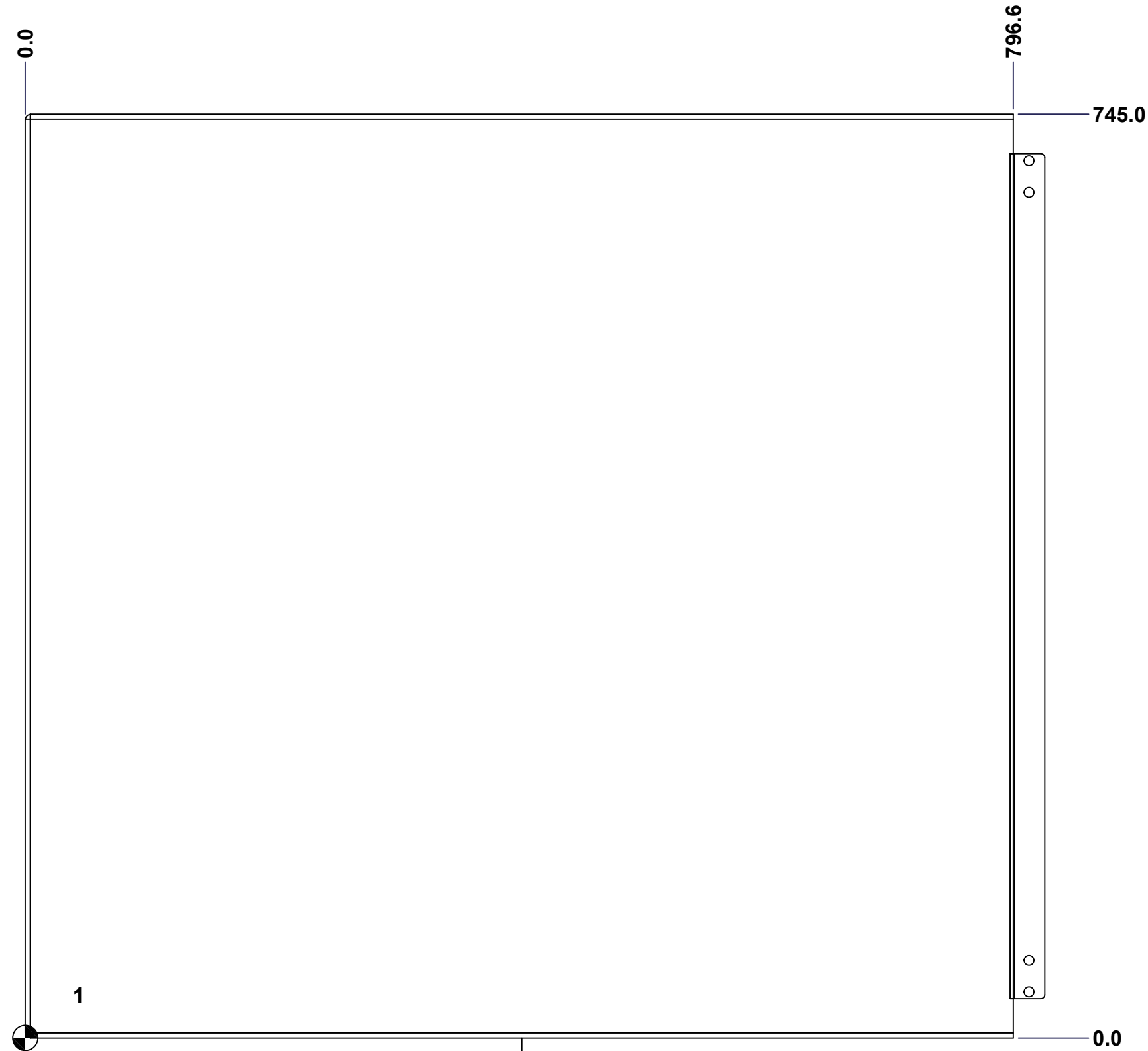
This drawing is confidential and must not be reproduced or used without the consent of EXM

Ce dessin est confidentiel et ne doit pas être reproduit ou utilisé sans le consentement de EXM

STANDARD FEATURES ARE NOT LISTED IN THIS HOLE TABLE

HOLE TABLE - FRONT VIEW (CUSTOM FEATURE ONLY)

CUT-OUT	XDIM	YDIM	DESCRIPTION
1	40.0	35.0	GND STUD M6 x 16mm (Inside)



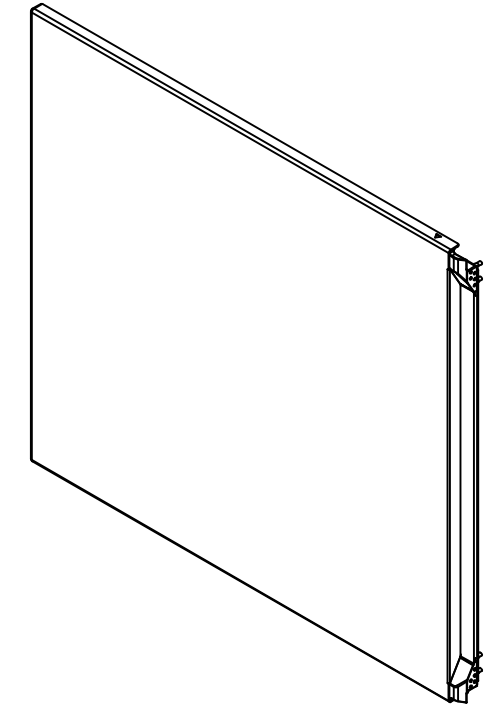
FRONT

	Description 6500MCOODD 770mm x 1600mm Back Flange Door		Status (NULL)
	Part Number Numéro Pièce 6500MCOODD1605BL		Rev. 16 0 / 22

This drawing is confidential and must not be reproduced or used without the consent of EXM

Ce dessin est confidentiel et ne doit pas être reproduit ou utilisé sans le consentement de EXM

No.	Revisions	Date	By/Par



Isometric View

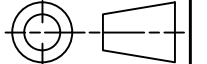


Tél: (450) 979-4373
 Fax: (450) 979-4626
www.exmweb.com

Flatness
Aplatissement

Max 3.0mm

Projection



Customer Client	Date
Drawn By / Dessiné Par: BoxCad: BoxCad	Date: 06-Oct-14

Material / Matière	14 Ga Cold Rolled A1008 CS Type B (1.7mm)
--------------------	---

Color / Couleur	Light Grey RAL7035	Finish / Fini	Rough Textured
-----------------	--------------------	---------------	----------------

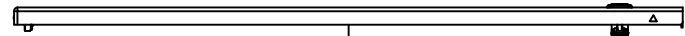
Description	6500MCODD 770mm x 1600mm Back Flange Door	Detail Rev.
-------------	---	-------------

Part Number / Numéro Pièce	6500MCODD1605BL	Rev.	0
----------------------------	------------------------	------	---

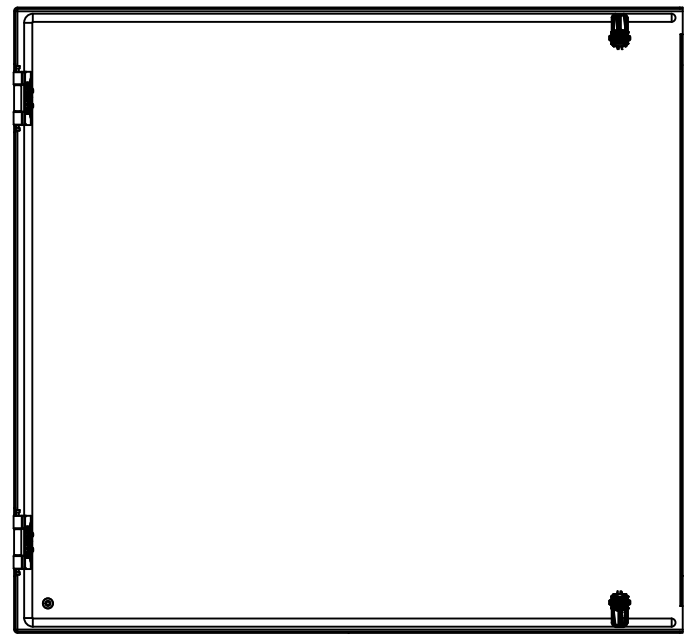
Qty	Part Number	Rev	Description
1	STK-Q-16080	0	Ground Stud M6 x 16mm Steel
1	STK-P-03820R	0	Powder Paint (Light Grey / Rough Textured)
1	STK-G-03200	8	5500 ESDD Lower Flange Door Gasket
1	STK-G-03100	8	5500 ESDD Upper Flange Door Gasket
1	STK-G-00701	1	1" x 1/4" Self-Adhesive Neoprene Gasket
1	6500MCODD1605BL-P	0	6500MCODD 770mm x 1600mm Back Flange Door Part
1	6500MCODD1605BL-G	0	6500MCODD 770mm x 1600mm Back Flange Door Gasket
2	STK-K-09800	10	5412 ES Hinge with 2 Captive Hinge Pins
Parts List			

This drawing is confidential and must not be reproduced or used without the consent of EXM

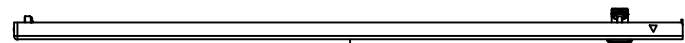
Ce dessin est confidentiel et ne doit pas être reproduit ou utilisé sans le consentement de EXM



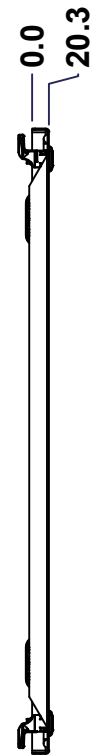
TOP



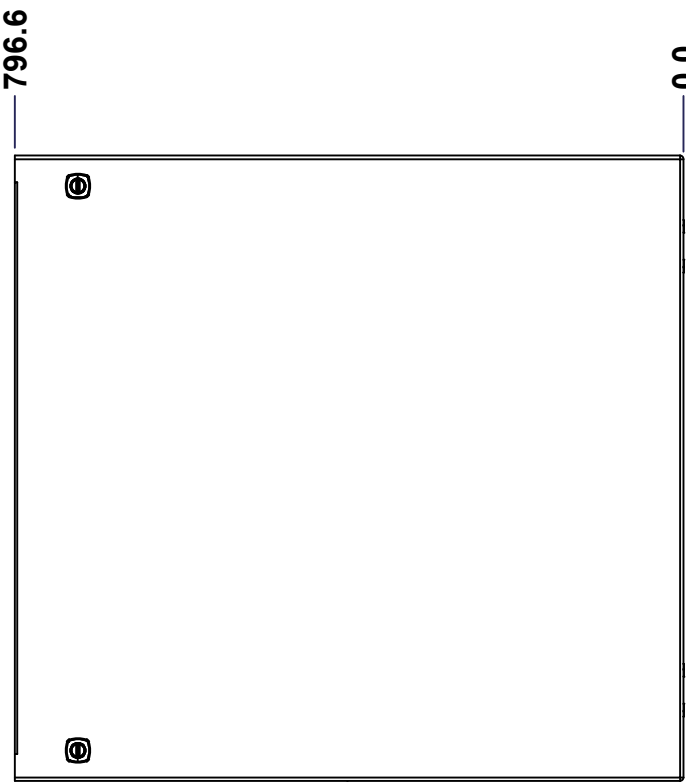
BACK



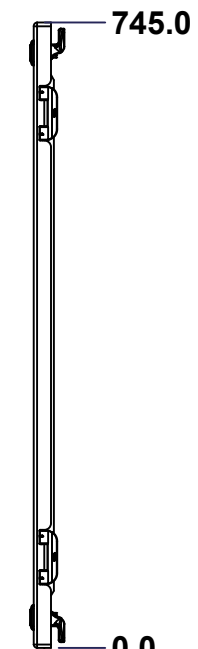
BOTTOM



LEFT

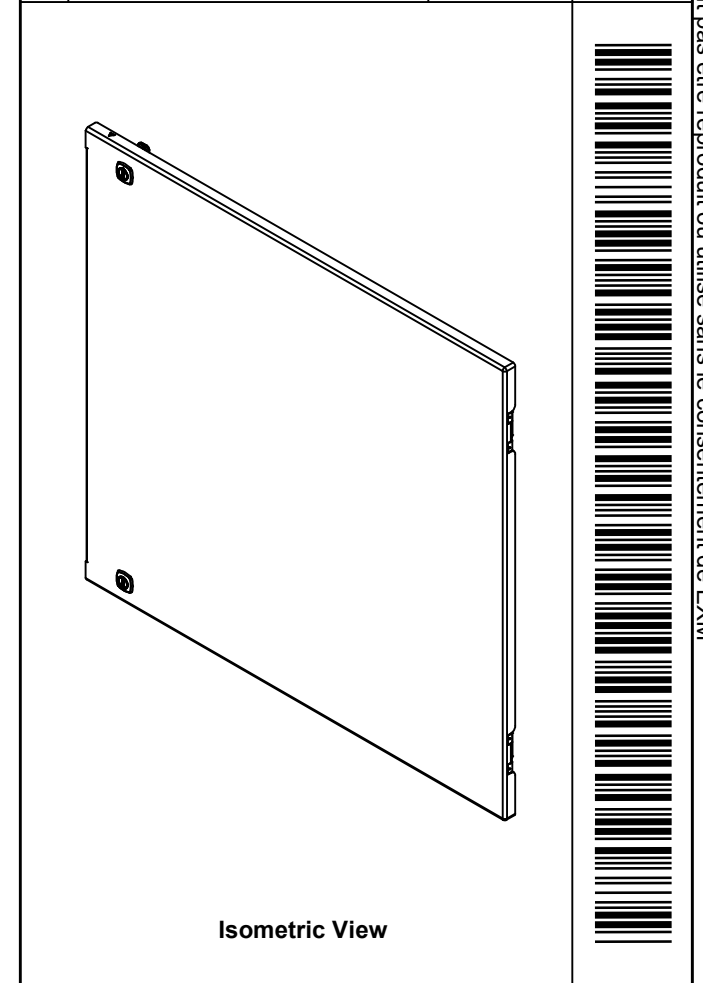


FRONT




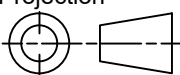
RIGHT

No.	Revisions	Date	By/Par



Isometric View



 Tél: (450) 979-4373 Fax: (450) 979-4626 www.exmweb.com		Flatness Aplatissement Max 3.0mm Projection 
Customer Client	Date	
Drawn By Dessiné Par	BoxCad: BoxCad	Date 06-Oct-14
Material Matière	14 Ga Cold Rolled A1008 CS Type B (1.7mm)	
Color Couleur	Light Grey RAL7035	Finish Fini Rough Textured
Description 6500MCOOD 770mm x 1600mm Back Lock Door		Detail Rev.
Part Number Numéro Pièce	Rev. 0	18 / 22

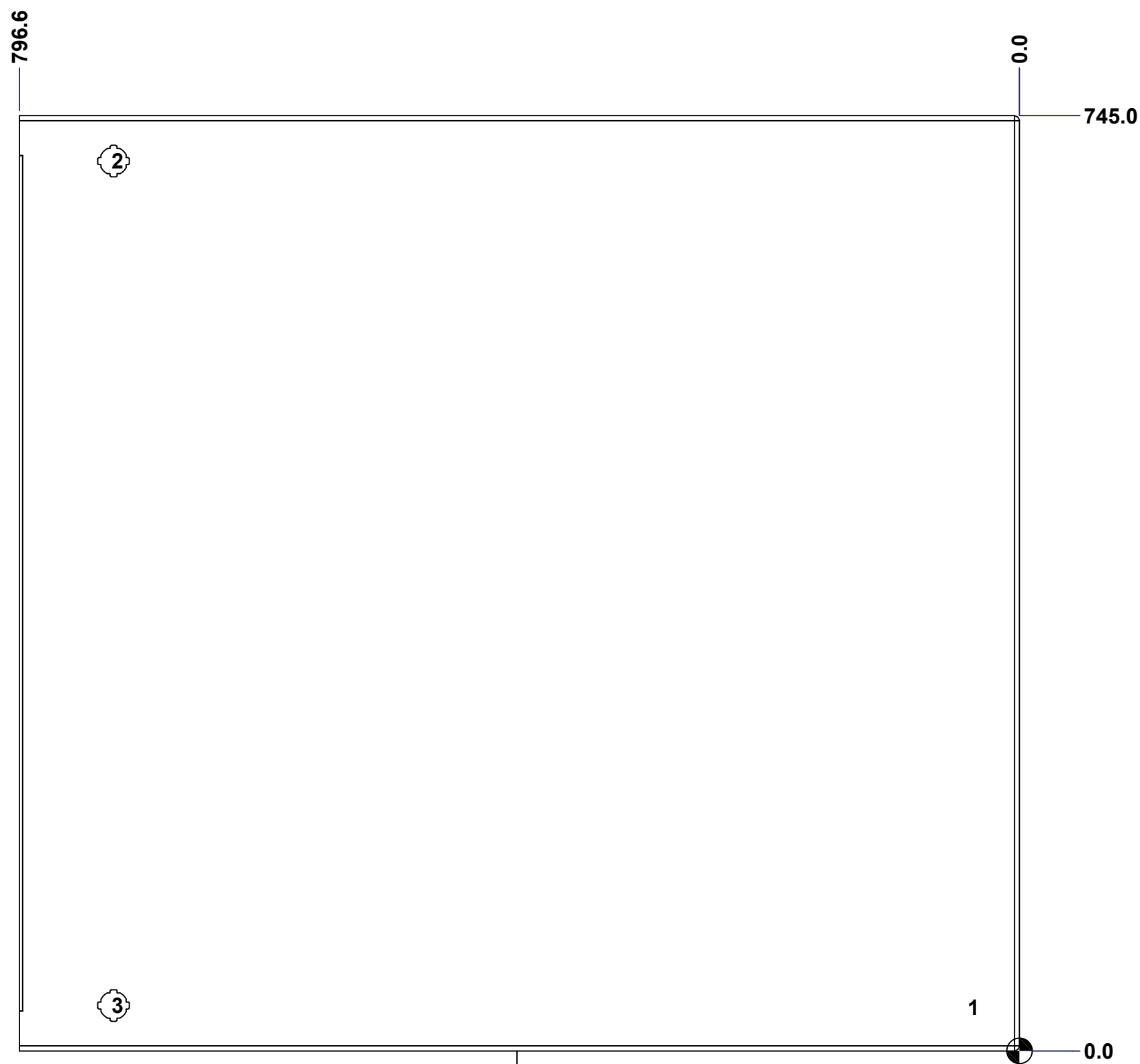
SEE BILL OF MATERIAL ON LAST PAGE

6500MCOOD1605BR

This drawing is confidential and must not be reproduced or used without the consent of EXM

Ce dessin est confidentiel et ne doit pas être reproduit ou utilisé sans le consentement de EXM

STANDARD FEATURES ARE NOT LISTED IN THIS HOLE TABLE			
HOLE TABLE - FRONT VIEW (CUSTOM FEATURE ONLY)			
CUT-OUT	XDIM	YDIM	DESCRIPTION
1	40.0	35.0	GND STUD M6 x 16mm (Inside)
2	721.6	708.8	LOCK 880 SCQ4-SL @ 90.0°
3	721.6	36.2	LOCK 880 SCQ4-SL @ 270.0°



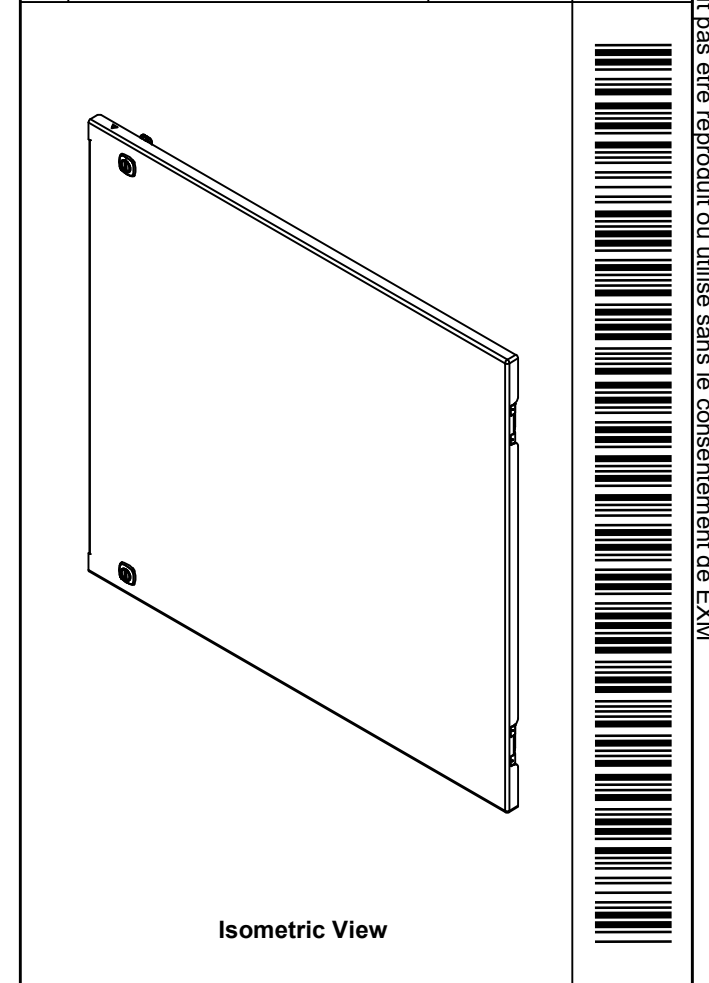
FRONT

	Description 6500MCOODD 770mm x 1600mm Back Lock Door	Status (NULL)
	Part Number Numéro Pièce 6500MCOODD1605BR	Rev. 19 0 22

This drawing is confidential and must not be reproduced or used without the consent of EXM

Ce dessin est confidentiel et ne doit pas être reproduit ou utilisé sans le consentement de EXM

No.	Revisions	Date	By/Par

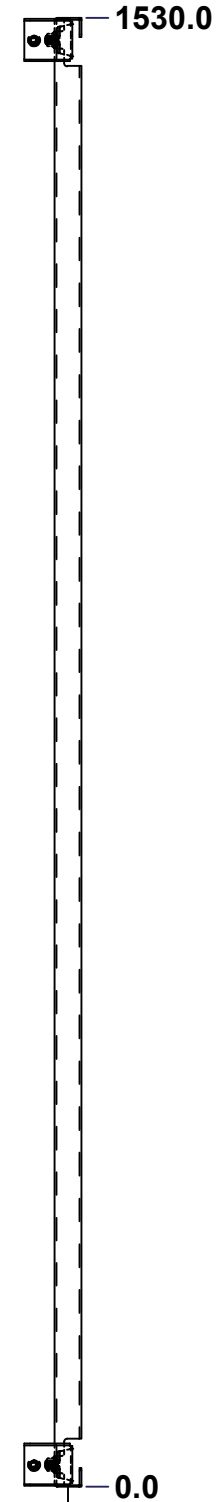
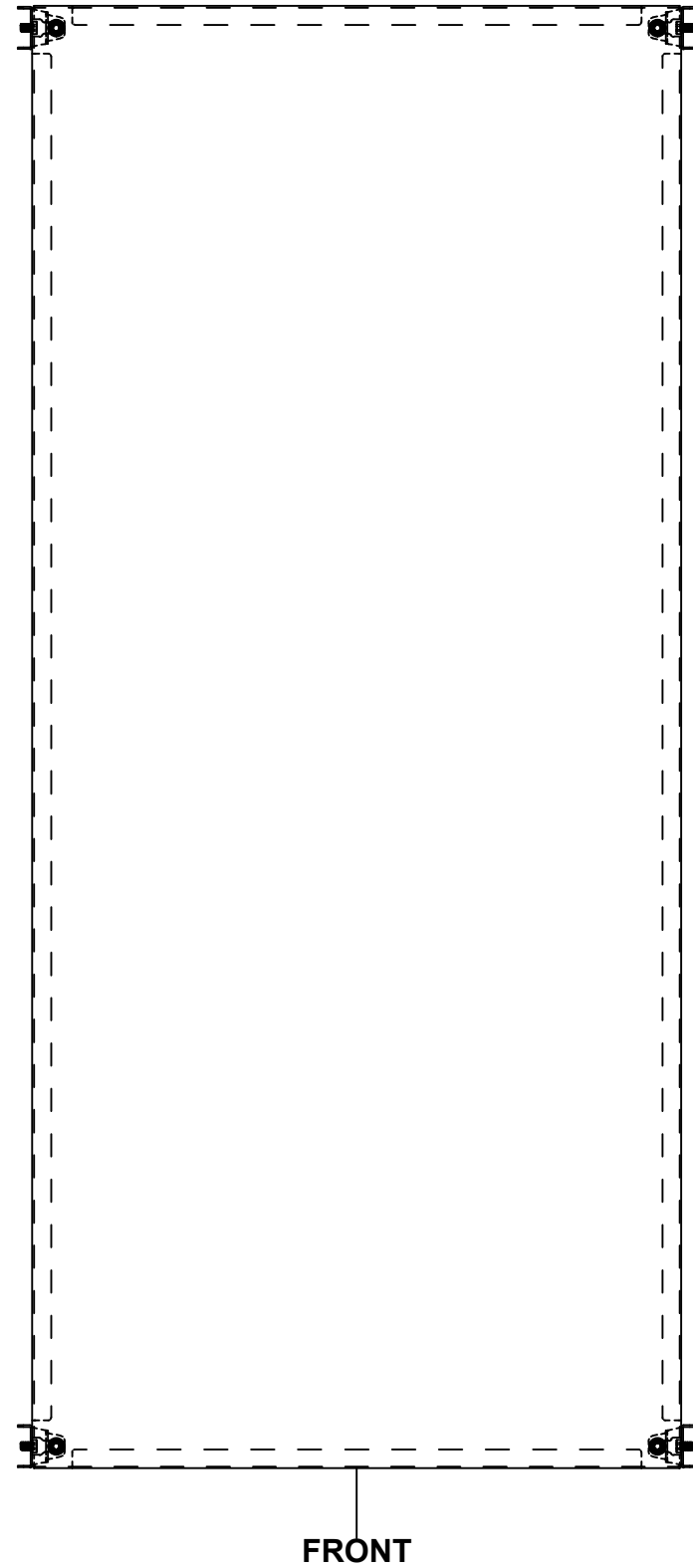
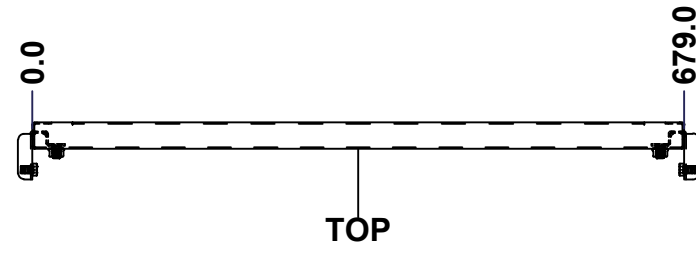


Tél: (450) 979-4373 Fax: (450) 979-4626 www.exmweb.com		Flatness Aplatissement	
		Max 3.0mm Projection	
Customer Client		Date	
Drawn By Dessiné Par BoxCad: BoxCad		Date 06-Oct-14	
Material Matière 14 Ga Cold Rolled A1008 CS Type B (1.7mm)			
Color Couleur Light Grey RAL7035		Finish Fini Rough Textured	
Description 6500MCOOD 770mm x 1600mm Back Lock Door			Detail Rev.
Part Number Numéro Pièce 6500MCOOD1605BR			Rev. 20 0 22

2	STK-K-12500	18	5412 ES 1/4 Turn Lock
1	STK-Q-16080	0	Ground Stud M6 x 16mm Steel
1	STK-P-03820R	0	Powder Paint (Light Grey / Rough Textured)
1	6500MCOOD1605BR-P	0	6500MCOOD 770mm x 1600mm Back Lock Door Part
1	6500MCOOD1605BR-G	0	6500MCOOD 770mm x 1600mm Back Lock Door Gasket
2	STK-K-09800	10	5412 ES Hinge with 2 Captive Hinge Pins
Qty	Part Number	Rev	Description
Parts List			

This drawing is confidential and must not be reproduced or used without the consent of EXM

Ce dessin est confidentiel et ne doit pas être reproduit ou utilisé sans le consentement de EXM



SEE BILL OF MATERIAL ON LAST PAGE

No.	Revisions	Date	By/Par

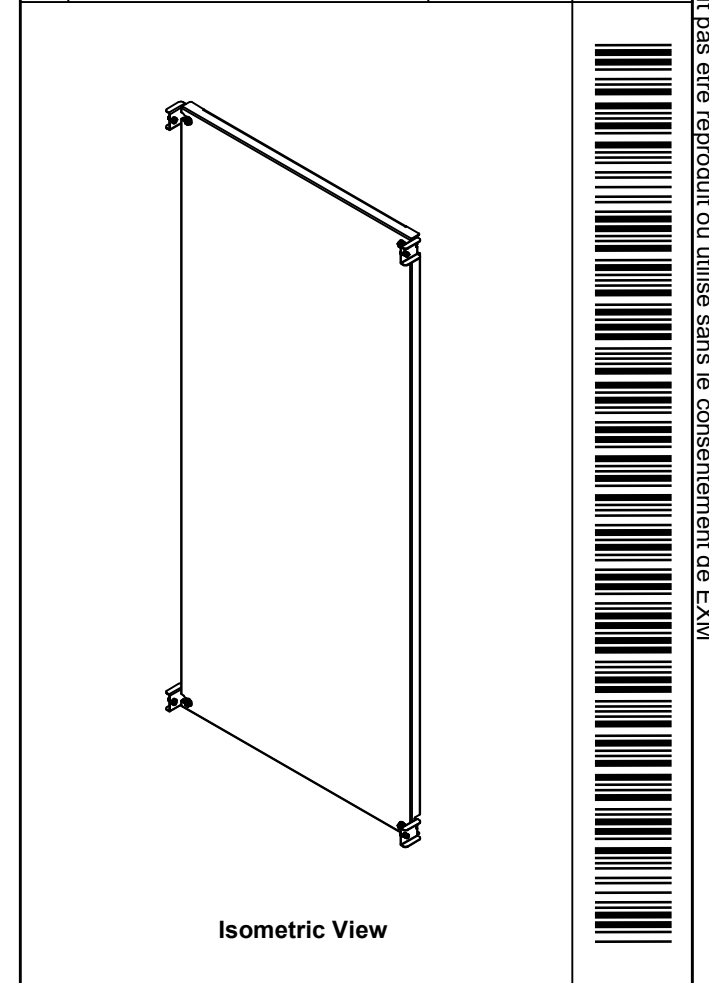
Isometric View


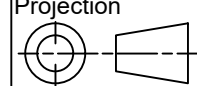
Tél: (450) 979-4373 Fax: (450) 979-4626 www.exmweb.com		Flatness Aplatissement Max 3.0mm Projection
Customer Client	Date	
Drawn By Dessiné Par	BoxCad: BoxCad	Date 06-Oct-14
Material Matière	14 Ga Galvanized	
Color Couleur	Unpainted	Finish Fini Rough Textured
Description	Detail Rev.	
6500MCOOD 770mm x 1600mm Inner Panel Part		
Part Number Numéro Pièce	Rev.	21
6500MCOOD1605IP	0	22

This drawing is confidential and must not be reproduced or used without the consent of EXM

Ce dessin est confidentiel et ne doit pas être reproduit ou utilisé sans le consentement de EXM

No.	Revisions	Date	By/Par



 Tél: (450) 979-4373 Fax: (450) 979-4626 www.exmweb.com		Flatness Aplatissement Max 3.0mm Projection 
Customer Client	Date	
Drawn By Dessiné Par	BoxCad: BoxCad	Date 06-Oct-14
Material Matière	14 Ga Galvanized	
Color Couleur	Unpainted	Finish Fini Rough Textured
Description 6500MCOOD 770mm x 1600mm Inner Panel Part		Detail Rev.
Part Number Numéro Pièce	6500MCOOD1605IP	Rev. 22 0 22

Qty	Part Number	Rev	Description
4	STK-Q-00700	2	M8 x 12mm Hex Socket Cap Screw (DIN 6912)
4	STK-Q-07310	3	Flange Lock Nut M8
1	6500MCOOD1605IP-P	0	6500MCOOD 770mm x 1600mm Inner Panel Part
4	STK-Q-07640	0	6500 MTU Inner Panel Support Bracket
Parts List			