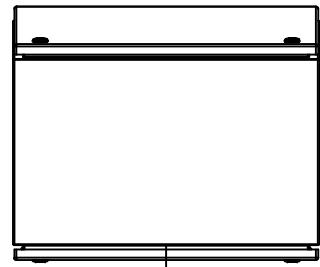
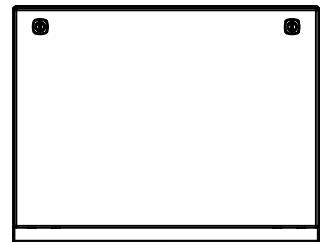


This drawing is confidential and must not be reproduced or used without the consent of EXM

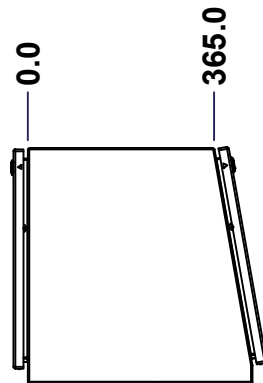
Ce dessin est confidentiel et ne doit pas être reproduit ou utilisé sans le consentement de EXM



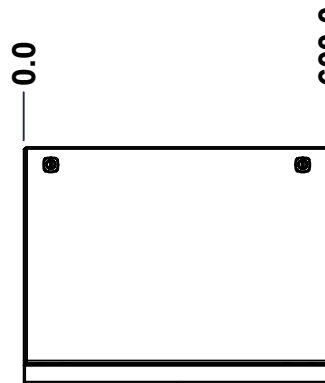
TOP



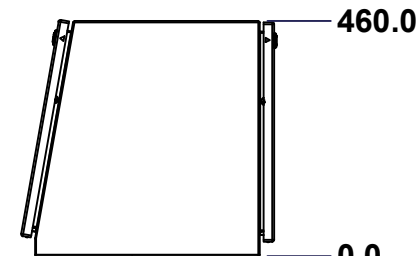
BACK



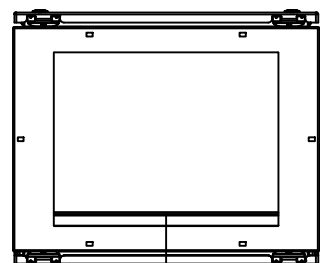
LEFT



FRONT

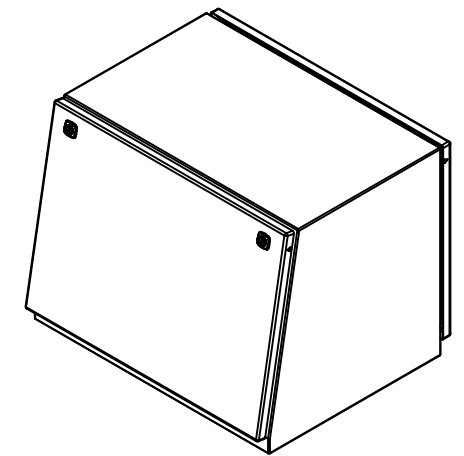


RIGHT



BOTTOM

No.	Revisions	Date	By/Par



Isometric View

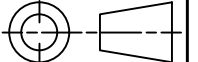


Tél: (450) 979-4373
 Fax: (450) 979-4626
www.exmweb.com

Flatness
Aplatissement

Max 3.0mm

Projection



Customer Client	Date
Drawn By Dessiné Par BoxCad: BoxCad	Date 22-Oct-14
Material Matière 14 Ga Cold Rolled A1008 CS Type B (1.7mm)	
Color Couleur Light Grey RAL7035	Finish Fini Textured
Description 6500MTU 460mm x 600mm x 500mm Assembly	Detail Rev.
Part Number Numéro Pièce 6500MTU0605	Rev. 0

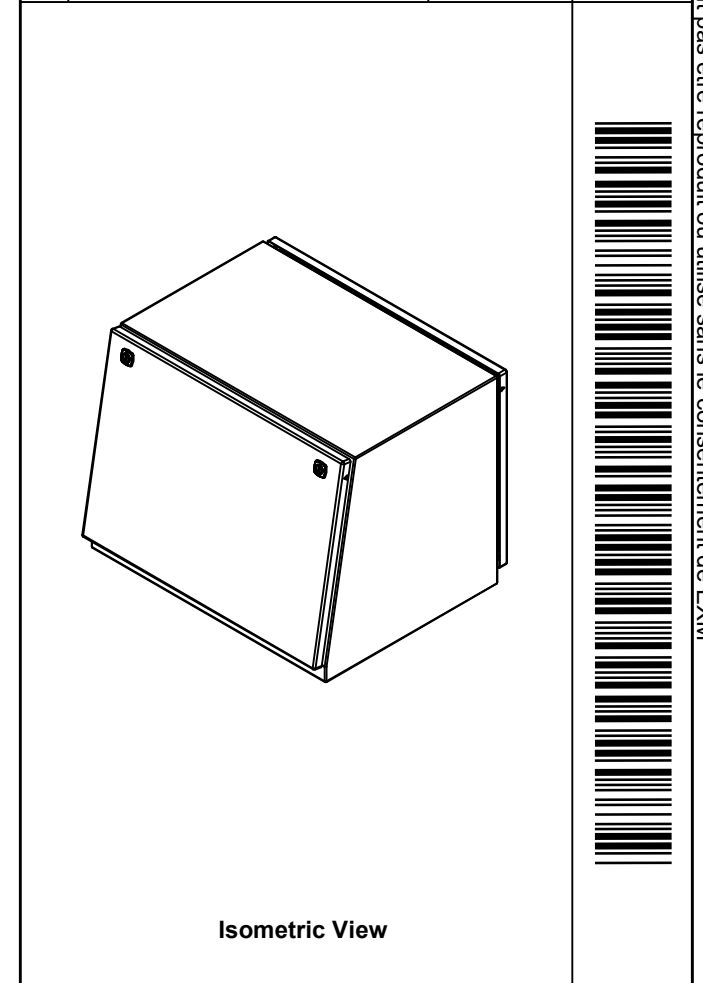
SEE BILL OF MATERIAL ON LAST PAGE


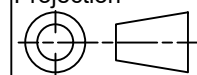
This drawing is confidential and must not be reproduced or used without the consent of EXM

Ce dessin est confidentiel et ne doit pas être reproduit ou utilisé sans le consentement de EXM

NOTE	
ITEM	DESCRIPTION
1	NEMA 12, 13 Enclosure (IP55)
2	C/W Standard ground studs on box and cover
3	C/W Special inner panel (Sold separately)
4	C/W Standard inner panel mounting studs

No.	Revisions	Date	By/Par



 Tél: (450) 979-4373 Fax: (450) 979-4626 www.exmweb.com	Flatness Aplatissement
	Max 3.0mm
Projection	
Customer Client	Date
Drawn By Dessiné Par BoxCad: BoxCad	Date 22-Oct-14
Material Matière 14 Ga Cold Rolled A1008 CS Type B (1.7mm)	

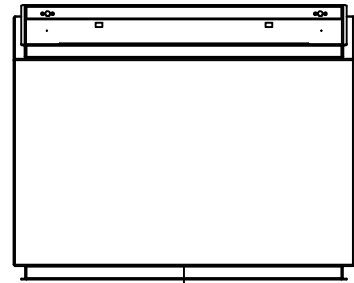
PACKING		
ITEM	QTY	DESCRIPTION
Cardboard corner	2	To reinforced for the plastic strap tightening
Honeycomb angle	4	To protect each corners
Plastic strap- Green	2	To secure the enclosure to the wood pallet
Wood pallet	1	Standard wood pallet
Flat cardboard	1	Between the enclosure and the wood pallet
Packaging label	1	White label with product number

1	6500MTU0605IP	0	6500MTU 460mm x 600mm Inner Panel Part
1	6500MTU0605BD	0	6500MTU 460mm x 600mm Back Cover
1	6500MTU0605FD	0	6500MTU 460mm x 600mm Front Cover
1	6500MTU0605B	0	6500MTU 460mm x 600mm x 500mm Body
4	880 GS115	1	Gas Spring 115N/12Kg/26Lbs
4	STK-Q-04050-07	7	M6 x 7mm Hexagon Socket Head Machine Screw with Nyseal
Qty	Part Number	Rev	Description
Parts List			

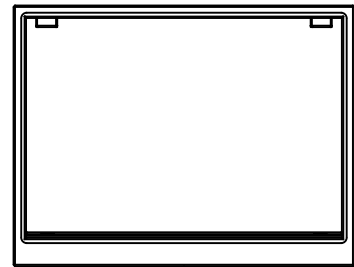
Color Couleur Light Grey RAL7035	Finish Fini Textured
Description 6500MTU 460mm x 600mm x 500mm Assembly	
Part Number Numéro Pièce 6500MTU0605	Detail Rev. Rev. 2
	0
	16

This drawing is confidential and must not be reproduced or used without the consent of EXM

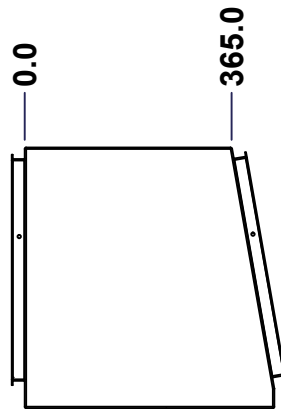
Ce dessin est confidentiel et ne doit pas être reproduit ou utilisé sans le consentement de EXM



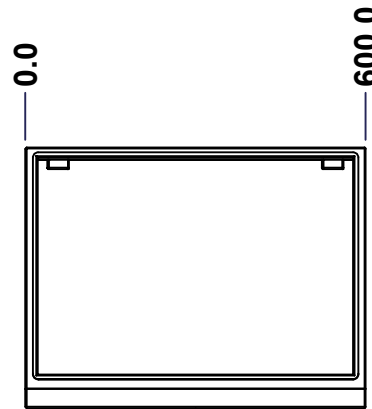
TOP



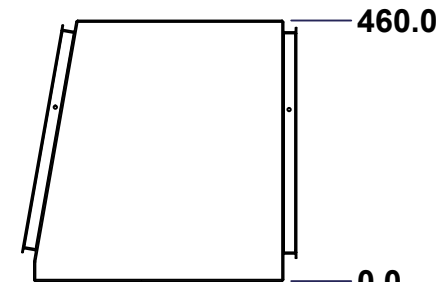
BACK



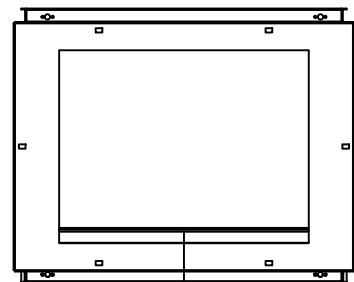
LEFT



FRONT

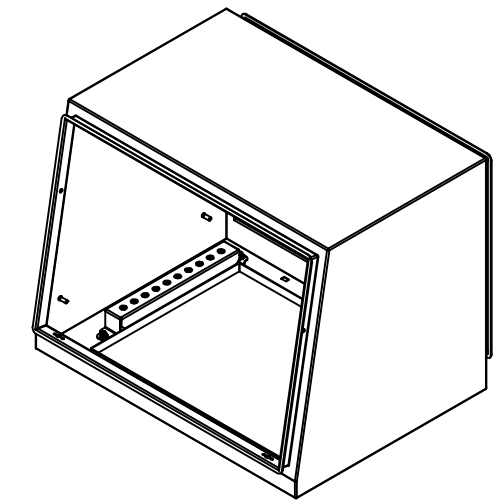


RIGHT



BOTTOM

No.	Revisions	Date	By/Par



Isometric View

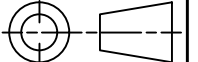


Tél: (450) 979-4373
 Fax: (450) 979-4626
www.exmweb.com

Flatness
Aplatissement

Max 3.0mm

Projection



Customer Client Date

Drawn By / Dessiné Par BoxCad: BoxCad Date 22-Oct-14

Material Matière 14 Ga Cold Rolled A1008 CS Type B (1.7mm)

Color Couleur Light Grey RAL7035 Finish Fini Textured

Description 6500MTU 460mm x 600mm x 500mm Body Detail Rev.

Part Number Numéro Pièce 6500MTU0605B Rev. 3

SEE BILL OF MATERIAL ON LAST PAGE

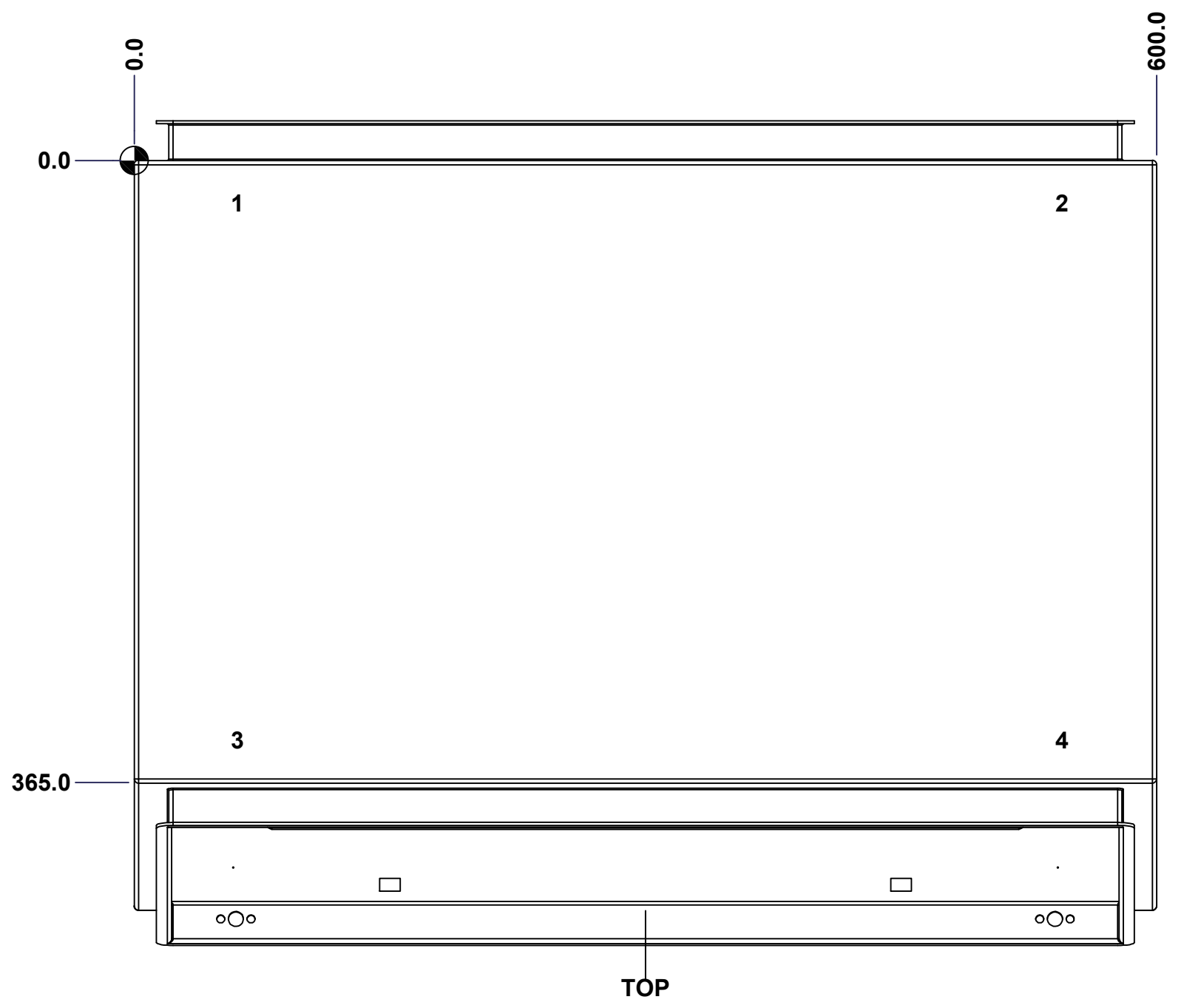
This drawing is confidential and must not be reproduced or used without the consent of EXM

Ce dessin est confidentiel et ne doit pas être reproduit ou utilisé sans le consentement de EXM

STANDARD FEATURES ARE NOT LISTED IN THIS HOLE TABLE

HOLE TABLE - TOP VIEW (CUSTOM FEATURE ONLY)

CUT-OUT	XDIM	YDIM	DESCRIPTION
1	58.0	25.0	STUD M6 x 18mm (Inside)
2	542.0	25.0	STUD M6 x 18mm (Inside)
3	58.0	340.0	STUD M6 x 18mm (Inside)
4	542.0	340.0	STUD M6 x 18mm (Inside)

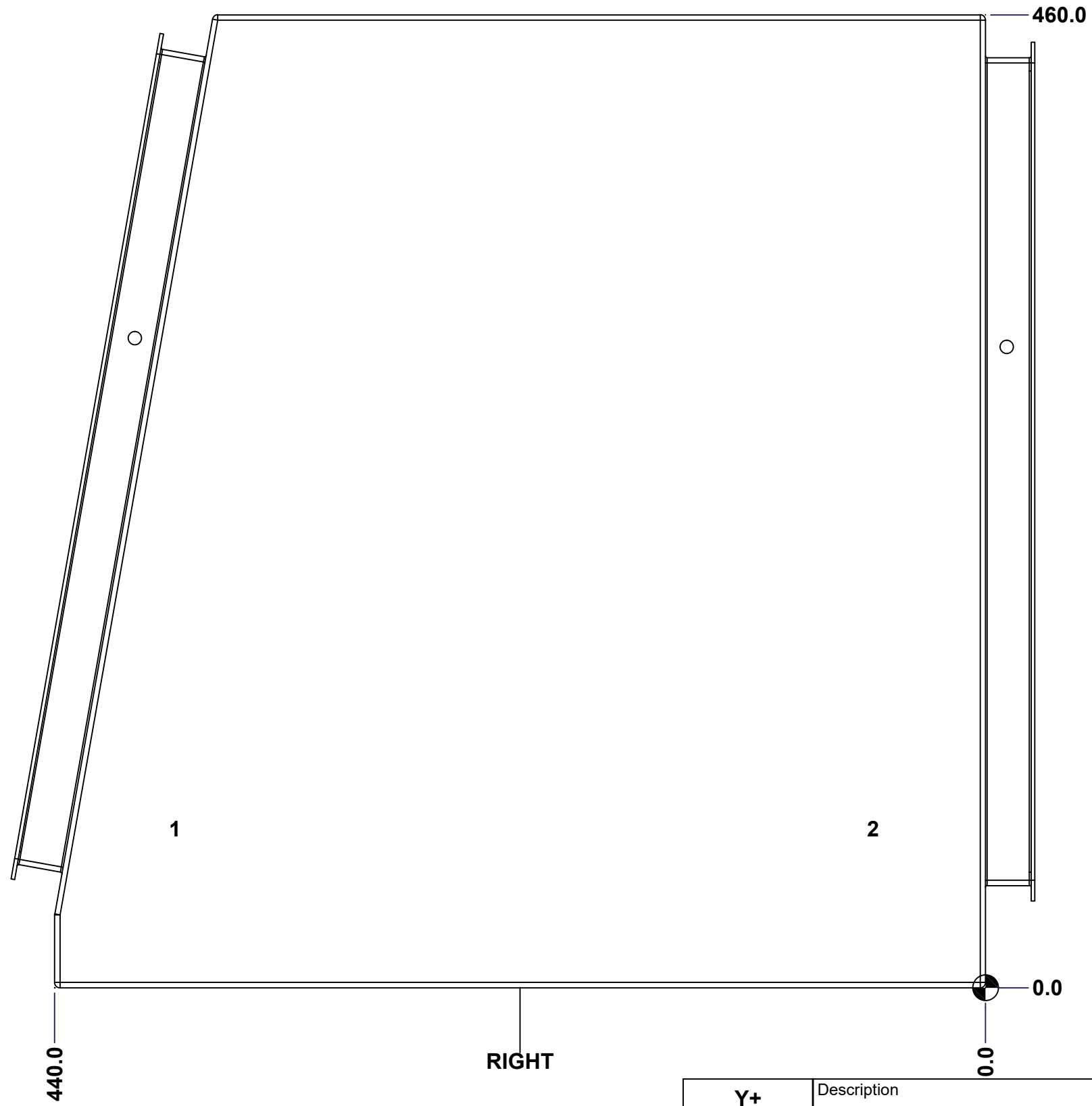


	Description 6500MTU 460mm x 600mm x 500mm Body	Status (NULL)
	Part Number Numéro Pièce 6500MTU0605B	Rev. 4 0

This drawing is confidential and must not be reproduced or used without the consent of EXM

Ce dessin est confidentiel et ne doit pas être reproduit ou utilisé sans le consentement de EXM

STANDARD FEATURES ARE NOT LISTED IN THIS HOLE TABLE			
HOLE TABLE - RIGHT VIEW (CUSTOM FEATURE ONLY)			
CUT-OUT	XDIM	YDIM	DESCRIPTION
1	385.0	75.0	GND STUD M6 x 16mm (Inside)
2	55.0	75.0	GND STUD M6 x 16mm (Inside)



	Description 6500MTU 460mm x 600mm x 500mm Body		Status (NULL)
	Part Number Numéro Pièce 6500MTU0605B		Rev. 5 0

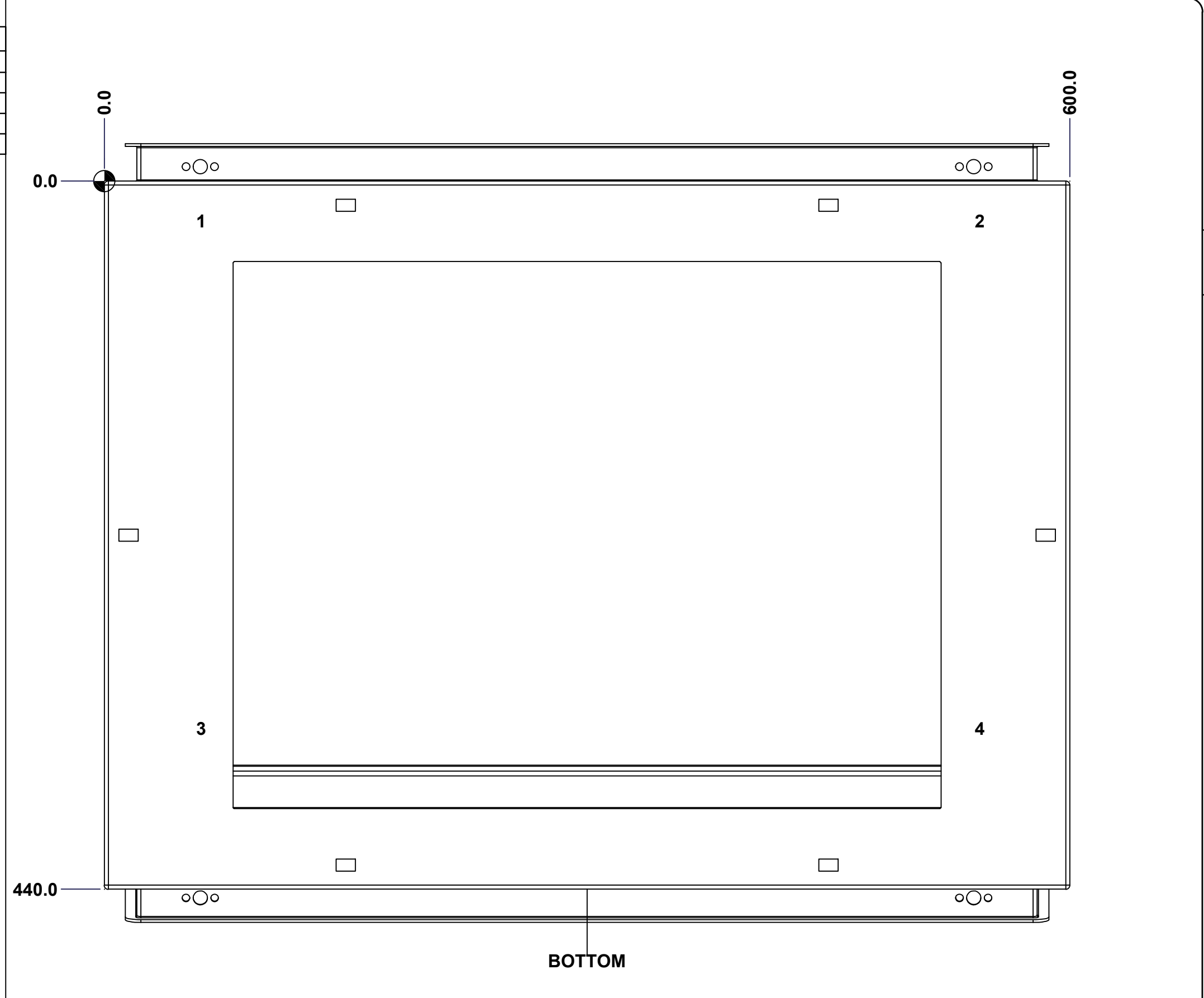
This drawing is confidential and must not be reproduced or used without the consent of EXM

Ce dessin est confidentiel et ne doit pas être reproduit ou utilisé sans le consentement de EXM

STANDARD FEATURES ARE NOT LISTED IN THIS HOLE TABLE

HOLE TABLE - BOTTOM VIEW (CUSTOM FEATURE ONLY)

CUT-OUT	XDIM	YDIM	DESCRIPTION
1	58.0	25.0	STUD M6 x 18mm (Inside)
2	542.0	25.0	STUD M6 x 18mm (Inside)
3	58.0	340.0	STUD M6 x 18mm (Inside)
4	542.0	340.0	STUD M6 x 18mm (Inside)

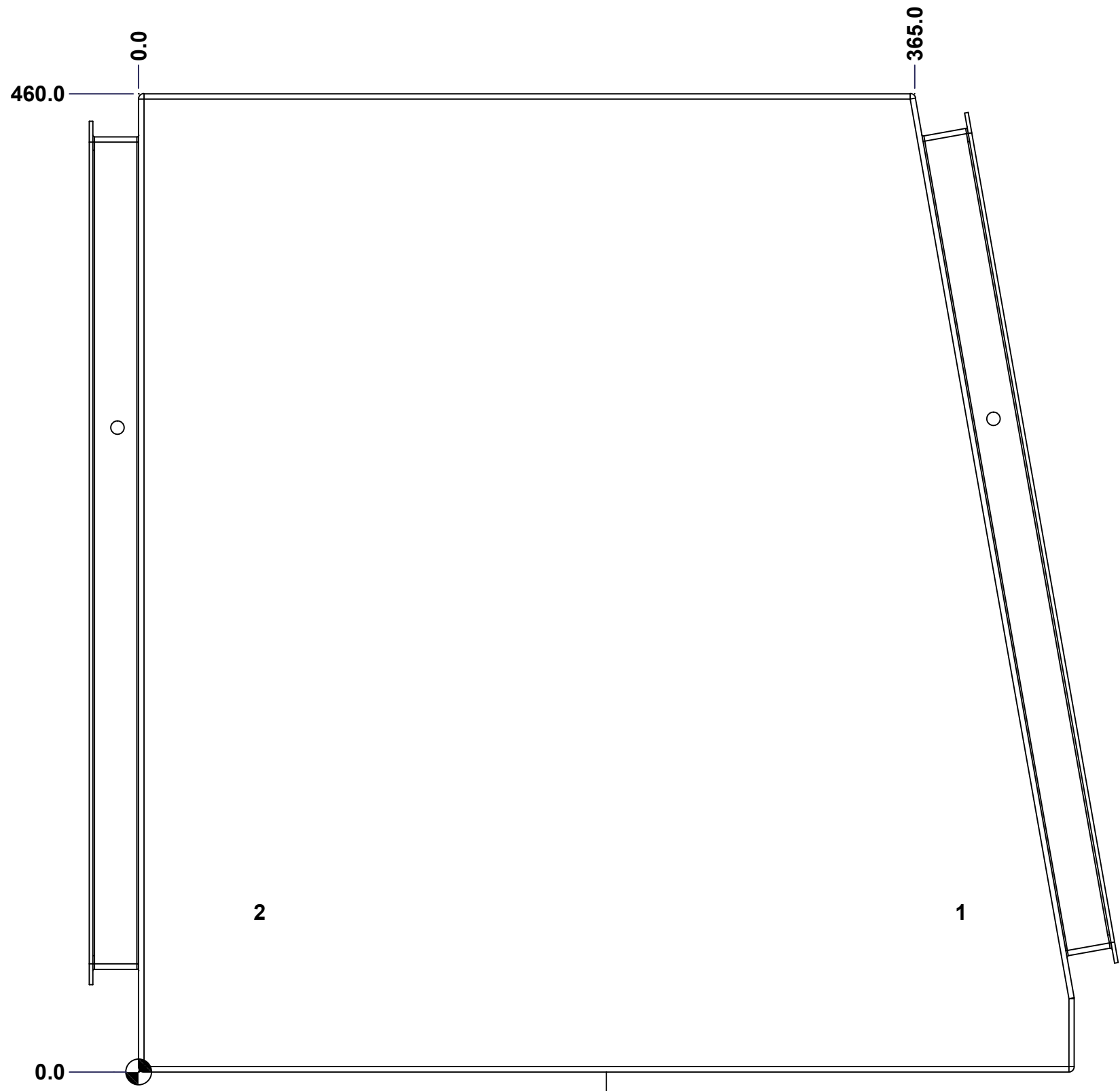


	Description 6500MTU 460mm x 600mm x 500mm Body	Status (NULL)
	Part Number Numéro Pièce 6500MTU0605B	Rev. 6 0

This drawing is confidential and must not be reproduced or used without the consent of EXM

Ce dessin est confidentiel et ne doit pas être reproduit ou utilisé sans le consentement de EXM

STANDARD FEATURES ARE NOT LISTED IN THIS HOLE TABLE			
HOLE TABLE - LEFT VIEW (CUSTOM FEATURE ONLY)			
CUT-OUT	XDIM	YDIM	DESCRIPTION
1	385.0	75.0	GND STUD M6 x 16mm (Inside)
2	55.0	75.0	GND STUD M6 x 16mm (Inside)



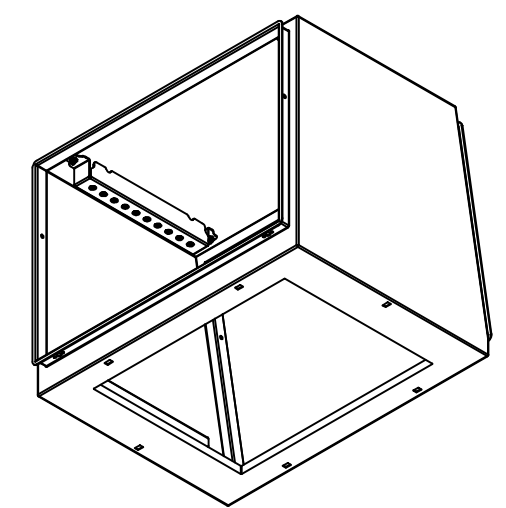
LEFT

	Description 6500MTU 460mm x 600mm x 500mm Body	Status (NULL)
	Part Number Numéro Pièce 6500MTU0605B	Rev. 7 0

This drawing is confidential and must not be reproduced or used without the consent of EXM

Ce dessin est confidentiel et ne doit pas être reproduit ou utilisé sans le consentement de EXM

No.	Revisions	Date	By/Par



Isometric View



Tél: (450) 979-4373
 Fax: (450) 979-4626
www.exmweb.com

Flatness
Aplatissement
Max 3.0mm
Projection

Customer Client	Date
Drawn By / Dessiné Par: BoxCad: BoxCad	Date: 22-Oct-14
Material / Matière: 14 Ga Cold Rolled A1008 CS Type B (1.7mm)	

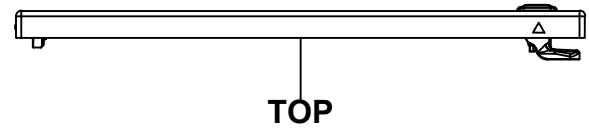
Color / Couleur: Light Grey RAL7035	Finish / Fini: Textured
Description: 6500MTU 460mm x 600mm x 500mm Body	

Qty	Part Number	Rev	Description
4	STK-Q-16080	0	Ground Stud M6 x 16mm Steel
1	STK-P-03820R	0	Powder Paint (Light Grey / Rough Textured)
4	STK-Q-49090-275	2	Mounting Rail 275.0mm
8	STK-Q-16031	0	M6 x 10mm Stud (No Paint Cap Required)
1	6500MTU0605B-P	0	6500MTU 460mm x 600mm x 500mm Body Part
8	STK-Q-07220	1	M6 Nylon Insert Lock Nut
Parts List			

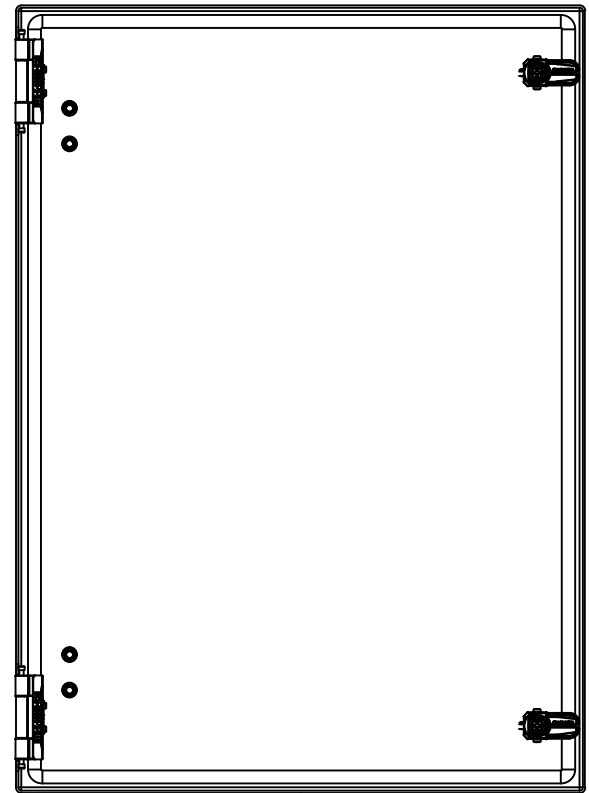
Part Number / Numéro Pièce: 6500MTU0605B	Rev. / Révis: 0	8
		16

This drawing is confidential and must not be reproduced or used without the consent of EXM

Ce dessin est confidentiel et ne doit pas être reproduit ou utilisé sans le consentement de EXM



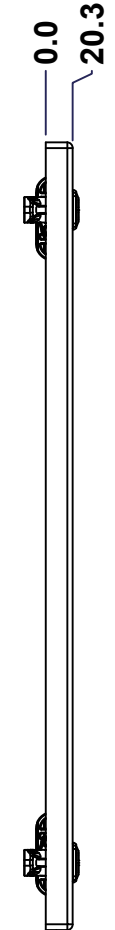
TOP



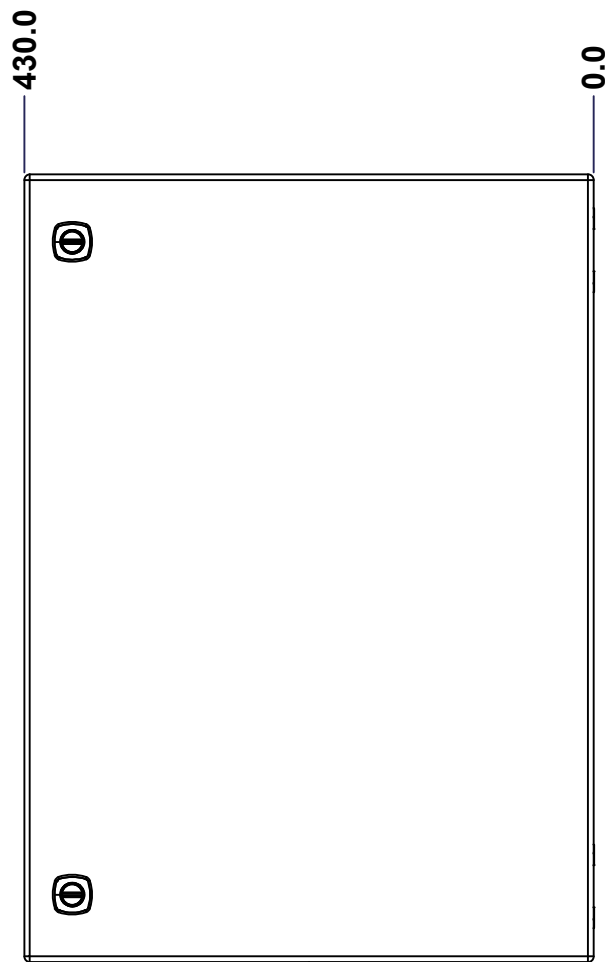
BACK



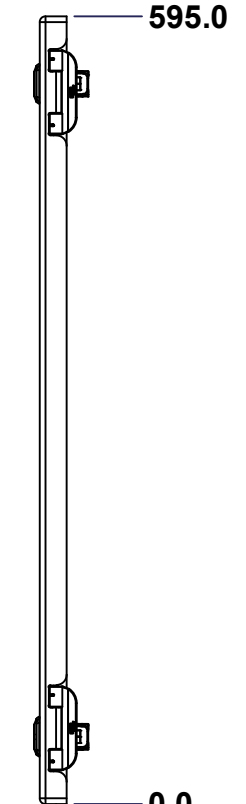
BOTTOM



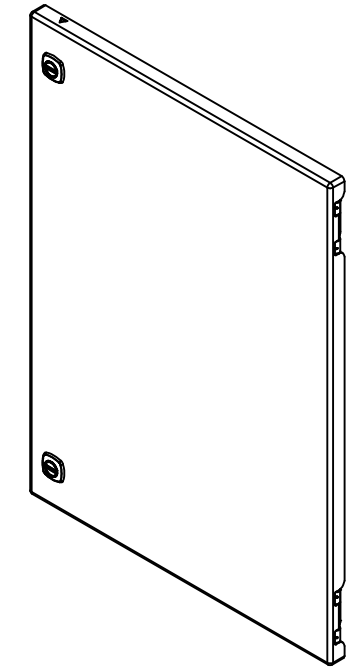
LEFT



FRONT




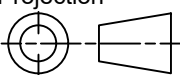
RIGHT



Isometric View



No.	Revisions	Date	By/Par

 Tél: (450) 979-4373 Fax: (450) 979-4626 www.exmweb.com		Flatness Aplatissement Max 3.0mm Projection 
Customer Client	Date	
Drawn By Dessiné Par	BoxCad: BoxCad	Date 22-Oct-14
Material Matière	14 Ga Cold Rolled A1008 CS Type B (1.7mm)	
Color Couleur	Light Grey RAL7035	Finish Fini Textured
Description 6500MTU 460mm x 600mm Front Cover		Detail Rev.
Part Number Numéro Pièce	Rev. 0	9 / 16

SEE BILL OF MATERIAL ON LAST PAGE

6500MTU0605FD

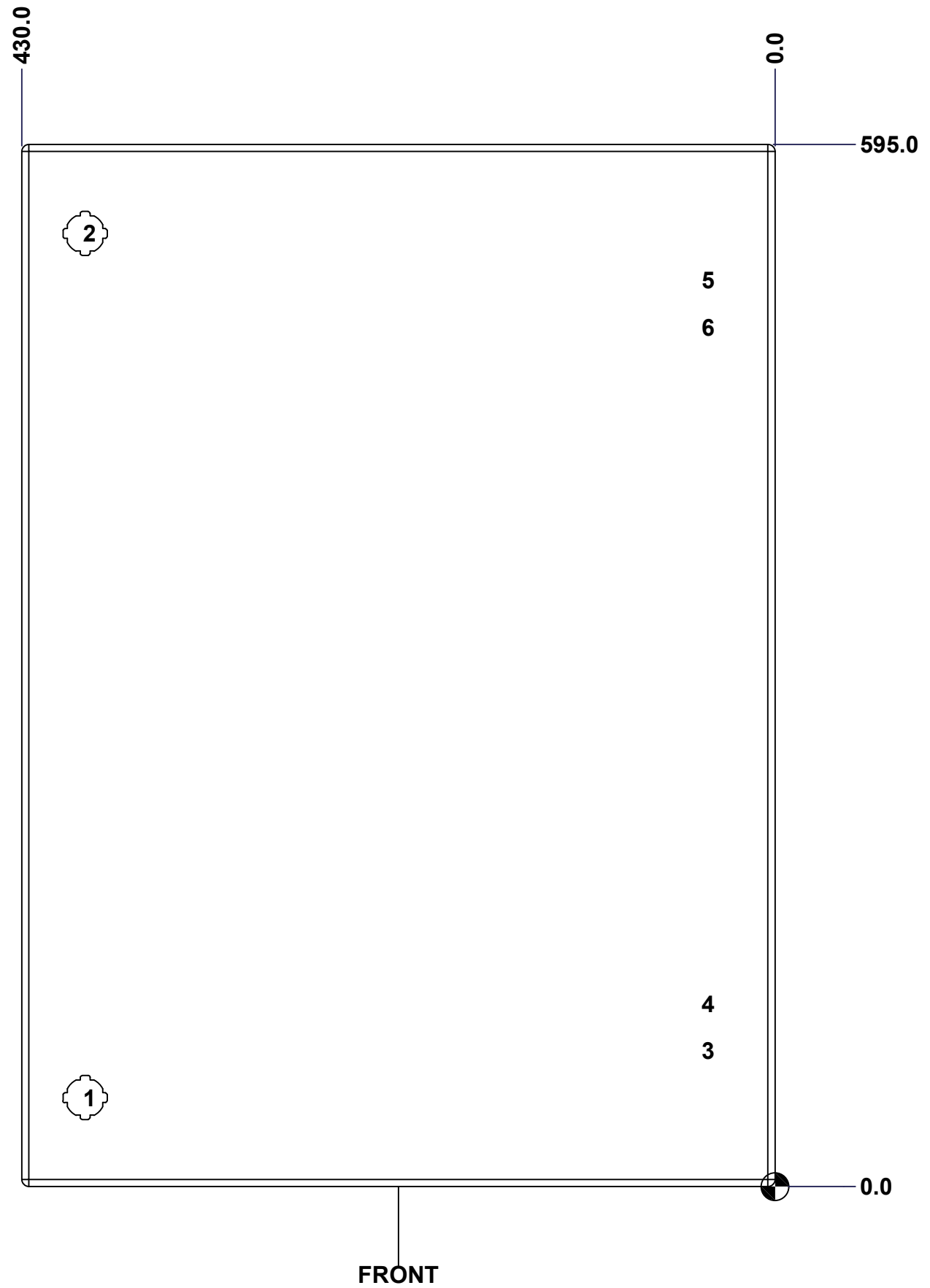
This drawing is confidential and must not be reproduced or used without the consent of EXM

Ce dessin est confidentiel et ne doit pas être reproduit ou utilisé sans le consentement de EXM

STANDARD FEATURES ARE NOT LISTED IN THIS HOLE TABLE

HOLE TABLE - FRONT VIEW (CUSTOM FEATURE ONLY)

CUT-OUT	XDIM	YDIM	DESCRIPTION
1	393.8	50.8	LOCK 880 SCQ4-SL @ 90.0°
2	393.8	544.2	LOCK 880 SCQ4-SL @ 90.0°
3	40.6	77.6	STANDOFF M6 x 10mm (Inside)
4	40.6	104.4	STANDOFF M6 x 10mm (Inside)
5	40.6	517.4	STANDOFF M6 x 10mm (Inside)
6	40.6	490.6	STANDOFF M6 x 10mm (Inside)



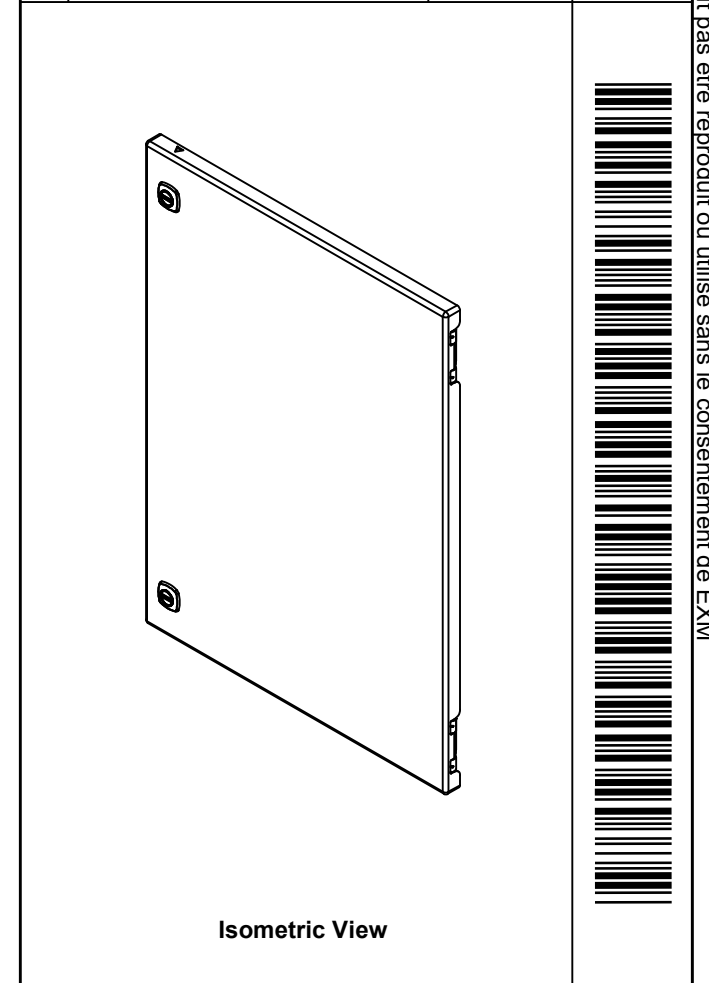
FRONT


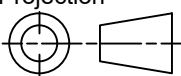
	Description	Status	
	6500MTU 460mm x 600mm Front Cover	(NULL)	
	Part Number Numéro Pièce	Rev.	10
	6500MTU0605FD	0	16

This drawing is confidential and must not be reproduced or used without the consent of EXM

Ce dessin est confidentiel et ne doit pas être reproduit ou utilisé sans le consentement de EXM

No.	Revisions	Date	By/Par

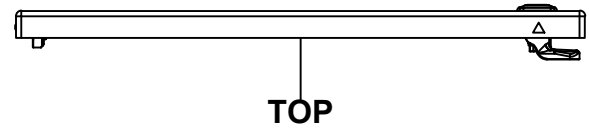


 Tél: (450) 979-4373 Fax: (450) 979-4626 www.exmweb.com		Flatness Aplatissement Max 3.0mm Projection 
Customer Client	Date	
Drawn By Dessiné Par	BoxCad: BoxCad	Date 22-Oct-14
Material Matière	14 Ga Cold Rolled A1008 CS Type B (1.7mm)	
Color Couleur	Light Grey RAL7035	Finish Fini Textured
Description		Detail Rev.
6500MTU 460mm x 600mm Front Cover		
Part Number Numéro Pièce	Rev.	11
6500MTU0605FD	0	16

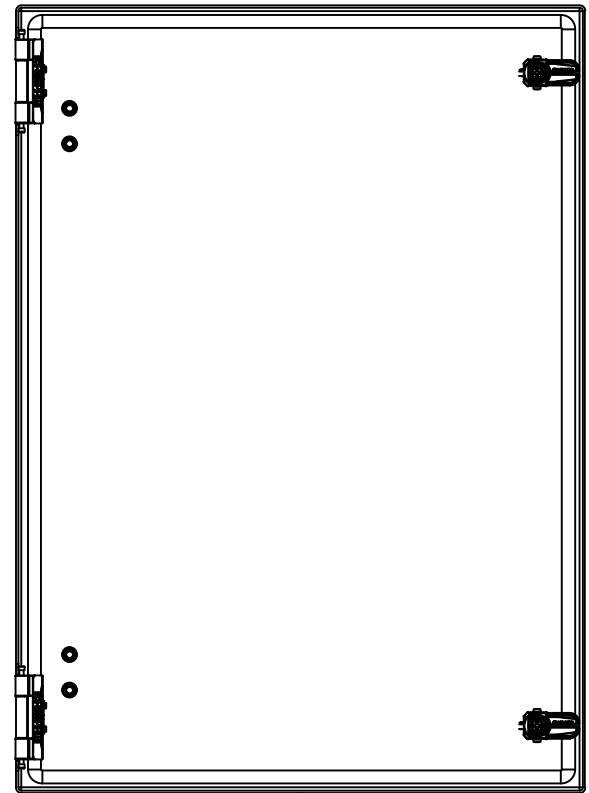
Qty	Part Number	Rev	Description
4	STK-Q-08350	5	Standoff M6 x 10mm
2	STK-K-12500	19	5412 ES 1/4 Turn Lock
1	STK-P-03820R	0	Powder Paint (Light Grey / Rough Textured)
1	6500MTU0605FD-P	0	6500MTU 460mm x 600mm Front Cover Part
1	6500MTU0605FD-G	0	6500MTU 460mm x 600mm Front Cover Gasket
2	STK-K-09800	10	5412 ES Hinge with 2 Captive Hinge Pins
Parts List			

This drawing is confidential and must not be reproduced or used without the consent of EXM

Ce dessin est confidentiel et ne doit pas être reproduit ou utilisé sans le consentement de EXM



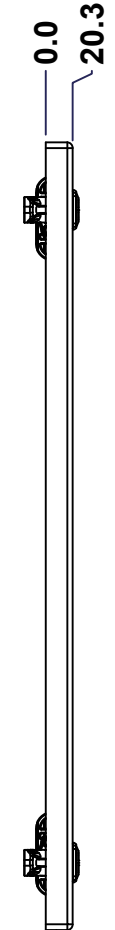
TOP



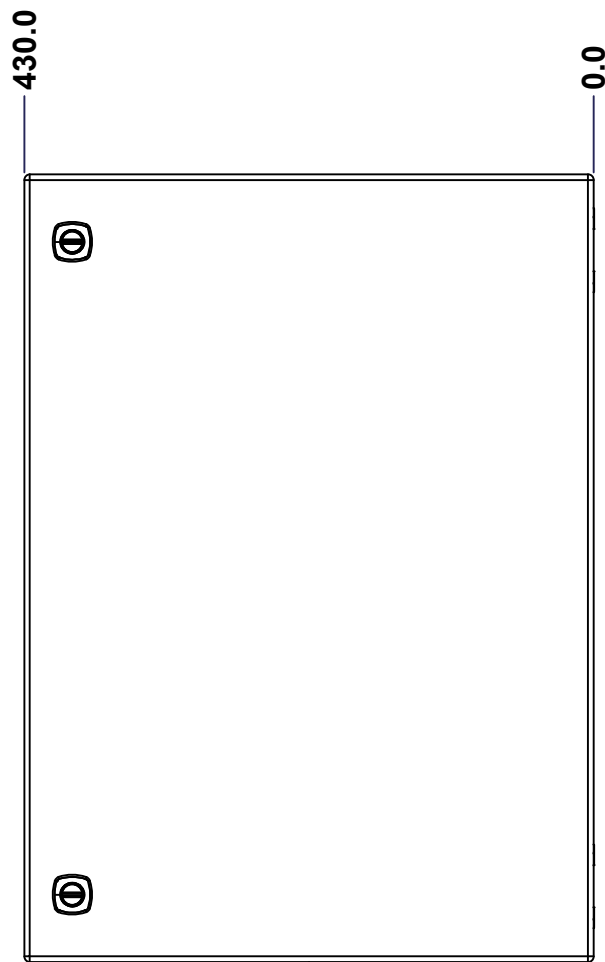
BACK



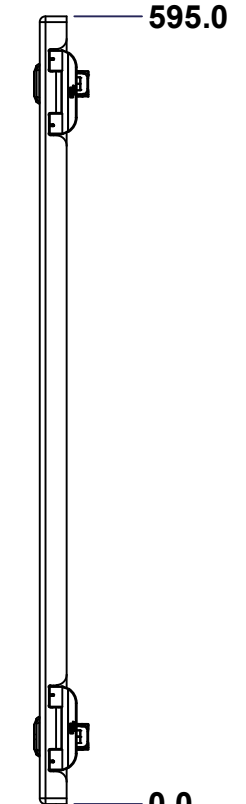
BOTTOM



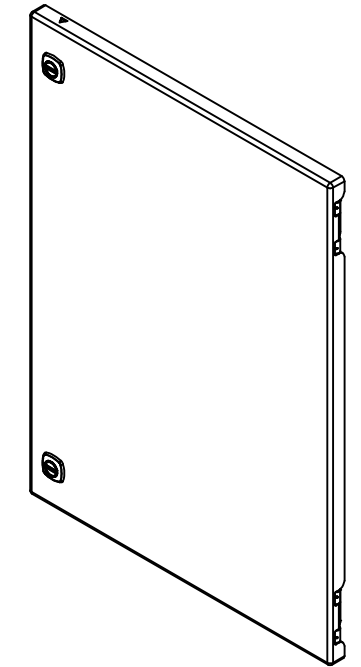
LEFT



FRONT




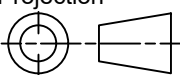
RIGHT



Isometric View



No.	Revisions	Date	By/Par

 Tél: (450) 979-4373 Fax: (450) 979-4626 www.exmweb.com		Flatness Aplatissement Max 3.0mm Projection 
Customer Client	Date	
Drawn By Dessiné Par	BoxCad: BoxCad	Date 22-Oct-14
Material Matière	14 Ga Cold Rolled A1008 CS Type B (1.7mm)	
Color Couleur	Light Grey RAL7035	Finish Fini Textured
Description 6500MTU 460mm x 600mm Back Cover		Detail Rev.
Part Number Numéro Pièce	Rev. 0	12 / 16

SEE BILL OF MATERIAL ON LAST PAGE

6500MTU0605BD

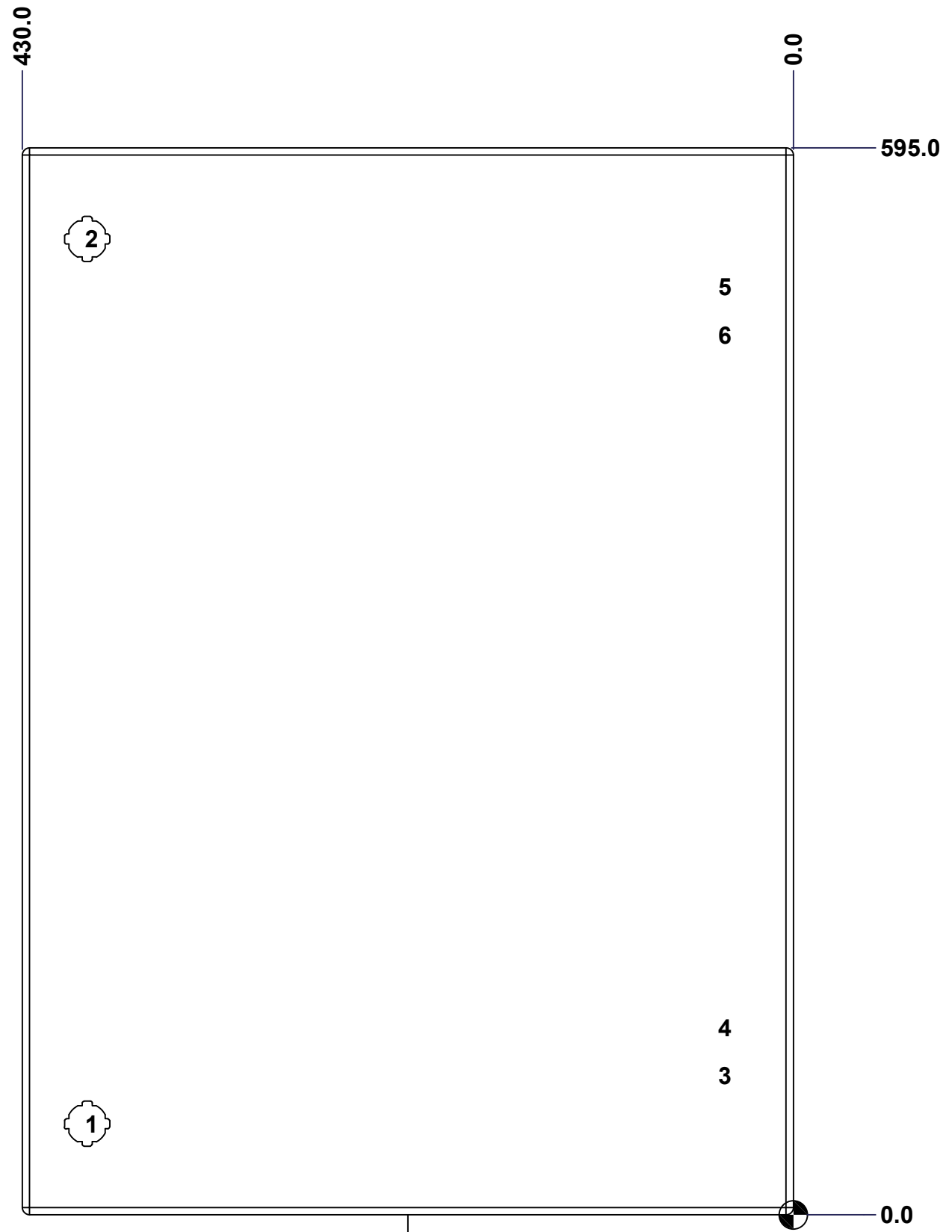
This drawing is confidential and must not be reproduced or used without the consent of EXM

Ce dessin est confidentiel et ne doit pas être reproduit ou utilisé sans le consentement de EXM

STANDARD FEATURES ARE NOT LISTED IN THIS HOLE TABLE

HOLE TABLE - FRONT VIEW (CUSTOM FEATURE ONLY)

CUT-OUT	XDIM	YDIM	DESCRIPTION
1	393.8	50.8	LOCK 880 SCQ4-SL @ 90.0°
2	393.8	544.2	LOCK 880 SCQ4-SL @ 90.0°
3	40.6	77.6	STANDOFF M6 x 10mm (Inside)
4	40.6	104.4	STANDOFF M6 x 10mm (Inside)
5	40.6	517.4	STANDOFF M6 x 10mm (Inside)
6	40.6	490.6	STANDOFF M6 x 10mm (Inside)



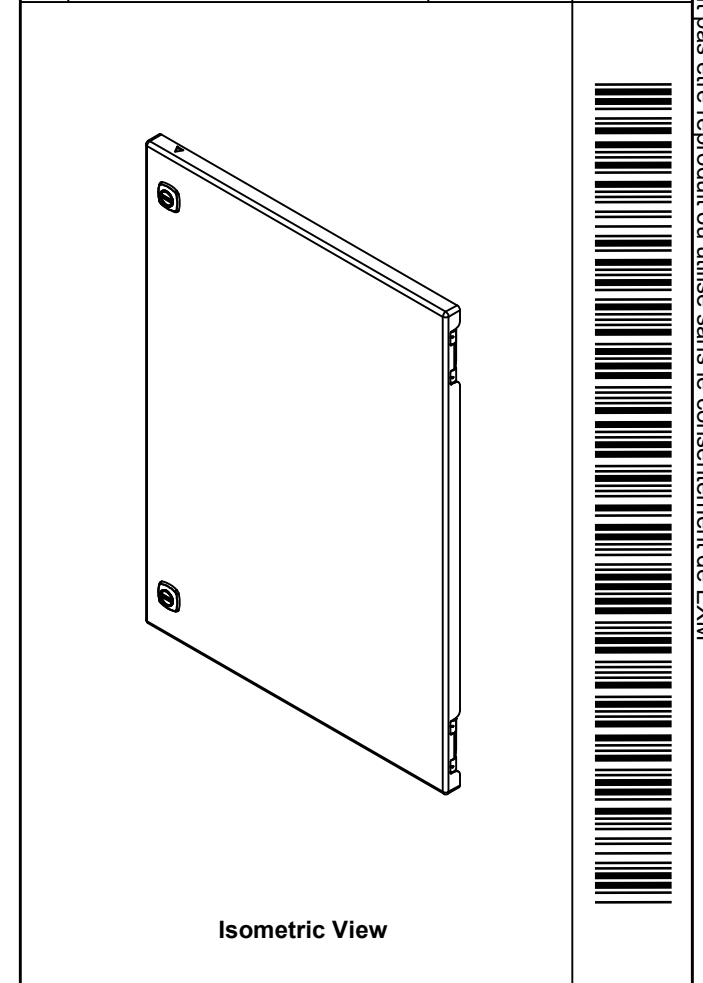
FRONT

	Description 6500MTU 460mm x 600mm Back Cover	Status (NULL)
	Part Number Numéro Pièce 6500MTU0605BD	Rev. 13 0

This drawing is confidential and must not be reproduced or used without the consent of EXM

Ce dessin est confidentiel et ne doit pas être reproduit ou utilisé sans le consentement de EXM

No.	Revisions	Date	By/Par



EXM
www.exmweb.com

Tél: (450) 979-4373
Fax: (450) 979-4626

Flatness
Aplatissement
Max 3.0mm

Projection

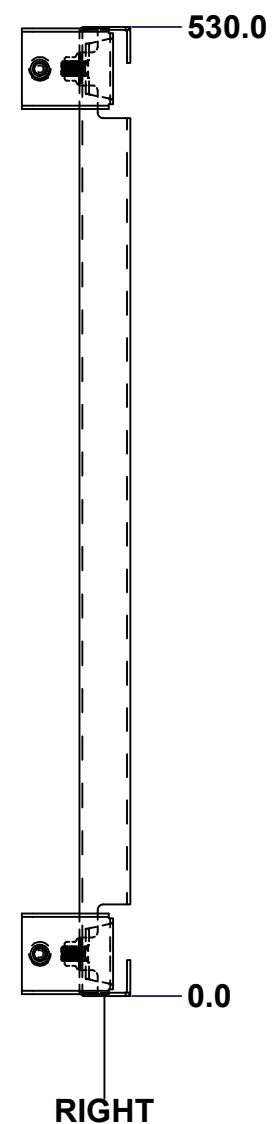
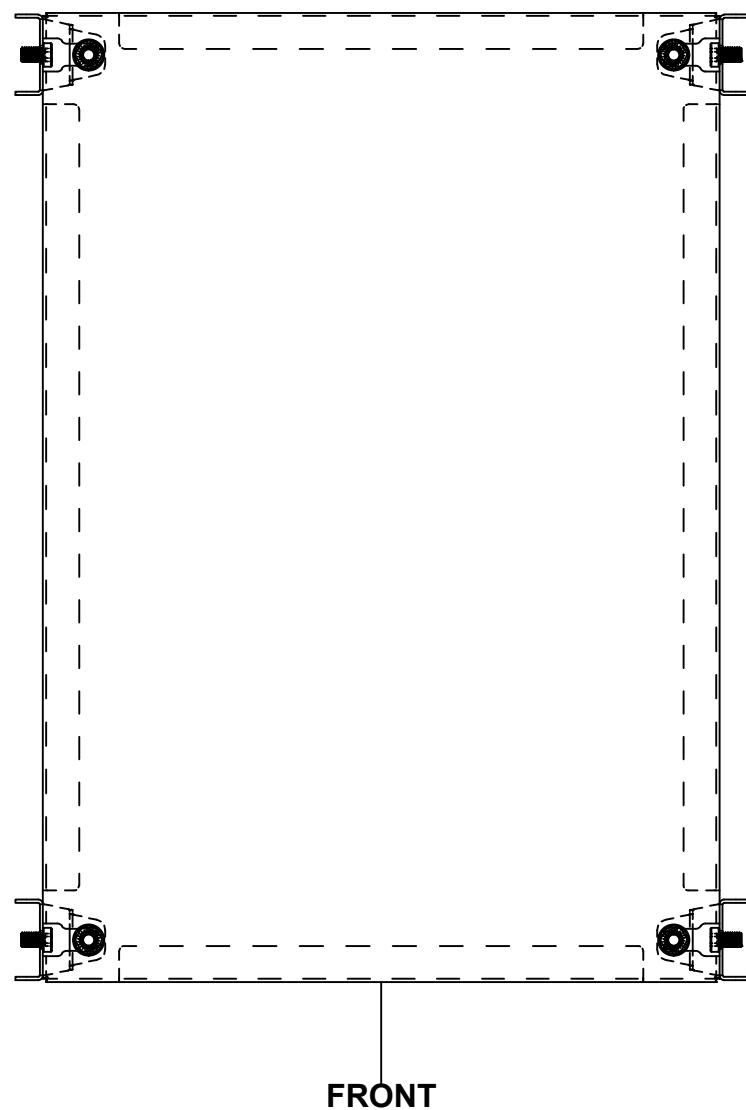
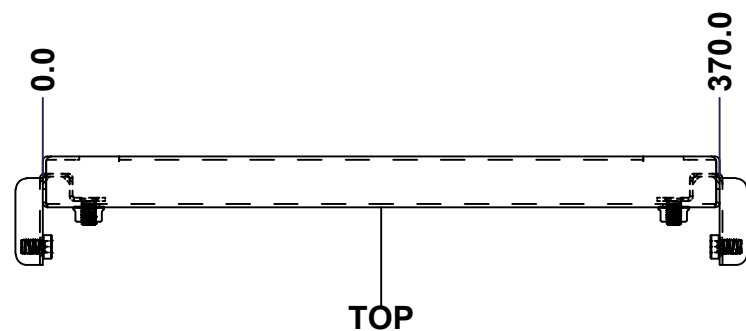
Customer Client	Date
Drawn By / Dessiné Par: BoxCad: BoxCad	Date: 22-Oct-14
Material / Matière: 14 Ga Cold Rolled A1008 CS Type B (1.7mm)	

Color / Couleur: Light Grey RAL7035	Finish / Fini: Textured
Description: 6500MTU 460mm x 600mm Back Cover	
Part Number / Numéro Pièce: 6500MTU0605BD	Rev. 0
	14 / 16

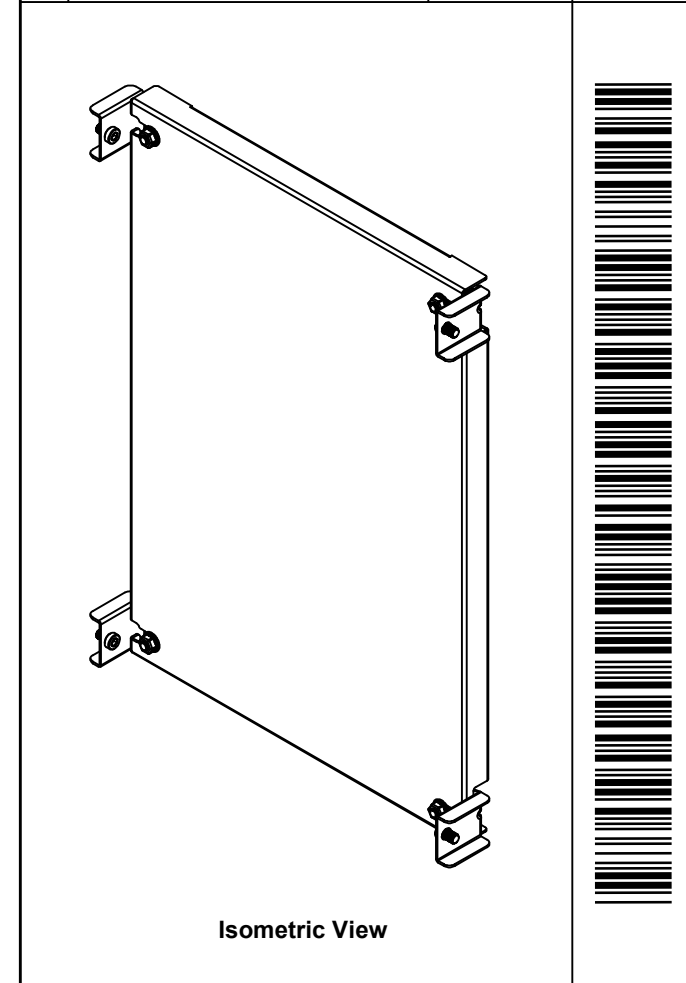
Qty	Part Number	Rev	Description
4	STK-Q-08350	5	Standoff M6 x 10mm
2	STK-K-12500	19	5412 ES 1/4 Turn Lock
1	STK-P-03820R	0	Powder Paint (Light Grey / Rough Textured)
1	6500MTU0605BD-P	0	6500MTU 460mm x 600mm Back Cover Part
1	6500MTU0605BD-G	0	6500MTU 460mm x 600mm Back Cover Gasket
2	STK-K-09800	10	5412 ES Hinge with 2 Captive Hinge Pins
Parts List			


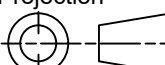
This drawing is confidential and must not be reproduced or used without the consent of EXM

Ce dessin est confidentiel et ne doit pas être reproduit ou utilisé sans le consentement de EXM



No.	Revisions	Date	By/Par



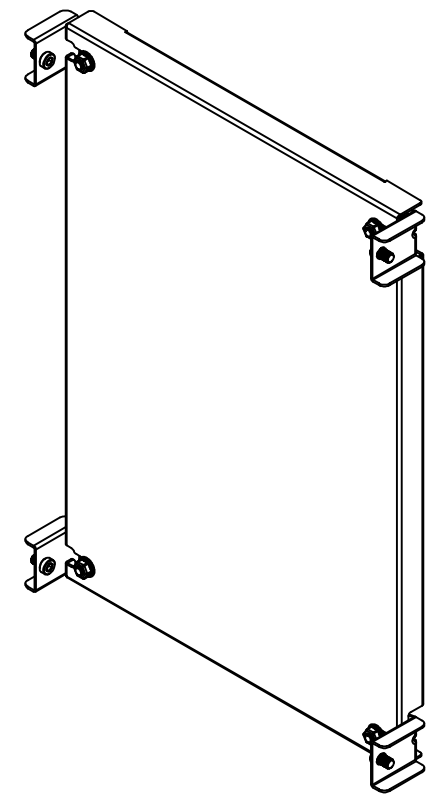
 Tél: (450) 979-4373 Fax: (450) 979-4626 www.exmweb.com		Flatness Aplatissement Max 3.0mm Projection 
Customer Client	Date	
Drawn By Dessiné Par	BoxCad: BoxCad	Date 22-Oct-14
Material Matière	14 Ga Galvanized	
Color Couleur	Unpainted	Finish Fini Textured
Description	Detail Rev.	
6500MTU 460mm x 600mm Inner Panel Part		
Part Number Numéro Pièce	Rev.	15
6500MTU0605IP	0	16

SEE BILL OF MATERIAL ON LAST PAGE

This drawing is confidential and must not be reproduced or used without the consent of EXM


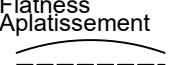
Ce dessin est confidentiel et ne doit pas être reproduit ou utilisé sans le consentement de EXM

No.	Revisions	Date	By/Par



Isometric View



 Tél: (450) 979-4373 Fax: (450) 979-4626 www.exmweb.com		Flatness Aplatissement  Max 3.0mm
Customer Client		Date
Drawn By Dessiné Par BoxCad: BoxCad		Date 22-Oct-14
Material Matière 14 Ga Galvanized		
Color Couleur Unpainted	Finish Fini Textured	
Description 6500MTU 460mm x 600mm Inner Panel Part		Detail Rev.
Part Number Numéro Pièce 6500MTU0605IP		Rev. 16 0

Qty	Part Number	Rev	Description
4	STK-Q-00700	2	M8 x 12mm Hex Socket Cap Screw (DIN 6912)
4	STK-Q-07310	3	Flange Lock Nut M8
1	6500MTU0605IP-P	0	6500MTU 460mm x 600mm Inner Panel Part
4	STK-Q-07640	0	6500 MTU Inner Panel Support Bracket
Parts List			