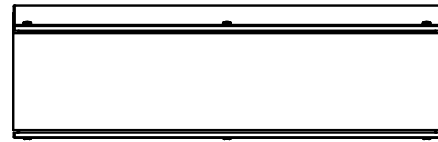
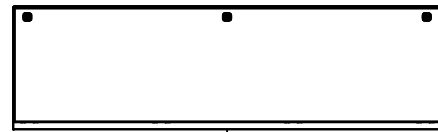


This drawing is confidential and must not be reproduced or used without the consent of EXM

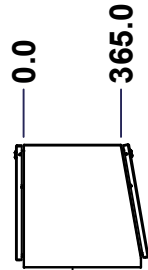
Ce dessin est confidentiel et ne doit pas être reproduit ou utilisé sans le consentement de EXM



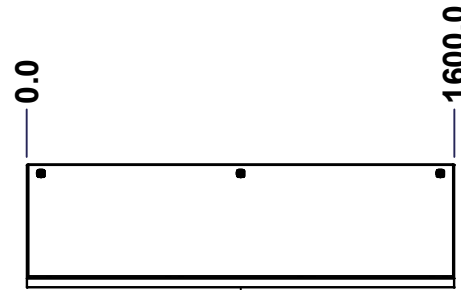
TOP



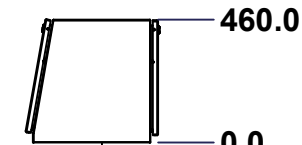
BACK



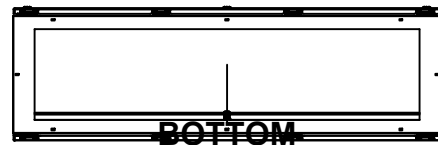
LEFT



FRONT

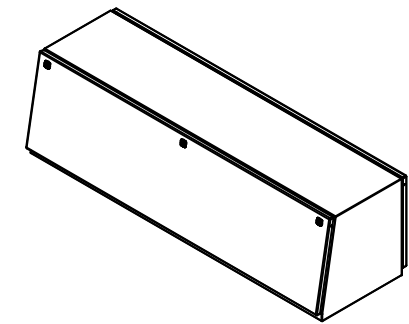


RIGHT



BOTTOM

No.	Revisions	Date	By/Par



Isometric View



Tél: (450) 979-4373  
 Fax: (450) 979-4626  
[www.exmweb.com](http://www.exmweb.com)

Flatness  
Aplatissement

Max 3.0mm

Projection



Customer Client	Date
Drawn By / Dessiné Par: BoxCad: BoxCad	Date: 21-Jul-22
Material / Matière: 14 Ga Cold Rolled A1008 CS Type B (1.7mm)	
Color / Couleur: Light Grey RAL7035	Finish / Fini: Rough Textured
Description: 6500MTU 460mm x 1600mm x 500mm Assembly	
Detail Rev.	
Part Number / Numéro Pièce: 6500MTU1605	Rev. 0
	1 / 14

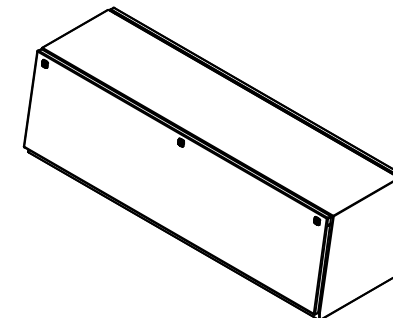
SEE BILL OF MATERIAL ON LAST PAGE

This drawing is confidential and must not be reproduced or used without the consent of EXM

Ce dessin est confidentiel et ne doit pas être reproduit ou utilisé sans le consentement de EXM

NOTE	
ITEM	DESCRIPTION
1	NEMA 12, 13 Enclosure (IP55)
2	C/W Standard ground studs on box and cover
3	C/W Standard inner panel (Included)
4	C/W Standard inner panel mounting studs

No.	Revisions	Date	By/Par



Isometric View



Tél: (450) 979-4373  
 Fax: (450) 979-4626  
[www.exmweb.com](http://www.exmweb.com)

Flatness  
Aplatissement  
Max 3.0mm  
Projection

Customer Client	Date
Drawn By / Dessiné Par: BoxCad: BoxCad	Date: 21-Jul-22
Material / Matière: 14 Ga Cold Rolled A1008 CS Type B (1.7mm)	

Color / Couleur: Light Grey RAL7035	Finish / Fini: Rough Textured
Description: 6500MTU 460mm x 1600mm x 500mm Assembly	Detail Rev.
Part Number / Numéro Pièce: <b>6500MTU1605</b>	Rev. 0 / 2

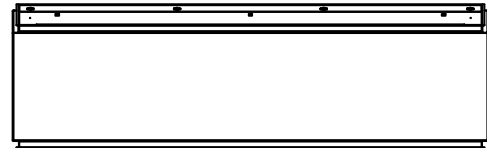
PACKING		
ITEM	QTY	DESCRIPTION
Cardboard corner	2	To reinforced for the plastic strap tightening
Honeycomb angle	4	To protect each corners
Plastic strap- Green	2	To secure the enclosure to the wood pallet
Wood pallet	1	Standard wood pallet
Flat cardboard	1	Between the enclosure and the wood pallet
Packaging label	1	White label with product number

Qty	Part Number	Rev	Description
1	886SP1600MTU	1	Inner Panel
1	6500MTU1605BD	0	6500MTU 460mm x 1600mm Back Cover
1	6500MTU1605FD	0	6500MTU 460mm x 1600mm Front Cover
1	6500MTU1605B	0	6500MTU 460mm x 1600mm x 500mm Body
4	880 GS115	1	Gas Spring 115N/12Kg/26Lbs
8	STK-Q-04050-07	7	M6 x 7mm Hexagon Socket Head Machine Screw with Nyseal

Parts List

This drawing is confidential and must not be reproduced or used without the consent of EXM

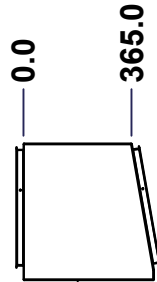
Ce dessin est confidentiel et ne doit pas être reproduit ou utilisé sans le consentement de EXM



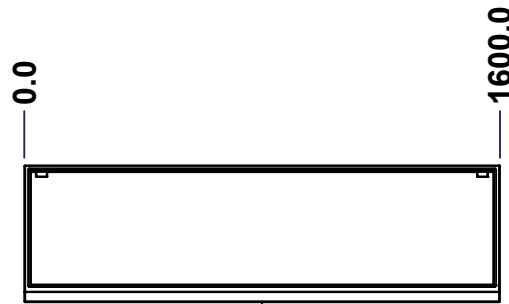
TOP



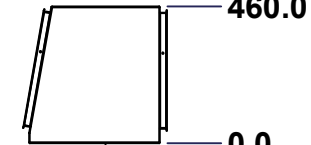
BACK



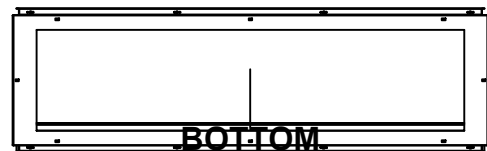
LEFT



FRONT

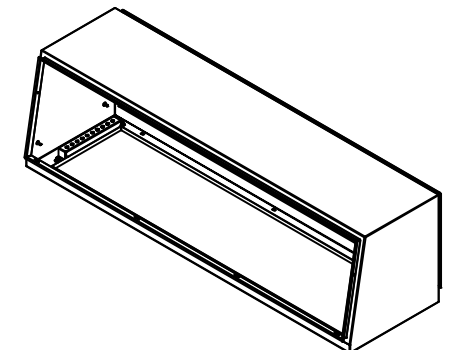


RIGHT



BOTTOM

No.	Revisions	Date	By/Par



Isometric View

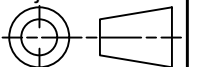


Tél: (450) 979-4373  
 Fax: (450) 979-4626  
[www.exmweb.com](http://www.exmweb.com)

Flatness  
Aplatissement

Max 3.0mm

Projection



Customer Client	Date
Drawn By / Dessiné Par: BoxCad: BoxCad	Date: 21-Jul-22
Material / Matière: 14 Ga Cold Rolled A1008 CS Type B (1.7mm)	
Color / Couleur: Light Grey RAL7035	Finish / Fini: Rough Textured
Description: 6500MTU 460mm x 1600mm x 500mm Body	
Part Number / Numéro Pièce: 6500MTU1605B	Detail Rev. / Rev. 3

SEE BILL OF MATERIAL ON LAST PAGE

**6500MTU1605B**

Rev. 0 / 14

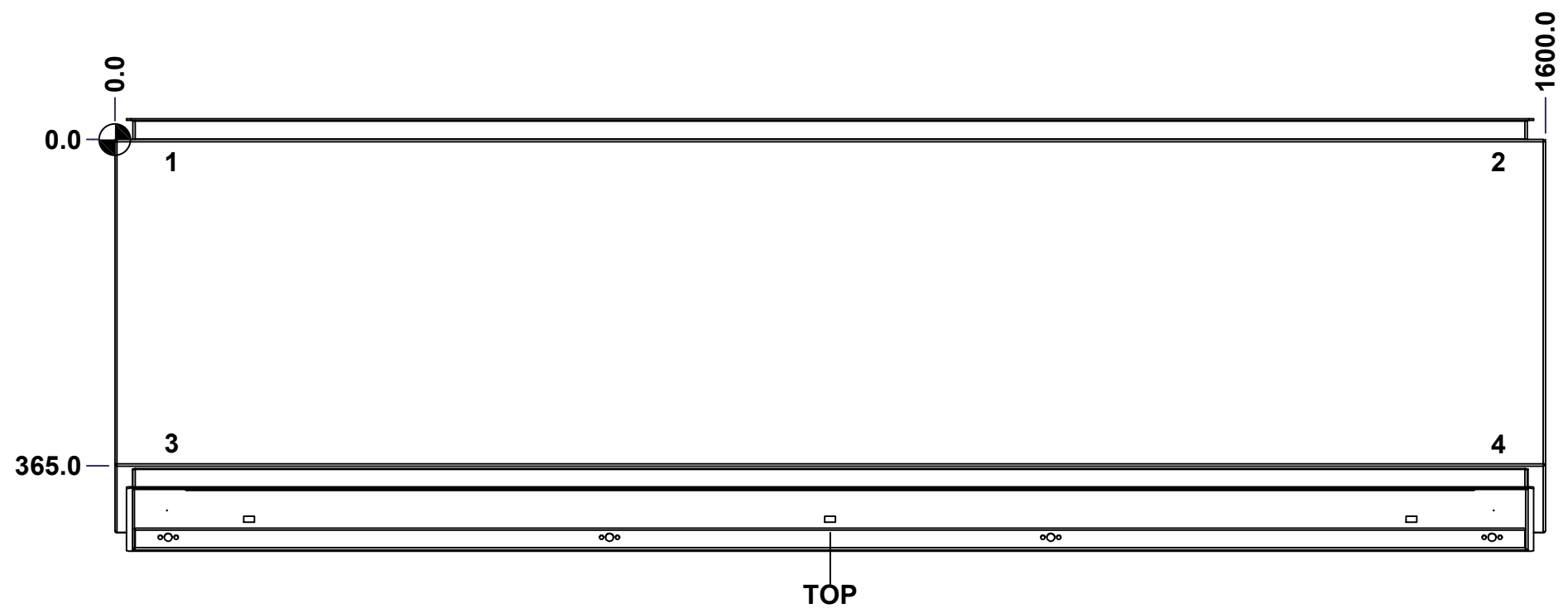
This drawing is confidential and must not be reproduced or used without the consent of EXM

Ce dessin est confidentiel et ne doit pas être reproduit ou utilisé sans le consentement de EXM

**STANDARD FEATURES ARE NOT LISTED IN THIS HOLE TABLE**

**HOLE TABLE - TOP VIEW (CUSTOM FEATURE ONLY)**

CUT-OUT	XDIM	YDIM	DESCRIPTION
1	58.0	25.0	STUD M6 x 18mm (Inside)
2	1542.0	25.0	STUD M6 x 18mm (Inside)
3	58.0	340.0	STUD M6 x 18mm (Inside)
4	1542.0	340.0	STUD M6 x 18mm (Inside)

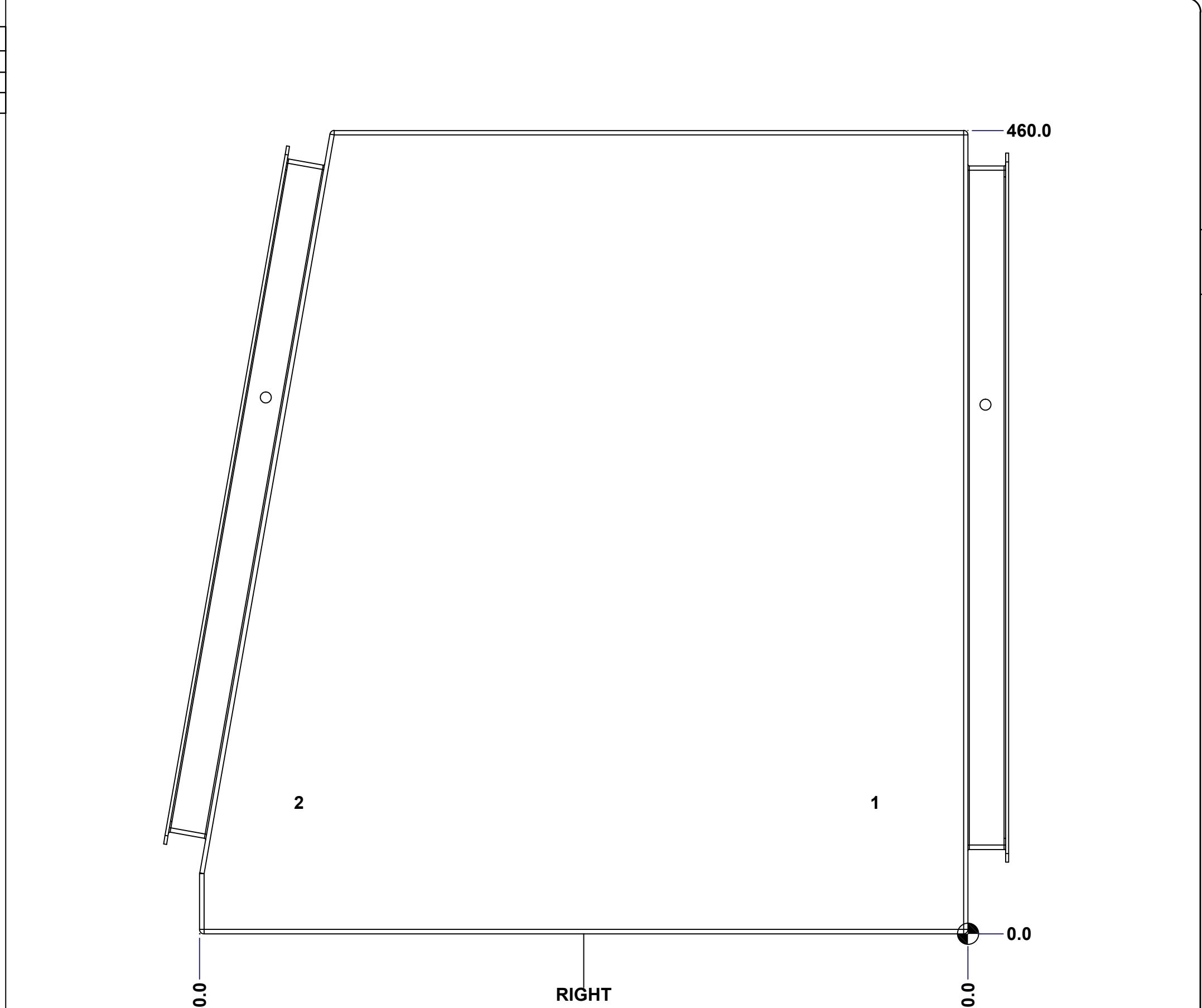


	Description 6500MTU 460mm x 1600mm x 500mm Body	Status (NULL)
	Part Number Numéro Pièce <b>6500MTU1605B</b>	Rev. 4 <b>0</b>

This drawing is confidential and must not be reproduced or used without the consent of EXM

Ce dessin est confidentiel et ne doit pas être reproduit ou utilisé sans le consentement de EXM

STANDARD FEATURES ARE NOT LISTED IN THIS HOLE TABLE			
HOLE TABLE - RIGHT VIEW (CUSTOM FEATURE ONLY)			
CUT-OUT	XDIM	YDIM	DESCRIPTION
1	55.0	75.0	GND STUD M6 x 16mm (Inside)
2	385.0	75.0	GND STUD M6 x 16mm (Inside)



	Description 6500MTU 460mm x 1600mm x 500mm Body		Status (NULL)
	Part Number Numéro Pièce <b>6500MTU1605B</b>		Rev. 5 <b>0</b> / 14

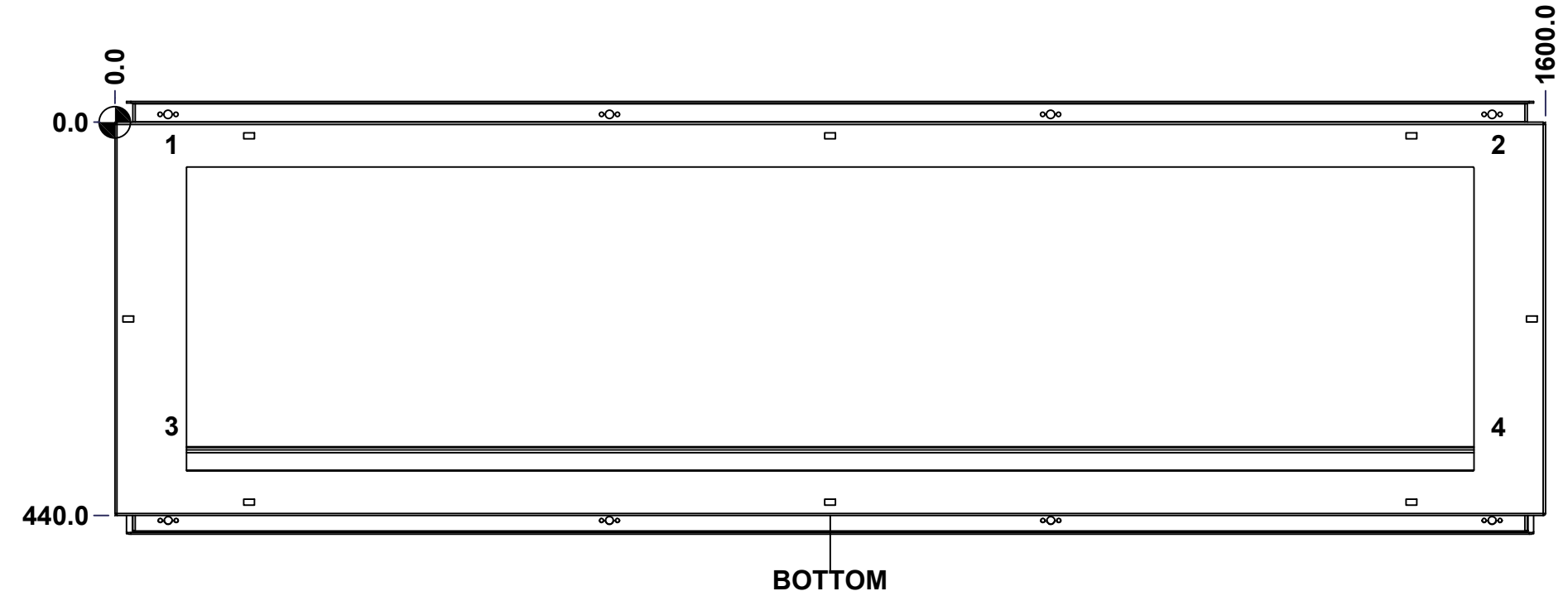
This drawing is confidential and must not be reproduced or used without the consent of EXM

Ce dessin est confidentiel et ne doit pas être reproduit ou utilisé sans le consentement de EXM

**STANDARD FEATURES ARE NOT LISTED IN THIS HOLE TABLE**

**HOLE TABLE - BOTTOM VIEW (CUSTOM FEATURE ONLY)**

CUT-OUT	XDIM	YDIM	DESCRIPTION
1	58.0	25.0	STUD M6 x 18mm (Inside)
2	1542.0	25.0	STUD M6 x 18mm (Inside)
3	58.0	340.0	STUD M6 x 18mm (Inside)
4	1542.0	340.0	STUD M6 x 18mm (Inside)

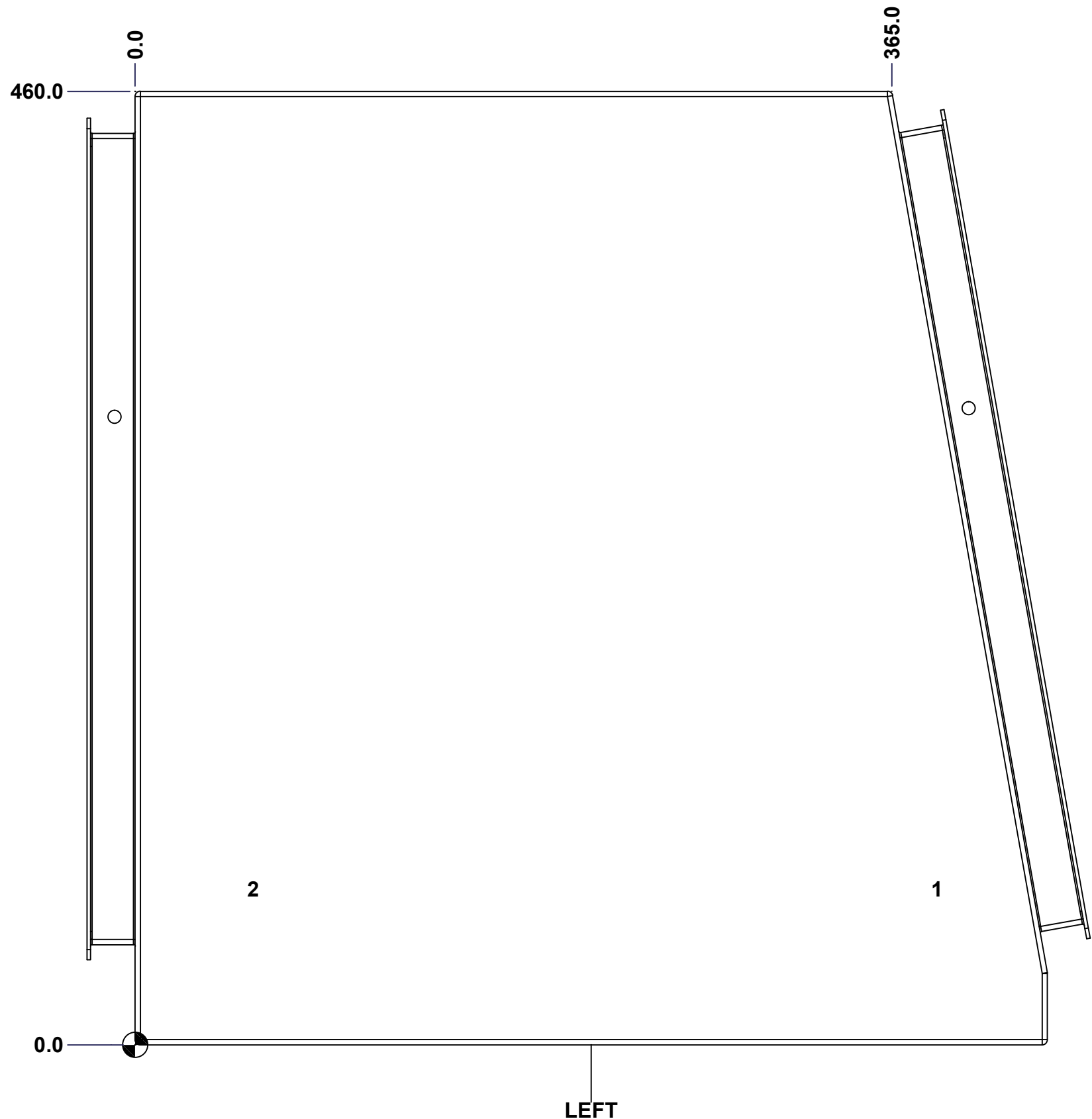


	Description 6500MTU 460mm x 1600mm x 500mm Body	Status (NULL)
	Part Number Numéro Pièce <b>6500MTU1605B</b>	Rev. 6 <b>0</b>

This drawing is confidential and must not be reproduced or used without the consent of EXM

Ce dessin est confidentiel et ne doit pas être reproduit ou utilisé sans le consentement de EXM

<b>STANDARD FEATURES ARE NOT LISTED IN THIS HOLE TABLE</b>			
<b>HOLE TABLE - LEFT VIEW (CUSTOM FEATURE ONLY)</b>			
CUT-OUT	XDIM	YDIM	DESCRIPTION
1	385.0	75.0	GND STUD M6 x 16mm (Inside)
2	55.0	75.0	GND STUD M6 x 16mm (Inside)

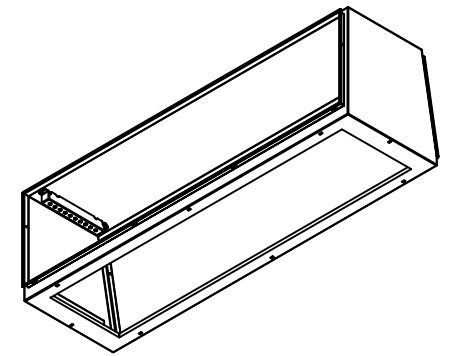


	Description 6500MTU 460mm x 1600mm x 500mm Body		Status (NULL)
	Part Number Numéro Pièce <b>6500MTU1605B</b>		Rev. 7 <b>0</b>

This drawing is confidential and must not be reproduced or used without the consent of EXM

Ce dessin est confidentiel et ne doit pas être reproduit ou utilisé sans le consentement de EXM

No.	Revisions	Date	By/Par



Isometric View

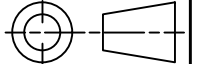


Tél: (450) 979-4373  
 Fax: (450) 979-4626  
[www.exmweb.com](http://www.exmweb.com)

Flatness  
Aplatissement

Max 3.0mm

Projection



Customer Client	Date
Drawn By / Dessiné Par: BoxCad: BoxCad	Date: 21-Jul-22
Material / Matière: 14 Ga Cold Rolled A1008 CS Type B (1.7mm)	

Color / Couleur: Light Grey RAL7035	Finish / Fini: Rough Textured
-------------------------------------	-------------------------------

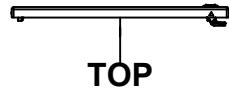
Description: 6500MTU 460mm x 1600mm x 500mm Body	Detail Rev.
--	-------------

Part Number / Numéro Pièce: <b>6500MTU1605B</b>	Rev. / Révis: <b>0</b>	8
		14

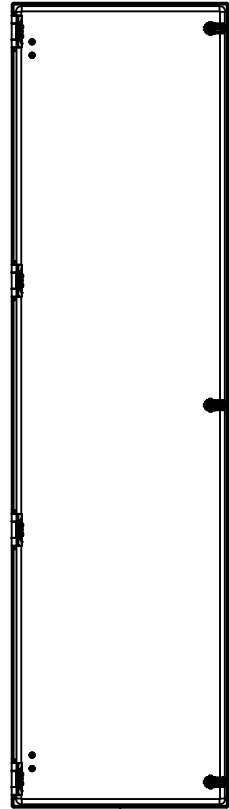
Qty	Part Number	Rev	Description
4	STK-Q-16080	0	Ground Stud M6 x 16mm Steel
1	STK-P-03820R	0	Powder Paint (Light Grey / Rough Textured)
4	STK-Q-49090-275	2	Mounting Rail 275.0mm
8	STK-Q-16031	0	M6 x 10mm Stud (No Paint Cap Required)
1	6500MTU1605B-P	0	6500MTU 460mm x 1600mm x 500mm Body Part
8	STK-Q-07220	1	M6 Nylon Insert Lock Nut
Parts List			

This drawing is confidential and must not be reproduced or used without the consent of EXM

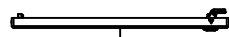
Ce dessin est confidentiel et ne doit pas être reproduit ou utilisé sans le consentement de EXM



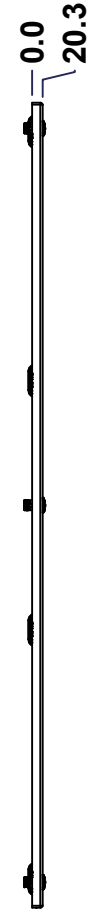
TOP



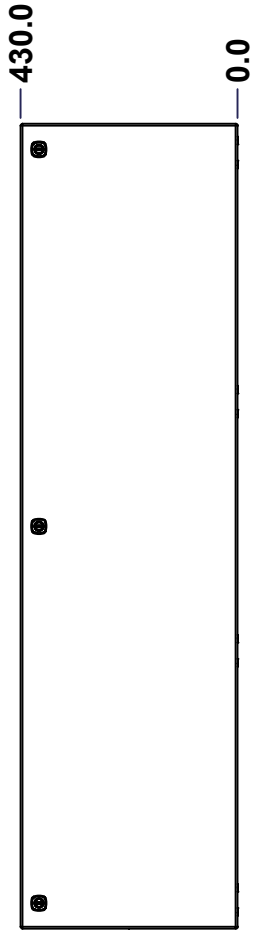
BACK



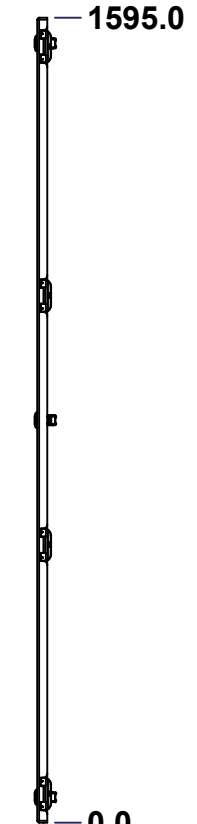
BOTTOM



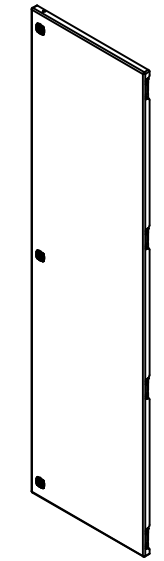
LEFT



FRONT




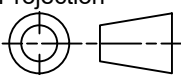
RIGHT



Isometric View



No.	Revisions	Date	By/Par

 Tél: (450) 979-4373 Fax: (450) 979-4626 <a href="http://www.exmweb.com">www.exmweb.com</a>		Flatness Aplatissement Max 3.0mm Projection 
Customer Client	Date	
Drawn By Dessiné Par	BoxCad: BoxCad	Date 21-Jul-22
Material Matière	14 Ga Cold Rolled A1008 CS Type B (1.7mm)	
Color Couleur	Light Grey RAL7035	Finish Fini Rough Textured
Description	Detail Rev.	
6500MTU 460mm x 1600mm Front Cover		
Part Number Numéro Pièce	Rev.	9
<b>6500MTU1605FD</b>	<b>0</b>	14

SEE BILL OF MATERIAL ON LAST PAGE

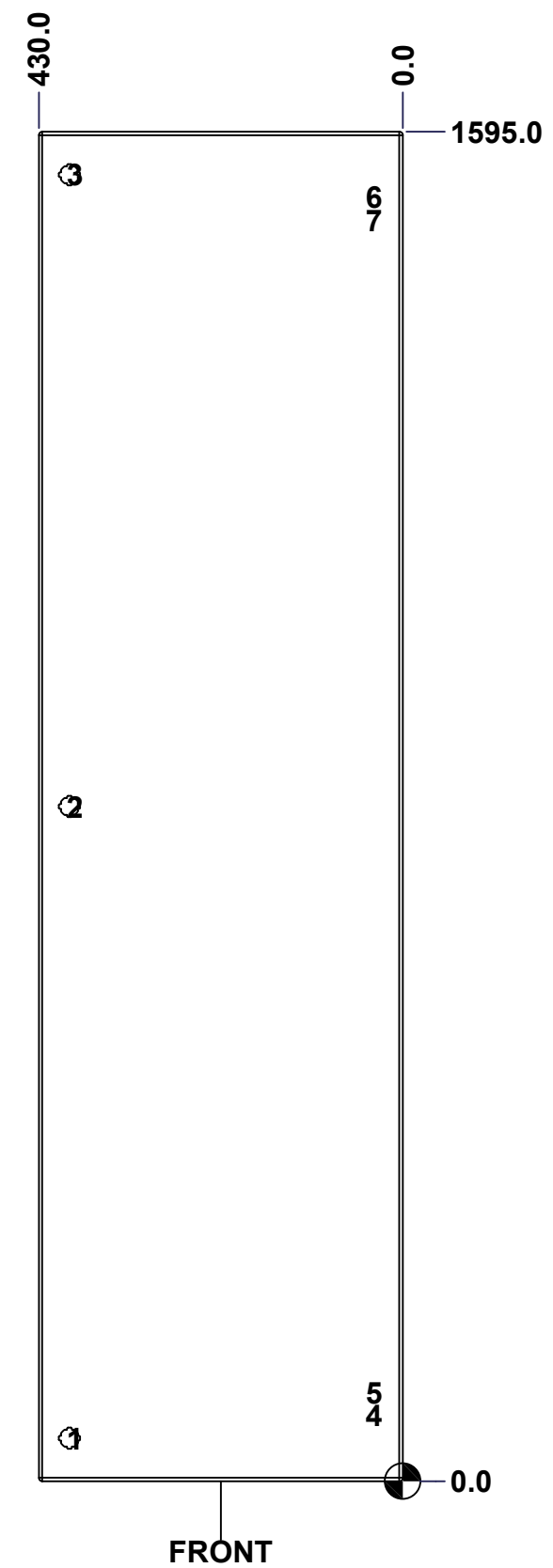
This drawing is confidential and must not be reproduced or used without the consent of EXM

Ce dessin est confidentiel et ne doit pas être reproduit ou utilisé sans le consentement de EXM

**STANDARD FEATURES ARE NOT LISTED IN THIS HOLE TABLE**

**HOLE TABLE - FRONT VIEW (CUSTOM FEATURE ONLY)**

CUT-OUT	XDIM	YDIM	DESCRIPTION
1	393.8	50.8	LOCK 880 SCQ4-SL @ 90.0°
2	393.8	797.5	LOCK 880 SCQ4-SL @ 90.0°
3	393.8	1544.2	LOCK 880 SCQ4-SL @ 90.0°
4	40.6	77.6	STANDOFF M6 x 10mm (Inside)
5	40.6	104.4	STANDOFF M6 x 10mm (Inside)
6	40.6	1517.4	STANDOFF M6 x 10mm (Inside)
7	40.6	1490.6	STANDOFF M6 x 10mm (Inside)

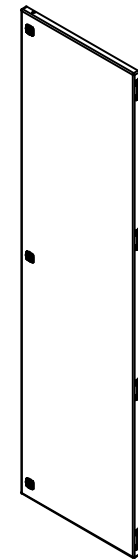


	Description 6500MTU 460mm x 1600mm Front Cover	Status (NULL)
	Part Number Numéro Pièce <b>6500MTU1605FD</b>	Rev. 10 <b>0</b>

This drawing is confidential and must not be reproduced or used without the consent of EXM


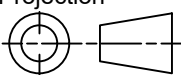
Ce dessin est confidentiel et ne doit pas être reproduit ou utilisé sans le consentement de EXM

No.	Revisions	Date	By/Par



Isometric View

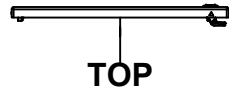


 Tél: (450) 979-4373 Fax: (450) 979-4626 <a href="http://www.exmweb.com">www.exmweb.com</a>	Flatness Aplatissement	Max 3.0mm
	Projection	
Customer Client	Date	
Drawn By Dessiné Par	BoxCad: BoxCad	Date 21-Jul-22
Material Matière	14 Ga Cold Rolled A1008 CS Type B (1.7mm)	
Color Couleur	Light Grey RAL7035	Finish Fini
Description		Detail Rev.
6500MTU 460mm x 1600mm Front Cover		11
Part Number Numéro Pièce	<b>6500MTU1605FD</b>	Rev. <b>0</b>

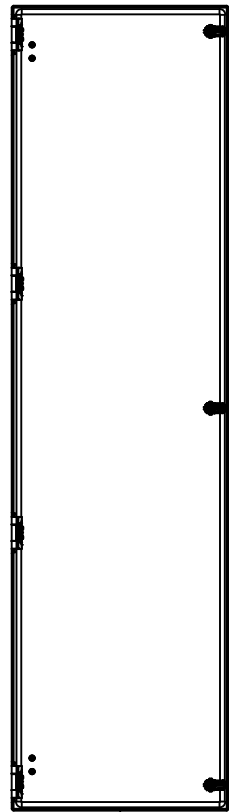
Qty	Part Number	Rev	Description
4	STK-Q-08350	5	Standoff M6 x 10mm
3	STK-K-12500	18	5412 ES 1/4 Turn Lock
1	STK-P-03820R	0	Powder Paint (Light Grey / Rough Textured)
1	6500MTU1605FD-P	0	6500MTU 460mm x 1600mm Front Cover Part
1	6500MTU1605FD-G	0	6500MTU 460mm x 1600mm Front Cover Gasket
4	STK-K-09800	10	5412 ES Hinge with 2 Captive Hinge Pins
Parts List			

This drawing is confidential and must not be reproduced or used without the consent of EXM

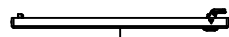
Ce dessin est confidentiel et ne doit pas être reproduit ou utilisé sans le consentement de EXM



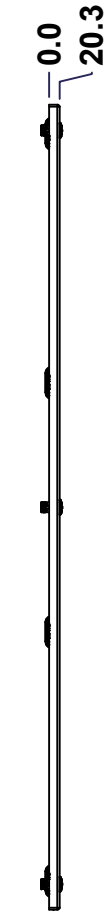
TOP



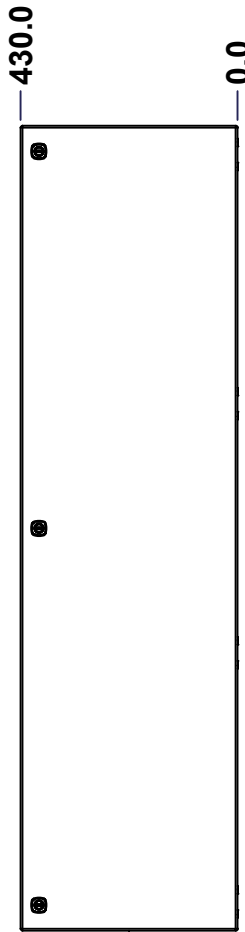
BACK



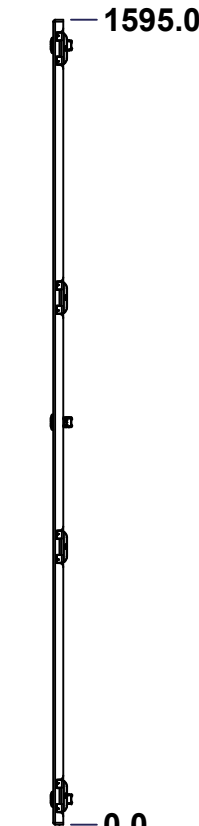
BOTTOM



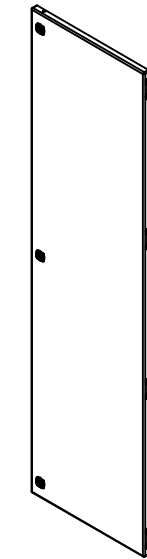
LEFT



FRONT




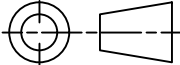
RIGHT



Isometric View



No.	Revisions	Date	By/Par

 Tél: (450) 979-4373 Fax: (450) 979-4626 <a href="http://www.exmweb.com">www.exmweb.com</a>		Flatness Aplatissement Max 3.0mm Projection 
Customer Client	Date	
Drawn By Dessiné Par	BoxCad: BoxCad	Date 21-Jul-22
Material Matière	14 Ga Cold Rolled A1008 CS Type B (1.7mm)	
Color Couleur	Light Grey RAL7035	Finish Fini Rough Textured
Description	Detail Rev.	
6500MTU 460mm x 1600mm Back Cover		
Part Number Numéro Pièce	Rev.	12
<b>6500MTU1605BD</b>	<b>0</b>	14

SEE BILL OF MATERIAL ON LAST PAGE

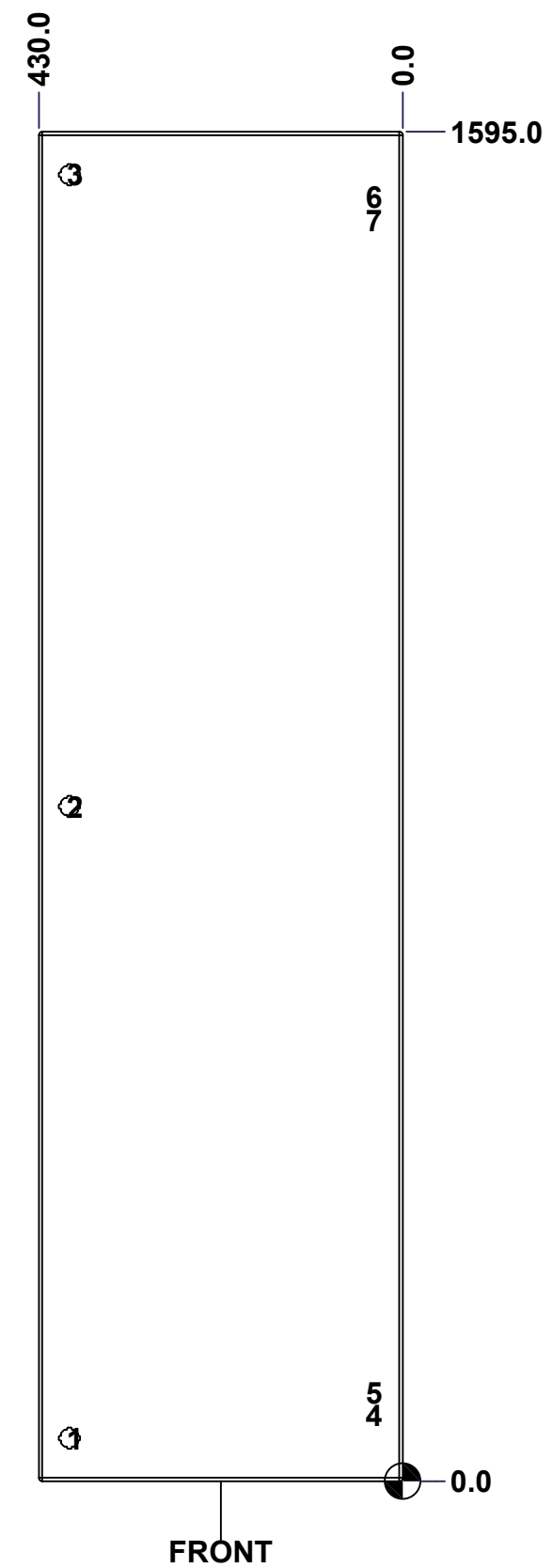
This drawing is confidential and must not be reproduced or used without the consent of EXM

Ce dessin est confidentiel et ne doit pas être reproduit ou utilisé sans le consentement de EXM

**STANDARD FEATURES ARE NOT LISTED IN THIS HOLE TABLE**

**HOLE TABLE - FRONT VIEW (CUSTOM FEATURE ONLY)**

CUT-OUT	XDIM	YDIM	DESCRIPTION
1	393.8	50.8	LOCK 880 SCQ4-SL @ 90.0°
2	393.8	797.5	LOCK 880 SCQ4-SL @ 90.0°
3	393.8	1544.2	LOCK 880 SCQ4-SL @ 90.0°
4	40.6	77.6	STANDOFF M6 x 10mm (Inside)
5	40.6	104.4	STANDOFF M6 x 10mm (Inside)
6	40.6	1517.4	STANDOFF M6 x 10mm (Inside)
7	40.6	1490.6	STANDOFF M6 x 10mm (Inside)

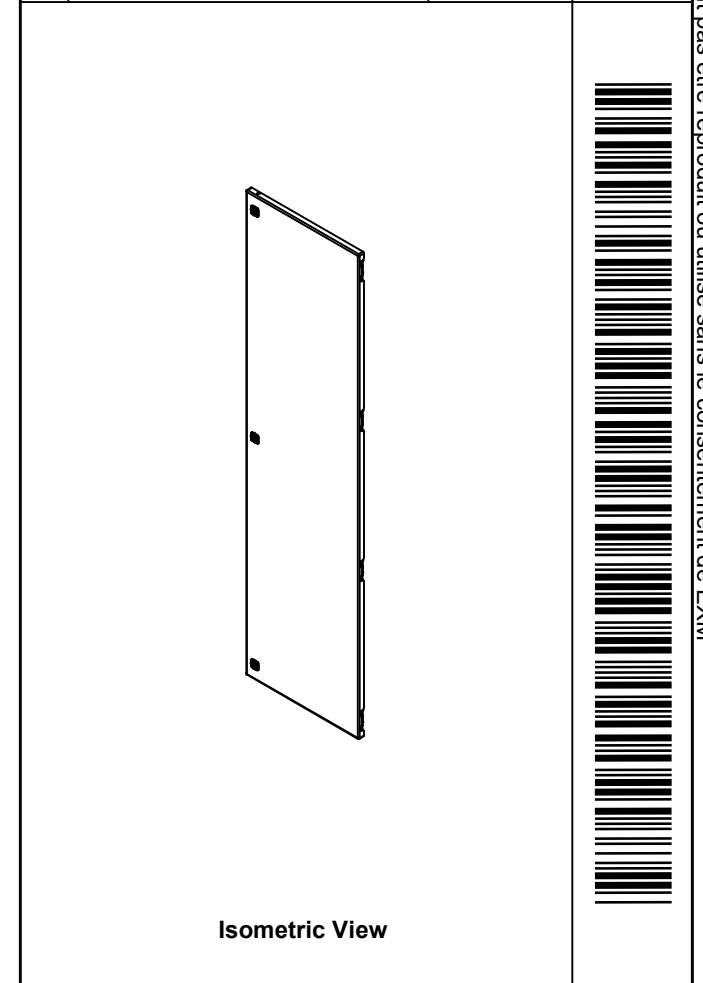


	Description	Status
	6500MTU 460mm x 1600mm Back Cover	(NULL)
	Part Number	Rev.
	Numéro Pièce	13
	<b>6500MTU1605BD</b>	<b>0</b>
		14

This drawing is confidential and must not be reproduced or used without the consent of EXM

Ce dessin est confidentiel et ne doit pas être reproduit ou utilisé sans le consentement de EXM

No.	Revisions	Date	By/Par



Tél: (450) 979-4373 Fax: (450) 979-4626 <a href="http://www.exmweb.com">www.exmweb.com</a>		Flatness Aplatissement	
		Max 3.0mm	
Customer Client		Date	
Drawn By Dessiné Par     BoxCad: BoxCad		Date     21-Jul-22	
Material Matière     14 Ga Cold Rolled A1008 CS Type B (1.7mm)			
Color Couleur     Light Grey RAL7035		Finish Fini     Rough Textured	
Description 6500MTU 460mm x 1600mm Back Cover			Detail Rev.
Part Number Numéro Pièce <b>6500MTU1605BD</b>		Rev.	14 <b>0</b> 14

Qty	Part Number	Rev	Description
4	STK-Q-08350	5	Standoff M6 x 10mm
3	STK-K-12500	18	5412 ES 1/4 Turn Lock
1	STK-P-03820R	0	Powder Paint (Light Grey / Rough Textured)
1	6500MTU1605BD-P	0	6500MTU 460mm x 1600mm Back Cover Part
1	6500MTU1605BD-G	0	6500MTU 460mm x 1600mm Back Cover Gasket
4	STK-K-09800	10	5412 ES Hinge with 2 Captive Hinge Pins
Parts List			

Tolerance ±0.8mm unless otherwise specified

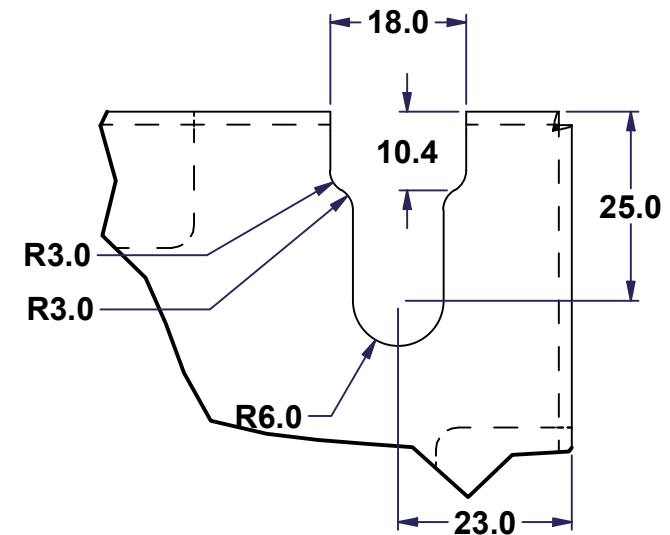
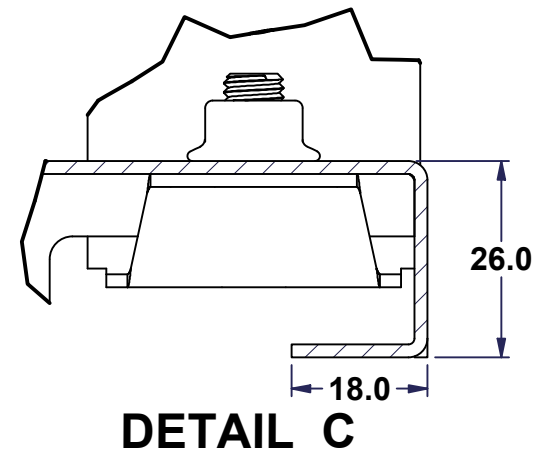
C:\Vault Workspace\Inventor Dwg\Inv-8\886SPMTU\886SP1600MTU.idw

Tolérance ±0.8mm sauf spécification contraire

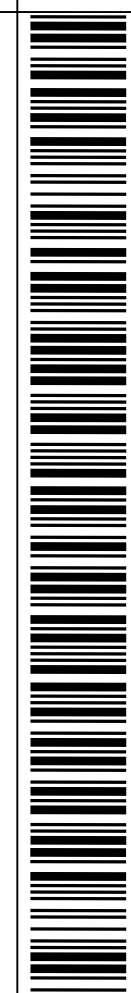
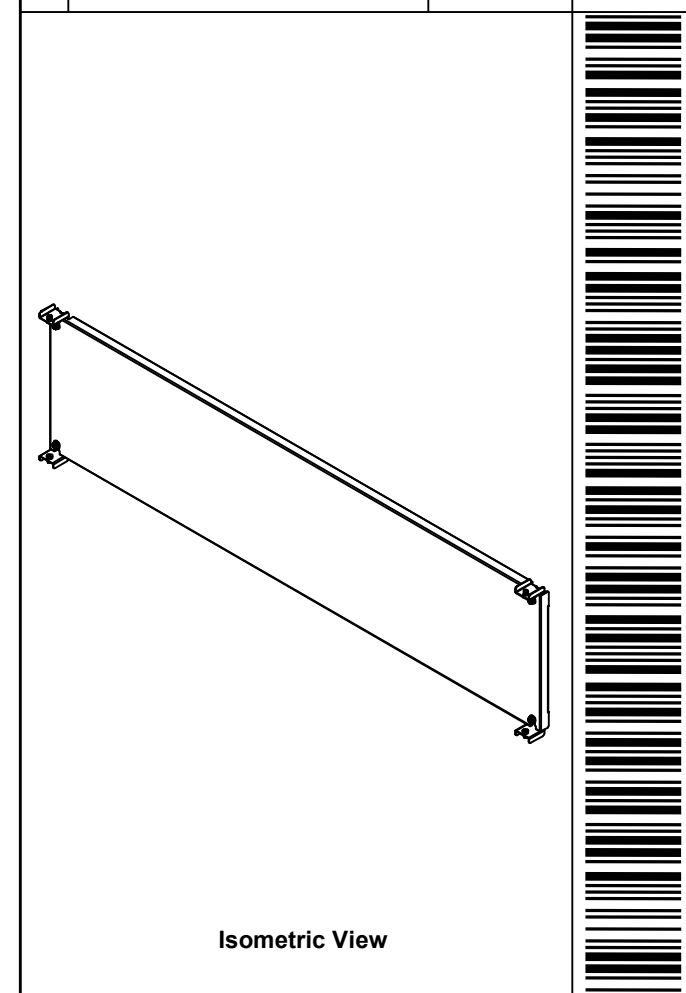
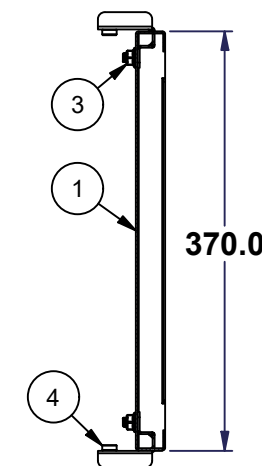
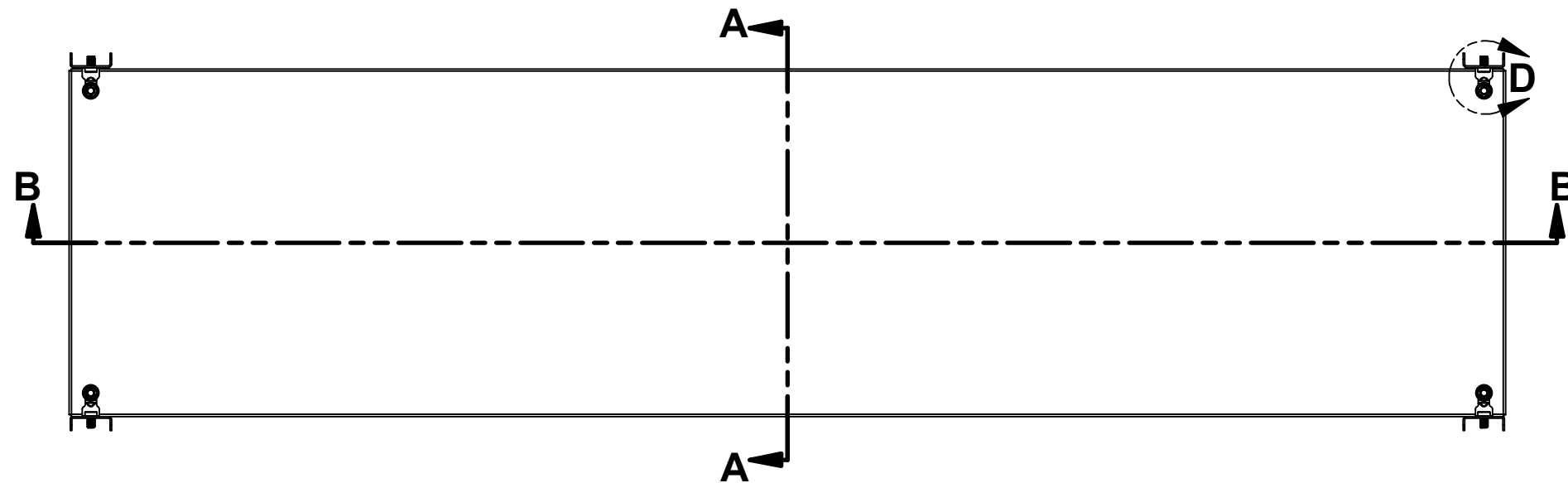
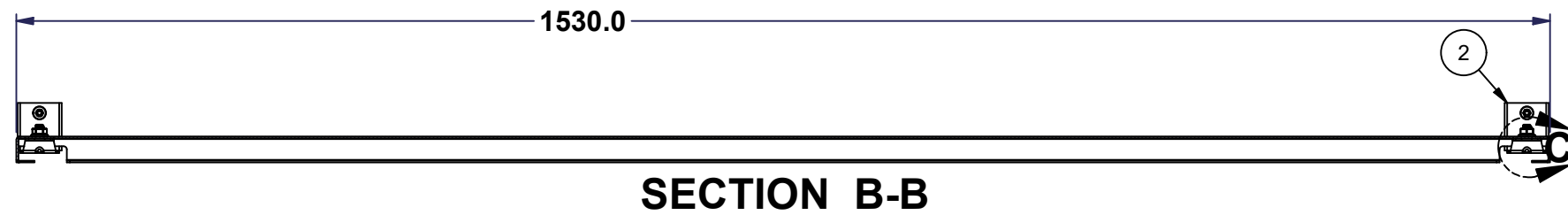
All knockouts are actual size / Les disques défonçables sont grandeur réel

This drawing is confidential and must not be reproduced or used without the consent of EXM

Ce dessin est confidentiel et ne doit pas être reproduit ou utilisé sans le consentement de EXM



**Hardware Removed**



No.	Revisions	Date	By/Par
1	Change design to incorporate mounting bracket	31-Aug-04	Patrick
2	Revision adjustment	07-Feb-08	Patrick
3	Change design to standard style	29-Feb-08	Patrick

Flatness  
Aplatissement  
Max 3.0mm

Projection

Customer Client	Date
Drawn By / Dessiné Par: Patrick Deschenes	Date: 12-Oct-13
Material / Matière: See Part List	
Color / Couleur: See Part List	Finish / Fini: See Part List

Parts List							
Item	Qty	Part Number	Rev	Description	Material	Color	Finish
1	1	886SP1600MTU-P	3	Inner Panel	14 Ga Galvanized	Bright	Galvanized
2	4	STK-Q-07640	0	6500 MTU Inner Panel Support Bracket	See Part List	See Part List	See Part List
3	4	STK-Q-07310	2	Flange Lock Nut M8	Property Class 8 Steel	Bright	Zinc Plated
4	4	STK-Q-00700	2	M8 x 12mm Hex Socket Cap Screw (DIN 6912)	Property Class 8.8 Medium Carbon Steel Quenched & Tempered	Bright	Zinc Plated

Description: 6500 MTU16-- Inner Panel	Detail Rev.
Part Number / Numéro Pièce: <b>886SP1600MTU</b>	Rev. <b>3</b>