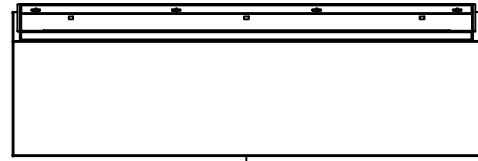
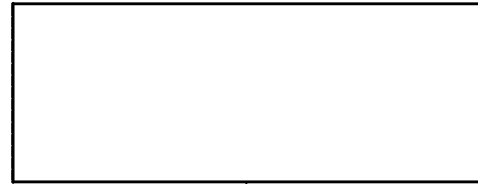


This drawing is confidential and must not be reproduced or used without the consent of EXM

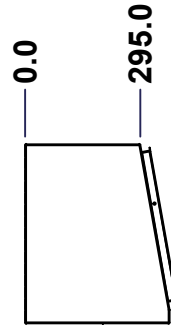
Ce dessin est confidentiel et ne doit pas être reproduit ou utilisé sans le consentement de EXM



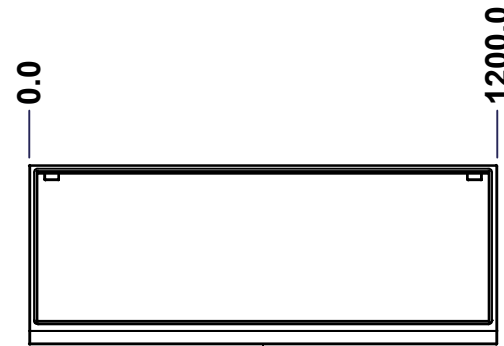
TOP



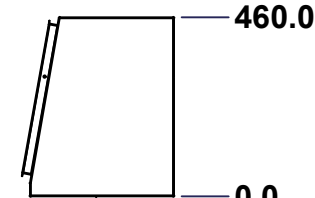
BACK



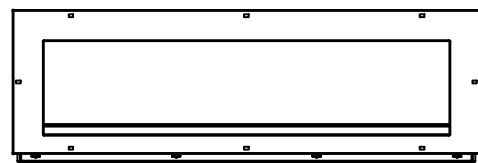
LEFT



FRONT

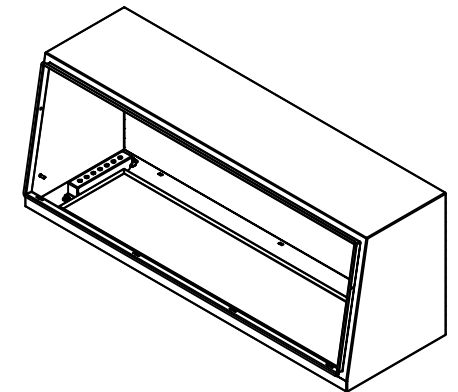


RIGHT



BOTTOM

No.	Revisions	Date	By/Par



Isometric View



Tél: (450) 979-4373
 Fax: (450) 979-4626
www.exmweb.com

Flatness
 Aplatissement
 Max 3.0mm
 Projection

Customer Client	Date
Drawn By / Dessiné Par: BoxCad: BoxCad	Date: 10-Aug-15
Material / Matière: 14 Ga Cold Rolled A1008 CS Type B (1.7mm)	
Color / Couleur: Light Grey RAL7035	Finish / Fini: Rough Textured
Description: 6500MTUFD 460mm x 1200mm x 400mm Body	
Detail Rev.	

Part Number / Numéro Pièce: 6500MTUFD1204B	Rev.:	1
	0	11

SEE BILL OF MATERIAL ON LAST PAGE

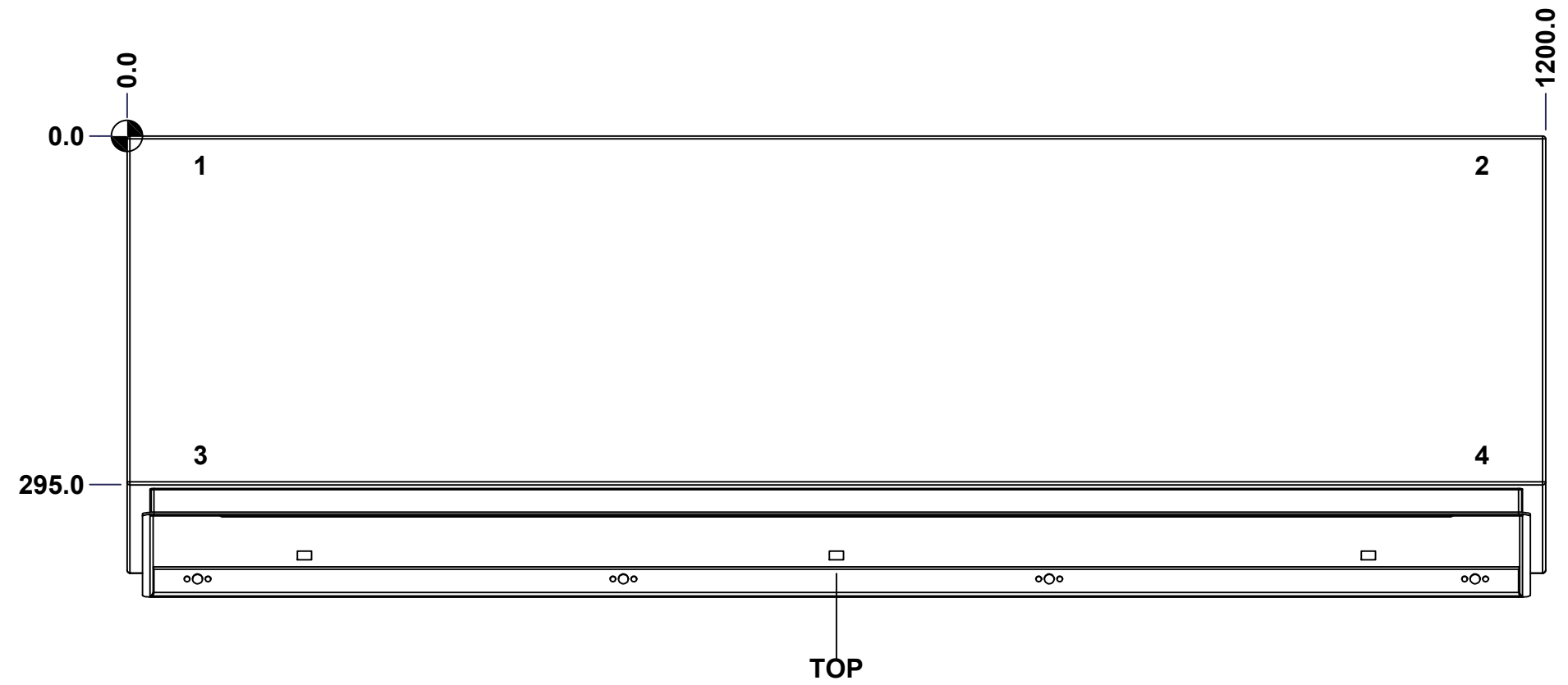
This drawing is confidential and must not be reproduced or used without the consent of EXM

Ce dessin est confidentiel et ne doit pas être reproduit ou utilisé sans le consentement de EXM

STANDARD FEATURES ARE NOT LISTED IN THIS HOLE TABLE

HOLE TABLE - TOP VIEW (CUSTOM FEATURE ONLY)

CUT-OUT	XDIM	YDIM	DESCRIPTION
1	58.0	25.0	STUD M6 x 18mm (Inside)
2	1142.0	25.0	STUD M6 x 18mm (Inside)
3	58.0	270.0	STUD M6 x 18mm (Inside)
4	1142.0	270.0	STUD M6 x 18mm (Inside)

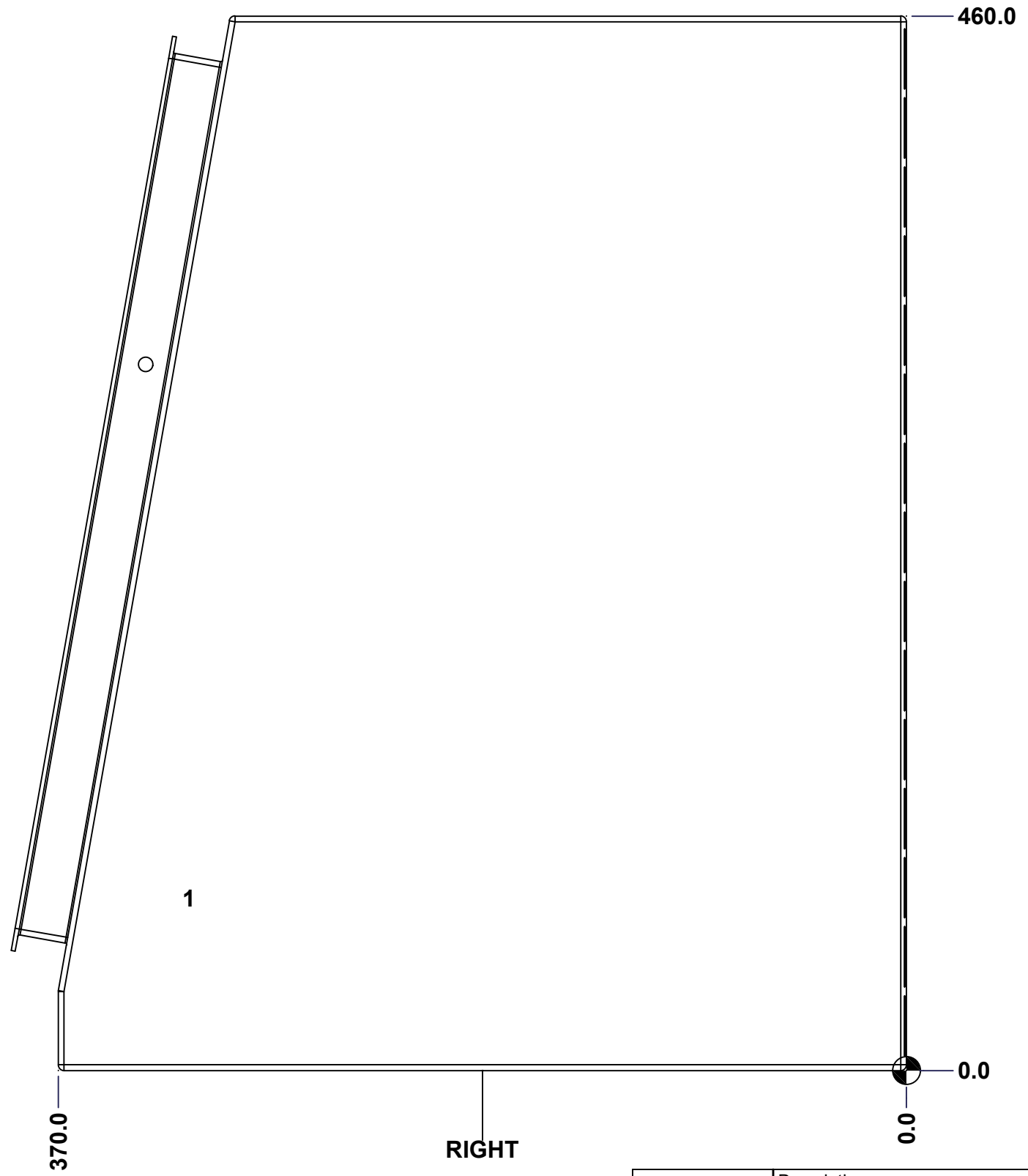


	Description 6500MTUFD 460mm x 1200mm x 400mm Body	Status (NULL)
	Part Number Numéro Pièce 6500MTUFD1204B	Rev. 2 0

This drawing is confidential and must not be reproduced or used without the consent of EXM

Ce dessin est confidentiel et ne doit pas être reproduit ou utilisé sans le consentement de EXM

STANDARD FEATURES ARE NOT LISTED IN THIS HOLE TABLE			
HOLE TABLE - RIGHT VIEW (CUSTOM FEATURE ONLY)			
CUT-OUT	XDIM	YDIM	DESCRIPTION
1	315.0	75.0	GND STUD M6 x 16mm (Inside)



	Description 6500MTUFD 460mm x 1200mm x 400mm Body		Status (NULL)
	Part Number Numéro Pièce 6500MTUFD1204B		Rev. 3 0

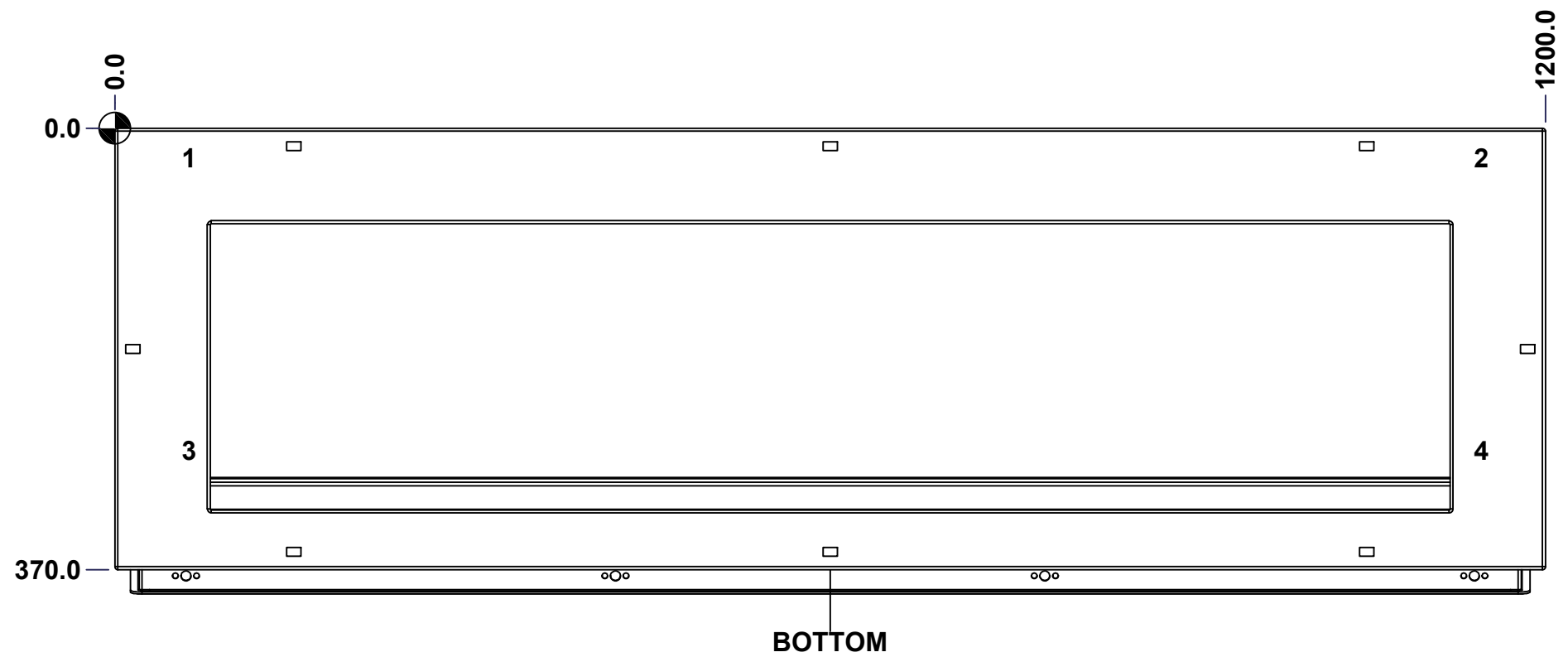
This drawing is confidential and must not be reproduced or used without the consent of EXM

Ce dessin est confidentiel et ne doit pas être reproduit ou utilisé sans le consentement de EXM

STANDARD FEATURES ARE NOT LISTED IN THIS HOLE TABLE

HOLE TABLE - BOTTOM VIEW (CUSTOM FEATURE ONLY)

CUT-OUT	XDIM	YDIM	DESCRIPTION
1	58.0	25.0	STUD M6 x 18mm (Inside)
2	1142.0	25.0	STUD M6 x 18mm (Inside)
3	58.0	270.0	STUD M6 x 18mm (Inside)
4	1142.0	270.0	STUD M6 x 18mm (Inside)

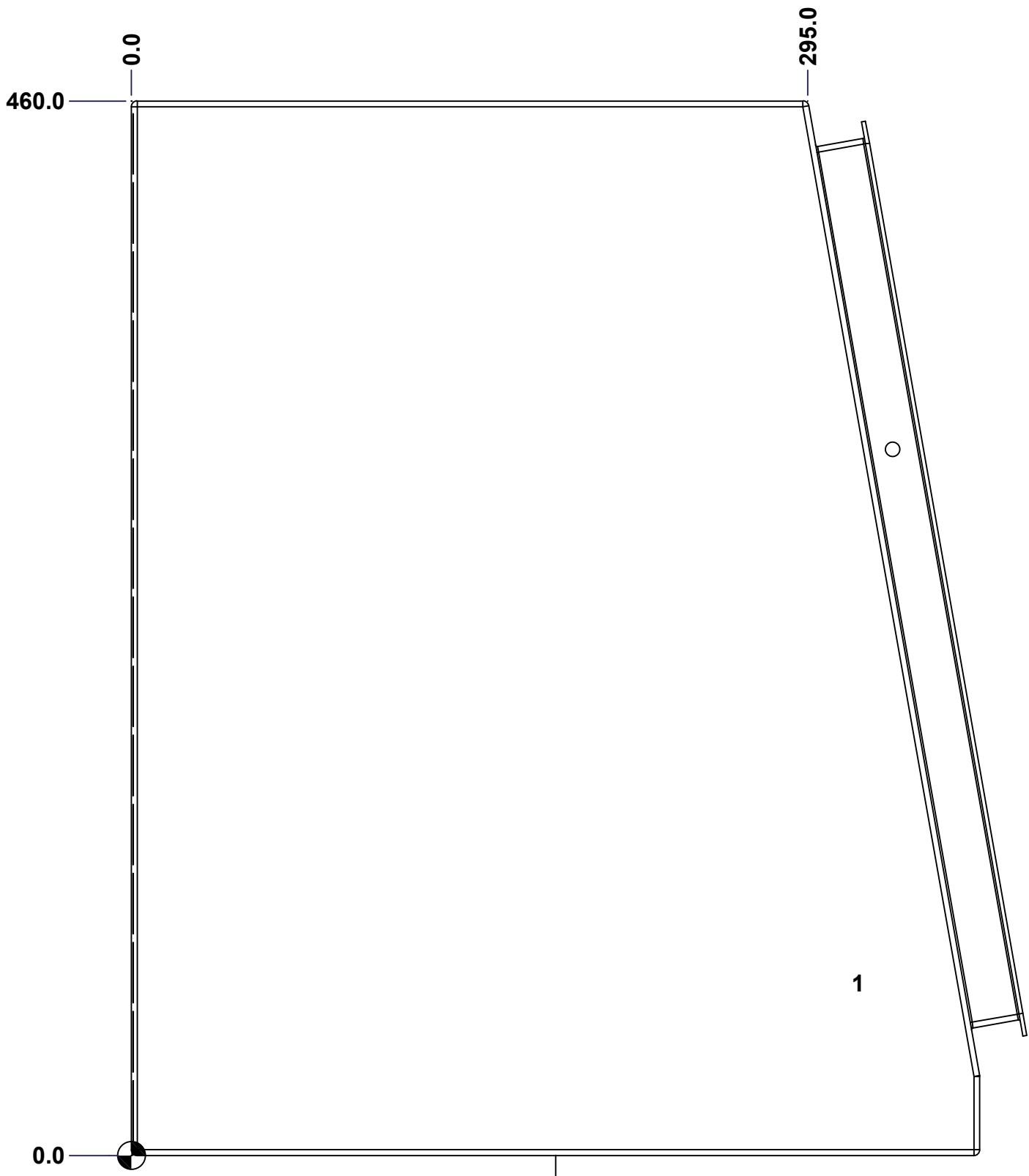


	Description 6500MTUFD 460mm x 1200mm x 400mm Body	Status (NULL)
	Part Number Numéro Pièce 6500MTUFD1204B	Rev. 4 0

This drawing is confidential and must not be reproduced or used without the consent of EXM

Ce dessin est confidentiel et ne doit pas être reproduit ou utilisé sans le consentement de EXM

STANDARD FEATURES ARE NOT LISTED IN THIS HOLE TABLE			
HOLE TABLE - LEFT VIEW (CUSTOM FEATURE ONLY)			
CUT-OUT	XDIM	YDIM	DESCRIPTION
1	315.0	75.0	GND STUD M6 x 16mm (Inside)

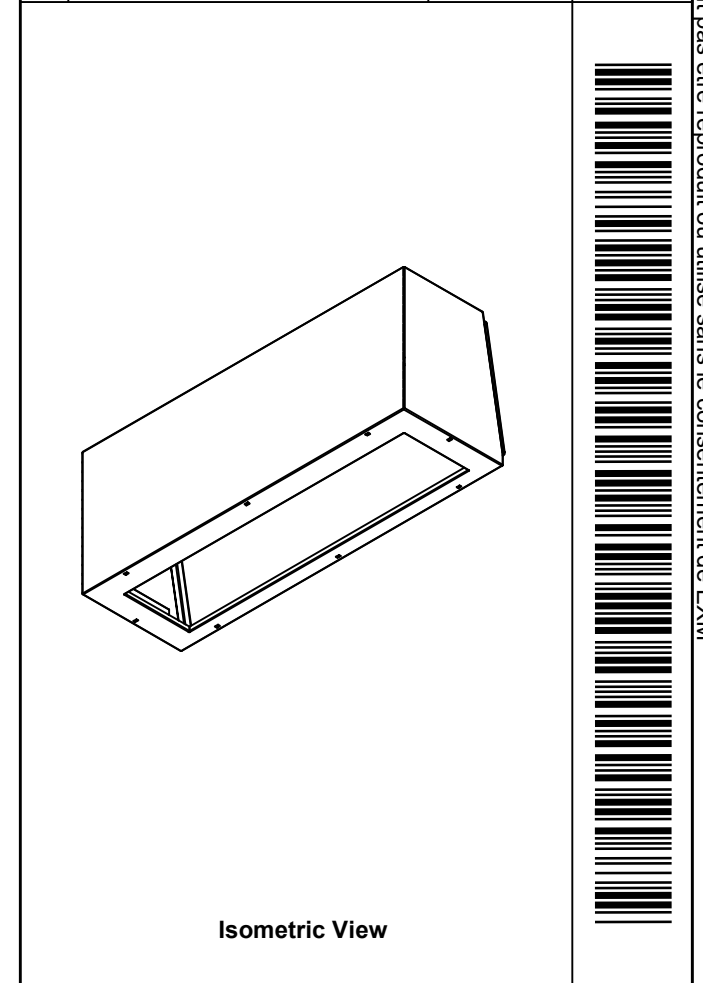


	Description 6500MTUFD 460mm x 1200mm x 400mm Body	Status (NULL)
	Part Number Numéro Pièce 6500MTUFD1204B	Rev. 5 0

This drawing is confidential and must not be reproduced or used without the consent of EXM

Ce dessin est confidentiel et ne doit pas être reproduit ou utilisé sans le consentement de EXM

No.	Revisions	Date	By/Par

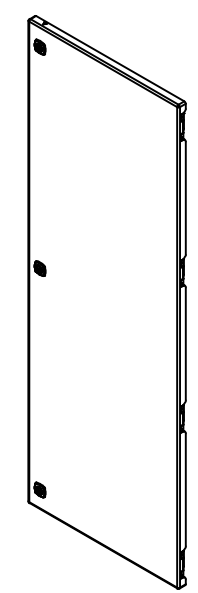
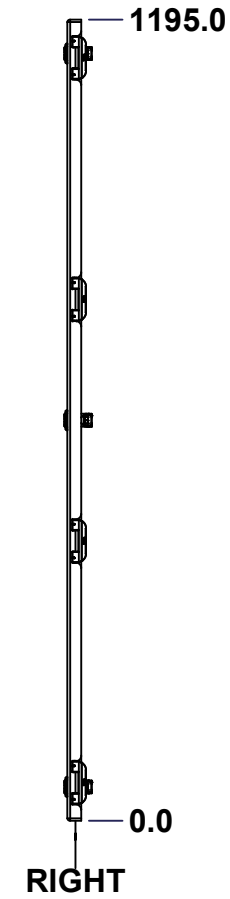
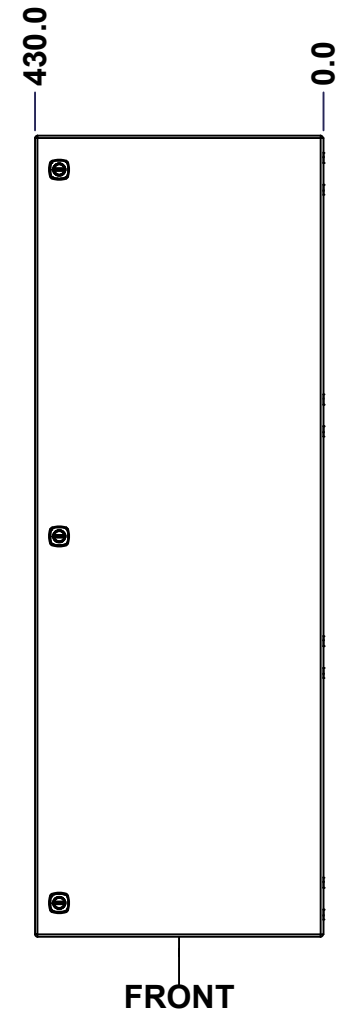
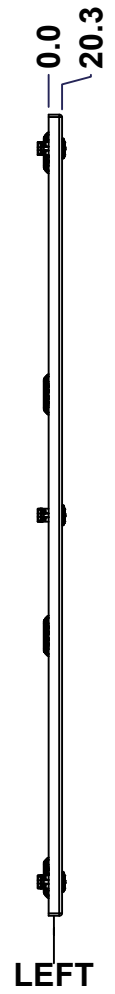
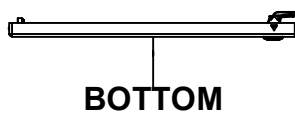
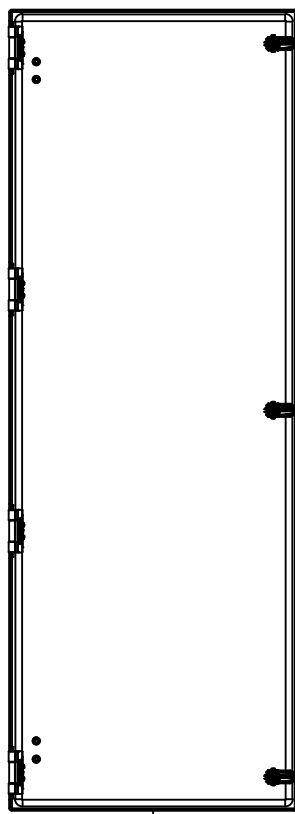
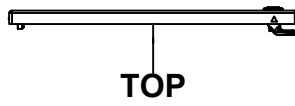


Tél: (450) 979-4373 Fax: (450) 979-4626 www.exmweb.com		Flatness Aplatissement	
		Max 3.0mm	
Customer Client		Date	
Drawn By Dessiné Par BoxCad: BoxCad		Date 10-Aug-15	
Material Matière 14 Ga Cold Rolled A1008 CS Type B (1.7mm)			
Color Couleur Light Grey RAL7035		Finish Fini Rough Textured	
Description 6500MTUFD 460mm x 1200mm x 400mm Body			Detail Rev.
Part Number Numéro Pièce 6500MTUFD1204B			Rev. 0


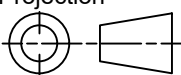
Qty	Part Number	Rev	Description
2	STK-Q-16080	0	Ground Stud M6 x 16mm Steel
1	STK-P-03820R	0	Powder Paint (Light Grey / Rough Textured)
4	STK-Q-49090-205	1	Mounting Rail 205.0mm
8	STK-Q-16031	0	M6 x 10mm Stud (No Paint Cap Required)
1	6500MTUFD1204B-P	0	6500MTUFD 460mm x 1200mm x 400mm Body Part
8	STK-Q-07220	1	M6 Nylon Insert Lock Nut
Parts List			

This drawing is confidential and must not be reproduced or used without the consent of EXM

Ce dessin est confidentiel et ne doit pas être reproduit ou utilisé sans le consentement de EXM



No.	Revisions	Date	By/Par

 Tél: (450) 979-4373 Fax: (450) 979-4626 www.exmweb.com		Flatness Aplatissement Max 3.0mm Projection 
Customer Client	Date	
Drawn By Dessiné Par	BoxCad: BoxCad	Date 10-Aug-15
Material Matière	14 Ga Cold Rolled A1008 CS Type B (1.7mm)	
Color Couleur	Light Grey RAL7035	Finish Fini Rough Textured
Description 6500MTUFD 460mm x 1200mm Front Cover		Detail Rev.
Part Number Numéro Pièce	Rev. 0	7 11

SEE BILL OF MATERIAL ON LAST PAGE

6500MTUFD1204FD

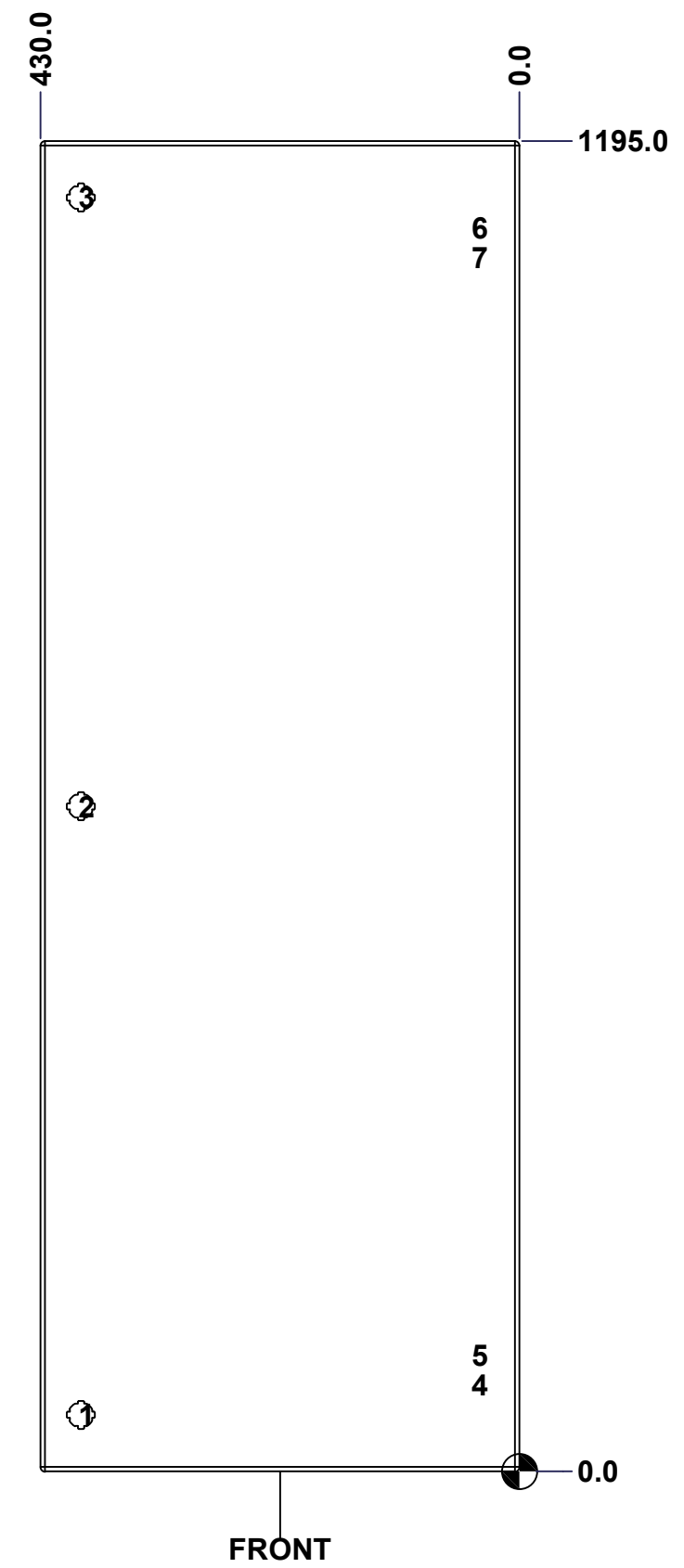
This drawing is confidential and must not be reproduced or used without the consent of EXM

Ce dessin est confidentiel et ne doit pas être reproduit ou utilisé sans le consentement de EXM

STANDARD FEATURES ARE NOT LISTED IN THIS HOLE TABLE

HOLE TABLE - FRONT VIEW (CUSTOM FEATURE ONLY)

CUT-OUT	XDIM	YDIM	DESCRIPTION
1	393.8	50.8	LOCK 880 SCQ4-SL @ 90.0°
2	393.8	597.5	LOCK 880 SCQ4-SL @ 90.0°
3	393.8	1144.2	LOCK 880 SCQ4-SL @ 90.0°
4	40.6	77.6	STANDOFF M6 x 10mm (Inside)
5	40.6	104.4	STANDOFF M6 x 10mm (Inside)
6	40.6	1117.4	STANDOFF M6 x 10mm (Inside)
7	40.6	1090.6	STANDOFF M6 x 10mm (Inside)

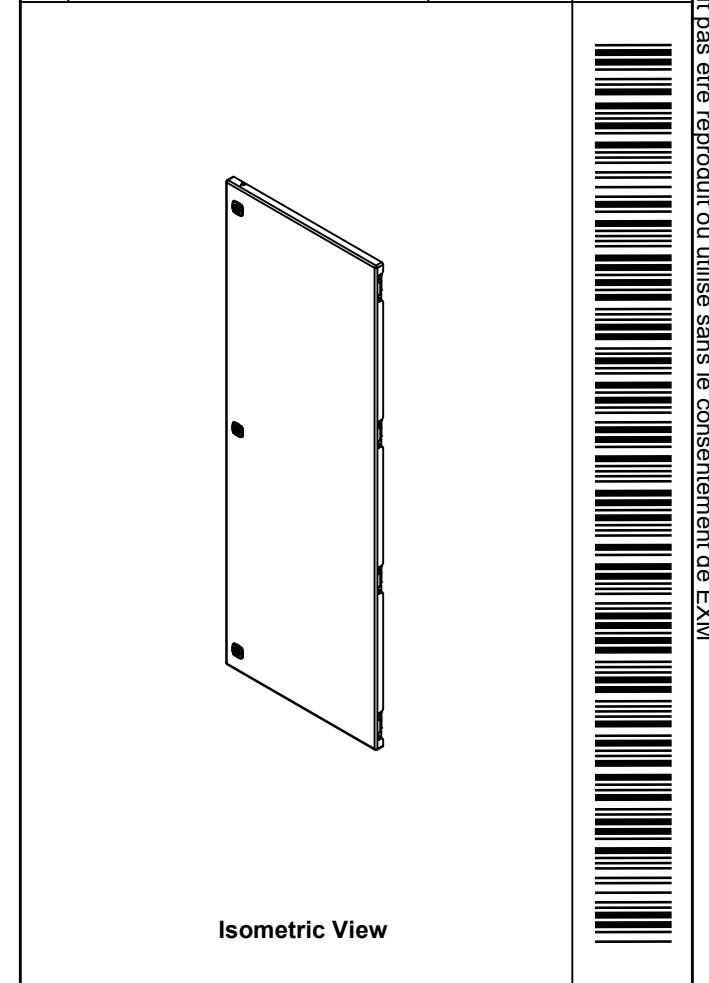


	Description 6500MTUFD 460mm x 1200mm Front Cover	Status (NULL)
	Part Number Numéro Pièce 6500MTUFD1204FD	Rev. 8 0

This drawing is confidential and must not be reproduced or used without the consent of EXM

Ce dessin est confidentiel et ne doit pas être reproduit ou utilisé sans le consentement de EXM

No.	Revisions	Date	By/Par

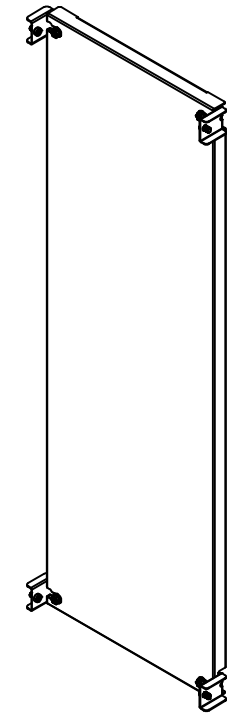
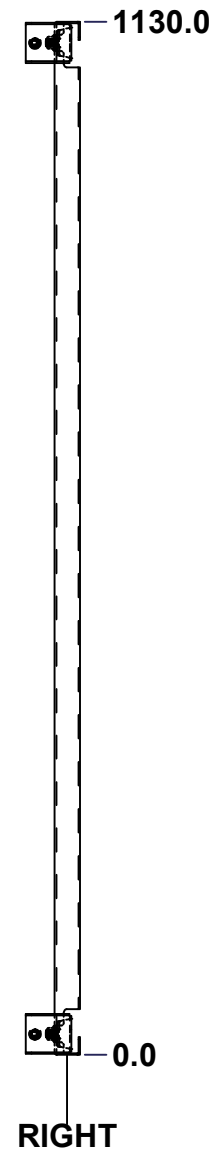
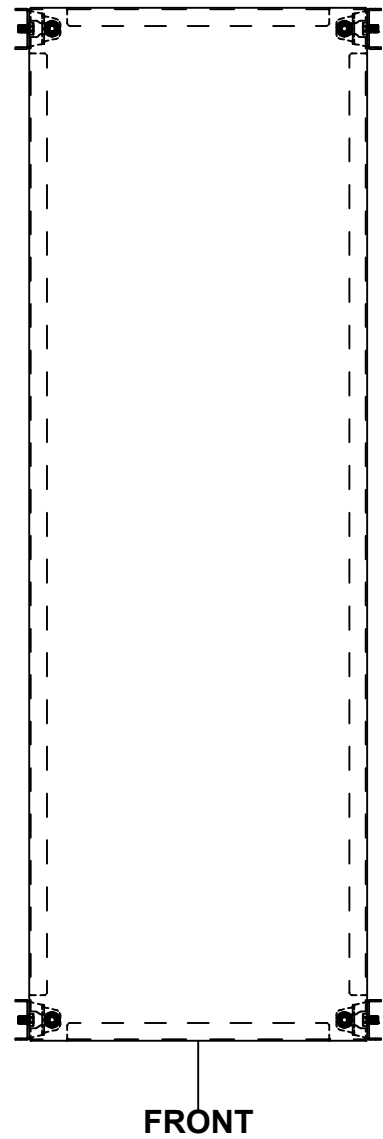
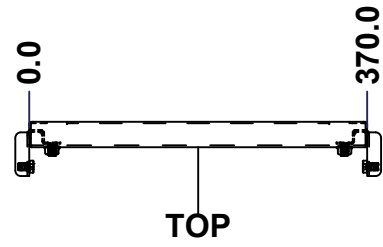


Tél: (450) 979-4373 Fax: (450) 979-4626 www.exmweb.com		Flatness Aplatissement	
		Max 3.0mm	
Customer Client		Date	
Drawn By Dessiné Par BoxCad: BoxCad		Date 10-Aug-15	
Material Matière 14 Ga Cold Rolled A1008 CS Type B (1.7mm)			
Color Couleur Light Grey RAL7035		Finish Fini Rough Textured	
Description 6500MTUFD 460mm x 1200mm Front Cover			Detail Rev.
Part Number Numéro Pièce 6500MTUFD1204FD			Rev. 9 0


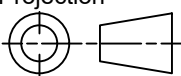
Qty	Part Number	Rev	Description
4	STK-Q-08350	5	Standoff M6 x 10mm
3	STK-K-12500	19	5412 ES 1/4 Turn Lock
1	STK-P-03820R	0	Powder Paint (Light Grey / Rough Textured)
1	6500MTUFD1204FD-P	0	6500MTUFD 460mm x 1200mm Front Cover Part
1	6500MTUFD1204FD-G	0	6500MTUFD 460mm x 1200mm Front Cover Gasket
4	STK-K-09800	10	5412 ES Hinge with 2 Captive Hinge Pins
Parts List			

This drawing is confidential and must not be reproduced or used without the consent of EXM

Ce dessin est confidentiel et ne doit pas être reproduit ou utilisé sans le consentement de EXM



No.	Revisions	Date	By/Par

 Tél: (450) 979-4373 Fax: (450) 979-4626 www.exmweb.com		Flatness Aplatissement Max 3.0mm Projection 
Customer Client	Date	
Drawn By Dessiné Par	BoxCad: BoxCad	Date 10-Aug-15
Material Matière	14 Ga Galvanized	
Color Couleur	Unpainted	Finish Fini Rough Textured
Description 6500MTUFD 460mm x 1200mm Inner Panel Part		Detail Rev.
Part Number Numéro Pièce	Rev. 0	10 11

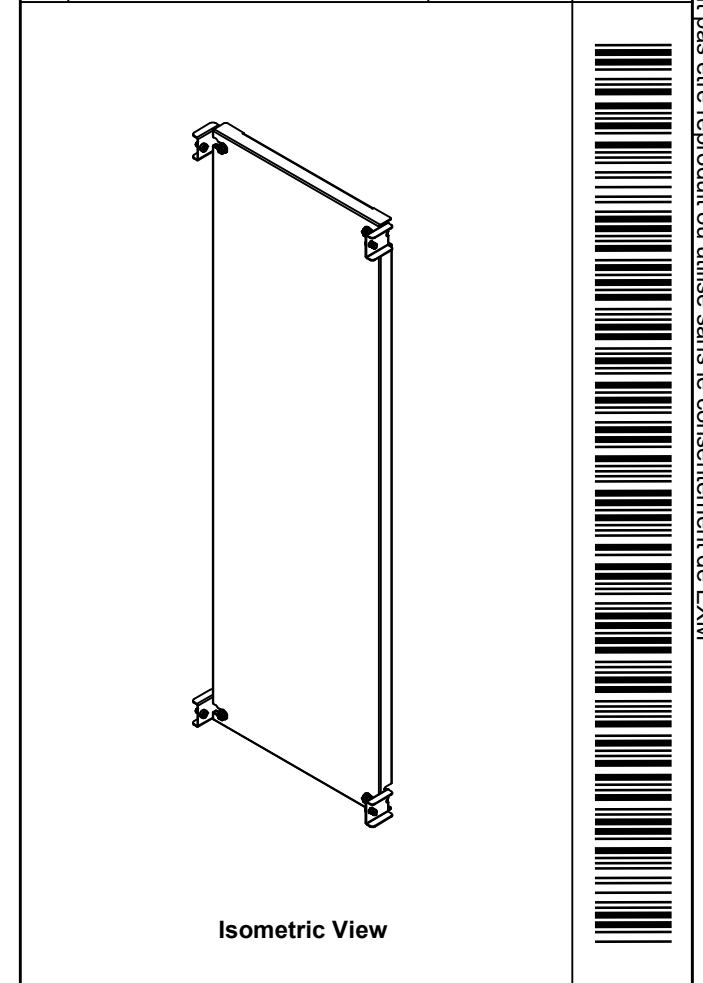
SEE BILL OF MATERIAL ON LAST PAGE


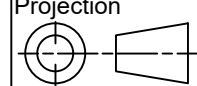
6500MTUFD1204IP

This drawing is confidential and must not be reproduced or used without the consent of EXM

Ce dessin est confidentiel et ne doit pas être reproduit ou utilisé sans le consentement de EXM

No.	Revisions	Date	By/Par



 Tél: (450) 979-4373 Fax: (450) 979-4626 www.exmweb.com		Flatness Aplatissement Max 3.0mm Projection 
Customer Client	Date	
Drawn By Dessiné Par	BoxCad: BoxCad	Date 10-Aug-15
Material Matière	14 Ga Galvanized	
Color Couleur	Unpainted	Finish Fini Rough Textured
Description		Detail Rev.
6500MTUFD 460mm x 1200mm Inner Panel Part		
Part Number Numéro Pièce	Rev.	11
6500MTUFD1204IP	0	11

Qty	Part Number	Rev	Description
4	STK-Q-00700	2	M8 x 12mm Hex Socket Cap Screw (DIN 6912)
4	STK-Q-07310	3	Flange Lock Nut M8
1	6500MTUFD1204IP-P	0	6500MTUFD 460mm x 1200mm Inner Panel Part
4	STK-Q-07640	0	6500 MTU Inner Panel Support Bracket
Parts List			