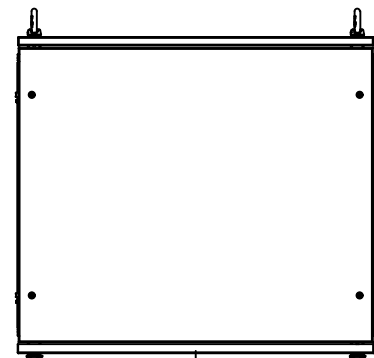


This drawing is confidential and must not be reproduced or used without the consent of EXM

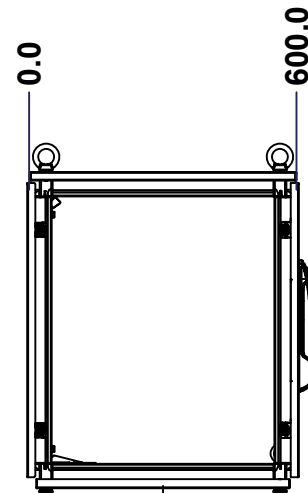
Ce dessin est confidentiel et ne doit pas être reproduit ou utilisé sans le consentement de EXM



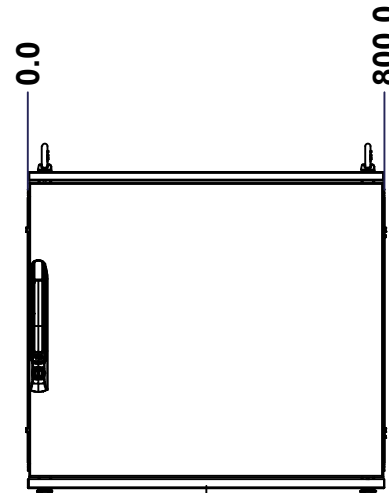
TOP



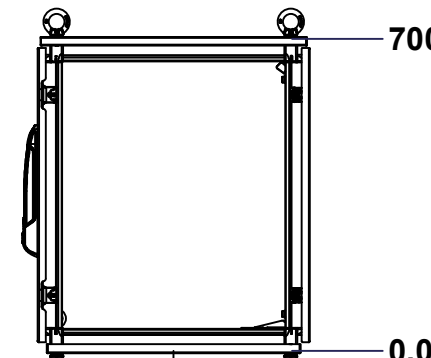
BACK



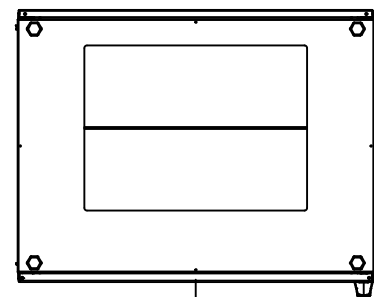
LEFT



FRONT

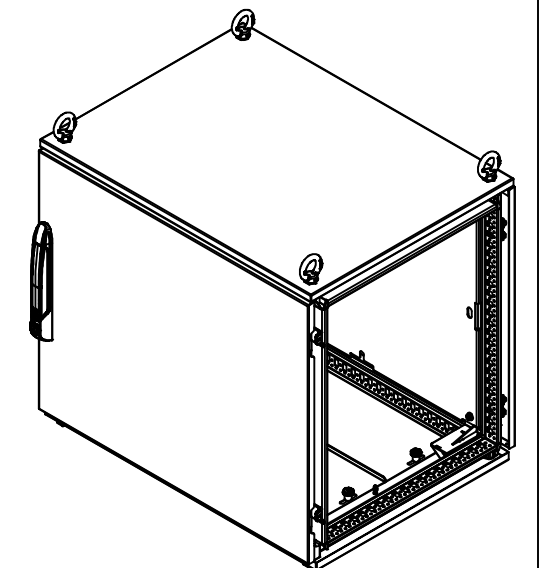


RIGHT



BOTTOM

No.	Revisions	Date	By/Par



Isometric View

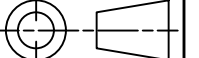


Tél: (450) 979-4373
 Fax: (450) 979-4626
www.exmweb.com

Flatness
Aplatissement

Max 3.0mm

Projection



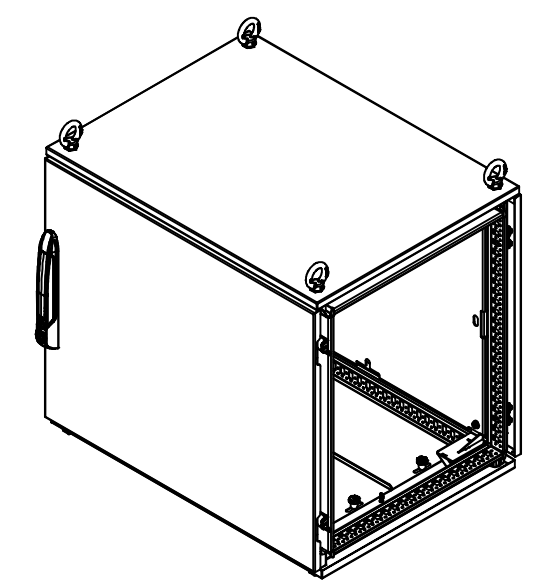
Customer Client	Date
Drawn By Dessiné Par BoxCad: BoxCad	Date 22-Jan-15
Material Matière	See Part List
Color Couleur	See Part List
Finish Fini	See Part List
Description 6500MX 700mm x 800mm x 600mm Assembly	Detail Rev.
Part Number Numéro Pièce	Rev. 1
6500MXK070806	0

SEE BILL OF MATERIAL ON LAST PAGE

This drawing is confidential and must not be reproduced or used without the consent of EXM

Ce dessin est confidentiel et ne doit pas être reproduit ou utilisé sans le consentement de EXM

No.	Revisions	Date	By/Par



Isometric View



Tél: (450) 979-4373
 Fax: (450) 979-4626
www.exmweb.com



Customer Client	Date
Drawn By / Dessiné Par: BoxCad: BoxCad	Date: 22-Jan-15
Material / Matière	See Part List

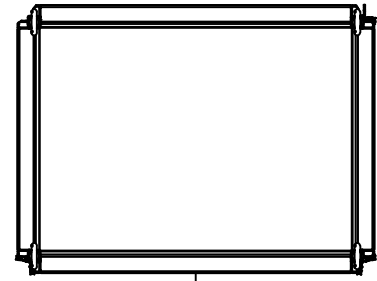
Color / Couleur	See Part List	Finish / Fini	See Part List
Description		Detail Rev.	
6500MX 700mm x 800mm x 600mm Assembly			

Part Number / Numéro Pièce	Rev.	2
6500MXK070806	0	18

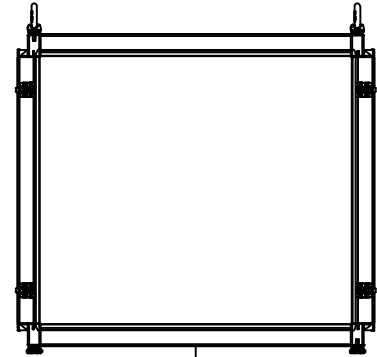
Qty	Part Number	Rev	Description
1	6500MXK070806BIP	0	6500 MXM 700mm x 800mm Back Inner Panel
1	6500MXK070806F	0	6500 MXD 700mm x 800mm Front
1	6500MXK070806B	0	6500 MXR 700mm x 800mm Back
1	6500MXK070806BT	0	6500 MXB 800mm x 600mm Bottom
1	6500MXK070806T	0	6500 MXT 800mm x 600mm Top
1	6500MXK070806FR	0	6500 MX 700mm x 800mm x 600mm Frame
Parts List			

This drawing is confidential and must not be reproduced or used without the consent of EXM

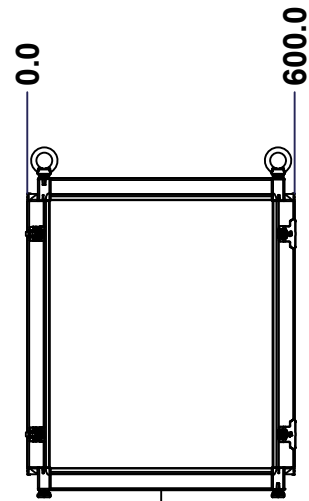
Ce dessin est confidentiel et ne doit pas être reproduit ou utilisé sans le consentement de EXM



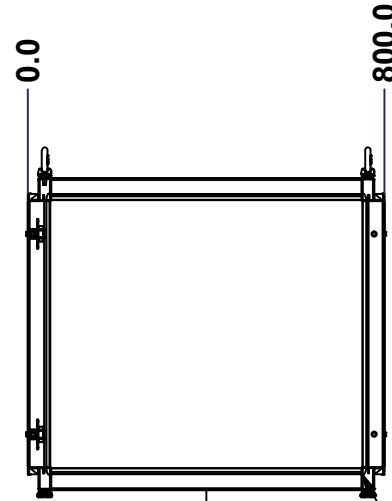
TOP



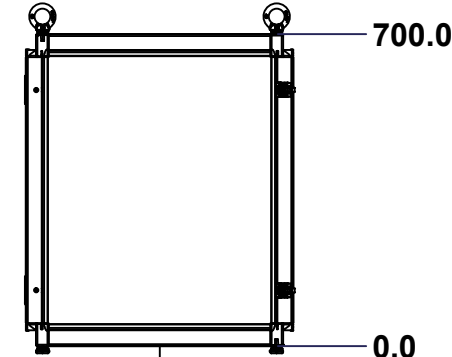
BACK



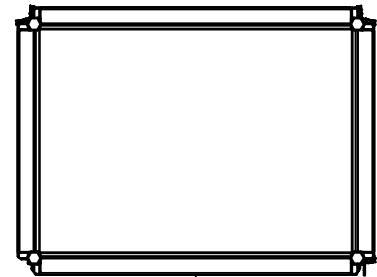
LEFT



FRONT



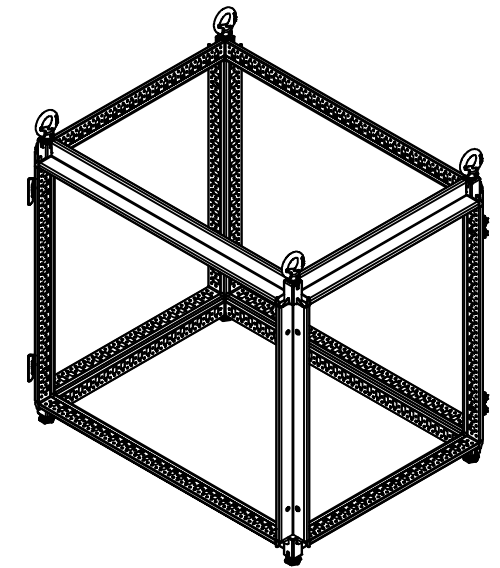
RIGHT



BOTTOM

Grind excess weld off corner(s)

No.	Revisions	Date	By/Par



Isometric View

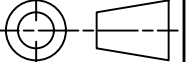


Tél: (450) 979-4373
 Fax: (450) 979-4626
www.exmweb.com

Flatness
Aplatissement

Max 3.0mm

Projection



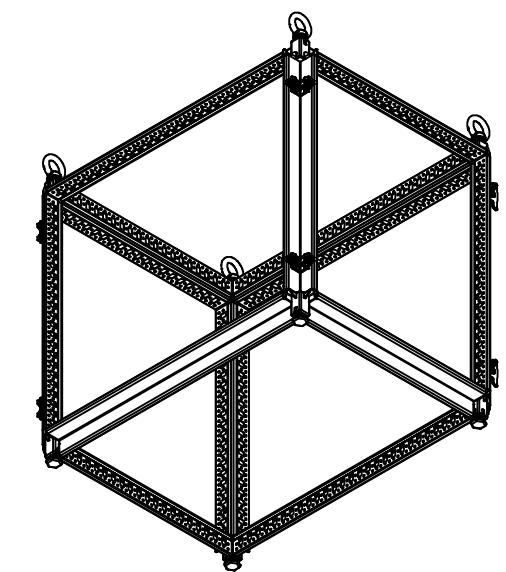
Customer Client	Date
Drawn By Dessiné Par BoxCad: BoxCad	Date 22-Jan-15
Material Matière 16 Ga Electro-Galvanized (1.4mm)	
Color Couleur Iron Grey RAL7011	Finish Fini Textured
Description 6500 MX 700mm x 800mm x 600mm Frame	Detail Rev.
Part Number Numéro Pièce 6500MXK070806FR	Rev. 3 0

SEE BILL OF MATERIAL ON LAST PAGE

This drawing is confidential and must not be reproduced or used without the consent of EXM

Ce dessin est confidentiel et ne doit pas être reproduit ou utilisé sans le consentement de EXM

No.	Revisions	Date	By/Par



Isometric View



Tél: (450) 979-4373
 Fax: (450) 979-4626
www.exmweb.com

Flatness
Aplatissement
Max 3.0mm
Projection

1	STK-P-03810ST	0	Powder Paint (Iron Grey /Sand Textured)
4	STK-Q-47250-08	6	6500 MX 800mm Horizontal Frame Post Part
4	STK-Q-47250-06	6	6500 MX 600mm Horizontal Frame Post Part
2	STK-A-70589	9	6500 MX Fixed Side Panel Bracket Assembly
8	STK-Q-77120	1	6500MX-Frame Rubber Plug
4	STK-A-70580	9	Mtrx Bracket
8	STK-Q-00610	3	M16 x 30.0mm Bolt
8	STK-A-49448	6	6500 MX - Frame Sheet Metal Corner Assembly
4	STK-Q-49500	3	M12 Eye Bolt (0.34T)
4	STK-Q-61110	0	M12 Feet Leveler
4	STK-Q-47251-07	6	6500 MX 700mm Vertical Frame Post Part

Customer Client	Date
Drawn By Dessiné Par BoxCad: BoxCad	Date 22-Jan-15

Material
Matière 16 Ga Electro-Galvanized (1.4mm)

Color Couleur Iron Grey RAL7011	Finish Fini Textured
------------------------------------	-------------------------

Description
6500 MX 700mm x 800mm x 600mm Frame

Part Number Numéro Pièce 6500MXK070806FR	Rev. 0	4 18
---	------------------	---------

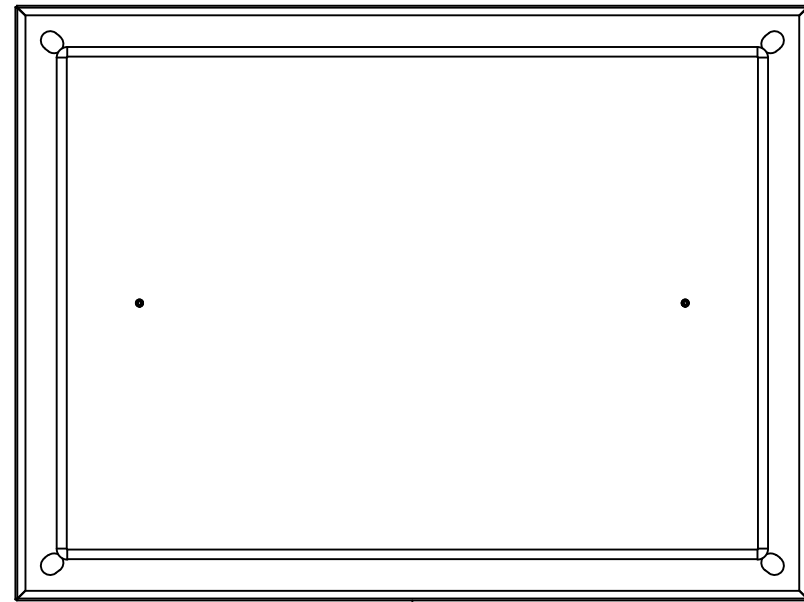
Qty	Part Number	Rev	Description
Parts List			

This drawing is confidential and must not be reproduced or used without the consent of EXM

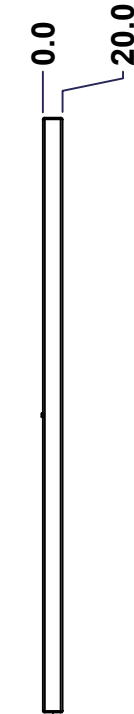
Ce dessin est confidentiel et ne doit pas être reproduit ou utilisé sans le consentement de EXM



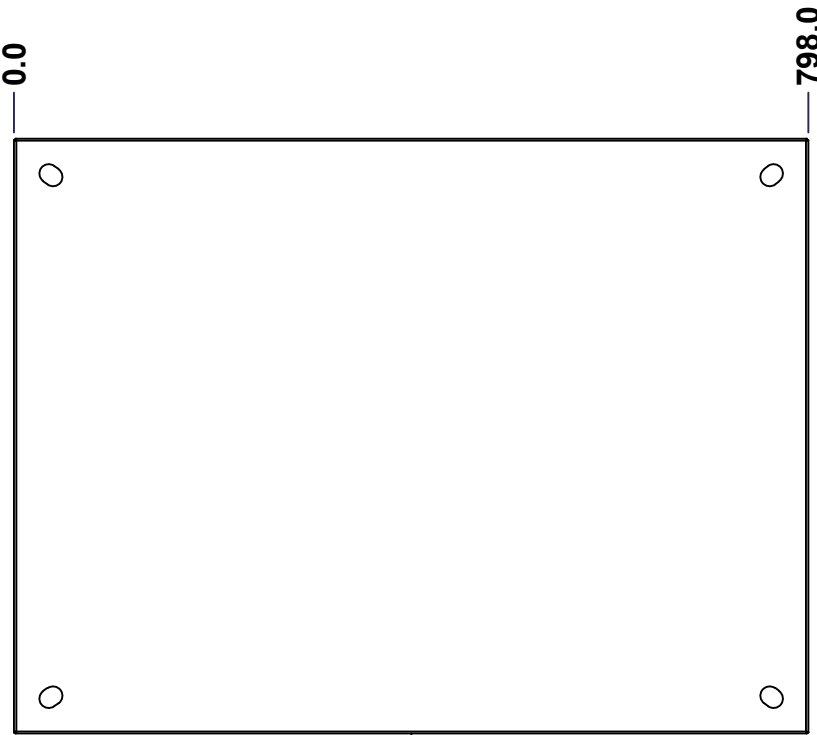
TOP



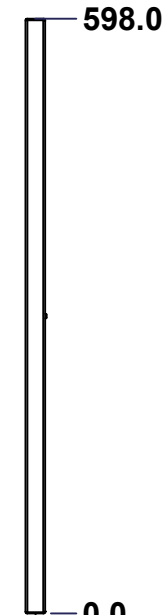
BACK



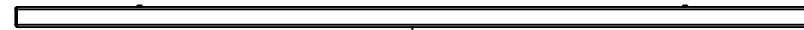
LEFT



FRONT

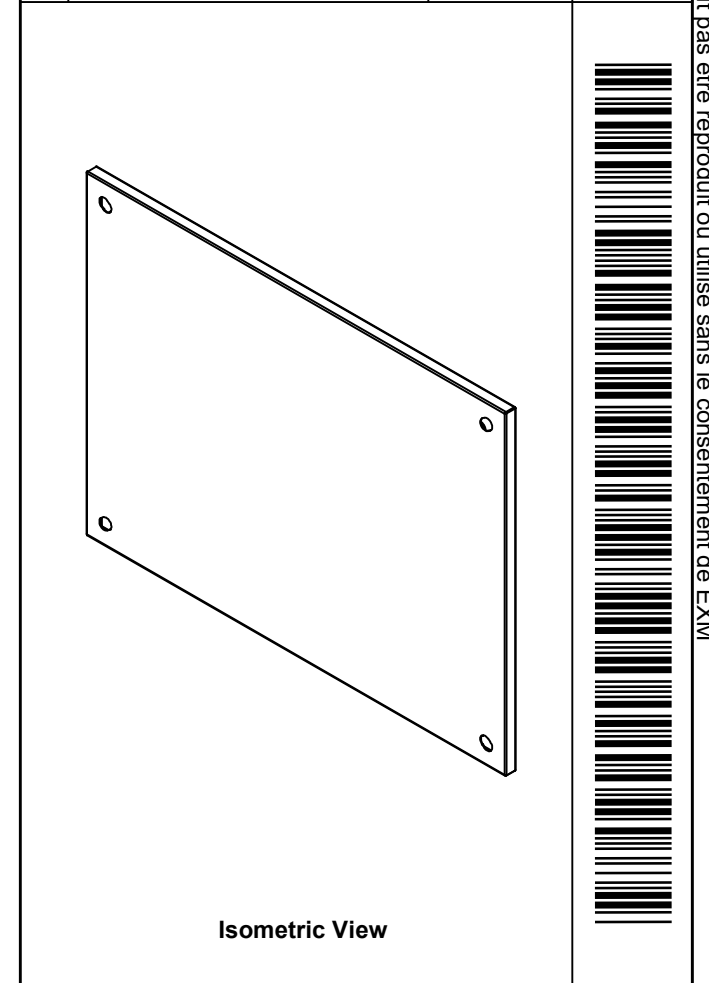



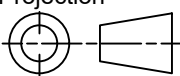
RIGHT



BOTTOM

No.	Revisions	Date	By/Par



 Tél: (450) 979-4373 Fax: (450) 979-4626 www.exmweb.com		Flatness Aplatissement Max 3.0mm Projection 
Customer Client	Date	
Drawn By Dessiné Par	BoxCad: BoxCad	Date 22-Jan-15
Material Matière	16 Ga Cold Rolled A1008 CS Type B	
Color Couleur	Iron Grey RAL7011	Finish Fini Textured
Description	Detail Rev.	
6500 MXT 800mm x 600mm Top		
Part Number Numéro Pièce	Rev.	5
6500MXK070806T	0	18

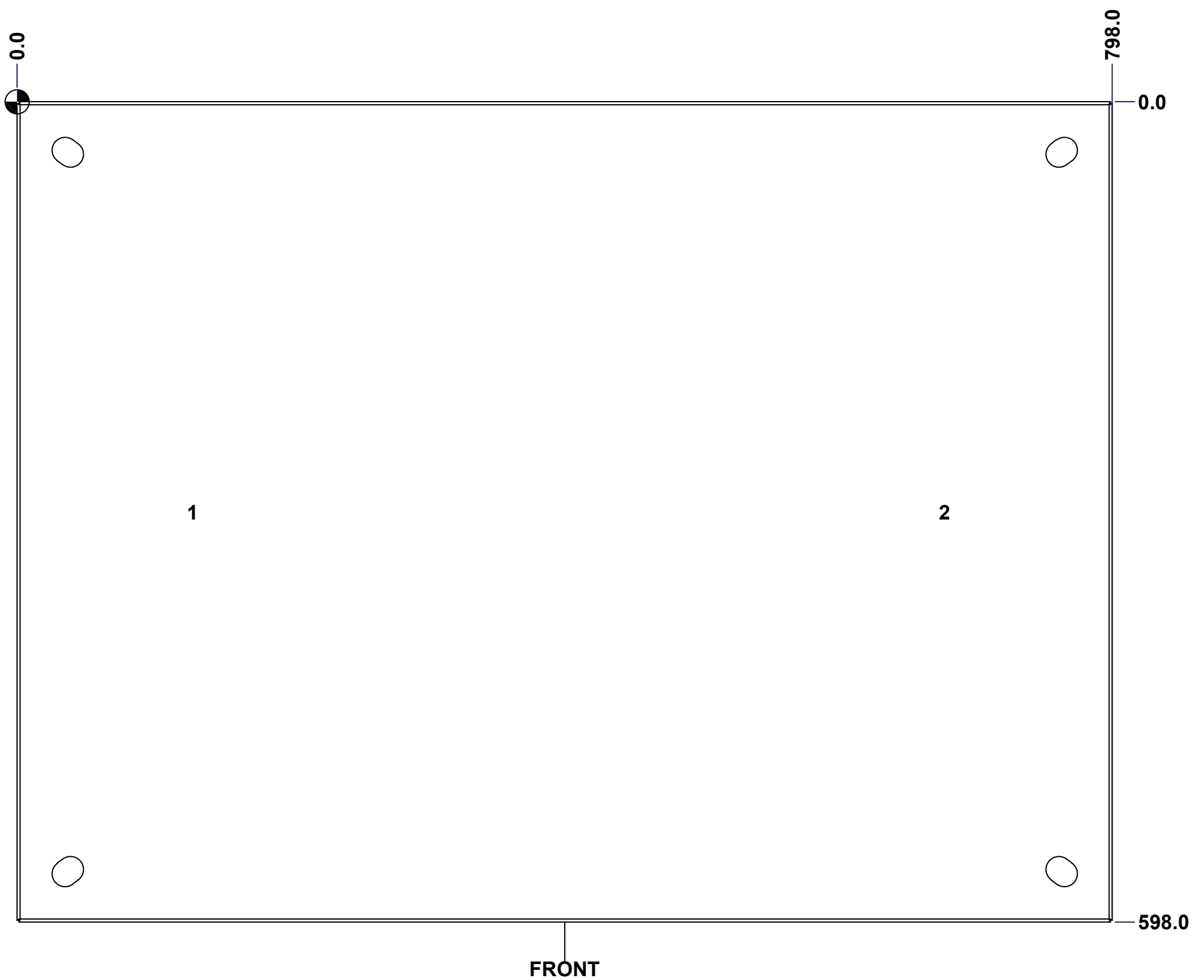
Use gasket program path 6500 MX > 6500 MXT

SEE BILL OF MATERIAL ON LAST PAGE

This drawing is confidential and must not be reproduced or used without the consent of EXM

Ce dessin est confidentiel et ne doit pas être reproduit ou utilisé sans le consentement de EXM

STANDARD FEATURES ARE NOT LISTED IN THIS HOLE TABLE			
HOLE TABLE - FRONT VIEW (CUSTOM FEATURE ONLY)			
CUT-OUT	XDIM	YDIM	DESCRIPTION
1	125.0	299.0	GND STUD M6 x 18mm (Inside)
2	673.0	299.0	GND STUD M6 x 18mm (Inside)



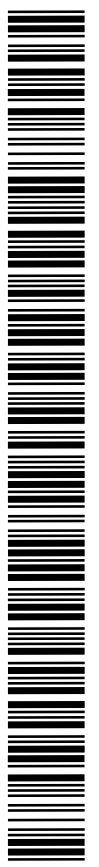
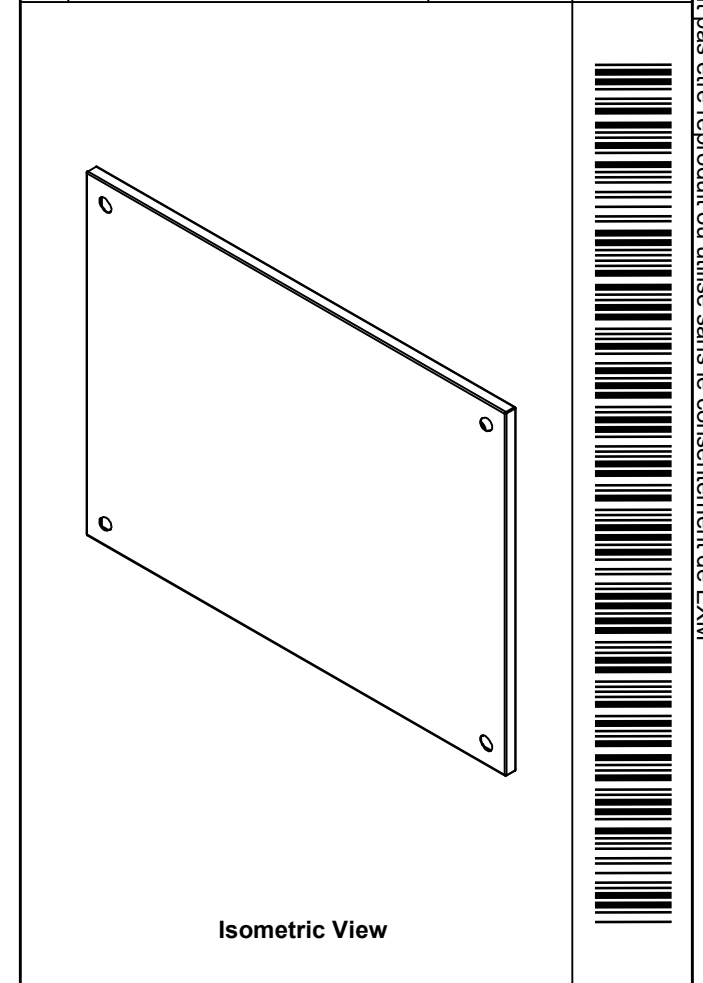
Use bending program path 6500 MX > 6500 MXT


	Description	Status
	6500 MXT 800mm x 600mm Top	(NULL)
	Part Number Numéro Pièce	Rev.
	6500MXK070806T	0 / 6
		18

This drawing is confidential and must not be reproduced or used without the consent of EXM

Ce dessin est confidentiel et ne doit pas être reproduit ou utilisé sans le consentement de EXM

No.	Revisions	Date	By/Par

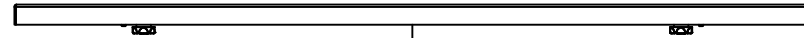


 Tél: (450) 979-4373 Fax: (450) 979-4626 www.exmweb.com		Flatness Aplatissement Max 3.0mm
Customer Client		Date
Drawn By / Dessiné Par: BoxCad: BoxCad		Date: 22-Jan-15
Material / Matière: 16 Ga Cold Rolled A1008 CS Type B		
Color / Couleur: Iron Grey RAL7011	Finish / Fini: Textured	
Description: 6500 MXT 800mm x 600mm Top		Detail Rev.
Part Number / Numéro Pièce: 6500MXK070806T		Rev. 7 0

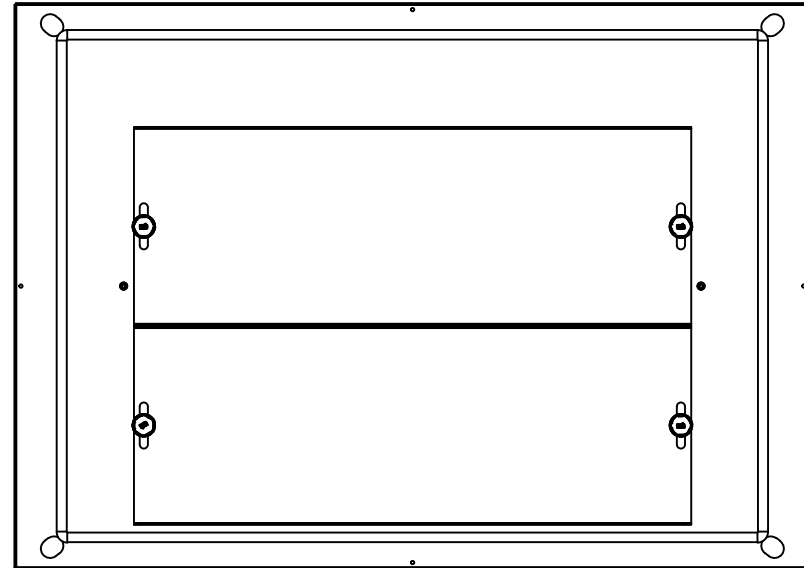
Qty	Part Number	Rev	Description
1	STK-P-03810ST	0	Powder Paint (Iron Grey /Sand Textured)
2	STK-Q-16055	1	M6 x 18mm Stud (No Paint Cap Required)
1	6500MXK070806TG	0	6500 MXT 800mm x 600mm Top Gasket
1	6500MXK070806T-P	0	6500 MXT 800mm x 600mm Top Part
Parts List			

This drawing is confidential and must not be reproduced or used without the consent of EXM

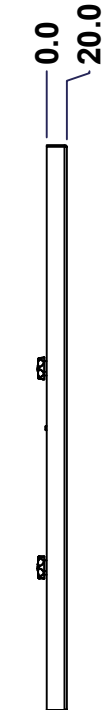
Ce dessin est confidentiel et ne doit pas être reproduit ou utilisé sans le consentement de EXM



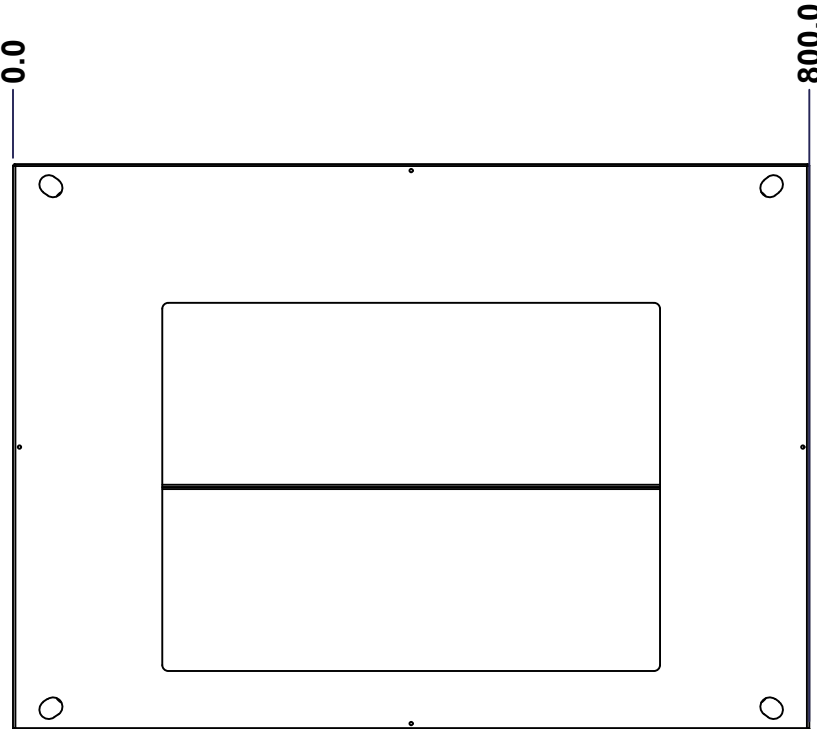
TOP



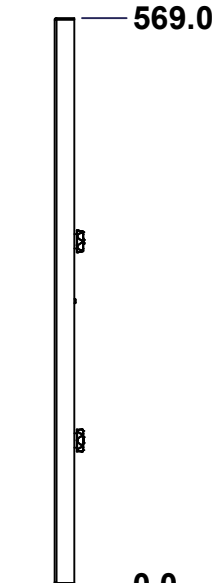
BACK



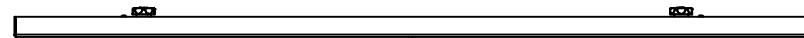
LEFT



FRONT

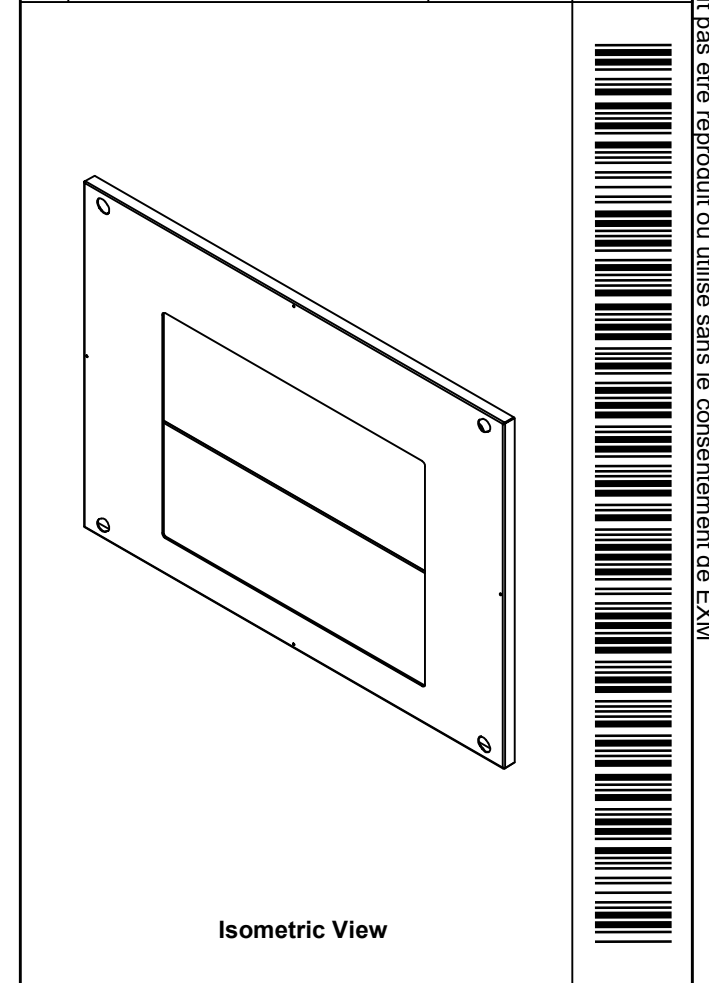


RIGHT



BOTTOM

No.	Revisions	Date	By/Par



Isometric View

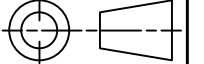


Tél: (450) 979-4373
 Fax: (450) 979-4626
www.exmweb.com

Flatness
Aplatissement

Max 3.0mm

Projection



Customer Client	Date
Drawn By / Dessiné Par: BoxCad: BoxCad	Date: 22-Jan-15
Material / Matière: 16 Ga Cold Rolled A1008 CS Type B	

Color / Couleur: Iron Grey RAL7011	Finish / Fini: Textured
------------------------------------	-------------------------

Description: 6500 MXB 800mm x 600mm Bottom	Detail Rev.
--	-------------

Part Number / Numéro Pièce: 6500MXK070806BT	Rev. 0	8	18
--	--------	---	----

Use gasket program path 6500 MX > 6500MXB

SEE BILL OF MATERIAL ON LAST PAGE

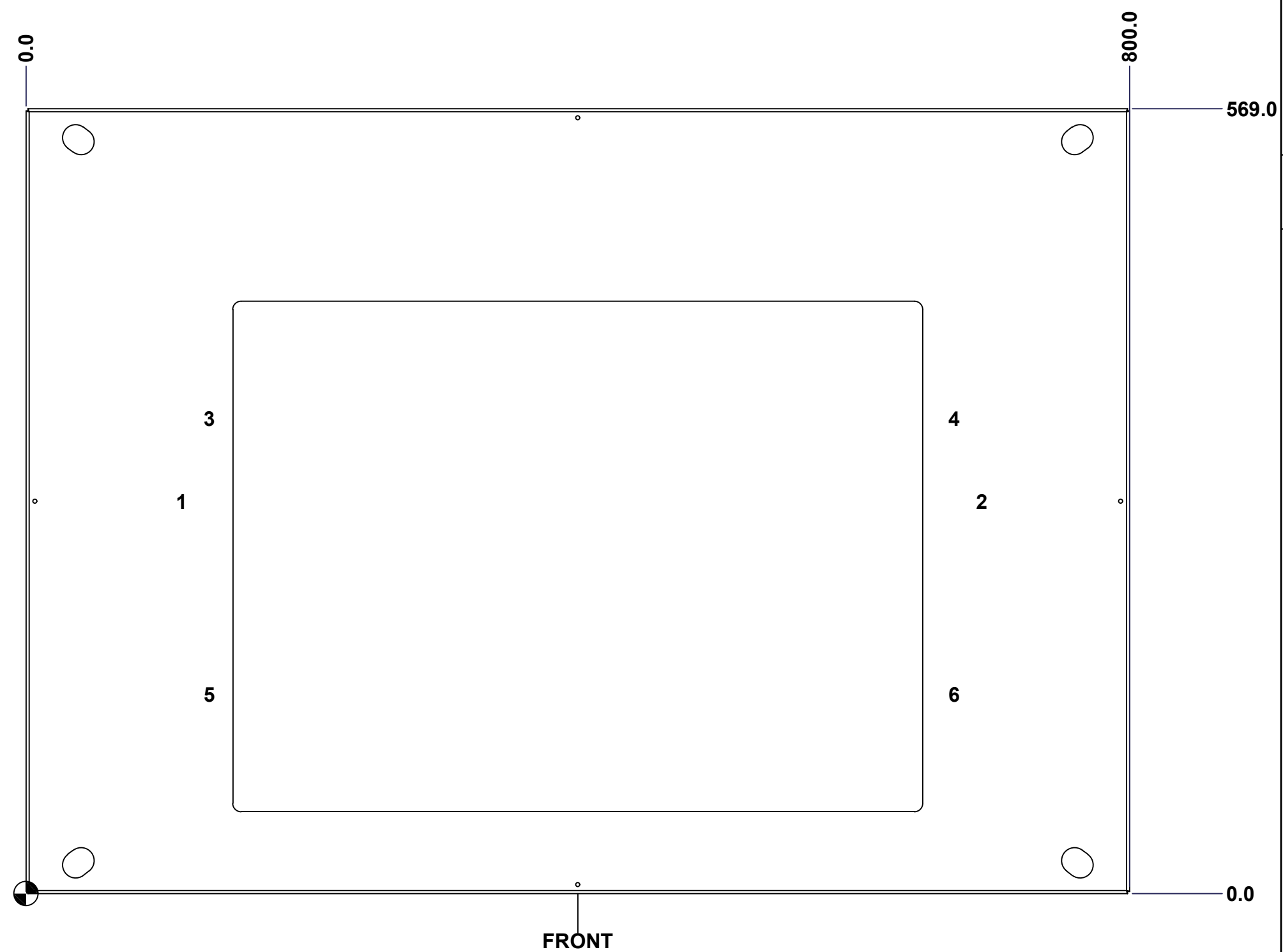
This drawing is confidential and must not be reproduced or used without the consent of EXM

Ce dessin est confidentiel et ne doit pas être reproduit ou utilisé sans le consentement de EXM

STANDARD FEATURES ARE NOT LISTED IN THIS HOLE TABLE

HOLE TABLE - FRONT VIEW (CUSTOM FEATURE ONLY)

CUT-OUT	XDIM	YDIM	DESCRIPTION
1	110.0	284.5	GND STUD M6 x 18mm (Inside)
2	690.0	284.5	GND STUD M6 x 18mm (Inside)
3	130.0	344.5	GP STUD M6 x 18mm (Inside)
4	670.0	344.5	GP STUD M6 x 18mm (Inside)
5	130.0	144.5	GP STUD M6 x 18mm (Inside)
6	670.0	144.5	GP STUD M6 x 18mm (Inside)



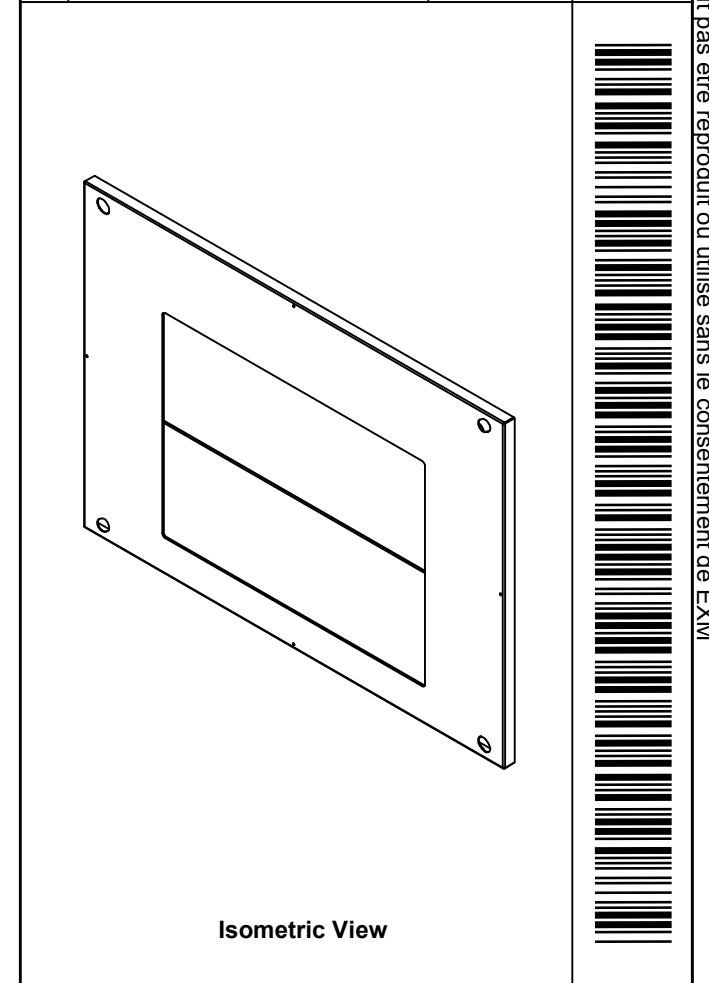
Use bending program path 6500 MX > 6500MXB


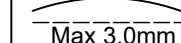
	Description	Status
	6500 MXB 800mm x 600mm Bottom	(NULL)
	Part Number Numéro Pièce	Rev.
	6500MXK070806BT	0 / 9
		18

This drawing is confidential and must not be reproduced or used without the consent of EXM

Ce dessin est confidentiel et ne doit pas être reproduit ou utilisé sans le consentement de EXM

No.	Revisions	Date	By/Par

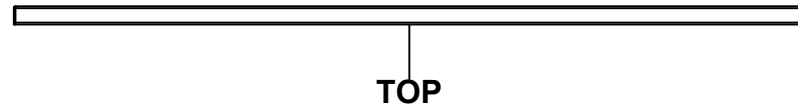


 Tél: (450) 979-4373 Fax: (450) 979-4626 www.exmweb.com		Flatness Aplatissement  Max 3.0mm
Customer Client		Date
Drawn By / Dessiné Par: BoxCad: BoxCad		Date: 22-Jan-15
Material / Matière: 16 Ga Cold Rolled A1008 CS Type B		
Color / Couleur: Iron Grey RAL7011	Finish / Fini: Textured	
Description: 6500 MXB 800mm x 600mm Bottom		Detail Rev.
Part Number / Numéro Pièce: 6500MXK070806BT		Rev. 0

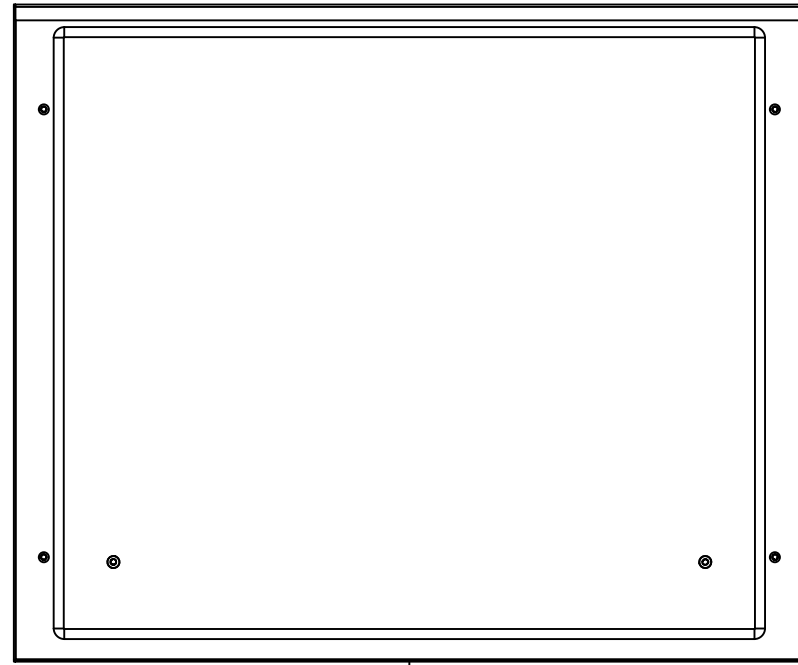
Qty	Part Number	Rev	Description
1	STK-P-03810ST	0	Powder Paint (Iron Grey /Sand Textured)
4	STK-Q-06001	0	Mtrx - Gland Plate M6 Plastic Thumb Nut
6	STK-Q-16055	1	M6 x 18mm Stud (No Paint Cap Required)
2	6500MXK070806GP200-P	0	6500 MXB 800mm Gland Plate Part (200mm)
1	6500MXK070806BTGPG	0	6500 MXB 800mm x 600mm Bottom Gland Plate Gasket
1	6500MXK070806BTG	0	6500 MXB 800mm x 600mm Bottom Gasket
1	6500MXK070806BT-P	0	6500 MXB 800mm x 600mm Bottom Part
Parts List			

This drawing is confidential and must not be reproduced or used without the consent of EXM

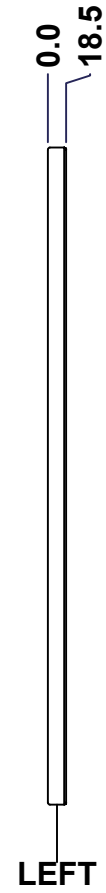
Ce dessin est confidentiel et ne doit pas être reproduit ou utilisé sans le consentement de EXM



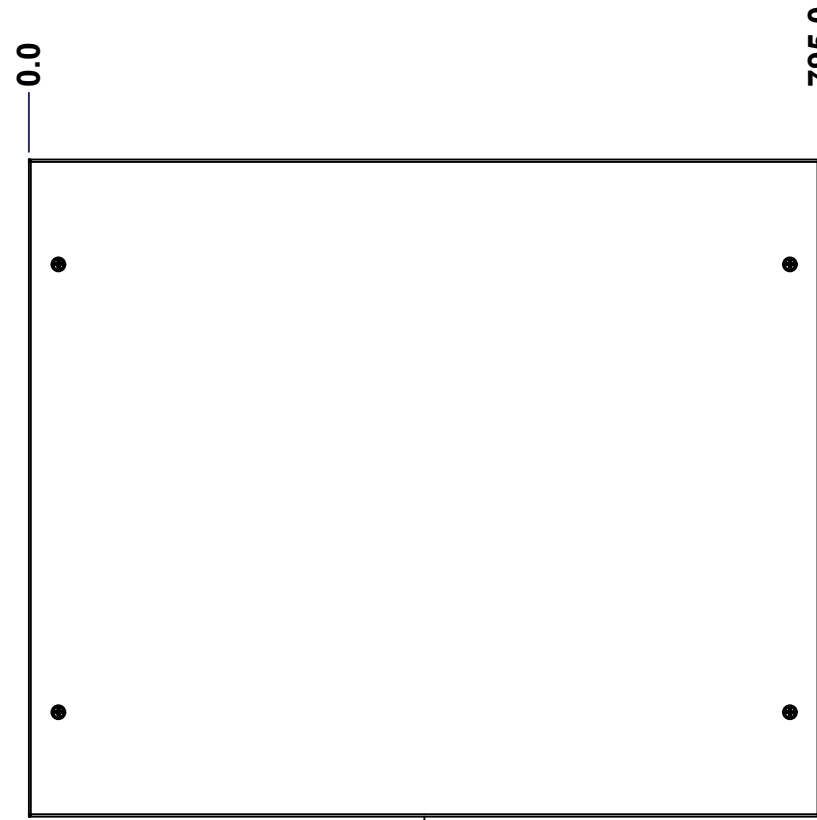
TOP



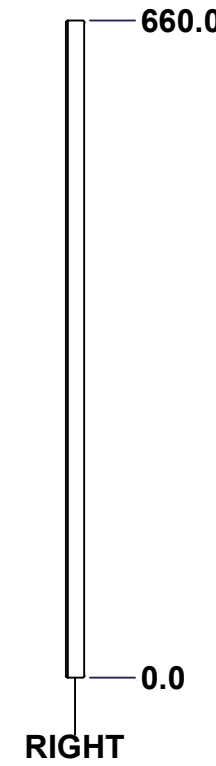
BACK



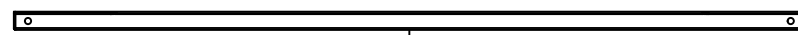
LEFT



FRONT



RIGHT



BOTTOM

No.	Revisions	Date	By/Par

Isometric View

<p>Tél: (450) 979-4373 Fax: (450) 979-4626 www.exmweb.com</p>		Flatness Aplatissement	
		Max 3.0mm	
Projection			
Customer Client		Date	
Drawn By Dessiné Par		Date 22-Jan-15	
Material Matière		16 Ga Cold Rolled A1008 CS Type B	
Color Couleur		Finish Fini	
Light Grey RAL7035		Textured	
Description			Detail Rev.
6500 MXR 700mm x 800mm Back			
Part Number Numéro Pièce		Rev.	
6500MXK070806B		0	11
			18

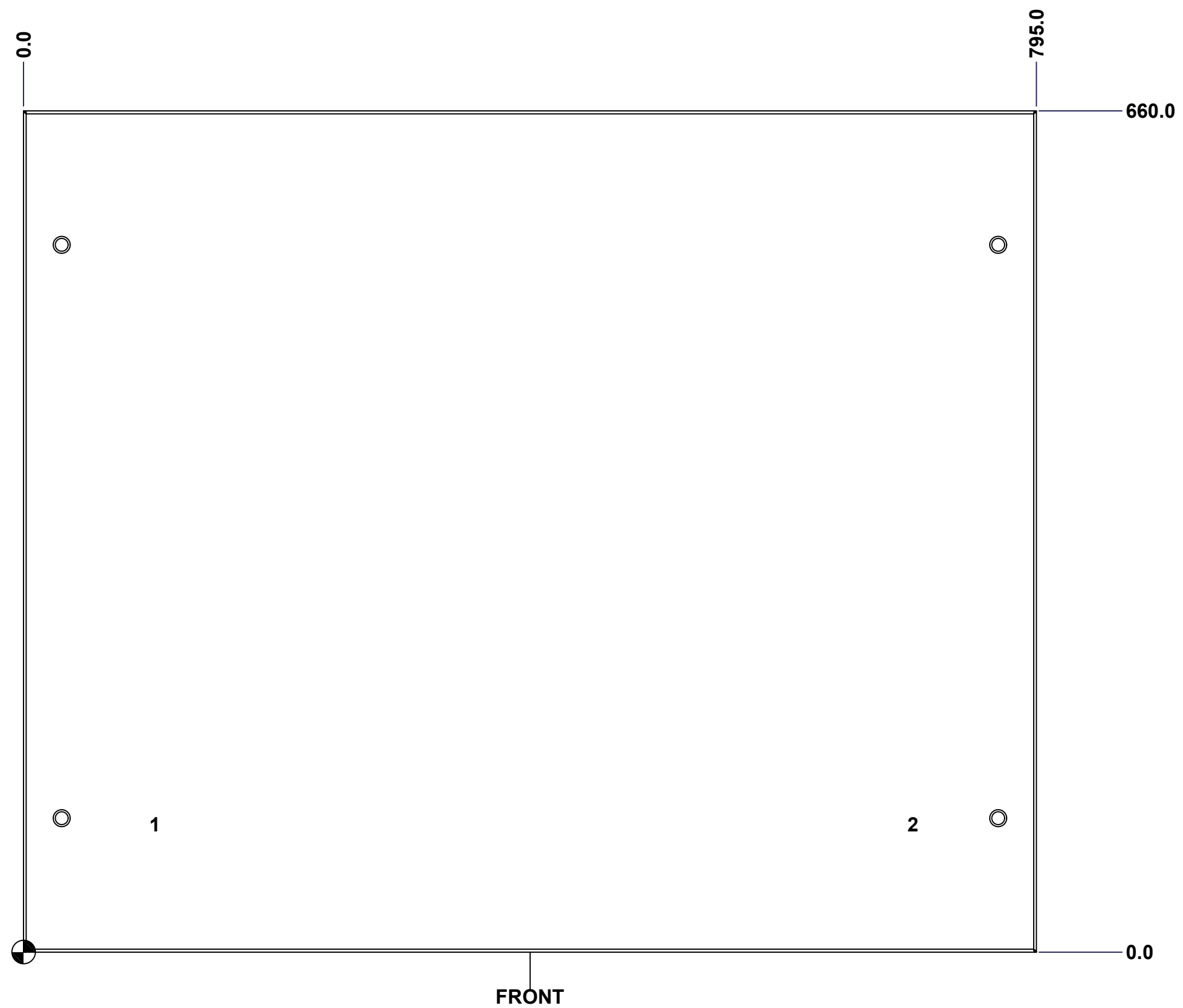
Use gasket program path 6500 MX > 6500 MXR

SEE BILL OF MATERIAL ON LAST PAGE

This drawing is confidential and must not be reproduced or used without the consent of EXM

Ce dessin est confidentiel et ne doit pas être reproduit ou utilisé sans le consentement de EXM

STANDARD FEATURES ARE NOT LISTED IN THIS HOLE TABLE			
HOLE TABLE - FRONT VIEW (CUSTOM FEATURE ONLY)			
CUT-OUT	XDIM	YDIM	DESCRIPTION
1	100.0	100.0	GND STUD M6 x 16mm (Inside)
2	695.0	100.0	GND STUD M6 x 16mm (Inside)



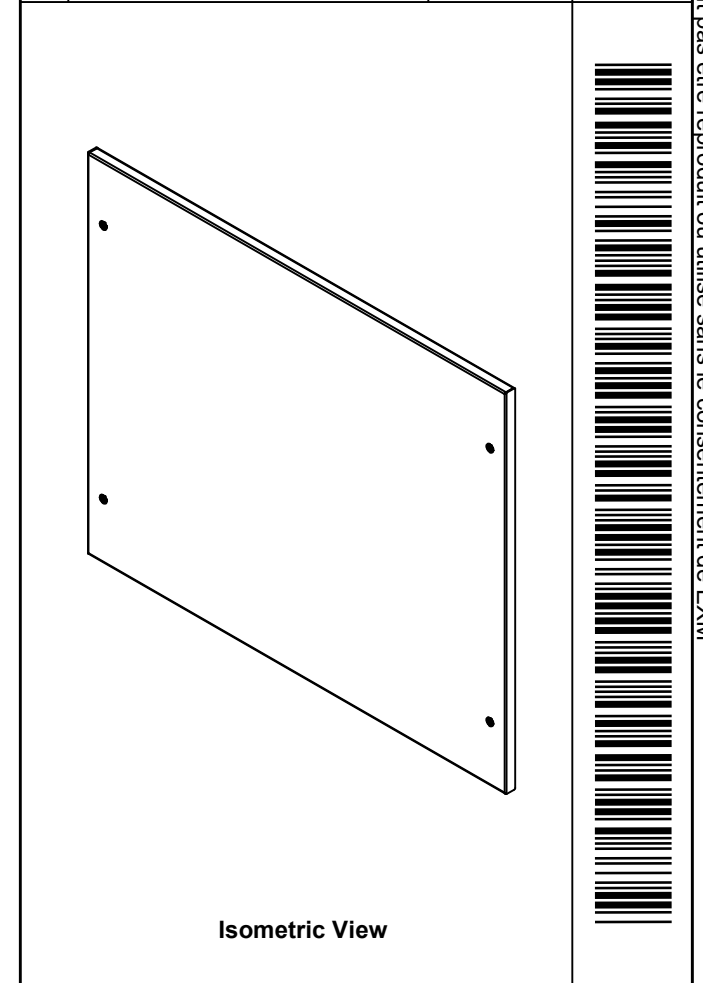
Use bending program path 6500 MX > 6500 MXR

	Description	Status
	6500 MXR 700mm x 800mm Back	(NULL)
	Part Number Numéro Pièce	Rev.
	6500MXK070806B	0
		12
		18

This drawing is confidential and must not be reproduced or used without the consent of EXM

Ce dessin est confidentiel et ne doit pas être reproduit ou utilisé sans le consentement de EXM

No.	Revisions	Date	By/Par

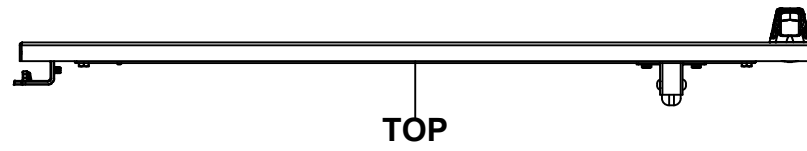


Tél: (450) 979-4373 Fax: (450) 979-4626 www.exmweb.com		Flatness Aplatissement	
		Max 3.0mm 	
Customer Client		Date	
Drawn By Dessiné Par		Date	
Material Matière		Projection	
16 Ga Cold Rolled A1008 CS Type B			
Color Couleur		Finish Fini	
Light Grey RAL7035		Textured	
Description			Detail Rev.
6500 MXR 700mm x 800mm Back			
Part Number Numéro Pièce		Rev.	
6500MXK070806B		0	13 18

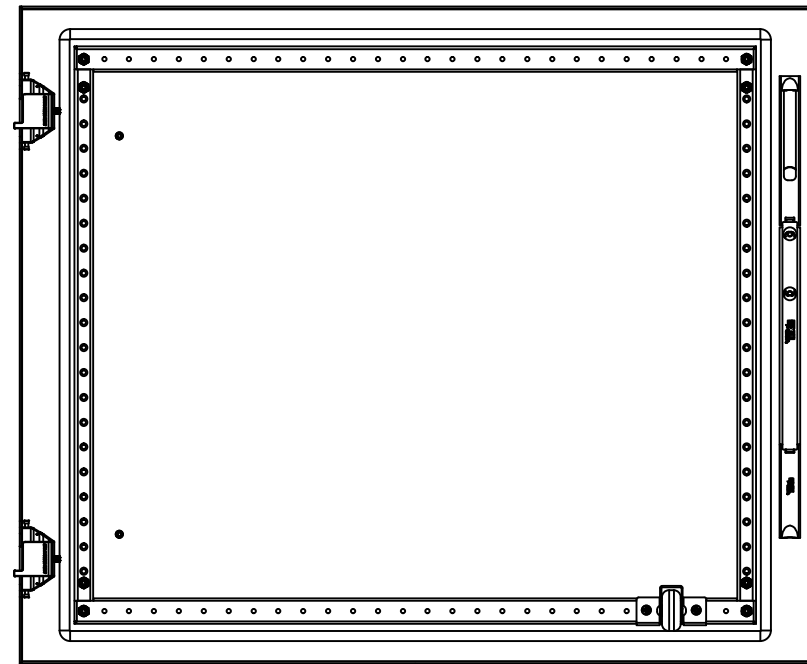
Qty	Part Number	Rev	Description
1	STK-P-03820R	0	Powder Paint (Light Grey / Rough Textured)
1	6500MXK070806BG	0	6500 MXR 700mm x 800mm Back Gasket
4	STK-Q-03071	0	M6 x 16mm Machine Screw
2	STK-Q-16080	0	Ground Stud M6 x 16mm Steel
1	6500MXK070806B-P	0	6500 MXR 700mm x 800mm Back Part
Parts List			

This drawing is confidential and must not be reproduced or used without the consent of EXM

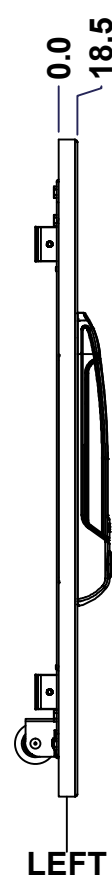
Ce dessin est confidentiel et ne doit pas être reproduit ou utilisé sans le consentement de EXM



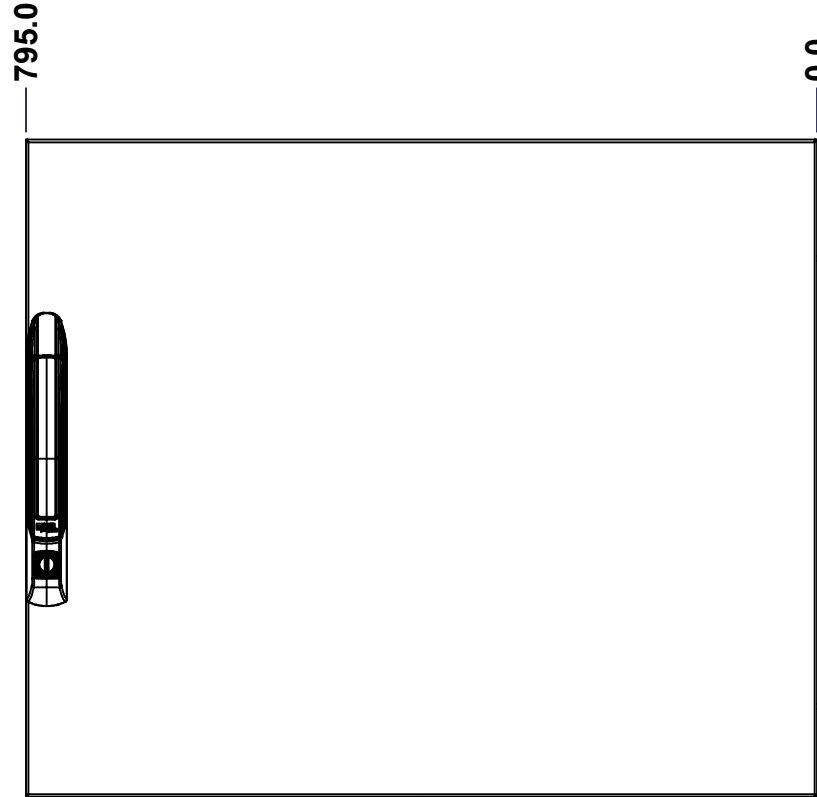
TOP



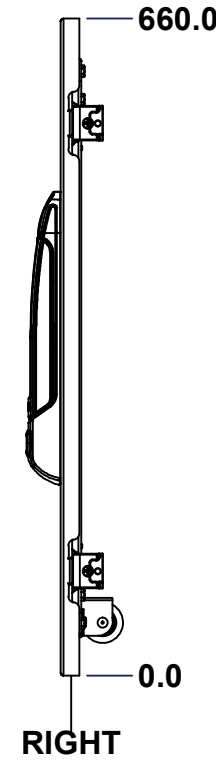
BACK



LEFT



FRONT

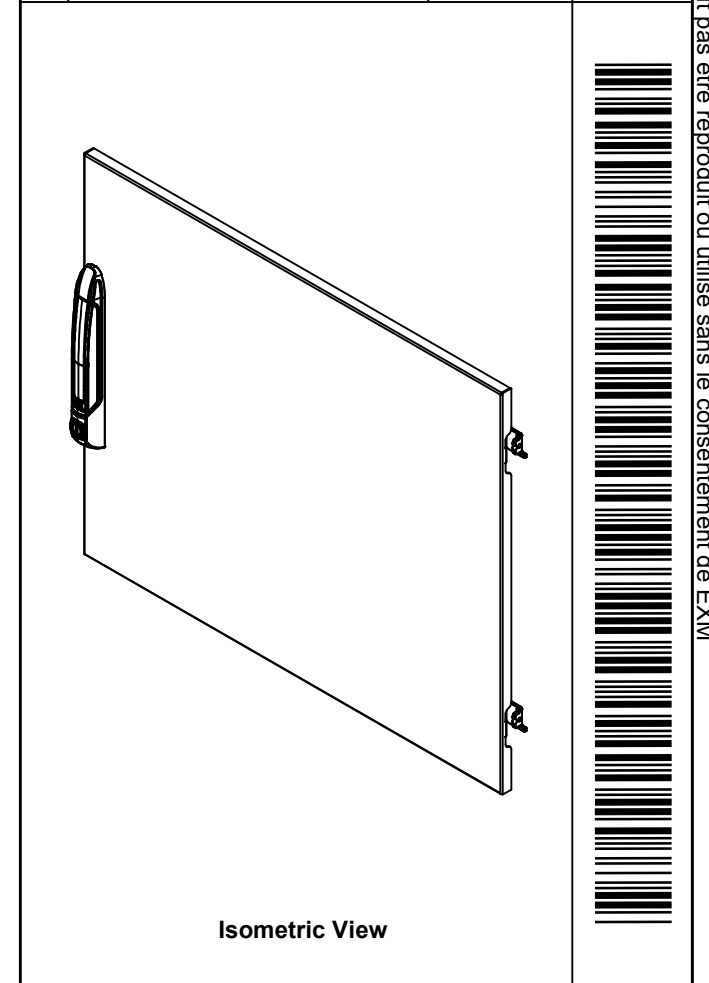


RIGHT



BOTTOM

No.	Revisions	Date	By/Par



Isometric View

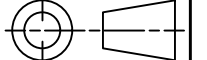


Tél: (450) 979-4373
 Fax: (450) 979-4626
www.exmweb.com

Flatness
Aplatissement

Max 3.0mm

Projection



Customer Client	Date
Drawn By / Dessiné Par: BoxCad: BoxCad	Date: 22-Jan-15
Material / Matière: 14 Ga Cold Rolled A1008 CS Type B	
Color / Couleur: Light Grey RAL7035	Finish / Fini: Textured

Description: 6500 MXD 700mm x 800mm Front	Detail Rev.
---	-------------

Part Number / Numéro Pièce: 6500MXK070806F	Rev. 0	14	18
---	--------	----	----

Use gasket program path 6500 MX > 6500 MXD

SEE BILL OF MATERIAL ON LAST PAGE

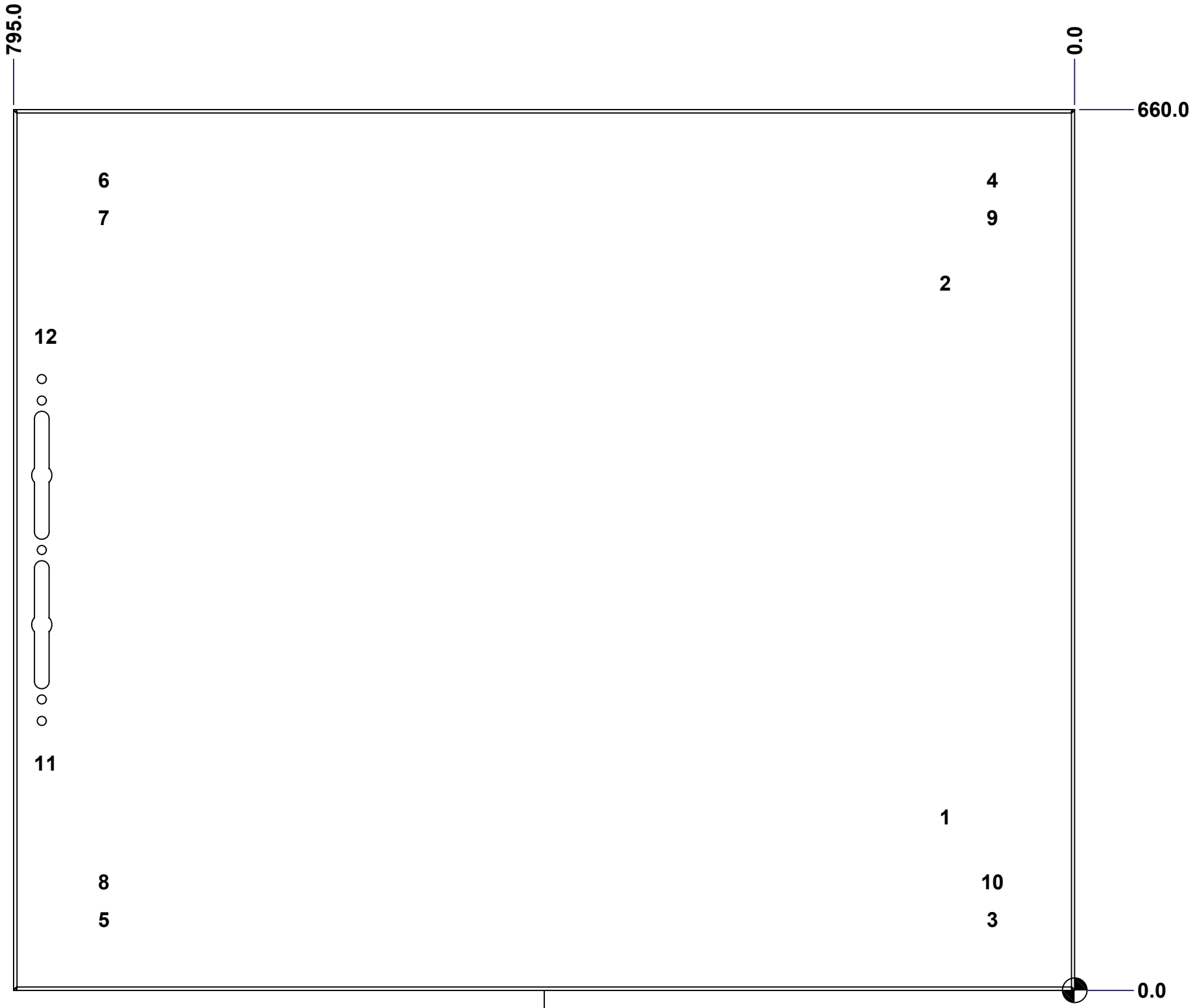
This drawing is confidential and must not be reproduced or used without the consent of EXM

Ce dessin est confidentiel et ne doit pas être reproduit ou utilisé sans le consentement de EXM

STANDARD FEATURES ARE NOT LISTED IN THIS HOLE TABLE

HOLE TABLE - FRONT VIEW (CUSTOM FEATURE ONLY)

CUT-OUT	XDIM	YDIM	DESCRIPTION
1	100.0	130.0	GND STUD M6 x 16mm (Inside)
2	100.0	530.0	GND STUD M6 x 16mm (Inside)
3	64.5	52.8	STIFF. STUD M6 x 18mm (Inside)
4	64.5	607.2	STIFF. STUD M6 x 18mm (Inside)
5	730.5	52.8	STIFF. STUD M6 x 18mm (Inside)
6	730.5	607.2	STIFF. STUD M6 x 18mm (Inside)
7	730.5	579.0	STIFF. STUD M6 x 18mm (Inside)
8	730.5	81.0	STIFF. STUD M6 x 18mm (Inside)
9	64.5	579.0	STIFF. STUD M6 x 18mm (Inside)
10	64.5	81.0	STIFF. STUD M6 x 18mm (Inside)
11	774.0	170.0	LARGE CBAR GUIDE (Inside)
12	774.0	490.0	LARGE CBAR GUIDE (Inside)



FRONT

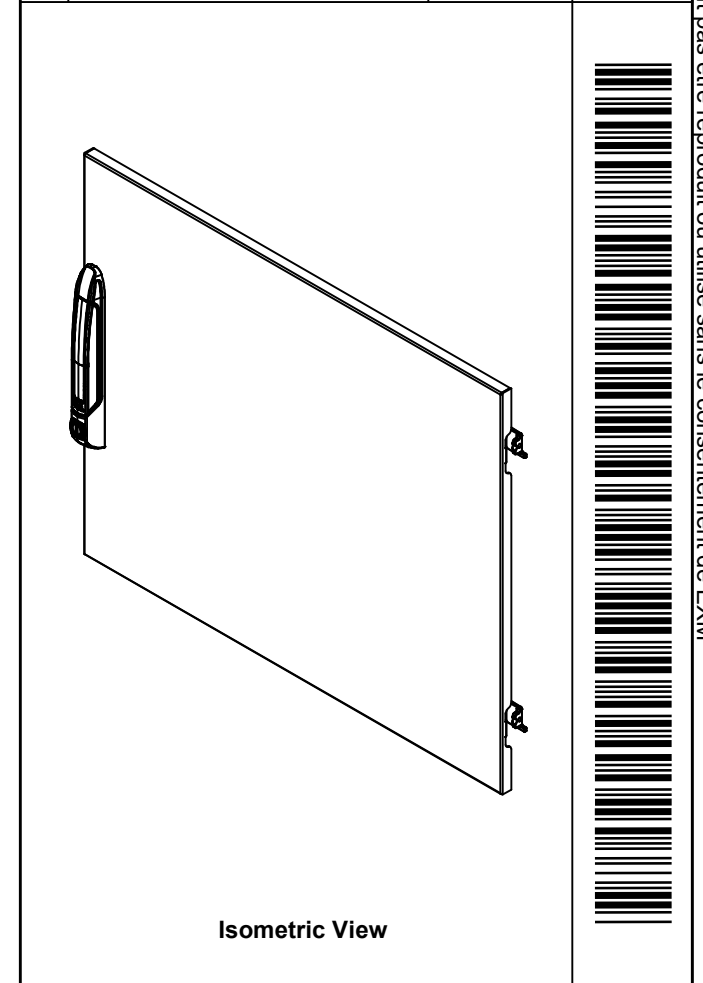
Use bending program path 6500 MX > 6500 MXD

	Description	Status	
	6500 MXD 700mm x 800mm Front	(NULL)	
	Part Number Numéro Pièce	Rev.	15
	6500MXK070806F	0	18

This drawing is confidential and must not be reproduced or used without the consent of EXM

Ce dessin est confidentiel et ne doit pas être reproduit ou utilisé sans le consentement de EXM

No.	Revisions	Date	By/Par



EXM
exm

Tél: (450) 979-4373
Fax: (450) 979-4626
www.exmweb.com

Flatness
Aplatissement
Max 3.0mm

Projection

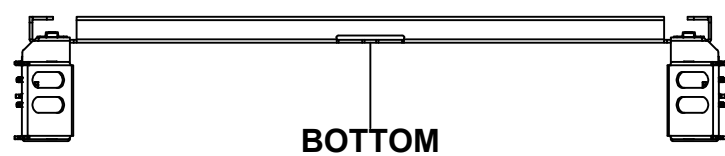
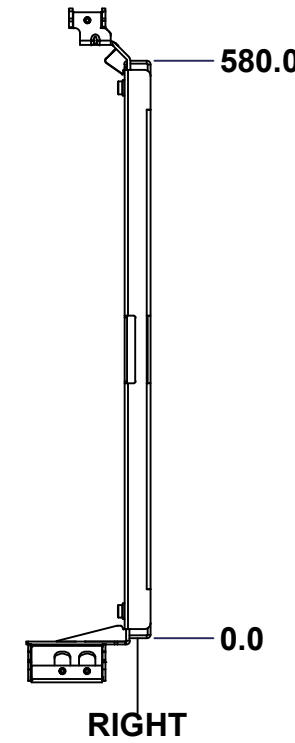
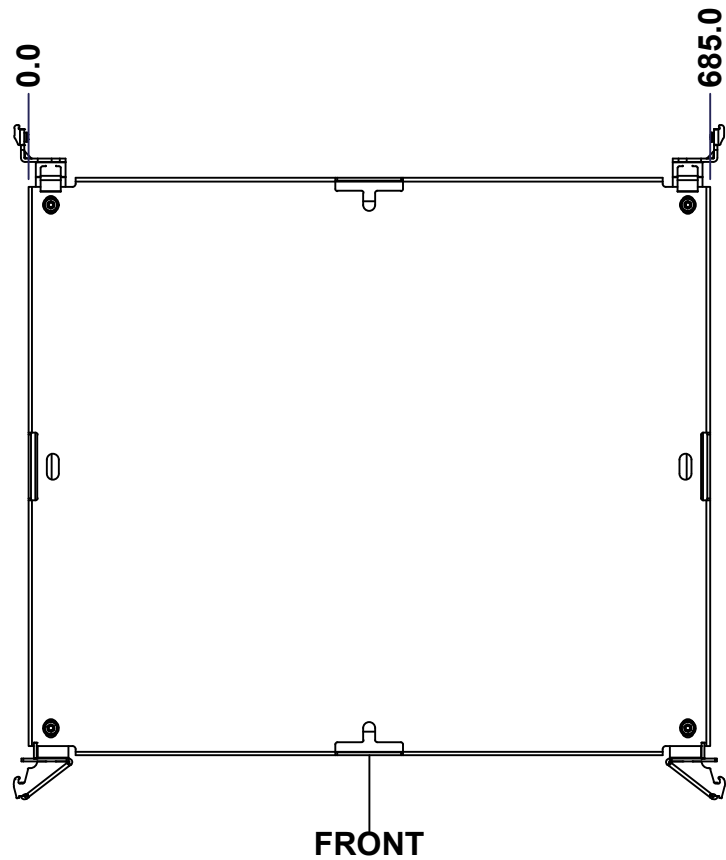
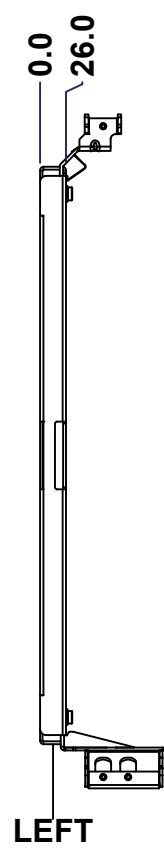
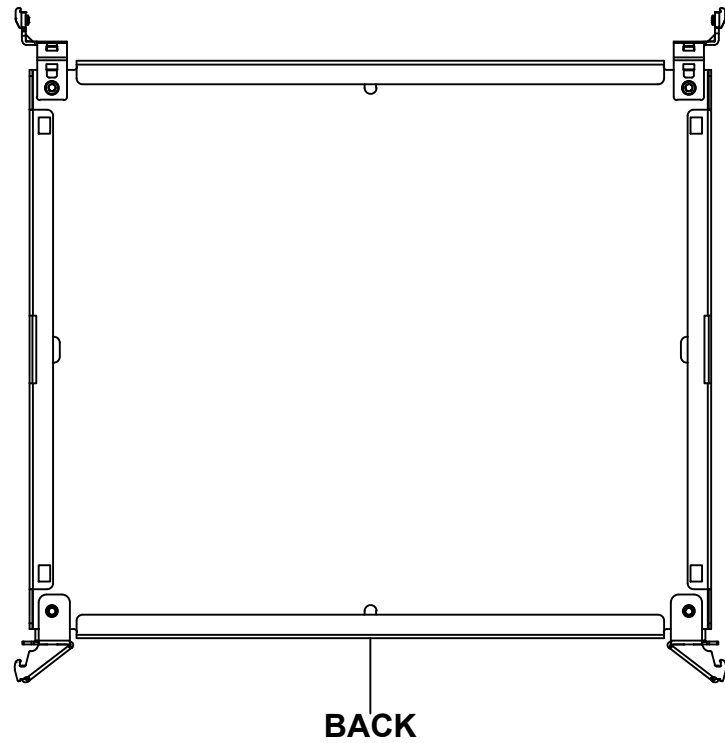
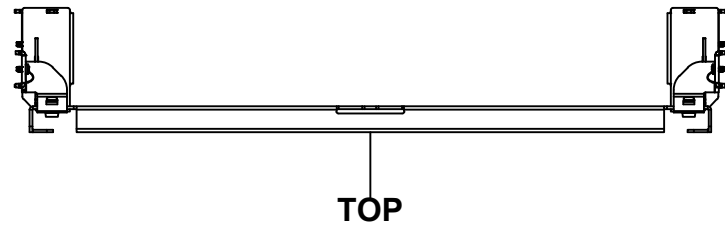
1	STK-P-03820R	0	Powder Paint (Light Grey / Rough Textured)
1	STK-A-45758	4	886 PH2 Pull Handle Bridge - Assembly
1	STK-A-51160	0	886PH2-SL - Pull Handle Lock - Assembly
1	STK-Q-45662-07	1	6500 MX - Lower Closing Bar 700mm
1	STK-Q-45661-07	1	6500 MX - Upper Closing Bar 700mm
1	6500MXSRK	1	6500 MXRSK Door Support Roller
2	STK-Q-16410	0	Guide Stud - Larget (No Paint Cap Required)
2	STK-K-06810	7	6500 MX Hinge Assy
10	STK-Q-16055	1	M6 x 18mm Stud (No Paint Cap Required)
1	6500MXK070806DS1	5	6500 MX 700mm x 800mm Door Stiffener
1	6500MXK070806FG	0	6500 MXD 700mm x 800mm Front Gasket
1	6500MXK070806F-P	0	6500 MXD 700mm x 800mm Front Part

Customer Client	Date
Drawn By Dessiné Par BoxCad: BoxCad	Date 22-Jan-15
Material Matière	14 Ga Cold Rolled A1008 CS Type B
Color Couleur	Light Grey RAL7035
Finish Fini	Textured
Description	Detail Rev.
6500 MXD 700mm x 800mm Front	
Part Number Numéro Pièce	Rev. 16
6500MXK070806F	0 18

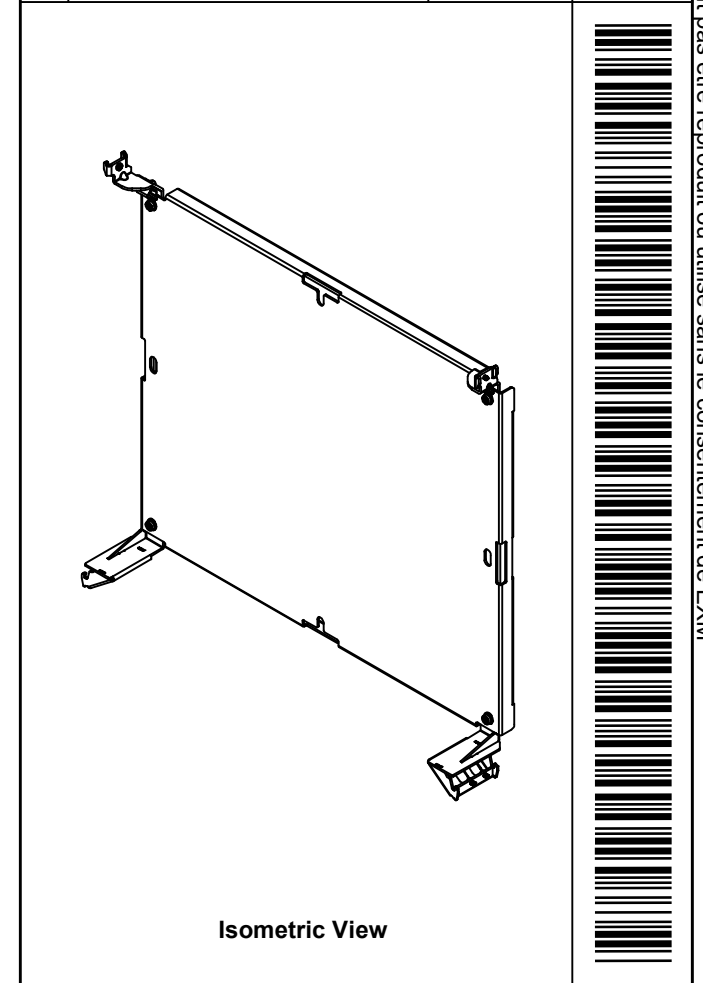
Qty	Part Number	Rev	Description
Parts List			

This drawing is confidential and must not be reproduced or used without the consent of EXM

Ce dessin est confidentiel et ne doit pas être reproduit ou utilisé sans le consentement de EXM



No.	Revisions	Date	By/Par



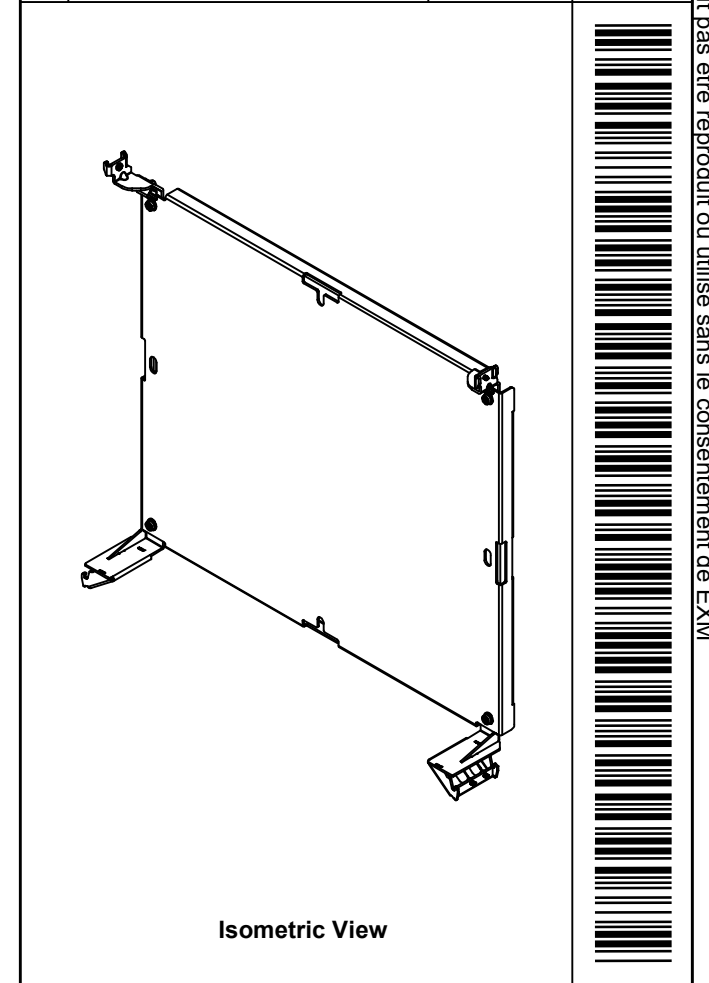
Tél: (450) 979-4373 Fax: (450) 979-4626 www.exmweb.com		Flatness Aplatissement
		Max 3.0mm
Customer Client		Date
Drawn By / Dessiné Par: BoxCad: BoxCad		Date: 22-Jan-15
Material / Matière: 12 Ga Galvanized (2.5mm)		
Color / Couleur: Unpainted	Finish / Fini: Unpainted	
Description: 6500 MXM 700mm x 800mm Back Inner Panel		Detail Rev.
Part Number / Numéro Pièce: 6500MXK070806BIP		Rev. 17 0 18


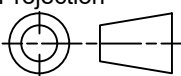
SEE BILL OF MATERIAL ON LAST PAGE

This drawing is confidential and must not be reproduced or used without the consent of EXM

Ce dessin est confidentiel et ne doit pas être reproduit ou utilisé sans le consentement de EXM

No.	Revisions	Date	By/Par



 Tél: (450) 979-4373 Fax: (450) 979-4626 www.exmweb.com		Flatness Aplatissement Max 3.0mm Projection 
Customer Client	Date	
Drawn By Dessiné Par	BoxCad: BoxCad	Date 22-Jan-15
Material Matière	12 Ga Galvanized (2.5mm)	
Color Couleur	Unpainted	Finish Fini Unpainted
Description	Detail Rev.	
6500 MXM 700mm x 800mm Back Inner Panel		
Part Number Numéro Pièce	Rev.	18
6500MXK070806BIP	0	18

Qty	Part Number	Rev	Description
1	STK-A-49005	5	6500 MXM - Bottom Inner Panel Support Assembly (Right)
1	STK-A-49000	5	6500 MXM - Bottom Inner Panel Support Assembly (Left)
1	STK-A-49015	0	6500MXM - Top Inner Panel Support Kit (Right)
1	STK-A-49010	0	6500MXM - Top Inner Panel Support Kit (Left)
1	6500MXK070806BIP-P	0	6500 MXM 700mm x 800mm Back Inner Panel Part
Parts List			