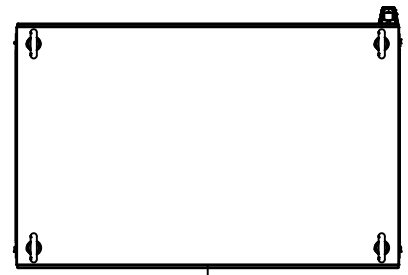
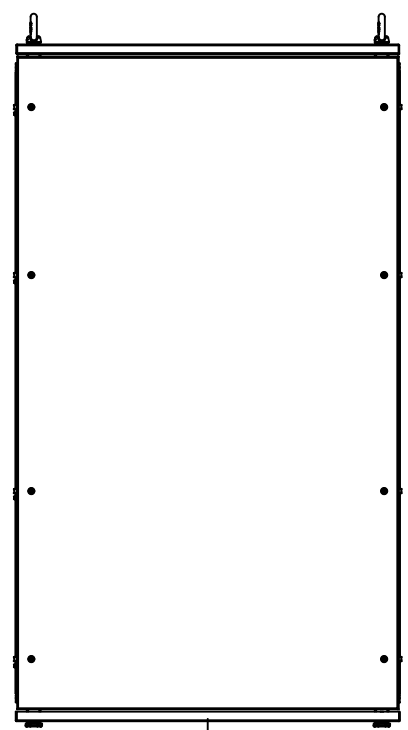


This drawing is confidential and must not be reproduced or used without the consent of EXM

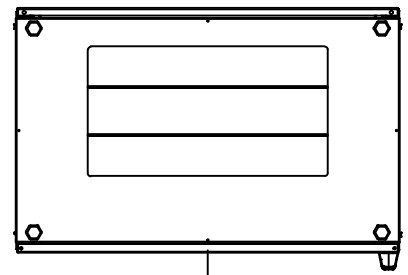
Ce dessin est confidentiel et ne doit pas être reproduit ou utilisé sans le consentement de EXM



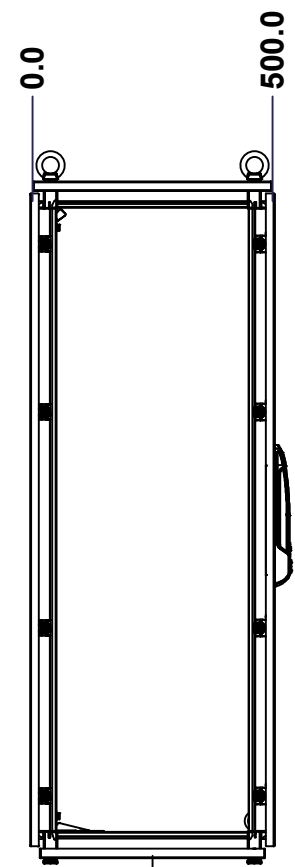
TOP



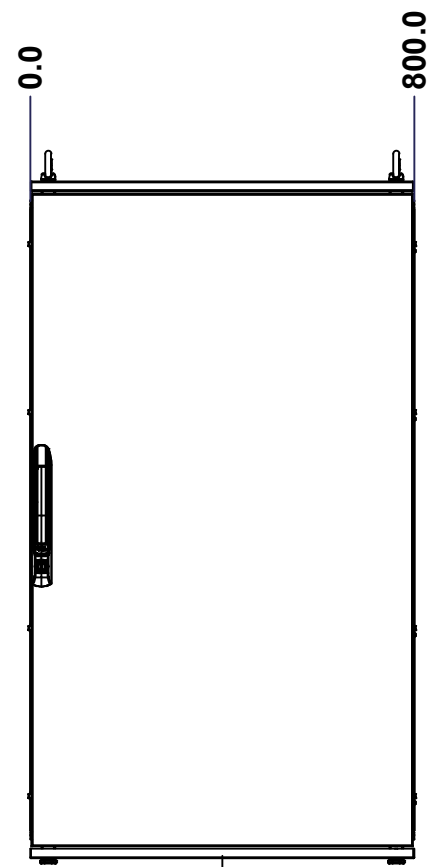
BACK



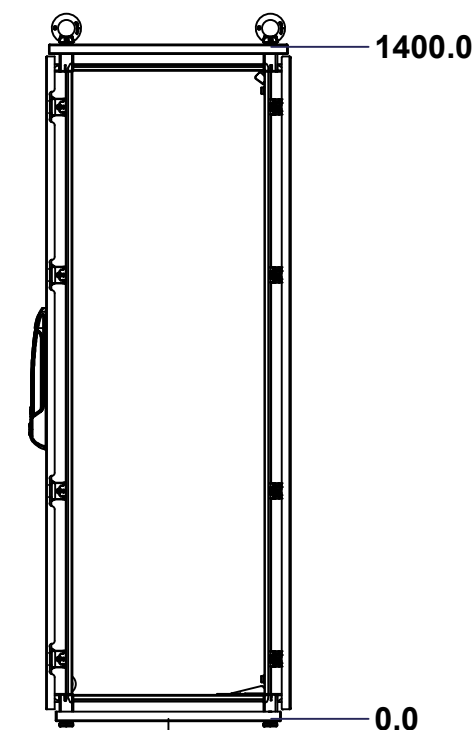
BOTTOM



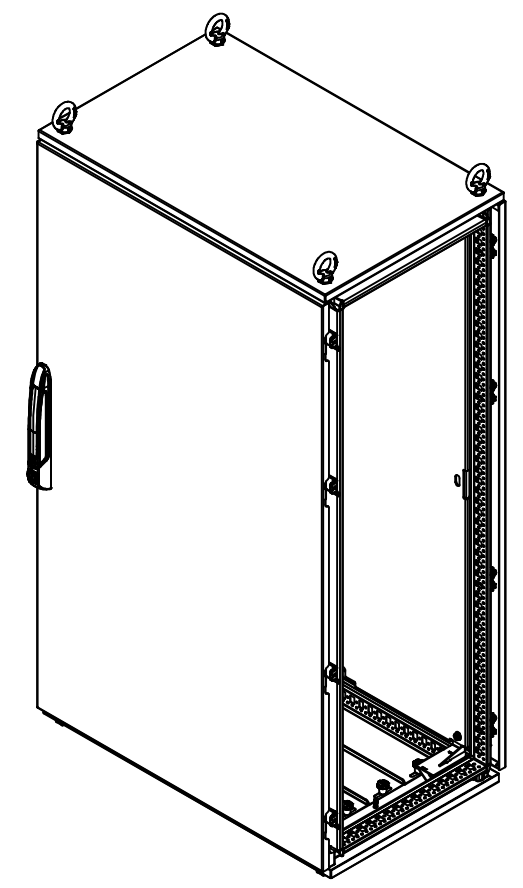
LEFT



FRONT




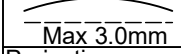
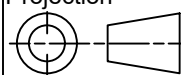
RIGHT



Isometric View



| No. | Revisions | Date | By/Par |
|-----|-----------|------|--------|
| | | | |
| | | | |
| | | | |
| | | | |

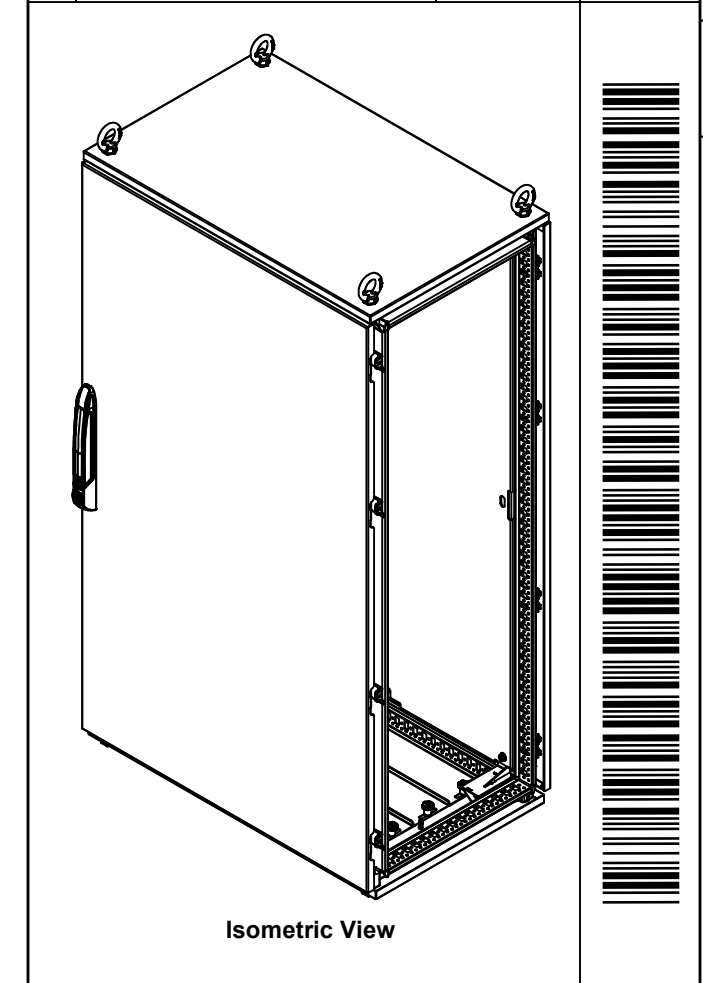
| | | |
|--|----------------------|---|
|  Tél: (450) 979-4373 Fax: (450) 979-4626 www.exmweb.com | | Flatness Aplatissement  Max 3.0mm Projection  |
| Customer Client | | Date |
| Drawn By Dessiné Par | BoxCad: BoxCad | Date 22-Jan-15 |
| Material Matière | See Part List | |
| Color Couleur | See Part List | Finish Fini See Part List |
| Description 6500MX 1400mm x 800mm x 500mm Assembly | | Detail Rev. |
| Part Number Numéro Pièce | 6500MXK140805 | Rev. 1 0 |

SEE BILL OF MATERIAL ON LAST PAGE

This drawing is confidential and must not be reproduced or used without the consent of EXM

Ce dessin est confidentiel et ne doit pas être reproduit ou utilisé sans le consentement de EXM

| No. | Revisions | Date | By/Par |
|-----|-----------|------|--------|
| | | | |
| | | | |
| | | | |
| | | | |
| | | | |

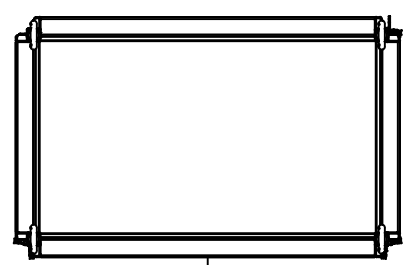


| | | |
|--|--|------------------------------|
| Tél: (450) 979-4373 Fax: (450) 979-4626 www.exmweb.com | | Flatness Aplatissement |
| | | Max 3.0mm |
| Customer Client Drawn By / Dessiné Par: BoxCad: BoxCad | | Projection |
| | | |
| Date | | Date 22-Jan-15 |
| Material / Matière: See Part List | | |
| Color / Couleur: See Part List | | Finish / Fini: See Part List |
| Description: 6500MX 1400mm x 800mm x 500mm Assembly | | Detail Rev. |
| Part Number / Numéro Pièce: 6500MXK140805 | | Rev. 2 |
| | | 18 |

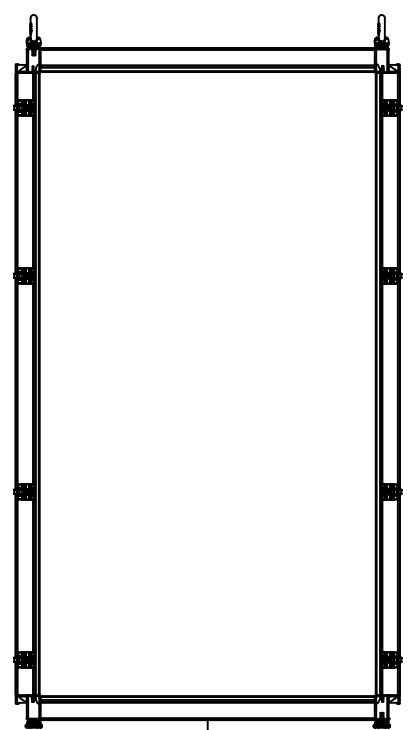
| Qty | Part Number | Rev | Description |
|------------|------------------|-----|--|
| 1 | 6500MXK140805BIP | 0 | 6500 MXM 1400mm x 800mm Back Inner Panel |
| 1 | 6500MXK140805F | 0 | 6500 MXD 1400mm x 800mm Front |
| 1 | 6500MXK140805B | 0 | 6500 MXR 1400mm x 800mm Back |
| 1 | 6500MXK140805BT | 0 | 6500 MXB 800mm x 500mm Bottom |
| 1 | 6500MXK140805T | 0 | 6500 MXT 800mm x 500mm Top |
| 1 | 6500MXK140805FR | 0 | 6500 MX 1400mm x 800mm x 500mm Frame |
| Parts List | | | |

This drawing is confidential and must not be reproduced or used without the consent of EXM

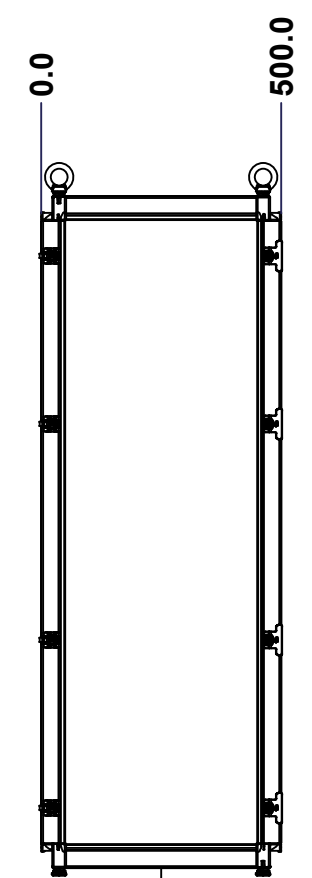
Ce dessin est confidentiel et ne doit pas être reproduit ou utilisé sans le consentement de EXM



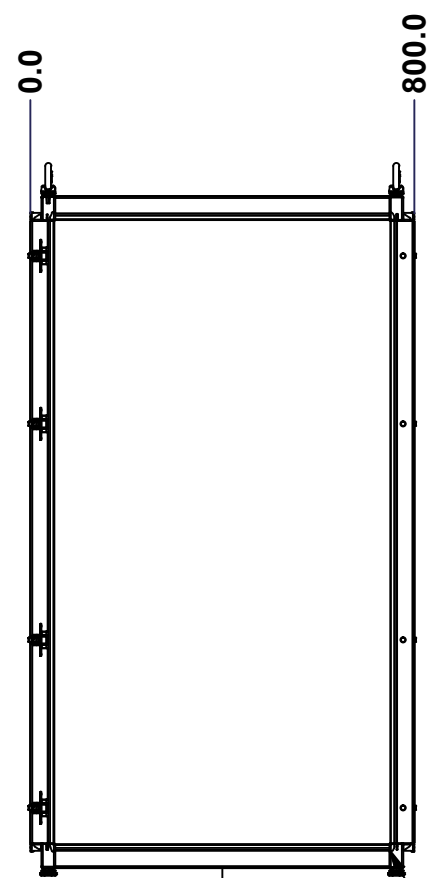
TOP



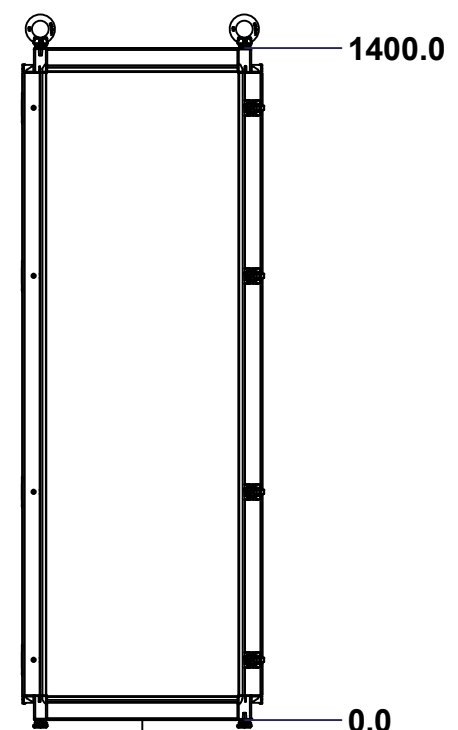
BACK



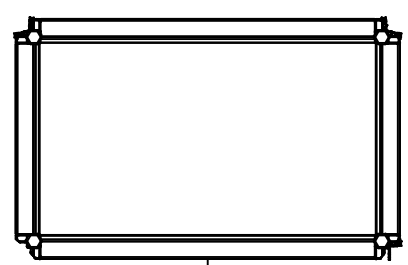
LEFT



FRONT



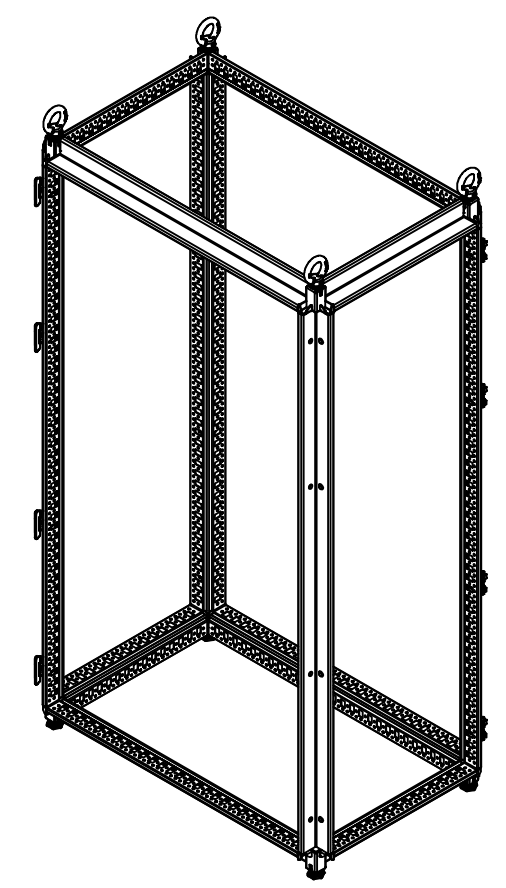
RIGHT



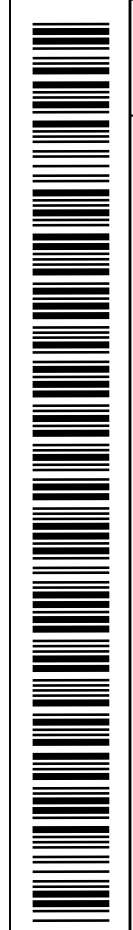
BOTTOM


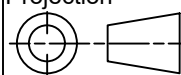
Grind excess weld off corner(s)

| No. | Revisions | Date | By/Par |
|-----|-----------|------|--------|
| | | | |
| | | | |
| | | | |
| | | | |



Isometric View



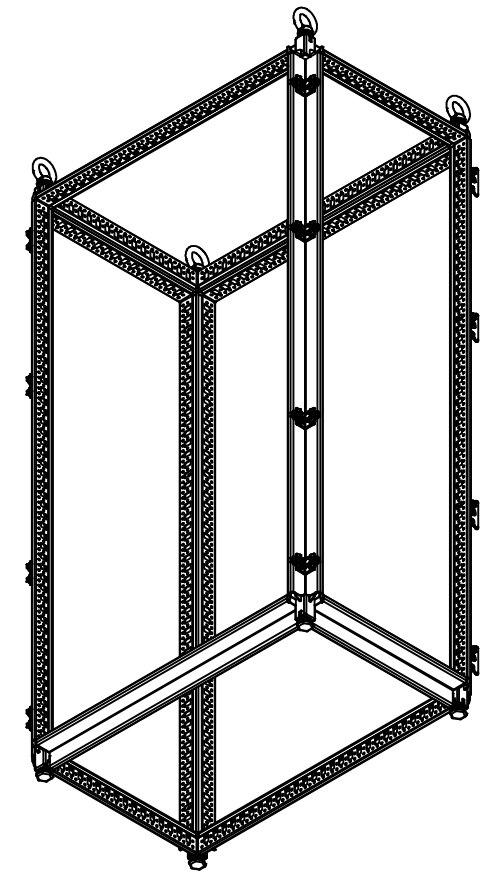
| | | |
|--|----------------------------------|---|
|  Tél: (450) 979-4373 Fax: (450) 979-4626 www.exmweb.com | | Flatness Aplatissement Max 3.0mm Projection  |
| Customer Client | Date | |
| Drawn By Dessiné Par | BoxCad: BoxCad | Date 22-Jan-15 |
| Material Matière | 16 Ga Electro-Galvanized (1.4mm) | |
| Color Couleur | Iron Grey RAL7011 | Finish Fini Textured |
| Description | Detail Rev. | |
| 6500 MX 1400mm x 800mm x 500mm Frame | | |
| Part Number Numéro Pièce | Rev. | |
| 6500MXK140805FR | 0 | 3 18 |

SEE BILL OF MATERIAL ON LAST PAGE

This drawing is confidential and must not be reproduced or used without the consent of EXM

Ce dessin est confidentiel et ne doit pas être reproduit ou utilisé sans le consentement de EXM

| No. | Revisions | Date | By/Par |
|-----|-----------|------|--------|
| | | | |
| | | | |
| | | | |
| | | | |
| | | | |



Isometric View



Tél: (450) 979-4373
 Fax: (450) 979-4626
www.exmweb.com

Flatness
Aplatissement
Max 3.0mm
Projection

| | | | |
|----|----------------|---|---|
| 1 | STK-P-03810ST | 0 | Powder Paint (Iron Grey /Sand Textured) |
| 4 | STK-Q-47250-08 | 6 | 6500 MX 800mm Horizontal Frame Post Part |
| 4 | STK-Q-47250-05 | 6 | 6500 MX 500mm Horizontal Frame Post Part |
| 4 | STK-A-70589 | 9 | 6500 MX Fixed Side Panel Bracket Assembly |
| 16 | STK-Q-77120 | 1 | 6500MX-Frame Rubber Plug |
| 8 | STK-A-70580 | 9 | Mtrx Bracket |
| 8 | STK-Q-00610 | 3 | M16 x 30.0mm Bolt |
| 8 | STK-A-49448 | 6 | 6500 MX - Frame Sheet Metal Corner Assembly |
| 4 | STK-Q-49500 | 3 | M12 Eye Bolt (0.34T) |
| 4 | STK-Q-61110 | 0 | M12 Feet Leveler |
| 4 | STK-Q-47251-14 | 6 | 6500 MX 1400mm Vertical Frame Post Part |

| | |
|--|----------------------------------|
| Customer Client | Date |
| Drawn By Dessiné Par BoxCad: BoxCad | Date 22-Jan-15 |
| Material Matière | 16 Ga Electro-Galvanized (1.4mm) |
| Color Couleur Iron Grey RAL7011 | Finish Fini Textured |
| Description 6500 MX 1400mm x 800mm x 500mm Frame | Detail Rev. |
| Part Number Numéro Pièce 6500MXK140805FR | Rev. 4 0 |

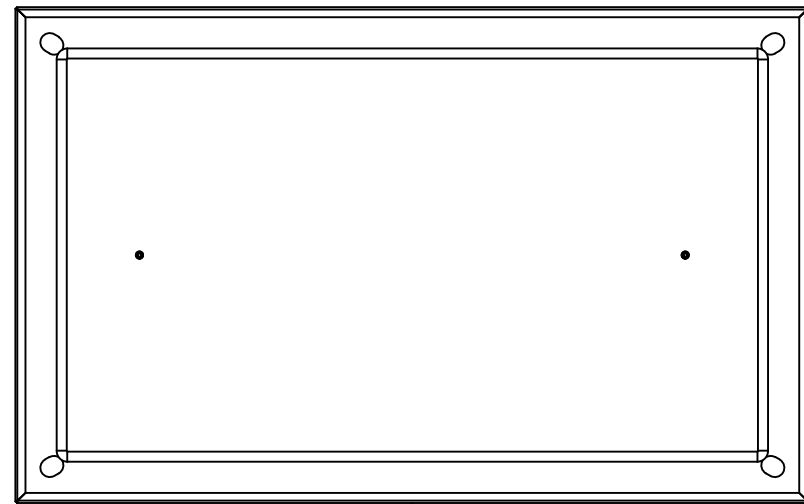
| Qty | Part Number | Rev | Description |
|------------|-------------|-----|-------------|
| Parts List | | | |

This drawing is confidential and must not be reproduced or used without the consent of EXM

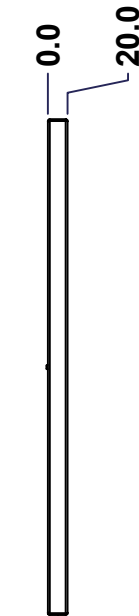
Ce dessin est confidentiel et ne doit pas être reproduit ou utilisé sans le consentement de EXM



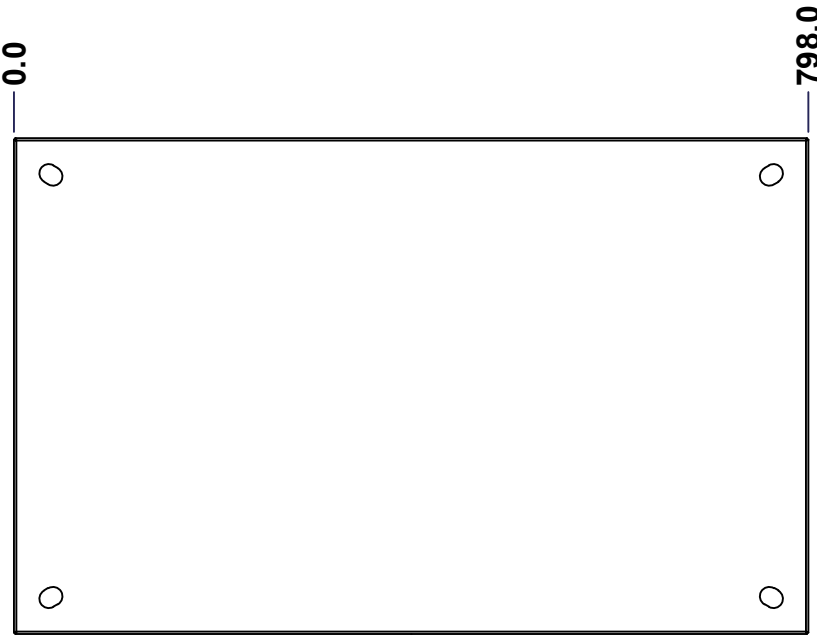
TOP



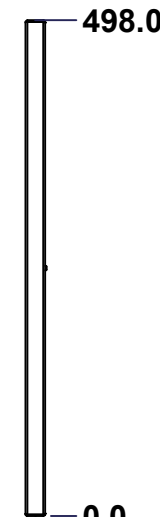
BACK



LEFT



FRONT

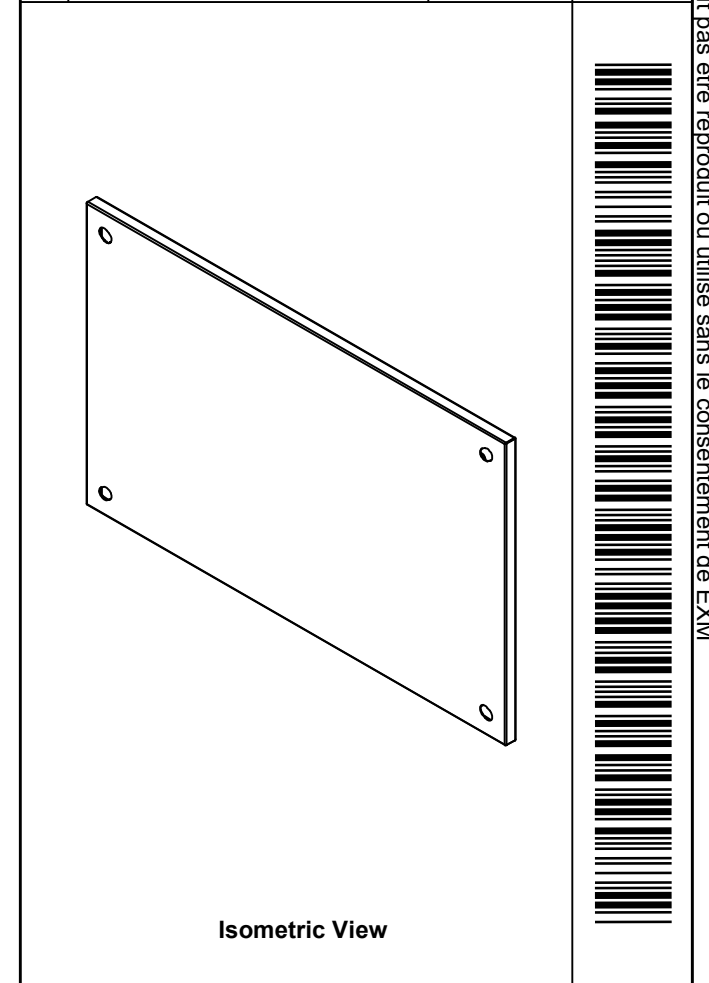



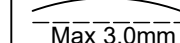
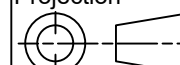
RIGHT



BOTTOM

| No. | Revisions | Date | By/Par |
|-----|-----------|------|--------|
| | | | |
| | | | |
| | | | |
| | | | |



| | | |
|--|-----------------------------------|--|
|  Tél: (450) 979-4373 Fax: (450) 979-4626 www.exmweb.com | | Flatness Aplatissement  Max 3.0mm Projection  |
| Customer Client | Date | |
| Drawn By Dessiné Par | BoxCad: BoxCad | Date 22-Jan-15 |
| Material Matière | 16 Ga Cold Rolled A1008 CS Type B | |
| Color Couleur | Iron Grey RAL7011 | Finish Fini Textured |
| Description | Detail Rev. | |
| 6500 MXT 800mm x 500mm Top | | |
| Part Number Numéro Pièce | Rev. | 5 |
| 6500MXK140805T | 0 | 18 |

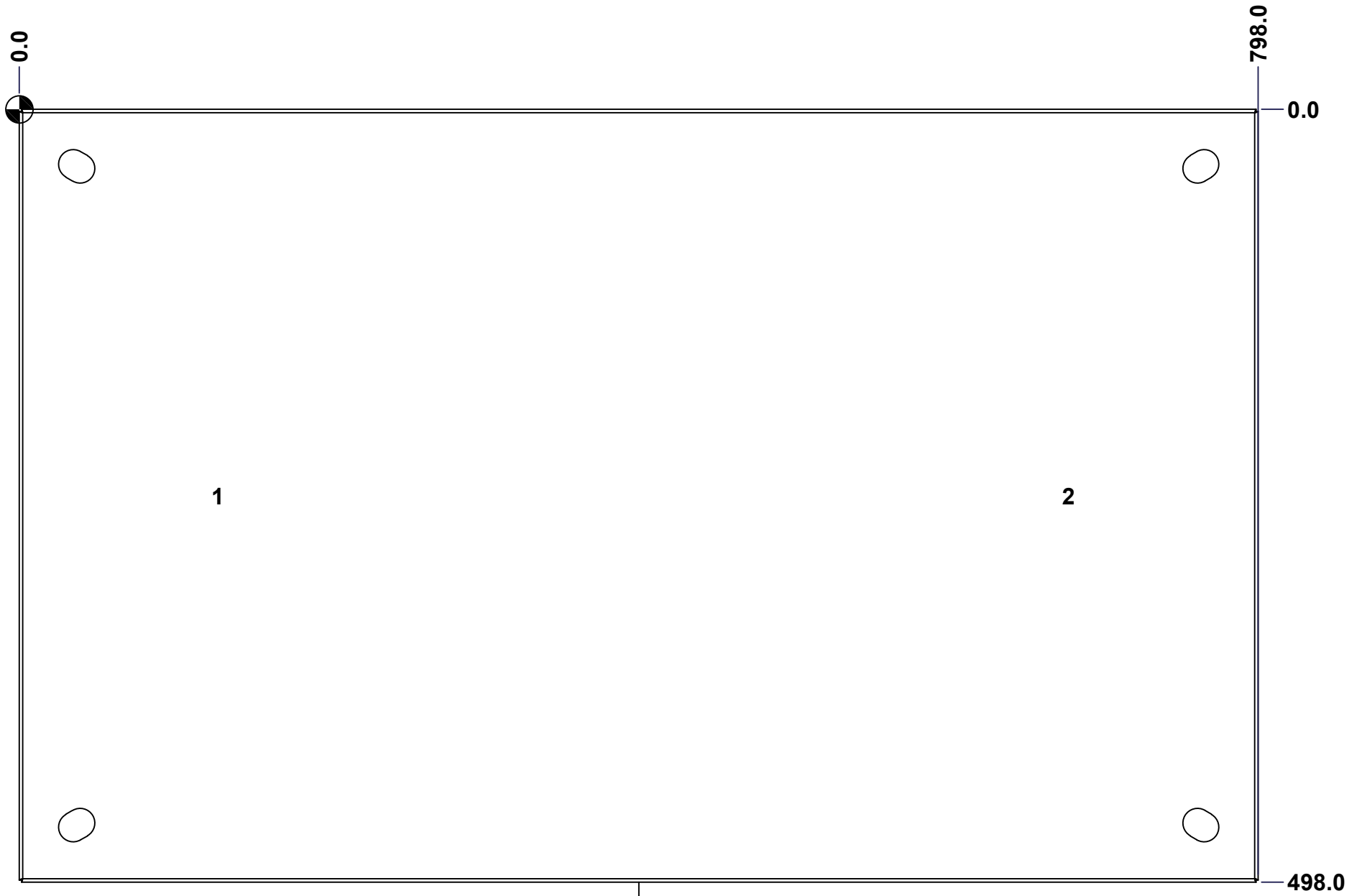
Use gasket program path 6500 MX > 6500 MXT

SEE BILL OF MATERIAL ON LAST PAGE

This drawing is confidential and must not be reproduced or used without the consent of EXM

Ce dessin est confidentiel et ne doit pas être reproduit ou utilisé sans le consentement de EXM

| STANDARD FEATURES ARE NOT LISTED IN THIS HOLE TABLE | | | |
|---|-------|-------|-----------------------------|
| HOLE TABLE - FRONT VIEW (CUSTOM FEATURE ONLY) | | | |
| CUT-OUT | XDIM | YDIM | DESCRIPTION |
| 1 | 125.0 | 249.0 | GND STUD M6 x 18mm (Inside) |
| 2 | 673.0 | 249.0 | GND STUD M6 x 18mm (Inside) |



FRONT

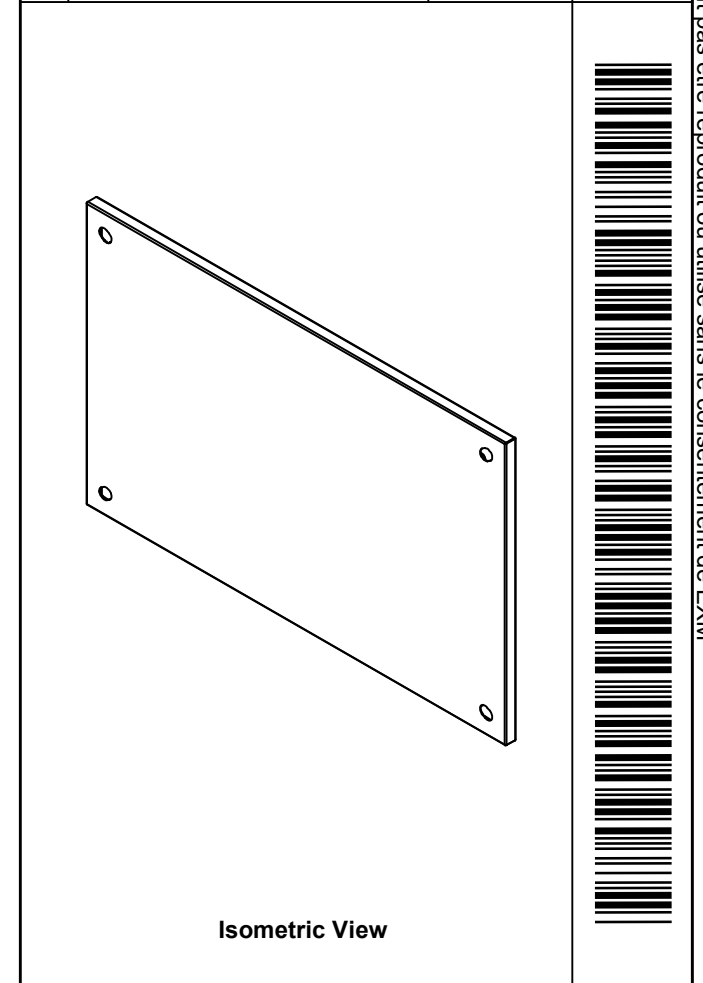
Use bending program path 6500 MX > 6500 MXT


| | | |
|--|-----------------------------|--------------|
| | Description | Status |
| | 6500 MXT 800mm x 500mm Top | (NULL) |
| | Part Number Numéro Pièce | Rev. |
| | 6500MXK140805T | 0 / 6 |
| | | 18 |

This drawing is confidential and must not be reproduced or used without the consent of EXM

Ce dessin est confidentiel et ne doit pas être reproduit ou utilisé sans le consentement de EXM

| No. | Revisions | Date | By/Par |
|-----|-----------|------|--------|
| | | | |
| | | | |
| | | | |
| | | | |
| | | | |

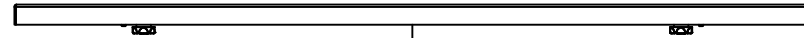


| | | |
|--|-------------------------|--|
|  Tél: (450) 979-4373 Fax: (450) 979-4626 www.exmweb.com | | Flatness Aplatissement Max 3.0mm |
| Customer Client | | Date |
| Drawn By / Dessiné Par: BoxCad: BoxCad | | Date: 22-Jan-15 |
| Material / Matière: 16 Ga Cold Rolled A1008 CS Type B | | |
| Color / Couleur: Iron Grey RAL7011 | Finish / Fini: Textured | |
| Description: 6500 MXT 800mm x 500mm Top | | Detail Rev. |
| Part Number / Numéro Pièce: 6500MXK140805T | | Rev. 7 / 18 |

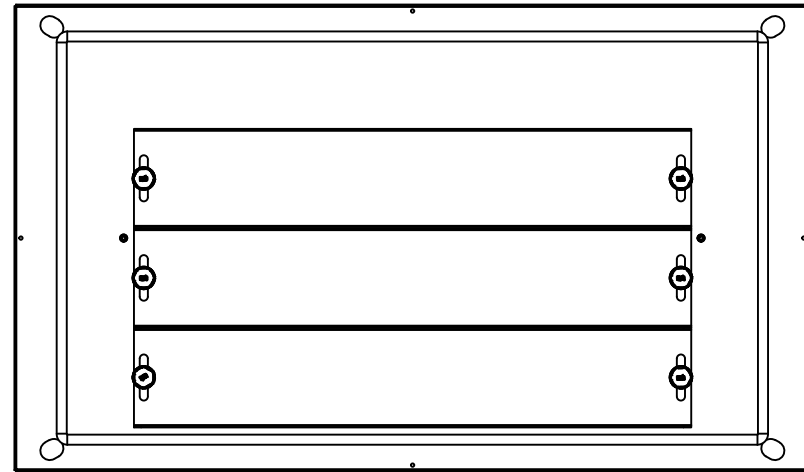
| Qty | Part Number | Rev | Description |
|------------|------------------|-----|---|
| 1 | STK-P-03810ST | 0 | Powder Paint (Iron Grey /Sand Textured) |
| 2 | STK-Q-16055 | 1 | M6 x 18mm Stud (No Paint Cap Required) |
| 1 | 6500MXK140805TG | 0 | 6500 MXT 800mm x 500mm Top Gasket |
| 1 | 6500MXK140805T-P | 0 | 6500 MXT 800mm x 500mm Top Part |
| Parts List | | | |

This drawing is confidential and must not be reproduced or used without the consent of EXM

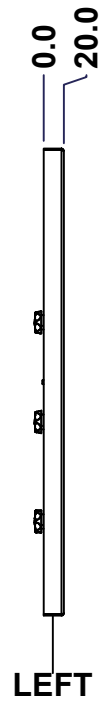
Ce dessin est confidentiel et ne doit pas être reproduit ou utilisé sans le consentement de EXM



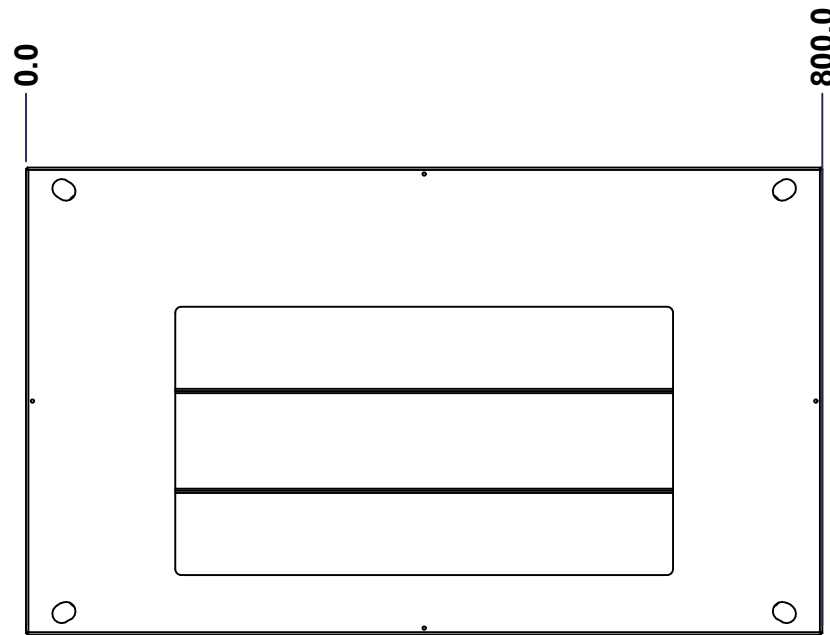
TOP



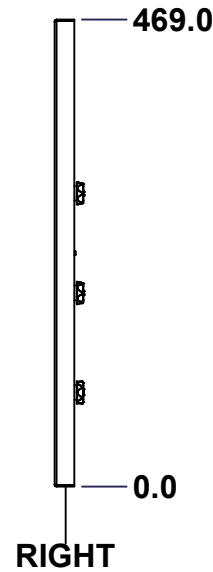
BACK



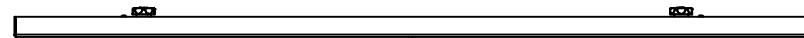
LEFT



FRONT

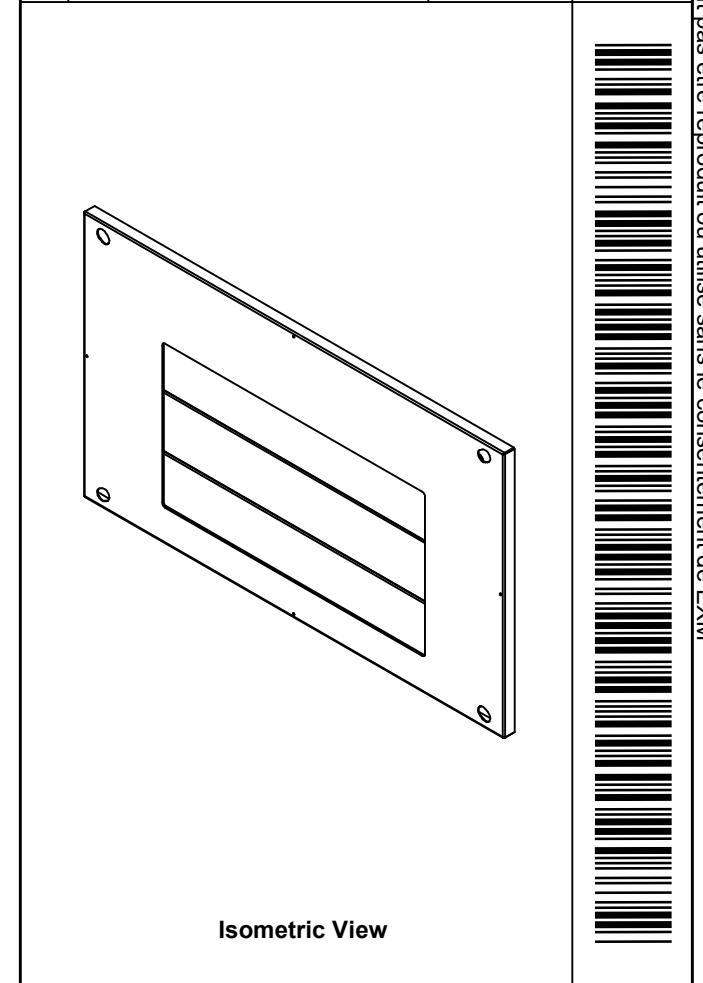


RIGHT



BOTTOM

| No. | Revisions | Date | By/Par |
|-----|-----------|------|--------|
| | | | |
| | | | |
| | | | |
| | | | |



Isometric View

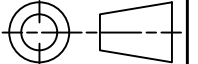


Tél: (450) 979-4373
 Fax: (450) 979-4626
www.exmweb.com

Flatness
Aplatissement

Max 3.0mm

Projection



| | |
|---|-----------------|
| Customer Client | Date |
| Drawn By / Dessiné Par: BoxCad: BoxCad | Date: 22-Jan-15 |
| Material / Matière: 16 Ga Cold Rolled A1008 CS Type B | |

| | |
|------------------------------------|-------------------------|
| Color / Couleur: Iron Grey RAL7011 | Finish / Fini: Textured |
|------------------------------------|-------------------------|

| | |
|--|-------------|
| Description: 6500 MXB 800mm x 500mm Bottom | Detail Rev. |
|--|-------------|

| | | |
|--|--------|---|
| Part Number / Numéro Pièce: 6500MXK140805BT | Rev. 0 | 8 |
|--|--------|---|

Use gasket program path 6500 MX > 6500MXB

SEE BILL OF MATERIAL ON LAST PAGE

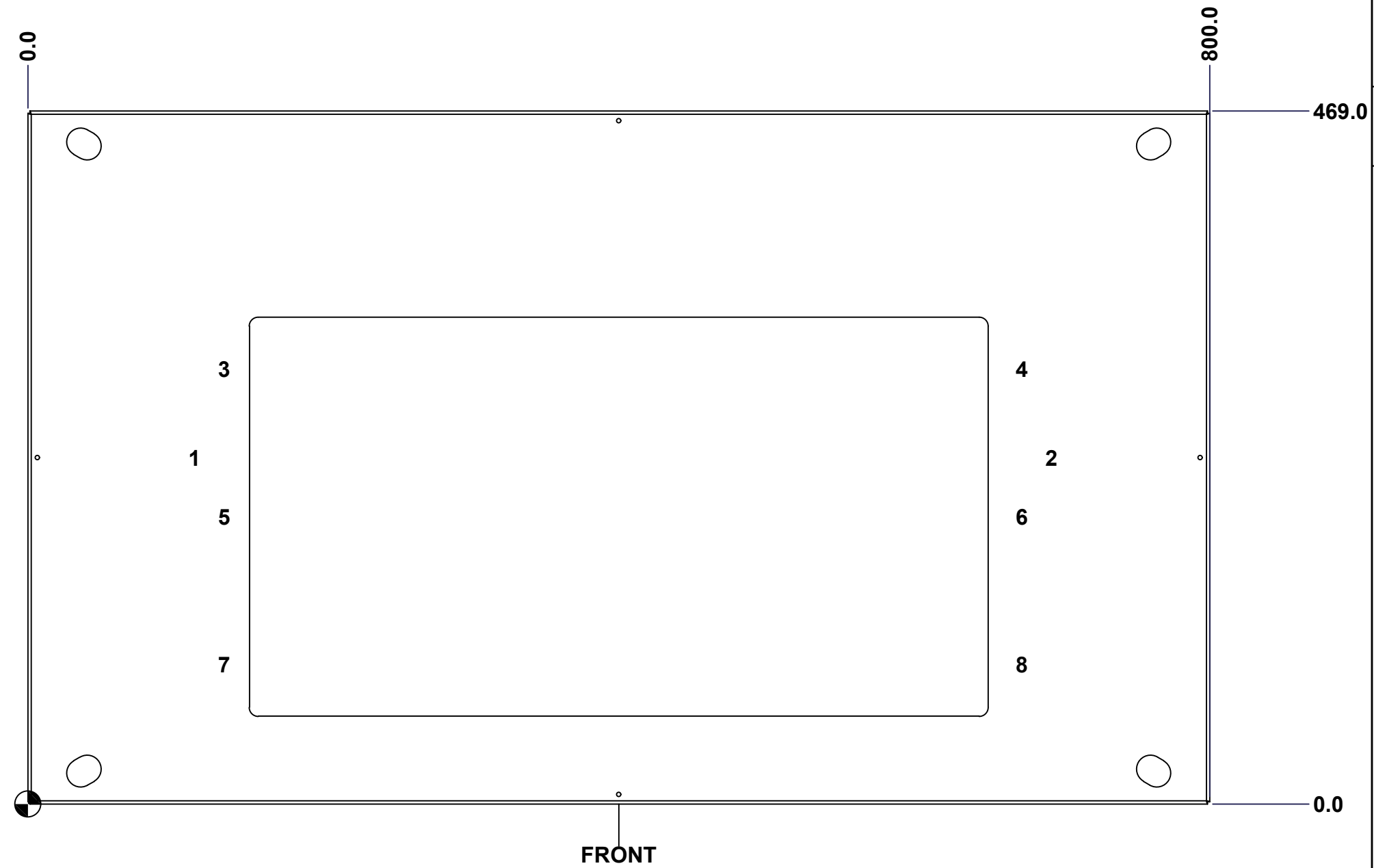
This drawing is confidential and must not be reproduced or used without the consent of EXM

Ce dessin est confidentiel et ne doit pas être reproduit ou utilisé sans le consentement de EXM

STANDARD FEATURES ARE NOT LISTED IN THIS HOLE TABLE

HOLE TABLE - FRONT VIEW (CUSTOM FEATURE ONLY)

| CUT-OUT | XDIM | YDIM | DESCRIPTION |
|---------|-------|-------|-----------------------------|
| 1 | 110.0 | 234.5 | GND STUD M6 x 18mm (Inside) |
| 2 | 690.0 | 234.5 | GND STUD M6 x 18mm (Inside) |
| 3 | 130.0 | 294.5 | GP STUD M6 x 18mm (Inside) |
| 4 | 670.0 | 294.5 | GP STUD M6 x 18mm (Inside) |
| 5 | 130.0 | 194.5 | GP STUD M6 x 18mm (Inside) |
| 6 | 670.0 | 194.5 | GP STUD M6 x 18mm (Inside) |
| 7 | 130.0 | 94.5 | GP STUD M6 x 18mm (Inside) |
| 8 | 670.0 | 94.5 | GP STUD M6 x 18mm (Inside) |



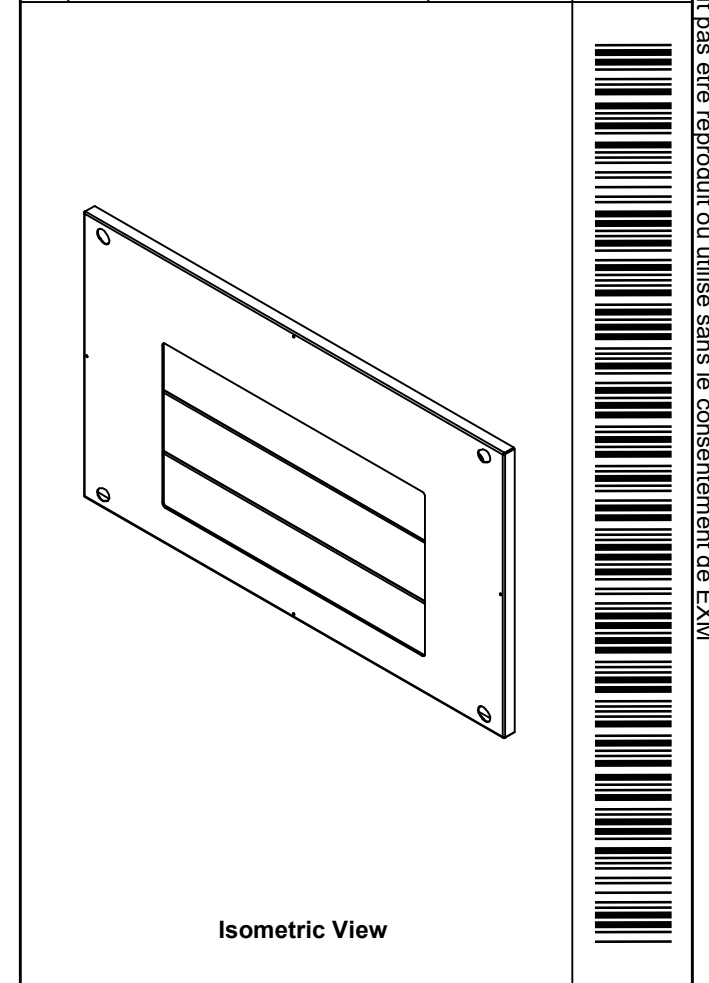
Use bending program path 6500 MX > 6500MXB

| | | |
|--|-------------------------------|--------------|
| | Description | Status |
| | 6500 MXB 800mm x 500mm Bottom | (NULL) |
| | Part Number Numéro Pièce | Rev. |
| | 6500MXK140805BT | 0 / 9 |
| | | 18 |

This drawing is confidential and must not be reproduced or used without the consent of EXM

Ce dessin est confidentiel et ne doit pas être reproduit ou utilisé sans le consentement de EXM

| No. | Revisions | Date | By/Par |
|-----|-----------|------|--------|
| | | | |
| | | | |
| | | | |
| | | | |
| | | | |



EXM
www.exmweb.com

Tél: (450) 979-4373
Fax: (450) 979-4626

Flatness
Aplatissement
Max 3.0mm

Projection

Customer Client _____ Date _____

Drawn By / Dessiné Par BoxCad: BoxCad Date 22-Jan-15

Material Matière 16 Ga Cold Rolled A1008 CS Type B

Color Couleur Iron Grey RAL7011 Finish Fini Textured

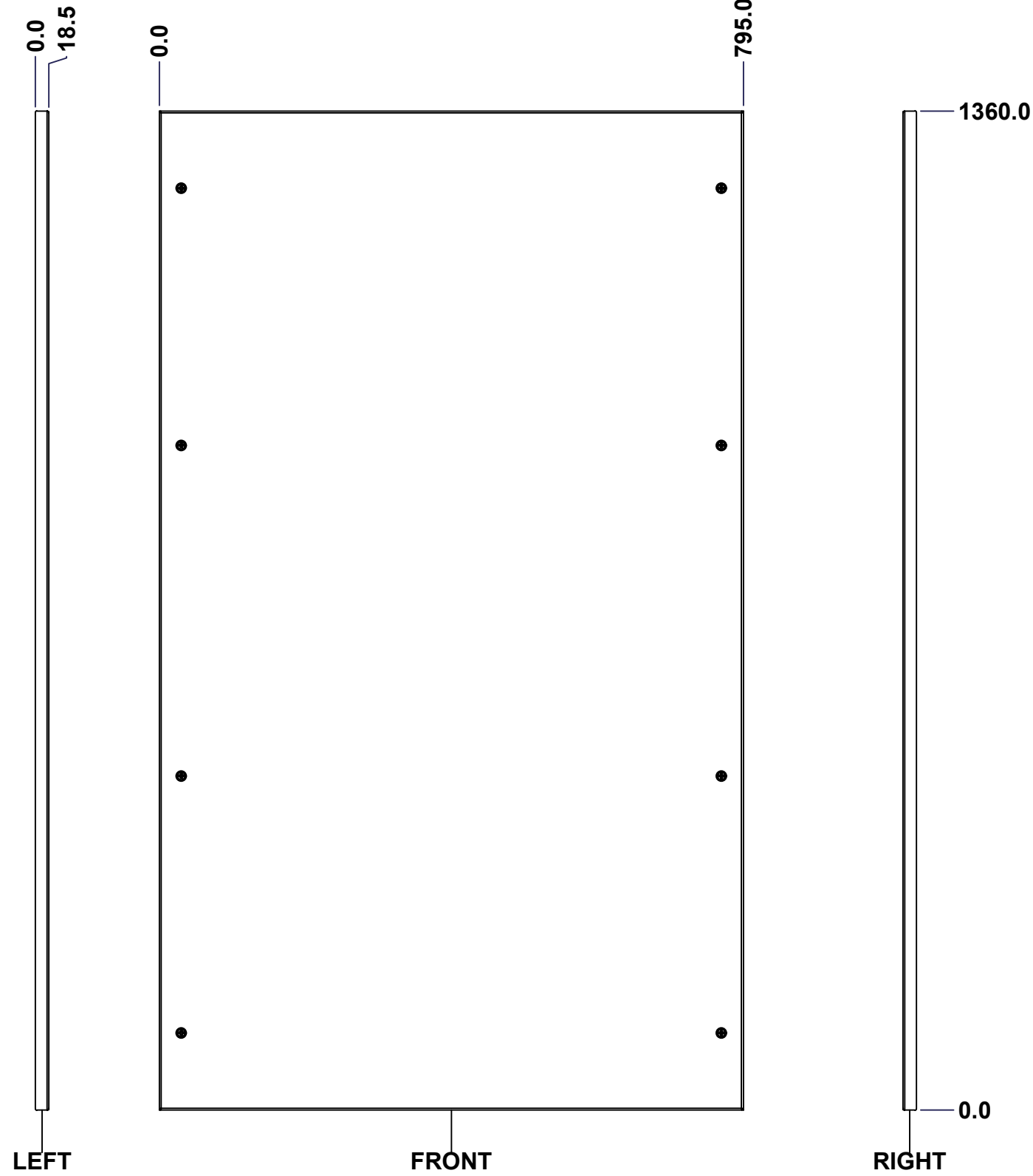
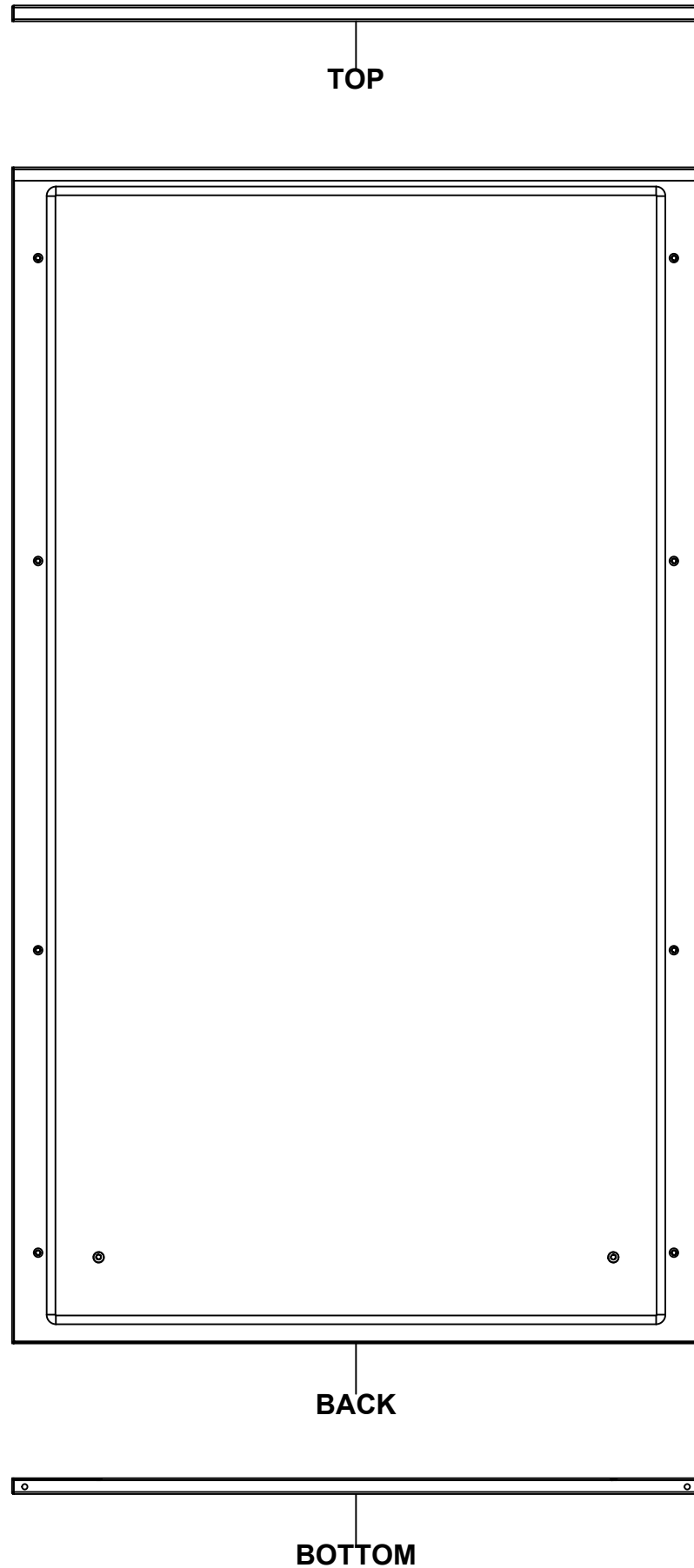
Description 6500 MXB 800mm x 500mm Bottom
Detail Rev.

Part Number / Numéro Pièce **6500MXK140805BT** Rev. 0 10 18

| Qty | Part Number | Rev | Description |
|------------|----------------------|-----|--|
| 1 | STK-P-03810ST | 0 | Powder Paint (Iron Grey /Sand Textured) |
| 6 | STK-Q-06001 | 0 | Mtrx - Gland Plate M6 Plastic Thumb Nut |
| 8 | STK-Q-16055 | 1 | M6 x 18mm Stud (No Paint Cap Required) |
| 3 | 6500MXK140805GP100-P | 0 | 6500 MXB 800mm Gland Plate Part (100mm) |
| 1 | 6500MXK140805BTGPG | 0 | 6500 MXB 800mm x 500mm Bottom Gland Plate Gasket |
| 1 | 6500MXK140805BTG | 0 | 6500 MXB 800mm x 500mm Bottom Gasket |
| 1 | 6500MXK140805BT-P | 0 | 6500 MXB 800mm x 500mm Bottom Part |
| Parts List | | | |

This drawing is confidential and must not be reproduced or used without the consent of EXM

Ce dessin est confidentiel et ne doit pas être reproduit ou utilisé sans le consentement de EXM



| No. | Revisions | Date | By/Par |
|-----|-----------|------|--------|
| | | | |
| | | | |
| | | | |
| | | | |
| | | | |

Isometric View

| | | |
|--|-----------------------------------|---------------------------|
| Tél: (450) 979-4373 Fax: (450) 979-4626 www.exmweb.com | | Flatness Aplatissement |
| | | Max 3.0mm |
| Projection | | |
| Customer Client | Date | |
| Drawn By Dessiné Par | BoxCad: BoxCad | Date 22-Jan-15 |
| Material Matière | 14 Ga Cold Rolled A1008 CS Type B | |
| Color Couleur | Light Grey RAL7035 | Finish Fini Textured |
| Description | | Detail Rev. |
| 6500 MXR 1400mm x 800mm Back | | |
| Part Number Numéro Pièce | Rev. | 11 |
| 6500MXK140805B | 0 | 18 |

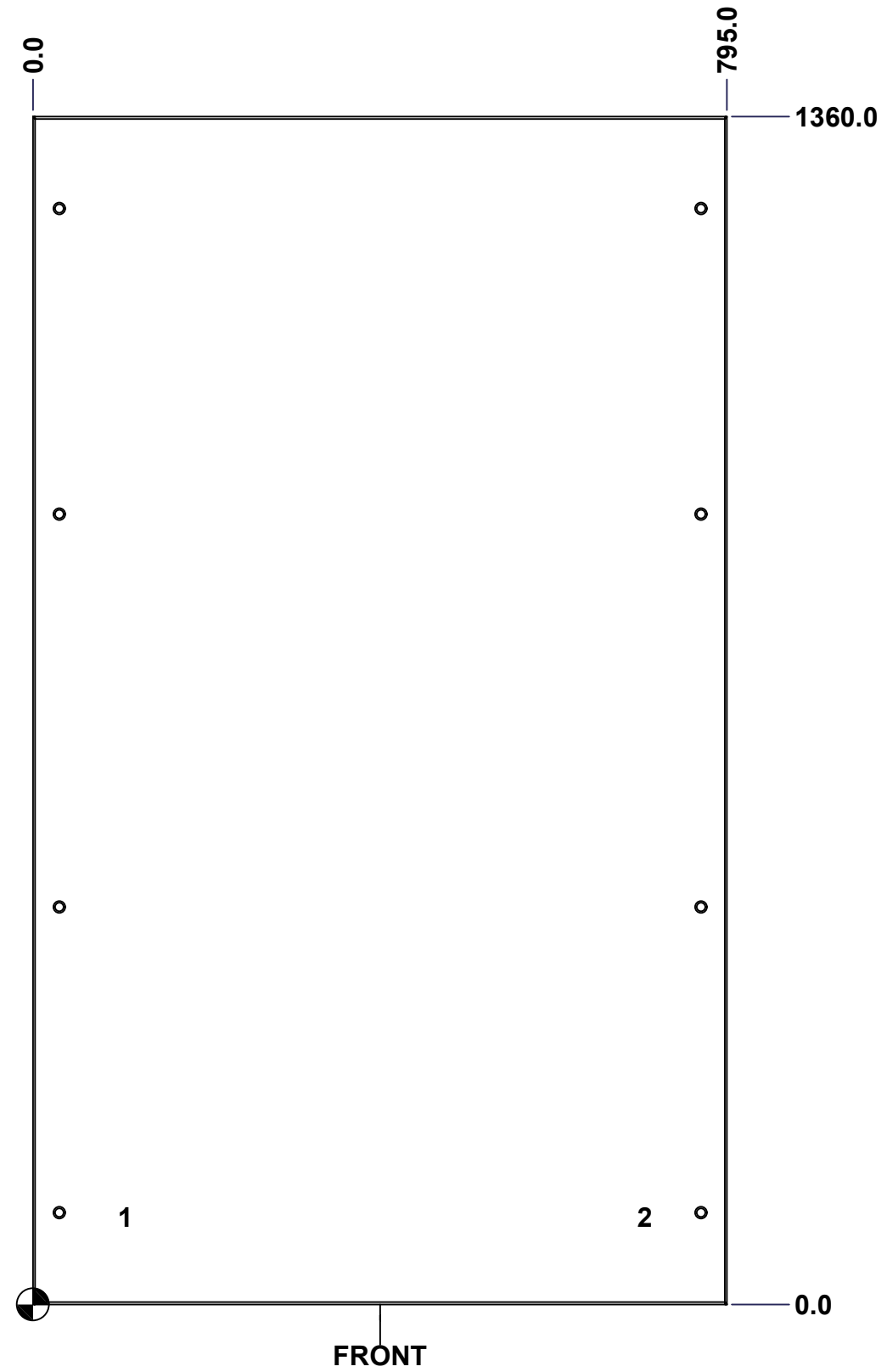
Use gasket program path 6500 MX > 6500 MXR

SEE BILL OF MATERIAL ON LAST PAGE

This drawing is confidential and must not be reproduced or used without the consent of EXM

Ce dessin est confidentiel et ne doit pas être reproduit ou utilisé sans le consentement de EXM

| STANDARD FEATURES ARE NOT LISTED IN THIS HOLE TABLE | | | |
|---|-------|-------|-----------------------------|
| HOLE TABLE - FRONT VIEW (CUSTOM FEATURE ONLY) | | | |
| CUT-OUT | XDIM | YDIM | DESCRIPTION |
| 1 | 100.0 | 100.0 | GND STUD M6 x 16mm (Inside) |
| 2 | 695.0 | 100.0 | GND STUD M6 x 16mm (Inside) |



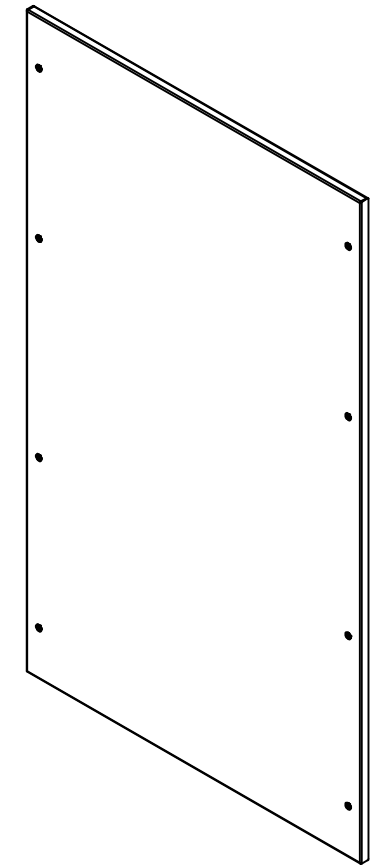
Use bending program path 6500 MX > 6500 MXR

| | | |
|--|------------------------------|----------|
| | Description | Status |
| | 6500 MXR 1400mm x 800mm Back | (NULL) |
| | Part Number Numéro Pièce | Rev. |
| | 6500MXK140805B | 0 |
| | | 12 |
| | | 18 |

This drawing is confidential and must not be reproduced or used without the consent of EXM


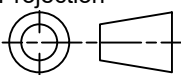
Ce dessin est confidentiel et ne doit pas être reproduit ou utilisé sans le consentement de EXM

| No. | Revisions | Date | By/Par |
|-----|-----------|------|--------|
| | | | |
| | | | |
| | | | |
| | | | |
| | | | |



Isometric View

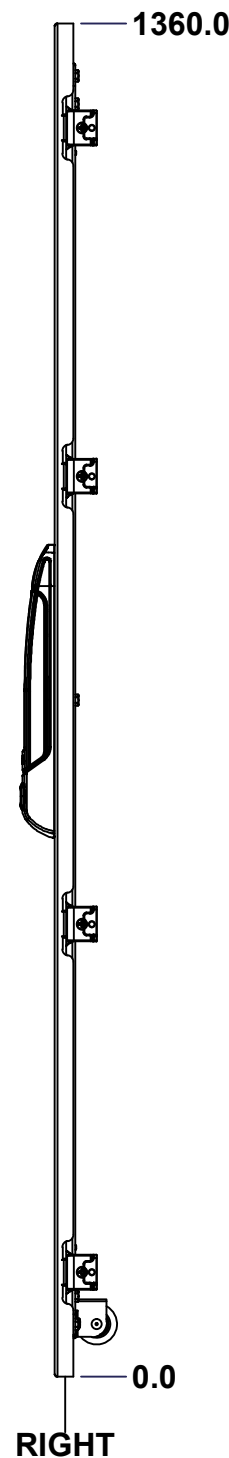
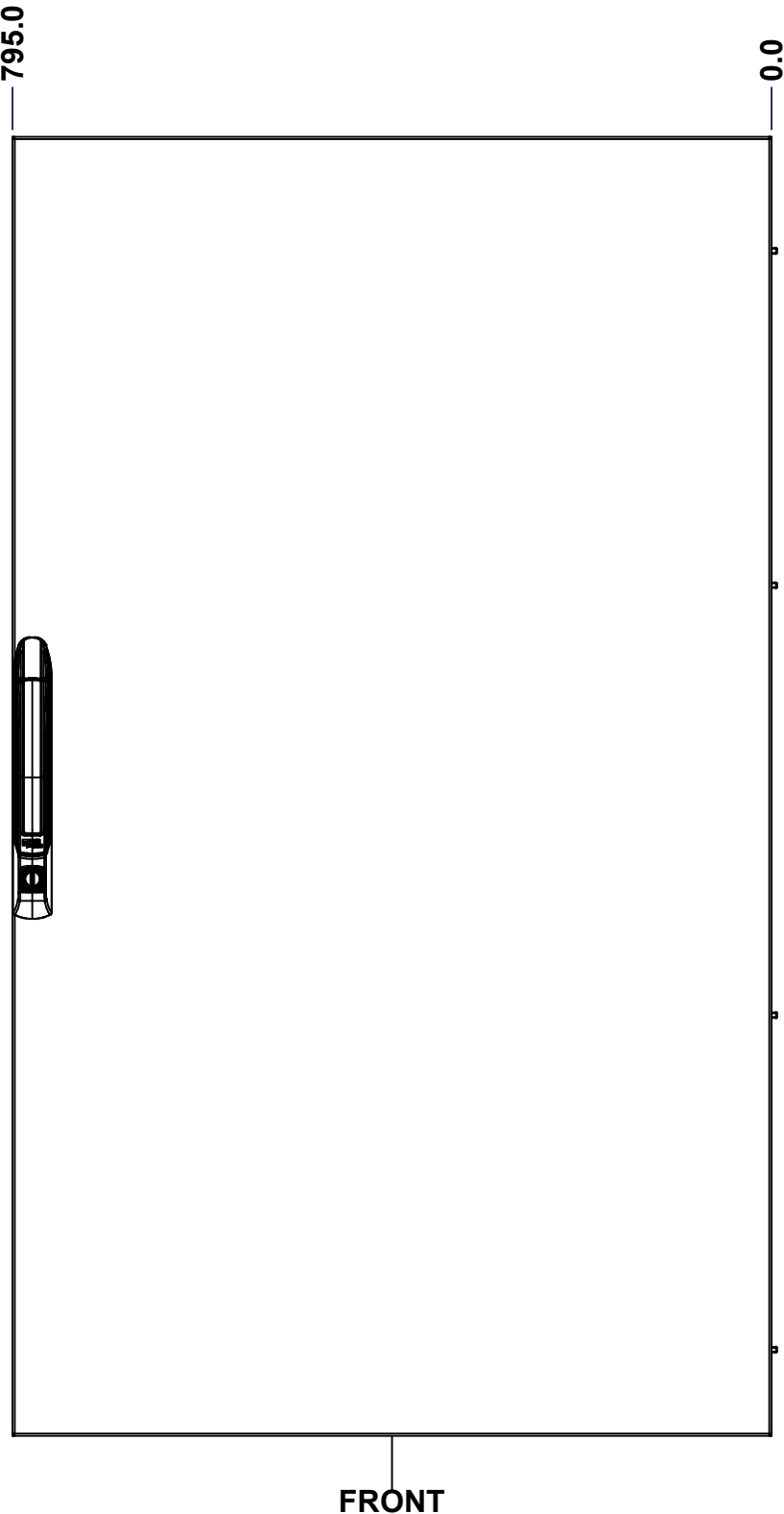
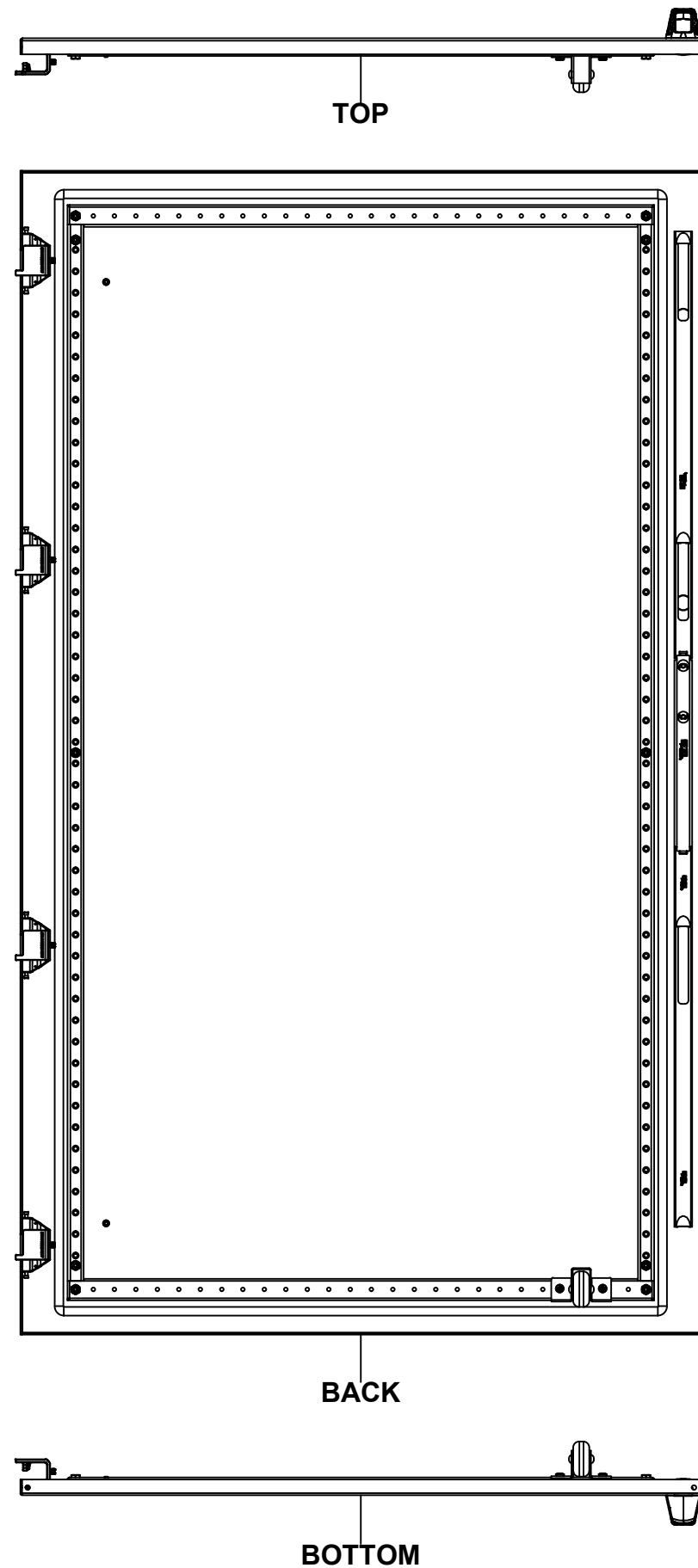


| | | |
|--|-----------------------------------|---|
|  Tél: (450) 979-4373 Fax: (450) 979-4626 www.exmweb.com | | Flatness Aplatissement Max 3.0mm Projection  |
| Customer Client | Date | |
| Drawn By Dessiné Par | BoxCad: BoxCad | Date 22-Jan-15 |
| Material Matière | 14 Ga Cold Rolled A1008 CS Type B | |
| Color Couleur | Light Grey RAL7035 | Finish Fini Textured |
| Description | Detail Rev. | |
| 6500 MXR 1400mm x 800mm Back | | |
| Part Number Numéro Pièce | Rev. | 13 |
| 6500MXK140805B | 0 | 18 |

| Qty | Part Number | Rev | Description |
|------------|------------------|-----|--|
| 1 | STK-P-03820R | 0 | Powder Paint (Light Grey / Rough Textured) |
| 1 | 6500MXK140805BG | 0 | 6500 MXR 1400mm x 800mm Back Gasket |
| 8 | STK-Q-03071 | 0 | M6 x 16mm Machine Screw |
| 2 | STK-Q-16080 | 0 | Ground Stud M6 x 16mm Steel |
| 1 | 6500MXK140805B-P | 0 | 6500 MXR 1400mm x 800mm Back Part |
| Parts List | | | |

This drawing is confidential and must not be reproduced or used without the consent of EXM

Ce dessin est confidentiel et ne doit pas être reproduit ou utilisé sans le consentement de EXM



| No. | Revisions | Date | By/Par |
|-----|-----------|------|--------|
| | | | |
| | | | |
| | | | |
| | | | |

Isometric View

| | | |
|--|-------------------------|---------------------------|
| Tél: (450) 979-4373 Fax: (450) 979-4626 www.exmweb.com | | Flatness Aplatissement |
| | | Max 3.0mm |
| Customer Client | | Date |
| Drawn By Dessiné Par BoxCad: BoxCad | | Date 22-Jan-15 |
| Material Matière 14 Ga Cold Rolled A1008 CS Type B | | |
| Color Couleur Light Grey RAL7035 | Finish Fini Textured | |
| Description 6500 MXD 1400mm x 800mm Front | | Detail Rev. |
| Part Number Numéro Pièce 6500MXK140805F | | Rev. 14 0 |

Use gasket program path 6500 MX > 6500 MXD

SEE BILL OF MATERIAL ON LAST PAGE

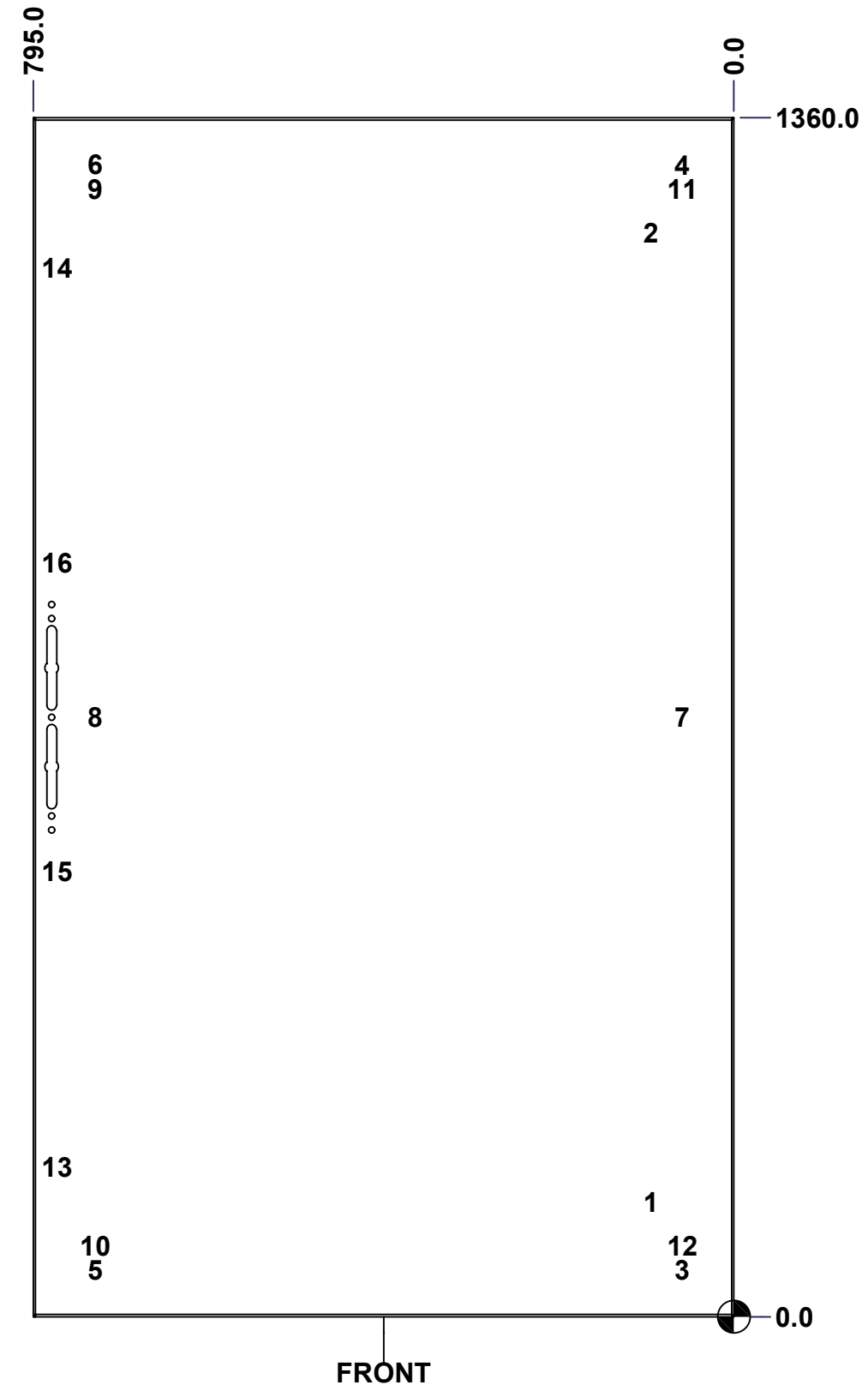
This drawing is confidential and must not be reproduced or used without the consent of EXM

Ce dessin est confidentiel et ne doit pas être reproduit ou utilisé sans le consentement de EXM

STANDARD FEATURES ARE NOT LISTED IN THIS HOLE TABLE

HOLE TABLE - FRONT VIEW (CUSTOM FEATURE ONLY)

| CUT-OUT | XDIM | YDIM | DESCRIPTION |
|---------|-------|--------|--------------------------------|
| 1 | 100.0 | 130.0 | GND STUD M6 x 16mm (Inside) |
| 2 | 100.0 | 1230.0 | GND STUD M6 x 16mm (Inside) |
| 3 | 64.5 | 52.8 | STIFF. STUD M6 x 18mm (Inside) |
| 4 | 64.5 | 1307.2 | STIFF. STUD M6 x 18mm (Inside) |
| 5 | 730.5 | 52.8 | STIFF. STUD M6 x 18mm (Inside) |
| 6 | 730.5 | 1307.2 | STIFF. STUD M6 x 18mm (Inside) |
| 7 | 64.5 | 680.0 | STIFF. STUD M6 x 18mm (Inside) |
| 8 | 730.5 | 680.0 | STIFF. STUD M6 x 18mm (Inside) |
| 9 | 730.5 | 1279.0 | STIFF. STUD M6 x 18mm (Inside) |
| 10 | 730.5 | 81.0 | STIFF. STUD M6 x 18mm (Inside) |
| 11 | 64.5 | 1279.0 | STIFF. STUD M6 x 18mm (Inside) |
| 12 | 64.5 | 81.0 | STIFF. STUD M6 x 18mm (Inside) |
| 13 | 774.0 | 170.0 | LARGE CBAR GUIDE (Inside) |
| 14 | 774.0 | 1190.0 | LARGE CBAR GUIDE (Inside) |
| 15 | 774.0 | 505.0 | LARGE CBAR GUIDE (Inside) |
| 16 | 774.0 | 855.0 | LARGE CBAR GUIDE (Inside) |



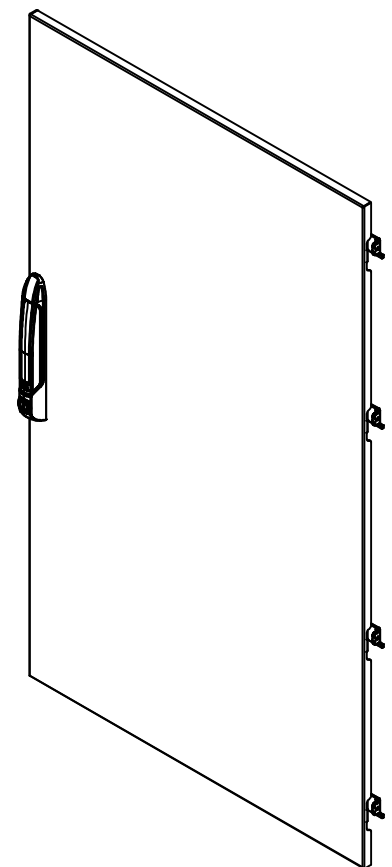
Use bending program path 6500 MX > 6500 MXD

| | | |
|--|--|---------------------|
| | Description 6500 MXD 1400mm x 800mm Front | Status (NULL) |
| | Part Number Numéro Pièce 6500MXK140805F | Rev. 15 0 |

This drawing is confidential and must not be reproduced or used without the consent of EXM

Ce dessin est confidentiel et ne doit pas être reproduit ou utilisé sans le consentement de EXM


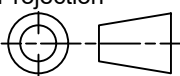
| No. | Revisions | Date | By/Par |
|-----|-----------|------|--------|
| | | | |
| | | | |
| | | | |
| | | | |
| | | | |



Isometric View

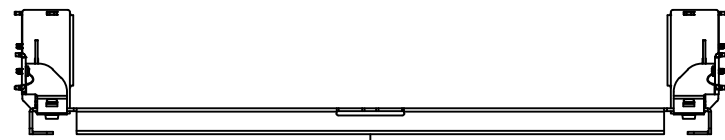


| Qty | Part Number | Rev | Description |
|-----|------------------|-----|--|
| 1 | STK-P-03820R | 0 | Powder Paint (Light Grey / Rough Textured) |
| 1 | STK-A-45758 | 4 | 886 PH2 Pull Handle Bridge - Assembly |
| 1 | STK-A-51160 | 0 | 886PH2-SL - Pull Handle Lock - Assembly |
| 1 | STK-Q-45662-14 | 1 | 6500 MX - Lower Closing Bar 1400mm |
| 1 | STK-Q-45661-14 | 1 | 6500 MX - Upper Closing Bar 1400mm |
| 1 | 6500MXSRK | 1 | 6500 MXRSK Door Support Roller |
| 4 | STK-Q-16410 | 0 | Guide Stud - Large (No Paint Cap Required) |
| 4 | STK-K-06810 | 7 | 6500 MX Hinge Assy |
| 12 | STK-Q-16055 | 1 | M6 x 18mm Stud (No Paint Cap Required) |
| 1 | 6500MXK140805DS1 | 5 | 6500 MX 1400mm x 800mm Door Stiffener |
| 1 | 6500MXK140805FG | 0 | 6500 MXD 1400mm x 800mm Front Gasket |
| 1 | 6500MXK140805F-P | 0 | 6500 MXD 1400mm x 800mm Front Part |
| | | | |

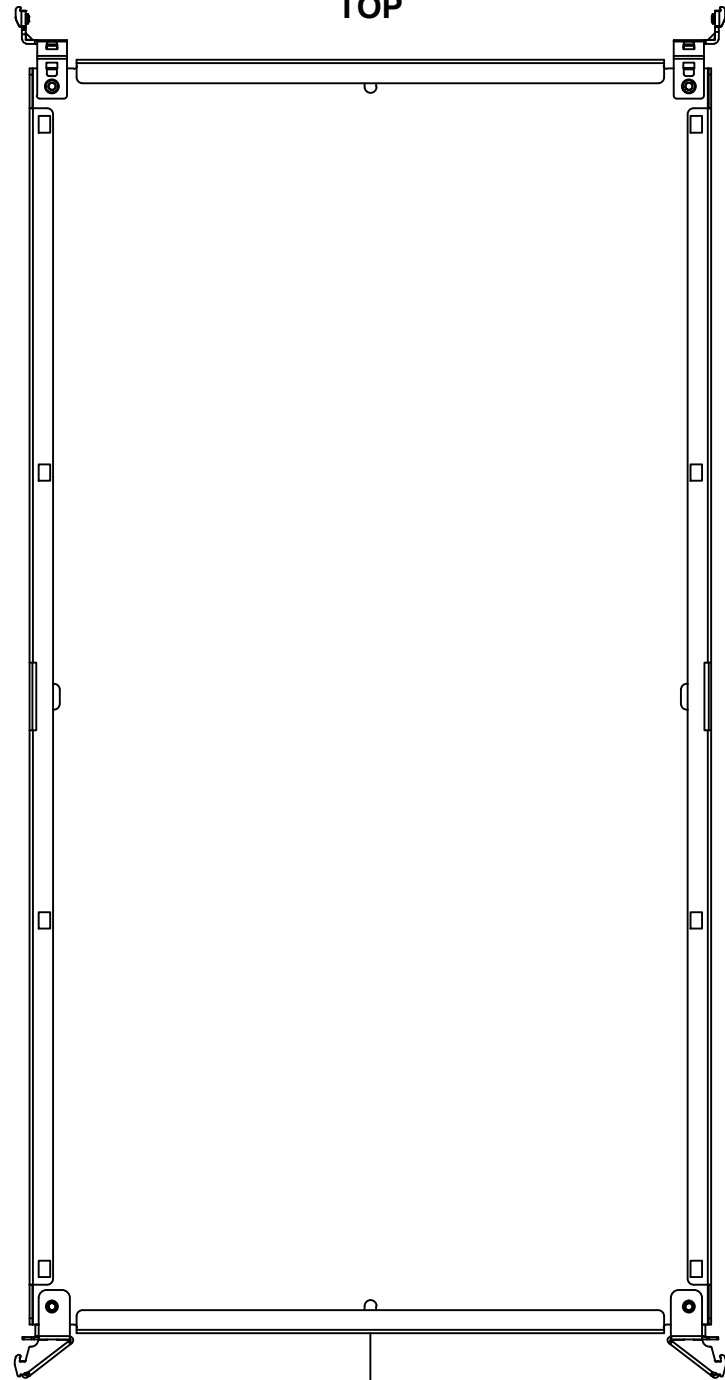
| | | |
|--|-----------------------------------|---|
|  Tél: (450) 979-4373 Fax: (450) 979-4626 www.exmweb.com | | Flatness Aplatissement Max 3.0mm Projection  |
| Customer Client | Date | Date 22-Jan-15 |
| Drawn By Dessiné Par | BoxCad: BoxCad | |
| Material Matière | 14 Ga Cold Rolled A1008 CS Type B | |
| Color Couleur | Light Grey RAL7035 | Finish Fini Textured |
| Description | 6500 MXD 1400mm x 800mm Front | |
| Part Number Numéro Pièce | Rev. 0 | 16 18 |

This drawing is confidential and must not be reproduced or used without the consent of EXM

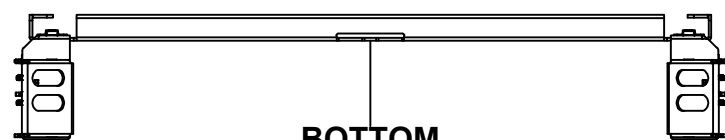
Ce dessin est confidentiel et ne doit pas être reproduit ou utilisé sans le consentement de EXM



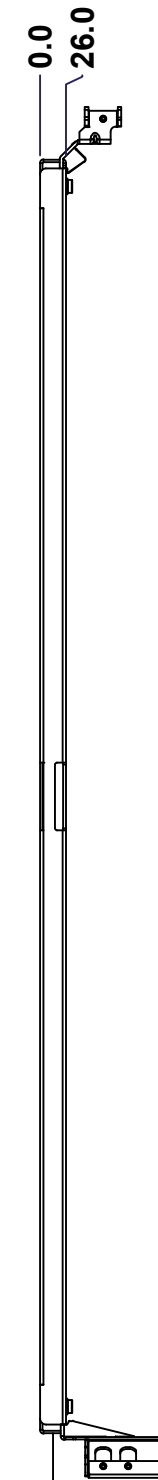
TOP



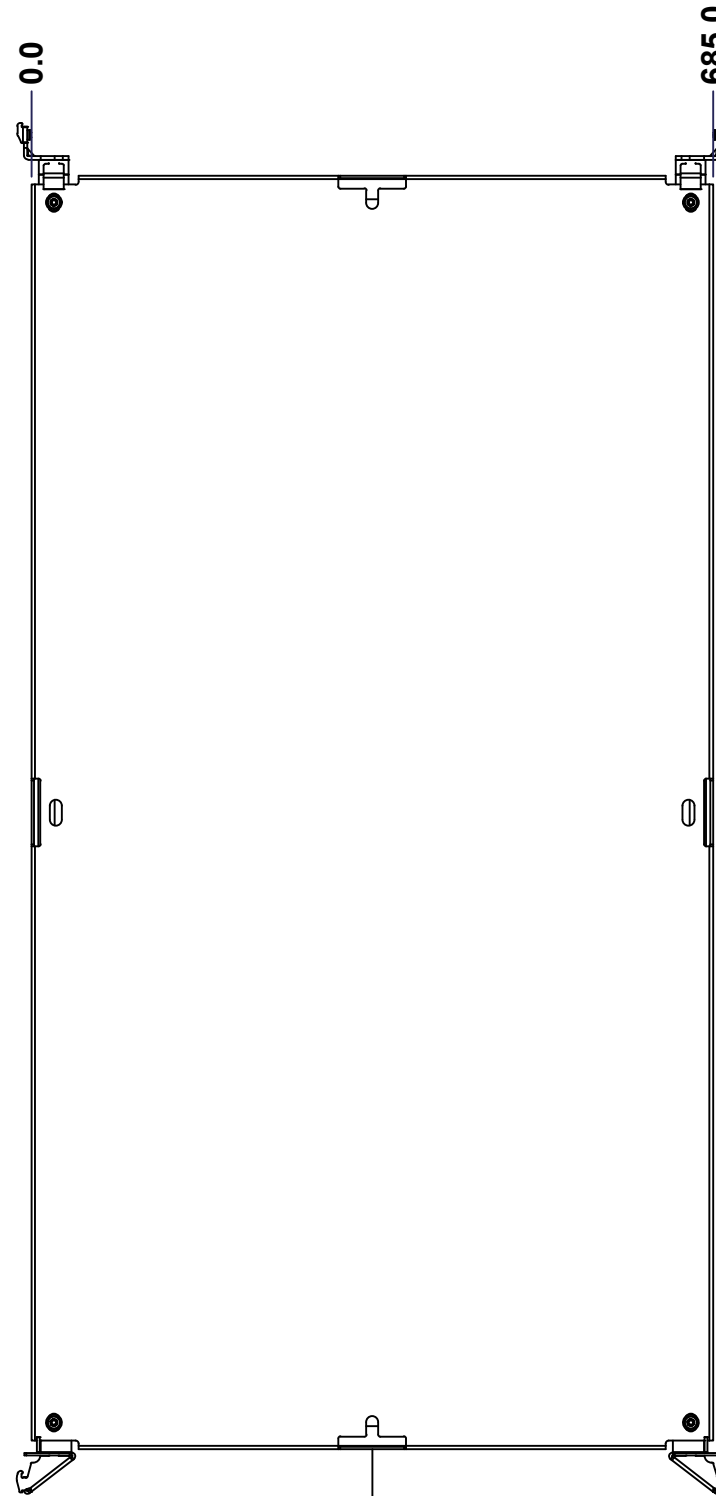
BACK



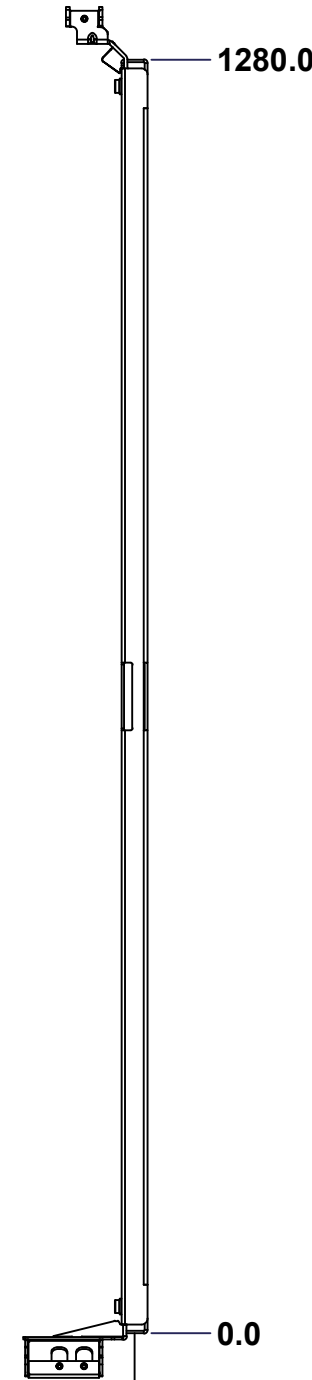
BOTTOM



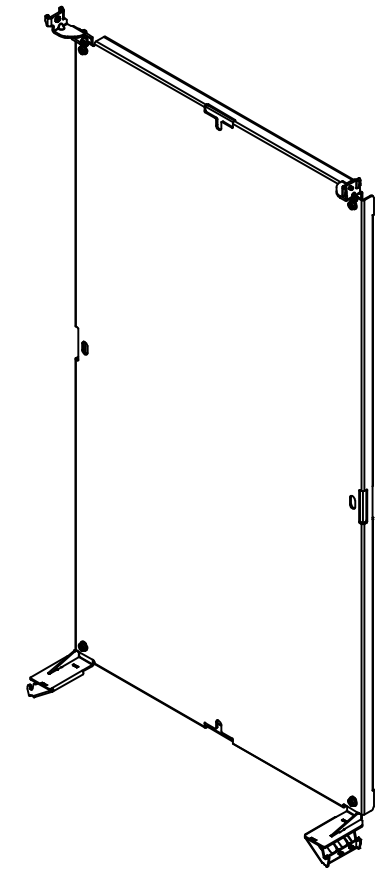
LEFT



FRONT




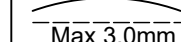
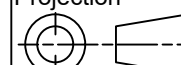
RIGHT



Isometric View



| No. | Revisions | Date | By/Par |
|-----|-----------|------|--------|
| | | | |
| | | | |
| | | | |
| | | | |

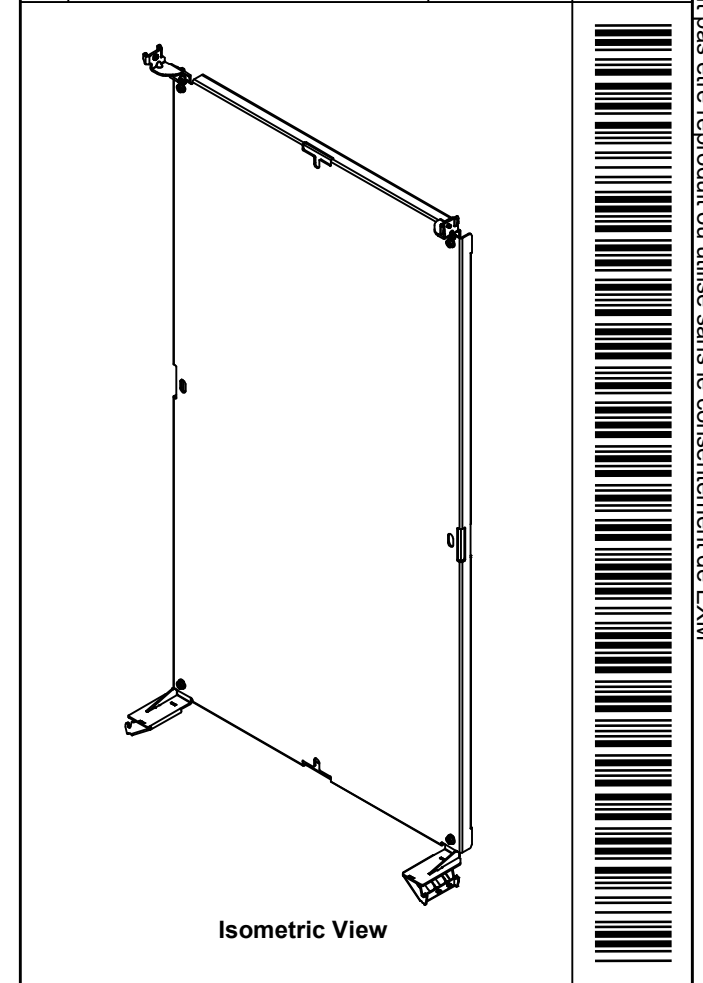
| | | |
|--|--------------------------|---|
|  Tél: (450) 979-4373 Fax: (450) 979-4626 www.exmweb.com | | Flatness Aplatissement  Max 3.0mm Projection  |
| Customer Client | Date | |
| Drawn By Dessiné Par | BoxCad: BoxCad | Date 22-Jan-15 |
| Material Matière | 12 Ga Galvanized (2.5mm) | |
| Color Couleur | Unpainted | Finish Fini Unpainted |
| Description | Detail Rev. | |
| 6500 MXM 1400mm x 800mm Back Inner Panel | | |
| Part Number Numéro Pièce | Rev. | 17 |
| 6500MXK140805BIP | 0 | 18 |


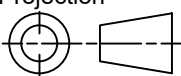
SEE BILL OF MATERIAL ON LAST PAGE

This drawing is confidential and must not be reproduced or used without the consent of EXM

Ce dessin est confidentiel et ne doit pas être reproduit ou utilisé sans le consentement de EXM

| No. | Revisions | Date | By/Par |
|-----|-----------|------|--------|
| | | | |
| | | | |
| | | | |
| | | | |
| | | | |



| | | |
|--|--------------------------|---|
|  Tél: (450) 979-4373 Fax: (450) 979-4626 www.exmweb.com | | Flatness Aplatissement Max 3.0mm Projection  |
| Customer Client | Date | |
| Drawn By Dessiné Par | BoxCad: BoxCad | Date 22-Jan-15 |
| Material Matière | 12 Ga Galvanized (2.5mm) | |
| Color Couleur | Unpainted | Finish Fini Unpainted |
| Description | | Detail Rev. |
| 6500 MXM 1400mm x 800mm Back Inner Panel | | |
| Part Number Numéro Pièce | Rev. | 18 |
| 6500MXK140805BIP | 0 | 18 |

| Qty | Part Number | Rev | Description |
|------------|--------------------|-----|--|
| 1 | STK-A-49005 | 5 | 6500 MXM - Bottom Inner Panel Support Assembly (Right) |
| 1 | STK-A-49000 | 5 | 6500 MXM - Bottom Inner Panel Support Assembly (Left) |
| 1 | STK-A-49015 | 0 | 6500MXM - Top Inner Panel Support Kit (Right) |
| 1 | STK-A-49010 | 0 | 6500MXM - Top Inner Panel Support Kit (Left) |
| 1 | 6500MXK140805BIP-P | 0 | 6500 MXM 1400mm x 800mm Back Inner Panel Part |
| Parts List | | | |