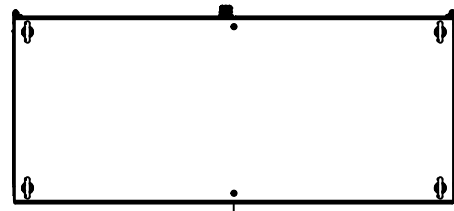
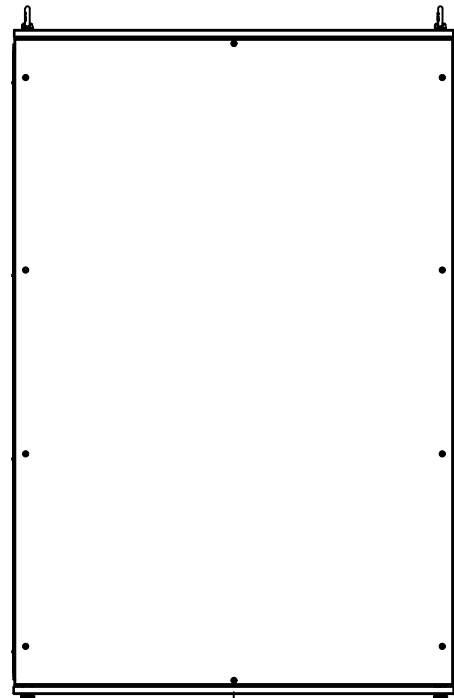


This drawing is confidential and must not be reproduced or used without the consent of EXM

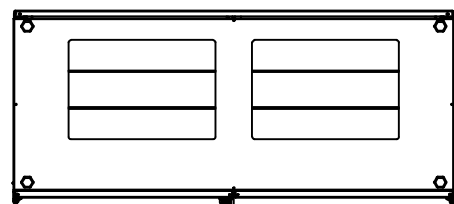
Ce dessin est confidentiel et ne doit pas être reproduit ou utilisé sans le consentement de EXM



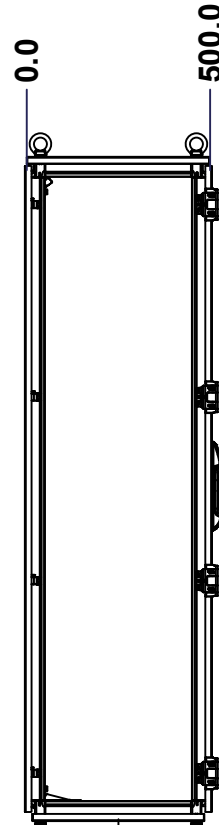
TOP



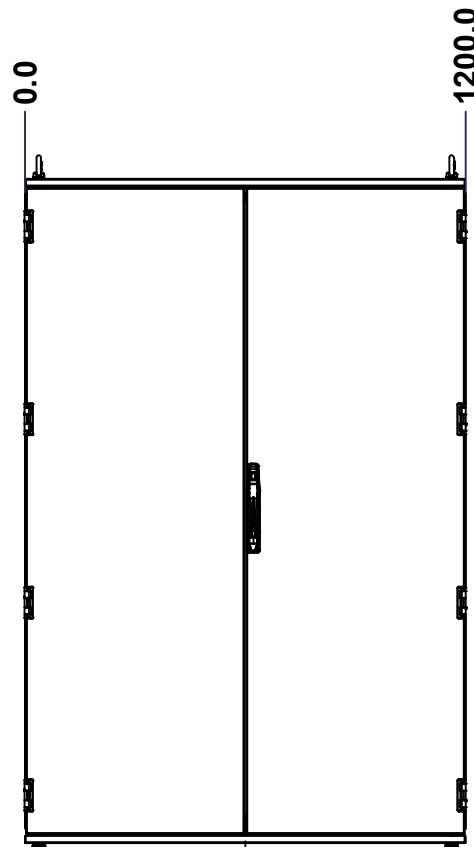
BACK



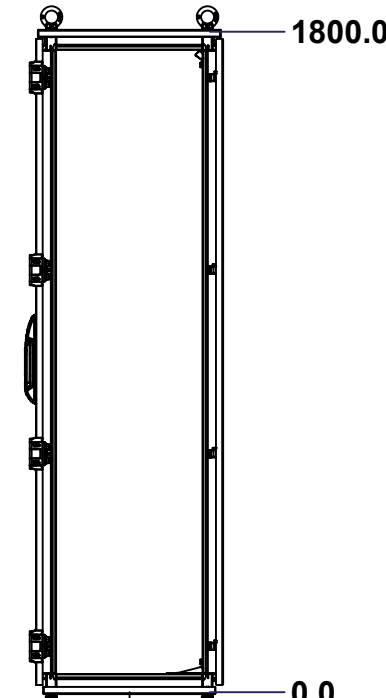
BOTTOM



LEFT

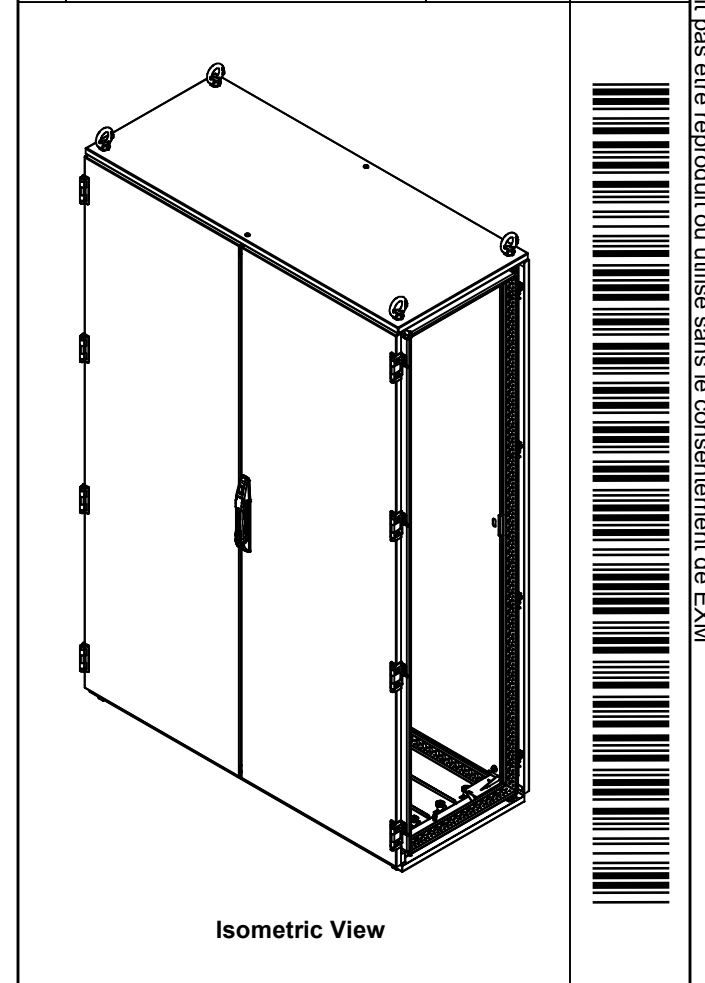


FRONT


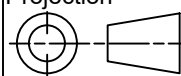


RIGHT

No.	Revisions	Date	By/Par



Isometric View

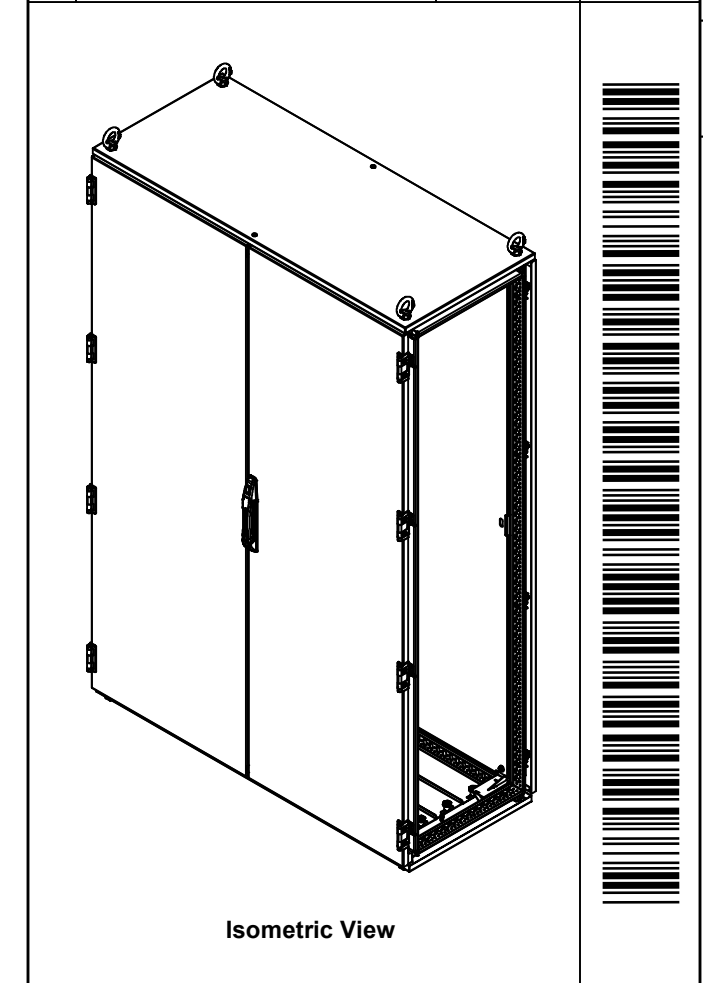
 Tél: (450) 979-4373 Fax: (450) 979-4626 <a href="http://www.exmweb.com">www.exmweb.com</a>		Flatness Aplatissement Max 3.0mm Projection 
Customer Client		Date
Drawn By Dessiné Par	BoxCad: BoxCad	Date 19-Jan-15
Material Matière	See Part List	
Color Couleur	See Part List	Finish Fini See Part List
Description	Detail Rev.	
6500MX 1800mm x 1200mm x 500mm Assembly		
Part Number Numéro Pièce	Rev.	1
<b>6500MXK181205</b>	<b>0</b>	18

SEE BILL OF MATERIAL ON LAST PAGE

This drawing is confidential and must not be reproduced or used without the consent of EXM

Ce dessin est confidentiel et ne doit pas être reproduit ou utilisé sans le consentement de EXM

No.	Revisions	Date	By/Par

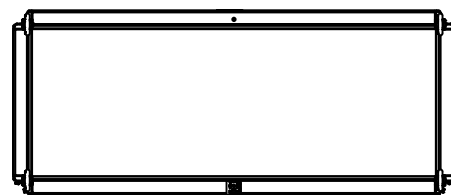


Tél: (450) 979-4373 Fax: (450) 979-4626 <a href="http://www.exmweb.com">www.exmweb.com</a>		Flatness Aplatissement Max 3.0mm	
		Projection 	
Customer Client		Date	
Drawn By Dessiné Par BoxCad: BoxCad		Date 19-Jan-15	
Material Matière See Part List			
Color Couleur		See Part List	Finish Fini See Part List
Description 6500MX 1800mm x 1200mm x 500mm Assembly			Detail Rev.
Part Number Numéro Pièce		<b>6500MXK181205</b>	Rev. 2
Qty		Part Number	Rev.
Parts List			

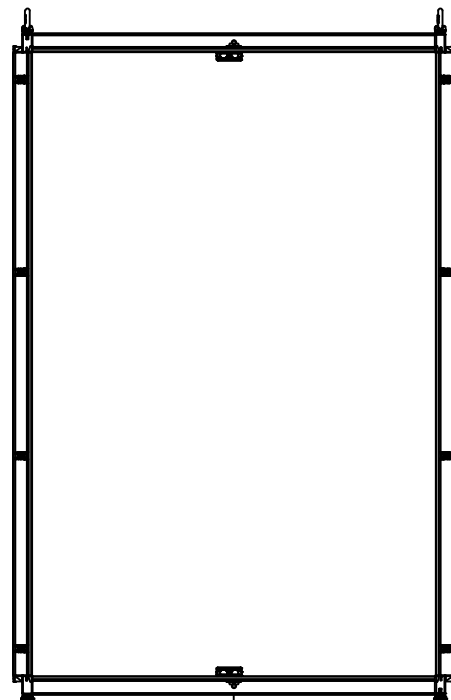
Qty	Part Number	Rev	Description
1	6500MXK181205BIP	0	6500 MXM 1800mm x 1200mm Back Inner Panel
1	6500MXK181205F	0	6500 MXDD 1800mm x 1200mm Front
1	6500MXK181205B	0	6500 MXR 1800mm x 1200mm Back
1	6500MXK181205BT	0	6500 MXB 1200mm x 500mm Bottom
1	6500MXK181205T	0	6500 MXT 1200mm x 500mm Top
1	6500MXK181205FR	0	6500 MX 1800mm x 1200mm x 500mm Frame

This drawing is confidential and must not be reproduced or used without the consent of EXM

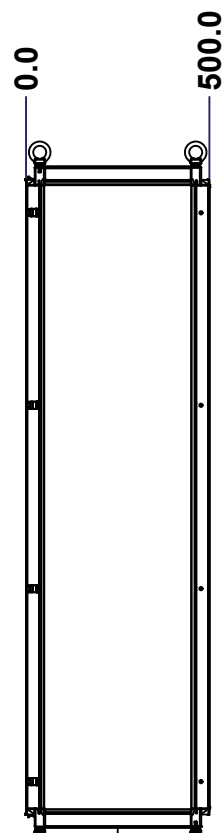
Ce dessin est confidentiel et ne doit pas être reproduit ou utilisé sans le consentement de EXM



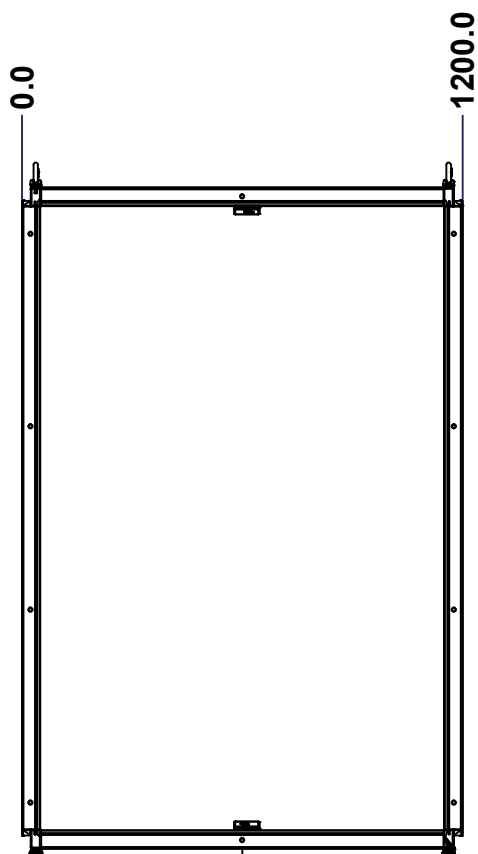
TOP



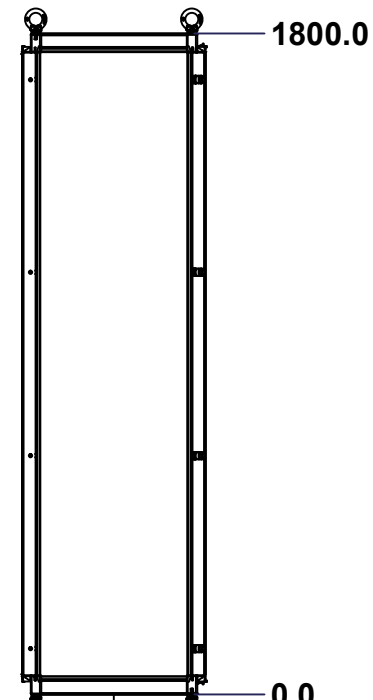
BACK



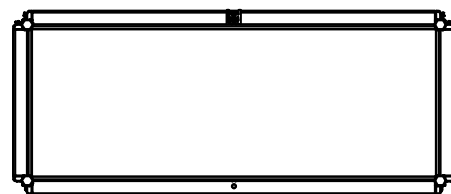
LEFT



FRONT



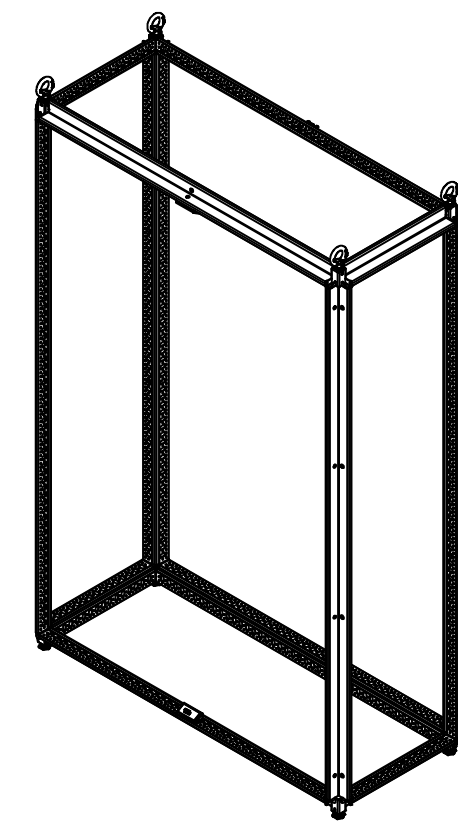
RIGHT



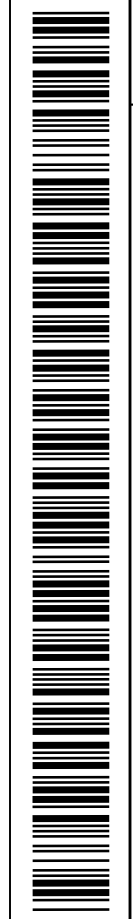
BOTTOM

Grind excess weld off corner(s)

No.	Revisions	Date	By/Par



Isometric View



Tél: (450) 979-4373  
 Fax: (450) 979-4626  
[www.exmweb.com](http://www.exmweb.com)

Flatness  
Aplatissement  
Max 3.0mm  
Projection

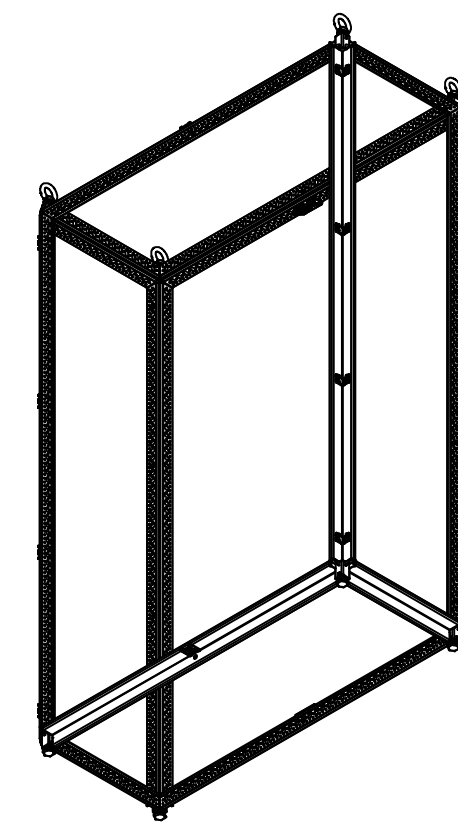
Customer Client	Date
Drawn By Dessiné Par BoxCad: BoxCad	Date 19-Jan-15
Material Matière 16 Ga Electro-Galvanized (1.4mm)	
Color Couleur Iron Grey RAL7011	Finish Fini Rough Textured
Description 6500 MX 1800mm x 1200mm x 500mm Frame	Detail Rev.
Part Number Numéro Pièce <b>6500MXK181205FR</b>	Rev. 3 <b>0</b>

SEE BILL OF MATERIAL ON LAST PAGE

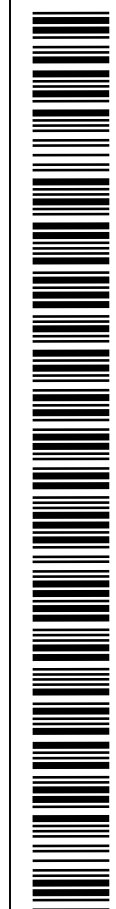
This drawing is confidential and must not be reproduced or used without the consent of EXM

Ce dessin est confidentiel et ne doit pas être reproduit ou utilisé sans le consentement de EXM

No.	Revisions	Date	By/Par



Isometric View

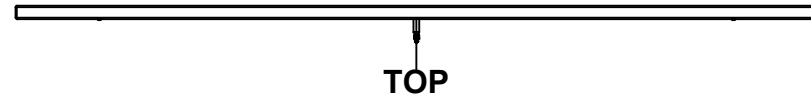


1	STK-P-03810R	0	Powder Paint (Iron Grey / Rough Textured)
1	STK-Q-04000	4	M6.0 x 9.5mm Truss Head Tapping Screw
2	STK-Q-70486	0	6500 MX Single Rear Panel Bracket
4	STK-Q-47250-12	6	6500 MX 1200mm Horizontal Frame Post Part
4	STK-Q-47250-05	6	6500 MX 500mm Horizontal Frame Post Part
2	STK-Q-05020	5	M5 x 8mm Thread Rolling Screw
2	STK-A-74730	2	6500 MX - Flange Door Sealing Block
21	STK-Q-77120	1	6500MX-Frame Rubber Plug
8	STK-A-70580	4	Mtrx Bracket
8	STK-Q-00610	3	M16 x 30.0mm Bolt
8	STK-A-49448	6	6500 MX - Frame Sheet Metal Corner Assembly
4	STK-Q-49500	3	M12 Eye Bolt (0.34T)
4	STK-Q-61110	0	M12 Feet Leveler
4	STK-Q-47251-18	6	6500 MX 1800mm Vertical Frame Post Part
Qty	Part Number	Rev	Description
Parts List			

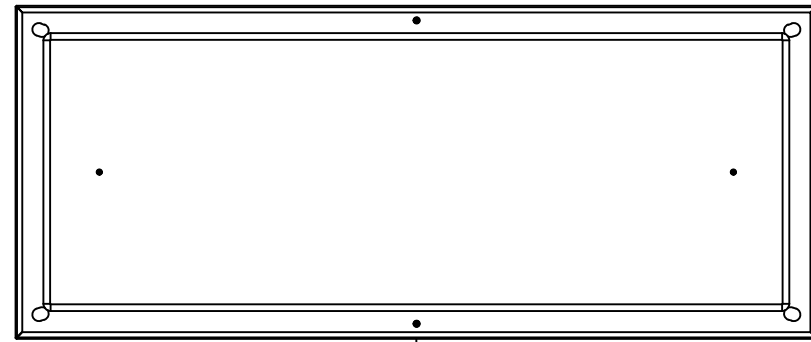
	Tél: (450) 979-4373 Fax: (450) 979-4626 <a href="http://www.exmweb.com">www.exmweb.com</a>	Flatness Aplatissement Max 3.0mm
		Projection 
Customer Client	Date	
Drawn By Dessiné Par	BoxCad: BoxCad	Date 19-Jan-15
Material Matière	16 Ga Electro-Galvanized (1.4mm)	
Color Couleur	Iron Grey RAL7011	Finish Fini Rough Textured
Description	Detail Rev.	
6500 MX 1800mm x 1200mm x 500mm Frame		
Part Number Numéro Pièce	Rev.	4
<b>6500MXK181205FR</b>	<b>0</b>	18

This drawing is confidential and must not be reproduced or used without the consent of EXM

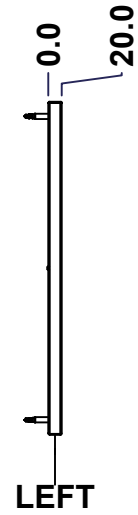
Ce dessin est confidentiel et ne doit pas être reproduit ou utilisé sans le consentement de EXM



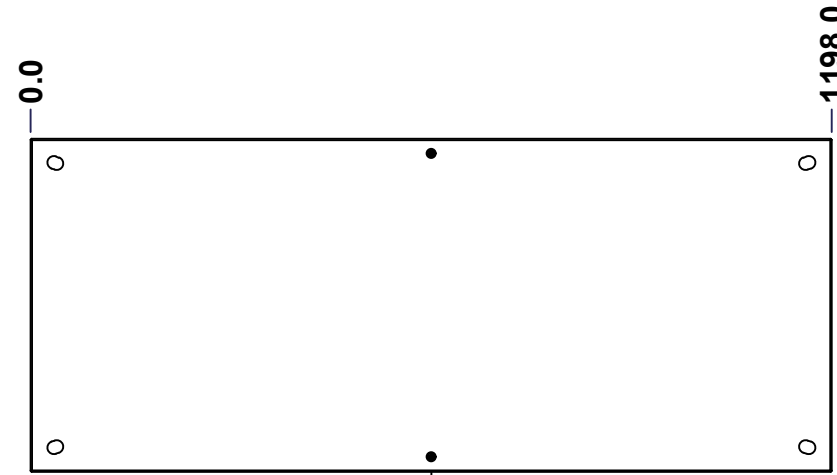
TOP



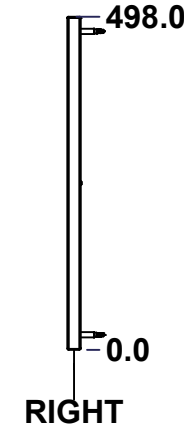
BACK



LEFT

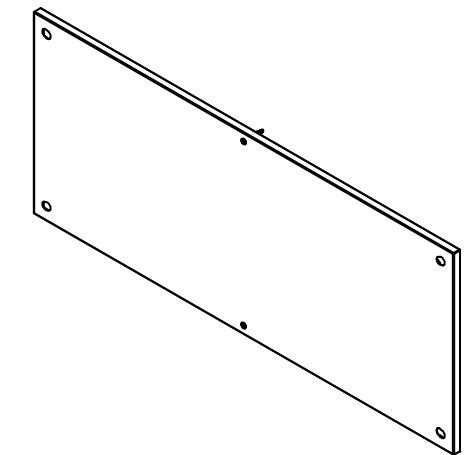


FRONT



RIGHT

No.	Revisions	Date	By/Par




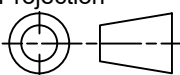
Isometric View



BOTTOM

Use gasket program path 6500 MX > 6500 MXT

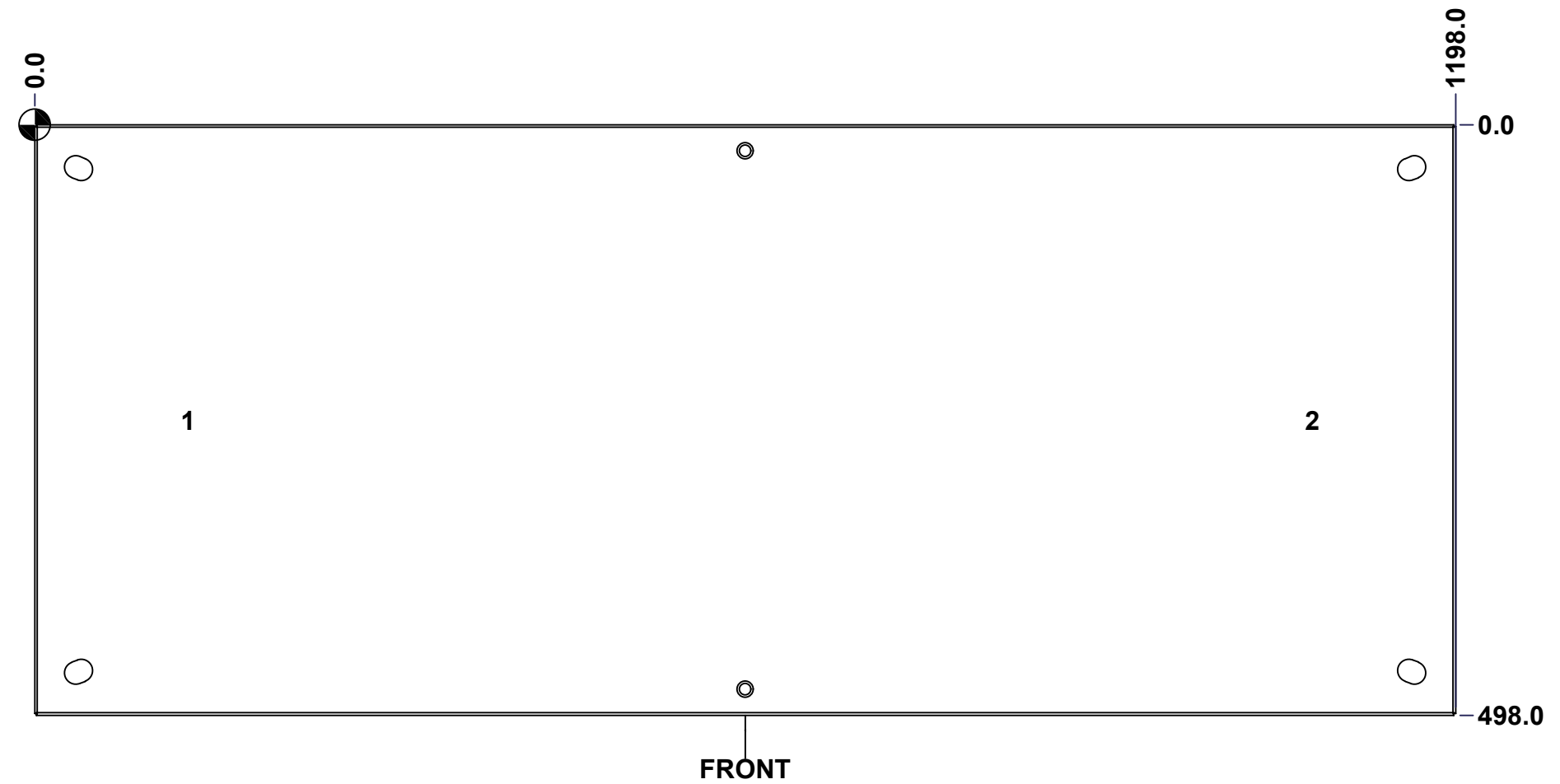
SEE BILL OF MATERIAL ON LAST PAGE

 Tél: (450) 979-4373 Fax: (450) 979-4626 <a href="http://www.exmweb.com">www.exmweb.com</a>		Flatness Aplatissement Max 3.0mm
Projection 		Date 19-Jan-15
Customer Client	Date	
Drawn By Dessiné Par	BoxCad: BoxCad	Date 19-Jan-15
Material Matière	16 Ga Cold Rolled A1008 CS Type B	
Color Couleur	Iron Grey RAL7011	Finish Fini Rough Textured
Description	Detail Rev.	
6500 MXT 1200mm x 500mm Top		
Part Number Numéro Pièce	Rev.	5
<b>6500MXK181205T</b>	<b>0</b>	18

This drawing is confidential and must not be reproduced or used without the consent of EXM

Ce dessin est confidentiel et ne doit pas être reproduit ou utilisé sans le consentement de EXM

STANDARD FEATURES ARE NOT LISTED IN THIS HOLE TABLE			
HOLE TABLE - FRONT VIEW (CUSTOM FEATURE ONLY)			
CUT-OUT	XDIM	YDIM	DESCRIPTION
1	125.0	249.0	GND STUD M6 x 18mm (Inside)
2	1073.0	249.0	GND STUD M6 x 18mm (Inside)



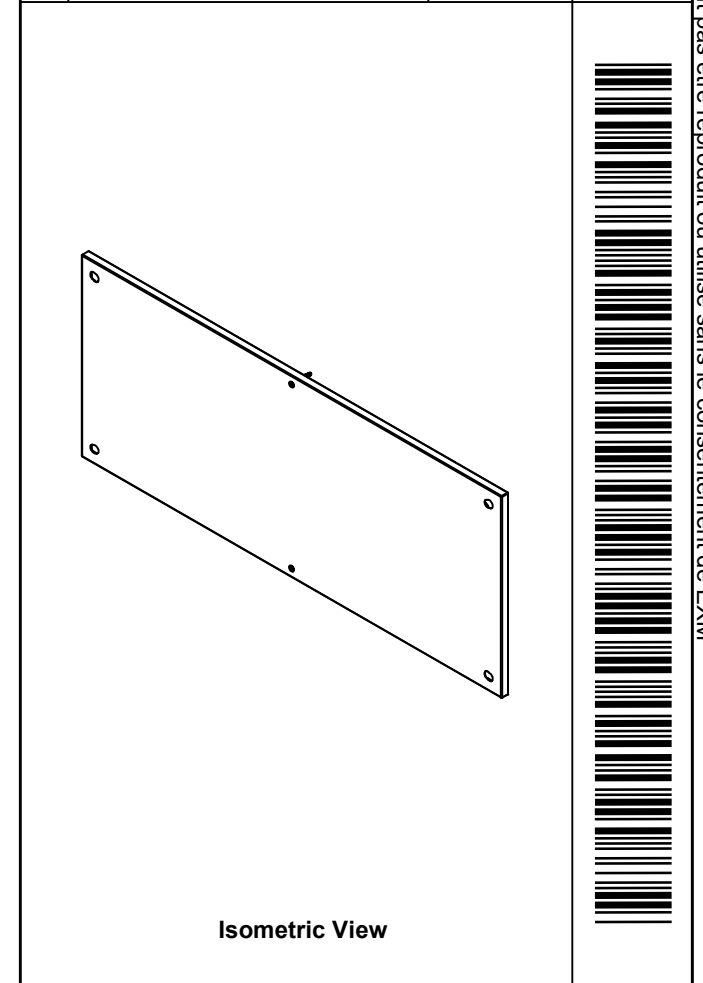
Use bending program path 6500 MX > 6500 MXT


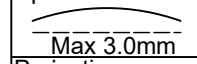
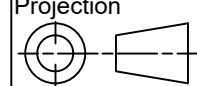
	Description	Status
	6500 MXT 1200mm x 500mm Top	(NULL)
	Part Number Numéro Pièce	Rev.
	<b>6500MXK181205T</b>	<b>0</b> / 6
		18

This drawing is confidential and must not be reproduced or used without the consent of EXM

Ce dessin est confidentiel et ne doit pas être reproduit ou utilisé sans le consentement de EXM

No.	Revisions	Date	By/Par

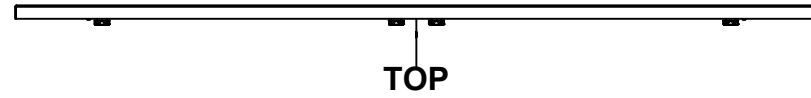


 Tél: (450) 979-4373 Fax: (450) 979-4626 <a href="http://www.exmweb.com">www.exmweb.com</a>		Flatness Aplatissement  Max 3.0mm
Customer Client		Date
Drawn By Dessiné Par BoxCad: BoxCad		Date 19-Jan-15
Material Matière 16 Ga Cold Rolled A1008 CS Type B		
Color Couleur Iron Grey RAL7011	Finish Fini Rough Textured	Projection 
Description 6500 MXT 1200mm x 500mm Top		Detail Rev.
Part Number Numéro Pièce <b>6500MXK181205T</b>		Rev. 7 <b>0</b>

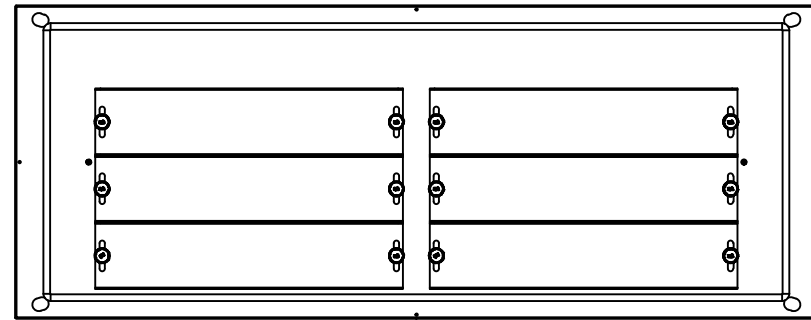
Qty	Part Number	Rev	Description
1	STK-P-03810R	0	Powder Paint (Iron Grey / Rough Textured)
2	STK-Q-16055	1	M6 x 18mm Stud (No Paint Cap Required)
2	STK-Q-90227	1	Flat Head Drilling Screw M6.3 x 56.0mm Long
1	6500MXK181205TG	0	6500 MXT 1200mm x 500mm Top Gasket
1	6500MXK181205T-P	0	6500 MXT 1200mm x 500mm Top Part
Parts List			

This drawing is confidential and must not be reproduced or used without the consent of EXM

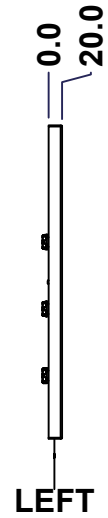
Ce dessin est confidentiel et ne doit pas être reproduit ou utilisé sans le consentement de EXM



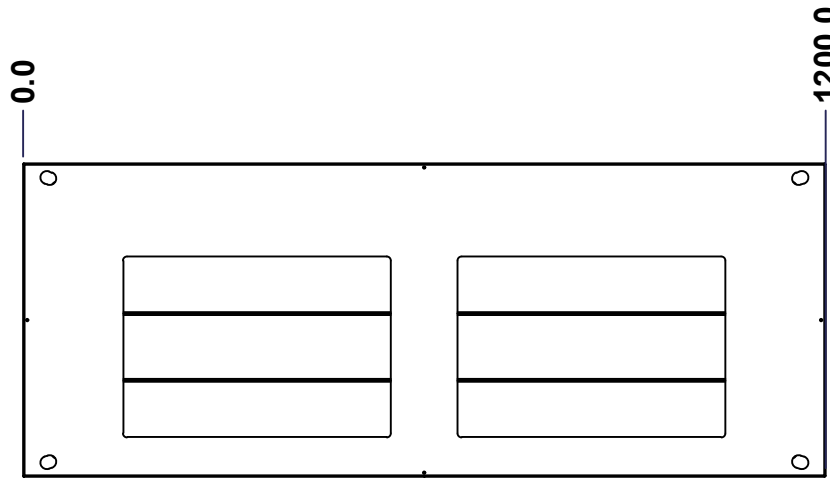
TOP



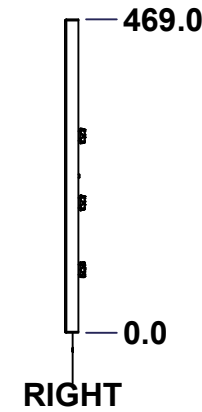
BACK



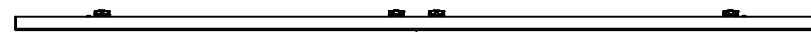
LEFT



FRONT



RIGHT



BOTTOM

No.	Revisions	Date	By/Par

**Isometric View**

Tél: (450) 979-4373 Fax: (450) 979-4626 <a href="http://www.exmweb.com">www.exmweb.com</a>		Flatness Aplatissement	
		Max 3.0mm	
Customer Client		Date	
Drawn By Dessiné Par		Date	
Material Matière		Projection	
Color Couleur		Date	
Description		Detail Rev.	
Part Number Numéro Pièce		Rev.	

BoxCad: BoxCad  
 19-Jan-15  
 16 Ga Cold Rolled A1008 CS Type B  
 Iron Grey RAL7011  
 Rough Textured  
 6500 MXB 1200mm x 500mm Bottom  
**6500MXK181205BT**  
 8  
 0  
 18

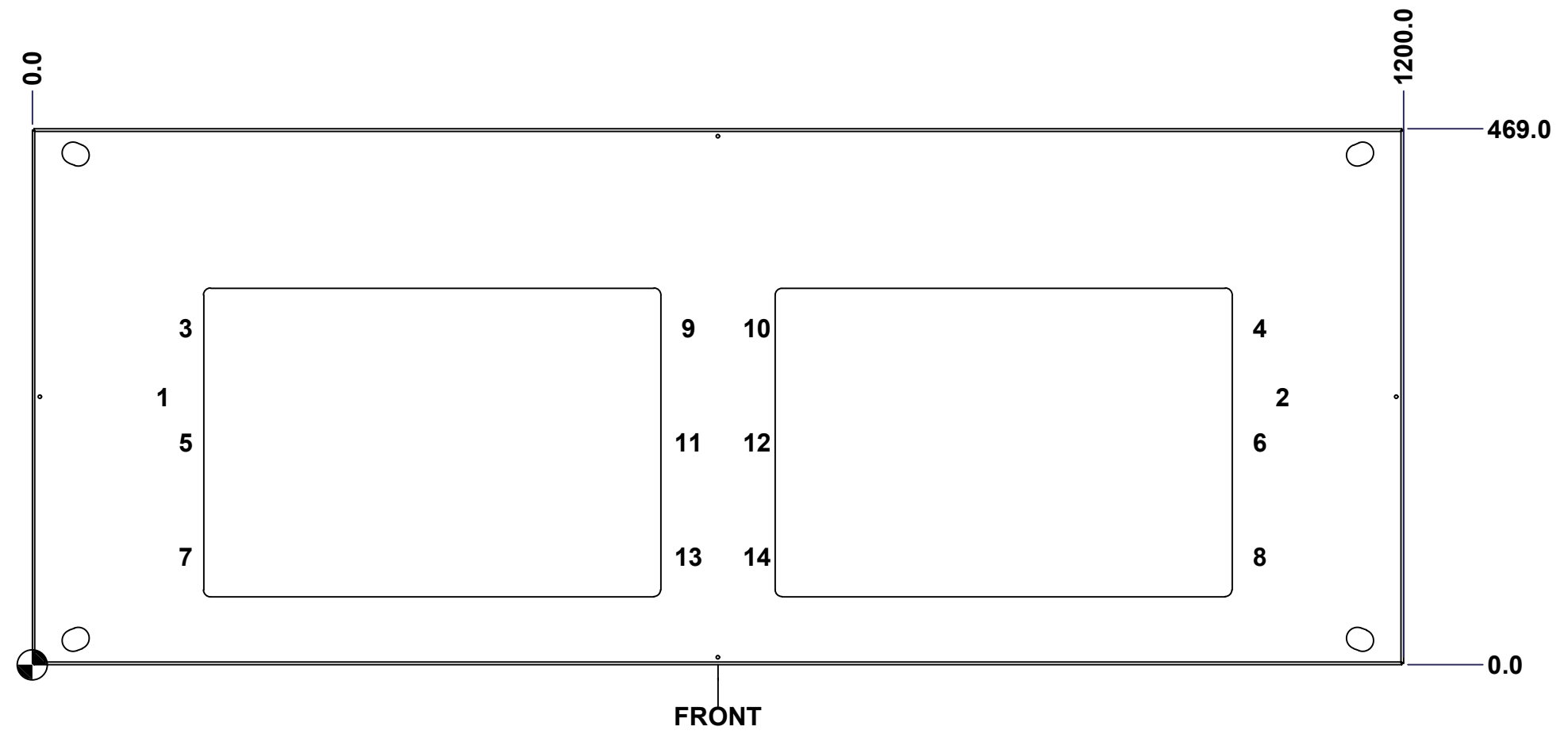
Use gasket program path 6500 MX > 6500MXB

SEE BILL OF MATERIAL ON LAST PAGE

This drawing is confidential and must not be reproduced or used without the consent of EXM

Ce dessin est confidentiel et ne doit pas être reproduit ou utilisé sans le consentement de EXM

STANDARD FEATURES ARE NOT LISTED IN THIS HOLE TABLE			
HOLE TABLE - FRONT VIEW (CUSTOM FEATURE ONLY)			
CUT-OUT	XDIM	YDIM	DESCRIPTION
1	110.0	234.5	GND STUD M6 x 18mm (Inside)
2	1090.0	234.5	GND STUD M6 x 18mm (Inside)
3	130.0	294.5	GP STUD M6 x 18mm (Inside)
4	1070.0	294.5	GP STUD M6 x 18mm (Inside)
5	130.0	194.5	GP STUD M6 x 18mm (Inside)
6	1070.0	194.5	GP STUD M6 x 18mm (Inside)
7	130.0	94.5	GP STUD M6 x 18mm (Inside)
8	1070.0	94.5	GP STUD M6 x 18mm (Inside)
9	570.0	294.5	GP STUD M6 x 18mm (Inside)
10	630.0	294.5	GP STUD M6 x 18mm (Inside)
11	570.0	194.5	GP STUD M6 x 18mm (Inside)
12	630.0	194.5	GP STUD M6 x 18mm (Inside)
13	570.0	94.5	GP STUD M6 x 18mm (Inside)
14	630.0	94.5	GP STUD M6 x 18mm (Inside)



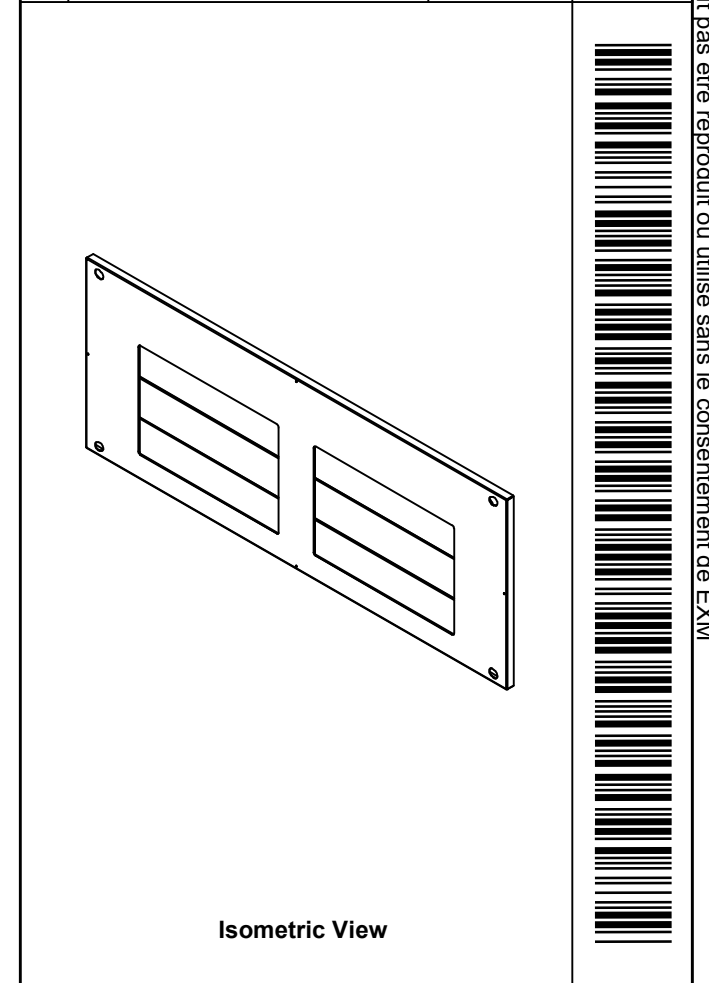
Use bending program path 6500 MX > 6500MXB


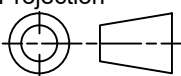
	Description	Status
	6500 MXB 1200mm x 500mm Bottom	(NULL)
	Part Number Numéro Pièce	Rev.
	<b>6500MXK181205BT</b>	<b>0</b> / 9
		18

This drawing is confidential and must not be reproduced or used without the consent of EXM

Ce dessin est confidentiel et ne doit pas être reproduit ou utilisé sans le consentement de EXM

No.	Revisions	Date	By/Par

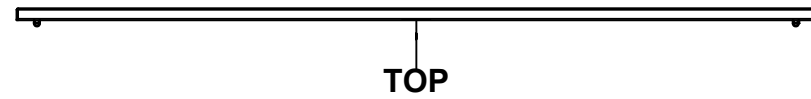


 Tél: (450) 979-4373 Fax: (450) 979-4626 <a href="http://www.exmweb.com">www.exmweb.com</a>		Flatness Aplatissement Max 3.0mm
Customer Client		Projection 
Drawn By / Dessiné Par: BoxCad: BoxCad		Date: 19-Jan-15
Material / Matière: 16 Ga Cold Rolled A1008 CS Type B		
Color / Couleur: Iron Grey RAL7011	Finish / Fini: Rough Textured	
Description: 6500 MXB 1200mm x 500mm Bottom		Detail Rev.
Part Number / Numéro Pièce: <b>6500MXK181205BT</b>		Rev. 10 <b>0</b> 18

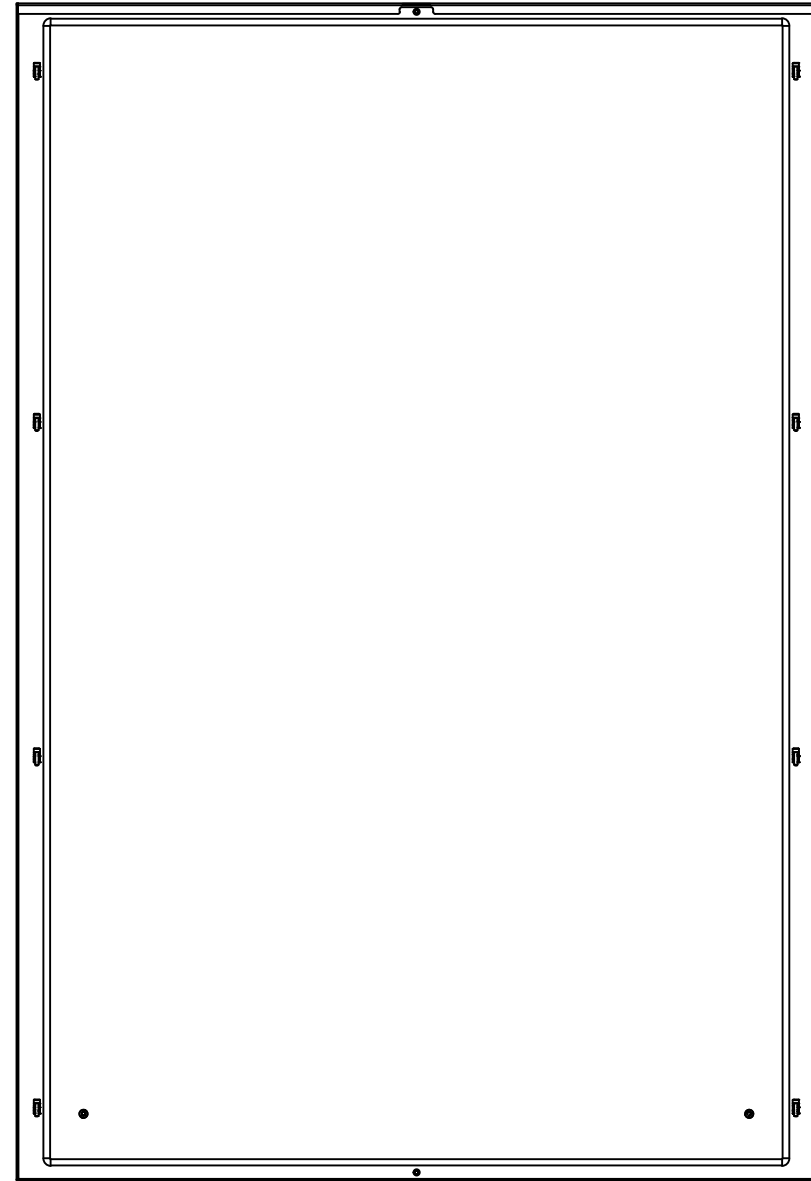
Qty	Part Number	Rev	Description
1	STK-P-03810R	0	Powder Paint (Iron Grey / Rough Textured)
12	STK-Q-06001	0	Mtrx - Gland Plate M6 Plastic Thumb Nut
14	STK-Q-16055	1	M6 x 18mm Stud (No Paint Cap Required)
6	6500MXK181205GP100-P	0	6500 MXB 1200mm Gland Plate Part (100mm)
2	6500MXK181205BTGPG	0	6500 MXB 1200mm x 500mm Bottom Gland Plate Gasket
1	6500MXK181205BTG	0	6500 MXB 1200mm x 500mm Bottom Gasket
1	6500MXK181205BT-P	0	6500 MXB 1200mm x 500mm Bottom Part
Parts List			

This drawing is confidential and must not be reproduced or used without the consent of EXM

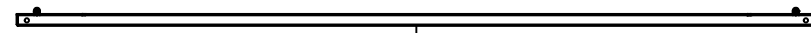
Ce dessin est confidentiel et ne doit pas être reproduit ou utilisé sans le consentement de EXM



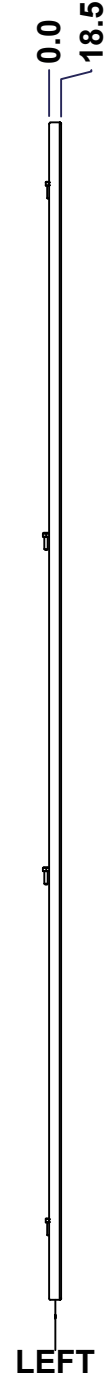
TOP



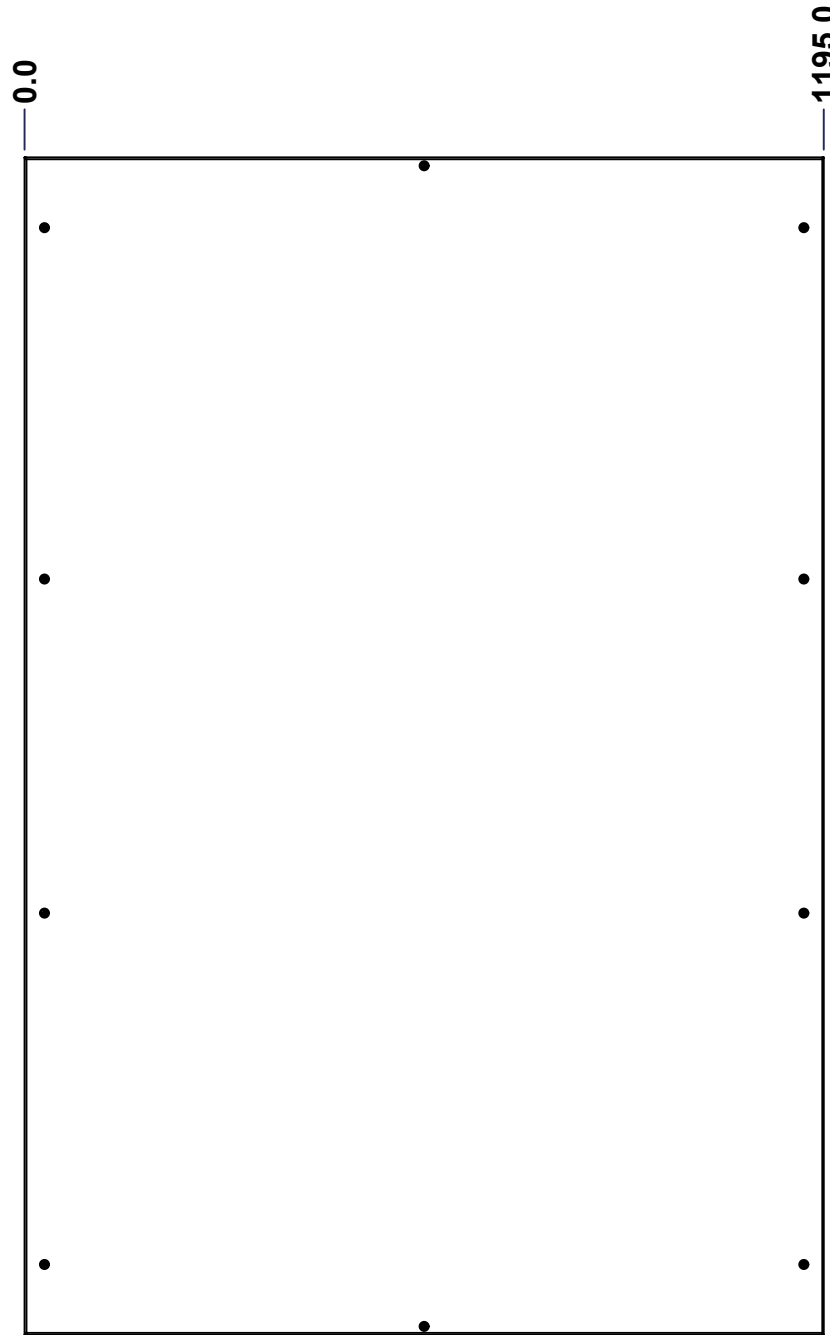
BACK



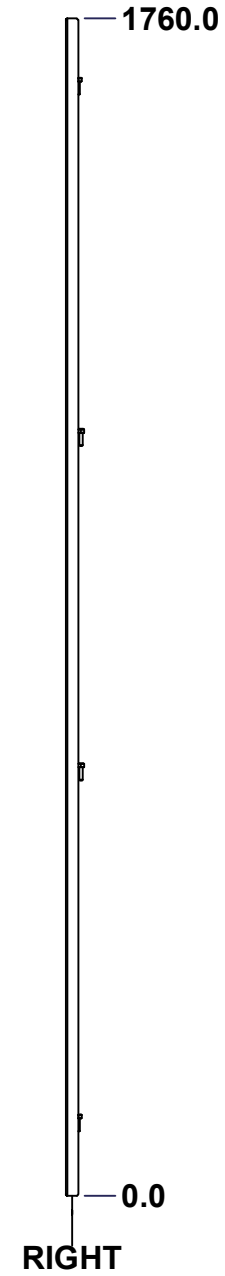
BOTTOM



LEFT



FRONT



RIGHT

No.	Revisions	Date	By/Par

**Isometric View**

<p>Tél: (450) 979-4373 Fax: (450) 979-4626 <a href="http://www.exmweb.com">www.exmweb.com</a></p>		Flatness Aplatissement	
		Max 3.0mm	
Projection			
Customer Client		Date	
Drawn By Dessiné Par BoxCad: BoxCad		Date 19-Jan-15	
Material Matière 14 Ga Cold Rolled A1008 CS Type B			
Color Couleur Light Grey RAL7035		Finish Fini Rough Textured	
Description 6500 MXR 1800mm x 1200mm Back			Detail Rev.
Part Number Numéro Pièce <b>6500MXK181205B</b>		Rev. <b>0</b>	11 / 18

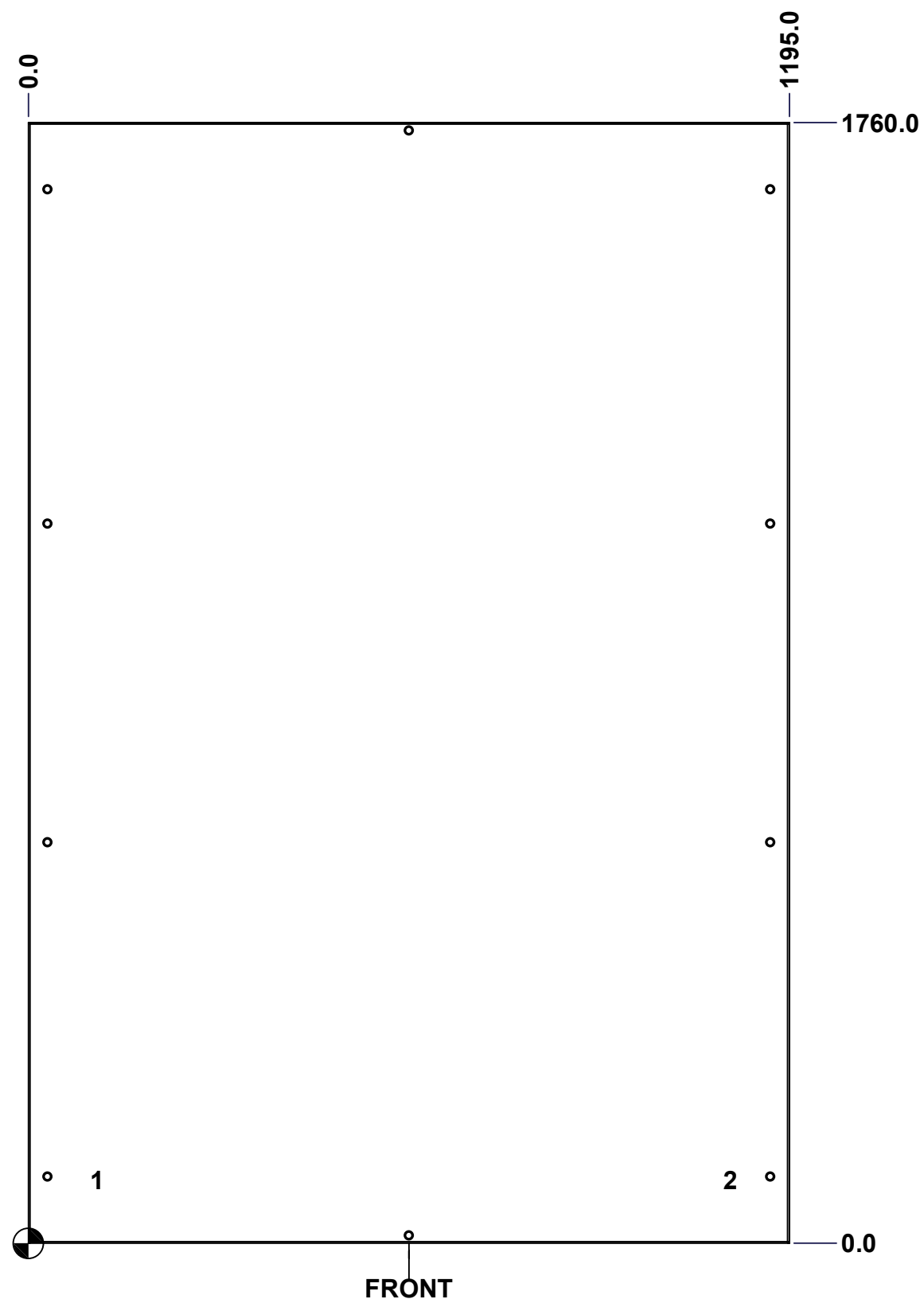
Use gasket program path 6500 MX > 6500 MXR

SEE BILL OF MATERIAL ON LAST PAGE

This drawing is confidential and must not be reproduced or used without the consent of EXM

Ce dessin est confidentiel et ne doit pas être reproduit ou utilisé sans le consentement de EXM

STANDARD FEATURES ARE NOT LISTED IN THIS HOLE TABLE			
HOLE TABLE - FRONT VIEW (CUSTOM FEATURE ONLY)			
CUT-OUT	XDIM	YDIM	DESCRIPTION
1	100.0	100.0	GND STUD M6 x 16mm (Inside)
2	1095.0	100.0	GND STUD M6 x 16mm (Inside)



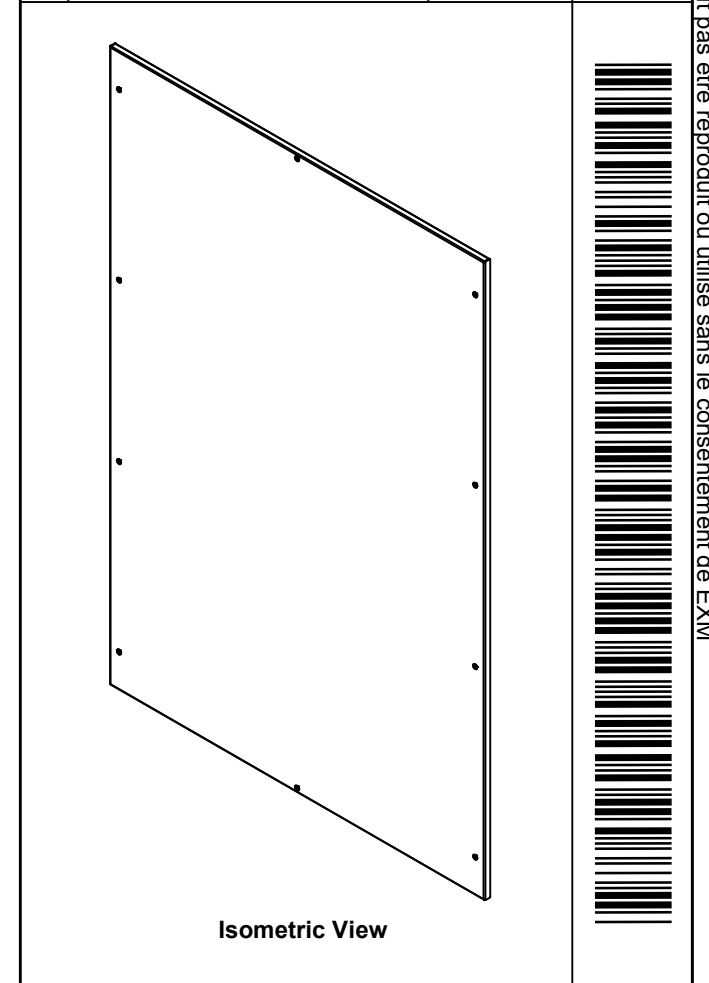
Use bending program path 6500 MX > 6500 MXR


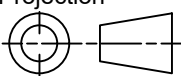
	Description 6500 MXR 1800mm x 1200mm Back	Status (NULL)
	Part Number Numéro Pièce <b>6500MXK181205B</b>	Rev. 12 <b>0</b> 18

This drawing is confidential and must not be reproduced or used without the consent of EXM

Ce dessin est confidentiel et ne doit pas être reproduit ou utilisé sans le consentement de EXM

No.	Revisions	Date	By/Par

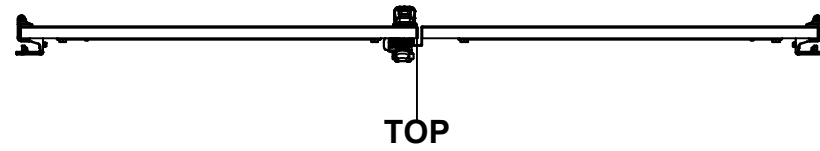


 Tél: (450) 979-4373 Fax: (450) 979-4626 <a href="http://www.exmweb.com">www.exmweb.com</a>		Flatness Aplatissement Max 3.0mm Projection 
Customer Client	Date	
Drawn By Dessiné Par	BoxCad: BoxCad	Date 19-Jan-15
Material Matière	14 Ga Cold Rolled A1008 CS Type B	
Color Couleur	Light Grey RAL7035	Finish Fini Rough Textured
Description	Detail Rev.	
6500 MXR 1800mm x 1200mm Back		
Part Number Numéro Pièce	Rev.	13
<b>6500MXK181205B</b>	<b>0</b>	18

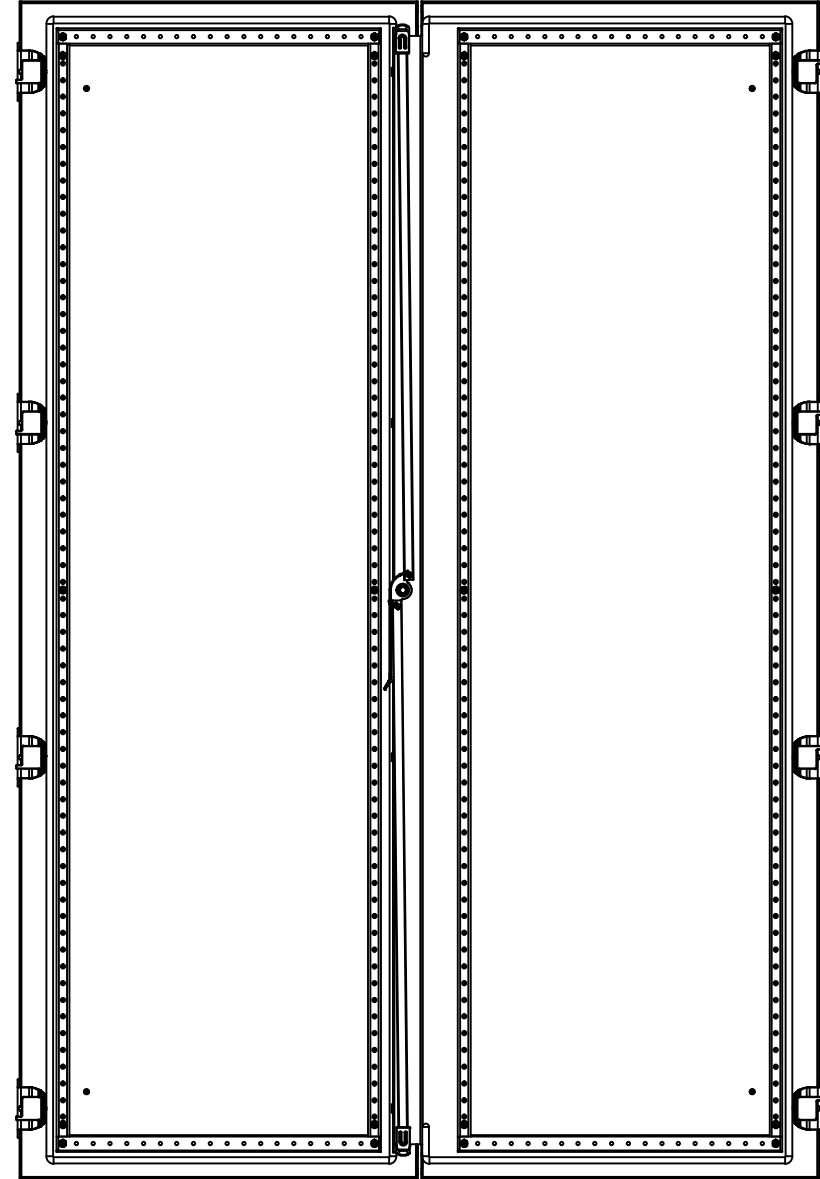
Qty	Part Number	Rev	Description
1	STK-P-03820R	0	Powder Paint (Light Grey / Rough Textured)
1	6500MXK181205BG	0	6500 MXR 1800mm x 1200mm Back Gasket
8	STK-A-70579	3	6500 MX Side Panel Insert Assembly
10	STK-Q-03071	0	M6 x 16mm Machine Screw
2	STK-Q-16080	0	Ground Stud M6 x 16mm Steel
1	6500MXK181205B-P	0	6500 MXR 1800mm x 1200mm Back Part
Parts List			

This drawing is confidential and must not be reproduced or used without the consent of EXM

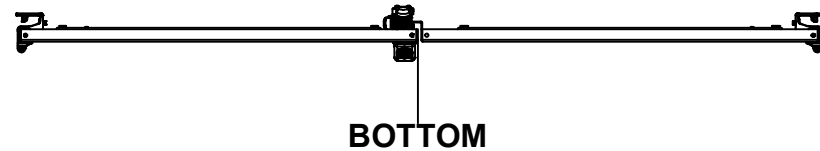
Ce dessin est confidentiel et ne doit pas être reproduit ou utilisé sans le consentement de EXM



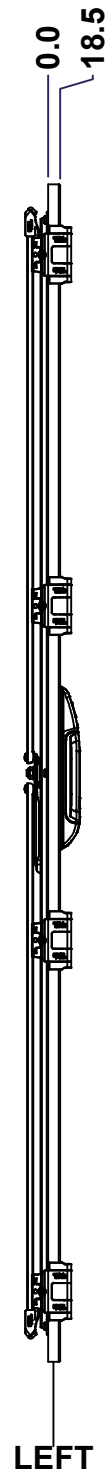
TOP



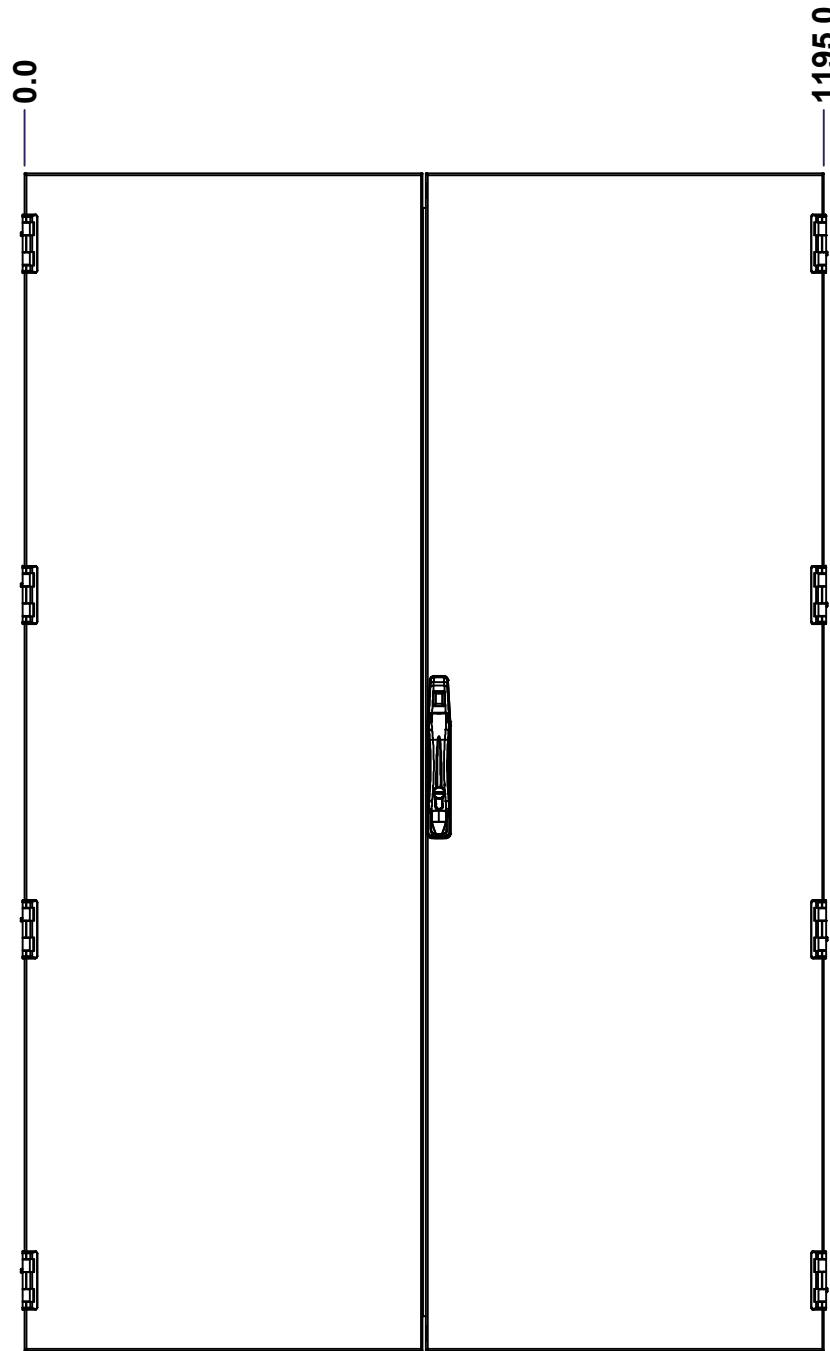
BACK



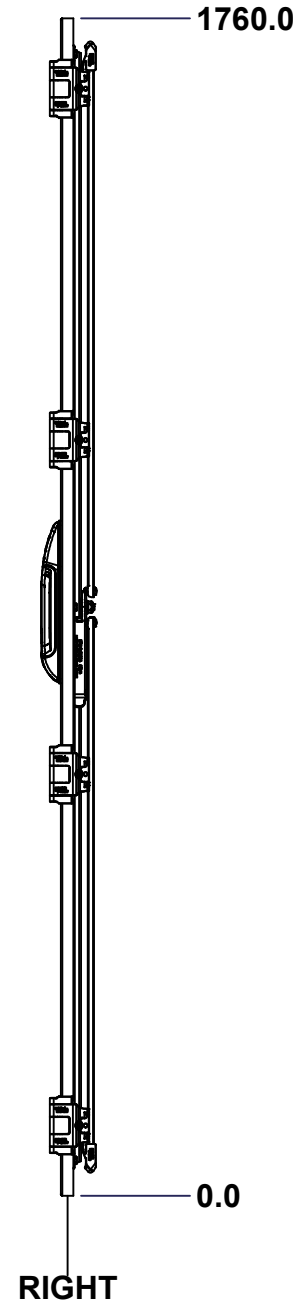
BOTTOM



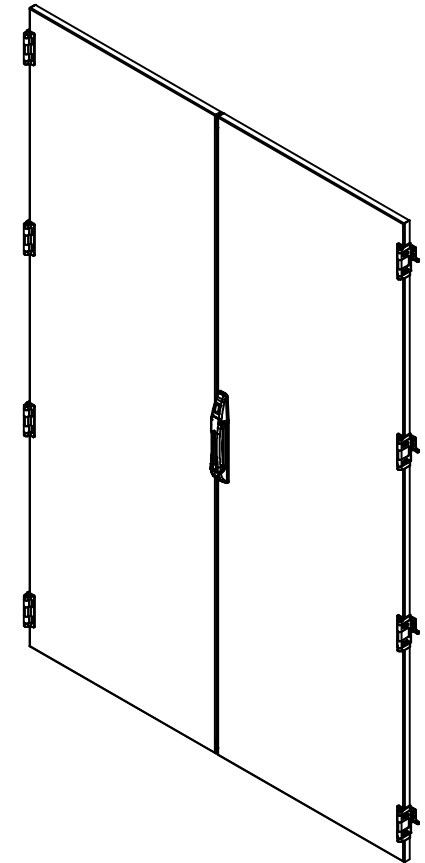
LEFT



FRONT



RIGHT



Isometric View



No.	Revisions	Date	By/Par

**EXM**  
exm

Tél: (450) 979-4373  
Fax: (450) 979-4626  
[www.exmweb.com](http://www.exmweb.com)

Flatness  
Aplatissement  
Max 3.0mm  
Projection

Customer Client	Date
Drawn By Dessiné Par	Date

Material Matière: 14 Ga Cold Rolled A1008 CS Type B

Color Couleur	Light Grey RAL7035	Finish Fini	Rough Textured
---------------	--------------------	-------------	----------------

Description	Detail Rev.
6500 MXDD 1800mm x 1200mm Front	

Part Number Numéro Pièce	Rev.	14
<b>6500MXK181205F</b>	<b>0</b>	18

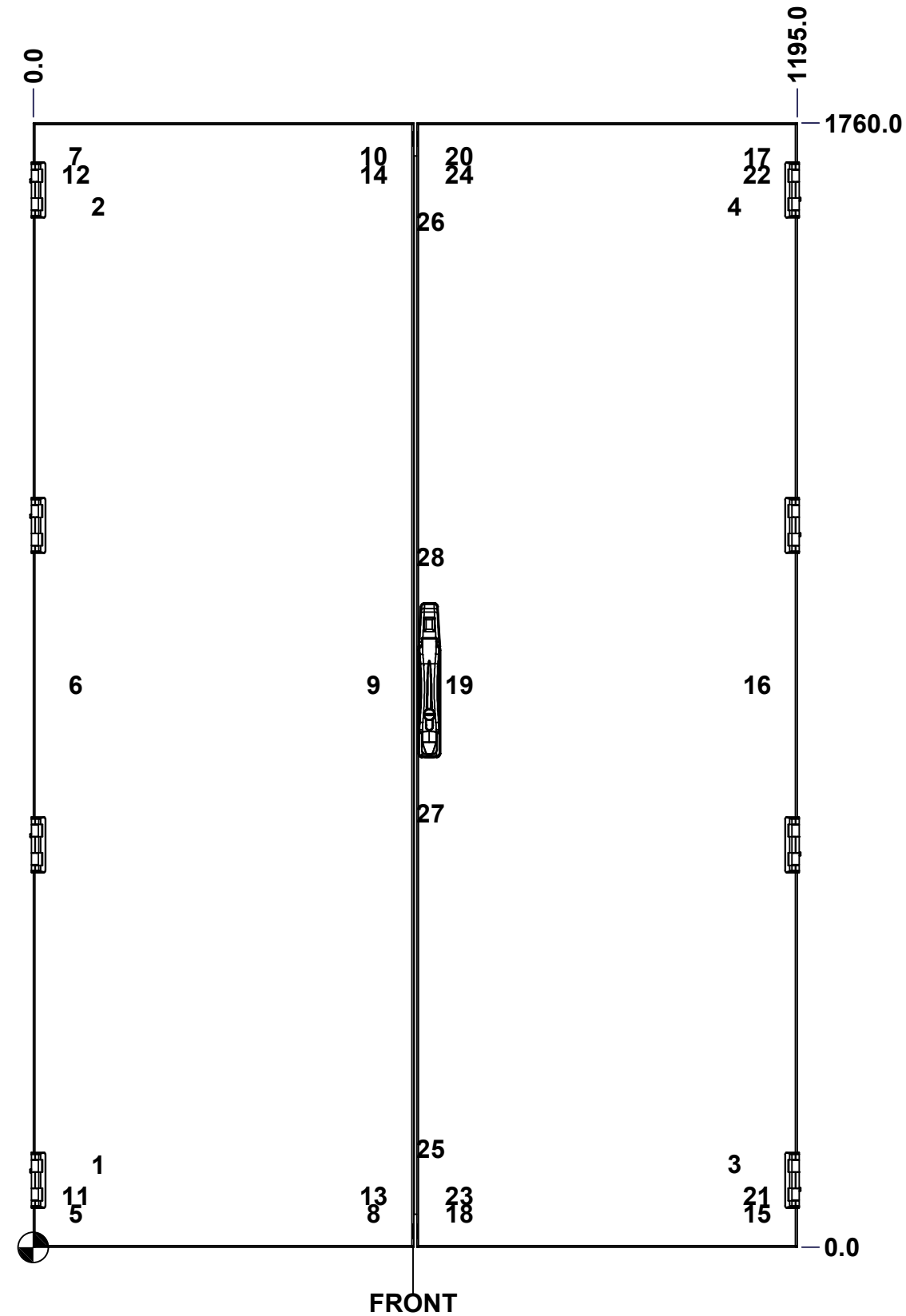
Use gasket program path 6500 MX > 6500 MXD  
Use gasket program path 6500 MX > 6500 MXFD

SEE BILL OF MATERIAL ON LAST PAGE

This drawing is confidential and must not be reproduced or used without the consent of EXM

Ce dessin est confidentiel et ne doit pas être reproduit ou utilisé sans le consentement de EXM

STANDARD FEATURES ARE NOT LISTED IN THIS HOLE TABLE			
HOLE TABLE - FRONT VIEW (CUSTOM FEATURE ONLY)			
CUT-OUT	XDIM	YDIM	DESCRIPTION
1	100.0	130.0	GND STUD M6 x 16mm (Inside)
2	100.0	1630.0	GND STUD M6 x 16mm (Inside)
3	1095.0	130.0	GND STUD M6 x 16mm (Inside)
4	1095.0	1630.0	GND STUD M6 x 16mm (Inside)
5	64.5	52.8	STIFF. STUD M6 x 18mm (Inside)
6	64.5	880.0	STIFF. STUD M6 x 18mm (Inside)
7	64.5	1707.2	STIFF. STUD M6 x 18mm (Inside)
8	530.5	52.8	STIFF. STUD M6 x 18mm (Inside)
9	530.5	880.0	STIFF. STUD M6 x 18mm (Inside)
10	530.5	1707.2	STIFF. STUD M6 x 18mm (Inside)
11	64.5	81.0	STIFF. STUD M6 x 18mm (Inside)
12	64.5	1679.0	STIFF. STUD M6 x 18mm (Inside)
13	530.5	81.0	STIFF. STUD M6 x 18mm (Inside)
14	530.5	1679.0	STIFF. STUD M6 x 18mm (Inside)
15	1130.5	52.8	STIFF. STUD M6 x 18mm (Inside)
16	1130.5	880.0	STIFF. STUD M6 x 18mm (Inside)
17	1130.5	1707.2	STIFF. STUD M6 x 18mm (Inside)
18	664.5	52.8	STIFF. STUD M6 x 18mm (Inside)
19	664.5	880.0	STIFF. STUD M6 x 18mm (Inside)
20	664.5	1707.2	STIFF. STUD M6 x 18mm (Inside)
21	1130.5	81.0	STIFF. STUD M6 x 18mm (Inside)
22	1130.5	1679.0	STIFF. STUD M6 x 18mm (Inside)
23	664.5	81.0	STIFF. STUD M6 x 18mm (Inside)
24	664.5	1679.0	STIFF. STUD M6 x 18mm (Inside)
25	619.5	155.0	CLOSING BAR GUIDE (Inside)
26	619.5	1605.0	CLOSING BAR GUIDE (Inside)
27	619.5	680.0	CLOSING BAR GUIDE (Inside)
28	619.5	1080.0	CLOSING BAR GUIDE (Inside)



FRONT

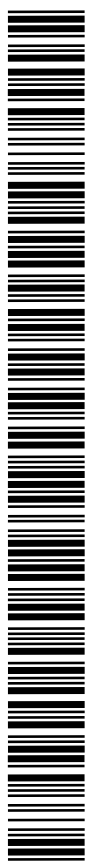
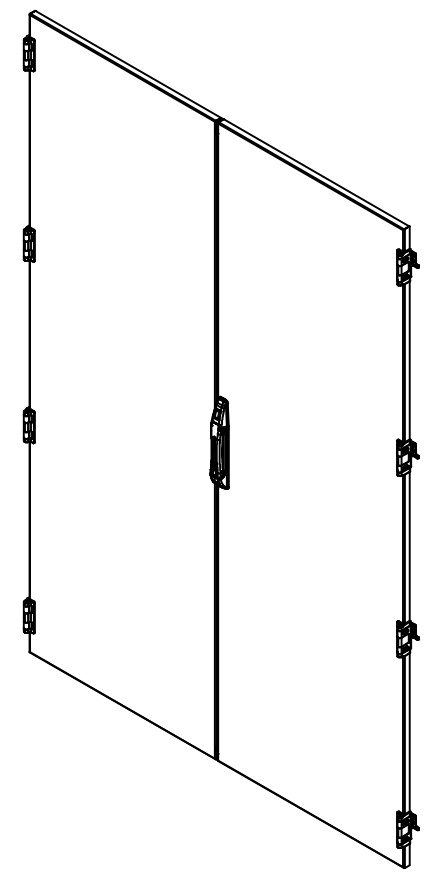
Use bending program path 6500 MX > 6500 MXD  
 Use bending program path 6500 MX > 6500 MXFD

	Description	Status	
	6500 MXDD 1800mm x 1200mm Front	(NULL)	
	Part Number	Rev.	15
	Numéro Pièce	<b>0</b>	18
	<b>6500MXK181205F</b>		

This drawing is confidential and must not be reproduced or used without the consent of EXM


Ce dessin est confidentiel et ne doit pas être reproduit ou utilisé sans le consentement de EXM

No.	Revisions	Date	By/Par



Isometric View

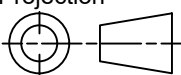
1	STK-P-03820R	0	Powder Paint (Light Grey / Rough Textured)
1	STK-Q-16122	2	Stud M10 x 20mm
1	STK-K-50556	2	9500 DD - Flange Door Handle Assy
4	STK-A-70586	3	Fixed Double Door Bracket Assembly
1	STK-Q-45652-18	5	6500 MX - Lower Closing Bar 1800mm
1	STK-Q-45651-18	0	6500 MX - Upper Closing Bar 1800mm
8	STK-K-06800	2	6500 MX 270° Hinge
2	STK-Q-90041	6	6500 MXDD - Closing Bar End
2	STK-Q-45650-18	2	6100 SLDD - Split Door - Closing Bar
6	STK-Q-16405	7	Guide Stud - Small (No Paint Cap Required)
1	6500MXK181205F1G	0	6500 MXDD 1800mm x 1200mm Front Gasket
1	6500MXK181205F1-P	0	6500 MXDD 1800mm x 1200mm Front Part
1	6500MXK181205DS2	5	6500 MX 1800mm x 1200mm Door Stiffener
1	886PHD-S	11	Euroform Pull Handle Kit
24	STK-Q-16055	1	M6 x 18mm Stud (No Paint Cap Required)
1	6500MXK181205DS1	5	6500 MX 1800mm x 1200mm Door Stiffener
1	6500MXK181205FG	0	6500 MXDD 1800mm x 1200mm Front Gasket
1	6500MXK181205F-P	0	6500 MXDD 1800mm x 1200mm Front Part
Qty	Part Number	Rev	Description
Parts List			



Tél: (450) 979-4373  
Fax: (450) 979-4626  
[www.exmweb.com](http://www.exmweb.com)

Flatness  
Aplatissement  
Max 3.0mm

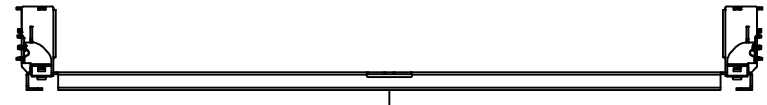
Projection



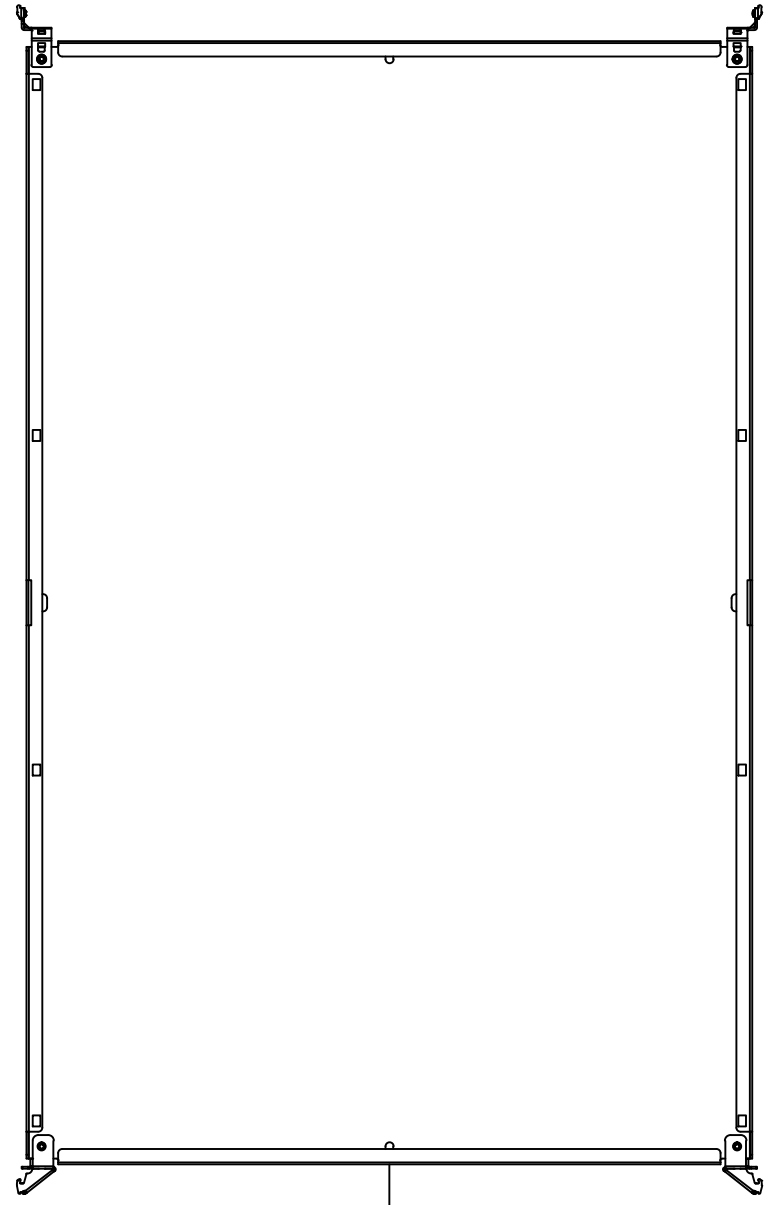
Customer Client		Date
Drawn By Dessiné Par	BoxCad: BoxCad	Date 19-Jan-15
Material Matière 14 Ga Cold Rolled A1008 CS Type B		
Color Couleur	Light Grey RAL7035	Finish Fini Rough Textured
Description 6500 MXDD 1800mm x 1200mm Front		Detail Rev.
Part Number Numéro Pièce <b>6500MXK181205F</b>		Rev. 16 <b>0</b> 18

This drawing is confidential and must not be reproduced or used without the consent of EXM

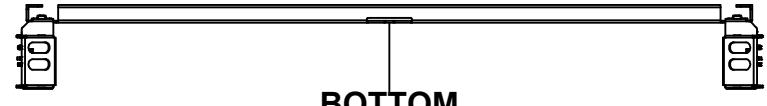
Ce dessin est confidentiel et ne doit pas être reproduit ou utilisé sans le consentement de EXM



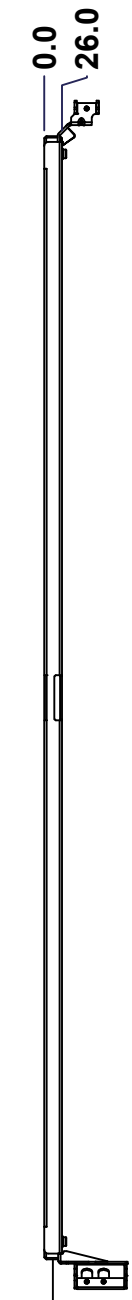
TOP



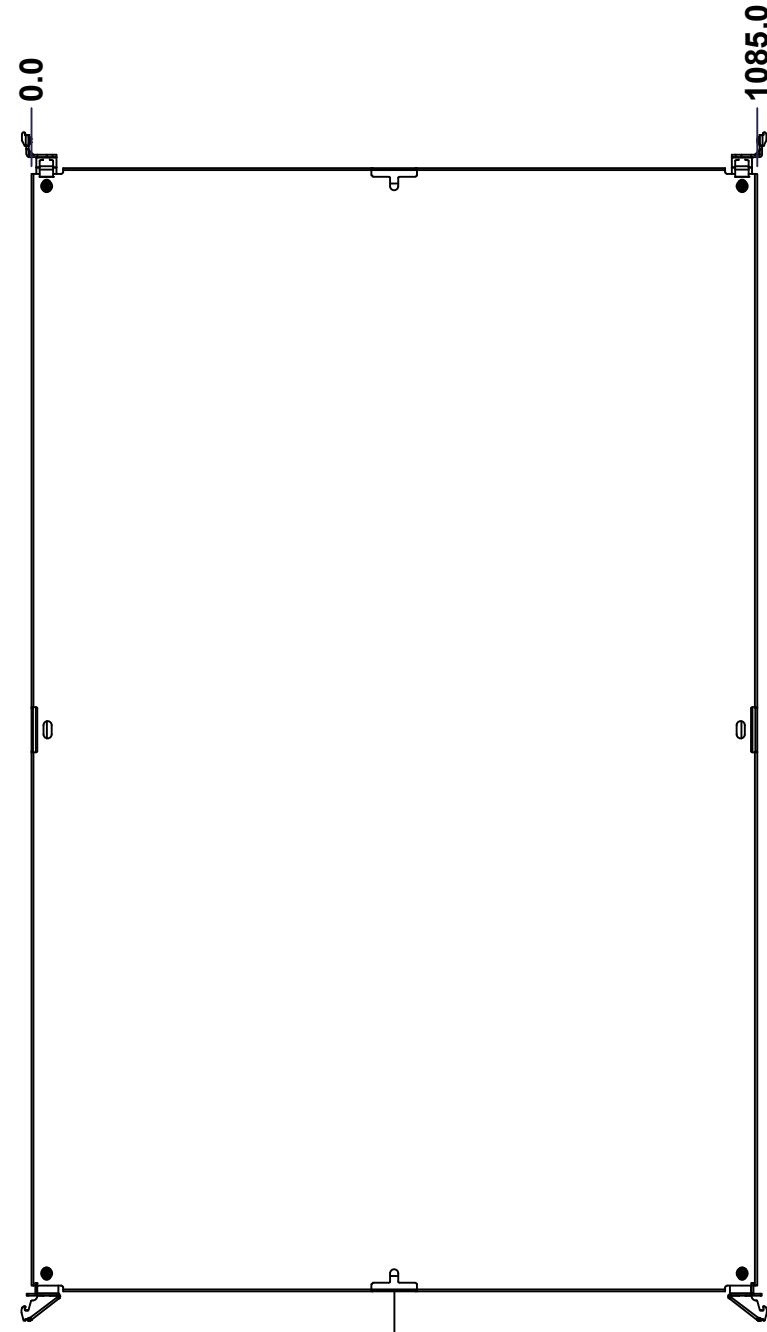
BACK



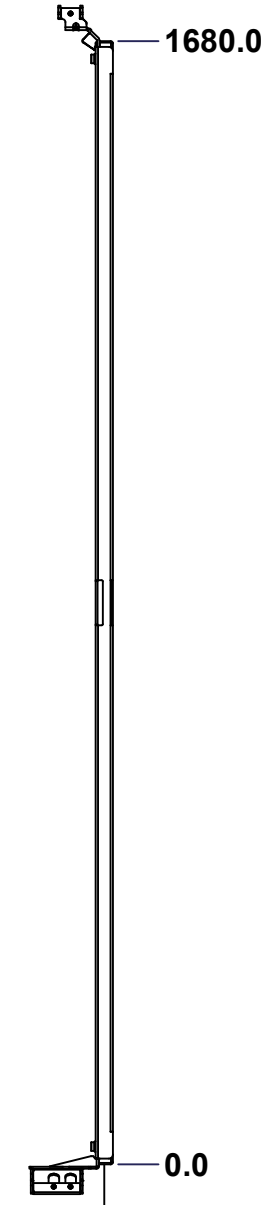
BOTTOM



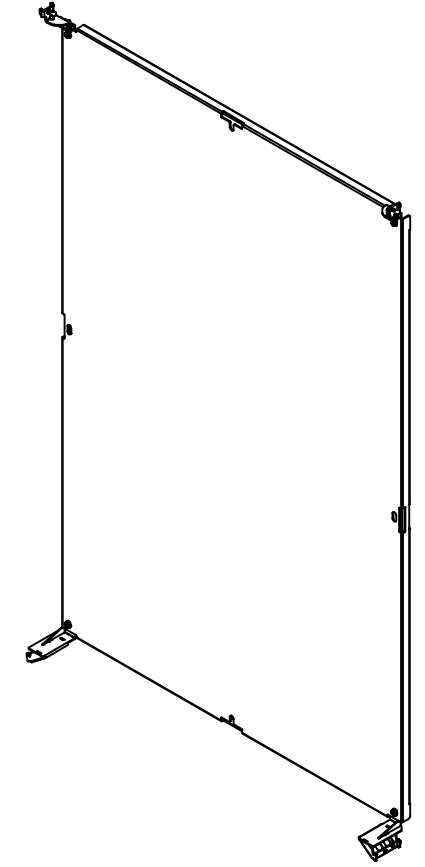
LEFT



FRONT




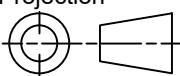
RIGHT



Isometric View



No.	Revisions	Date	By/Par

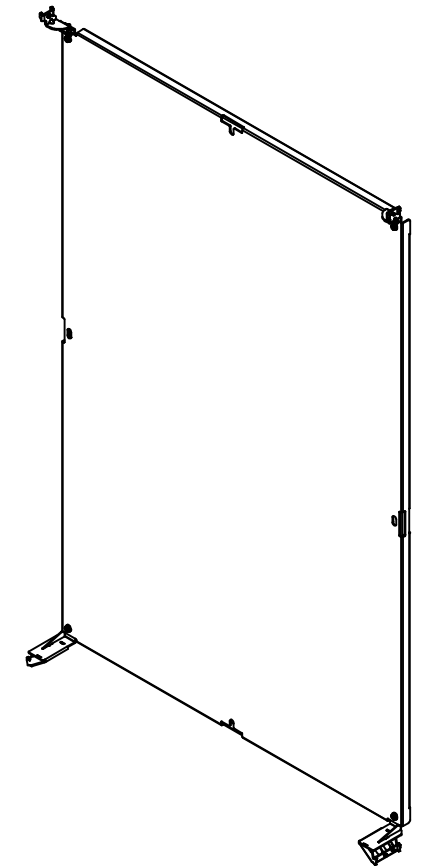
 Tél: (450) 979-4373 Fax: (450) 979-4626 <a href="http://www.exmweb.com">www.exmweb.com</a>		Flatness Aplatissement Max 3.0mm Projection 
Customer Client	Date	
Drawn By Dessiné Par	BoxCad: BoxCad	Date 19-Jan-15
Material Matière	12 Ga Galvanized (2.5mm)	
Color Couleur	Unpainted	Finish Fini Unpainted
Description	Detail Rev.	
6500 MXM 1800mm x 1200mm Back Inner Panel		
Part Number Numéro Pièce	Rev.	17
<b>6500MXK181205BIP</b>	<b>0</b>	18

SEE BILL OF MATERIAL ON LAST PAGE

This drawing is confidential and must not be reproduced or used without the consent of EXM


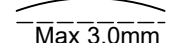
Ce dessin est confidentiel et ne doit pas être reproduit ou utilisé sans le consentement de EXM

No.	Revisions	Date	By/Par



Isometric View



 Tél: (450) 979-4373 Fax: (450) 979-4626 <a href="http://www.exmweb.com">www.exmweb.com</a>		Flatness Aplatissement  Max 3.0mm
Customer Client		Date
Drawn By / Dessiné Par: BoxCad: BoxCad		Date: 19-Jan-15
Material / Matière: 12 Ga Galvanized (2.5mm)		
Color / Couleur: Unpainted	Finish / Fini: Unpainted	
Description: 6500 MXM 1800mm x 1200mm Back Inner Panel		Detail Rev.
Part Number / Numéro Pièce: <b>6500MXK181205BIP</b>		Rev. 0 / 18

Qty	Part Number	Rev	Description
1	STK-A-49005	5	6500 MXM - Bottom Inner Panel Support Assembly (Right)
1	STK-A-49000	5	6500 MXM - Bottom Inner Panel Support Assembly (Left)
1	STK-A-49015	0	6500MXM - Top Inner Panel Support Kit (Right)
1	STK-A-49010	0	6500MXM - Top Inner Panel Support Kit (Left)
1	6500MXK181205BIP-P	0	6500 MXM 1800mm x 1200mm Back Inner Panel Part
Parts List			