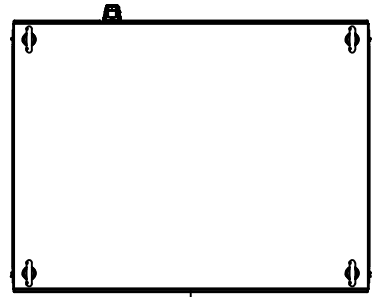
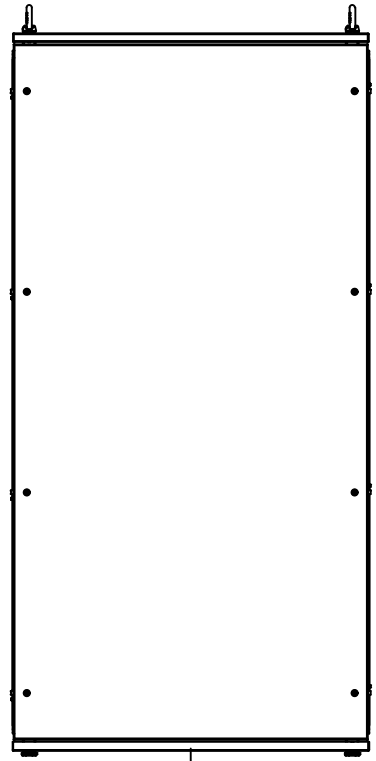


This drawing is confidential and must not be reproduced or used without the consent of EXM

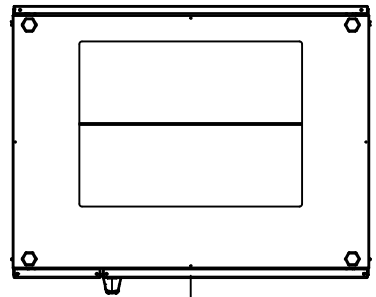
Ce dessin est confidentiel et ne doit pas être reproduit ou utilisé sans le consentement de EXM



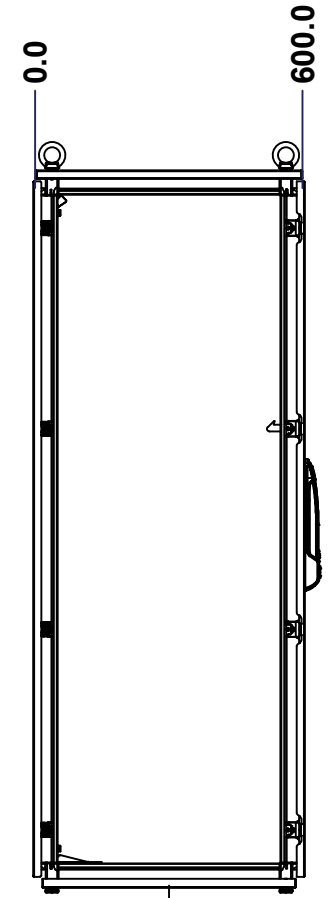
TOP



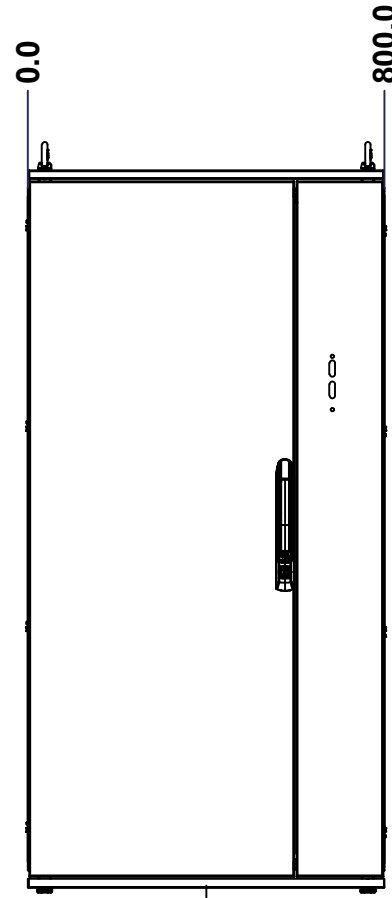
BACK



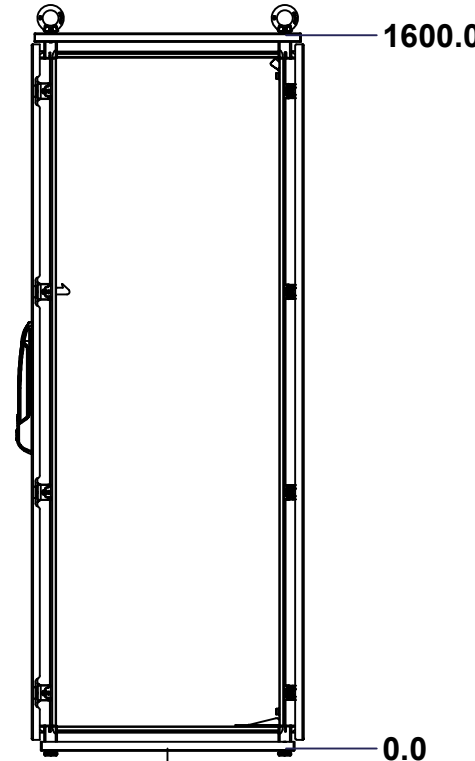
BOTTOM



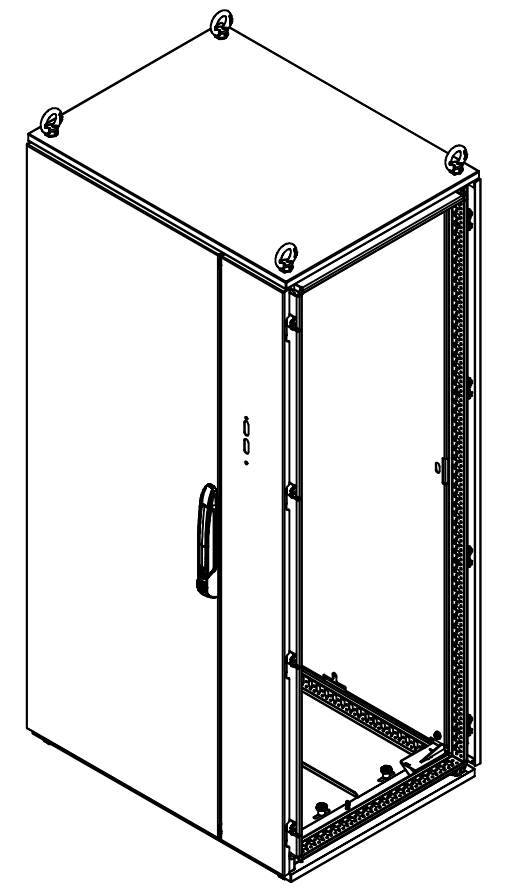
LEFT



FRONT




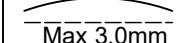
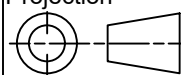
RIGHT



Isometric View



| No. | Revisions | Date | By/Par |
|-----|-----------|------|--------|
| | | | |
| | | | |
| | | | |
| | | | |

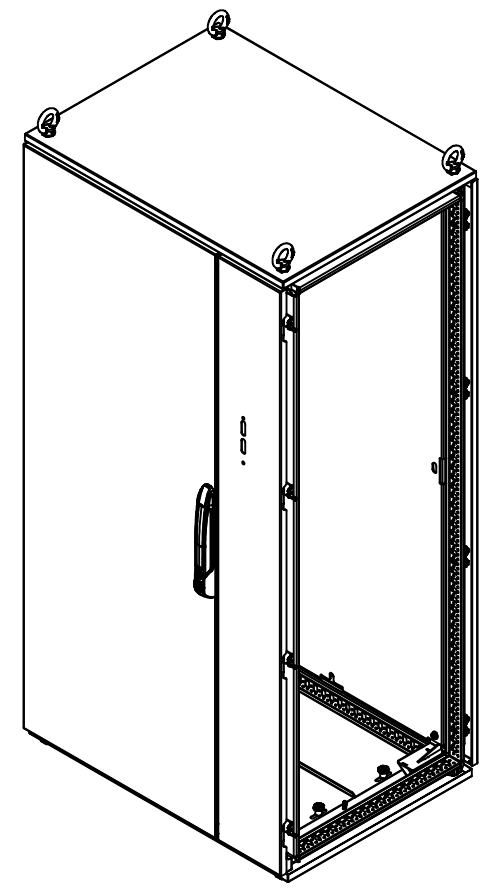
| | | |
|--|----------------------|---|
|  Tél: (450) 979-4373 Fax: (450) 979-4626 www.exmweb.com | | Flatness Aplatissement  Max 3.0mm Projection  |
| Customer Client | | Date |
| Drawn By Dessiné Par | BoxCad: BoxCad | Date 04-Mar-15 |
| Material Matière | See Part List | |
| Color Couleur | See Part List | Finish Fini See Part List |
| Description 6500MX 1600mm x 800mm x 600mm Assembly | | Detail Rev. |
| Part Number Numéro Pièce | 6500MXU160806 | Rev. 1 0 |

SEE BILL OF MATERIAL ON LAST PAGE

This drawing is confidential and must not be reproduced or used without the consent of EXM

Ce dessin est confidentiel et ne doit pas être reproduit ou utilisé sans le consentement de EXM

| No. | Revisions | Date | By/Par |
|-----|-----------|------|--------|
| | | | |
| | | | |
| | | | |
| | | | |
| | | | |



Isometric View



Tél: (450) 979-4373
 Fax: (450) 979-4626
www.exmweb.com

Flatness
Aplatissement
Max 3.0mm
Projection

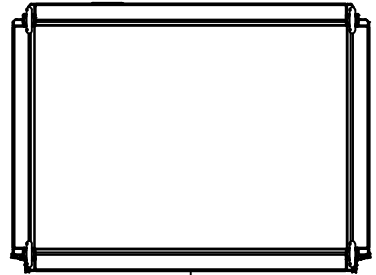
| | |
|--|-----------------|
| Customer Client | Date |
| Drawn By / Dessiné Par: BoxCad: BoxCad | Date: 04-Mar-15 |
| Material / Matière | See Part List |

| Qty | Part Number | Rev | Description |
|------------|------------------|-----|--|
| 1 | 6500MXU160806BIP | 0 | 6500 MXM 1600mm x 800mm Back Inner Panel |
| 1 | 6500MXU160806F | 0 | 6500 MXDU 1600mm x 800mm Front |
| 1 | 6500MXU160806B | 0 | 6500 MXR 1600mm x 800mm Back |
| 1 | 6500MXU160806BT | 0 | 6500 MXB 800mm x 600mm Bottom |
| 1 | 6500MXU160806T | 0 | 6500 MXT 800mm x 600mm Top |
| 1 | 6500MXU160806FR | 0 | 6500 MX 1600mm x 800mm x 600mm Frame |
| Parts List | | | |

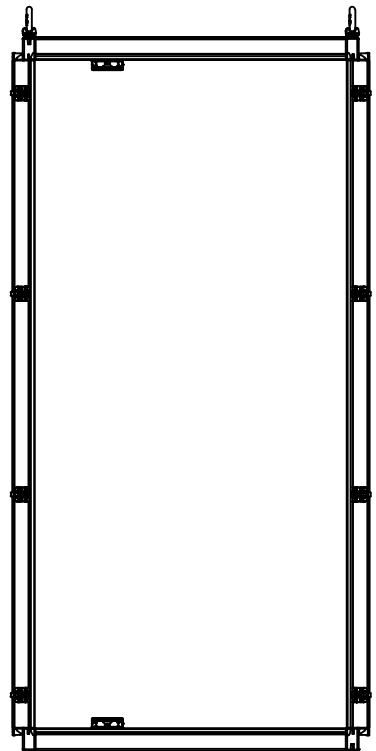
| | | | |
|----------------------------|--|---------------|---------------|
| Color / Couleur | See Part List | Finish / Fini | See Part List |
| Description | 6500MX 1600mm x 800mm x 600mm Assembly | | Detail Rev. |
| Part Number / Numéro Pièce | 6500MXU160806 | | Rev. 0 |
| | | | 2 / 18 |

This drawing is confidential and must not be reproduced or used without the consent of EXM

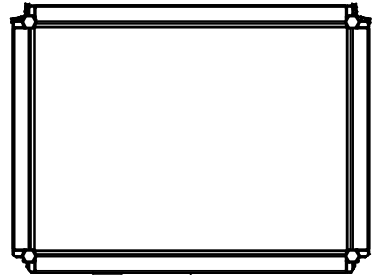
Ce dessin est confidentiel et ne doit pas être reproduit ou utilisé sans le consentement de EXM



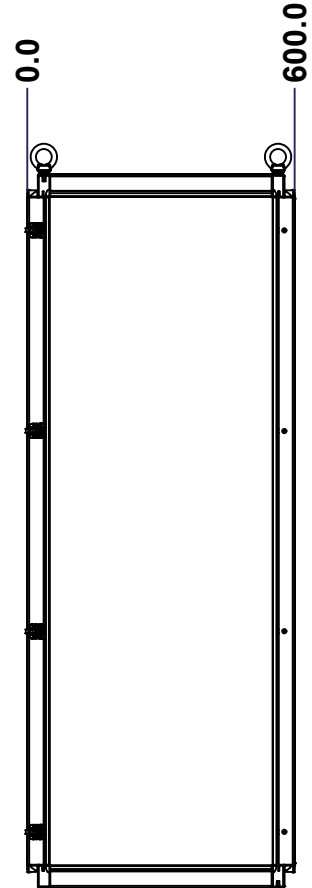
TOP



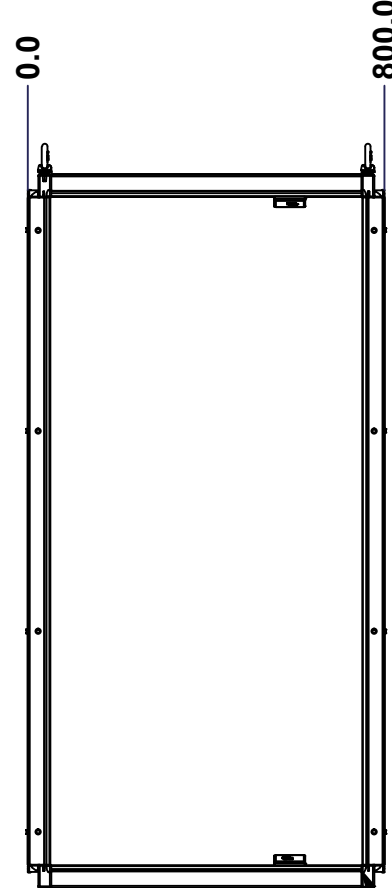
BACK



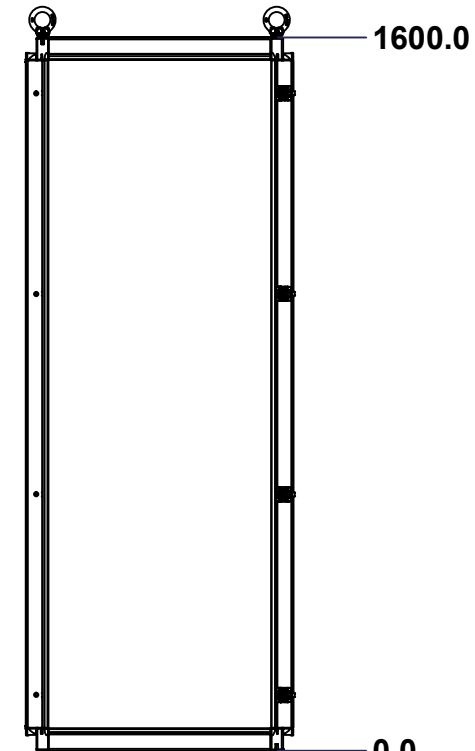
BOTTOM



LEFT



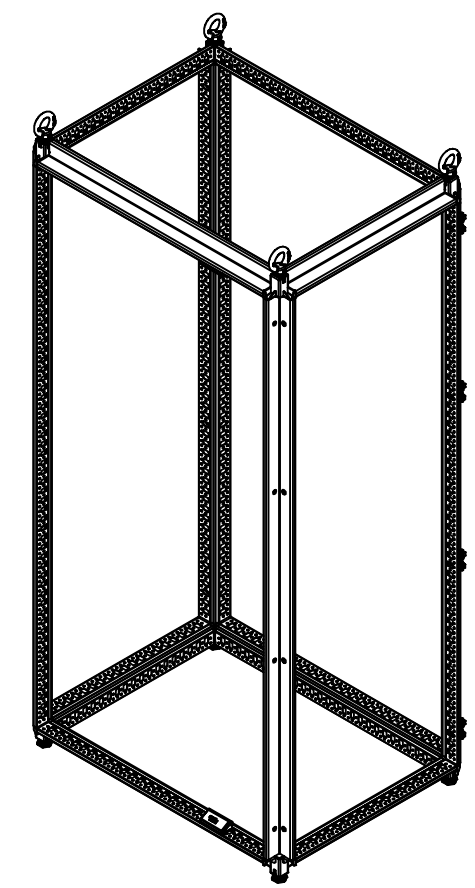
FRONT



RIGHT


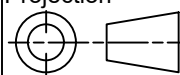
Grind excess weld off corner(s)

| No. | Revisions | Date | By/Par |
|-----|-----------|------|--------|
| | | | |
| | | | |
| | | | |
| | | | |



Isometric View



| | | |
|--|----------------------------------|---|
|  Tél: (450) 979-4373 Fax: (450) 979-4626 www.exmweb.com | | Flatness Aplatissement Max 3.0mm Projection  |
| Customer Client | Date | |
| Drawn By Dessiné Par | BoxCad: BoxCad | Date 04-Mar-15 |
| Material Matière | 16 Ga Electro-Galvanized (1.4mm) | |
| Color Couleur | Iron Grey RAL7011 | Finish Fini Textured |
| Description 6500 MX 1600mm x 800mm x 600mm Frame | | Detail Rev. |
| Part Number Numéro Pièce | Rev. 0 | 3 / 18 |

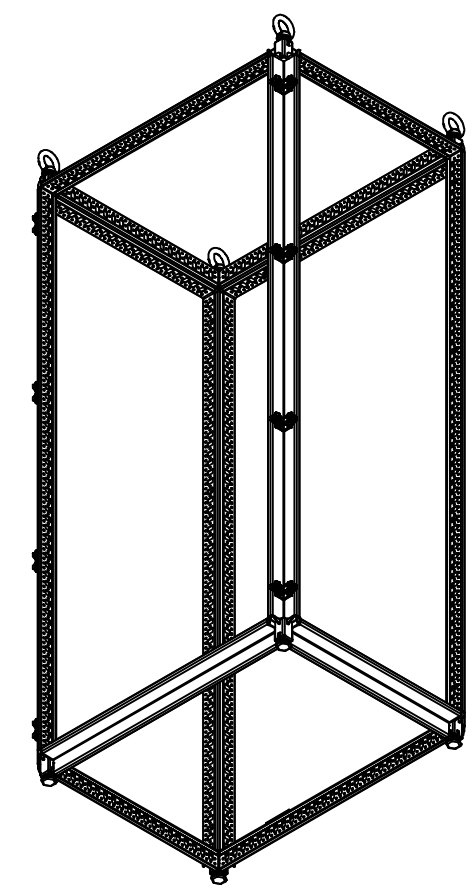
SEE BILL OF MATERIAL ON LAST PAGE

6500MXU160806FR

This drawing is confidential and must not be reproduced or used without the consent of EXM

Ce dessin est confidentiel et ne doit pas être reproduit ou utilisé sans le consentement de EXM


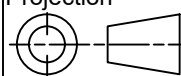
| No. | Revisions | Date | By/Par |
|-----|-----------|------|--------|
| | | | |
| | | | |
| | | | |
| | | | |
| | | | |



Isometric View



| | | | |
|------------|----------------|-----|---|
| 1 | STK-P-03810ST | 0 | Powder Paint (Iron Grey /Sand Textured) |
| 4 | STK-Q-47250-08 | 6 | 6500 MX 800mm Horizontal Frame Post Part |
| 4 | STK-Q-47250-06 | 6 | 6500 MX 600mm Horizontal Frame Post Part |
| 2 | STK-Q-05020 | 5 | M5 x 8mm Thread Rolling Screw |
| 2 | STK-A-74730 | 2 | 6500 MX - Flange Door Sealing Block |
| 16 | STK-Q-77120 | 1 | 6500MX-Frame Rubber Plug |
| 8 | STK-A-70580 | 9 | Mtrx Bracket |
| 8 | STK-Q-00610 | 3 | M16 x 30.0mm Bolt |
| 8 | STK-A-49448 | 6 | 6500 MX - Frame Sheet Metal Corner Assembly |
| 4 | STK-Q-49500 | 3 | M12 Eye Bolt (0.34T) |
| 4 | STK-Q-61110 | 0 | M12 Feet Leveler |
| 4 | STK-Q-47251-16 | 6 | 6500 MX 1600mm Vertical Frame Post Part |
| Qty | Part Number | Rev | Description |
| Parts List | | | |

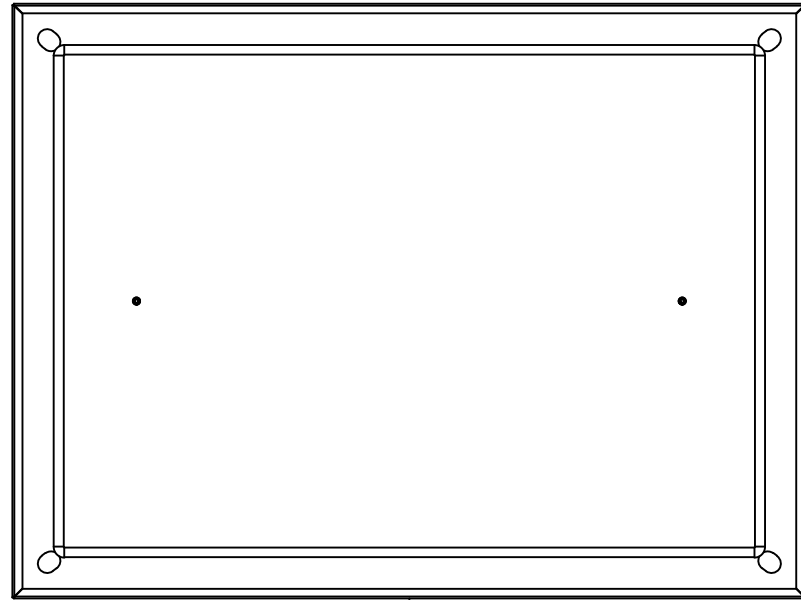
| | |
|--|---|
|  Tél: (450) 979-4373 Fax: (450) 979-4626 www.exmweb.com | Flatness Aplatissement Max 3.0mm |
| | Projection  |
| Customer Client | Date |
| Drawn By Dessiné Par BoxCad: BoxCad | Date 04-Mar-15 |
| Material Matière | 16 Ga Electro-Galvanized (1.4mm) |
| Color Couleur | Iron Grey RAL7011 |
| Finish Fini | Textured |
| Description | 6500 MX 1600mm x 800mm x 600mm Frame |
| Detail Rev. | |
| Part Number Numéro Pièce | Rev. 4 |
| 6500MXU160806FR | 0 |

This drawing is confidential and must not be reproduced or used without the consent of EXM

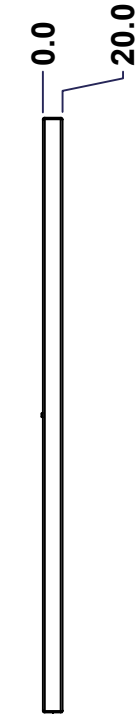
Ce dessin est confidentiel et ne doit pas être reproduit ou utilisé sans le consentement de EXM



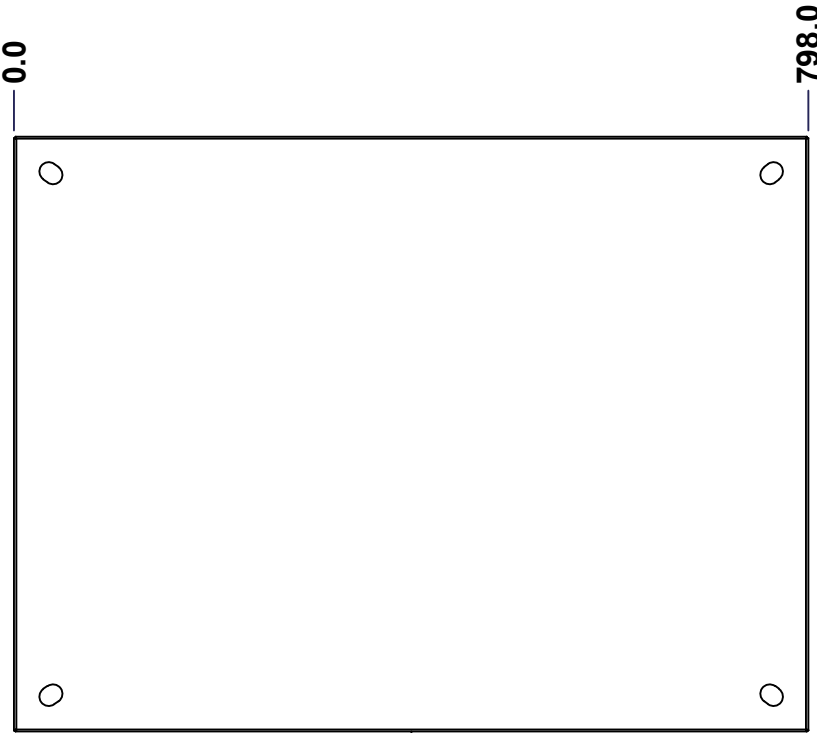
TOP



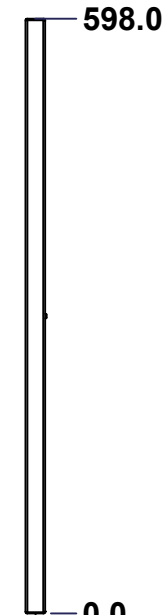
BACK



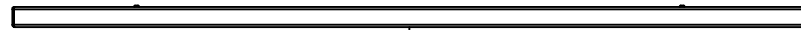
LEFT



FRONT

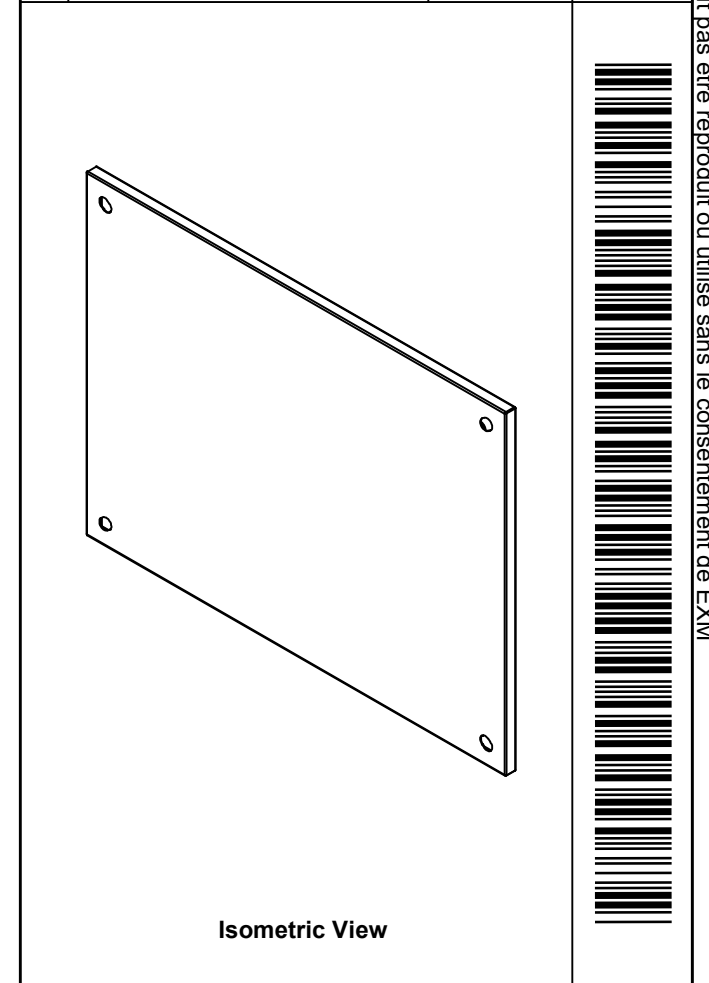



RIGHT



BOTTOM

| No. | Revisions | Date | By/Par |
|-----|-----------|------|--------|
| | | | |
| | | | |
| | | | |
| | | | |



| | | | |
|--|--|---------------------------|--|
|  Tél: (450) 979-4373 Fax: (450) 979-4626 www.exmweb.com | | Flatness Aplatissement | |
| | | Max 3.0mm | |
| Customer Client | | Date | |
| Drawn By Dessiné Par | | Date | |
| Material Matière | | Projection | |
| Color Couleur | | Finish Fini | |
| Description | | Detail Rev. | |
| Part Number Numéro Pièce | | Rev. | |

BoxCad: BoxCad Date 04-Mar-15

16 Ga Cold Rolled A1008 CS Type B

Iron Grey RAL7011 Textured

6500 MXT 800mm x 600mm Top

6500MXU160806T 0 5 18

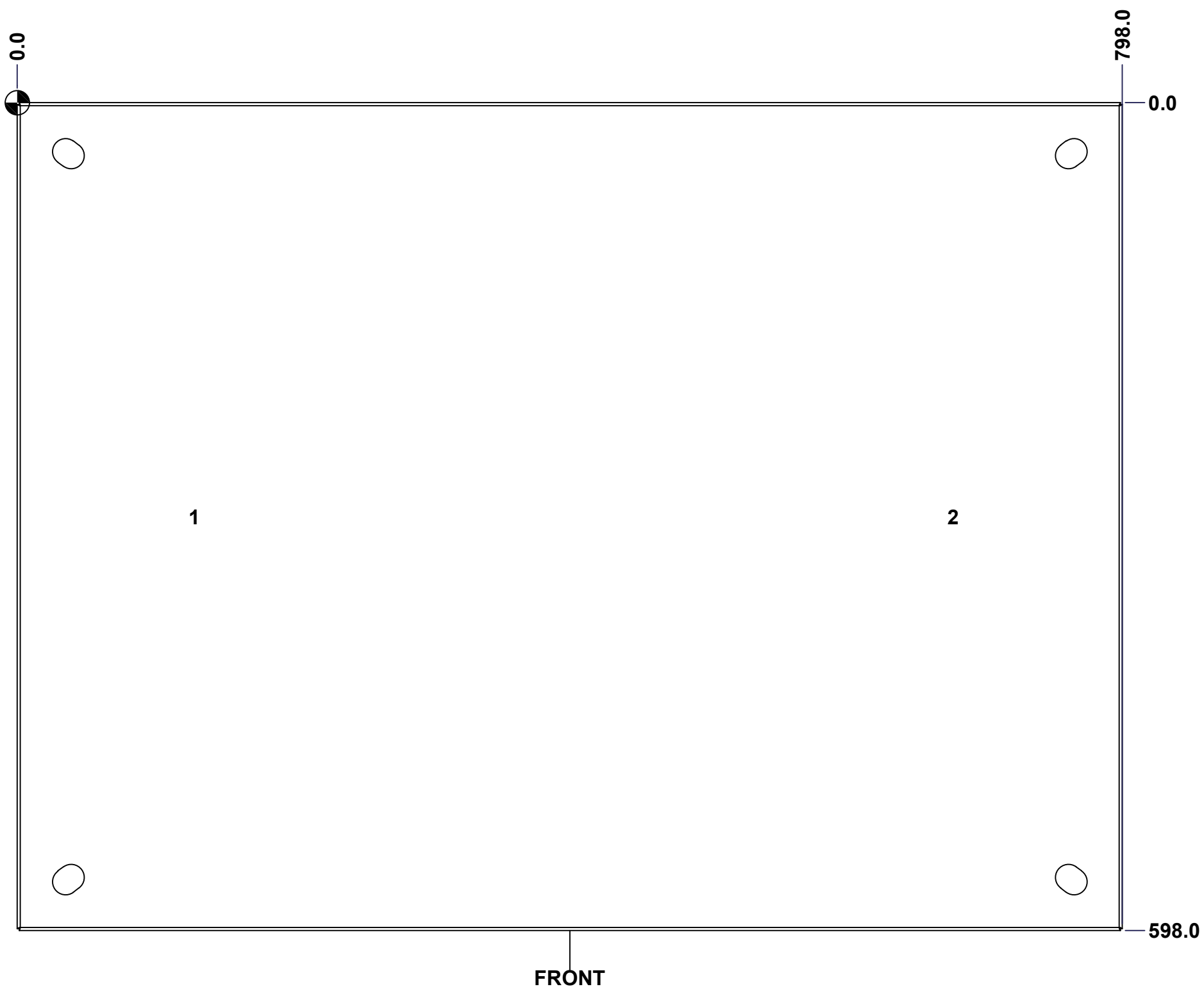
Use gasket program path 6500 MX > 6500 MXT

SEE BILL OF MATERIAL ON LAST PAGE

This drawing is confidential and must not be reproduced or used without the consent of EXM

Ce dessin est confidentiel et ne doit pas être reproduit ou utilisé sans le consentement de EXM

| STANDARD FEATURES ARE NOT LISTED IN THIS HOLE TABLE | | | |
|---|-------|-------|-----------------------------|
| HOLE TABLE - FRONT VIEW (CUSTOM FEATURE ONLY) | | | |
| CUT-OUT | XDIM | YDIM | DESCRIPTION |
| 1 | 125.0 | 299.0 | GND STUD M6 x 18mm (Inside) |
| 2 | 673.0 | 299.0 | GND STUD M6 x 18mm (Inside) |



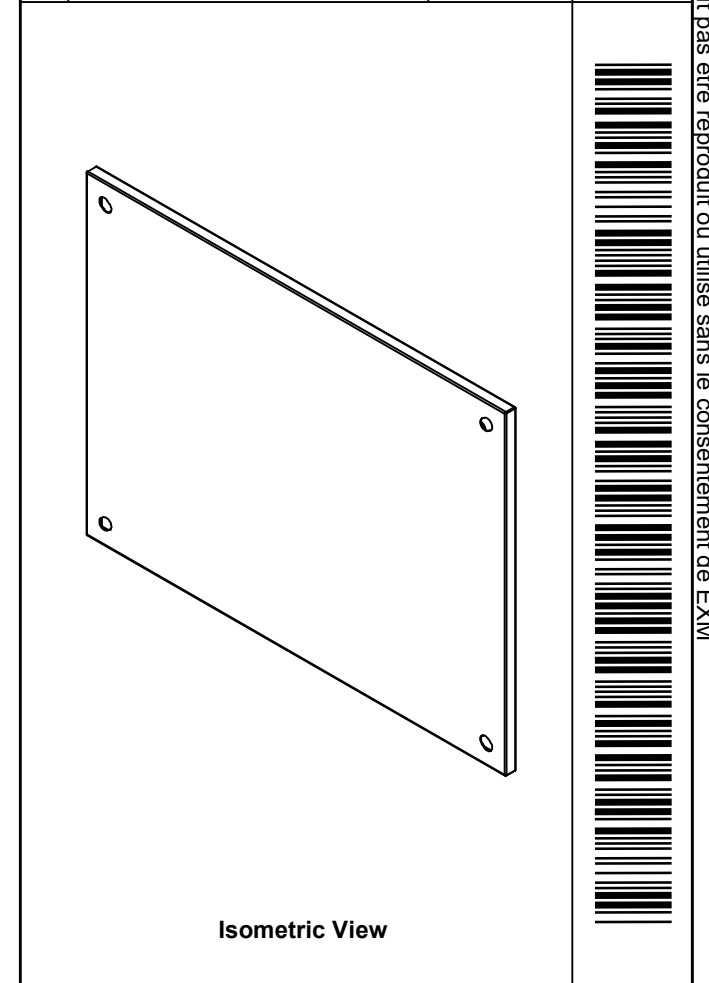
Use bending program path 6500 MX > 6500 MXT


| | | |
|--|-----------------------------|--------------|
| | Description | Status |
| | 6500 MXT 800mm x 600mm Top | (NULL) |
| | Part Number Numéro Pièce | Rev. |
| | 6500MXU160806T | 0 / 6 |
| | | 18 |

This drawing is confidential and must not be reproduced or used without the consent of EXM

Ce dessin est confidentiel et ne doit pas être reproduit ou utilisé sans le consentement de EXM

| No. | Revisions | Date | By/Par |
|-----|-----------|------|--------|
| | | | |
| | | | |
| | | | |
| | | | |
| | | | |

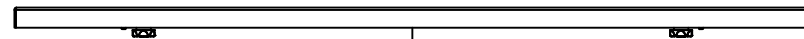


| | | |
|--|-------------------------|--|
|  Tél: (450) 979-4373 Fax: (450) 979-4626 www.exmweb.com | | Flatness Aplatissement Max 3.0mm |
| Customer Client | | Date |
| Drawn By / Dessiné Par: BoxCad: BoxCad | | Date: 04-Mar-15 |
| Material / Matière: 16 Ga Cold Rolled A1008 CS Type B | | |
| Color / Couleur: Iron Grey RAL7011 | Finish / Fini: Textured | |
| Description: 6500 MXT 800mm x 600mm Top | | Detail Rev. |
| Part Number / Numéro Pièce: 6500MXU160806T | | Rev. 7 0 |

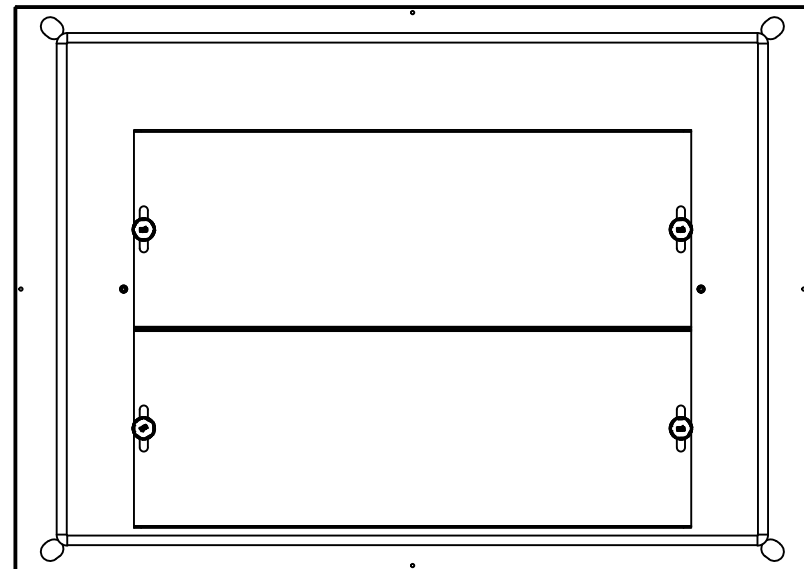
| Qty | Part Number | Rev | Description |
|------------|------------------|-----|---|
| 1 | STK-P-03810ST | 0 | Powder Paint (Iron Grey /Sand Textured) |
| 2 | STK-Q-16055 | 1 | M6 x 18mm Stud (No Paint Cap Required) |
| 1 | 6500MXU160806TG | 0 | 6500 MXT 800mm x 600mm Top Gasket |
| 1 | 6500MXU160806T-P | 0 | 6500 MXT 800mm x 600mm Top Part |
| Parts List | | | |

This drawing is confidential and must not be reproduced or used without the consent of EXM

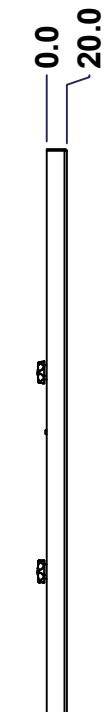
Ce dessin est confidentiel et ne doit pas être reproduit ou utilisé sans le consentement de EXM



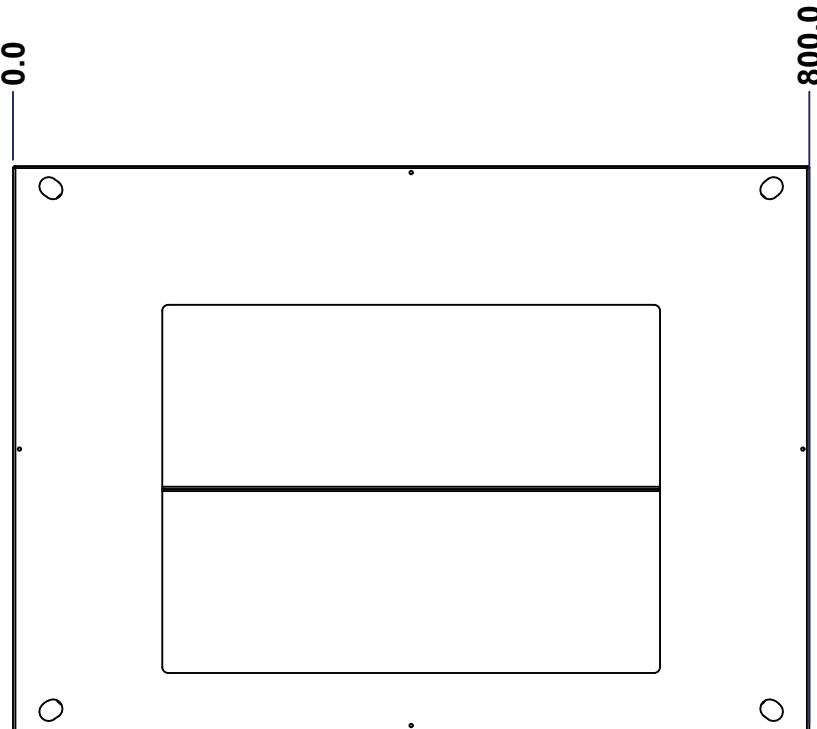
TOP



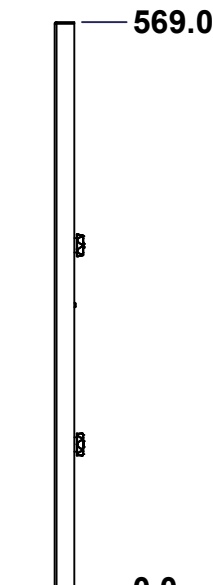
BACK



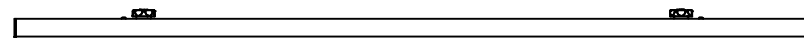
LEFT



FRONT

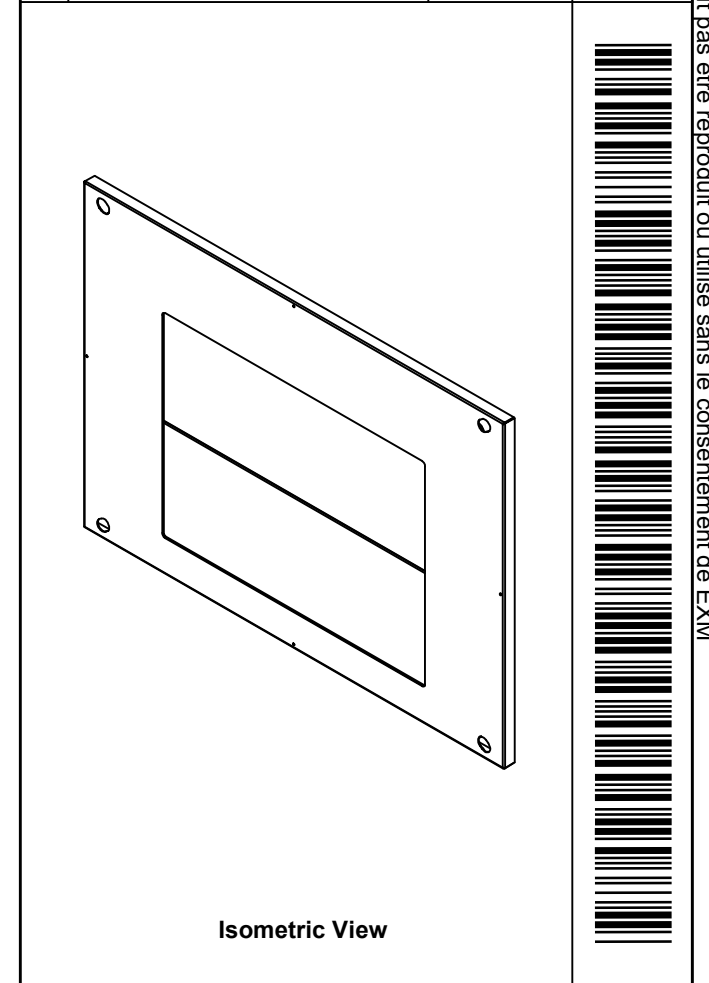



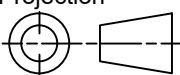
RIGHT



BOTTOM

| No. | Revisions | Date | By/Par |
|-----|-----------|------|--------|
| | | | |
| | | | |
| | | | |
| | | | |



| | | |
|--|-----------------------------------|---|
|  Tél: (450) 979-4373 Fax: (450) 979-4626 www.exmweb.com | | Flatness Aplatissement Max 3.0mm Projection  |
| Customer Client | Date | |
| Drawn By Dessiné Par | BoxCad: BoxCad | Date 04-Mar-15 |
| Material Matière | 16 Ga Cold Rolled A1008 CS Type B | |
| Color Couleur | Iron Grey RAL7011 | Finish Fini Textured |
| Description | Detail Rev. | |
| 6500 MXB 800mm x 600mm Bottom | | |
| Part Number Numéro Pièce | Rev. | 8 |
| 6500MXU160806BT | 0 | 18 |

Use gasket program path 6500 MX > 6500MXB

SEE BILL OF MATERIAL ON LAST PAGE

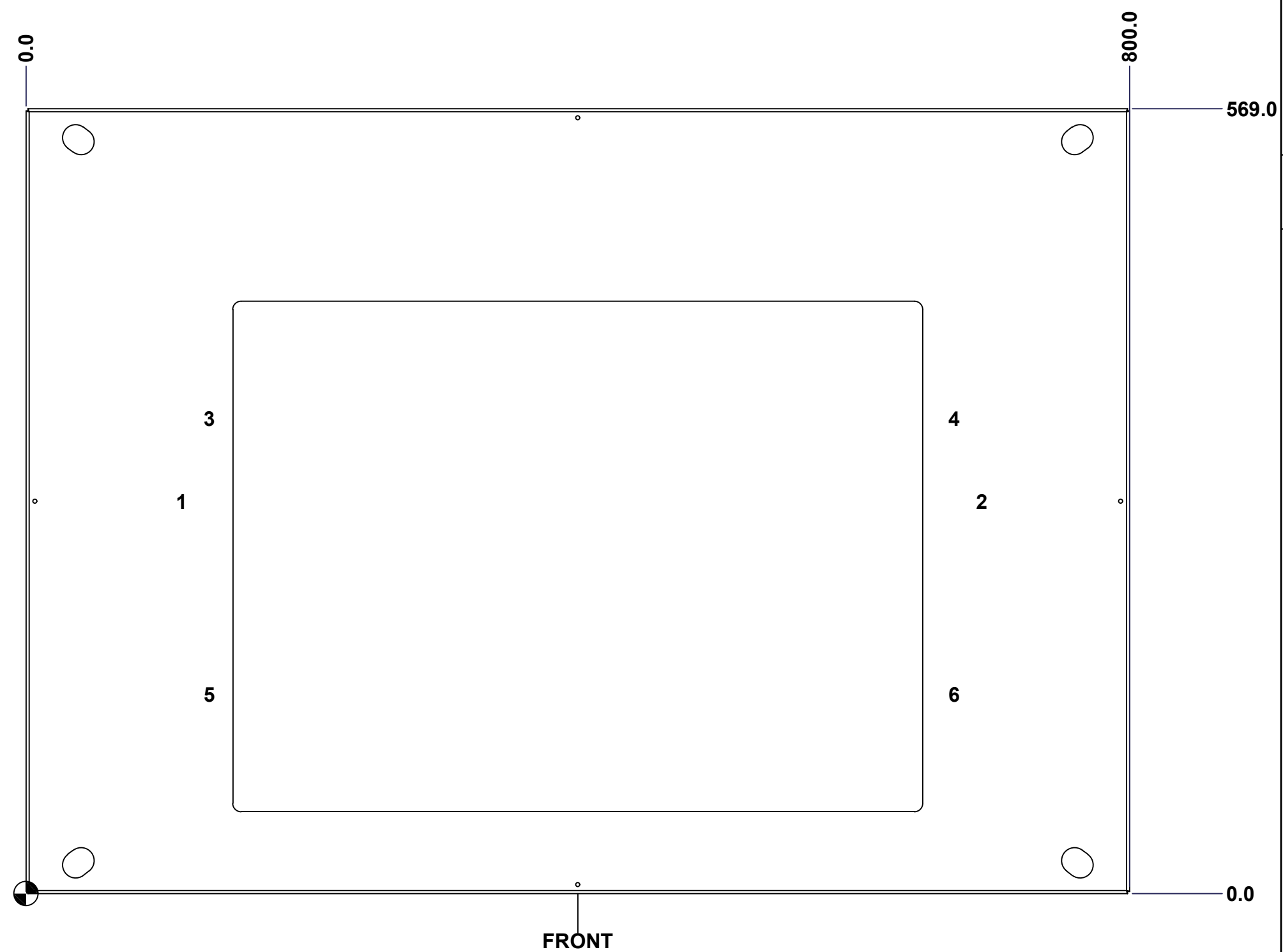
This drawing is confidential and must not be reproduced or used without the consent of EXM

Ce dessin est confidentiel et ne doit pas être reproduit ou utilisé sans le consentement de EXM

STANDARD FEATURES ARE NOT LISTED IN THIS HOLE TABLE

HOLE TABLE - FRONT VIEW (CUSTOM FEATURE ONLY)

| CUT-OUT | XDIM | YDIM | DESCRIPTION |
|---------|-------|-------|-----------------------------|
| 1 | 110.0 | 284.5 | GND STUD M6 x 18mm (Inside) |
| 2 | 690.0 | 284.5 | GND STUD M6 x 18mm (Inside) |
| 3 | 130.0 | 344.5 | GP STUD M6 x 18mm (Inside) |
| 4 | 670.0 | 344.5 | GP STUD M6 x 18mm (Inside) |
| 5 | 130.0 | 144.5 | GP STUD M6 x 18mm (Inside) |
| 6 | 670.0 | 144.5 | GP STUD M6 x 18mm (Inside) |



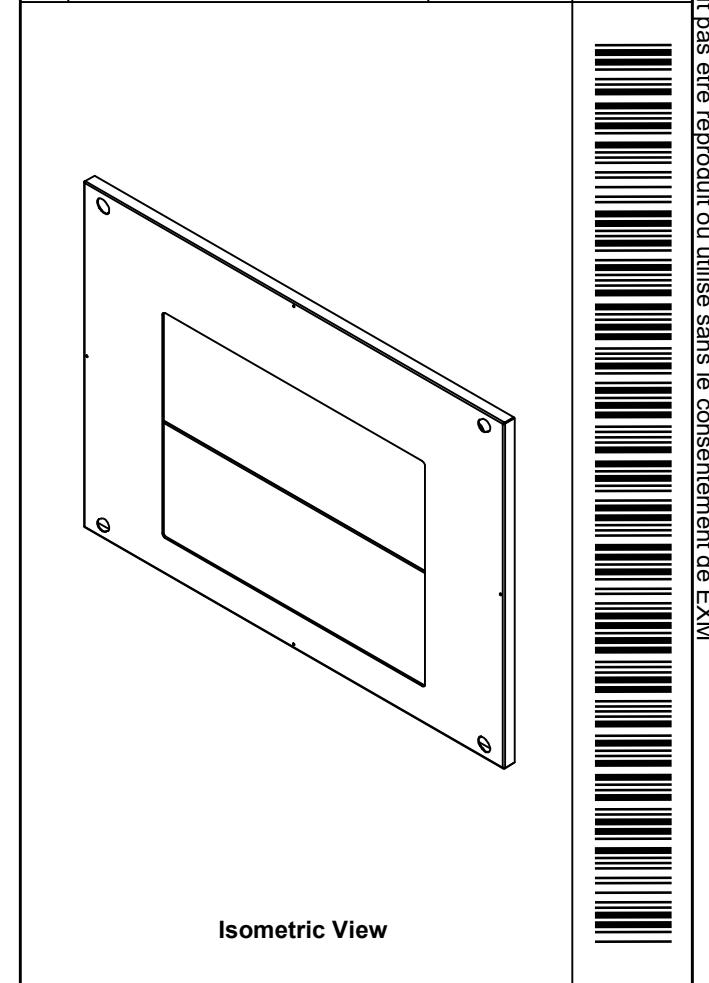
Use bending program path 6500 MX > 6500MXB


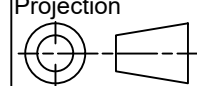
| | | |
|--|---|--------------------|
| | Description 6500 MXB 800mm x 600mm Bottom | Status (NULL) |
| | Part Number Numéro Pièce 6500MXU160806BT | Rev. 9 0 |

This drawing is confidential and must not be reproduced or used without the consent of EXM

Ce dessin est confidentiel et ne doit pas être reproduit ou utilisé sans le consentement de EXM

| No. | Revisions | Date | By/Par |
|-----|-----------|------|--------|
| | | | |
| | | | |
| | | | |
| | | | |
| | | | |

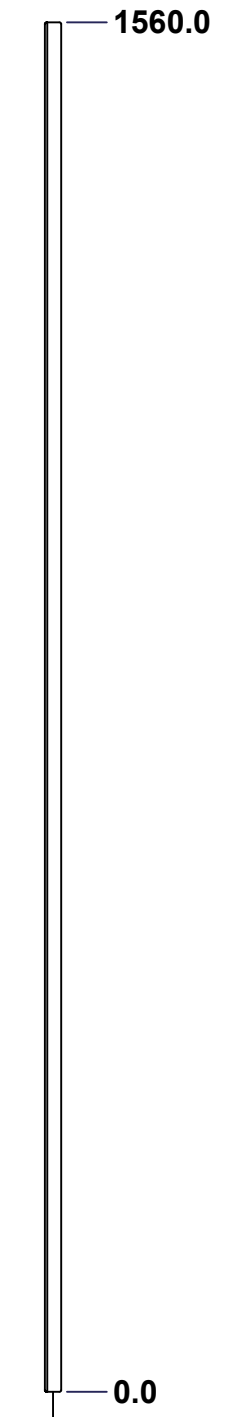
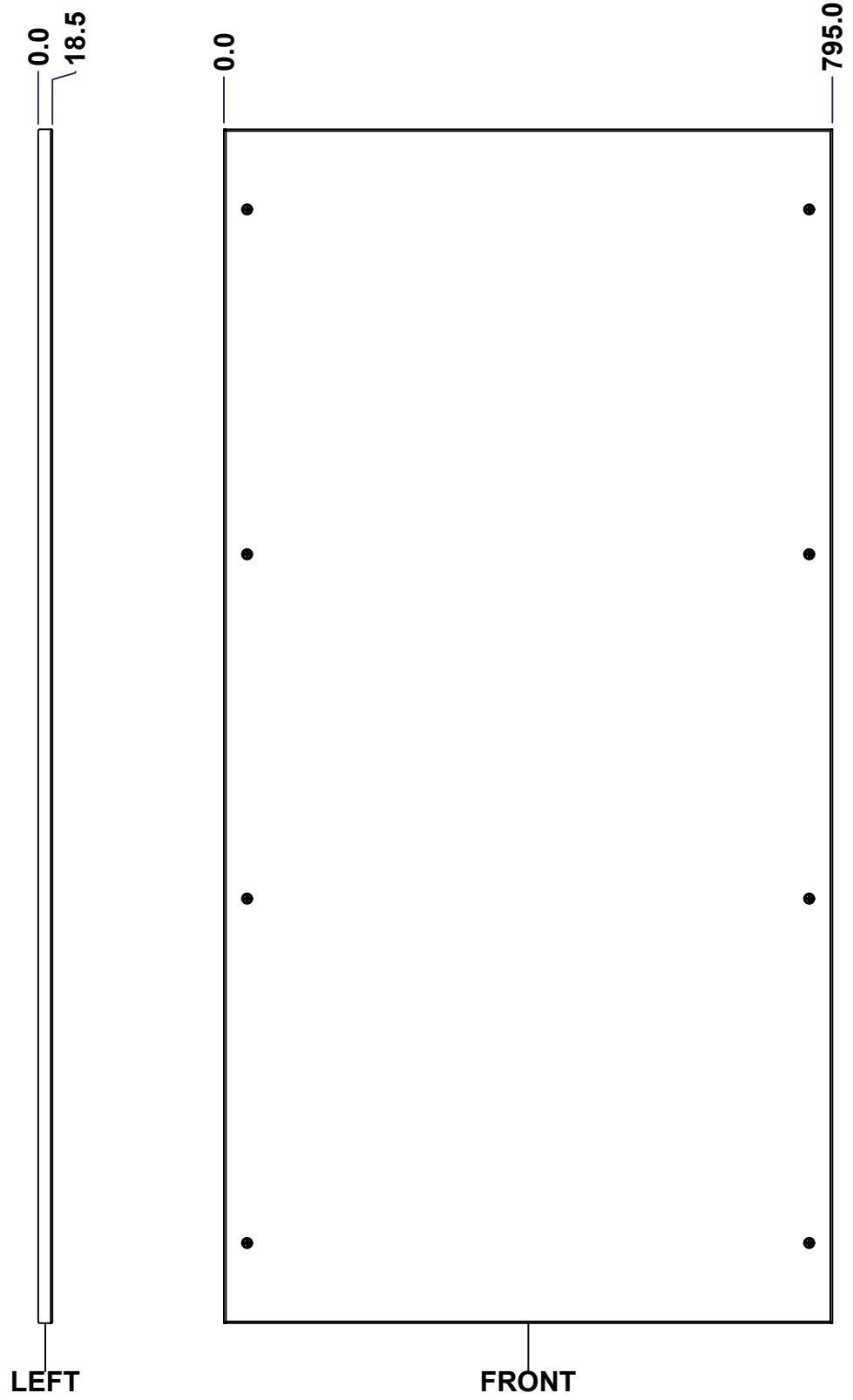
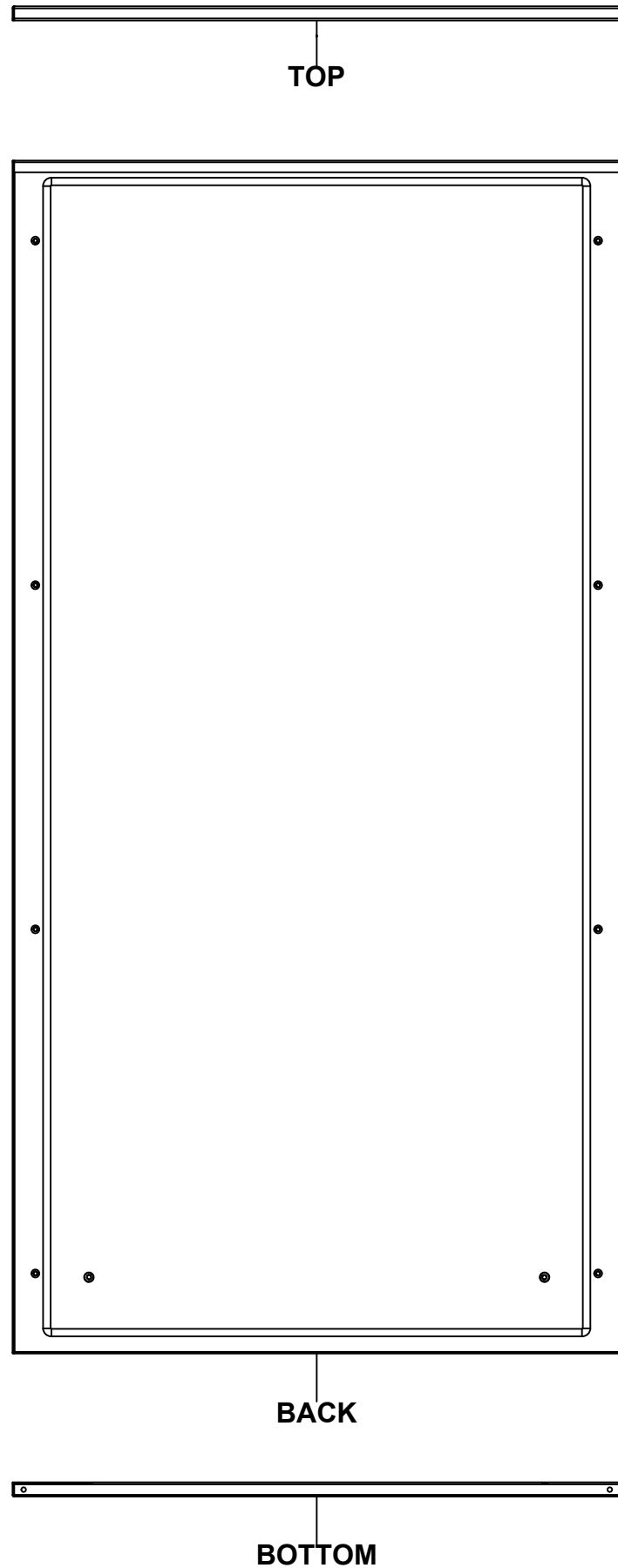


| | | |
|--|-----------------------------------|---|
|  Tél: (450) 979-4373 Fax: (450) 979-4626 www.exmweb.com | | Flatness Aplatissement Max 3.0mm Projection  |
| Customer Client | Date | |
| Drawn By Dessiné Par | BoxCad: BoxCad | Date 04-Mar-15 |
| Material Matière | 16 Ga Cold Rolled A1008 CS Type B | |
| Color Couleur | Iron Grey RAL7011 | Finish Fini Textured |
| Description | | Detail Rev. |
| 6500 MXB 800mm x 600mm Bottom | | |
| Part Number Numéro Pièce | Rev. | 10 |
| 6500MXU160806BT | 0 | 18 |

| Qty | Part Number | Rev | Description |
|------------|----------------------|-----|--|
| 1 | STK-P-03810ST | 0 | Powder Paint (Iron Grey /Sand Textured) |
| 4 | STK-Q-06001 | 0 | Mtrx - Gland Plate M6 Plastic Thumb Nut |
| 6 | STK-Q-16055 | 1 | M6 x 18mm Stud (No Paint Cap Required) |
| 2 | 6500MXU160806GP200-P | 0 | 6500 MXB 800mm Gland Plate Part (200mm) |
| 1 | 6500MXU160806BTGPG | 0 | 6500 MXB 800mm x 600mm Bottom Gland Plate Gasket |
| 1 | 6500MXU160806BTG | 0 | 6500 MXB 800mm x 600mm Bottom Gasket |
| 1 | 6500MXU160806BT-P | 0 | 6500 MXB 800mm x 600mm Bottom Part |
| Parts List | | | |

This drawing is confidential and must not be reproduced or used without the consent of EXM

Ce dessin est confidentiel et ne doit pas être reproduit ou utilisé sans le consentement de EXM



| No. | Revisions | Date | By/Par |
|-----|-----------|------|--------|
| | | | |
| | | | |
| | | | |
| | | | |
| | | | |

Isometric View

| | | | |
|--|--|--|-------------|
| | | Flatness Aplatissement Max 3.0mm | |
| Tél: (450) 979-4373 Fax: (450) 979-4626 www.exmweb.com | | Projection | |
| Customer Client | | Date | |
| Drawn By / Dessiné Par: BoxCad: BoxCad | | Date: 04-Mar-15 | |
| Material / Matière: 14 Ga Cold Rolled A1008 CS Type B | | | |
| Color / Couleur: Light Grey RAL7035 | | Finish / Fini: Textured | |
| Description: 6500 MXR 1600mm x 800mm Back | | | Detail Rev. |
| Part Number / Numéro Pièce: 6500MXU160806B | | Rev.: | 11 |
| | | 0 | 18 |

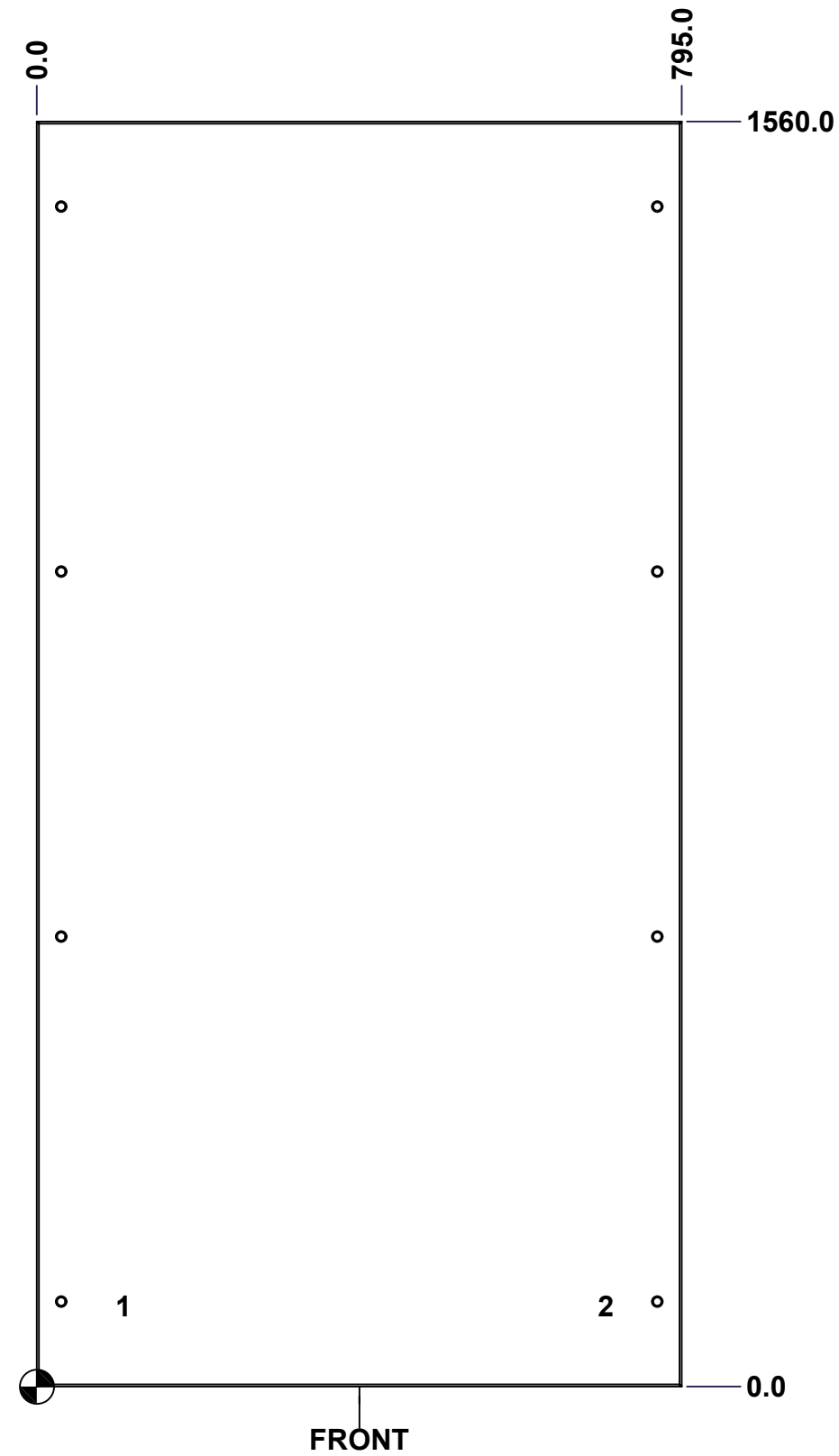
Use gasket program path 6500 MX > 6500 MXR

SEE BILL OF MATERIAL ON LAST PAGE

This drawing is confidential and must not be reproduced or used without the consent of EXM

Ce dessin est confidentiel et ne doit pas être reproduit ou utilisé sans le consentement de EXM

| STANDARD FEATURES ARE NOT LISTED IN THIS HOLE TABLE | | | |
|---|-------|-------|-----------------------------|
| HOLE TABLE - FRONT VIEW (CUSTOM FEATURE ONLY) | | | |
| CUT-OUT | XDIM | YDIM | DESCRIPTION |
| 1 | 100.0 | 100.0 | GND STUD M6 x 16mm (Inside) |
| 2 | 695.0 | 100.0 | GND STUD M6 x 16mm (Inside) |



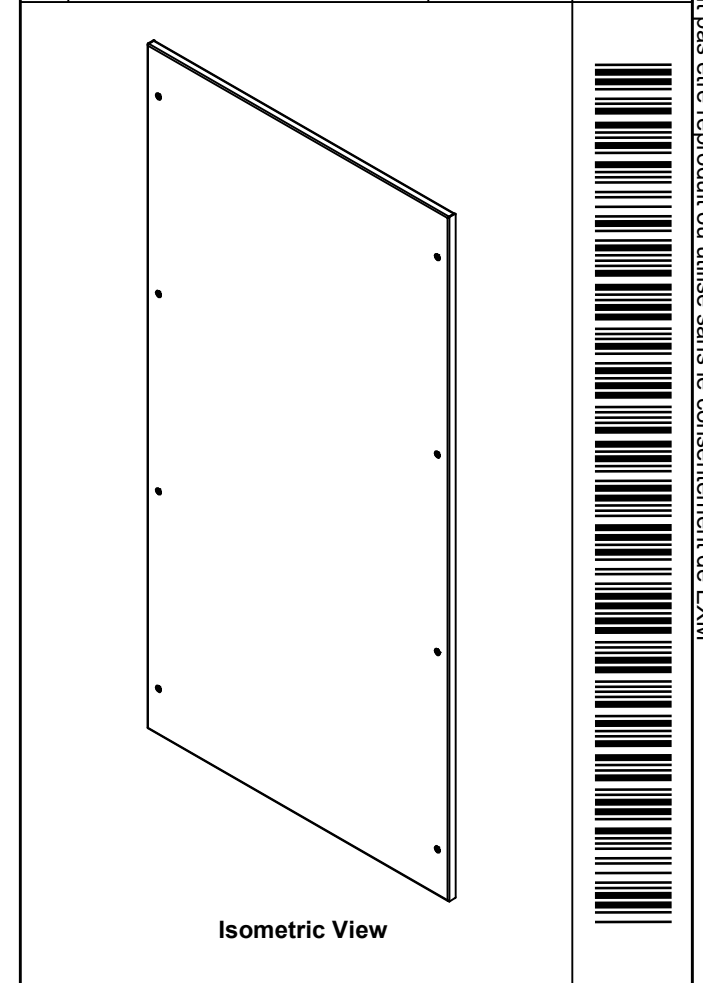
Use bending program path 6500 MX > 6500 MXR

| | | | |
|-----------------------------|------------------------------|----------|--------|
| | Description | | Status |
| | 6500 MXR 1600mm x 800mm Back | | (NULL) |
| Part Number Numéro Pièce | | Rev. | 12 |
| 6500MXU160806B | | 0 | 18 |

This drawing is confidential and must not be reproduced or used without the consent of EXM

Ce dessin est confidentiel et ne doit pas être reproduit ou utilisé sans le consentement de EXM

| No. | Revisions | Date | By/Par |
|-----|-----------|------|--------|
| | | | |
| | | | |
| | | | |
| | | | |
| | | | |



EXM
www.exmweb.com

Tél: (450) 979-4373
Fax: (450) 979-4626

Flatness
Aplatissement
Max 3.0mm

Projection

| | |
|---|-----------------|
| Customer Client | Date |
| Drawn By / Dessiné Par: BoxCad: BoxCad | Date: 04-Mar-15 |
| Material / Matière: 14 Ga Cold Rolled A1008 CS Type B | |

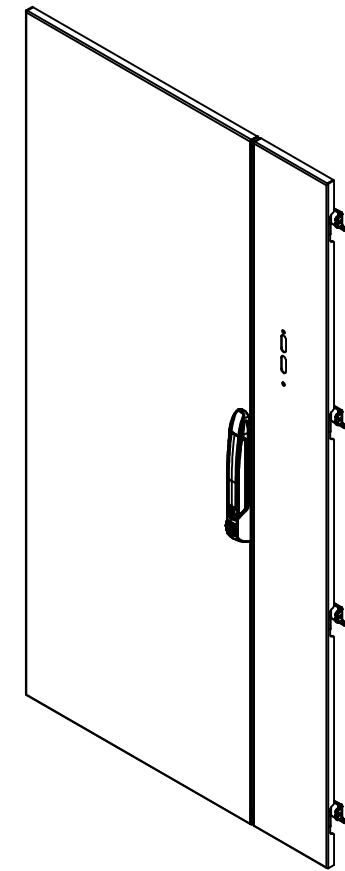
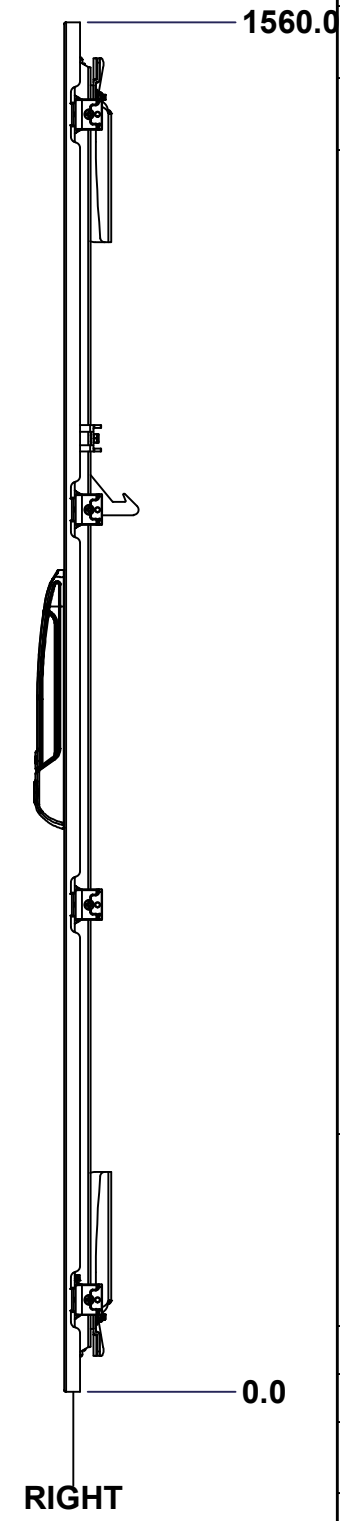
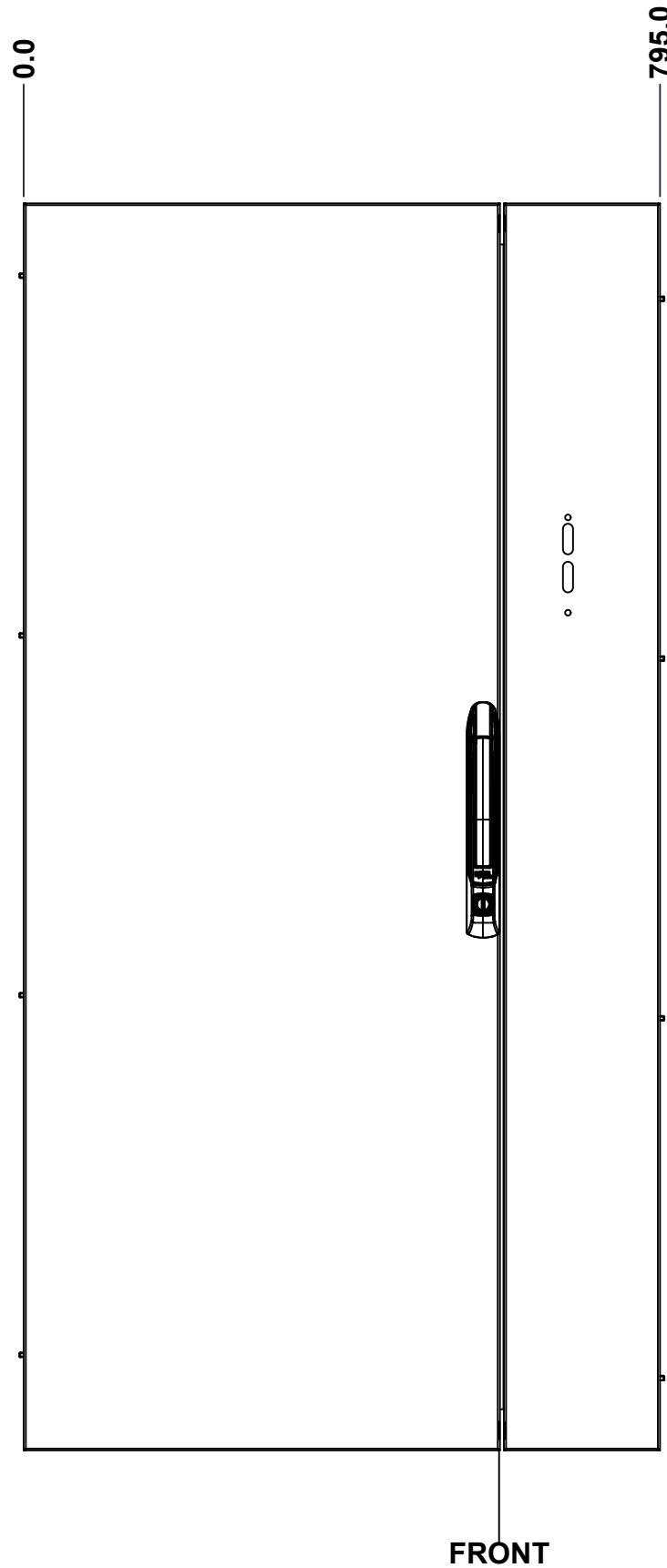
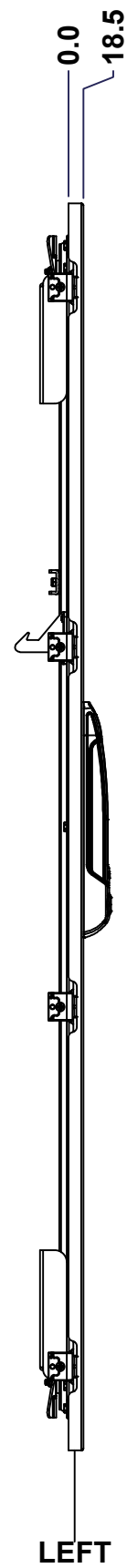
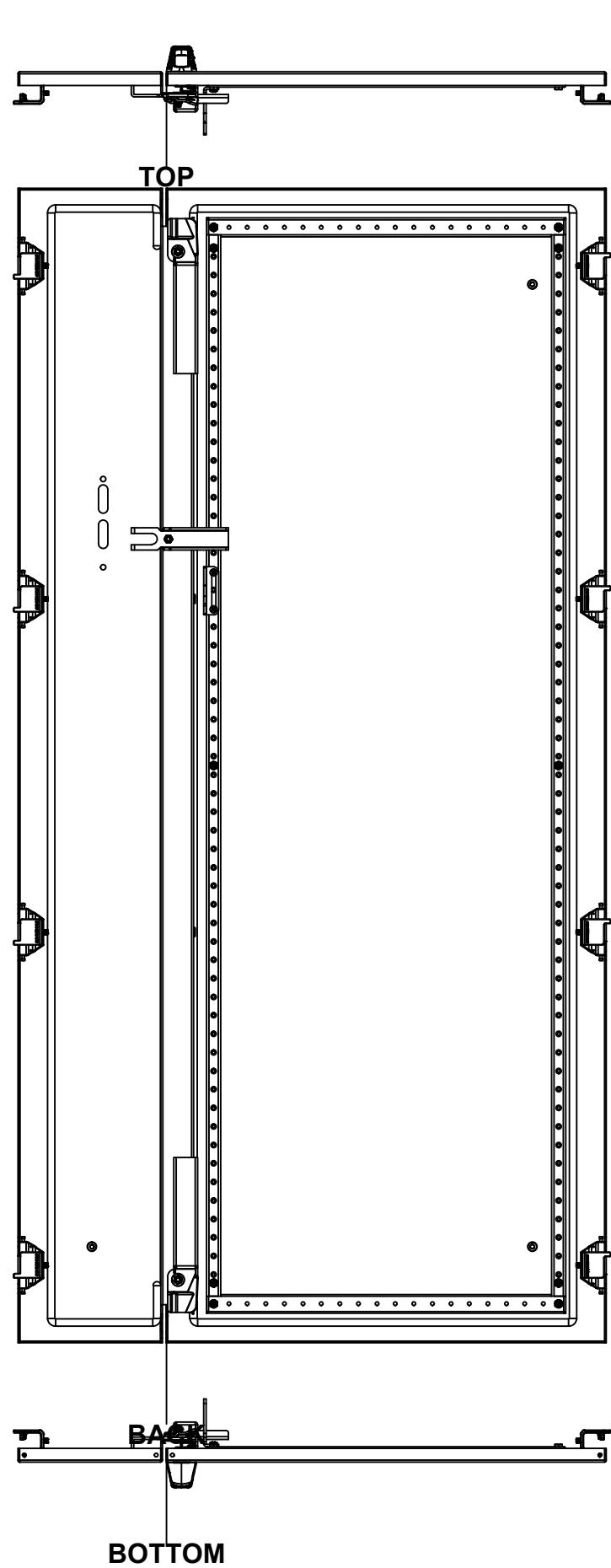
| | |
|---|-------------------------|
| Color / Couleur: Light Grey RAL7035 | Finish / Fini: Textured |
| Description: 6500 MXR 1600mm x 800mm Back | |

| Qty | Part Number | Rev | Description |
|------------|------------------|-----|--|
| 1 | STK-P-03820R | 0 | Powder Paint (Light Grey / Rough Textured) |
| 1 | 6500MXU160806BG | 0 | 6500 MXR 1600mm x 800mm Back Gasket |
| 8 | STK-Q-03071 | 0 | M6 x 16mm Machine Screw |
| 2 | STK-Q-16080 | 0 | Ground Stud M6 x 16mm Steel |
| 1 | 6500MXU160806B-P | 0 | 6500 MXR 1600mm x 800mm Back Part |
| Parts List | | | |

| | | |
|---|-------------------------|---------|
| Part Number / Numéro Pièce: 6500MXU160806B | Rev. / Révisé: 0 | 13 / 18 |
|---|-------------------------|---------|

This drawing is confidential and must not be reproduced or used without the consent of EXM


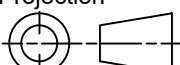
Ce dessin est confidentiel et ne doit pas être reproduit ou utilisé sans le consentement de EXM



Isometric View



| No. | Revisions | Date | By/Par |
|-----|-----------|------|--------|
| | | | |
| | | | |
| | | | |
| | | | |

| | | |
|--|-----------------------------------|---|
|  Tél: (450) 979-4373 Fax: (450) 979-4626 www.exmweb.com | | Flatness Aplatissement Max 3.0mm Projection  |
| Customer Client | Date | |
| Drawn By Dessiné Par | BoxCad: BoxCad | Date 04-Mar-15 |
| Material Matière | 14 Ga Cold Rolled A1008 CS Type B | |
| Color Couleur | Light Grey RAL7035 | Finish Fini Textured |
| Description | Detail Rev. | |
| 6500 MXDU 1600mm x 800mm Front | | |
| Part Number Numéro Pièce | Rev. | 14 |
| 6500MXU160806F | 0 | 18 |

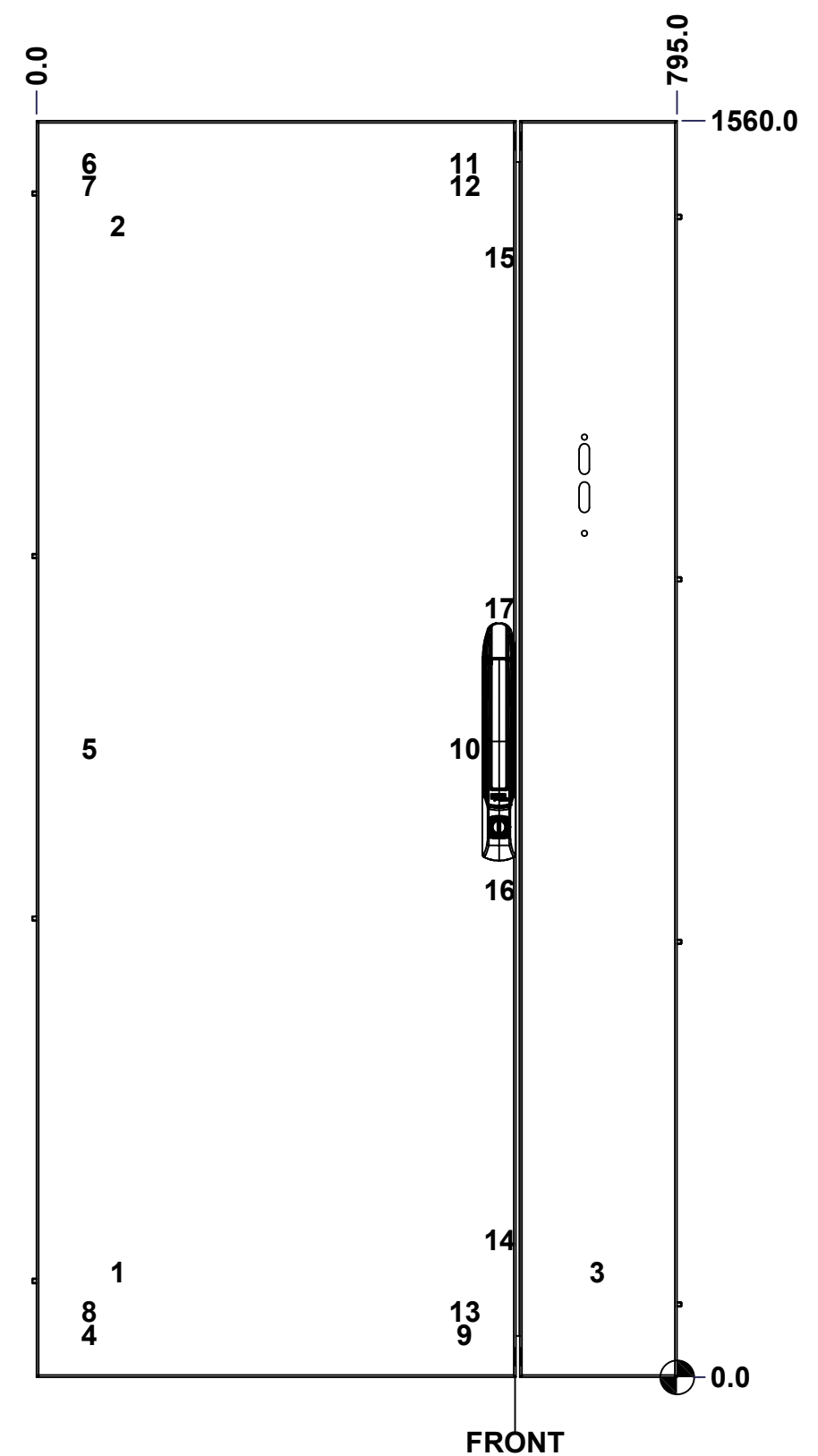
Use gasket program path 6500 MX > 6500 MXDU

SEE BILL OF MATERIAL ON LAST PAGE

This drawing is confidential and must not be reproduced or used without the consent of EXM

Ce dessin est confidentiel et ne doit pas être reproduit ou utilisé sans le consentement de EXM

| STANDARD FEATURES ARE NOT LISTED IN THIS HOLE TABLE | | | |
|---|-------|--------|--------------------------------|
| HOLE TABLE - FRONT VIEW (CUSTOM FEATURE ONLY) | | | |
| CUT-OUT | XDIM | YDIM | DESCRIPTION |
| 1 | 100.0 | 130.0 | GND STUD M6 x 16mm (Inside) |
| 2 | 100.0 | 1430.0 | GND STUD M6 x 16mm (Inside) |
| 3 | 695.0 | 130.0 | GND STUD M6 x 16mm (Inside) |
| 4 | 64.5 | 52.8 | STIFF. STUD M6 x 18mm (Inside) |
| 5 | 64.5 | 780.0 | STIFF. STUD M6 x 18mm (Inside) |
| 6 | 64.5 | 1507.2 | STIFF. STUD M6 x 18mm (Inside) |
| 7 | 64.5 | 1479.0 | STIFF. STUD M6 x 18mm (Inside) |
| 8 | 64.5 | 81.0 | STIFF. STUD M6 x 18mm (Inside) |
| 9 | 530.5 | 52.8 | STIFF. STUD M6 x 18mm (Inside) |
| 10 | 530.5 | 780.0 | STIFF. STUD M6 x 18mm (Inside) |
| 11 | 530.5 | 1507.2 | STIFF. STUD M6 x 18mm (Inside) |
| 12 | 530.5 | 1479.0 | STIFF. STUD M6 x 18mm (Inside) |
| 13 | 530.5 | 81.0 | STIFF. STUD M6 x 18mm (Inside) |
| 14 | 574.0 | 170.0 | LARGE CBAR GUIDE (Inside) |
| 15 | 574.0 | 1390.0 | LARGE CBAR GUIDE (Inside) |
| 16 | 574.0 | 605.0 | LARGE CBAR GUIDE (Inside) |
| 17 | 574.0 | 955.0 | LARGE CBAR GUIDE (Inside) |



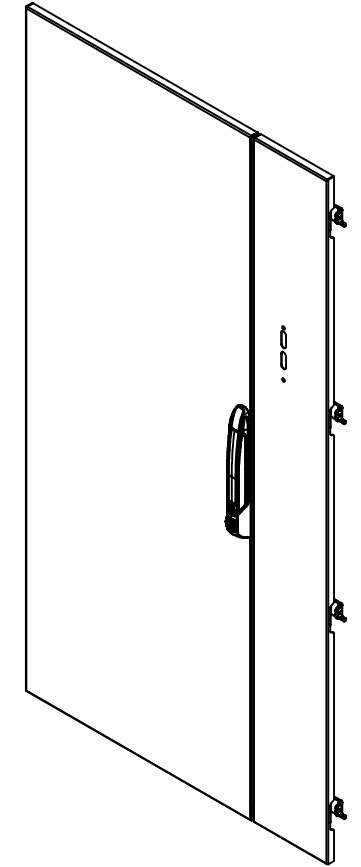
Use bending program path 6500 MX > 6500 MXDU

| | | |
|--|--------------------------------|---------------|
| | Description | Status |
| | 6500 MXDU 1600mm x 800mm Front | (NULL) |
| | Part Number Numéro Pièce | Rev. |
| | 6500MXU160806F | 0 / 15 |
| | | 18 |

This drawing is confidential and must not be reproduced or used without the consent of EXM

Ce dessin est confidentiel et ne doit pas être reproduit ou utilisé sans le consentement de EXM

| No. | Revisions | Date | By/Par |
|-----|-----------|------|--------|
| | | | |
| | | | |
| | | | |
| | | | |
| | | | |



Isometric View



| | | | |
|----|-------------------|-------|--|
| 1 | STK-P-03820R | 0 | Powder Paint (Light Grey / Rough Textured) |
| 1 | STK-A-51160 | 0 | 886PH2-SL - Pull Handle Lock - Assembly |
| 1 | STK-Q-45758 | 1 | 886 PH2 Pull Handle Bridge Part |
| 4 | STK-Q-16410 | 0 | Guide Stud - Large (No Paint Cap Required) |
| 4 | STK-A-70586 | 3 | Fixed Double Door Bracket Assembly |
| 1 | STK-Q-45652-16 | 1 | 6500 MX - Lower Closing Bar 1600mm |
| 1 | STK-Q-45651-16 | 1 | 6500 MX - Upper Closing Bar 1600mm |
| 1 | STK-Q-46650 | 3 | 6500 MXDU Disconnect Hook |
| 8 | STK-K-06810 | 7 | 6500 MX Hinge Assy |
| 2 | STK-Q-05020 | 5 | M5 x 8mm Thread Rolling Screw |
| 1 | STK-Q-07220 | 0 | M6 Nylon Insert Lock Nut |
| 1 | STK-Q-46750 | 4 | 6500 MXDU Disconnect Defeater |
| 1 | STK-K-10102 | 3 | 6500MX - Lock Handle Kit for Flange Door - Right |
| 1 | STK-K-10101 | 3 | 6500MX - Lock Handle Kit for Flange Door - Left |
| 1 | STK-Q-16030 | 0 | Stud M6 x 10mm |
| 2 | STK-Q-16050 | 0 | Stud M6 x 18mm |
| 1 | 6500MXU160806F1G | 0 | 6500 MXDU 1600mm x 800mm Front Gasket |
| 1 | 6500MXU160806F1-P | 0 | 6500 MXDU 1600mm x 800mm Front Part |
| 10 | STK-Q-16055 | 1 | M6 x 18mm Stud (No Paint Cap Required) |
| 3 | STK-Q-16080 | 0.1.1 | Ground Stud M6 x 16mm Steel |
| 1 | 6500MXU160806DS1 | 5 | 6500 MX 1600mm x 800mm Door Stiffener |
| 1 | 6500MXU160806FG | 0 | 6500 MXDU 1600mm x 800mm Front Gasket |
| 1 | 6500MXU160806F-P | 0 | 6500 MXDU 1600mm x 800mm Front Part |

| Qty | Part Number | Rev. | Description |
|------------|-------------|------|-------------|
| Parts List | | | |

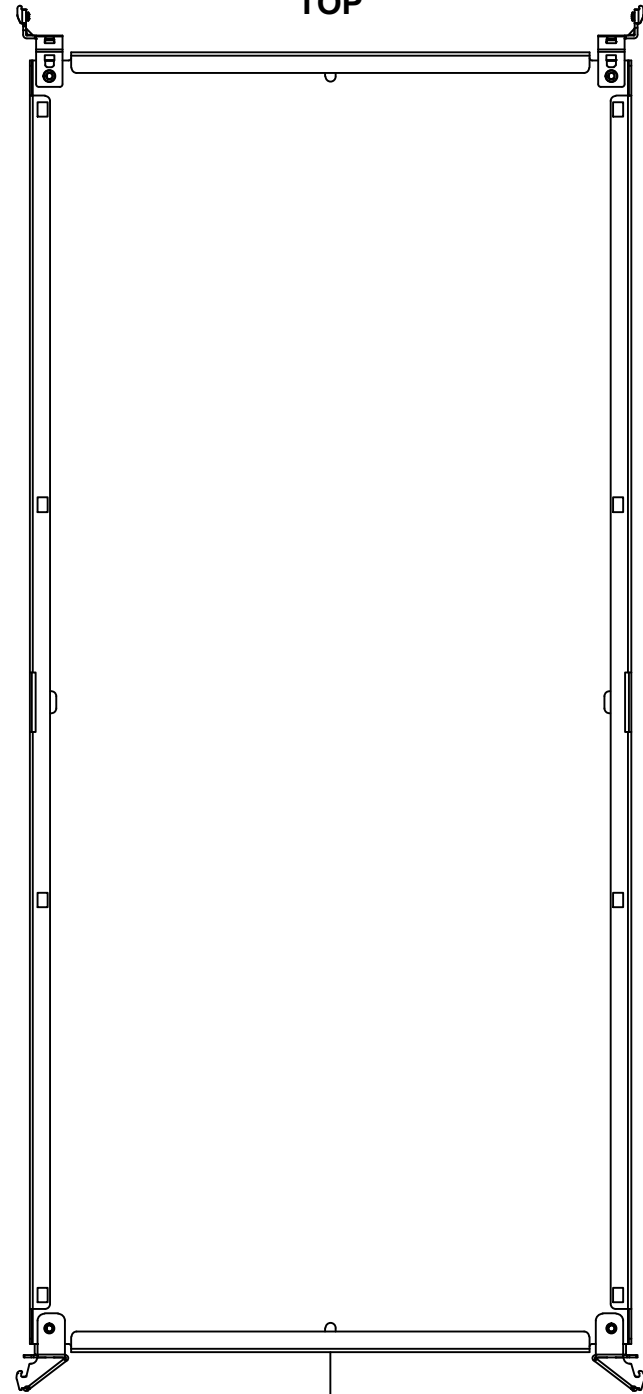
| | | | |
|-----------------------------|--|--|---------------------|
| | Tél: (450) 979-4373 Fax: (450) 979-4626 www.exmweb.com | Flatness Aplatissement Max 3.0mm | |
| | Projection | Customer Client | Date |
| Drawn By Dessiné Par | BoxCad: BoxCad | Date | 04-Mar-15 |
| Material Matière | 14 Ga Cold Rolled A1008 CS Type B | | |
| Color Couleur | Light Grey RAL7035 | Finish Fini | Textured |
| Description | 6500 MXDU 1600mm x 800mm Front | | Detail Rev. |
| Part Number Numéro Pièce | 6500MXU160806F | | Rev. 16 0 |

This drawing is confidential and must not be reproduced or used without the consent of EXM

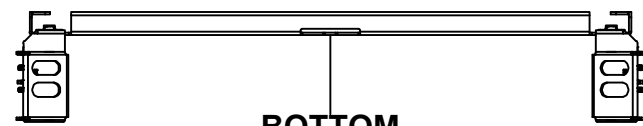
Ce dessin est confidentiel et ne doit pas être reproduit ou utilisé sans le consentement de EXM



TOP

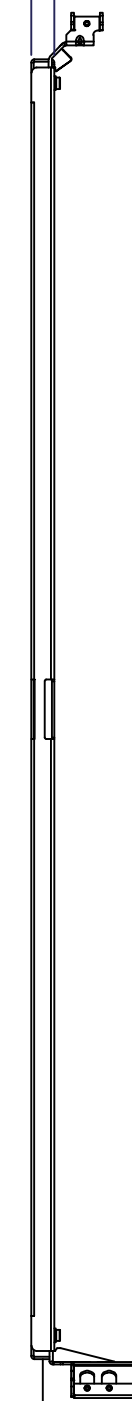


BACK



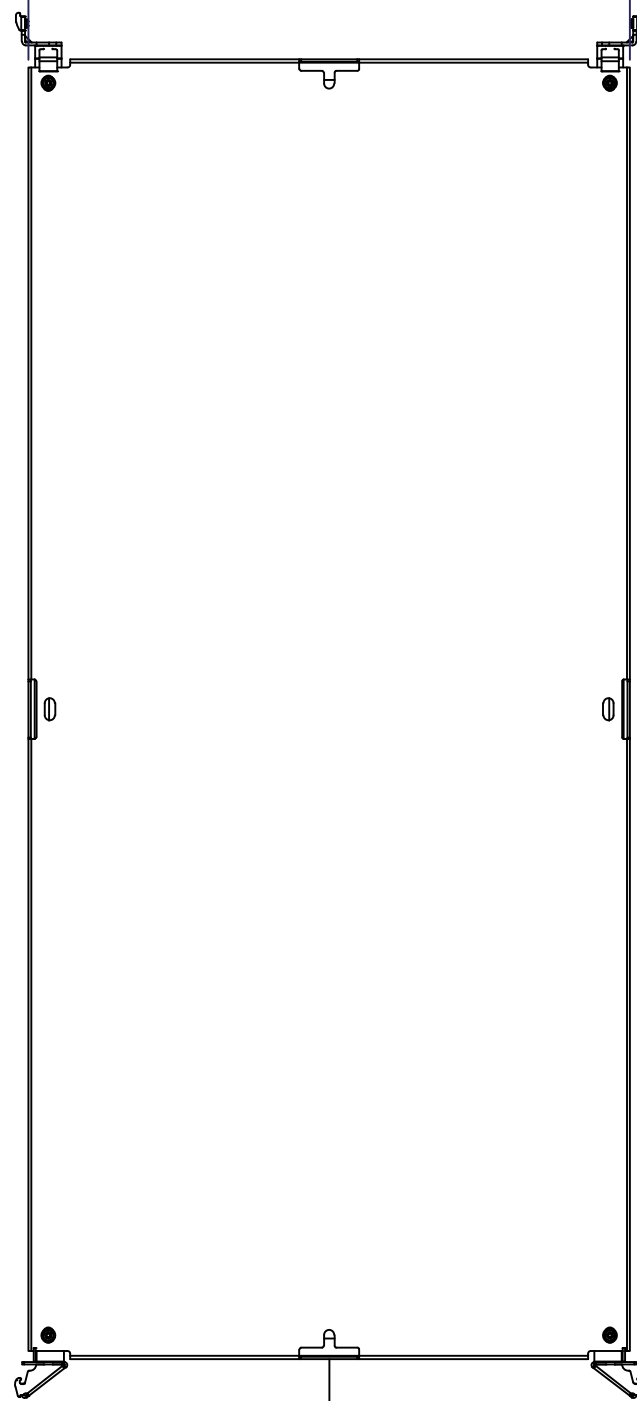
BOTTOM

0.0
26.0



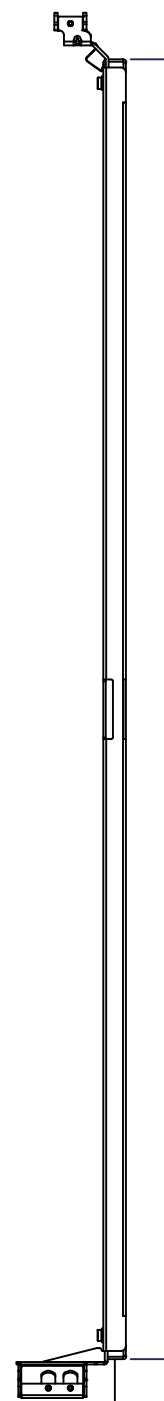
LEFT

0.0



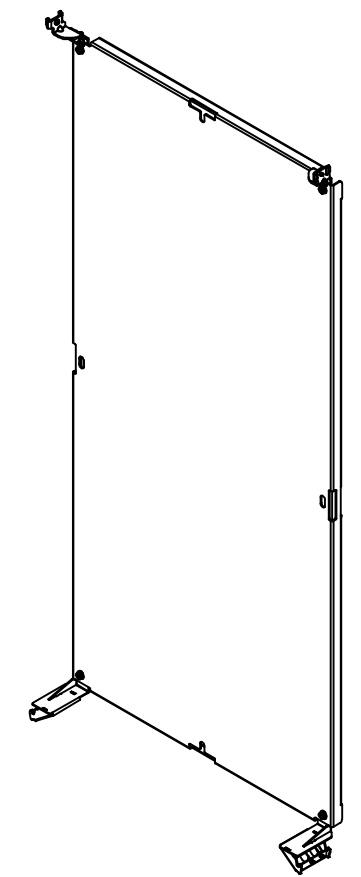
FRONT

1480.0



RIGHT

0.0



Isometric View



| No. | Revisions | Date | By/Par |
|-----|-----------|------|--------|
| | | | |
| | | | |
| | | | |
| | | | |

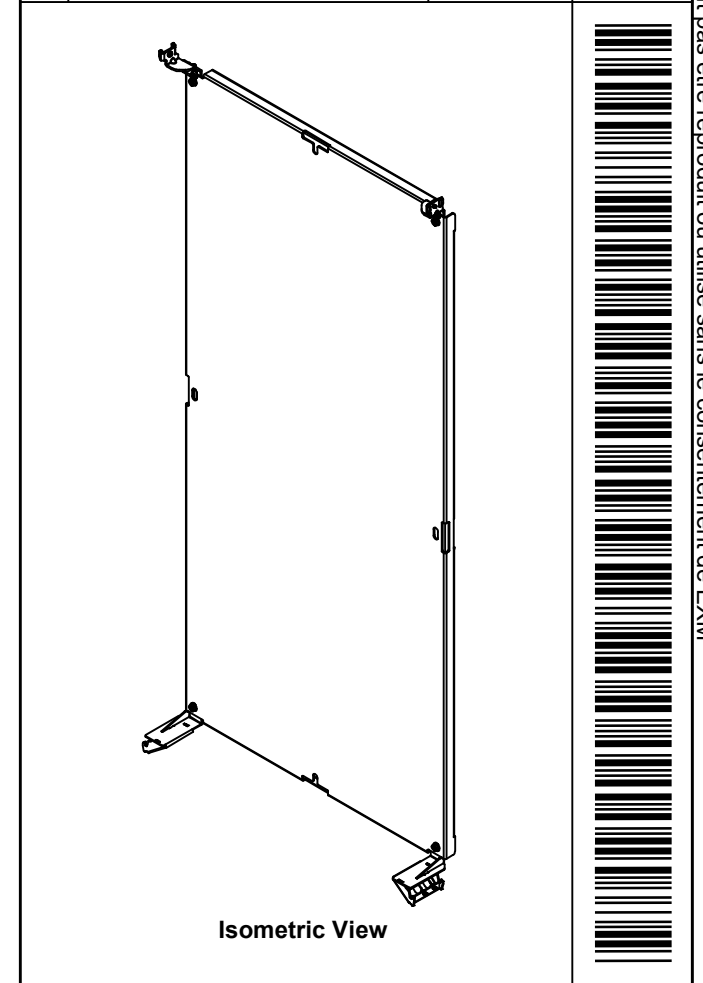
| | | |
|--|--|--------------------------|
| | Flatness Aplatissement Max 3.0mm | |
| | Projection | |
| Customer Client | Date | |
| Drawn By Dessiné Par | BoxCad: BoxCad | Date 04-Mar-15 |
| Material Matière | 12 Ga Galvanized (2.5mm) | |
| Color Couleur | Unpainted | Finish Fini Unpainted |
| Description | Detail Rev. | |
| 6500 MXM 1600mm x 800mm Back Inner Panel | | |
| Part Number Numéro Pièce | Rev. 0 | 17 18 |
| 6500MXU160806BIP | | |

SEE BILL OF MATERIAL ON LAST PAGE

This drawing is confidential and must not be reproduced or used without the consent of EXM

Ce dessin est confidentiel et ne doit pas être reproduit ou utilisé sans le consentement de EXM

| No. | Revisions | Date | By/Par |
|-----|-----------|------|--------|
| | | | |
| | | | |
| | | | |
| | | | |
| | | | |



| | | |
|--|--------------------------|--|
| Tél: (450) 979-4373 Fax: (450) 979-4626 www.exmweb.com | | Flatness Aplatissement Max 3.0mm Projection |
| Customer Client | Date | |
| Drawn By Dessiné Par | BoxCad: BoxCad | Date 04-Mar-15 |
| Material Matière | 12 Ga Galvanized (2.5mm) | |
| Color Couleur | Unpainted | Finish Fini Unpainted |
| Description 6500 MXM 1600mm x 800mm Back Inner Panel | | Detail Rev. |
| Part Number Numéro Pièce | Rev. 0 | 18 |

| Qty | Part Number | Rev | Description |
|------------|--------------------|-----|--|
| 1 | STK-A-49005 | 5 | 6500 MXM - Bottom Inner Panel Support Assembly (Right) |
| 1 | STK-A-49000 | 5 | 6500 MXM - Bottom Inner Panel Support Assembly (Left) |
| 1 | STK-A-49015 | 0 | 6500MXM - Top Inner Panel Support Kit (Right) |
| 1 | STK-A-49010 | 0 | 6500MXM - Top Inner Panel Support Kit (Left) |
| 1 | 6500MXU160806BIP-P | 0 | 6500 MXM 1600mm x 800mm Back Inner Panel Part |
| Parts List | | | |

6500MXU160806BIP