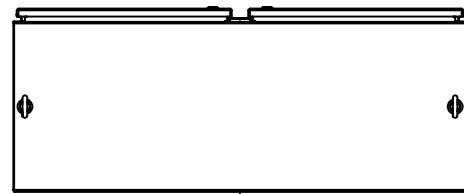


This drawing is confidential and must not be reproduced or used without the consent of EXM

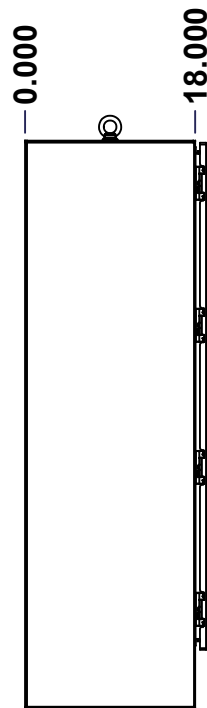
Ce dessin est confidentiel et ne doit pas être reproduit ou utilisé sans le consentement de EXM



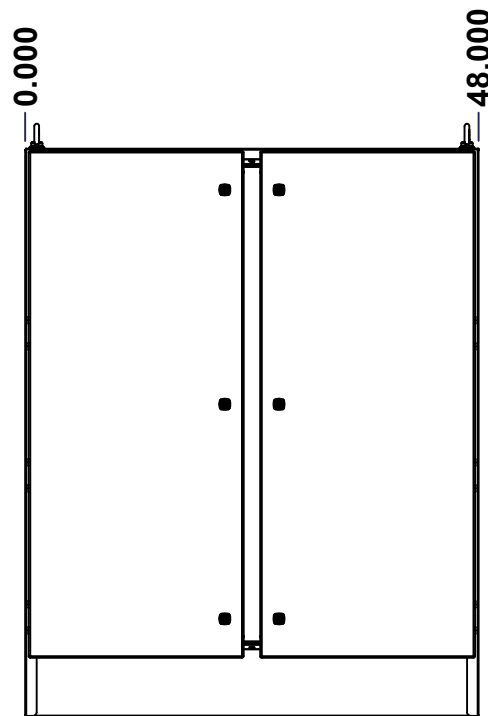
TOP



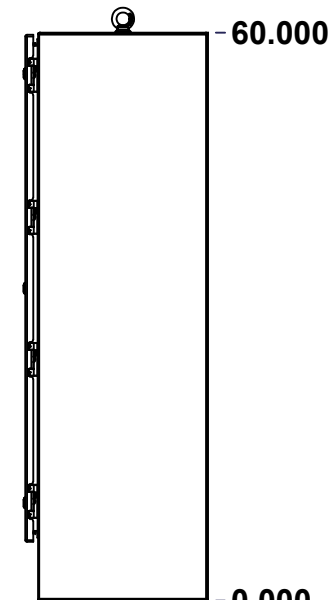
BACK



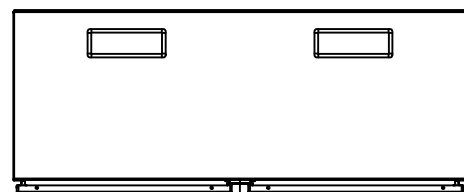
LEFT



FRONT

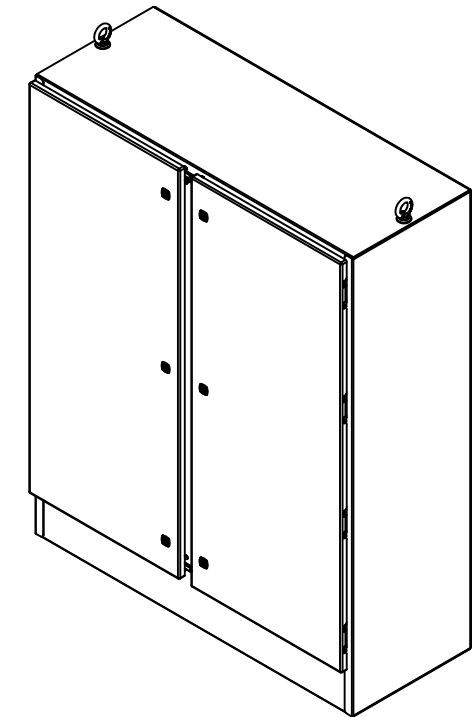


RIGHT



BOTTOM

No.	Revisions	Date	By/Par



Isometric View

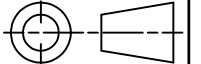


Tél: (450) 979-4373  
 Fax: (450) 979-4626  
[www.exmweb.com](http://www.exmweb.com)

Flatness  
Aplatissement

Max 3.0mm

Projection



Customer Client	Date
Drawn By Dessiné Par BoxCad: BoxCad	Date 26-Nov-21

Material  
Matière 12 Ga Cold Rolled A1008 CS Type B (2.5mm)

Color  
Couleur Asa-61 Grey

Finish  
Fini Smooth

Description  
9412DD 60" x 48" x 18" Assembly

Detail Rev.

Part Number Numéro Pièce	Rev.	1
<b>9412STDD604818</b>	<b>0</b>	2

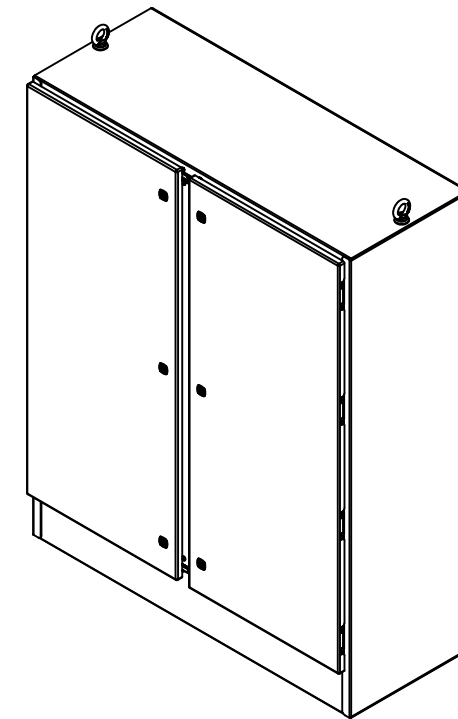
SEE BILL OF MATERIAL ON LAST PAGE

This drawing is confidential and must not be reproduced or used without the consent of EXM

Ce dessin est confidentiel et ne doit pas être reproduit ou utilisé sans le consentement de EXM

NOTE	
ITEM	DESCRIPTION
1	NEMA 4/12 Enclosure
2	C/W Standard ground studs on box and cover
3	W/O Standard door stiffener
4	W/O Inner panel
5	C/W Standard inner panel mounting studs
6	C/W Eyebolts
7	C/W Struts installed (Included)

No.	Revisions	Date	By/Par



Isometric View



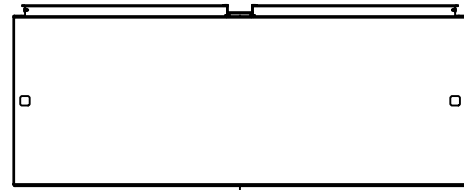
PACKING		
ITEM	QTY	DESCRIPTION
Cardboard sleeve	2	Top and Bottom
Cardboard strip	2	Between back of enclosure and inner panel
Plastic bag	1	To protect cover surface and inside gasket
Cardboard corner	4	To reinforced for the plastic strap tightening
Plastic strap - Black	2	To Squeeze 2 cardboard sleeve together
Packaging label	3	White label with PN
Plastic strap- Green	2	To secure the enclosure to the wood pallet
Wood Pallet	1	2" deeper and 3" larger than enclosure size

1	880INTI	2	880 INTI - Interlock Post Kit
1	880EB14	2	Eye Bolt M14 (Pack of 2)
1	9412STDD604818FD	0	9412DD 60" x 48" Master Door
1	9412STDD604818LD	0	9412DD 60" x 48" Slave Door
1	9412STDD604818B	0	9412DD 60" x 48" x 18" Body
2	9412STDD604818GP	0	9412DD Gland Plate
8	STK-Q-04050-10	8	M6 x 10mm Hexagon Socket Head Machine Screw with Nyseal
Qty	Part Number	Rev	Description
Parts List			

	Tél: (450) 979-4373 Fax: (450) 979-4626 <a href="http://www.exmweb.com">www.exmweb.com</a>	Flatness Aplatissement Max 3.0mm Projection 
	Customer Client	Date
Drawn By Dessiné Par	BoxCad: BoxCad	Date 26-Nov-21
Material Matière	12 Ga Cold Rolled A1008 CS Type B (2.5mm)	
Color Couleur	Asa-61 Grey	Finish Fini Smooth
Description 9412DD 60" x 48" x 18" Assembly	Detail Rev.	
Part Number Numéro Pièce <b>9412STDD604818</b>	Rev. 0	2 / 2

This drawing is confidential and must not be reproduced or used without the consent of EXM

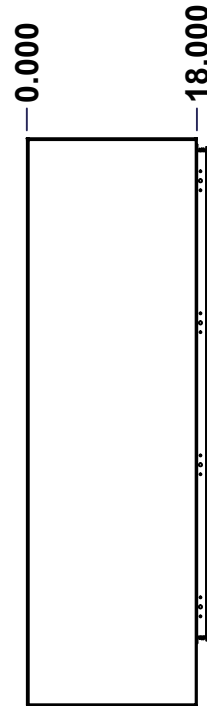
Ce dessin est confidentiel et ne doit pas être reproduit ou utilisé sans le consentement de EXM



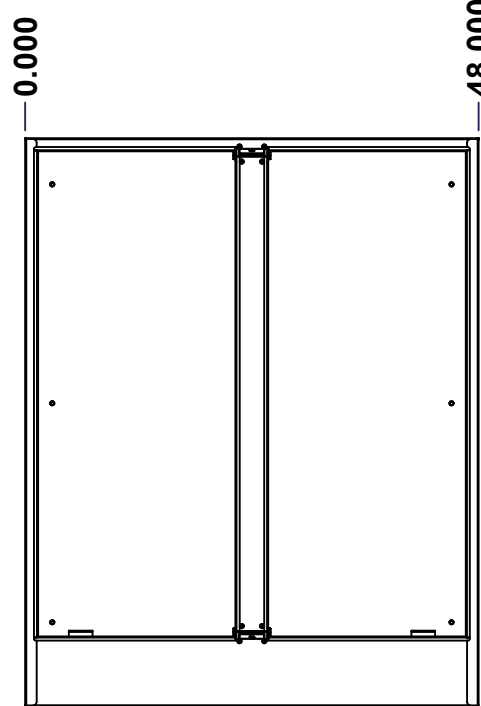
TOP



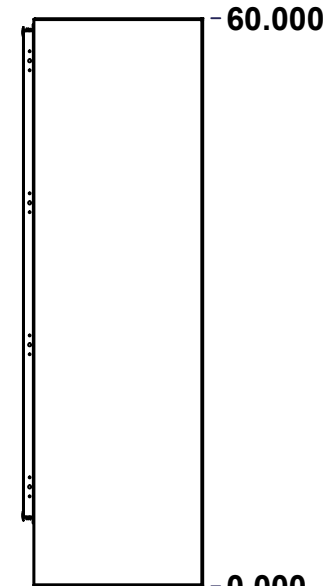
BACK



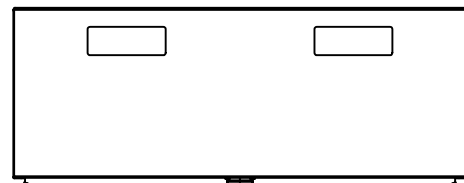
LEFT



FRONT

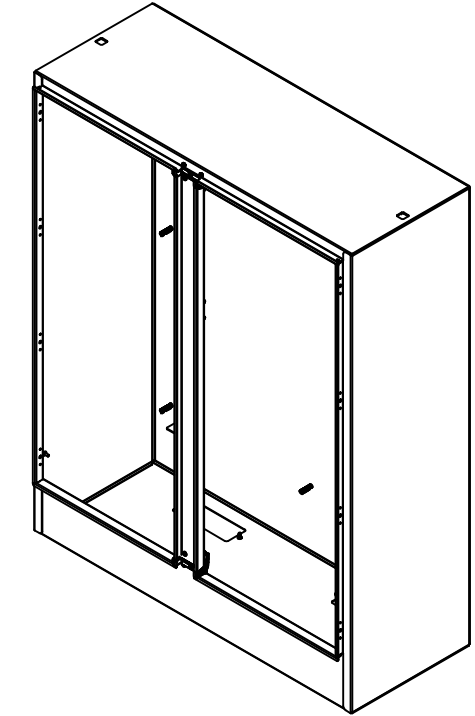


RIGHT



BOTTOM

No.	Revisions	Date	By/Par



Isometric View

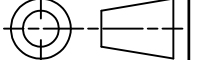


Tél: (450) 979-4373  
 Fax: (450) 979-4626  
[www.exmweb.com](http://www.exmweb.com)

Flatness  
Aplatissement

Max 3.0mm

Projection



Customer Client	Date
Drawn By / Dessiné Par: BoxCad: BoxCad	Date: 26-Nov-21
Material / Matière: 12 Ga Cold Rolled A1008 CS Type B (2.5mm)	
Color / Couleur: Asa-61 Grey	Finish / Fini: Smooth
Description: 9412DD 60" x 48" x 18" Body	Detail Rev.
Part Number / Numéro Pièce: 9412STDD604818B	Rev. 1
	2

SEE BILL OF MATERIAL ON LAST PAGE

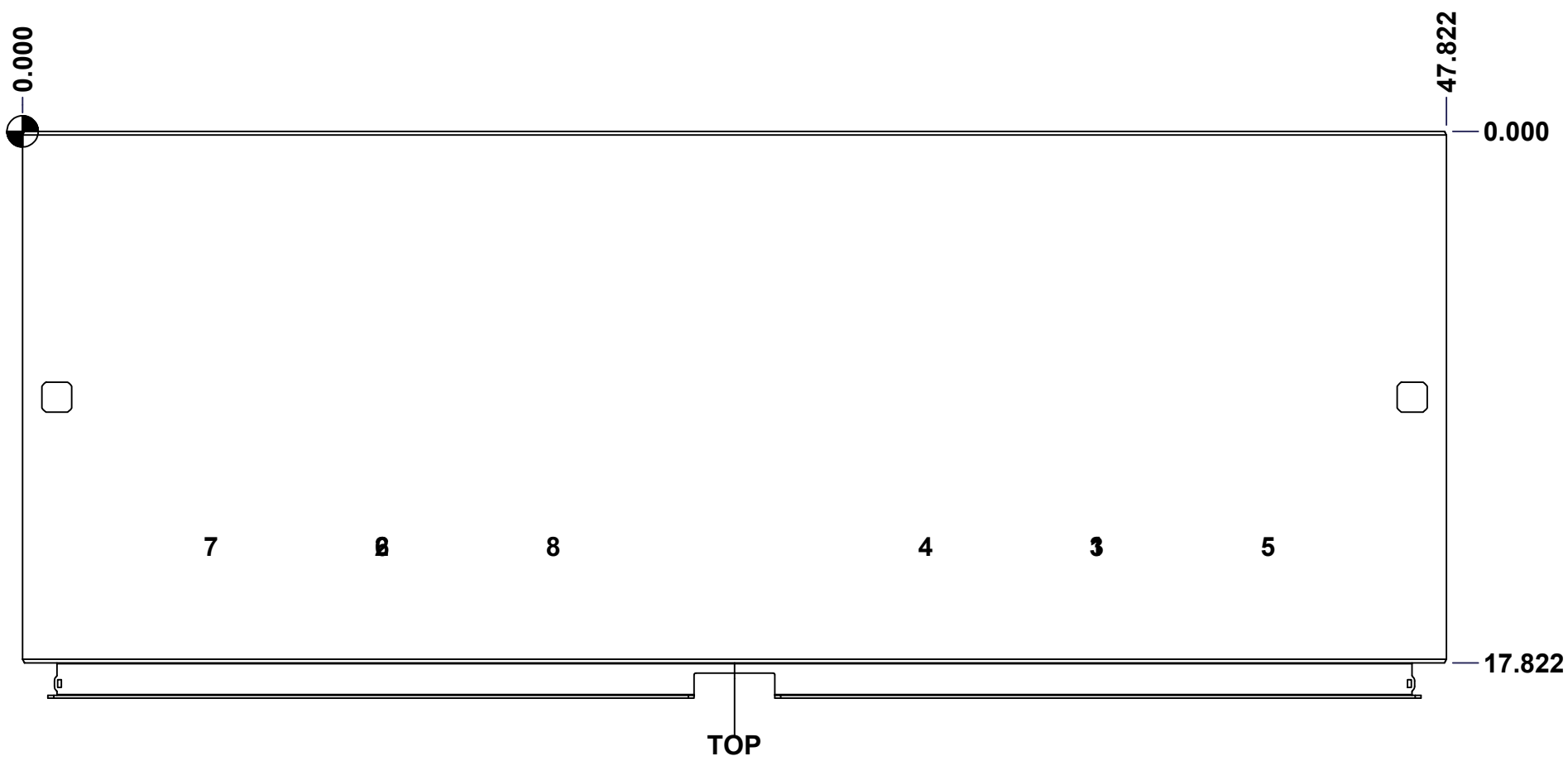
This drawing is confidential and must not be reproduced or used without the consent of EXM

Ce dessin est confidentiel et ne doit pas être reproduit ou utilisé sans le consentement de EXM

**STANDARD FEATURES ARE NOT LISTED IN THIS HOLE TABLE**

**HOLE TABLE - TOP VIEW (CUSTOM FEATURE ONLY)**

CUT-OUT	XDIM	YDIM	DESCRIPTION
1	35.911	13.911	Struts CR400 17.500" (Inside)
2	11.911	13.911	Struts CR400 17.500" (Inside)
3	35.911	13.911	STUDS M6 x 10mm (Inside)
4	30.161	13.911	STUDS M6 x 10mm (Inside)
5	41.661	13.911	STUDS M6 x 10mm (Inside)
6	11.911	13.911	STUDS M6 x 10mm (Inside)
7	6.161	13.911	STUDS M6 x 10mm (Inside)
8	17.661	13.911	STUDS M6 x 10mm (Inside)

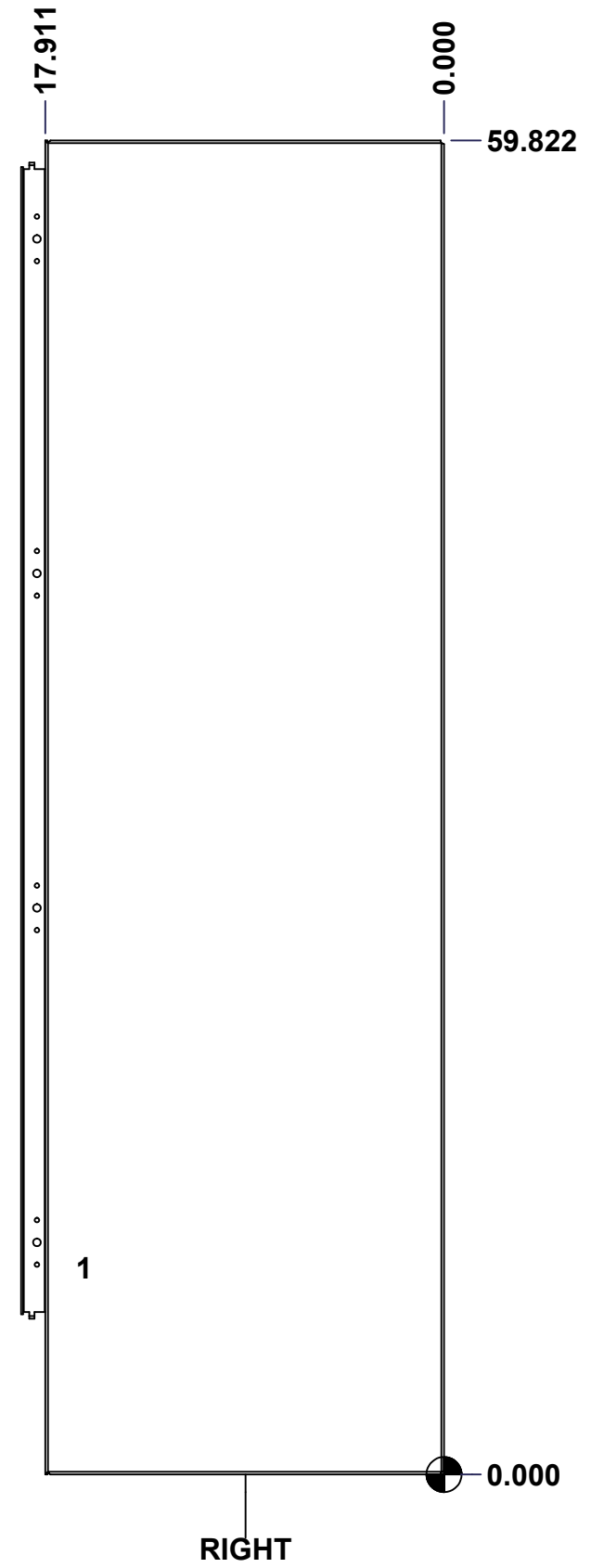


	Description	Status	
	9412DD 60" x 48" x 18" Body	Released	
	Part Number Numéro Pièce	Rev.	
	<b>9412STDD604818B</b>	<b>0</b>	2 / 7

This drawing is confidential and must not be reproduced or used without the consent of EXM

Ce dessin est confidentiel et ne doit pas être reproduit ou utilisé sans le consentement de EXM

STANDARD FEATURES ARE NOT LISTED IN THIS HOLE TABLE			
HOLE TABLE - RIGHT VIEW (CUSTOM FEATURE ONLY)			
CUT-OUT	XDIM	YDIM	DESCRIPTION
1	16.411	9.286	GND STUD M6 x 16mm (Inside)

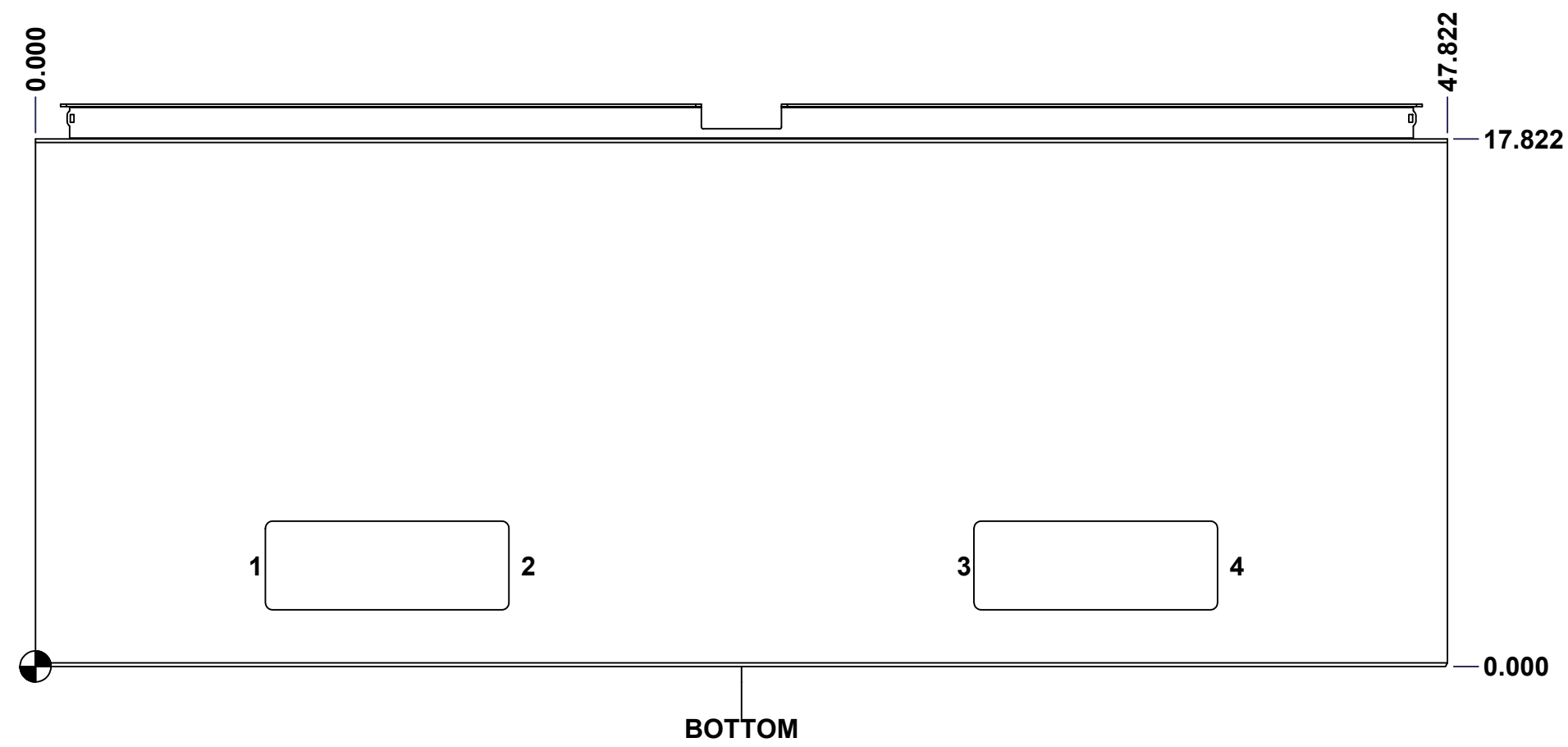


	Description	Status
	9412DD 60" x 48" x 18" Body	Released
	Part Number Numéro Pièce	Rev.
	<b>9412STDD604818B</b>	<b>0</b>
		3
		7

This drawing is confidential and must not be reproduced or used without the consent of EXM

Ce dessin est confidentiel et ne doit pas être reproduit ou utilisé sans le consentement de EXM

STANDARD FEATURES ARE NOT LISTED IN THIS HOLE TABLE			
HOLE TABLE - BOTTOM VIEW (CUSTOM FEATURE ONLY)			
CUT-OUT	XDIM	YDIM	DESCRIPTION
1	7.286	3.411	GP STUD M6 x 16mm (Inside)
2	16.536	3.411	GP STUD M6 x 16mm (Inside)
3	31.286	3.411	GP STUD M6 x 16mm (Inside)
4	40.536	3.411	GP STUD M6 x 16mm (Inside)

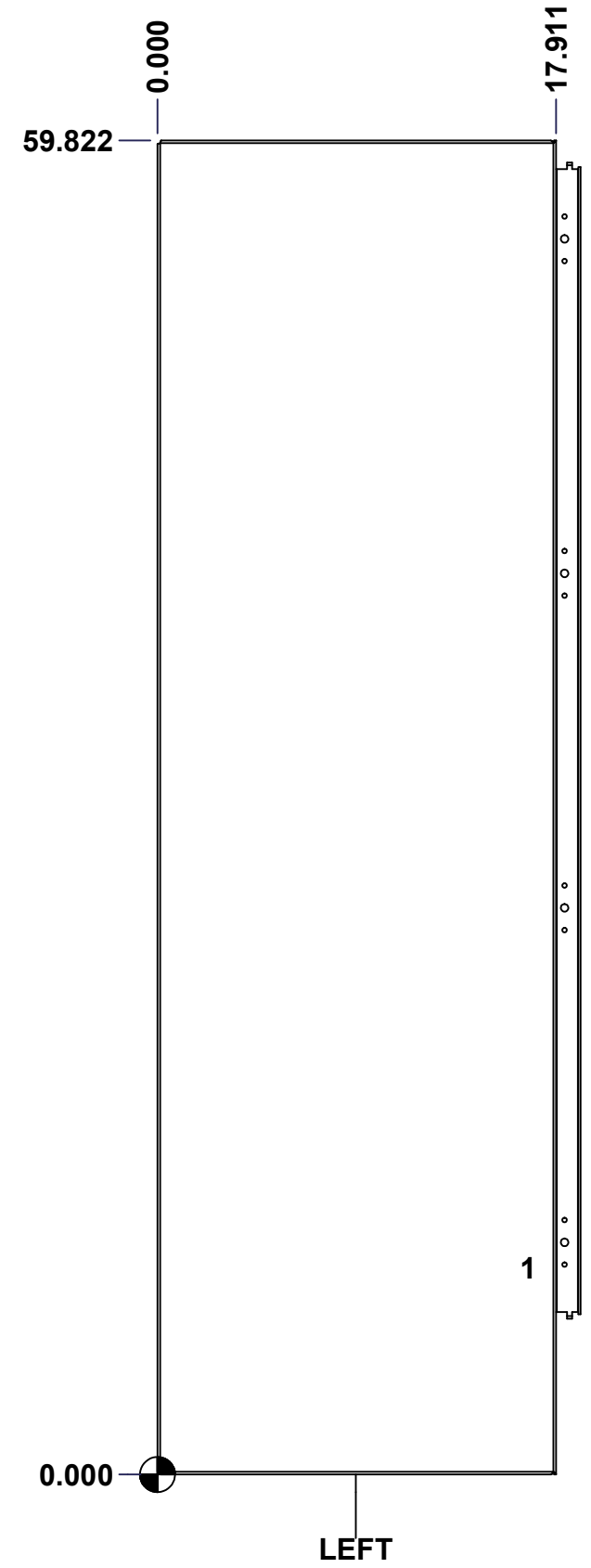


	Description	Status	
	9412DD 60" x 48" x 18" Body	Released	
	Part Number Numéro Pièce	Rev.	
	<b>9412STDD604818B</b>	<b>0</b>	4 / 7

This drawing is confidential and must not be reproduced or used without the consent of EXM

Ce dessin est confidentiel et ne doit pas être reproduit ou utilisé sans le consentement de EXM

<b>STANDARD FEATURES ARE NOT LISTED IN THIS HOLE TABLE</b>			
<b>HOLE TABLE - LEFT VIEW (CUSTOM FEATURE ONLY)</b>			
CUT-OUT	XDIM	YDIM	DESCRIPTION
1	16.411	9.286	GND STUD M6 x 16mm (Inside)



	Description	Status	
	9412DD 60" x 48" x 18" Body	Released	
	Part Number Numéro Pièce	Rev.	
	<b>9412STDD604818B</b>	<b>0</b>	5 / 7

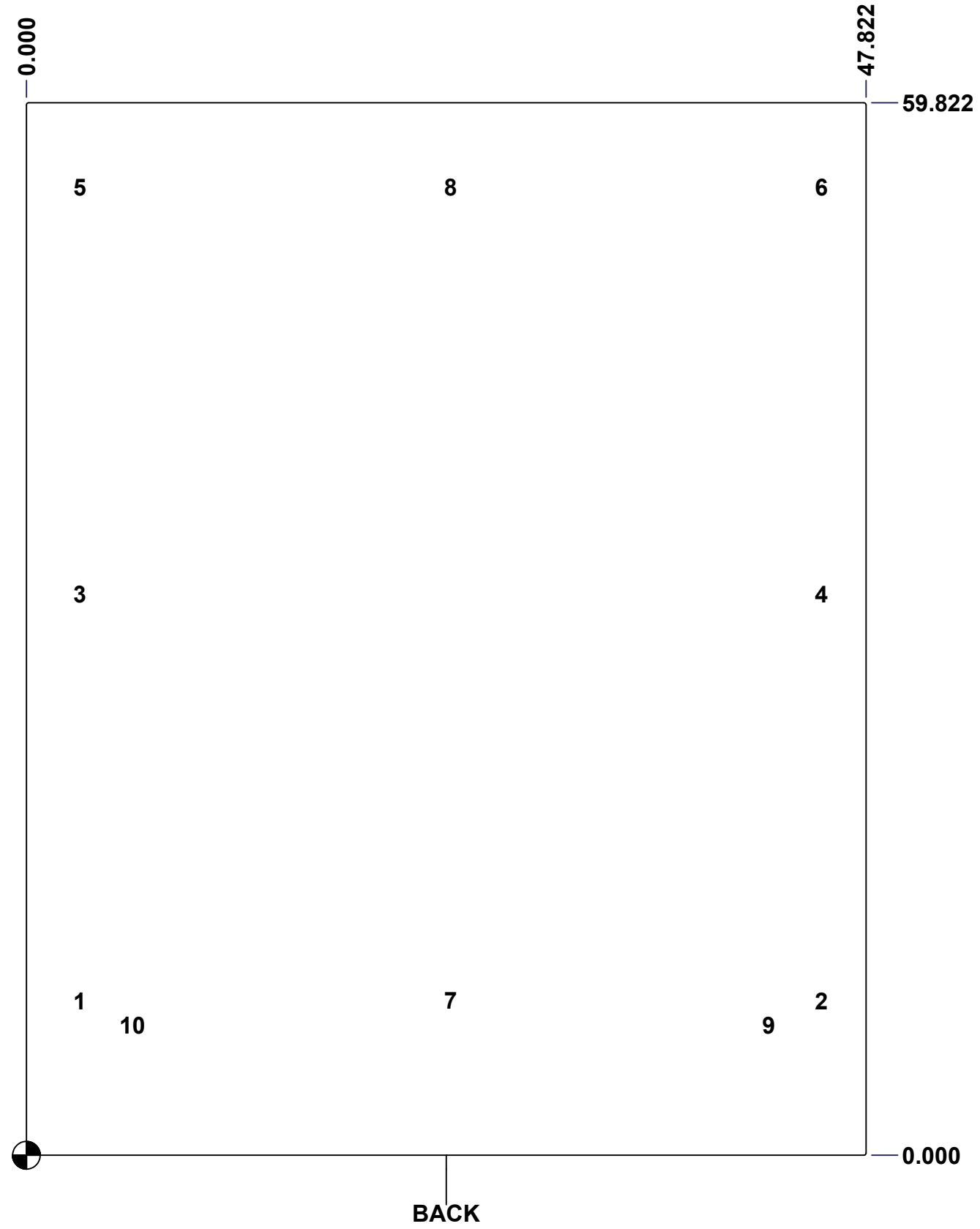
This drawing is confidential and must not be reproduced or used without the consent of EXM

Ce dessin est confidentiel et ne doit pas être reproduit ou utilisé sans le consentement de EXM

**STANDARD FEATURES ARE NOT LISTED IN THIS HOLE TABLE**

**HOLE TABLE - BACK VIEW (CUSTOM FEATURE ONLY)**

CUT-OUT	XDIM	YDIM	DESCRIPTION
1	2.786	8.786	IP STUD M10 x 40mm (Inside)
2	45.036	8.786	IP STUD M10 x 40mm (Inside)
3	2.786	31.911	IP STUD M10 x 40mm (Inside)
4	45.036	31.911	IP STUD M10 x 40mm (Inside)
5	2.786	55.036	IP STUD M10 x 40mm (Inside)
6	45.036	55.036	IP STUD M10 x 40mm (Inside)
7	23.911	8.786	IP STUD M10 x 40mm (Inside)
8	23.911	55.036	IP STUD M10 x 40mm (Inside)
-----	-----	-----	-----
9	42.036	7.411	IP SUPPORT ANGLE (Inside)
10	5.786	7.411	IP SUPPORT ANGLE (Inside)

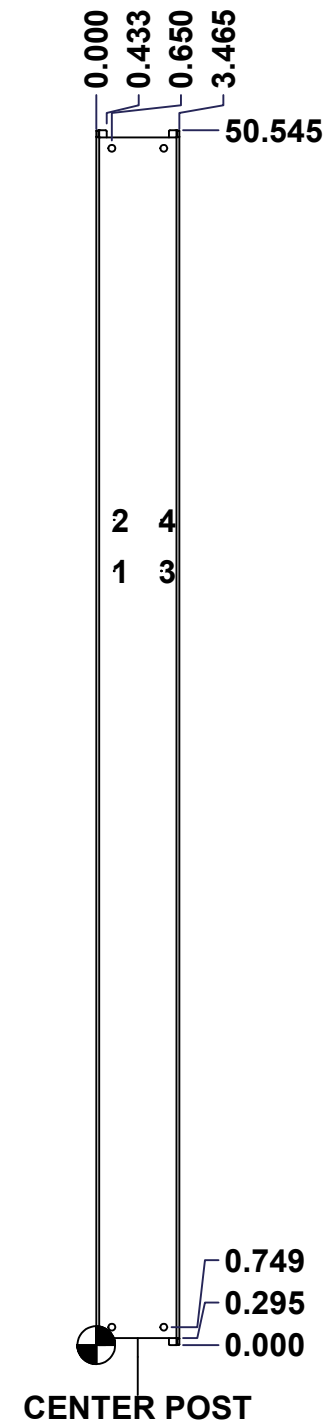


	Description	Status
	9412DD 60" x 48" x 18" Body	Released
	Part Number Numéro Pièce	Rev.
	<b>9412STDD604818B</b>	<b>0</b>
		6
		7

This drawing is confidential and must not be reproduced or used without the consent of EXM

Ce dessin est confidentiel et ne doit pas être reproduit ou utilisé sans le consentement de EXM

STANDARD FEATURES ARE NOT LISTED IN THIS HOLE TABLE			
HOLE TABLE - CENTER VIEW (CUSTOM FEATURE ONLY)			
CUT-OUT	XDIM	YDIM	DESCRIPTION
1	0.748	32.210	INTERLOCK STUD M6 x 16mm (Inside)
2	0.748	34.336	INTERLOCK STUD M6 x 16mm (Inside)
3	2.717	32.210	INTERLOCK STUD M6 x 16mm (Inside)
4	2.717	34.336	INTERLOCK STUD M6 x 16mm (Inside)

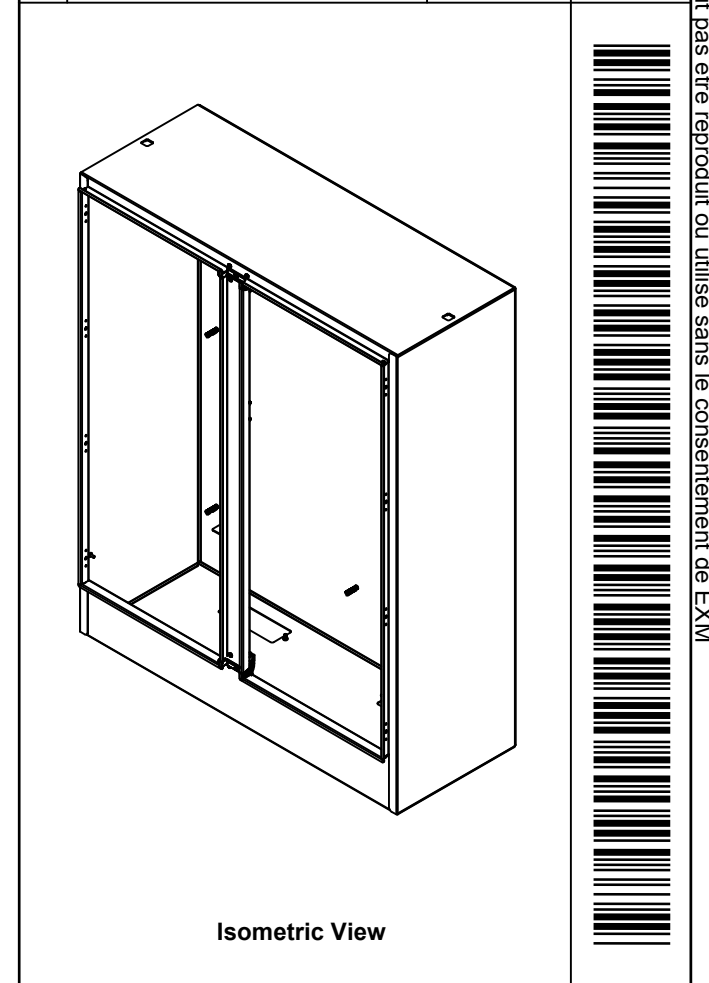


	Description	Status	
	9412DD 60" x 48" x 18" Body	Released	
	Part Number Numéro Pièce	Rev.	
	<b>9412STDD604818B</b>	<b>0</b>	6 7


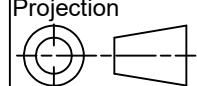
This drawing is confidential and must not be reproduced or used without the consent of EXM

Ce dessin est confidentiel et ne doit pas être reproduit ou utilisé sans le consentement de EXM

No.	Revisions	Date	By/Par



6	STK-Q-16030	0	Stud M6 x 10mm
6	STK-Q-07220	1	M6 Nylon Insert Lock Nut
2	9412STDD604818BPA-P	0	9412DD Inner Panel Support Angle
1	STK-P-02400S	0	Powder Paint (Asa-61 Grey / Smooth)
4	STK-Q-16055	1	M6 x 18mm Stud (No Paint Cap Required)
1	STK-A-75454	3	Center Post - Sealing Block with Latch Assembly (Large)
1	9412STDD604818CP-P	0	9412DD 60" Center Post Part
8	STK-Q-16100	0	Stud M10 x 40mm
1	9412STDD604818BT-P	0	9412DD 48" x 18" Bottom Part
1	9412STDD604818T-P	0	9412DD 48" x 18" Top Part
1	9412STDD604818RS-P	0	9412DD 60" x 48" Right Part
1	9412STDD604818LS-P	0	9412DD 60" x 48" Left Part
1	9412STDD604818B-P	0	9412DD 60" x 48" Back Part
2	CR400MS_17.5	0	Commercial Roll Mild Steel (17.5in long)
6	STK-Q-16080	0	Ground Stud M6 x 16mm
Qty	Part Number	Rev	Description
Parts List			

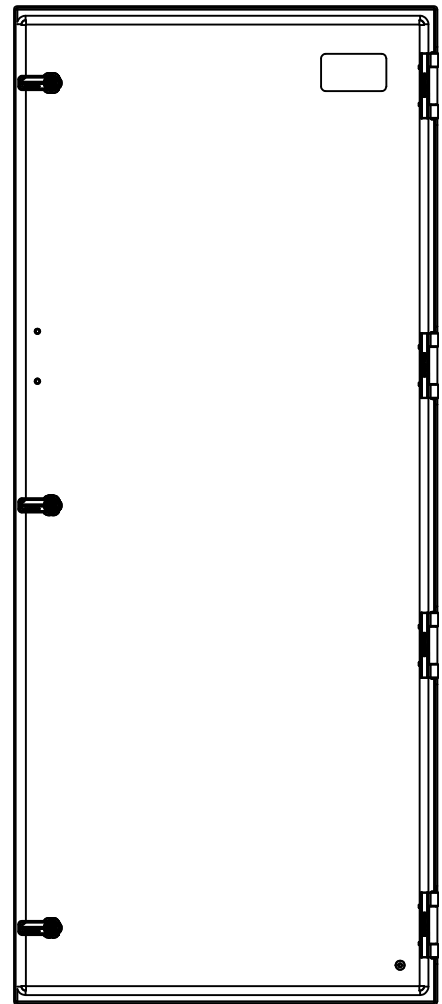
 Tél: (450) 979-4373 Fax: (450) 979-4626 <a href="http://www.exmweb.com">www.exmweb.com</a>		Flatness Aplatissement Max 3.0mm Projection 
Customer Client	Date	Date
Drawn By Dessiné Par	BoxCad: BoxCad	26-Nov-21
Material Matière	12 Ga Cold Rolled A1008 CS Type B (2.5mm)	
Color Couleur	Asa-61 Grey	Finish Fini: Smooth
Description	9412DD 60" x 48" x 18" Body	
Part Number Numéro Pièce	Rev.	2
<b>9412STDD604818B</b>	<b>0</b>	<b>2</b>

This drawing is confidential and must not be reproduced or used without the consent of EXM

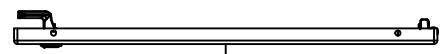
Ce dessin est confidentiel et ne doit pas être reproduit ou utilisé sans le consentement de EXM



TOP

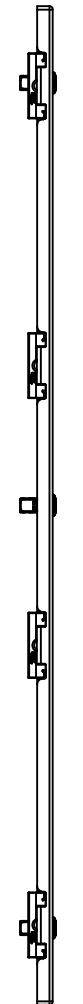


BACK



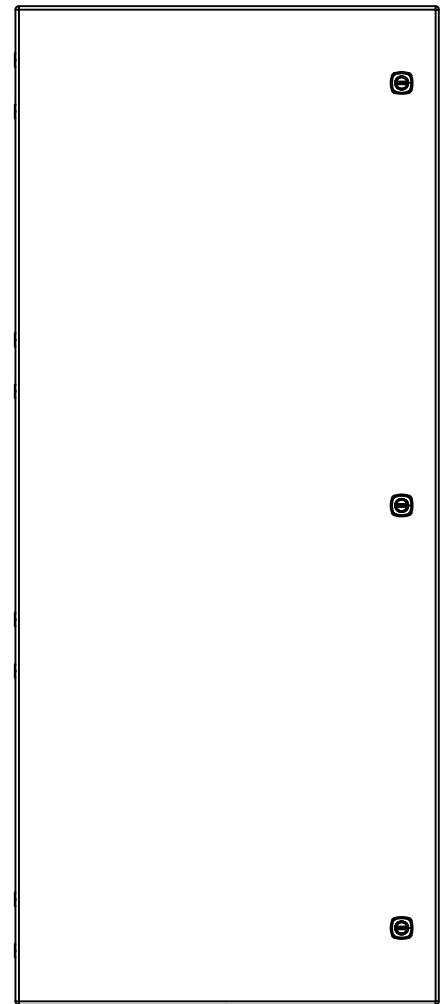
BOTTOM

0.000  
0.835



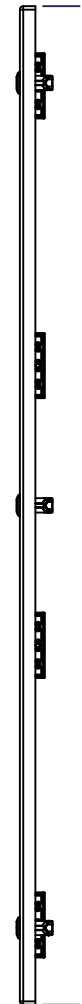
LEFT

0.000  
22.750



FRONT

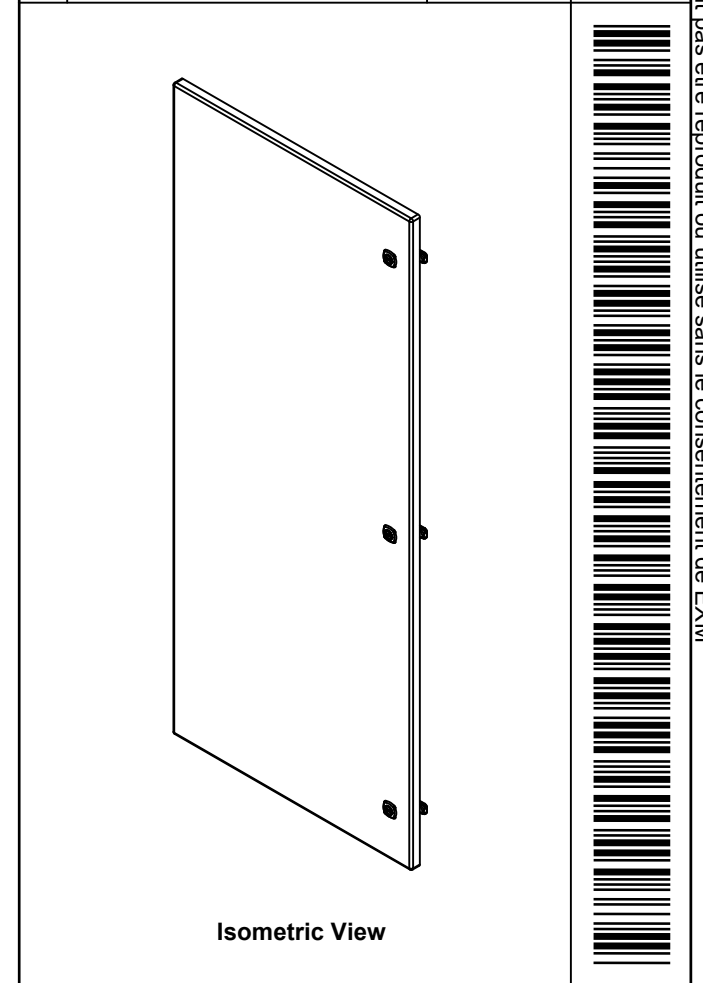
53.549



RIGHT


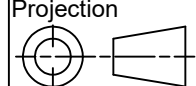
0.000

No.	Revisions	Date	By/Par



Isometric View



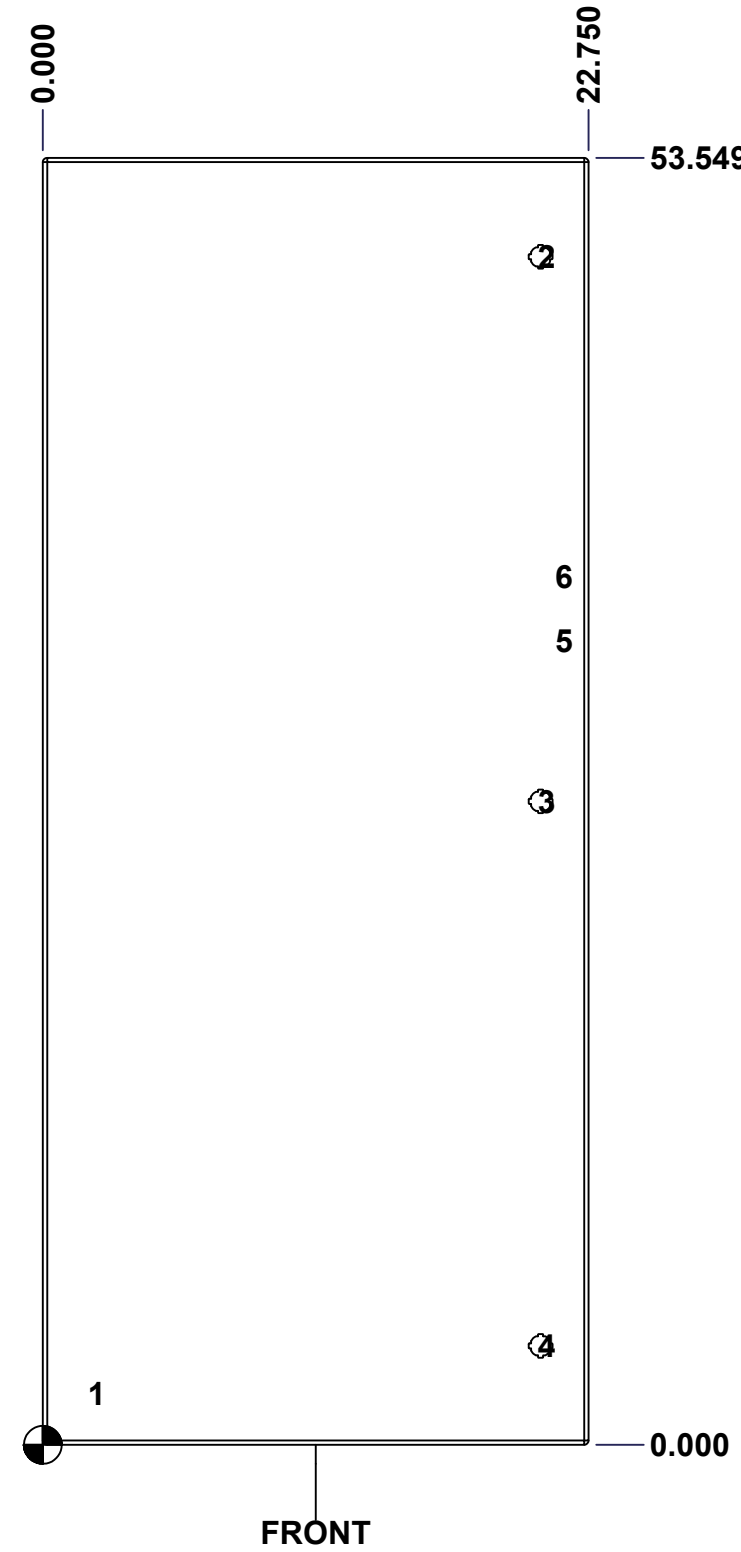
 Tél: (450) 979-4373 Fax: (450) 979-4626 <a href="http://www.exmweb.com">www.exmweb.com</a>		Flatness Aplatissement Max 3.0mm Projection 
Customer Client	Date	
Drawn By Dessiné Par	BoxCad: BoxCad	Date 26-Nov-21
Material Matière	12 Ga Cold Rolled A1008 CS Type B (2.5mm)	
Color Couleur	Asa-61 Grey	Finish Finis Smooth
Description	Detail Rev.	
9412DD 60" x 48" Slave Door		
Part Number Numéro Pièce	Rev. 0	1 / 3
<b>9412STDD604818LD</b>		

SEE BILL OF MATERIAL ON LAST PAGE

This drawing is confidential and must not be reproduced or used without the consent of EXM

Ce dessin est confidentiel et ne doit pas être reproduit ou utilisé sans le consentement de EXM

STANDARD FEATURES ARE NOT LISTED IN THIS HOLE TABLE			
HOLE TABLE - FRONT VIEW (CUSTOM FEATURE ONLY)			
CUT-OUT	XDIM	YDIM	DESCRIPTION
1	2.000	2.118	GND STUD M6 x 16mm (Inside)
2	20.750	49.430	LOCK 889 SCQ4-SL @ 0.0°
3	20.750	26.774	LOCK 889 SCQ4-SL @ 0.0°
4	20.750	4.118	LOCK 889 SCQ4-SL @ 0.0°
5	21.489	33.435	STUDS M6 x 18mm (Inside)
6	21.489	36.113	STUDS M6 x 18mm (Inside)

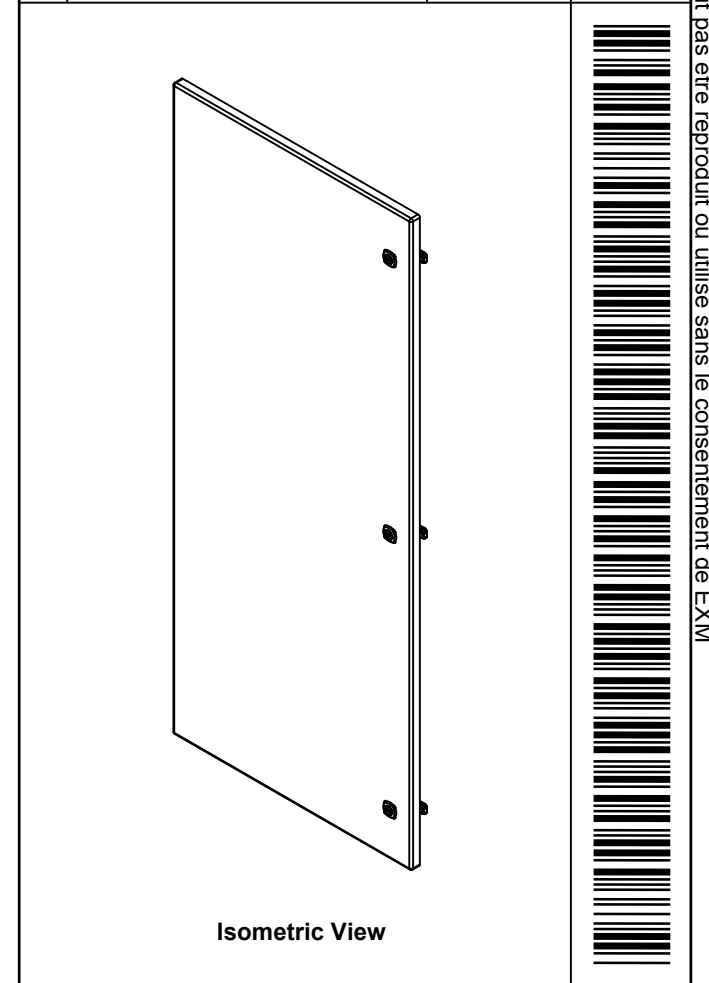



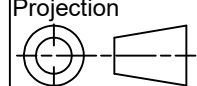
	Description	Status
	9412DD 60" x 48" Slave Door	(NULL)
	Part Number Numéro Pièce	Rev.
	<b>9412STDD604818LD</b>	<b>0</b>
		2
		3

This drawing is confidential and must not be reproduced or used without the consent of EXM

Ce dessin est confidentiel et ne doit pas être reproduit ou utilisé sans le consentement de EXM

No.	Revisions	Date	By/Par

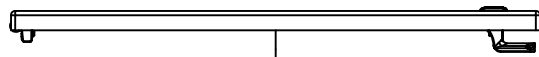


 Tél: (450) 979-4373 Fax: (450) 979-4626 <a href="http://www.exmweb.com">www.exmweb.com</a>		Flatness Aplatissement Max 3.0mm Projection 
Customer Client	Date	
Drawn By Dessiné Par	BoxCad: BoxCad	Date 26-Nov-21
Material Matière	12 Ga Cold Rolled A1008 CS Type B (2.5mm)	
Color Couleur	Asa-61 Grey	Finish Fini Smooth
Description		Detail Rev.
9412DD 60" x 48" Slave Door		
Part Number Numéro Pièce	Rev.	3
<b>9412STDD604818LD</b>	<b>0</b>	<b>3</b>

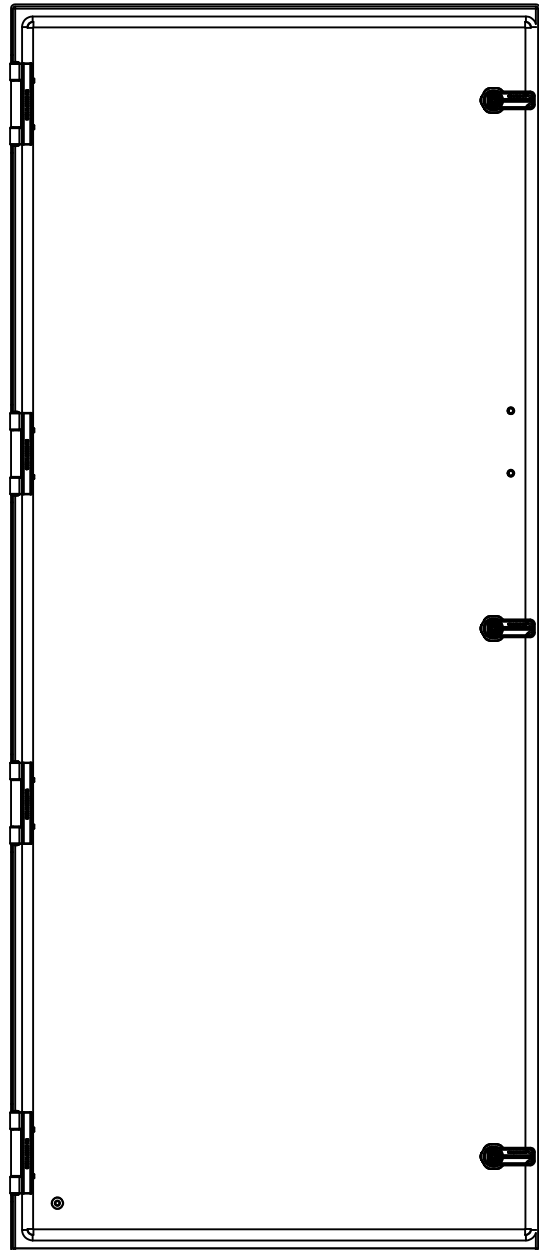
2	STK-Q-16055	1	M6 x 18mm Stud (No Paint Cap Required)
1	9412STDD604818DG	0	9412DD 60" x 48" Door Gasket
1	STK-Q-16080	0	Ground Stud M6 x 16mm
1	STK-P-02400S	0	Powder Paint (Asa-61 Grey / Smooth)
1	STK-S-00100	0	3.5" x 2" Silver Milar Flexcon Sticker
1	9412STDD604818LD-P	0	9412DD 60" x 48" Slave Door Part
4	STK-K-09860	7	Cabinet Hinge with Captive Pins
3	STK-K-12580	0	9412 1/4 Turn Lock
Qty	Part Name	Rev	Description
Parts List			

This drawing is confidential and must not be reproduced or used without the consent of EXM

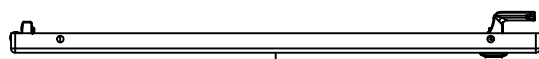
Ce dessin est confidentiel et ne doit pas être reproduit ou utilisé sans le consentement de EXM



TOP



BACK



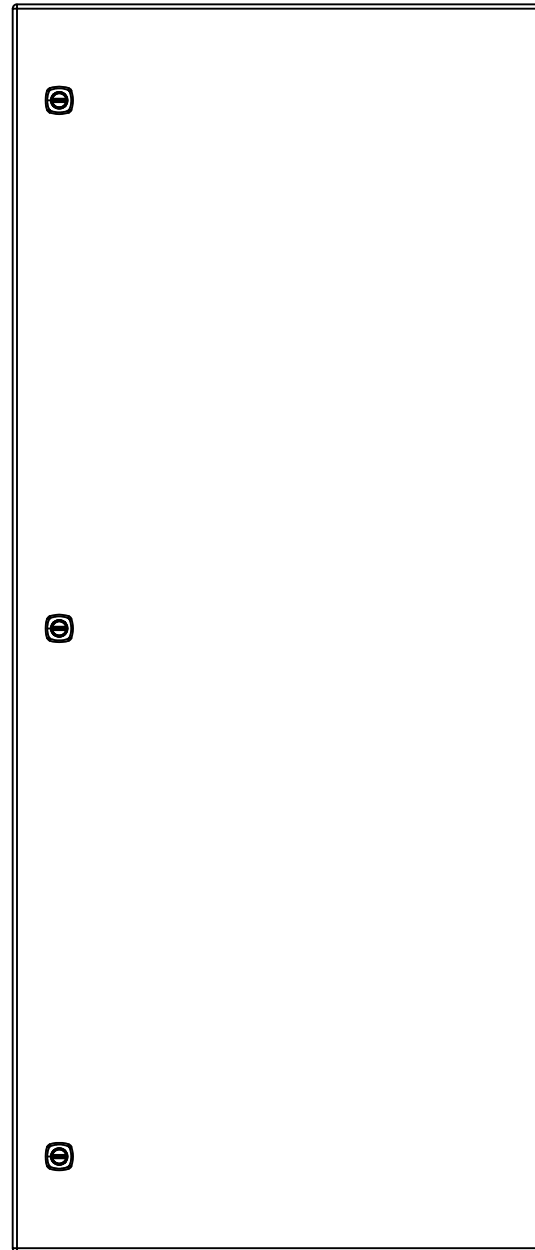
BOTTOM

0.000  
0.835



LEFT

22.750



FRONT

0.000

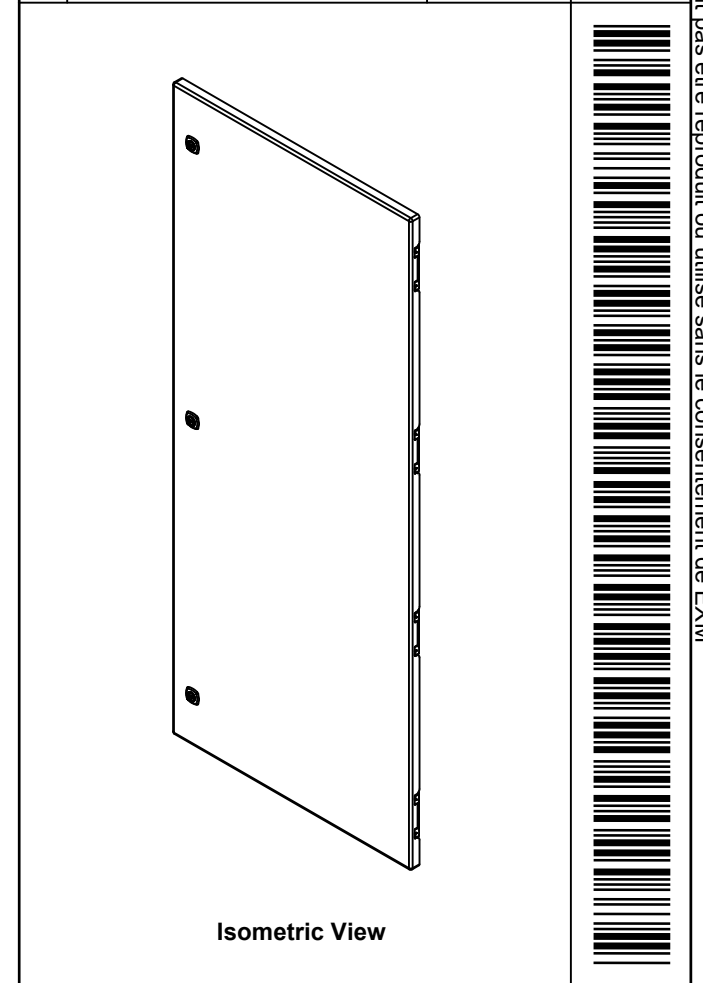
53.549




RIGHT

0.000

No.	Revisions	Date	By/Par



 Tél: (450) 979-4373 Fax: (450) 979-4626 <a href="http://www.exmweb.com">www.exmweb.com</a>		Flatness Aplatissement	
		Max 3.0mm	
Customer Client		Date	
Drawn By Dessiné Par BoxCad: BoxCad		Date 26-Nov-21	
Material Matière 12 Ga Cold Rolled A1008 CS Type B (2.5mm)			
Color Couleur Asa-61 Grey		Finish Fini Smooth	
Description 9412DD 60" x 48" Master Door			Detail Rev.
Part Number Numéro Pièce <b>9412STDD604818FD</b>		Rev. <b>0</b>	1 3

SEE BILL OF MATERIAL ON LAST PAGE

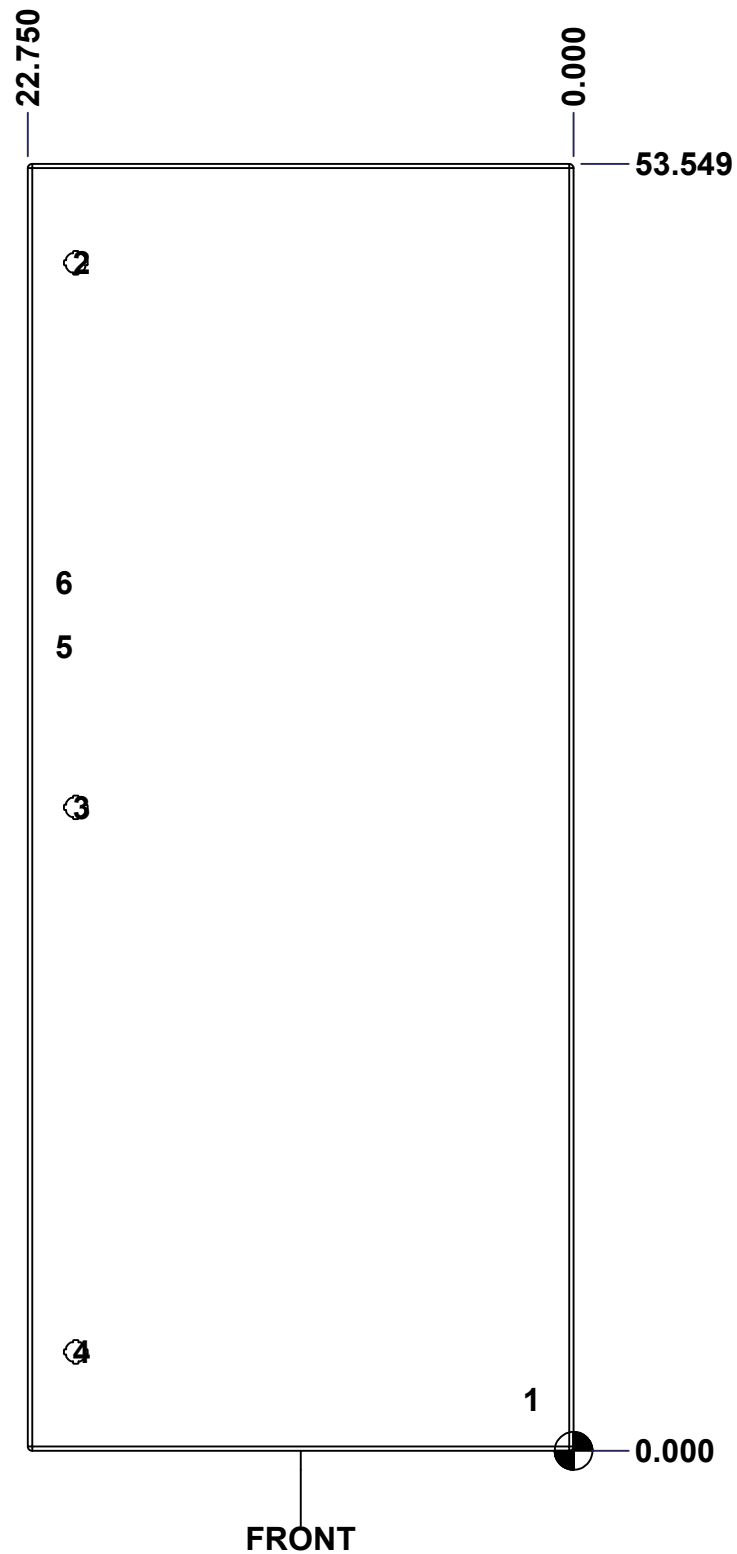
This drawing is confidential and must not be reproduced or used without the consent of EXM

Ce dessin est confidentiel et ne doit pas être reproduit ou utilisé sans le consentement de EXM

**STANDARD FEATURES ARE NOT LISTED IN THIS HOLE TABLE**

**HOLE TABLE - FRONT VIEW (CUSTOM FEATURE ONLY)**

CUT-OUT	XDIM	YDIM	DESCRIPTION
1	2.000	2.118	GND STUD M6 x 16mm (Inside)
2	20.750	49.430	LOCK 889 SCQ4-SL @ 180.0°
3	20.750	26.774	LOCK 889 SCQ4-SL @ 180.0°
4	20.750	4.118	LOCK 889 SCQ4-SL @ 180.0°
5	21.489	33.435	STUDS M6 x 18mm (Inside)
6	21.489	36.113	STUDS M6 x 18mm (Inside)



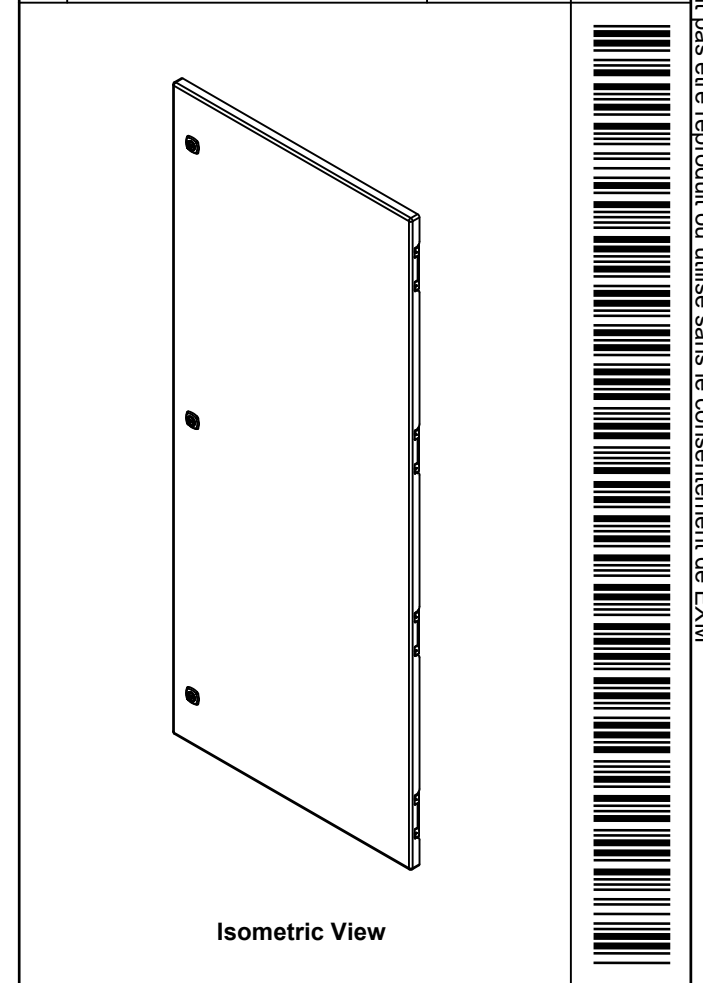
FRONT


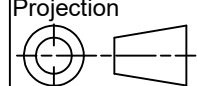
	Description	Status	
	9412DD 60" x 48" Master Door	(NULL)	
	Part Number Numéro Pièce	Rev.	
	<b>9412STDD604818FD</b>	<b>0</b>	2 3

This drawing is confidential and must not be reproduced or used without the consent of EXM

Ce dessin est confidentiel et ne doit pas être reproduit ou utilisé sans le consentement de EXM

No.	Revisions	Date	By/Par



 Tél: (450) 979-4373 Fax: (450) 979-4626 <a href="http://www.exmweb.com">www.exmweb.com</a>		Flatness Aplatissement Max 3.0mm Projection 
Customer Client	Date	
Drawn By Dessiné Par	BoxCad: BoxCad	Date 26-Nov-21
Material Matière	12 Ga Cold Rolled A1008 CS Type B (2.5mm)	
Color Couleur	Asa-61 Grey	Finish Fini Smooth
Description		Detail Rev.
9412DD 60" x 48" Master Door		
Part Number Numéro Pièce	Rev.	3
<b>9412STDD604818FD</b>	<b>0</b>	<b>3</b>

Qty	Part Name	Rev	Description
2	STK-Q-16055	1	M6 x 18mm Stud (No Paint Cap Required)
1	9412STDD604818DG	0	9412DD 60" x 48" Door Gasket
1	STK-Q-16080	0	Ground Stud M6 x 16mm
1	STK-P-02400S	0	Powder Paint (Asa-61 Grey / Smooth)
1	9412STDD604818FD-P	0	9412DD 60" x 48" Master Door Part
4	STK-K-09860	7	Cabinet Hinge with Captive Pins
3	STK-K-12580	0	9412 1/4 Turn Lock
Parts List			