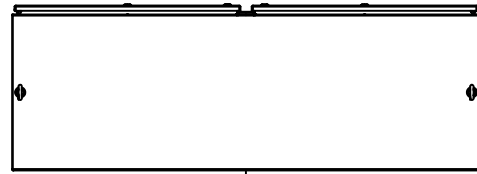
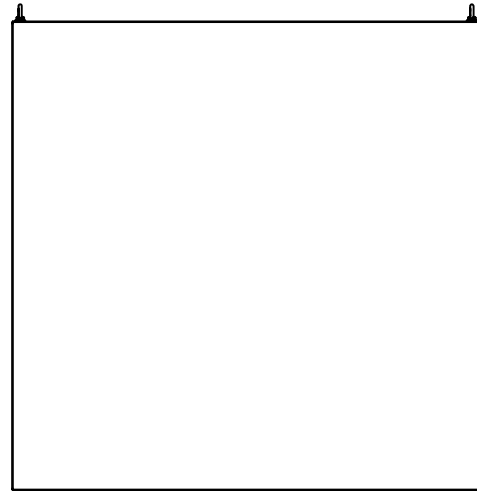


This drawing is confidential and must not be reproduced or used without the consent of EXM

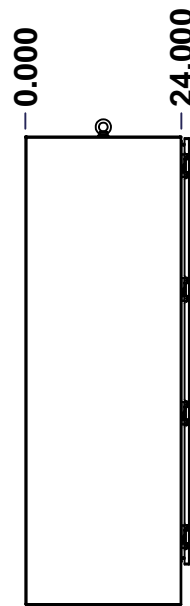
Ce dessin est confidentiel et ne doit pas être reproduit ou utilisé sans le consentement de EXM



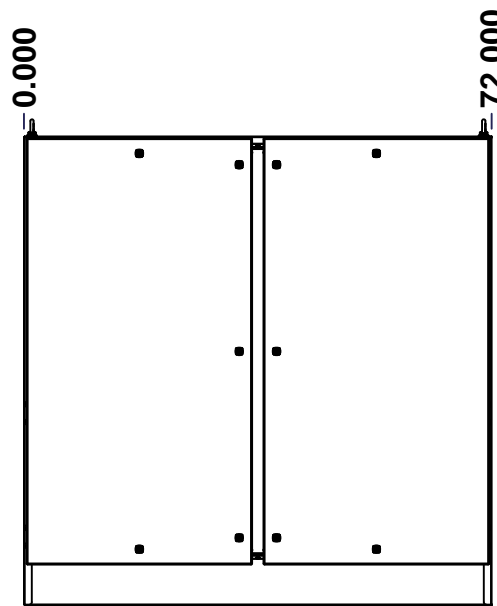
TOP



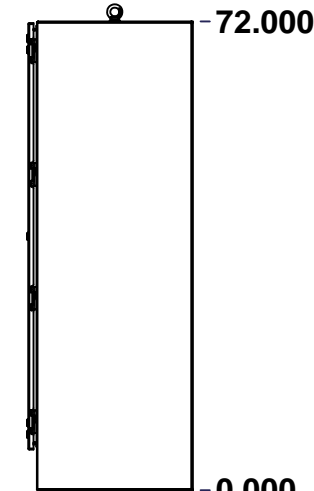
BACK



LEFT



FRONT

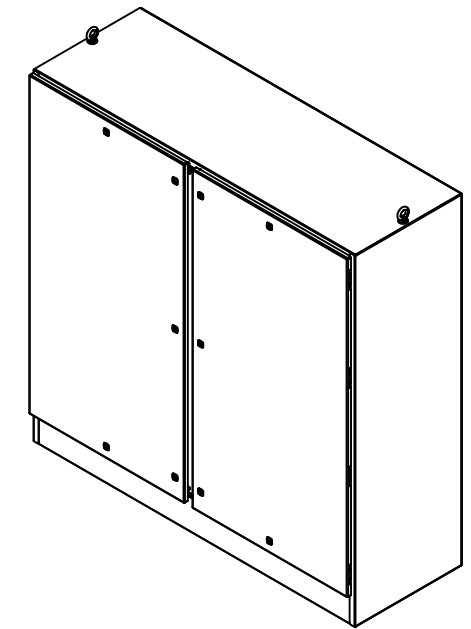


RIGHT



BOTTOM

| No. | Revisions | Date | By/Par |
|-----|-----------|------|--------|
| | | | |
| | | | |
| | | | |
| | | | |



Isometric View

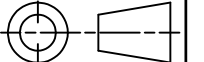


Tél: (450) 979-4373
 Fax: (450) 979-4626
www.exmweb.com

Flatness
Aplatissement

Max 3.0mm

Projection



| | |
|---|-----------------------|
| Customer Client | Date |
| Drawn By / Dessiné Par: BoxCad: BoxCad | Date: 26-Nov-21 |
| Material / Matière: 12 Ga Cold Rolled A1008 CS Type B (2.5mm) | |
| Color / Couleur: Asa-61 Grey | Finish / Fini: Smooth |
| Description: 9412DD 72" x 72" x 24" Assembly | Detail Rev. |
| Part Number / Numéro Pièce: 9412STDD727224 | Rev. 1 0 |

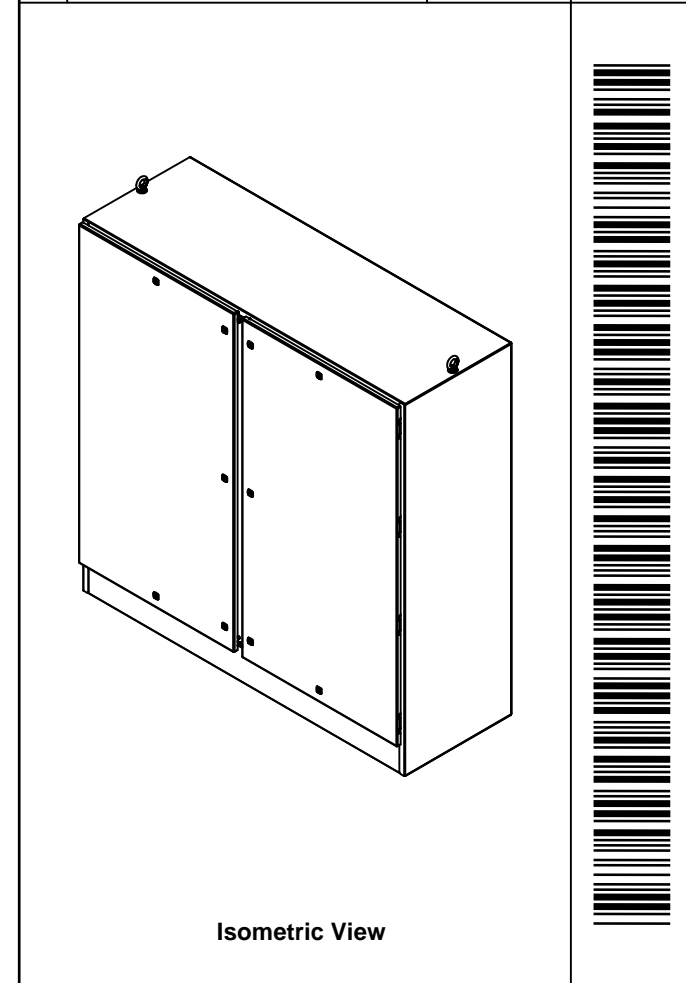
SEE BILL OF MATERIAL ON LAST PAGE

This drawing is confidential and must not be reproduced or used without the consent of EXM

Ce dessin est confidentiel et ne doit pas être reproduit ou utilisé sans le consentement de EXM

| NOTE | |
|------|--|
| ITEM | DESCRIPTION |
| 1 | NEMA 4/12 Enclosure |
| 2 | C/W Standard ground studs on box and cover |
| 3 | W/O Standard door stiffener |
| 4 | W/O Inner panel |
| 5 | C/W Standard inner panel mounting studs |
| 6 | C/W Eyebolts |
| 7 | C/W Struts installed (Included) |

| No. | Revisions | Date | By/Par |
|-----|-----------|------|--------|
| | | | |
| | | | |
| | | | |
| | | | |
| | | | |
| | | | |



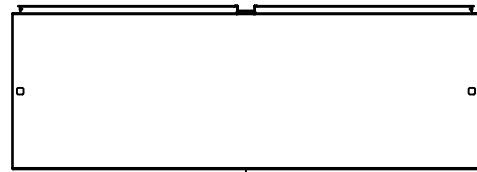
| PACKING | | |
|-----------------------|-----|--|
| ITEM | QTY | DESCRIPTION |
| Cardboard sleeve | 2 | Top and Bottom |
| Cardboard strip | 2 | Between back of enclosure and inner panel |
| Plastic bag | 1 | To protect cover surface and inside gasket |
| Cardboard corner | 4 | To reinforced for the plastic strap tightening |
| Plastic strap - Black | 2 | To Squeeze 2 cardboard sleeve together |
| Packaging label | 3 | White label with PN |
| Plastic strap- Green | 2 | To secure the enclosure to the wood pallet |
| Wood Pallet | 1 | 2" deeper and 3" larger than enclosure size |

| | | | |
|------------|------------------|-----|---|
| 1 | 880INTI | 2 | 880 INTI - Interlock Post Kit |
| 1 | 880EB14 | 2 | Eye Bolt M14 (Pack of 2) |
| 1 | 9412STDD727224FD | 0 | 9412DD 72" x 72" Master Door |
| 1 | 9412STDD727224LD | 0 | 9412DD 72" x 72" Slave Door |
| 1 | 9412STDD727224B | 0 | 9412DD 72" x 72" x 24" Body |
| 2 | 9412STDD727224GP | 0 | 9412DD Gland Plate |
| 8 | STK-Q-04050-10 | 8 | M6 x 10mm Hexagon Socket Head Machine Screw with Nyseal |
| Qty | Part Number | Rev | Description |
| Parts List | | | |

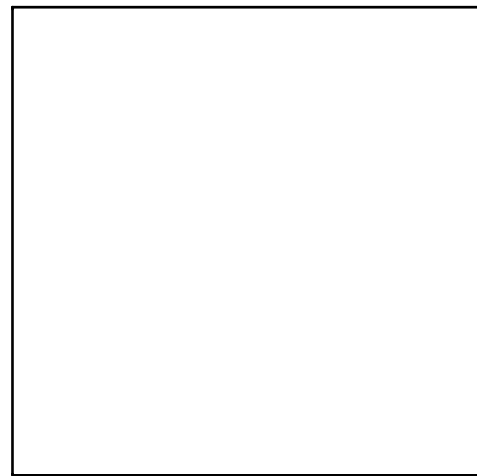
| | | | |
|--------------|--|---------------|-------------|
| | Tél: (450) 979-4373 Fax: (450) 979-4626 www.exmweb.com | Flatness | Max 3.0mm |
| | | Aplatissement | Projection |
| Customer | Client | Date | |
| Drawn By | BoxCad: BoxCad | Date | 26-Nov-21 |
| Material | 12 Ga Cold Rolled A1008 CS Type B (2.5mm) | | |
| Color | Asa-61 Grey | Finish | Smooth |
| Description | 9412DD 72" x 72" x 24" Assembly | | Detail Rev. |
| Part Number | 9412STDD727224 | Rev. | 0 |
| Numéro Pièce | 9412STDD727224 | | 2 |

This drawing is confidential and must not be reproduced or used without the consent of EXM

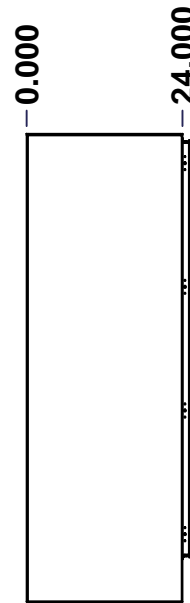
Ce dessin est confidentiel et ne doit pas être reproduit ou utilisé sans le consentement de EXM



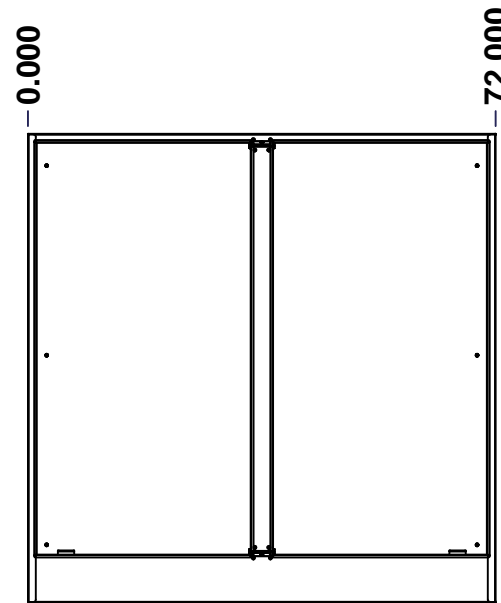
TOP



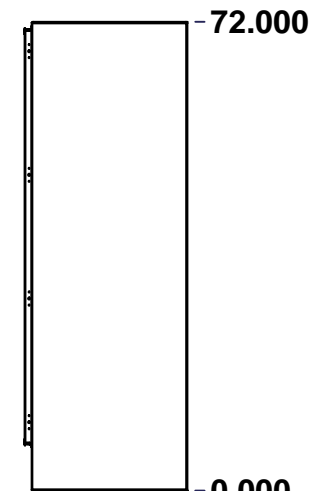
BACK



LEFT



FRONT

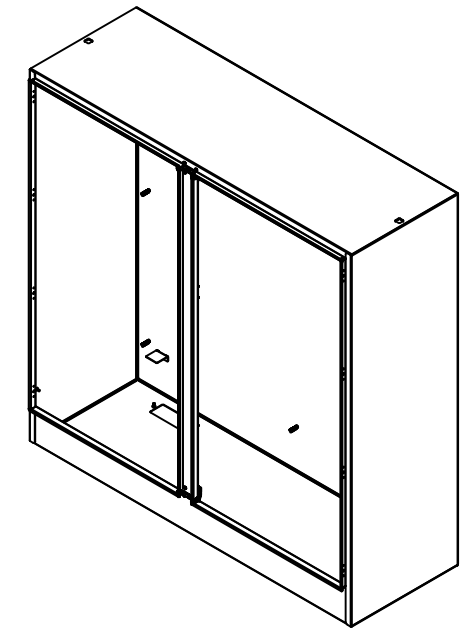


RIGHT



BOTTOM

| No. | Revisions | Date | By/Par |
|-----|-----------|------|--------|
| | | | |
| | | | |
| | | | |
| | | | |
| | | | |



Isometric View

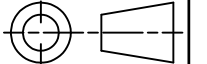


Tél: (450) 979-4373
 Fax: (450) 979-4626
www.exmweb.com

Flatness
Aplatissement

Max 3.0mm

Projection



| | |
|---|-----------------------|
| Customer Client | Date |
| Drawn By Dessiné Par BoxCad: BoxCad | Date 26-Nov-21 |
| Material Matière 12 Ga Cold Rolled A1008 CS Type B (2.5mm) | |
| Color Couleur Asa-61 Grey | Finish Fini Smooth |
| Description 9412DD 72" x 72" x 24" Body | Detail Rev. |
| Part Number Numéro Pièce 9412STDD727224B | Rev. 1 0 2 |

SEE BILL OF MATERIAL ON LAST PAGE

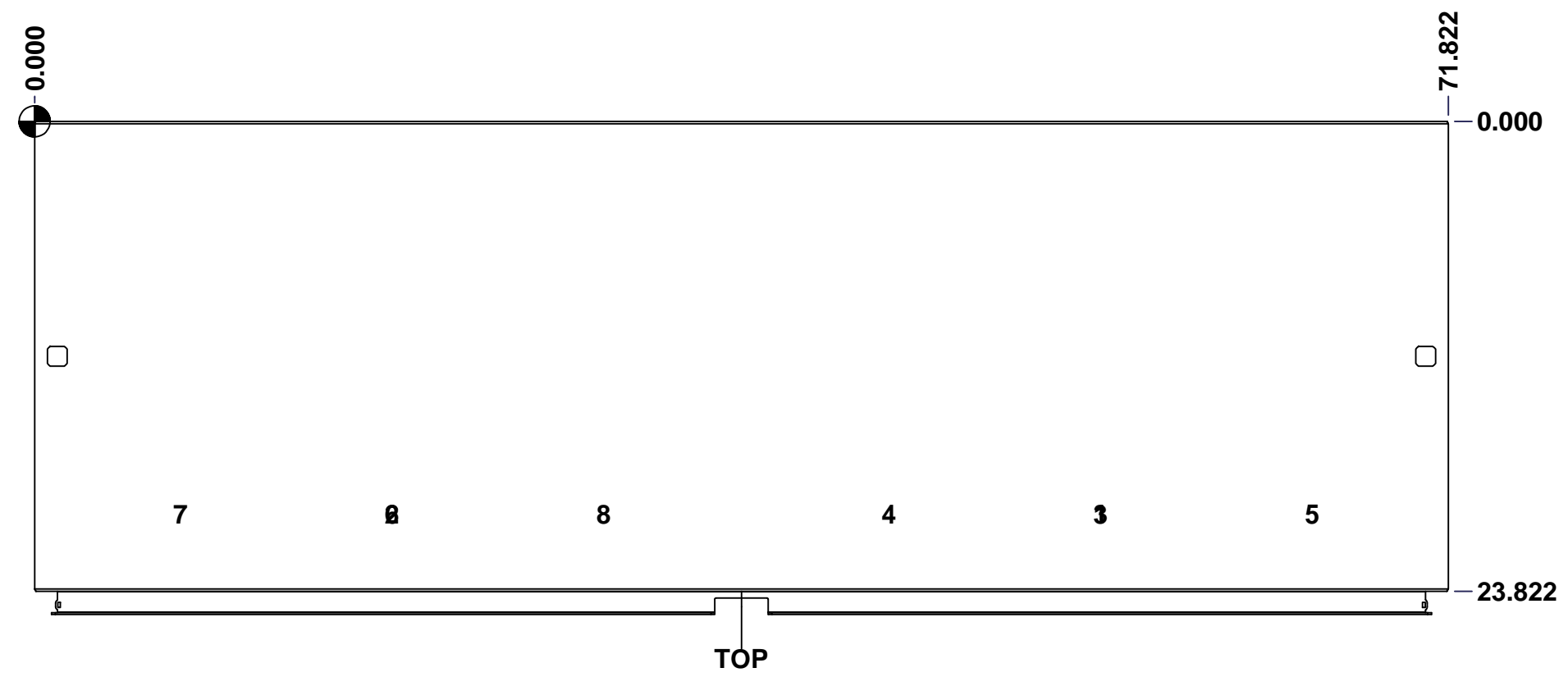
This drawing is confidential and must not be reproduced or used without the consent of EXM

Ce dessin est confidentiel et ne doit pas être reproduit ou utilisé sans le consentement de EXM

STANDARD FEATURES ARE NOT LISTED IN THIS HOLE TABLE

HOLE TABLE - TOP VIEW (CUSTOM FEATURE ONLY)

| CUT-OUT | XDIM | YDIM | DESCRIPTION |
|---------|--------|--------|-------------------------------|
| 1 | 53.911 | 19.911 | Struts CR400 27.500" (Inside) |
| 2 | 17.911 | 19.911 | Struts CR400 27.500" (Inside) |
| 3 | 53.911 | 19.911 | STUDS M6 x 10mm (Inside) |
| 4 | 43.161 | 19.911 | STUDS M6 x 10mm (Inside) |
| 5 | 64.661 | 19.911 | STUDS M6 x 10mm (Inside) |
| 6 | 17.911 | 19.911 | STUDS M6 x 10mm (Inside) |
| 7 | 7.161 | 19.911 | STUDS M6 x 10mm (Inside) |
| 8 | 28.661 | 19.911 | STUDS M6 x 10mm (Inside) |

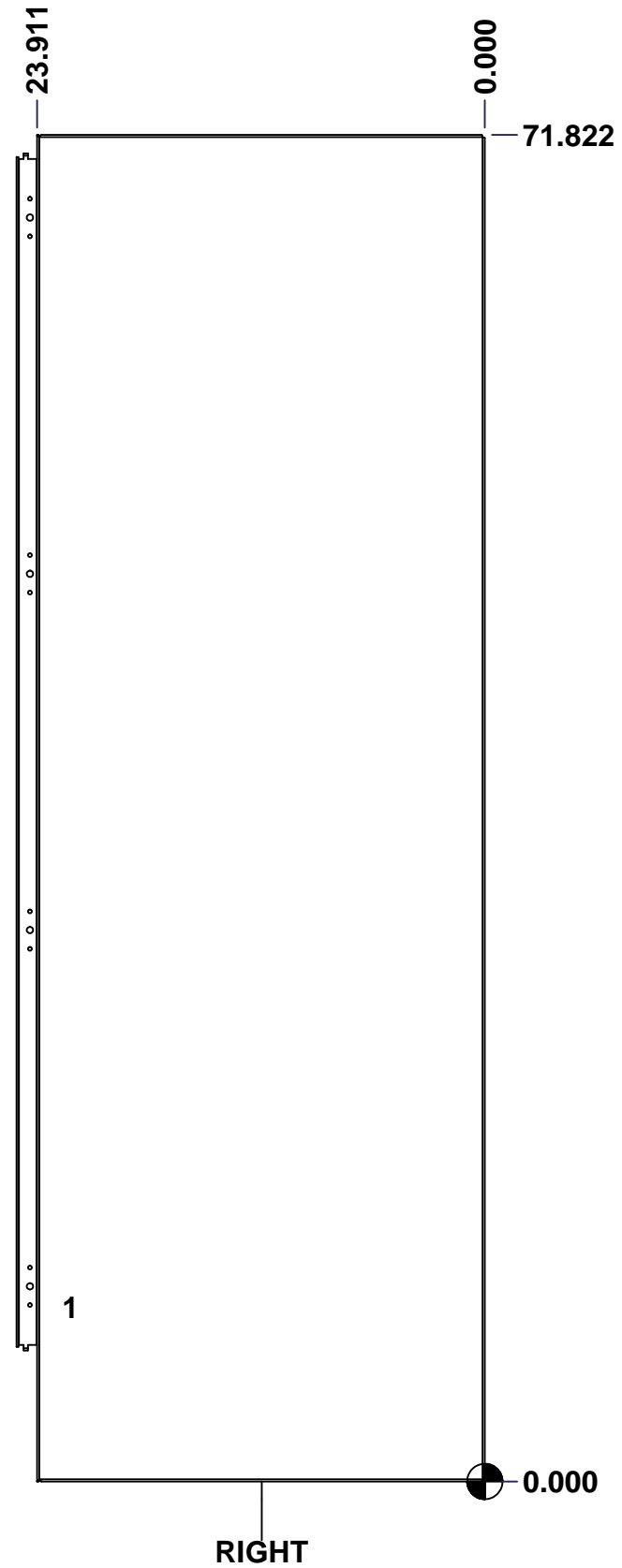


| | | | |
|--|-----------------------------|----------|-------|
| | Description | Status | |
| | 9412DD 72" x 72" x 24" Body | Released | |
| | Part Number Numéro Pièce | Rev. | |
| | 9412STDD727224B | 0 | 2 / 7 |

This drawing is confidential and must not be reproduced or used without the consent of EXM

Ce dessin est confidentiel et ne doit pas être reproduit ou utilisé sans le consentement de EXM

| STANDARD FEATURES ARE NOT LISTED IN THIS HOLE TABLE | | | |
|--|--------|-------|-----------------------------|
| HOLE TABLE - RIGHT VIEW (CUSTOM FEATURE ONLY) | | | |
| CUT-OUT | XDIM | YDIM | DESCRIPTION |
| 1 | 22.411 | 9.286 | GND STUD M6 x 16mm (Inside) |



RIGHT

| | | | |
|--|-----------------------------|----------|-------|
| | Description | Status | |
| | 9412DD 72" x 72" x 24" Body | Released | |
| | Part Number Numéro Pièce | Rev. | |
| | 9412STDD727224B | 0 | 3 / 7 |

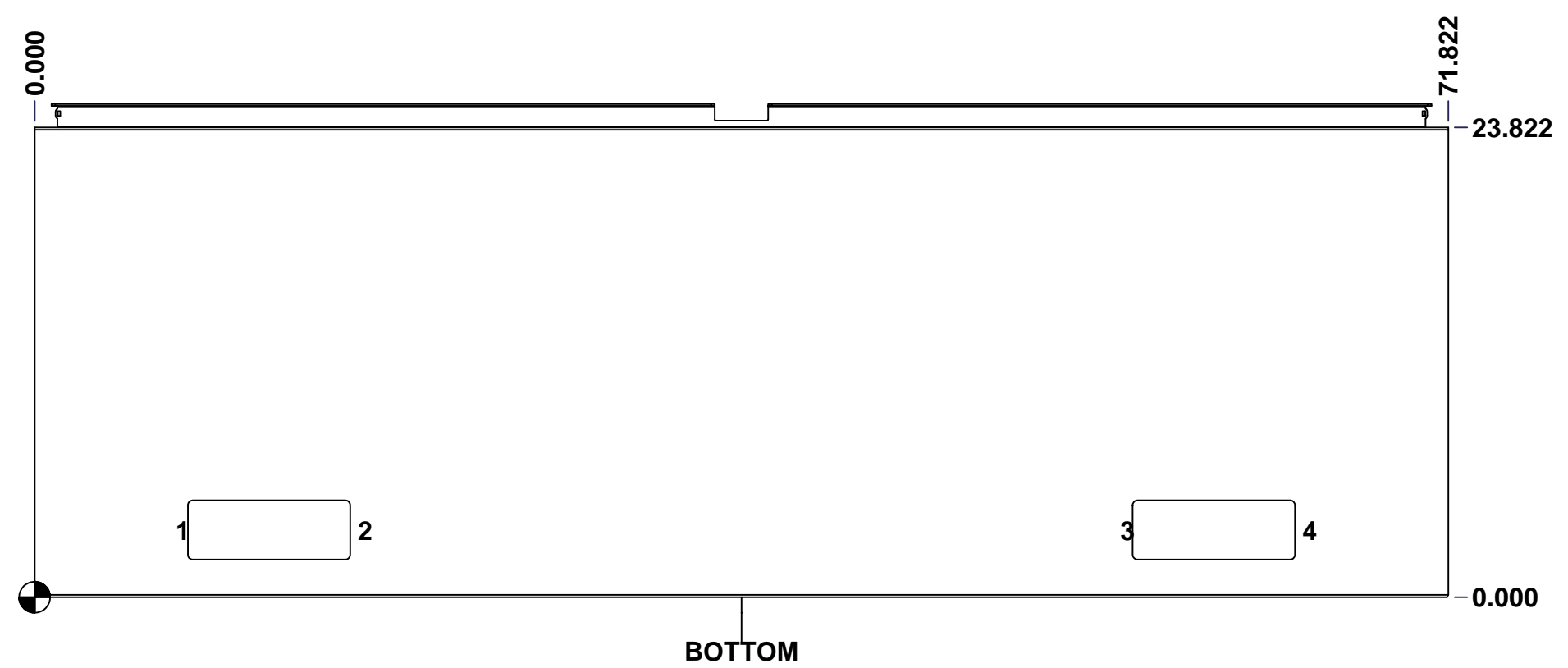
This drawing is confidential and must not be reproduced or used without the consent of EXM

Ce dessin est confidentiel et ne doit pas être reproduit ou utilisé sans le consentement de EXM

STANDARD FEATURES ARE NOT LISTED IN THIS HOLE TABLE

HOLE TABLE - BOTTOM VIEW (CUSTOM FEATURE ONLY)

| CUT-OUT | XDIM | YDIM | DESCRIPTION |
|---------|--------|-------|----------------------------|
| 1 | 7.286 | 3.411 | GP STUD M6 x 16mm (Inside) |
| 2 | 16.536 | 3.411 | GP STUD M6 x 16mm (Inside) |
| 3 | 55.286 | 3.411 | GP STUD M6 x 16mm (Inside) |
| 4 | 64.536 | 3.411 | GP STUD M6 x 16mm (Inside) |

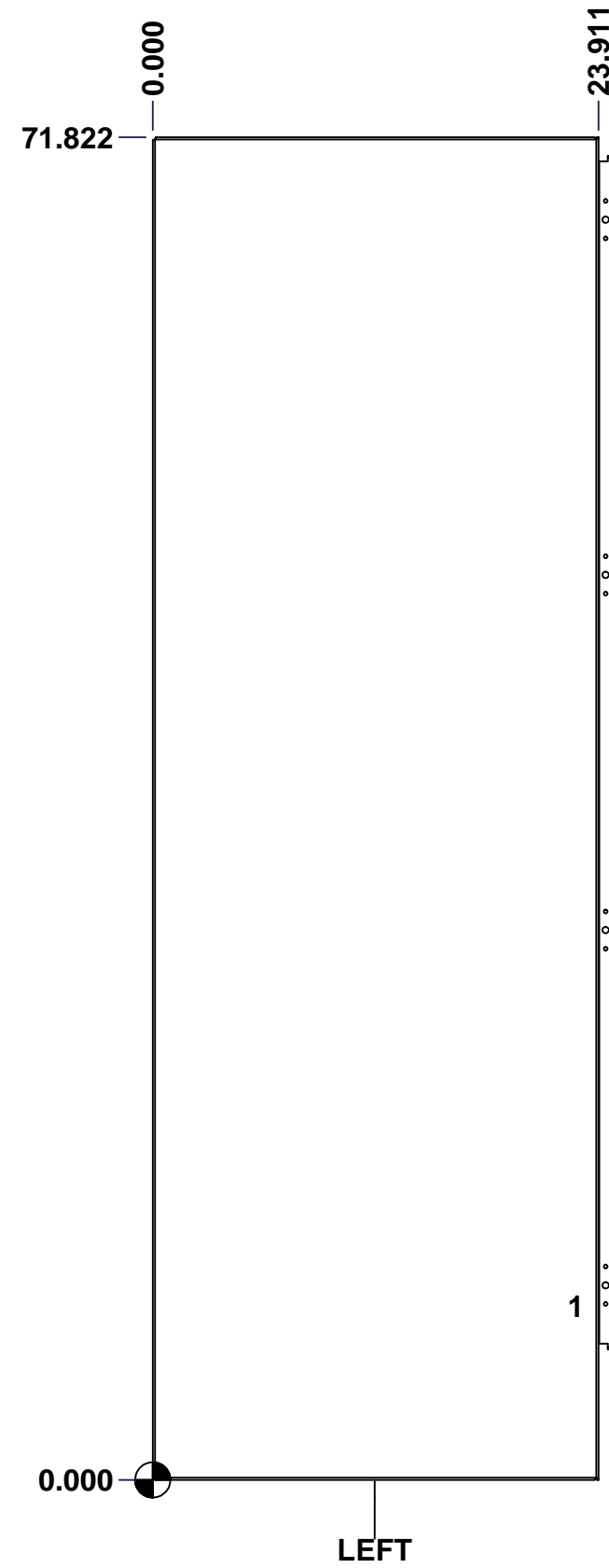


| | | | |
|--|-----------------------------|----------|-------|
| | Description | Status | |
| | 9412DD 72" x 72" x 24" Body | Released | |
| | Part Number Numéro Pièce | Rev. | |
| | 9412STDD727224B | 0 | 4 / 7 |

This drawing is confidential and must not be reproduced or used without the consent of EXM

Ce dessin est confidentiel et ne doit pas être reproduit ou utilisé sans le consentement de EXM

| STANDARD FEATURES ARE NOT LISTED IN THIS HOLE TABLE | | | |
|--|--------|-------|-----------------------------|
| HOLE TABLE - LEFT VIEW (CUSTOM FEATURE ONLY) | | | |
| CUT-OUT | XDIM | YDIM | DESCRIPTION |
| 1 | 22.411 | 9.286 | GND STUD M6 x 16mm (Inside) |



| | | | |
|--|-----------------------------|----------|-------|
| | Description | Status | |
| | 9412DD 72" x 72" x 24" Body | Released | |
| | Part Number Numéro Pièce | Rev. | |
| | 9412STDD727224B | 0 | 5 / 7 |

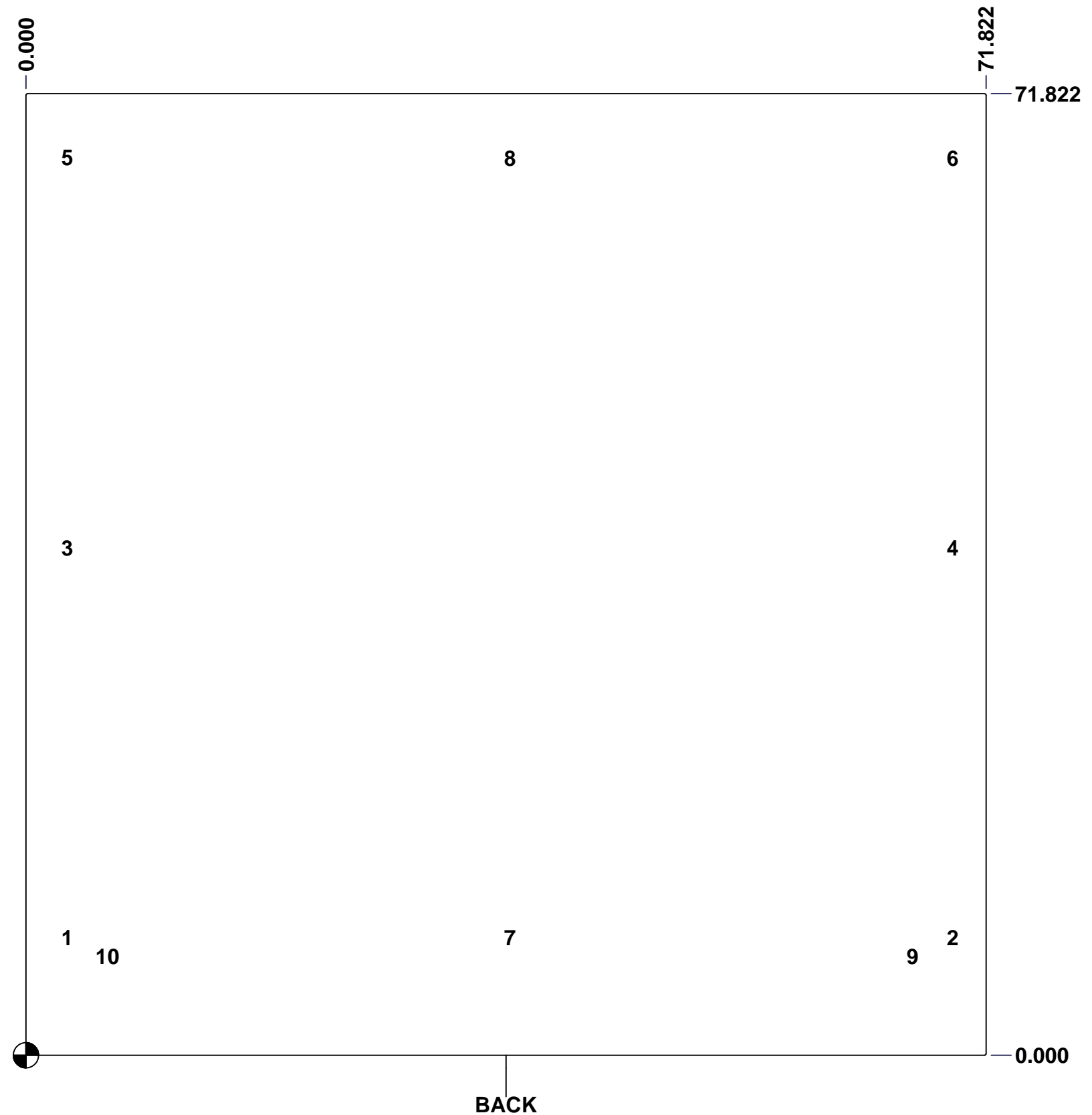
This drawing is confidential and must not be reproduced or used without the consent of EXM

Ce dessin est confidentiel et ne doit pas être reproduit ou utilisé sans le consentement de EXM

STANDARD FEATURES ARE NOT LISTED IN THIS HOLE TABLE

HOLE TABLE - BACK VIEW (CUSTOM FEATURE ONLY)

| CUT-OUT | XDIM | YDIM | DESCRIPTION |
|---------|--------|--------|-----------------------------|
| 1 | 2.786 | 8.786 | IP STUD M10 x 40mm (Inside) |
| 2 | 69.036 | 8.786 | IP STUD M10 x 40mm (Inside) |
| 3 | 2.786 | 37.911 | IP STUD M10 x 40mm (Inside) |
| 4 | 69.036 | 37.911 | IP STUD M10 x 40mm (Inside) |
| 5 | 2.786 | 67.036 | IP STUD M10 x 40mm (Inside) |
| 6 | 69.036 | 67.036 | IP STUD M10 x 40mm (Inside) |
| 7 | 35.911 | 8.786 | IP STUD M10 x 40mm (Inside) |
| 8 | 35.911 | 67.036 | IP STUD M10 x 40mm (Inside) |
| ----- | ----- | ----- | ----- |
| 9 | 66.036 | 7.411 | IP SUPPORT ANGLE (Inside) |
| 10 | 5.786 | 7.411 | IP SUPPORT ANGLE (Inside) |

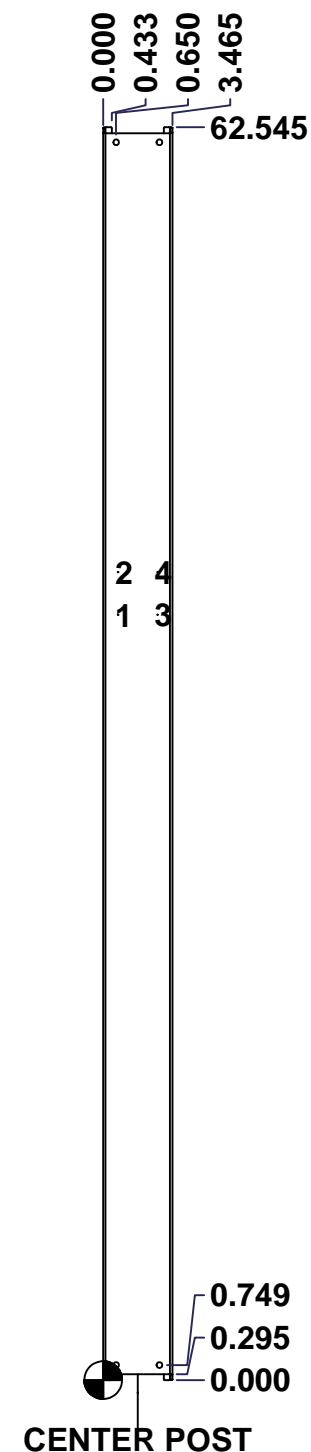


| | | | |
|--|-----------------------------|----------|--------|
| | Description | Status | |
| | 9412DD 72" x 72" x 24" Body | Released | |
| | Part Number Numéro Pièce | Rev. | |
| | 9412STDD727224B | 0 | 6 7 |

This drawing is confidential and must not be reproduced or used without the consent of EXM

Ce dessin est confidentiel et ne doit pas être reproduit ou utilisé sans le consentement de EXM

| STANDARD FEATURES ARE NOT LISTED IN THIS HOLE TABLE | | | |
|---|-------|--------|--------------------------------------|
| HOLE TABLE - CENTER VIEW (CUSTOM FEATURE ONLY) | | | |
| CUT-OUT | XDIM | YDIM | DESCRIPTION |
| 1 | 0.748 | 38.210 | INTERLOCK STUD M6 x 16mm (Inside) |
| 2 | 0.748 | 40.336 | INTERLOCK STUD M6 x 16mm (Inside) |
| 3 | 2.717 | 38.210 | INTERLOCK STUD M6 x 16mm (Inside) |
| 4 | 2.717 | 40.336 | INTERLOCK STUD M6 x 16mm (Inside) |

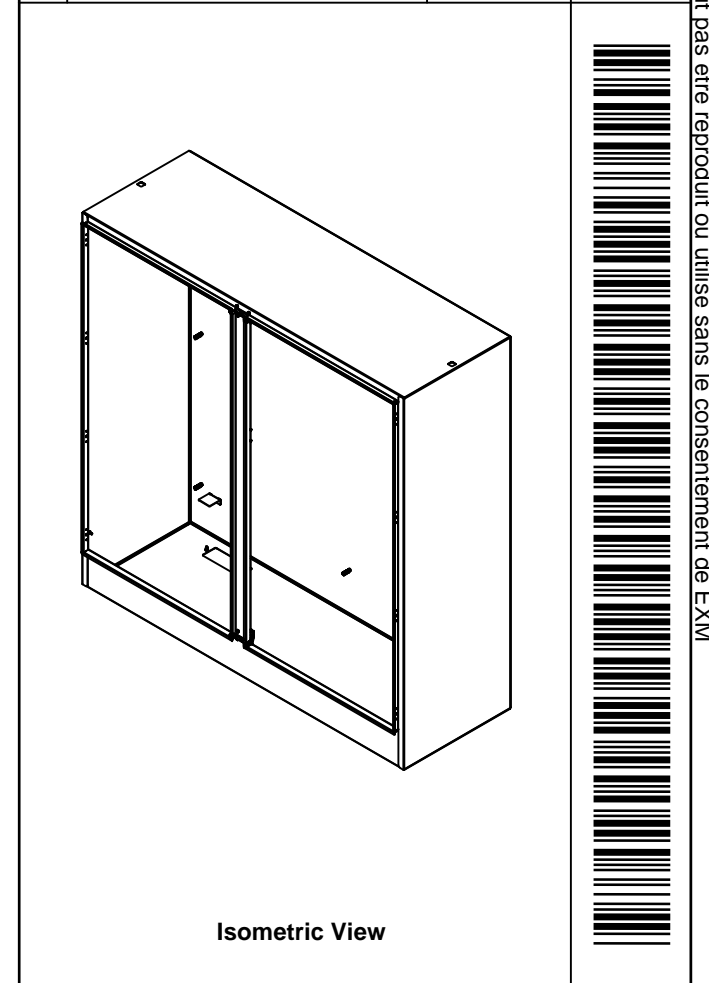


| | | | |
|--|-----------------------------|----------|--------|
| | Description | Status | |
| | 9412DD 72" x 72" x 24" Body | Released | |
| | Part Number Numéro Pièce | Rev. | |
| | 9412STDD727224B | 0 | 6 7 |

This drawing is confidential and must not be reproduced or used without the consent of EXM

Ce dessin est confidentiel et ne doit pas être reproduit ou utilisé sans le consentement de EXM

| No. | Revisions | Date | By/Par |
|-----|-----------|------|--------|
| | | | |
| | | | |
| | | | |
| | | | |
| | | | |

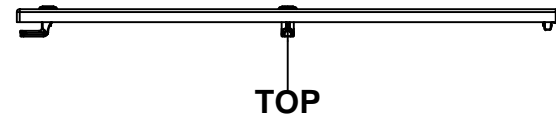


| 6 | STK-Q-16030 | 0 | Stud M6 x 10mm |
|------------|---------------------|-----|---|
| 6 | STK-Q-07220 | 1 | M6 Nylon Insert Lock Nut |
| 2 | 9412STDD727224BPA-P | 0 | 9412DD Inner Panel Support Angle |
| 1 | STK-P-02400S | 0 | Powder Paint (Asa-61 Grey / Smooth) |
| 4 | STK-Q-16055 | 1 | M6 x 18mm Stud (No Paint Cap Required) |
| 1 | STK-A-75454 | 3 | Center Post - Sealing Block with Latch Assembly (Large) |
| 1 | 9412STDD727224CP-P | 0 | 9412DD 72" Center Post Part |
| 8 | STK-Q-16100 | 0 | Stud M10 x 40mm |
| 1 | 9412STDD727224BT-P | 0 | 9412DD 72" x 24" Bottom Part |
| 1 | 9412STDD727224T-P | 0 | 9412DD 72" x 24" Top Part |
| 1 | 9412STDD727224RS-P | 0 | 9412DD 72" x 72" Right Part |
| 1 | 9412STDD727224LS-P | 0 | 9412DD 72" x 72" Left Part |
| 1 | 9412STDD727224B-P | 0 | 9412DD 72" x 72" Back Part |
| 2 | CR400MS_27.5 | 0 | Commercial Roll Mild Steel (27.5in long) |
| 6 | STK-Q-16080 | 0 | Ground Stud M6 x 16mm |
| Qty | Part Number | Rev | Description |
| Parts List | | | |

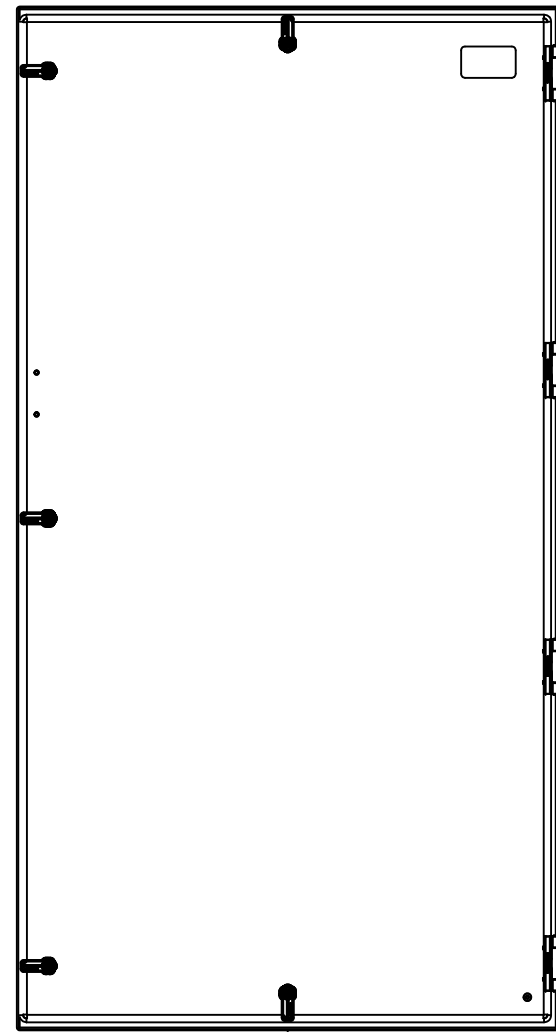
| | |
|---|---|
| <p>Tél: (450) 979-4373 Fax: (450) 979-4626 www.exmweb.com</p> | Flatness Aplatissement |
| | Max 3.0mm |
| Projection | |
| Customer Client | Date |
| Drawn By Dessiné Par | Date 26-Nov-21 |
| Material Matière | 12 Ga Cold Rolled A1008 CS Type B (2.5mm) |
| Color Couleur | Asa-61 Grey |
| Finish Fini | Smooth |
| Description | 9412DD 72" x 72" x 24" Body |
| Part Number Numéro Pièce | Rev. 2 |
| 9412STDD727224B | 0 |

This drawing is confidential and must not be reproduced or used without the consent of EXM

Ce dessin est confidentiel et ne doit pas être reproduit ou utilisé sans le consentement de EXM



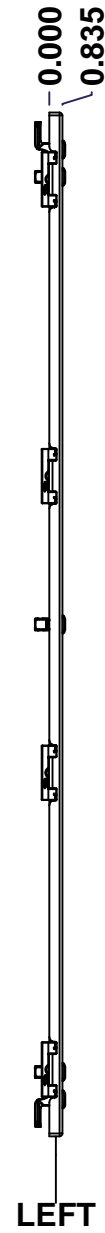
TOP



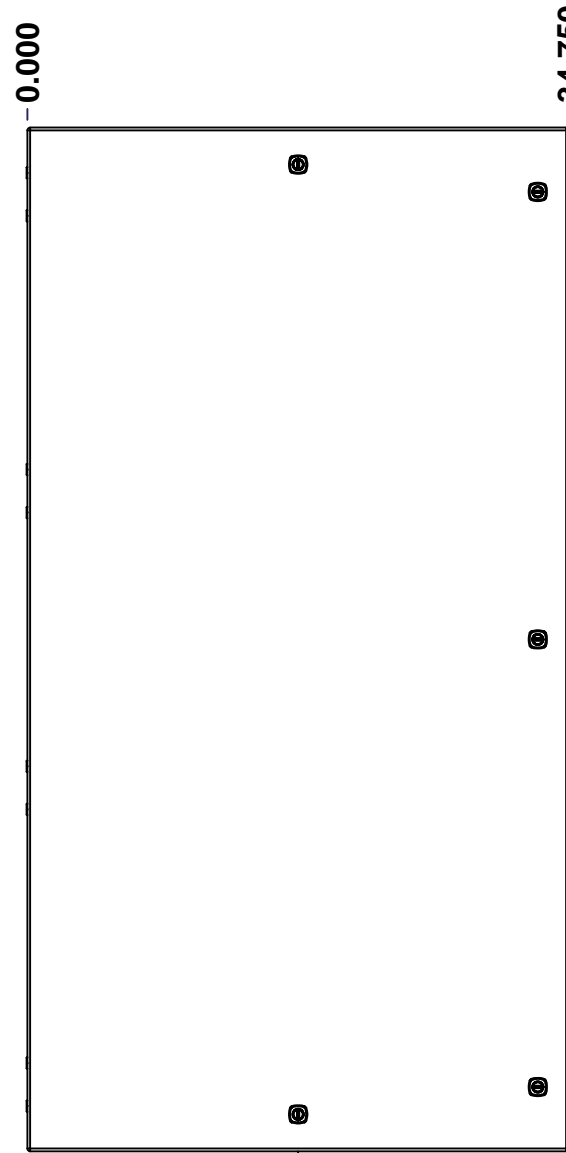
BACK



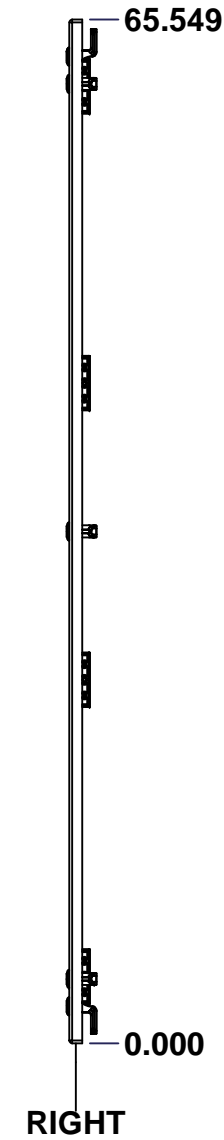
BOTTOM



LEFT

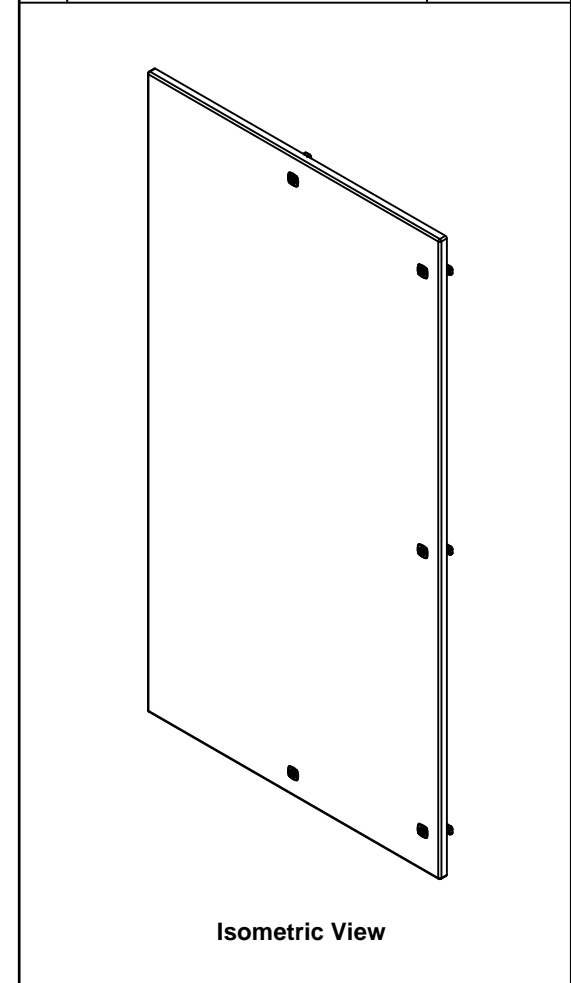


FRONT



RIGHT

| No. | Revisions | Date | By/Par |
|-----|-----------|------|--------|
| | | | |
| | | | |
| | | | |
| | | | |
| | | | |



Isometric View



| | | | |
|--|--|--|-------------|
| Tél: (450) 979-4373 Fax: (450) 979-4626 www.exmweb.com | | Flatness Aplatissement Max 3.0mm Projection | |
| Customer Client | | Date | |
| Drawn By / Dessiné Par: BoxCad: BoxCad | | Date: 26-Nov-21 | |
| Material / Matière: 12 Ga Cold Rolled A1008 CS Type B (2.5mm) | | | |
| Color / Couleur: Asa-61 Grey | | Finish / Fini: Smooth | |
| Description: 9412DD 72" x 72" Slave Door | | | Detail Rev. |
| Part Number / Numéro Pièce: 9412STDD727224LD | | Rev. 0 | 1/3 |

SEE BILL OF MATERIAL ON LAST PAGE

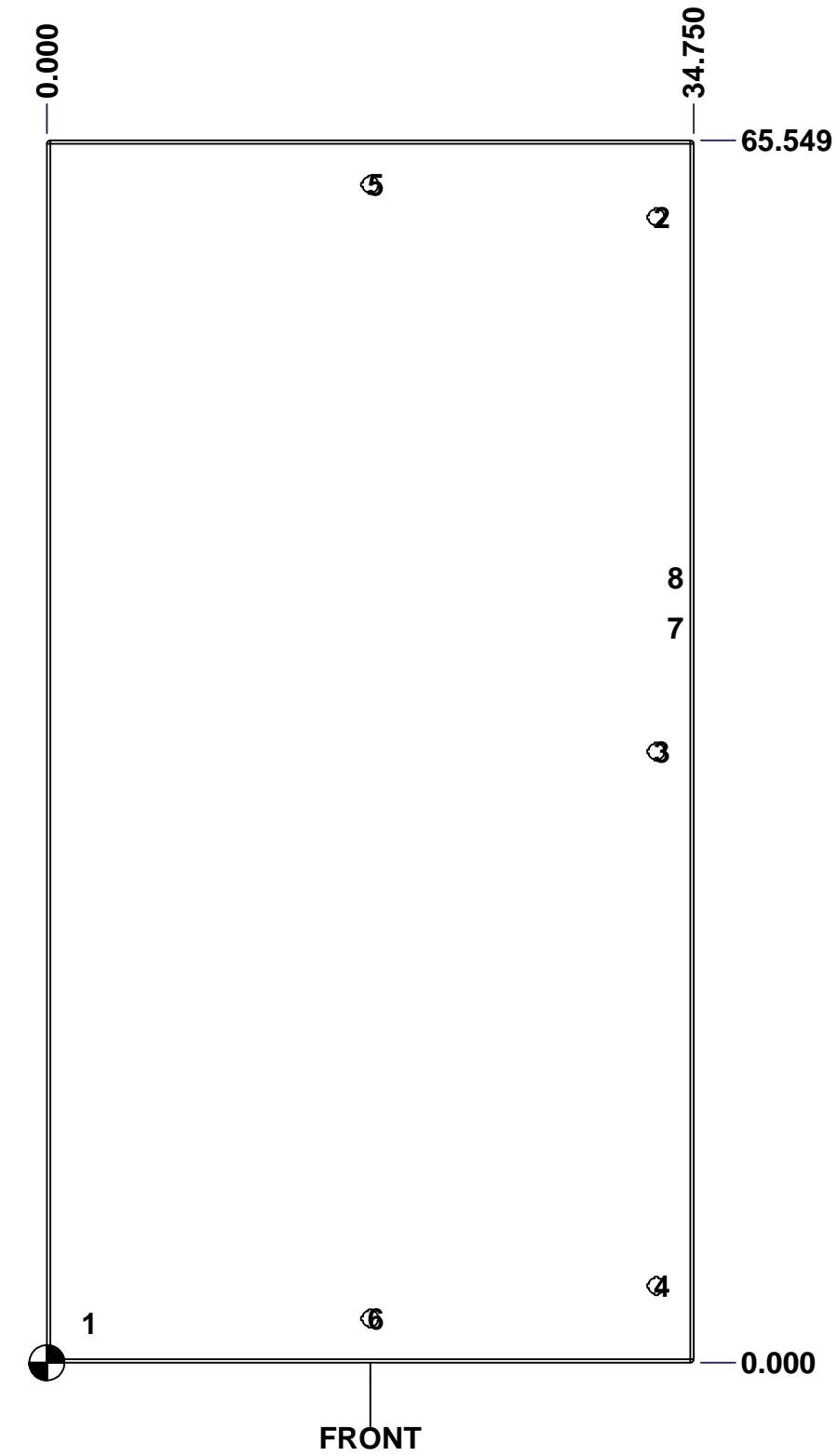
This drawing is confidential and must not be reproduced or used without the consent of EXM

Ce dessin est confidentiel et ne doit pas être reproduit ou utilisé sans le consentement de EXM

STANDARD FEATURES ARE NOT LISTED IN THIS HOLE TABLE

HOLE TABLE - FRONT VIEW (CUSTOM FEATURE ONLY)

| CUT-OUT | XDIM | YDIM | DESCRIPTION |
|---------|--------|--------|-----------------------------|
| 1 | 2.000 | 2.118 | GND STUD M6 x 16mm (Inside) |
| 2 | 32.750 | 61.430 | LOCK 889 SCQ4-SL @ 0.0° |
| 3 | 32.750 | 32.774 | LOCK 889 SCQ4-SL @ 0.0° |
| 4 | 32.750 | 4.118 | LOCK 889 SCQ4-SL @ 0.0° |
| 5 | 17.375 | 63.180 | LOCK 889 SCQ4-SL @ 90.0° |
| 6 | 17.375 | 2.368 | LOCK 889 SCQ4-SL @ 270.0° |
| 7 | 33.489 | 39.435 | STUDS M6 x 18mm (Inside) |
| 8 | 33.489 | 42.113 | STUDS M6 x 18mm (Inside) |



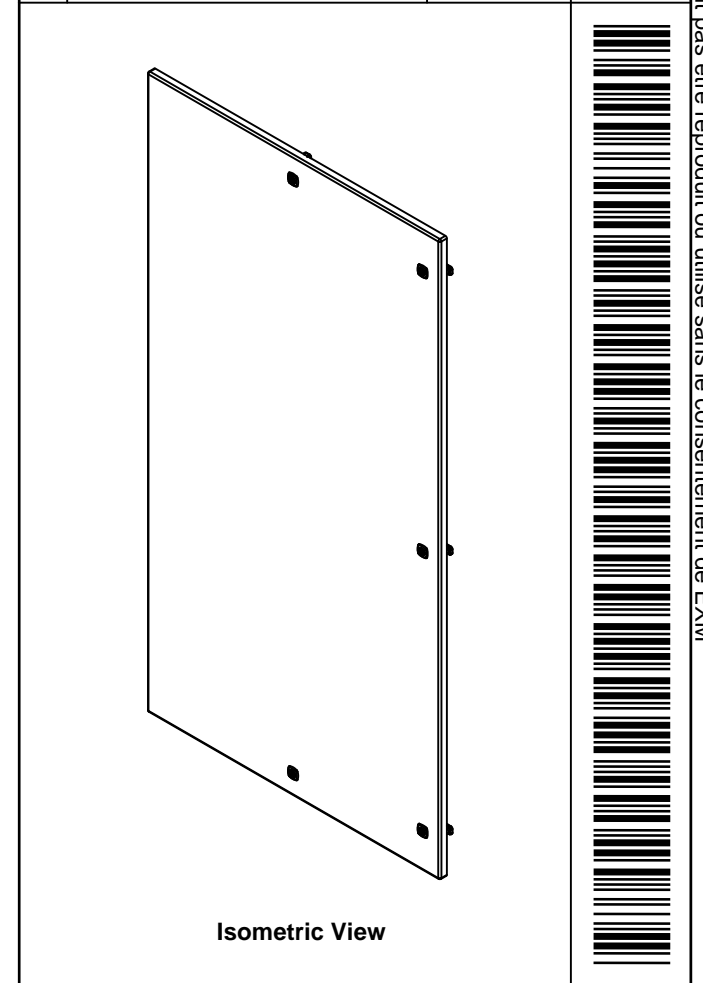
FRONT


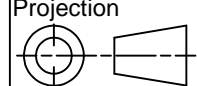
| | | |
|--|-----------------------------|----------|
| | Description | Status |
| | 9412DD 72" x 72" Slave Door | (NULL) |
| | Part Number Numéro Pièce | Rev. |
| | 9412STDD727224LD | 0 |
| | | 2 |
| | | 3 |

This drawing is confidential and must not be reproduced or used without the consent of EXM

Ce dessin est confidentiel et ne doit pas être reproduit ou utilisé sans le consentement de EXM

| No. | Revisions | Date | By/Par |
|-----|-----------|------|--------|
| | | | |
| | | | |
| | | | |
| | | | |
| | | | |



| | | |
|--|---|---|
|  Tél: (450) 979-4373 Fax: (450) 979-4626 www.exmweb.com | | Flatness Aplatissement Max 3.0mm Projection  |
| Customer Client | Date | Date |
| Drawn By Dessiné Par | BoxCad: BoxCad | Date 26-Nov-21 |
| Material Matière | 12 Ga Cold Rolled A1008 CS Type B (2.5mm) | |
| Color Couleur | Asa-61 Grey | Finish Fini Smooth |
| Description | 9412DD 72" x 72" Slave Door | |
| Part Number Numéro Pièce | Rev. 0 | 3 |
| 9412STDD727224LD | | 3 |

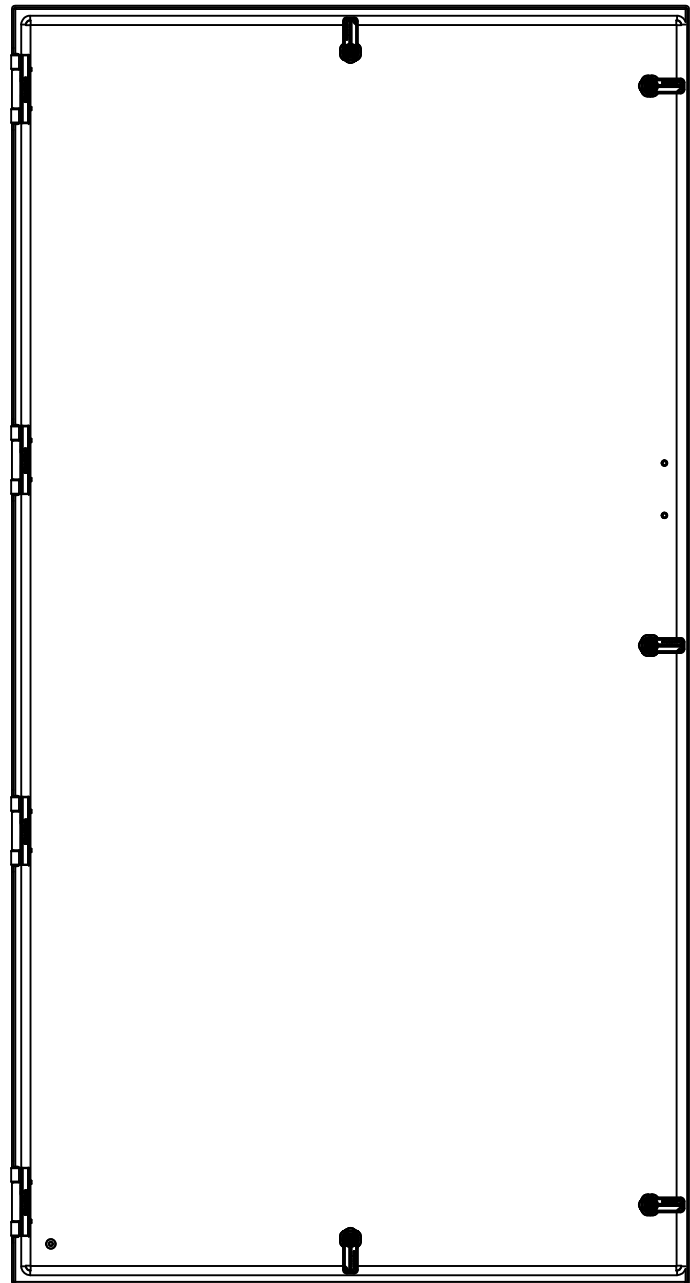
| Qty | Part Name | Rev | Description |
|------------|--------------------|-----|--|
| 2 | STK-Q-16055 | 1 | M6 x 18mm Stud (No Paint Cap Required) |
| 1 | 9412STDD727224DG | 0 | 9412DD 72" x 72" Door Gasket |
| 1 | STK-Q-16080 | 0 | Ground Stud M6 x 16mm |
| 1 | STK-P-02400S | 0 | Powder Paint (Asa-61 Grey / Smooth) |
| 1 | STK-S-00100 | 0 | 3.5" x 2" Silver Milar Flexcon Sticker |
| 1 | 9412STDD727224LD-P | 0 | 9412DD 72" x 72" Slave Door Part |
| 4 | STK-K-09860 | 7 | Cabinet Hinge with Captive Pins |
| 5 | STK-K-12580 | 0 | 9412 1/4 Turn Lock |
| Parts List | | | |

This drawing is confidential and must not be reproduced or used without the consent of EXM

Ce dessin est confidentiel et ne doit pas être reproduit ou utilisé sans le consentement de EXM



TOP

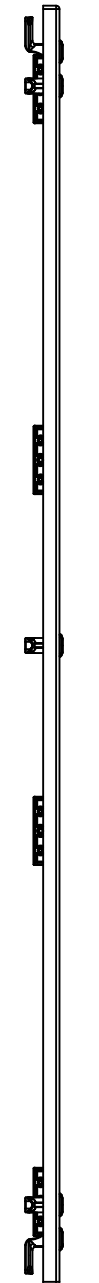


BACK



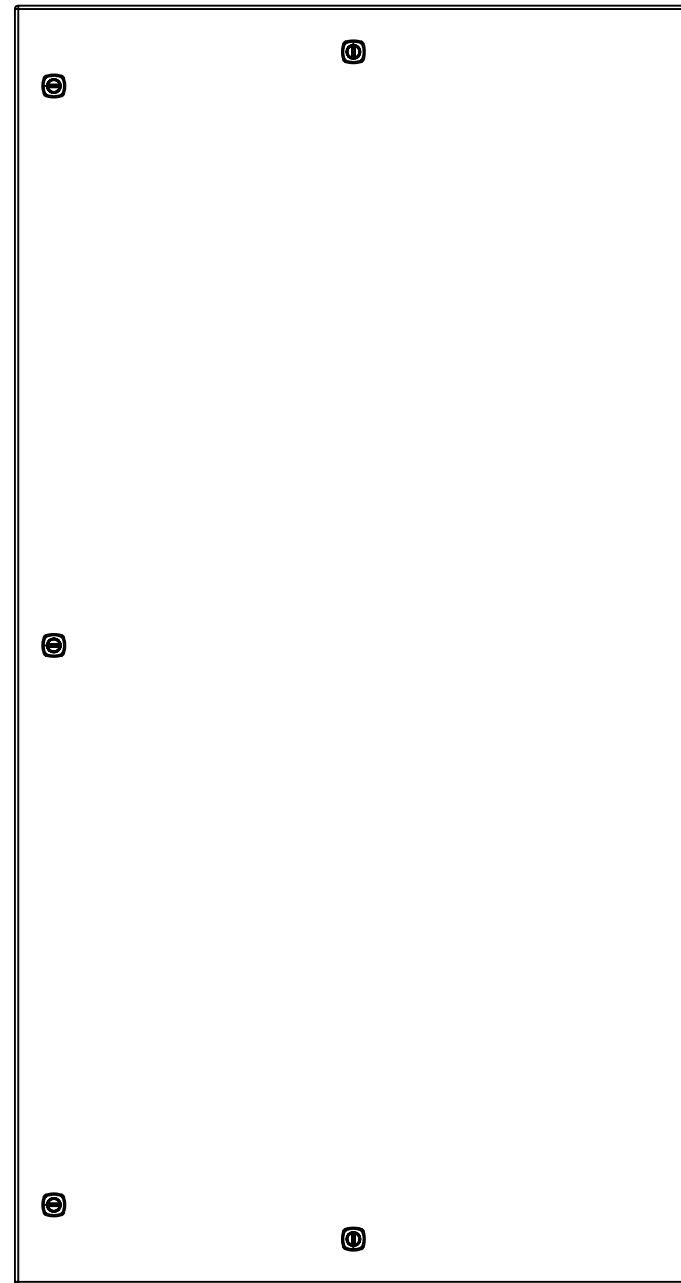
BOTTOM

0.000
0.835



LEFT

34.750



FRONT

0.000

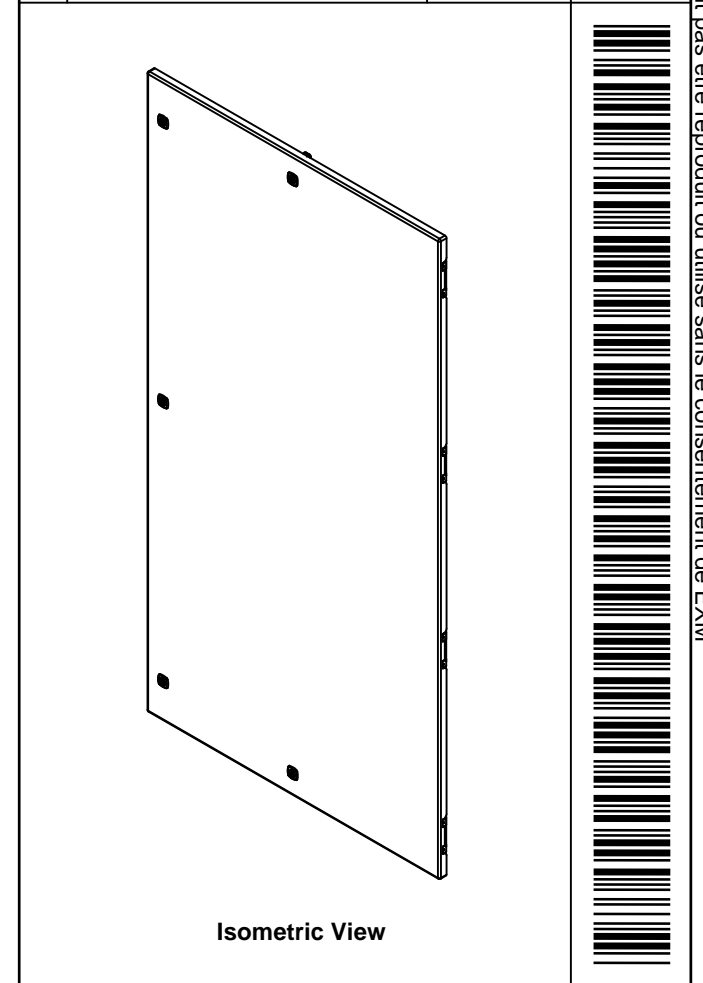
65.549



RIGHT

0.000

| No. | Revisions | Date | By/Par |
|-----|-----------|------|--------|
| | | | |
| | | | |
| | | | |
| | | | |



| | | | |
|--|--|---------------------------|-------------|
| Tél: (450) 979-4373 Fax: (450) 979-4626 www.exmweb.com | | Flatness Aplatissement | |
| | | Max 3.0mm | |
| Customer Client | | Date | |
| Drawn By Dessiné Par BoxCad: BoxCad | | Date 26-Nov-21 | |
| Material Matière 12 Ga Cold Rolled A1008 CS Type B (2.5mm) | | | |
| Color Couleur Asa-61 Grey | | Finish Fini Smooth | |
| Description 9412DD 72" x 72" Master Door | | | Detail Rev. |
| Part Number Numéro Pièce 9412STDD727224FD | | Rev. 0 | 1 3 |

SEE BILL OF MATERIAL ON LAST PAGE

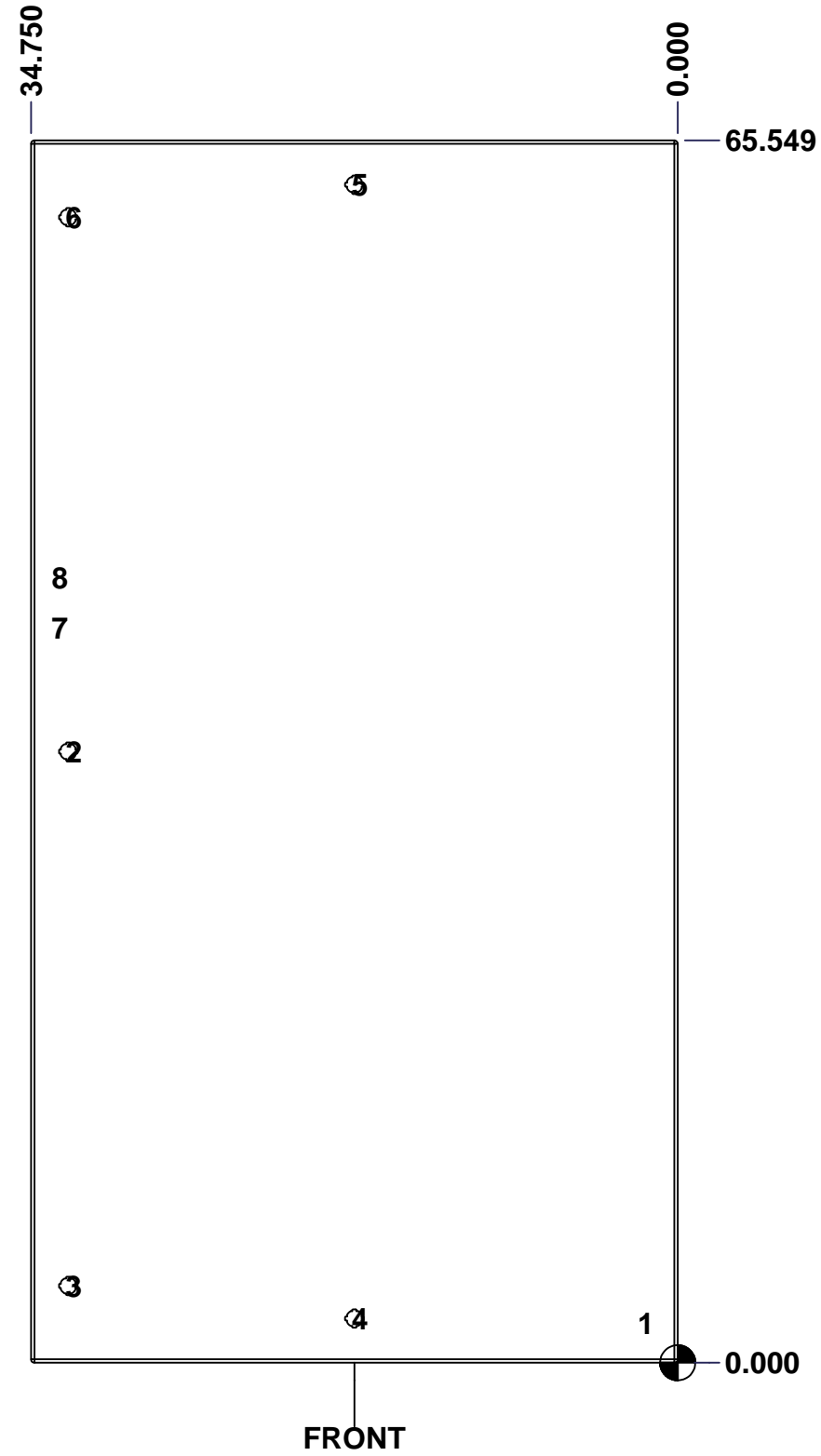
This drawing is confidential and must not be reproduced or used without the consent of EXM

Ce dessin est confidentiel et ne doit pas être reproduit ou utilisé sans le consentement de EXM

STANDARD FEATURES ARE NOT LISTED IN THIS HOLE TABLE

HOLE TABLE - FRONT VIEW (CUSTOM FEATURE ONLY)

| CUT-OUT | XDIM | YDIM | DESCRIPTION |
|---------|--------|--------|-----------------------------|
| 1 | 2.000 | 2.118 | GND STUD M6 x 16mm (Inside) |
| 2 | 32.750 | 32.774 | LOCK 889 SCQ4-SL @ 180.0° |
| 3 | 32.750 | 4.118 | LOCK 889 SCQ4-SL @ 180.0° |
| 4 | 17.375 | 2.368 | LOCK 889 SCQ4-SL @ 270.0° |
| 5 | 17.375 | 63.180 | LOCK 889 SCQ4-SL @ 90.0° |
| 6 | 32.750 | 61.430 | LOCK 889 SCQ4-SL @ 180.0° |
| 7 | 33.489 | 39.435 | STUDS M6 x 18mm (Inside) |
| 8 | 33.489 | 42.113 | STUDS M6 x 18mm (Inside) |

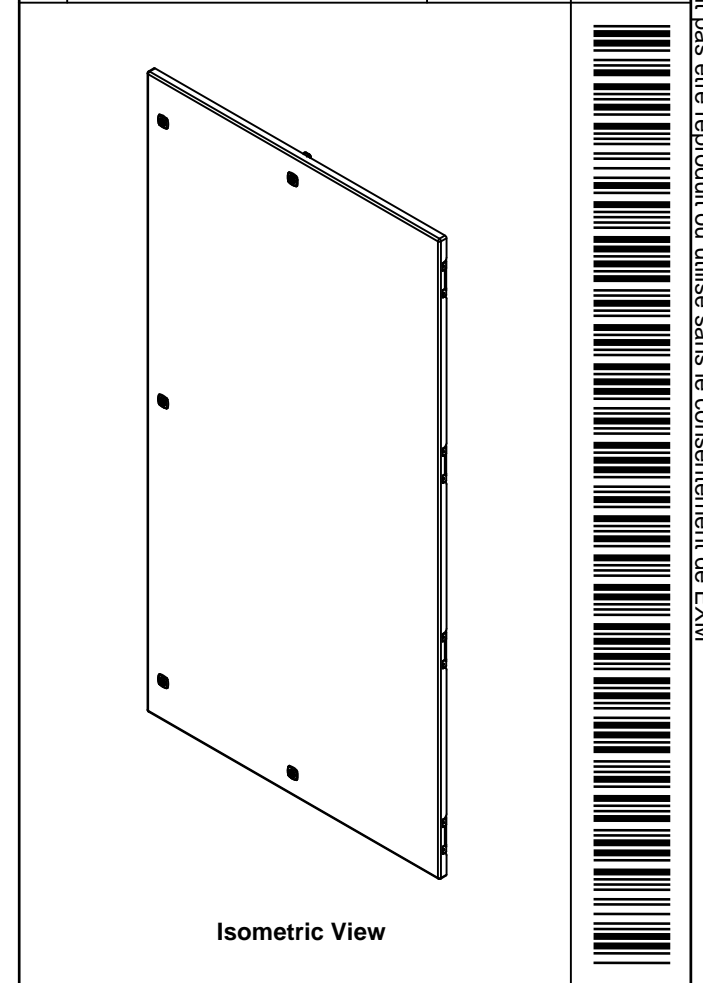


| | | |
|--|------------------------------|----------|
| | Description | Status |
| | 9412DD 72" x 72" Master Door | (NULL) |
| | Part Number Numéro Pièce | Rev. |
| | 9412STDD727224FD | 0 |
| | | 2 |
| | | 3 |

This drawing is confidential and must not be reproduced or used without the consent of EXM

Ce dessin est confidentiel et ne doit pas être reproduit ou utilisé sans le consentement de EXM

| No. | Revisions | Date | By/Par |
|-----|-----------|------|--------|
| | | | |
| | | | |
| | | | |
| | | | |
| | | | |



| | | |
|--|-----------------------|---------------------------|
| Tél: (450) 979-4373 Fax: (450) 979-4626 www.exmweb.com | | Flatness Aplatissement |
| | | Max 3.0mm |
| Customer Client | | Date |
| Drawn By Dessiné Par BoxCad: BoxCad | | Date 26-Nov-21 |
| Material Matière 12 Ga Cold Rolled A1008 CS Type B (2.5mm) | | |
| Color Couleur Asa-61 Grey | Finish Fini Smooth | |
| Description 9412DD 72" x 72" Master Door | | Detail Rev. |
| Part Number Numéro Pièce 9412STDD727224FD | | Rev. 3 |

| Qty | Part Name | Rev | Description |
|------------|--------------------|-----|--|
| 2 | STK-Q-16055 | 1 | M6 x 18mm Stud (No Paint Cap Required) |
| 1 | 9412STDD727224DG | 0 | 9412DD 72" x 72" Door Gasket |
| 1 | STK-Q-16080 | 0 | Ground Stud M6 x 16mm |
| 1 | STK-P-02400S | 0 | Powder Paint (Asa-61 Grey / Smooth) |
| 1 | 9412STDD727224FD-P | 0 | 9412DD 72" x 72" Master Door Part |
| 4 | STK-K-09860 | 7 | Cabinet Hinge with Captive Pins |
| 5 | STK-K-12580 | 0 | 9412 1/4 Turn Lock |
| Parts List | | | |