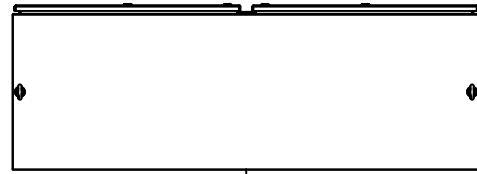
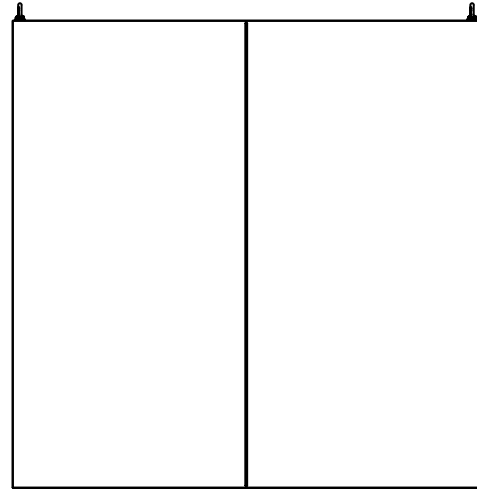


This drawing is confidential and must not be reproduced or used without the consent of EXM

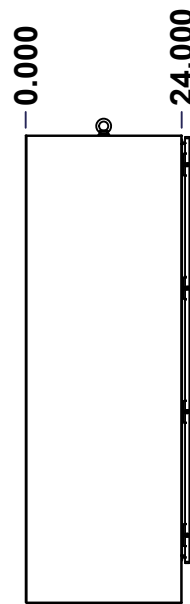
Ce dessin est confidentiel et ne doit pas être reproduit ou utilisé sans le consentement de EXM



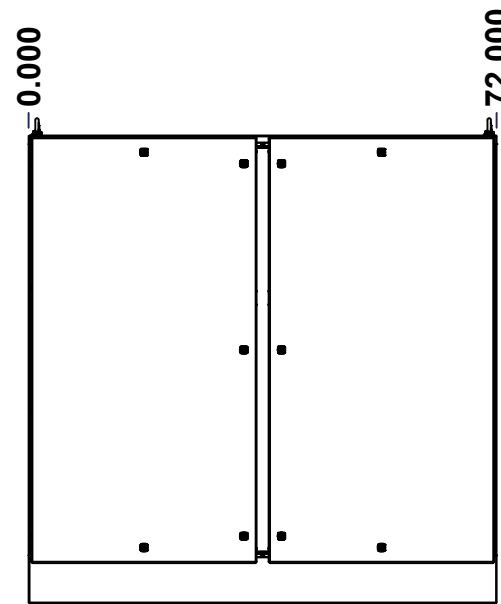
TOP



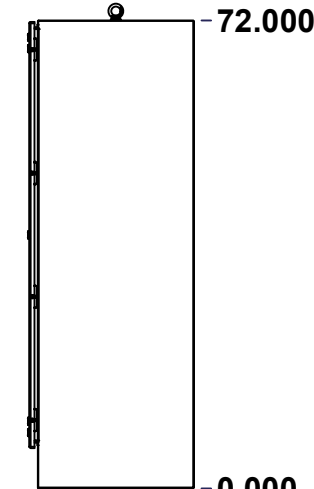
BACK



LEFT



FRONT

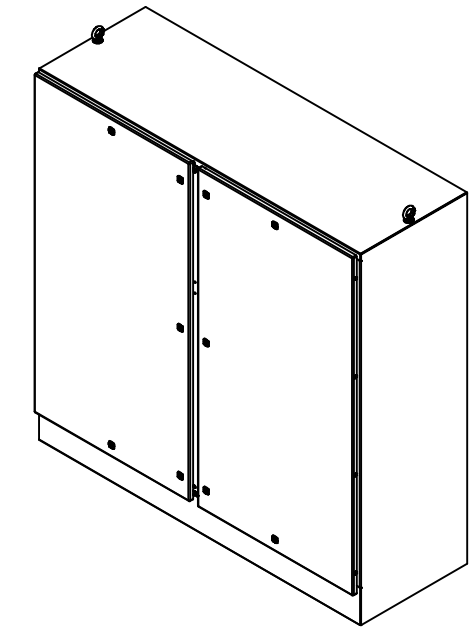


RIGHT



BOTTOM

No.	Revisions	Date	By/Par


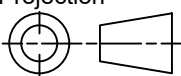


Isometric View



**GRAIN DIRECTION:
TOP/BOTTOM: HORIZONTAL
LEFT/RIGHT/BACK/FRONT: VERTICAL**

SEE BILL OF MATERIAL ON LAST PAGE

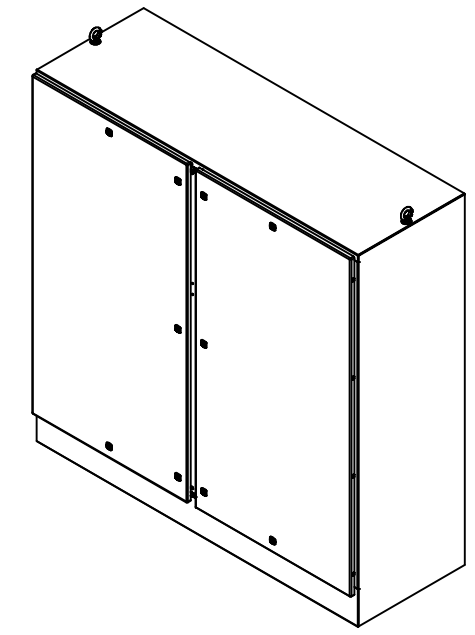
 Tél: (450) 979-4373 Fax: (450) 979-4626 www.exmweb.com		Flatness Aplatissement Max 3.0mm Projection 
Customer Client	Date	
Drawn By Dessiné Par	BoxCad: BoxCad	Date 12-Jan-25
Material Matière	12 Ga Stainless Steel 304 (2.5mm)	
Color Couleur	Unpainted	Finish Fini Brushed
Description	Detail Rev.	
9412SSDD 72" x 72" x 24" Assembly		
Part Number Numéro Pièce	Rev.	1
9412STSSDD727224	0	16

This drawing is confidential and must not be reproduced or used without the consent of EXM

Ce dessin est confidentiel et ne doit pas être reproduit ou utilisé sans le consentement de EXM

NOTE	
ITEM	DESCRIPTION
1	NEMA 4X Enclosure (IP66)
2	C/W Standard ground studs on box and cover
3	W/O Standard door stiffener
4	W/O Inner panel
5	C/W Standard inner panel mounting studs
6	C/W Eyebolts sold separately (Installed by EXM)
7	C/W Struts installed (Included)
8	C/W Interlock Kit (Installed by EXM)

No.	Revisions	Date	By/Par



Isometric View

PACKING		
ITEM	QTY	DESCRIPTION
Cardboard sleeve	2	Top and Bottom
Cardboard strip	2	Between back of enclosure and inner panel
Plastic bag	1	To protect cover surface and inside gasket
Cardboard corner	4	To reinforced for the plastic strap tightening
Plastic strap - Black	2	To Squeeze 2 cardboard sleeve together
Packaging label	3	White label with PN
Plastic strap- Green	2	To secure the enclosure to the wood pallet
Wood Pallet	1	2" deeper and 3" larger than enclosure size

1	880INT1	4	880 INT1 - Interlock Post Kit
1	880EB14SS	2	Stainless Steel Eye Bolt M14 (Pack of 2)
1	9412STSSDD727224FD	0	9412SSDD 72" x 72" Flange Door
1	9412STSSDD727224LD	0	9412SSDD 72" x 72" Lock Door
1	9412STSSDD727224B	0	9412SSDD 72" x 72" x 24" Body
2	9412STSSDD727224GP	0	9412SSDD Gland Plate
8	STK-Q-04051-07	8	M6 x 7mm Stainless Steel Hexagon Socket Head Machine Screw with Nyseal
Qty	Part Number	Rev	Description
Parts List			

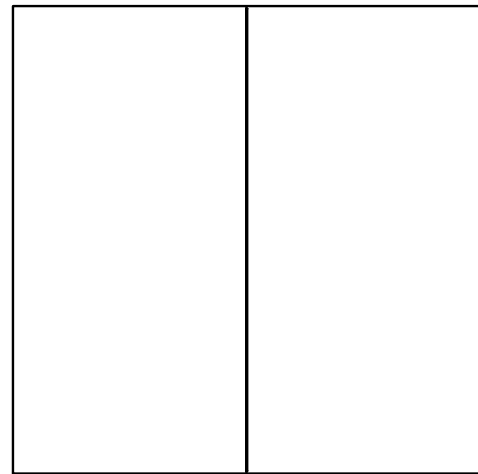
	Tél: (450) 979-4373 Fax: (450) 979-4626 www.exmweb.com	Flatness Aplatissement Max 3.0mm
	Projection	
Customer Client	Date	
Drawn By Dessiné Par	BoxCad: BoxCad	Date 12-Jan-25
Material Matière	12 Ga Stainless Steel 304 (2.5mm)	
Color Couleur	Unpainted	Finish Fini Brushed
Description	9412SSDD 72" x 72" x 24" Assembly	
Part Number Numéro Pièce	9412STSSDD727224	Detail Rev. Rev. 2
		0 16

This drawing is confidential and must not be reproduced or used without the consent of EXM

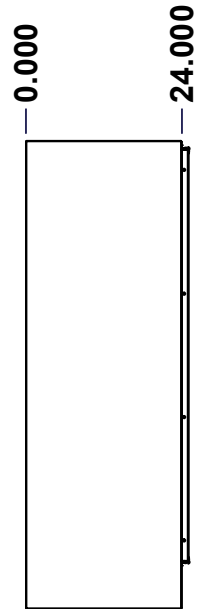
Ce dessin est confidentiel et ne doit pas être reproduit ou utilisé sans le consentement de EXM



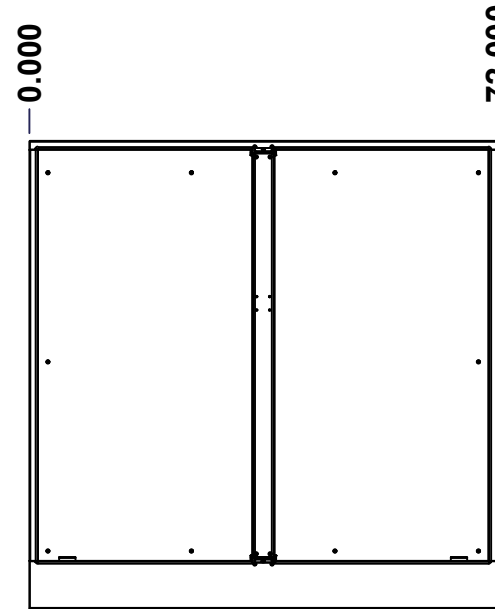
TOP



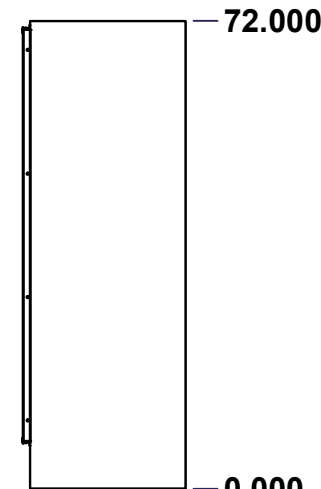
BACK



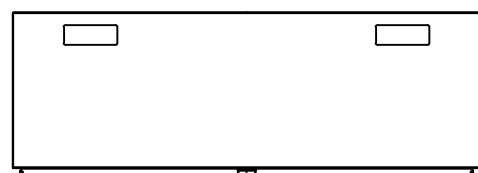
LEFT



FRONT

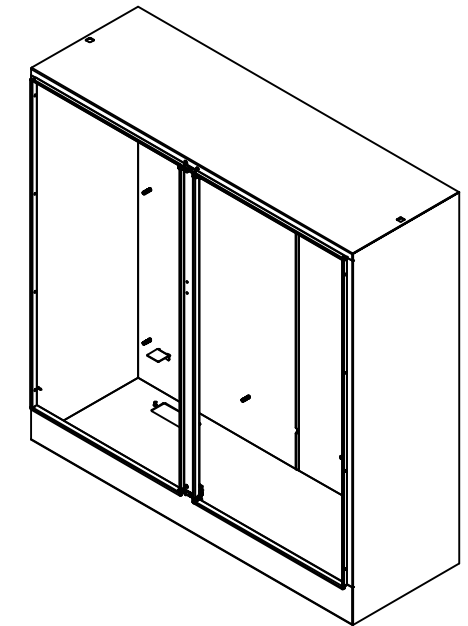


RIGHT



BOTTOM

No.	Revisions	Date	By/Par



Isometric View



Tél: (450) 979-4373
 Fax: (450) 979-4626
www.exmweb.com

Flatness
Aplatissement

Max 3.0mm

Projection



Customer Client	Date
Drawn By Dessiné Par BoxCad: BoxCad	Date 12-Jan-25
Material Matière 12 Ga Stainless Steel 304 (2.5mm)	
Color Couleur Unpainted	Finish Fini Brushed
Description 9412SSDD 72" x 72" x 24" Body	Detail Rev.
Part Number Numéro Pièce 9412STSSDD727224B	Rev. 0

SEE BILL OF MATERIAL ON LAST PAGE

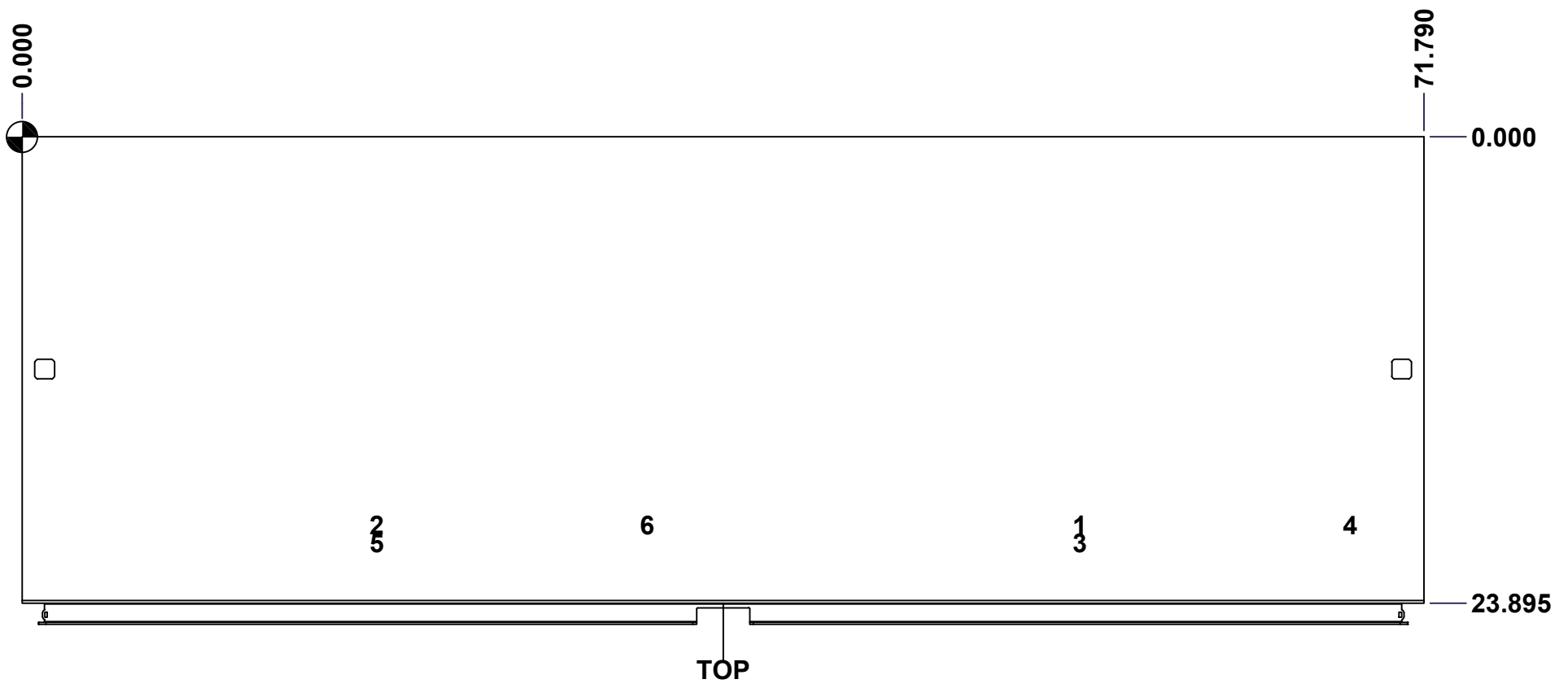
This drawing is confidential and must not be reproduced or used without the consent of EXM

Ce dessin est confidentiel et ne doit pas être reproduit ou utilisé sans le consentement de EXM

STANDARD FEATURES ARE NOT LISTED IN THIS HOLE TABLE

HOLE TABLE - TOP VIEW (CUSTOM FEATURE ONLY)

CUT-OUT	XDIM	YDIM	DESCRIPTION
1	53.895	19.895	Struts CR400 27.500" (Inside)
2	17.895	19.895	Struts CR400 27.500" (Inside)
3	53.895	20.824	STUDS M6 x 10mm (Inside)
4	67.761	19.895	STUDS M6 x 10mm (Inside)
5	17.895	20.824	STUDS M6 x 10mm (Inside)
6	31.761	19.895	STUDS M6 x 10mm (Inside)



	Description	Status
	9412SSDD 72" x 72" x 24" Body	(NULL)
Part Number Numéro Pièce 9412STSSDD727224B	Rev.	4
	0	16

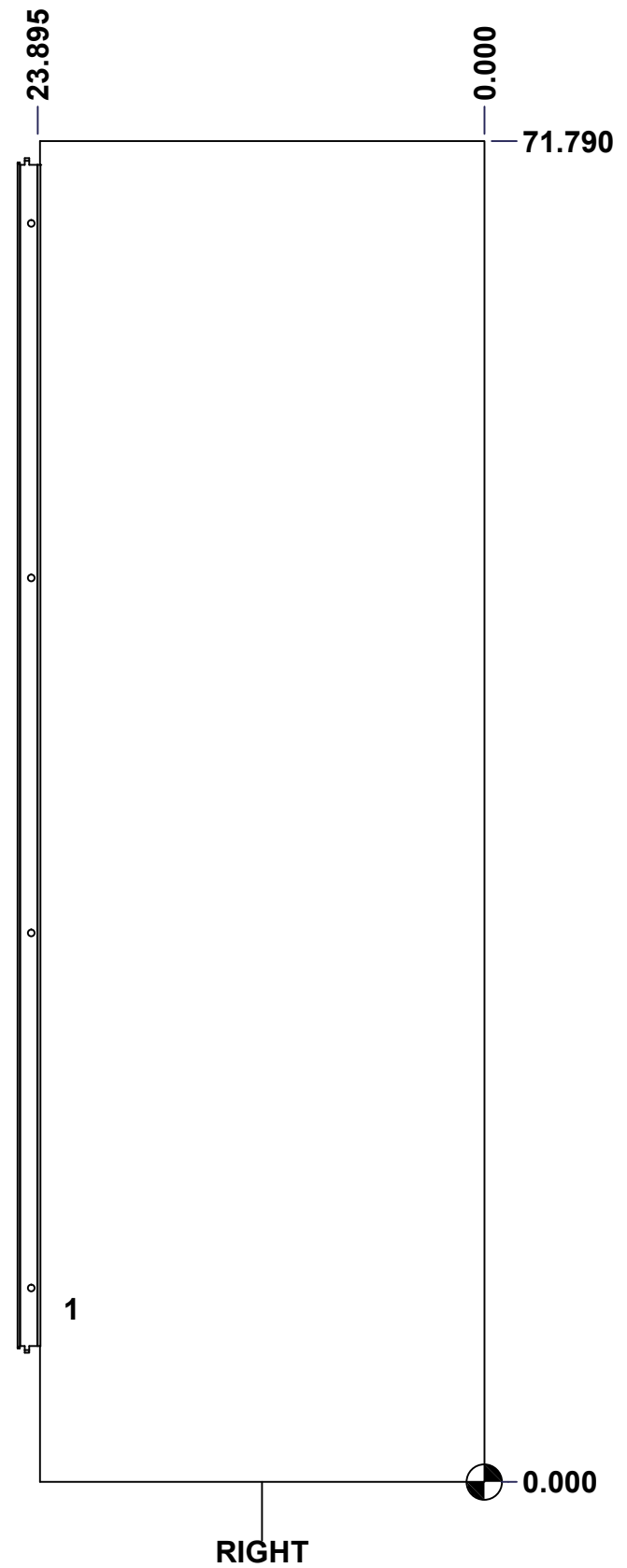
This drawing is confidential and must not be reproduced or used without the consent of EXM

Ce dessin est confidentiel et ne doit pas être reproduit ou utilisé sans le consentement de EXM

STANDARD FEATURES ARE NOT LISTED IN THIS HOLE TABLE

HOLE TABLE - RIGHT VIEW (CUSTOM FEATURE ONLY)

CUT-OUT	XDIM	YDIM	DESCRIPTION
1	22.395	9.270	GND STUD M6 x 16mm (Inside)

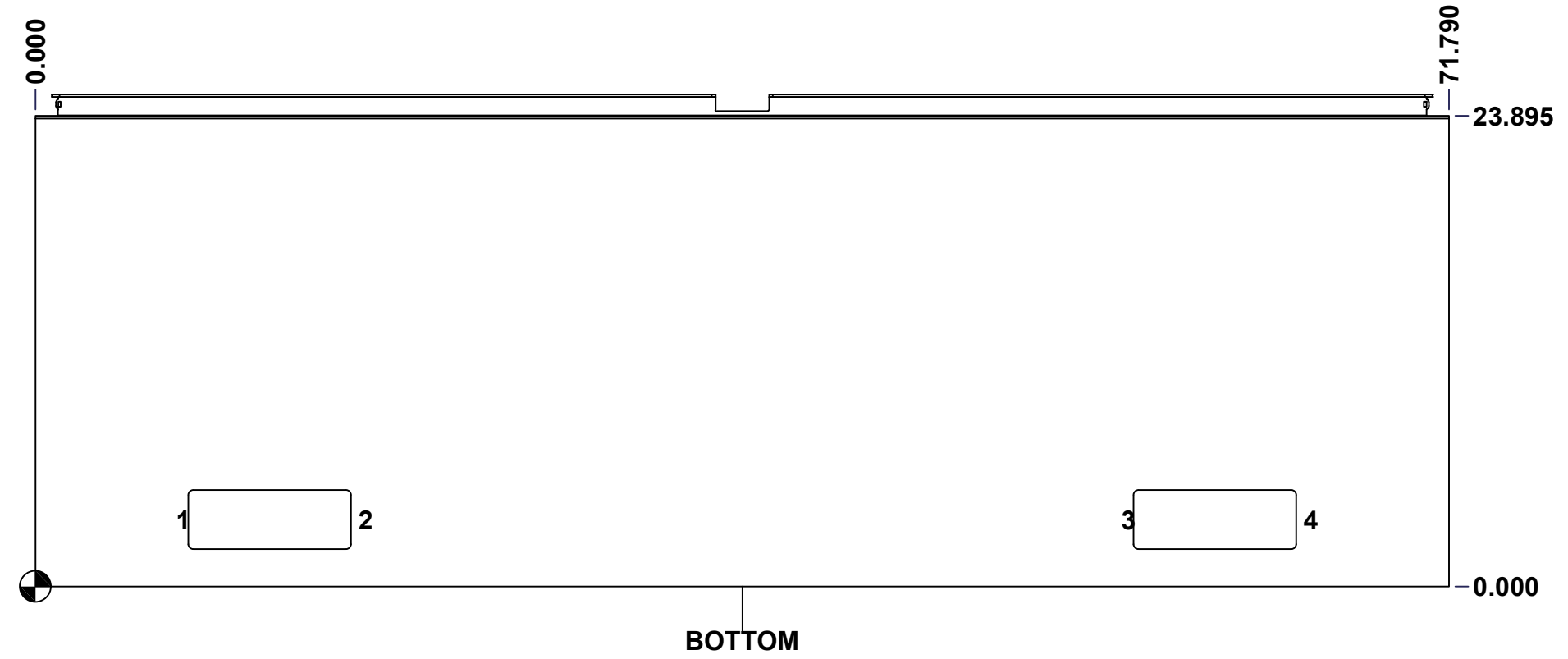


	Description	Status
	9412SSDD 72" x 72" x 24" Body	(NULL)
Part Number Numéro Pièce 9412STSSDD727224B	Rev.	5
	0	16

This drawing is confidential and must not be reproduced or used without the consent of EXM

Ce dessin est confidentiel et ne doit pas être reproduit ou utilisé sans le consentement de EXM

STANDARD FEATURES ARE NOT LISTED IN THIS HOLE TABLE			
HOLE TABLE - BOTTOM VIEW (CUSTOM FEATURE ONLY)			
CUT-OUT	XDIM	YDIM	DESCRIPTION
1	7.270	3.395	GP STUD M6 x 16mm (Inside)
2	16.520	3.395	GP STUD M6 x 16mm (Inside)
3	55.270	3.395	GP STUD M6 x 16mm (Inside)
4	64.520	3.395	GP STUD M6 x 16mm (Inside)



	Description	Status
	9412SSDD 72" x 72" x 24" Body	(NULL)
Part Number Numéro Pièce	9412STSSDD727224B	Rev. 6
		0
		16

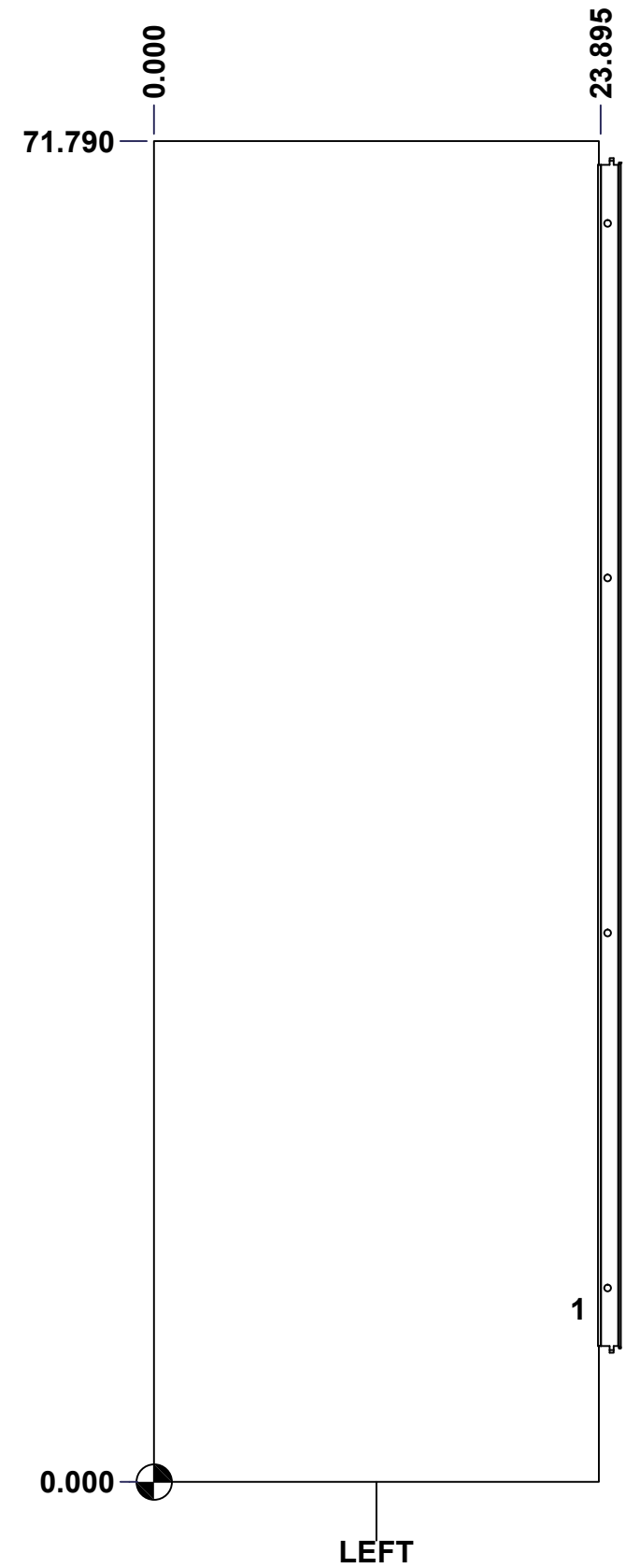
This drawing is confidential and must not be reproduced or used without the consent of EXM

Ce dessin est confidentiel et ne doit pas être reproduit ou utilisé sans le consentement de EXM

STANDARD FEATURES ARE NOT LISTED IN THIS HOLE TABLE

HOLE TABLE - LEFT VIEW (CUSTOM FEATURE ONLY)

CUT-OUT	XDIM	YDIM	DESCRIPTION
1	22.395	9.270	GND STUD M6 x 16mm (Inside)



	Description	Status
	9412SSDD 72" x 72" x 24" Body	(NULL)
	Part Number Numéro Pièce	Rev.
	9412STSSDD727224B	0 / 7
		16

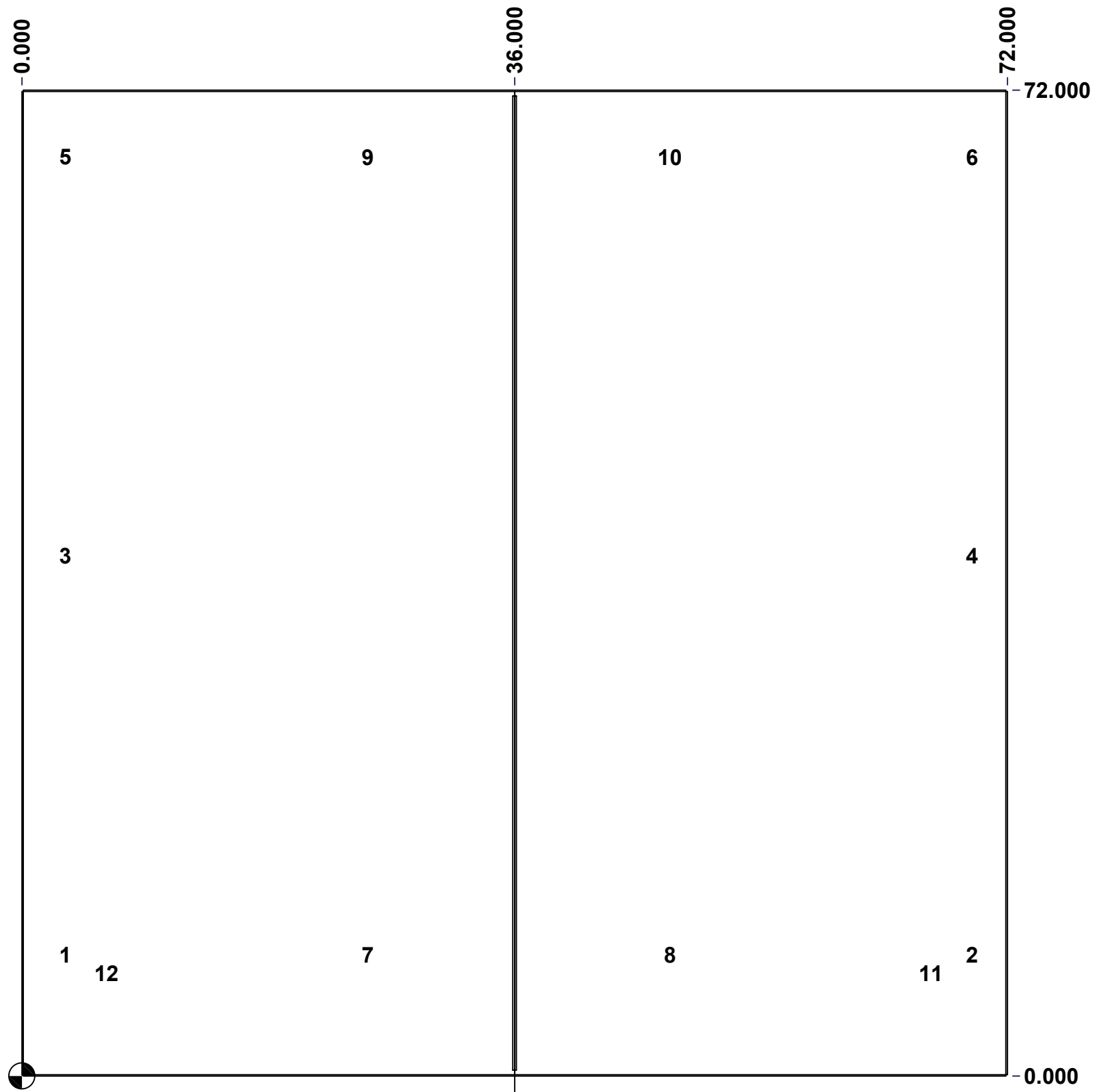
This drawing is confidential and must not be reproduced or used without the consent of EXM

Ce dessin est confidentiel et ne doit pas être reproduit ou utilisé sans le consentement de EXM

STANDARD FEATURES ARE NOT LISTED IN THIS HOLE TABLE

HOLE TABLE - BACK VIEW (CUSTOM FEATURE ONLY)

CUT-OUT	XDIM	YDIM	DESCRIPTION
1	2.875	8.875	IP STUD M10 x 40mm (Inside)
2	69.125	8.875	IP STUD M10 x 40mm (Inside)
3	2.875	38.000	IP STUD M10 x 40mm (Inside)
4	69.125	38.000	IP STUD M10 x 40mm (Inside)
5	2.875	67.125	IP STUD M10 x 40mm (Inside)
6	69.125	67.125	IP STUD M10 x 40mm (Inside)
7	24.958	8.875	IP STUD M10 x 40mm (Inside)
8	47.042	8.875	IP STUD M10 x 40mm (Inside)
9	24.958	67.125	IP STUD M10 x 40mm (Inside)
10	47.042	67.125	IP STUD M10 x 40mm (Inside)
-----	-----	-----	-----
11	66.125	7.500	IP SUPPORT ANGLE (Inside)
12	5.875	7.500	IP SUPPORT ANGLE (Inside)



BACK

	Description		Status
	9412SSDD 72" x 72" x 24" Body		(NULL)
Part Number Numéro Pièce		Rev.	8
9412STSSDD727224B		0	16

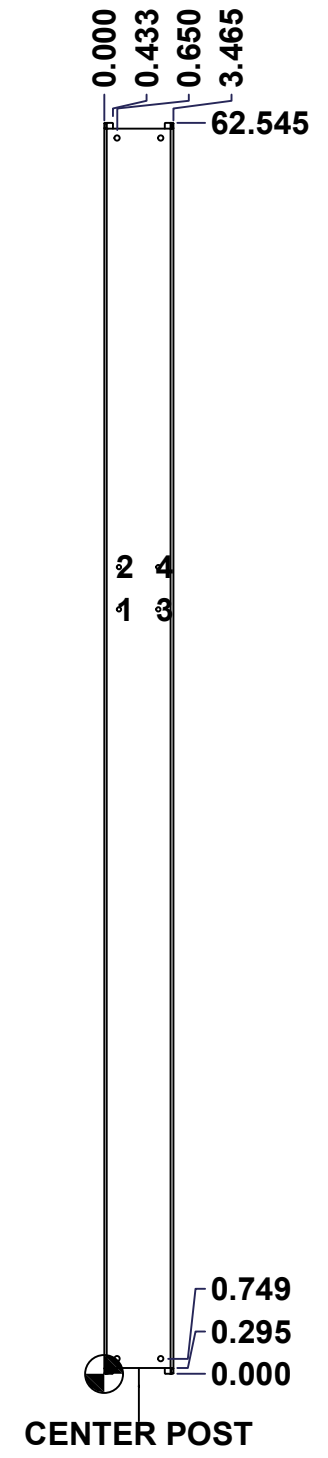
This drawing is confidential and must not be reproduced or used without the consent of EXM

Ce dessin est confidentiel et ne doit pas être reproduit ou utilisé sans le consentement de EXM

STANDARD FEATURES ARE NOT LISTED IN THIS HOLE TABLE

HOLE TABLE - CENTER VIEW (CUSTOM FEATURE ONLY)

CUT-OUT	XDIM	YDIM	DESCRIPTION
1	0.748	38.210	PEM FHS-M6-15 (Inside)
2	0.748	40.336	PEM FHS-M6-15 (Inside)
3	2.717	38.210	PEM FHS-M6-15 (Inside)
4	2.717	40.336	PEM FHS-M6-15 (Inside)

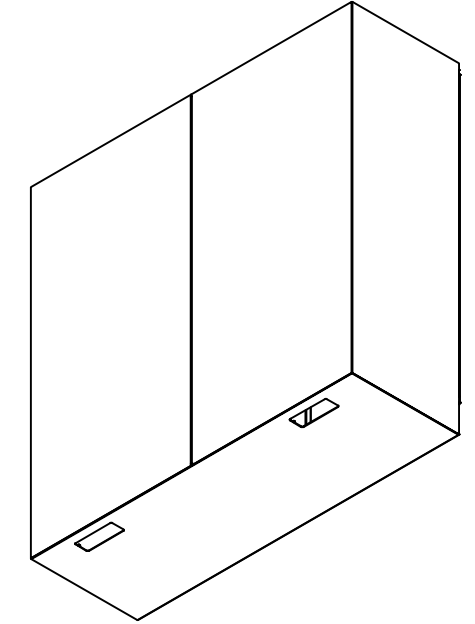


	Description	Status	
	9412SSDD 72" x 72" x 24" Body	(NULL)	
	Part Number Numéro Pièce	Rev.	9
	9412STSSDD727224B	0	16

This drawing is confidential and must not be reproduced or used without the consent of EXM

Ce dessin est confidentiel et ne doit pas être reproduit ou utilisé sans le consentement de EXM

No.	Revisions	Date	By/Par



Isometric View



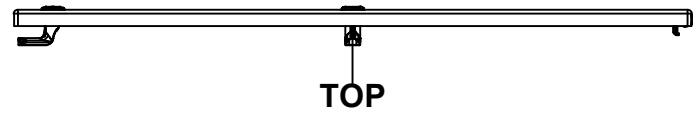
4	STK-Q-16040	0	Stud M6 x 10mm Stainless Steel
4	STK-PEM-FHS-M6-15	0	SS PEM Self-Clinching Stud M6 x 15.0mm
2	STK-Q-16085	0	Ground Stud M6 x 16mm Stainless Steel
2	9412STSSDD727224BPA-P	0	9412SSDD Inner Panel Support Angle
2	STK-Q-74915	0	Stainless Steel 304 Eyebolt Lifting Angle (15.500")
4	STK-Q-16095	0	M6 x 16mm Stainless Steel Ground Stud
1	STK-A-75456	2	Center Post - Stainless Steel Sealing Block with Latch Assembly (Large)
1	9412STSSDD727224CP-P	0	9412SSDD 72" Center Post Part
10	STK-Q-16120	0	Stud M10 x 40mm Stainless Steel
1	9412STSSDD727224BT-P	0	9412SSDD 72" x 24" Bottom Part
1	9412STSSDD727224T-P	0	9412SSDD 72" x 24" Top Part
1	9412STSSDD727224RS-P	0	9412SSDD 72" x 72" Right Part
1	9412STSSDD727224LS-P	0	9412SSDD 72" x 72" Left Part
1	9412STSSDD727224BR-P	0	9412SSDD 72" x 72" Back Right Part
1	9412STSSDD727224BL-P	0	9412SSDD 72" x 72" Back Left Part
2	9412STSSDD727224_CR 400SS_27.5	0	Commercial Roll Stainless Steel (27.5in long)

Qty	Part Number	Rev	Description
Parts List			

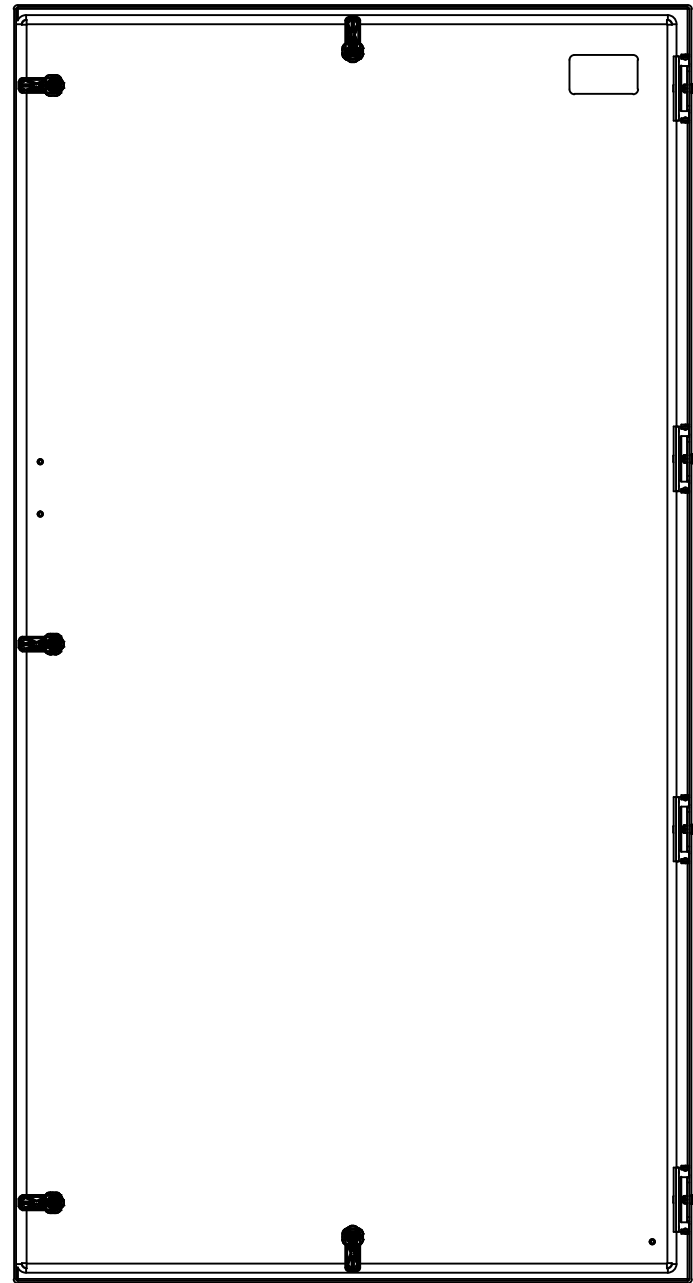
Tél: (450) 979-4373 Fax: (450) 979-4626 www.exmweb.com	Flatness Aplatissement	Max 3.0mm
	Projection	
Customer Client	Date	
Drawn By Dessiné Par	BoxCad: BoxCad	Date 12-Jan-25
Material Matière	12 Ga Stainless Steel 304 (2.5mm)	
Color Couleur	Unpainted	Finish Fini Brushed
Description	Detail Rev.	
9412SSDD 72" x 72" x 24" Body		
Part Number Numéro Pièce	Rev.	10
9412STSSDD727224B	0	16

This drawing is confidential and must not be reproduced or used without the consent of EXM

Ce dessin est confidentiel et ne doit pas être reproduit ou utilisé sans le consentement de EXM



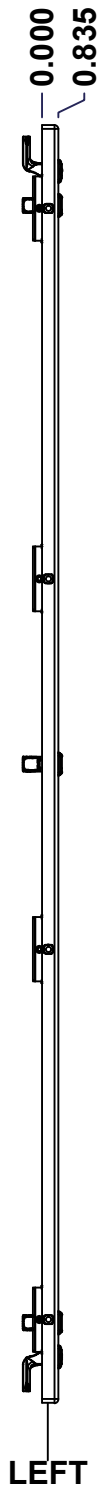
TOP



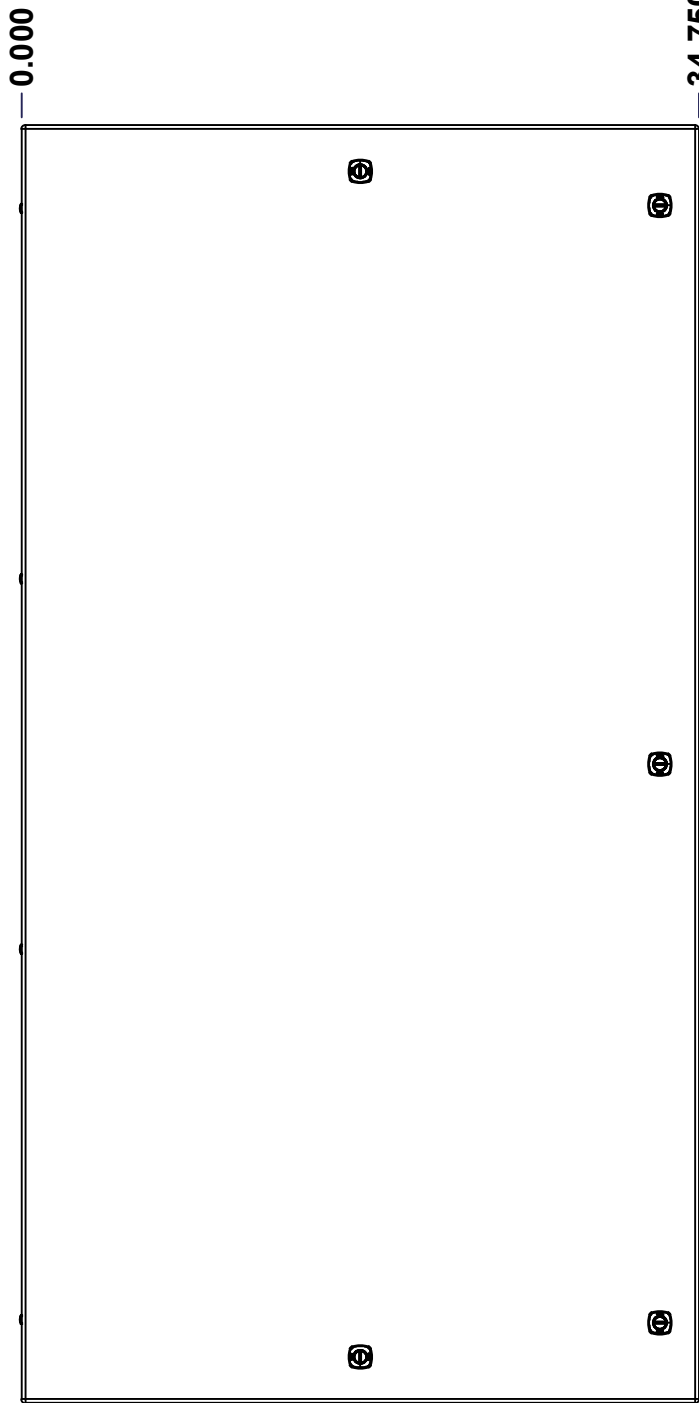
BACK



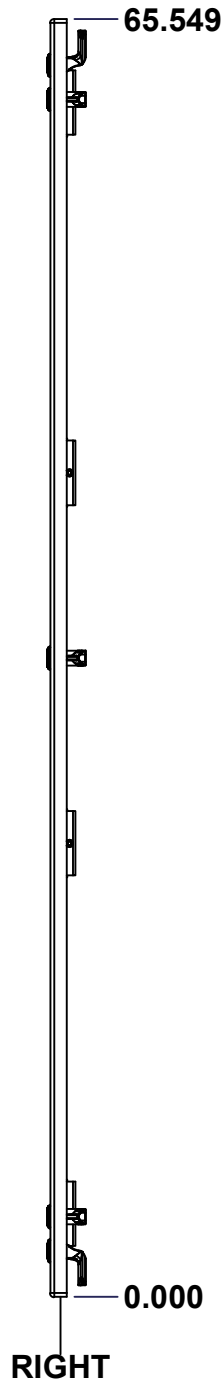
BOTTOM



LEFT

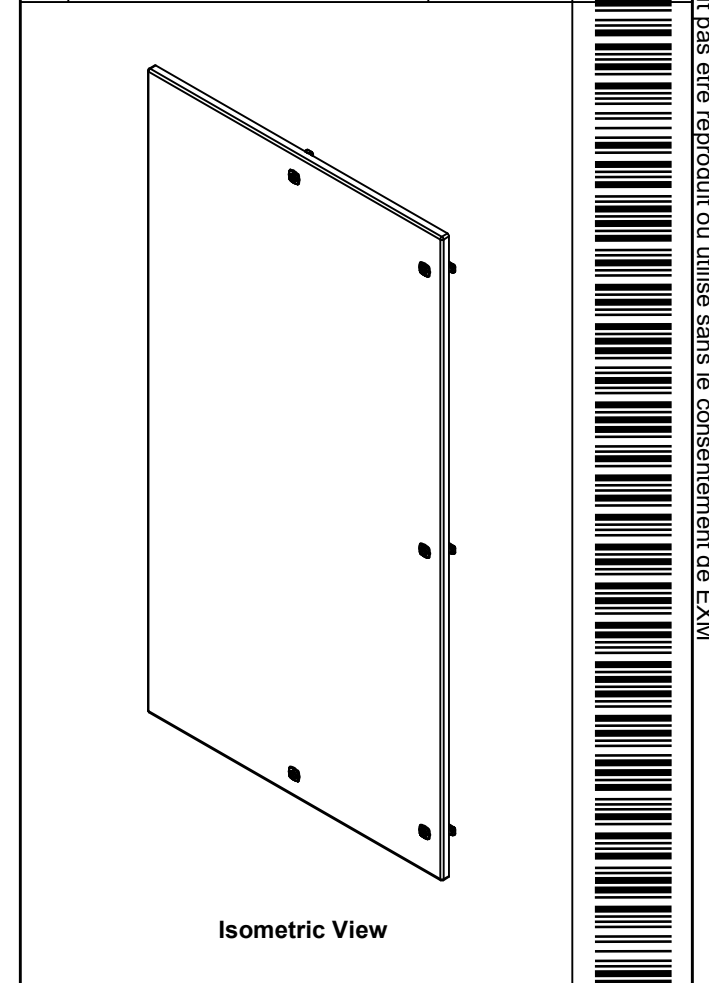


FRONT




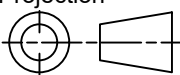
RIGHT

No.	Revisions	Date	By/Par



Isometric View



 Tél: (450) 979-4373 Fax: (450) 979-4626 www.exmweb.com		Flatness Aplatissement Max 3.0mm Projection 
Customer Client	Date	
Drawn By Dessiné Par	BoxCad: BoxCad	Date 12-Jan-25
Material Matière	12 Ga Stainless Steel 304 (2.5mm)	
Color Couleur	Unpainted	Finish Fini Brushed
Description	Detail Rev.	
9412SSDD 72" x 72" Lock Door		
Part Number Numéro Pièce	Rev.	11
9412STSSDD727224LD	0	16

SEE BILL OF MATERIAL ON LAST PAGE

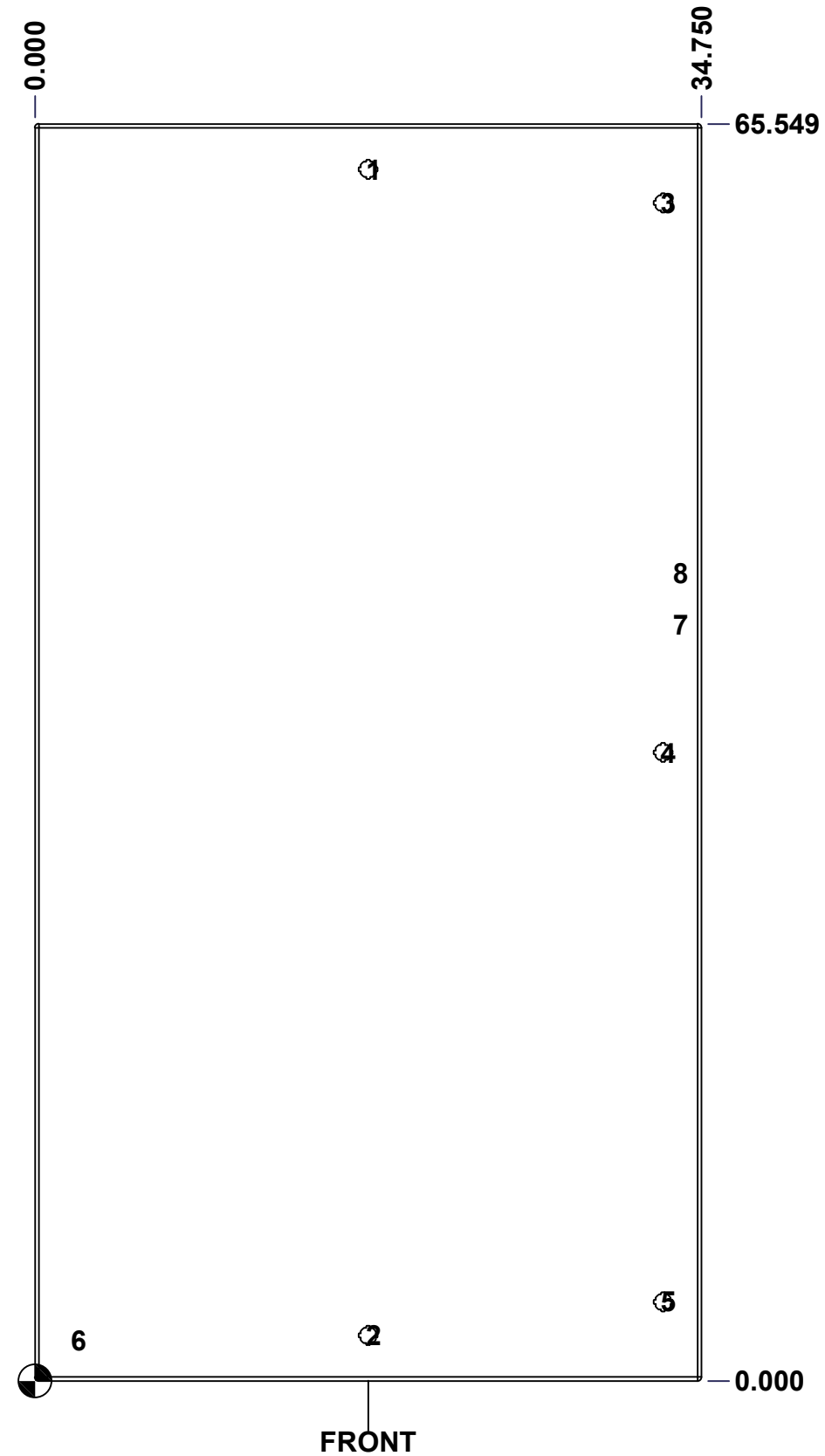
This drawing is confidential and must not be reproduced or used without the consent of EXM

Ce dessin est confidentiel et ne doit pas être reproduit ou utilisé sans le consentement de EXM

STANDARD FEATURES ARE NOT LISTED IN THIS HOLE TABLE

HOLE TABLE - FRONT VIEW (CUSTOM FEATURE ONLY)

CUT-OUT	XDIM	YDIM	DESCRIPTION
1	17.375	63.180	LOCK 889 SCQ4-SLSS6 @ 90.0°
2	17.375	2.368	LOCK 889 SCQ4-SLSS6 @ 270.0°
3	32.750	61.430	LOCK 889 SCQ4-SLSS6 @ 0.0°
4	32.750	32.774	LOCK 889 SCQ4-SLSS6 @ 0.0°
5	32.750	4.118	LOCK 889 SCQ4-SLSS6 @ 0.0°
6	2.000	2.118	GND STUD M6 x 16mm (Inside)
7	33.402	39.435	STUDS M6 x 18mm (Inside)
8	33.402	42.113	STUDS M6 x 18mm (Inside)



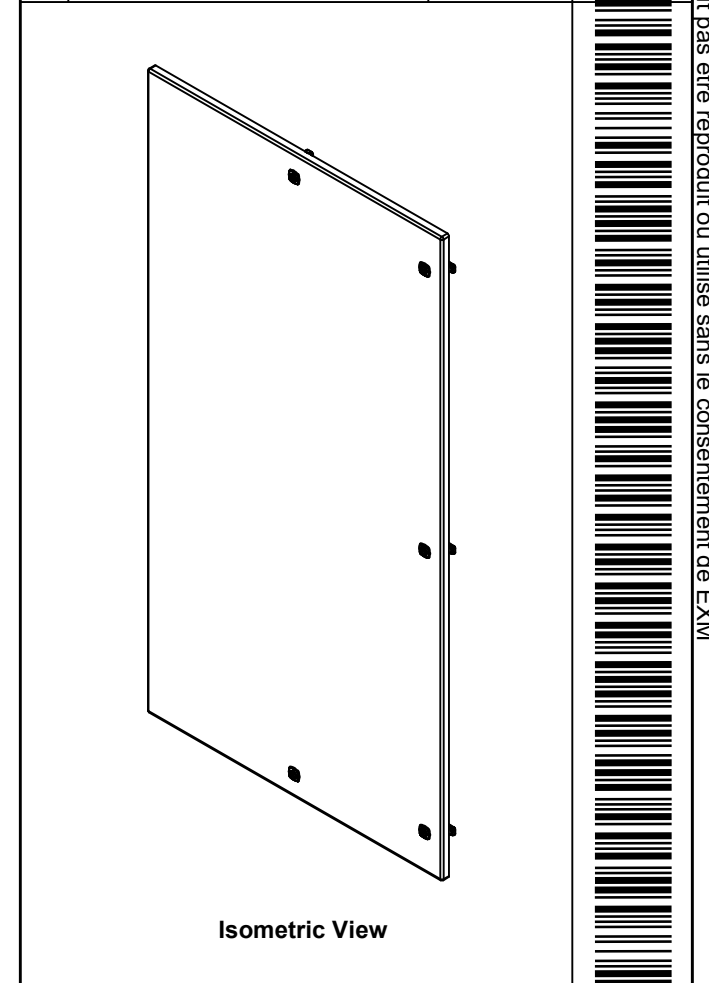
FRONT

	Description	Status
	9412SSDD 72" x 72" Lock Door	(NULL)
	Part Number Numéro Pièce	Rev.
	9412STSSDD727224LD	0
		12
		16

This drawing is confidential and must not be reproduced or used without the consent of EXM

Ce dessin est confidentiel et ne doit pas être reproduit ou utilisé sans le consentement de EXM

No.	Revisions	Date	By/Par



Isometric View


 Tél: (450) 979-4373
 Fax: (450) 979-4626
www.exmweb.com

Flatness / Aplatissement: Max 3.0mm
 Projection: 

Customer / Client	Date
Drawn By / Dessiné Par: BoxCad: BoxCad	Date: 12-Jan-25

Material / Matière	12 Ga Stainless Steel 304 (2.5mm)
--------------------	-----------------------------------

Color / Couleur: Unpainted	Finish / Fini: Brushed
----------------------------	------------------------

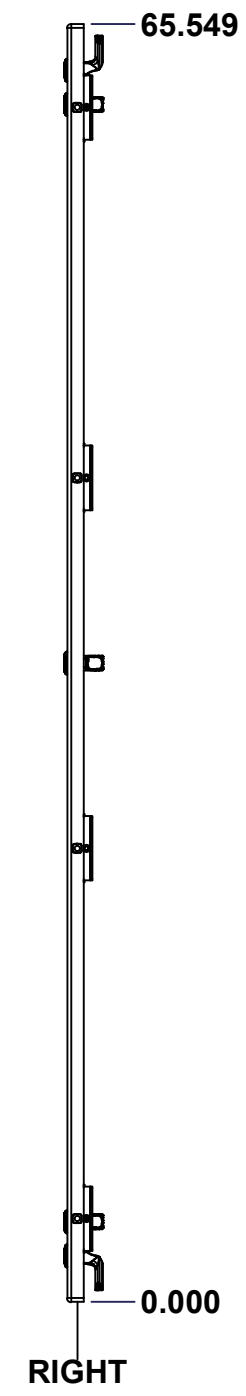
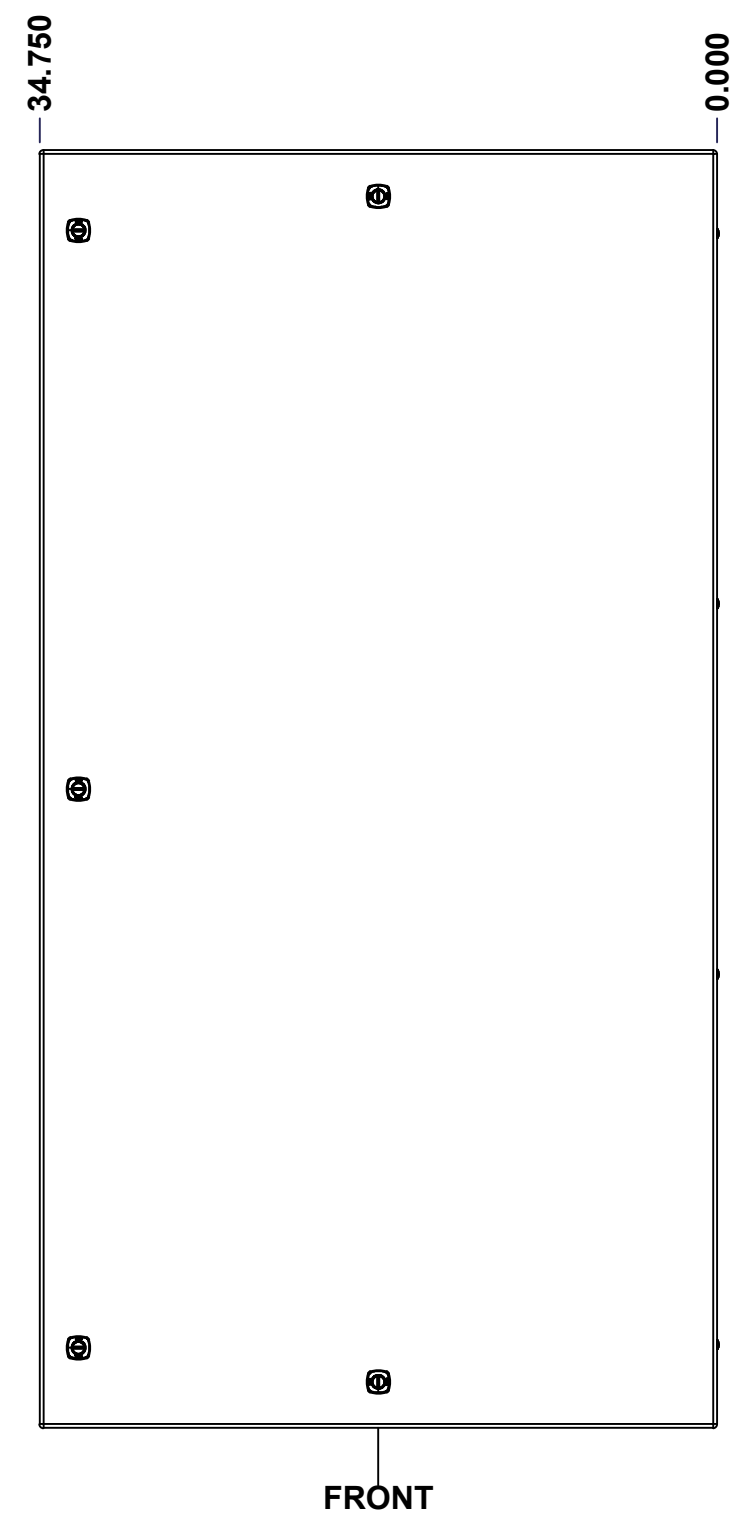
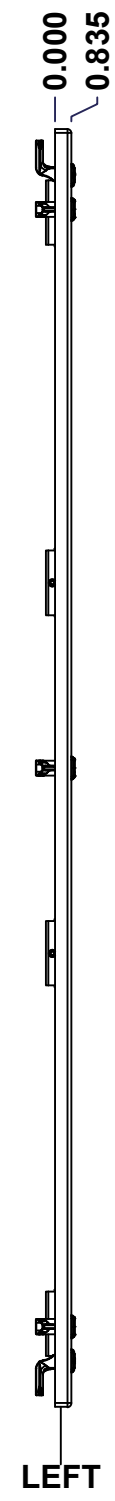
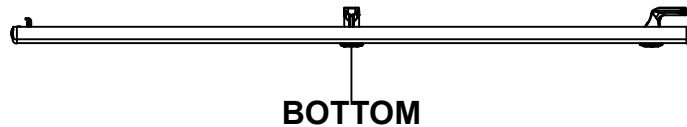
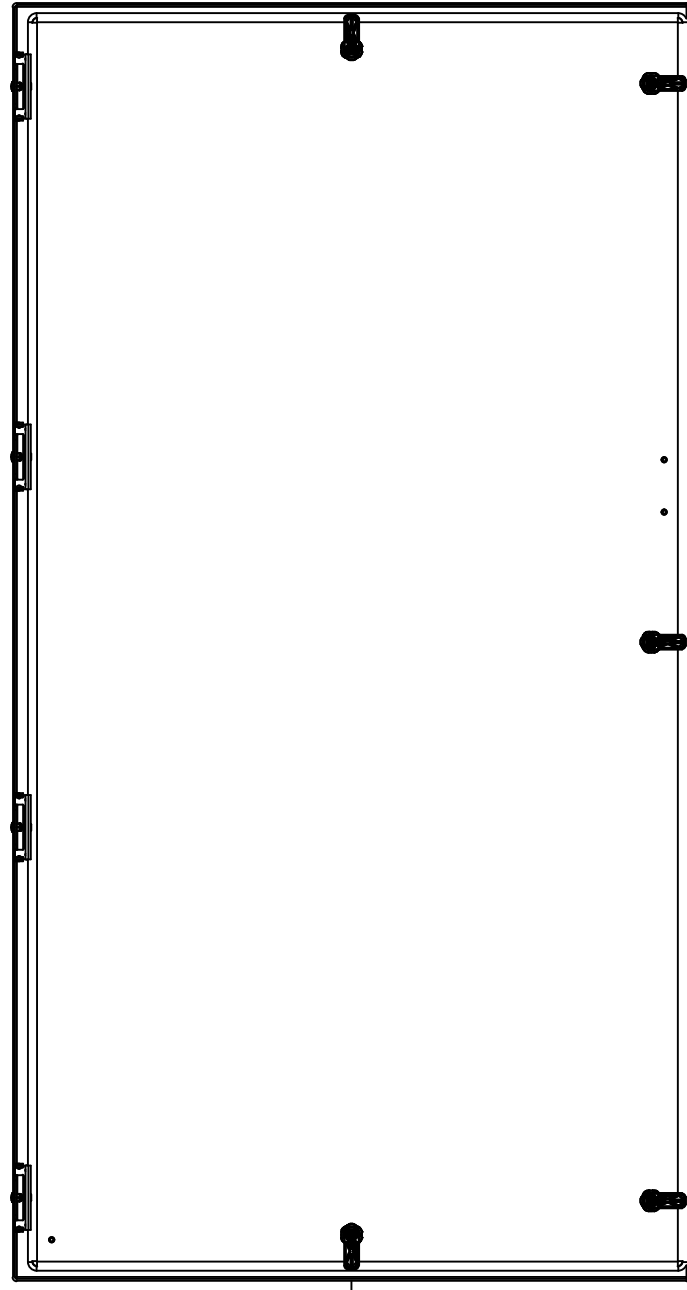
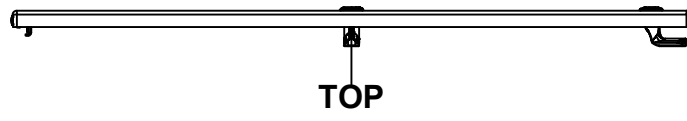
Description: 9412SSDD 72" x 72" Lock Door	Detail Rev.
---	-------------

Part Number / Numéro Pièce: 9412STSSDD727224LD	Rev. 0	13 / 16
---	---------------	---------

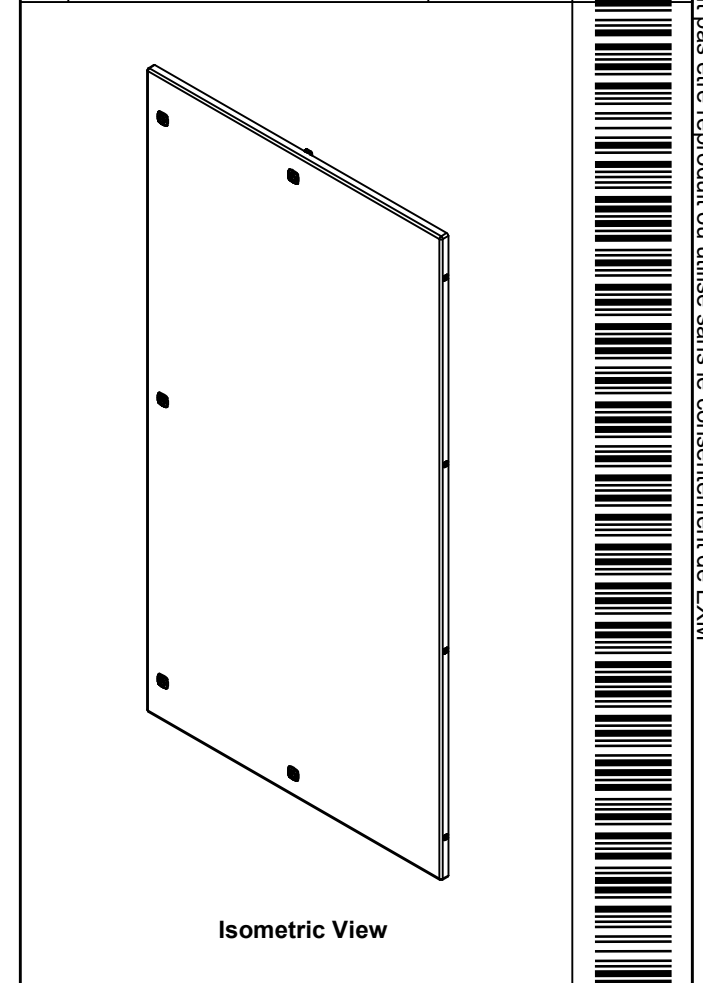
QTY	Part Number	Rev	Description
2	STK-Q-16070	1	Stud M6 x 18mm Stainless Steel
1	STK-Q-16085	0	Ground Stud M6 x 16mm Stainless Steel
4	STK-Q-00265	0	M6 x 12mm Stainless Steel 316 Carriage Bolt
1	STK-S-00100	0	3.5" x 2" Silver Milar Flexcon Sticker
1	9412STSSDD727224DG	0	9412SSDD 72" x 72" Door Gasket
1	9412STSSDD727224LD-P	0	9412SSDD 72" x 72" Slave Door Part
5	889 SCQ4-SLSS6	0	9412 SS 1/4 Turn Lock
4	STK-A-33012	3	5500 SSDD - Stainless Steel Sheet Metal Hinge Assembly
4	STK-Q-07225	0	M6 Stainless Steel Nylon Insert Lock Nut
Parts List			

This drawing is confidential and must not be reproduced or used without the consent of EXM

Ce dessin est confidentiel et ne doit pas être reproduit ou utilisé sans le consentement de EXM



No.	Revisions	Date	By/Par



<p>Tél: (450) 979-4373 Fax: (450) 979-4626 www.exmweb.com</p>	Flatness Aplatissement	Max 3.0mm
	Projection	
Customer Client	Date	
Drawn By Dessiné Par	BoxCad: BoxCad	Date 12-Jan-25
Material Matière	12 Ga Stainless Steel 304 (2.5mm)	
Color Couleur	Unpainted	Finish Fini Brushed
Description	Detail Rev.	
Part Number Numéro Pièce	9412STSSDD 72" x 72" Flange Door	Rev. 14
	SEE BILL OF MATERIAL ON LAST PAGE	0 16

SEE BILL OF MATERIAL ON LAST PAGE

9412STSSDD727224FD

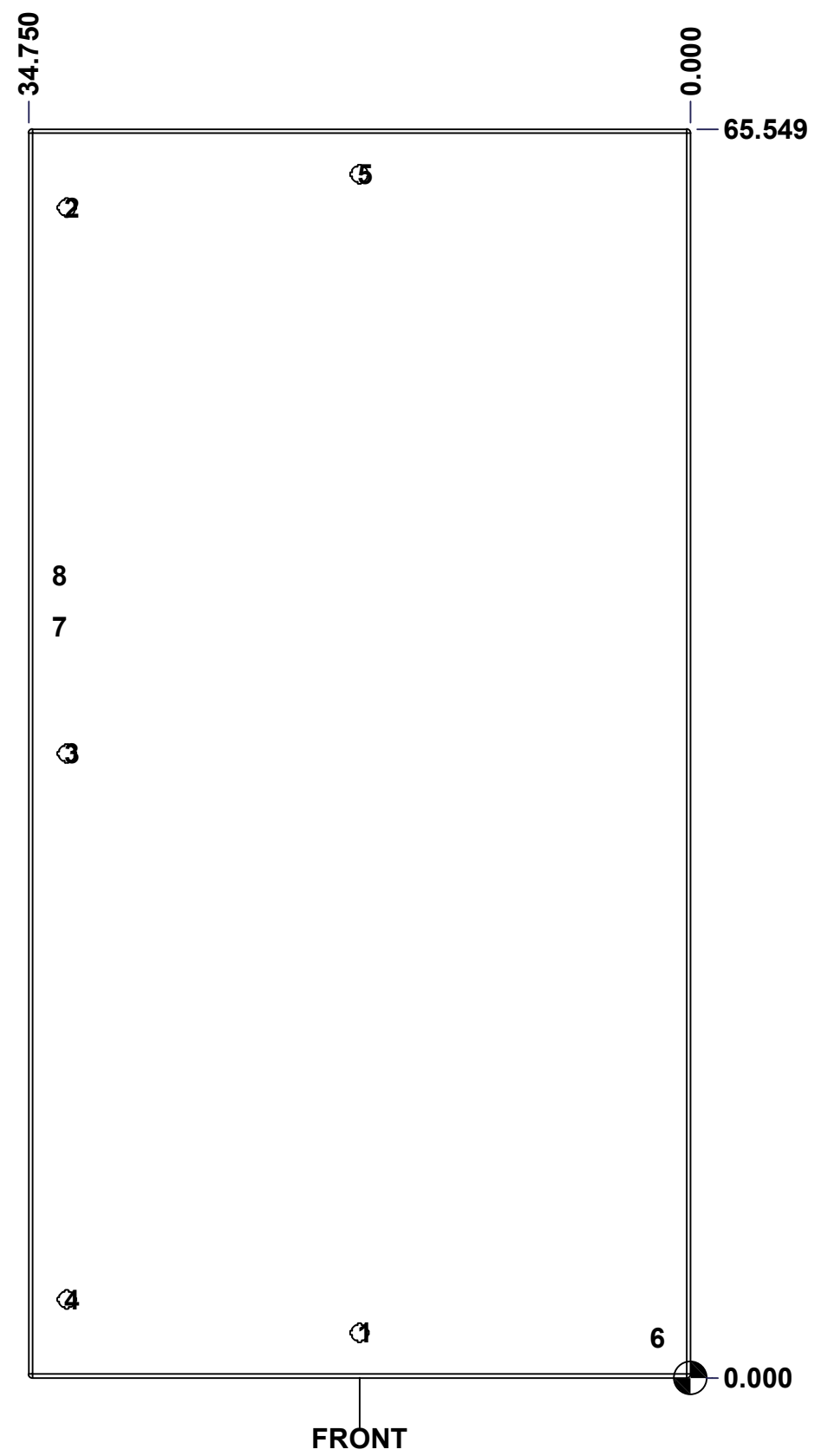
This drawing is confidential and must not be reproduced or used without the consent of EXM

Ce dessin est confidentiel et ne doit pas être reproduit ou utilisé sans le consentement de EXM

STANDARD FEATURES ARE NOT LISTED IN THIS HOLE TABLE

HOLE TABLE - FRONT VIEW (CUSTOM FEATURE ONLY)

CUT-OUT	XDIM	YDIM	DESCRIPTION
1	17.375	2.368	LOCK 889 SCQ4-SLSS6 @ 270.0°
2	32.750	61.430	LOCK 889 SCQ4-SLSS6 @ 180.0°
3	32.750	32.774	LOCK 889 SCQ4-SLSS6 @ 180.0°
4	32.750	4.118	LOCK 889 SCQ4-SLSS6 @ 180.0°
5	17.375	63.180	LOCK 889 SCQ4-SLSS6 @ 90.0°
6	2.000	2.118	GND STUD M6 x 16mm (Inside)
7	33.402	39.435	STUDS M6 x 18mm (Inside)
8	33.402	42.113	STUDS M6 x 18mm (Inside)

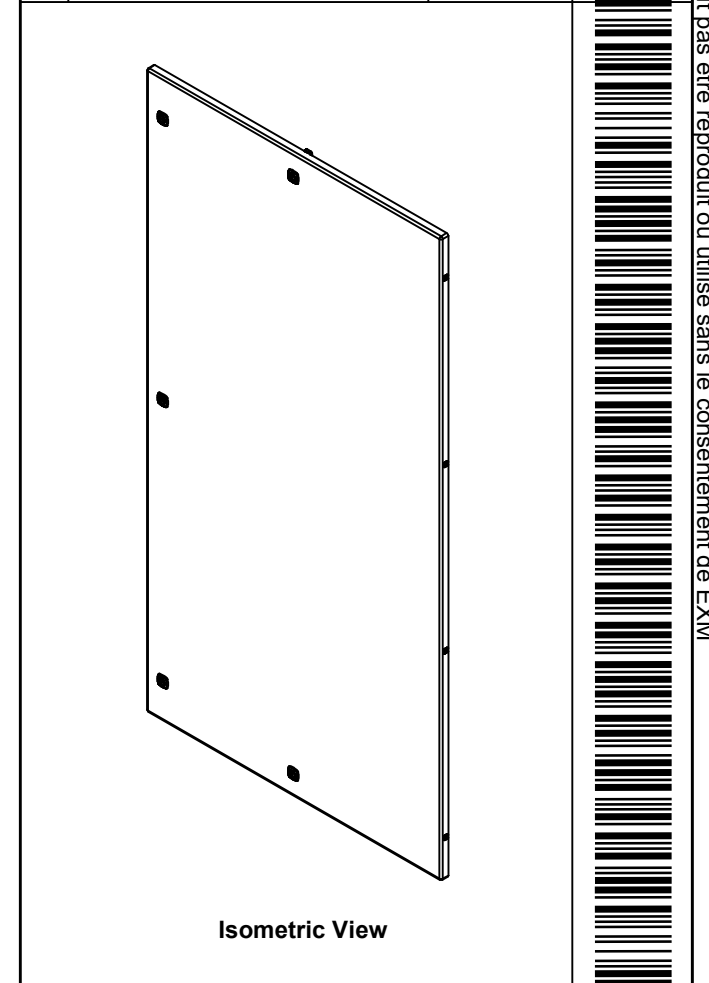


	Description	Status
	9412SSDD 72" x 72" Flange Door	(NULL)
	Part Number Numéro Pièce	Rev.
	9412STSSDD727224FD	0 / 15
		16

This drawing is confidential and must not be reproduced or used without the consent of EXM

Ce dessin est confidentiel et ne doit pas être reproduit ou utilisé sans le consentement de EXM

No.	Revisions	Date	By/Par




 Tél: (450) 979-4373
 Fax: (450) 979-4626
www.exmweb.com

Flatness / Aplatissement: Max 3.0mm
 Projection: 

Customer Client	Date
Drawn By / Dessiné Par: BoxCad: BoxCad	Date: 12-Jan-25

Material / Matière	12 Ga Stainless Steel 304 (2.5mm)
--------------------	-----------------------------------

Color / Couleur: Unpainted	Finish / Fini: Brushed
----------------------------	------------------------

Description: 9412SSDD 72" x 72" Flange Door	Detail Rev.
---	-------------

Part Number / Numéro Pièce: 9412STSSDD727224FD	Rev. 0	16 / 16
---	---------------	---------

QTY	Part Number	Rev	Description
2	STK-Q-16070	1	Stud M6 x 18mm Stainless Steel
1	STK-Q-16085	0	Ground Stud M6 x 16mm Stainless Steel
4	STK-Q-00265	0	M6 x 12mm Stainless Steel 316 Carriage Bolt
1	9412STSSDD727224DG	0	9412SSDD 72" x 72" Door Gasket
1	9412STSSDD727224FD-P	0	9412SSDD 72" x 72" Master Door Part
5	889 SCQ4-SLSS6	0	9412 SS 1/4 Turn Lock
4	STK-A-33012	3	5500 SSDD - Stainless Steel Sheet Metal Hinge Assembly
4	STK-Q-07225	0	M6 Stainless Steel Nylon Insert Lock Nut
Parts List			