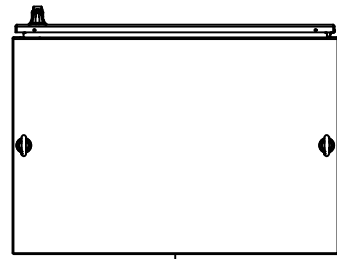
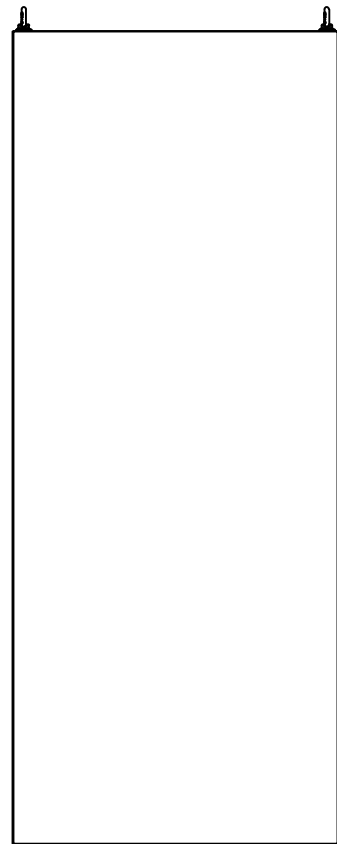


This drawing is confidential and must not be reproduced or used without the consent of EXM

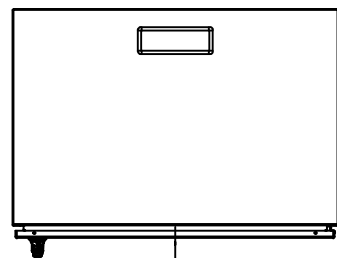
Ce dessin est confidentiel et ne doit pas être reproduit ou utilisé sans le consentement de EXM



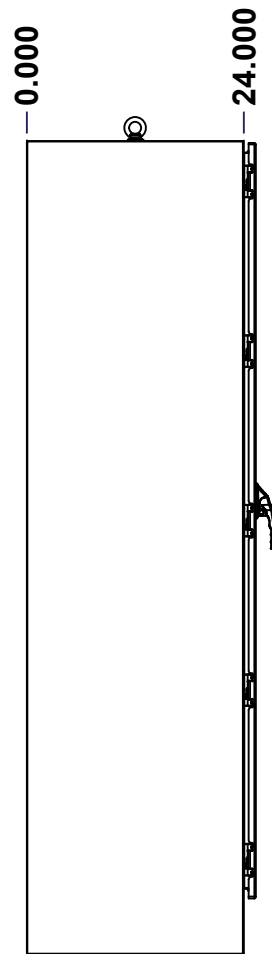
TOP



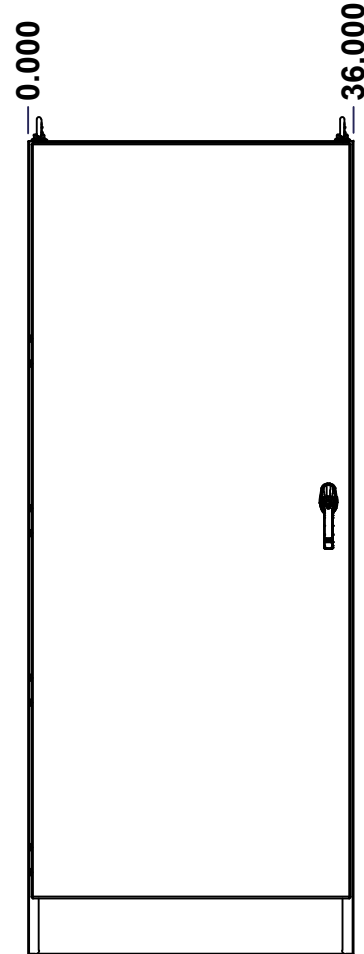
BACK



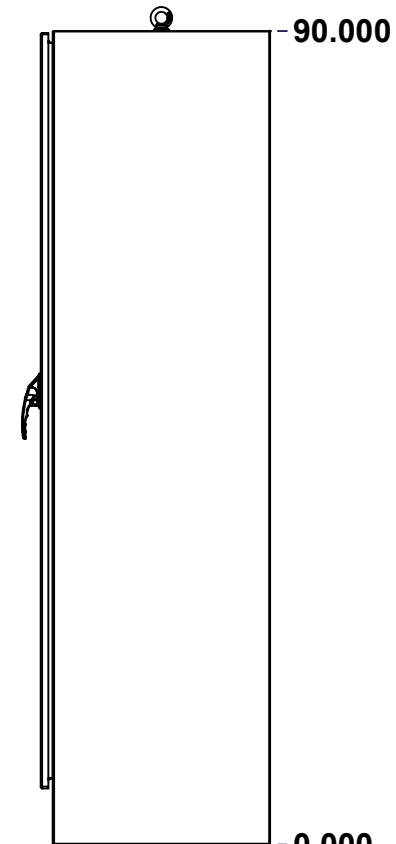
BOTTOM



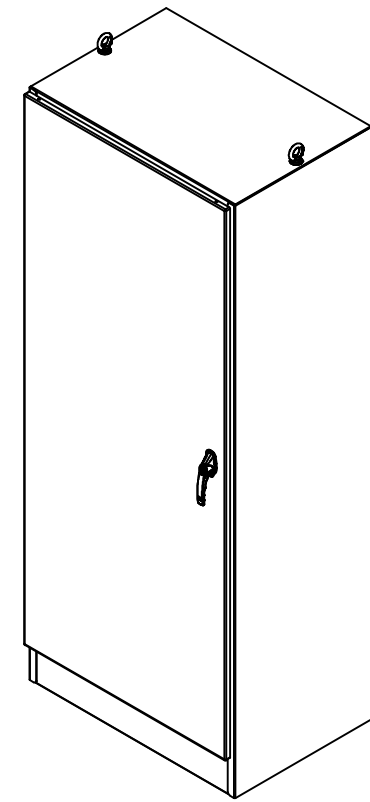
LEFT



FRONT




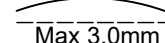
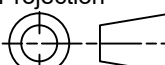
RIGHT



Isometric View



No.	Revisions	Date	By/Par

 Tél: (450) 979-4373 Fax: (450) 979-4626 www.exmweb.com		Flatness Aplatissement  Max 3.0mm Projection 
Customer Client	Date	
Drawn By Dessiné Par	BoxCad: BoxCad	Date 15-Sep-14
Material Matière	12 Ga Cold Rolled A1008 CS Type B (2.5mm)	
Color Couleur	Asa-61 Grey	Finish Fini Smooth
Description	Detail Rev.	
9500 90" x 36" x 24" Assembly		
Part Number Numéro Pièce	Rev.	1
9500903624	0	12

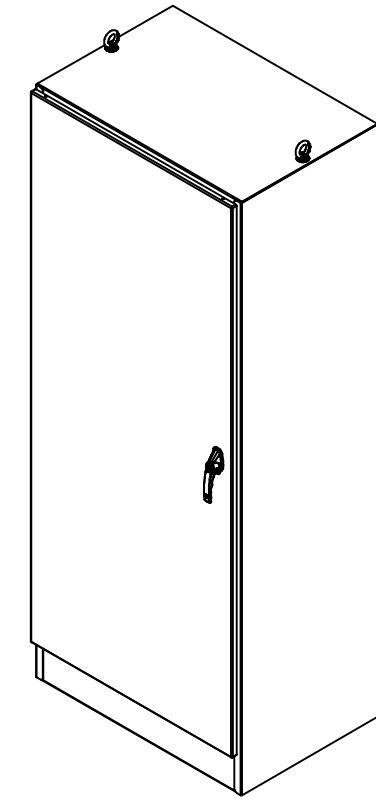
SEE BILL OF MATERIAL ON LAST PAGE

This drawing is confidential and must not be reproduced or used without the consent of EXM

Ce dessin est confidentiel et ne doit pas être reproduit ou utilisé sans le consentement de EXM

NOTE	
ITEM	DESCRIPTION
1	NEMA 12, 13 Enclosure (IP55)
2	C/W Standard ground studs on box and cover
3	C/W Standard door stiffener
4	W/O Inner panel
5	C/W Standard inner panel mounting struts
6	C/W Eyebolts sold separately (Installed by EXM)
7	C/W Struts installed (Included)

No.	Revisions	Date	By/Par



Isometric View

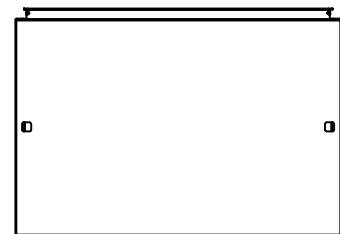
PACKING		
ITEM	QTY	DESCRIPTION
Cardboard sleeve	2	Top and Bottom
Cardboard strip	2	Between back of enclosure and inner panel
Plastic bag	1	To protect cover surface and inside gasket
Cardboard corner	4	To reinforced for the plastic strap tightening
Plastic strap - Black	2	To Squeeze 2 cardboard sleeve together
Packaging label	3	White label with PN
Plastic strap- Green	2	To secure the enclosure to the wood pallet
Wood Pallet	1	2" deeper and 3" larger than enclosure size

Qty	Part Number	Rev	Description
1	9500903624GP	0	9500 Gland Plate
1	880EB14	2	Eye Bolt M14 (Pack of 2)
1	889BPS	0	Inner Panel Strut Mounting Kit
1	9500903624C	0	9500 90" x 36" Cover
1	9500903624B	0	9500 90" x 36" x 24" Body
5	STK-Q-04050-10	8	M6 x 10mm Hexagon Socket Head Machine Screw with Nyseal
Parts List			

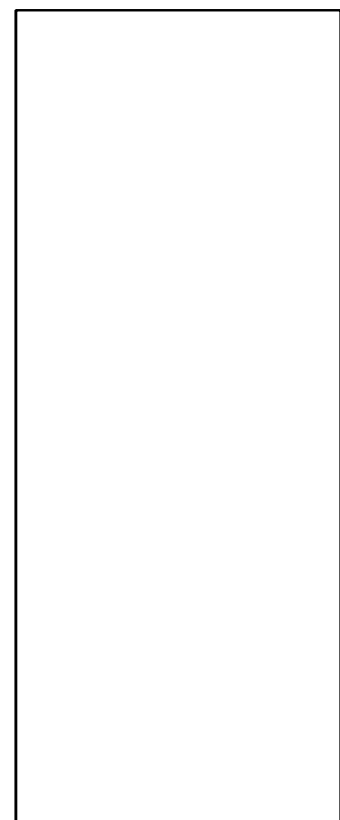
	Tél: (450) 979-4373 Fax: (450) 979-4626 www.exmweb.com	Flatness Aplatissement Max 3.0mm
	Projection 	Customer Client Date
Drawn By Dessiné Par BoxCad: BoxCad	Date 15-Sep-14	Material Matière 12 Ga Cold Rolled A1008 CS Type B (2.5mm)
Color Couleur Asa-61 Grey	Finish Fini Smooth	Description 9500 90" x 36" x 24" Assembly
Part Number Numéro Pièce 9500903624	Rev. 0	Detail Rev. 2 12

This drawing is confidential and must not be reproduced or used without the consent of EXM

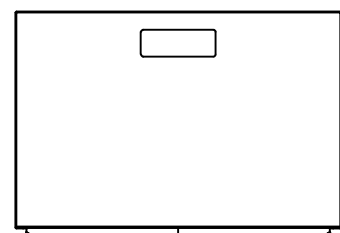
Ce dessin est confidentiel et ne doit pas être reproduit ou utilisé sans le consentement de EXM



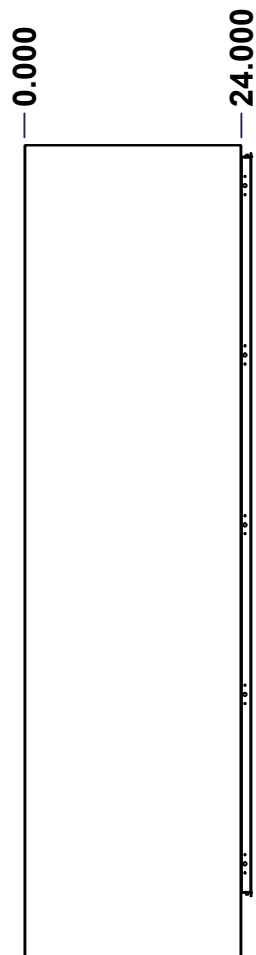
TOP



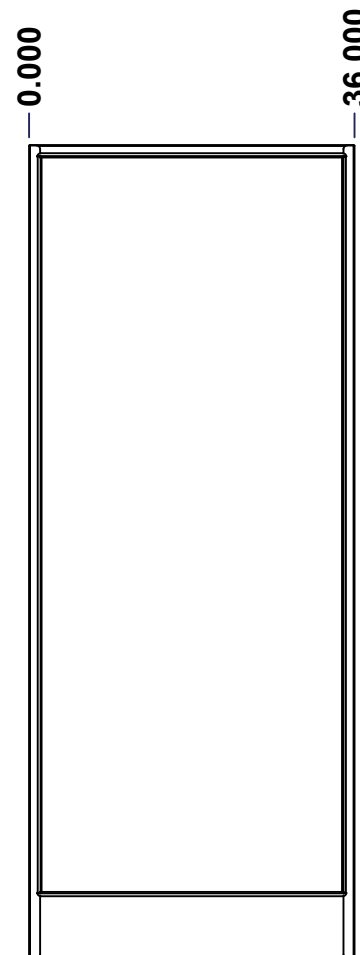
BACK



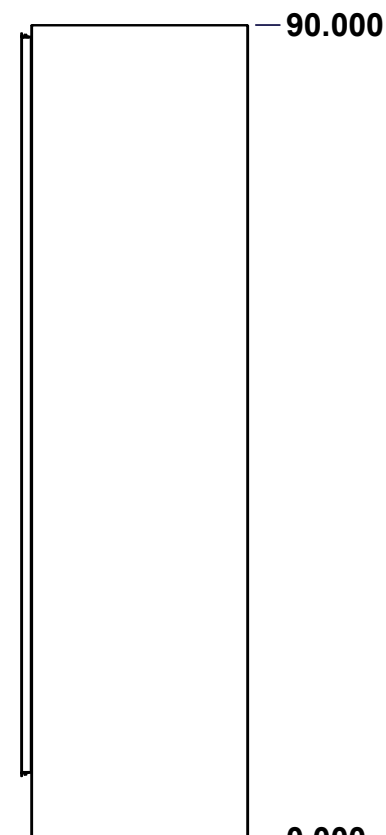
BOTTOM



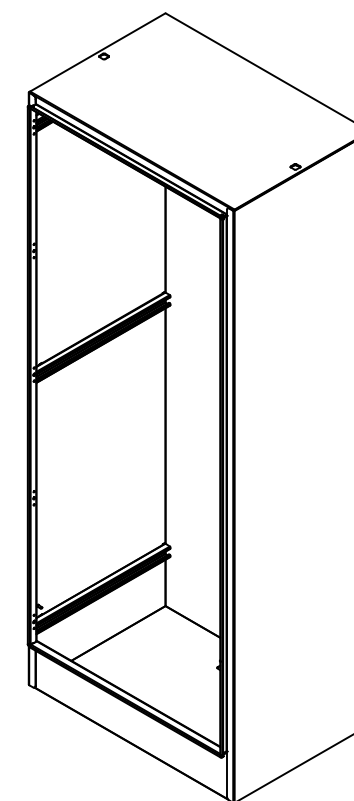
LEFT



FRONT



RIGHT



Isometric View



No.	Revisions	Date	By/Par


 Tél: (450) 979-4373
 Fax: (450) 979-4626
www.exmweb.com

Flatness
 Aplatissement

 Max 3.0mm
 Projection


Customer Client	Date
Drawn By Dessiné Par: BoxCad: BoxCad	Date: 15-Sep-14

Material Matière: 12 Ga Cold Rolled A1008 CS Type B (2.5mm)

Color Couleur: Asa-61 Grey	Finish Fini: Smooth
----------------------------	---------------------

Description: 9500 90" x 36" x 24" Body

Part Number Numéro Pièce: 9500903624B	Rev. 0	3
---------------------------------------	--------	---

SEE BILL OF MATERIAL ON LAST PAGE

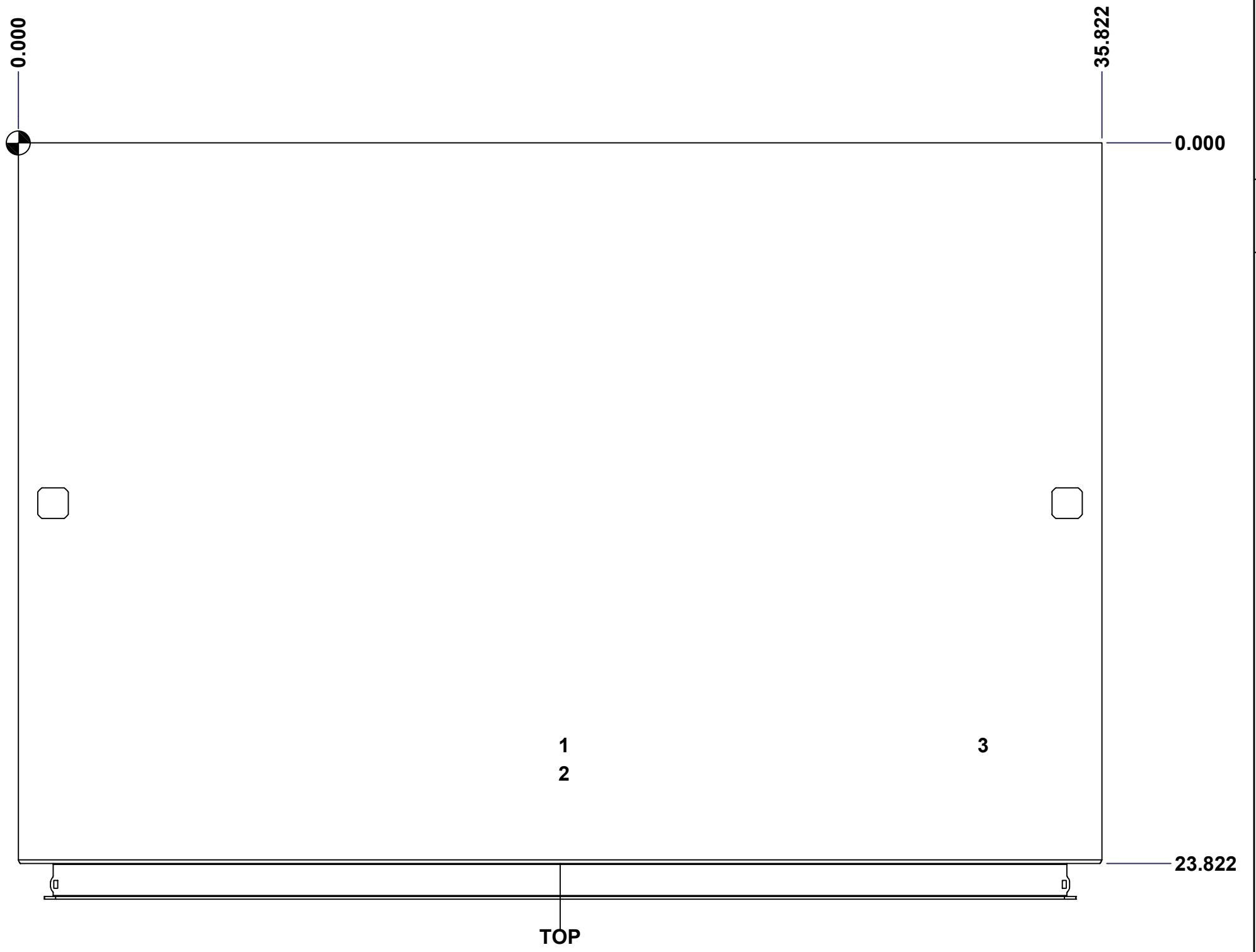
This drawing is confidential and must not be reproduced or used without the consent of EXM

Ce dessin est confidentiel et ne doit pas être reproduit ou utilisé sans le consentement de EXM

STANDARD FEATURES ARE NOT LISTED IN THIS HOLE TABLE

HOLE TABLE - TOP VIEW (CUSTOM FEATURE ONLY)

CUT-OUT	XDIM	YDIM	DESCRIPTION
1	17.911	19.911	Struts CR400 27.500" (Inside)
2	17.911	20.840	STUDS M6 x 10mm (Inside)
3	31.777	19.911	STUDS M6 x 10mm (Inside)



	Description 9500 90" x 36" x 24" Body	Status (NULL)
	Part Number Numéro Pièce 9500903624B	Rev. 4 0 / 12

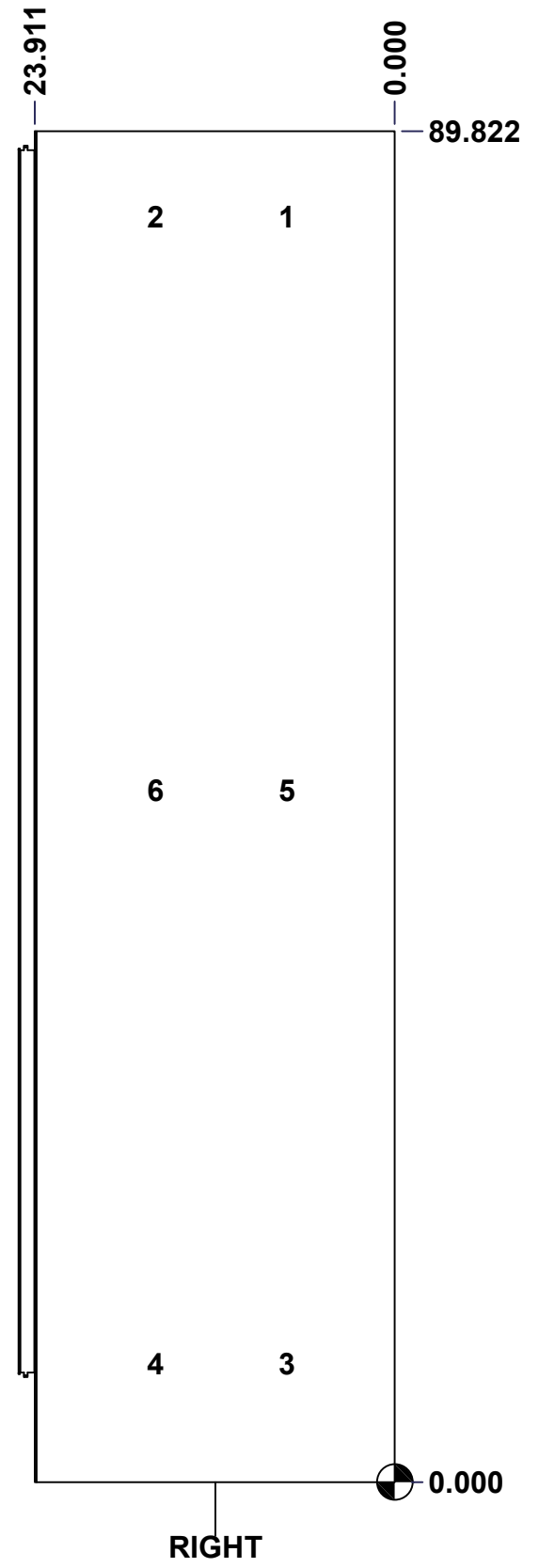
This drawing is confidential and must not be reproduced or used without the consent of EXM

Ce dessin est confidentiel et ne doit pas être reproduit ou utilisé sans le consentement de EXM

STANDARD FEATURES ARE NOT LISTED IN THIS HOLE TABLE

HOLE TABLE - RIGHT VIEW (CUSTOM FEATURE ONLY)

CUT-OUT	XDIM	YDIM	DESCRIPTION
1	7.536	84.107	STUDS M6 x 10mm (Inside)
2	16.286	84.107	STUDS M6 x 10mm (Inside)
3	7.536	7.857	STUDS M6 x 10mm (Inside)
4	16.286	7.857	STUDS M6 x 10mm (Inside)
5	7.536	45.982	STUDS M6 x 10mm (Inside)
6	16.286	45.982	STUDS M6 x 10mm (Inside)

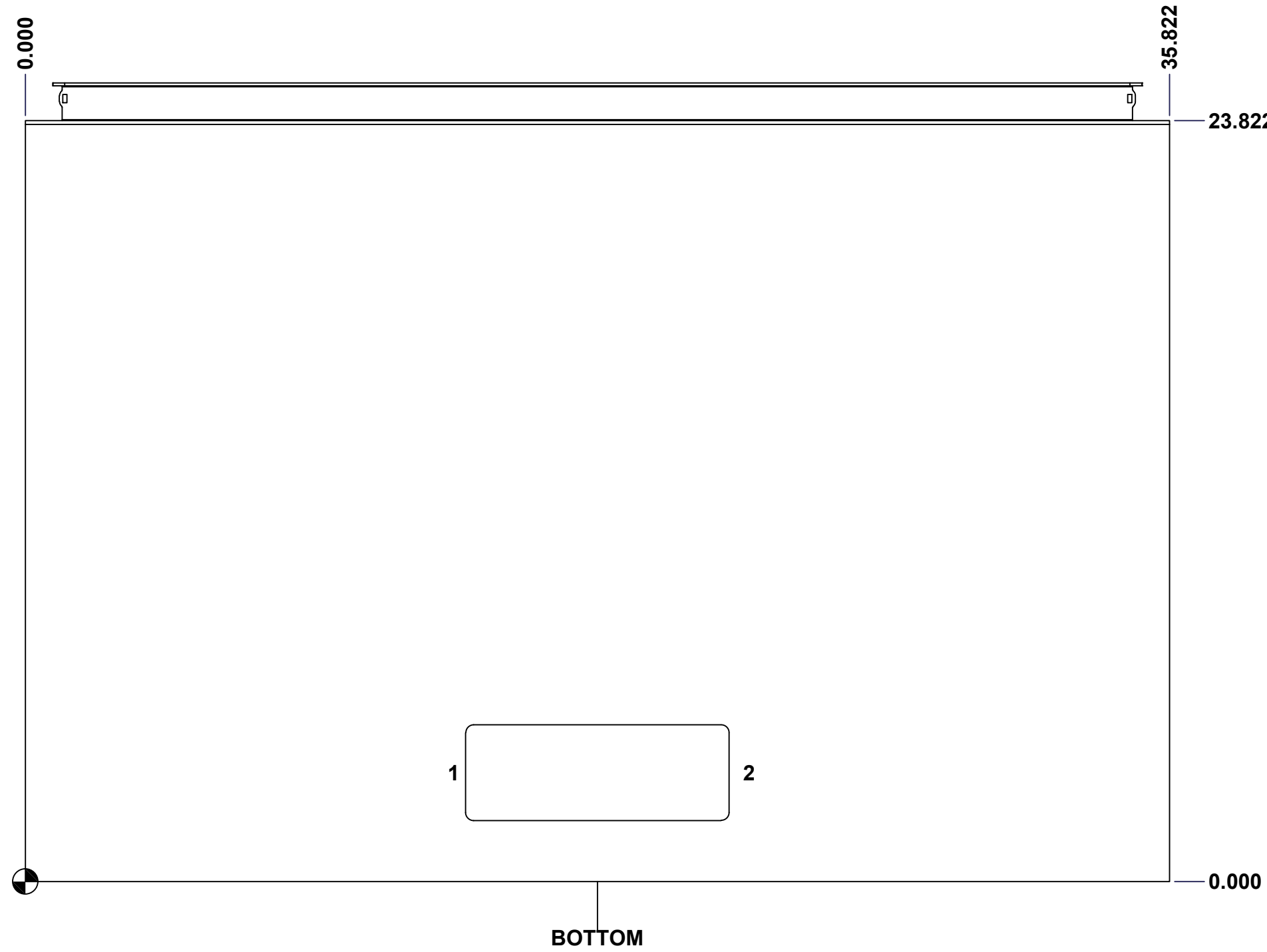


	Description 9500 90" x 36" x 24" Body	Status (NULL)
	Part Number Numéro Pièce 9500903624B	Rev. 5 0

This drawing is confidential and must not be reproduced or used without the consent of EXM

Ce dessin est confidentiel et ne doit pas être reproduit ou utilisé sans le consentement de EXM

STANDARD FEATURES ARE NOT LISTED IN THIS HOLE TABLE			
HOLE TABLE - BOTTOM VIEW (CUSTOM FEATURE ONLY)			
CUT-OUT	XDIM	YDIM	DESCRIPTION
1	13.286	3.411	GP STUD M6 x 16mm (Inside)
2	22.536	3.411	GP STUD M6 x 16mm (Inside)

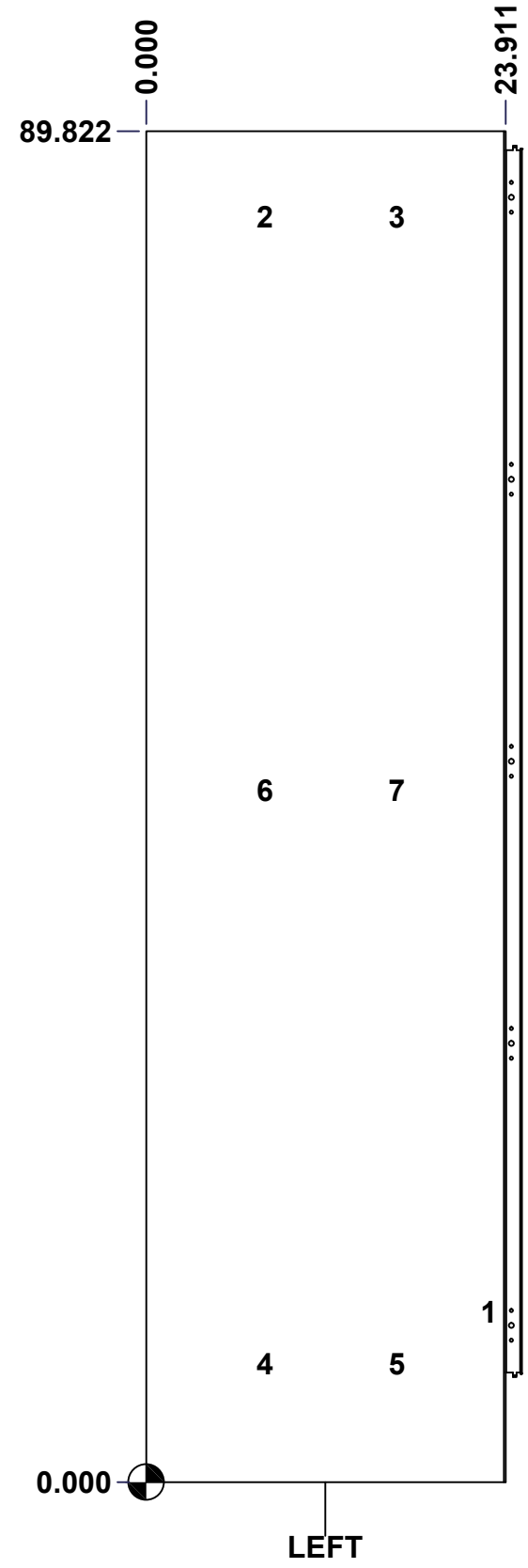


	Description 9500 90" x 36" x 24" Body	Status (NULL)
	Part Number Numéro Pièce 9500903624B	Rev. 6 0

This drawing is confidential and must not be reproduced or used without the consent of EXM

Ce dessin est confidentiel et ne doit pas être reproduit ou utilisé sans le consentement de EXM

STANDARD FEATURES ARE NOT LISTED IN THIS HOLE TABLE			
HOLE TABLE - LEFT VIEW (CUSTOM FEATURE ONLY)			
CUT-OUT	XDIM	YDIM	DESCRIPTION
1	22.411	11.286	GND STUD M6 x 16mm (Inside)
2	7.536	84.107	STUDS M6 x 10mm (Inside)
3	16.286	84.107	STUDS M6 x 10mm (Inside)
4	7.536	7.857	STUDS M6 x 10mm (Inside)
5	16.286	7.857	STUDS M6 x 10mm (Inside)
6	7.536	45.982	STUDS M6 x 10mm (Inside)
7	16.286	45.982	STUDS M6 x 10mm (Inside)

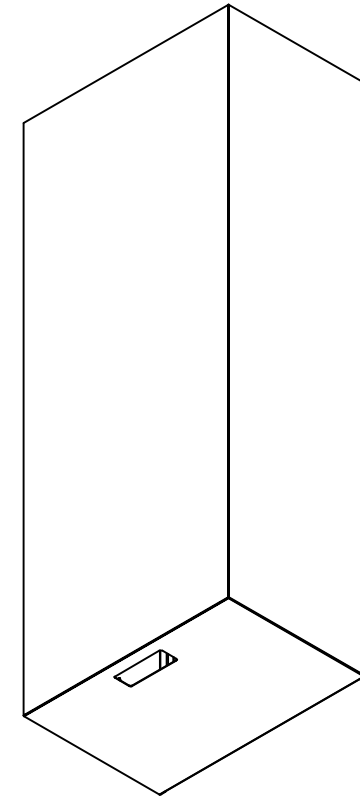


	Description 9500 90" x 36" x 24" Body	Status (NULL)
	Part Number Numéro Pièce 9500903624B	Rev. 7 0

This drawing is confidential and must not be reproduced or used without the consent of EXM

Ce dessin est confidentiel et ne doit pas être reproduit ou utilisé sans le consentement de EXM


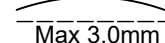
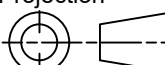
No.	Revisions	Date	By/Par



Isometric View

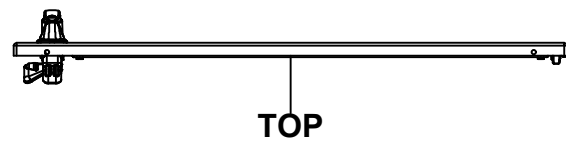


14	STK-Q-16030	0	Stud M6 x 10mm Steel
1	9500903624_CR400MS_2 7.5	0	Commercial Roll Mild Steel (27.5in long)
2	STK-Q-74910	0	Eyebolt Lifting Angle (15.500")
1	STK-P-02400S	0	Powder Paint (Asa-61 Grey / Smooth)
1	STK-Q-52200-24	2	Sasco Strut S5 (21.500" Long)
5	STK-Q-52250-24	2	Sasco Strut S5 (23.500" Long)
1	9500903624BT-P	0	9500 36" x 24" Bottom Part
1	9500903624T-P	0	9500 36" x 24" Top Part
1	9500903624RS-P	0	9500 90" x 36" Right Part
1	9500903624LS-P	0	9500 90" x 36" Left Part
1	9500903624B-P	0	9500 90" x 36" Back Part
3	STK-Q-16080	0	Ground Stud M6 x 16mm Steel
Qty	Part Number	Rev	Description
Parts List			

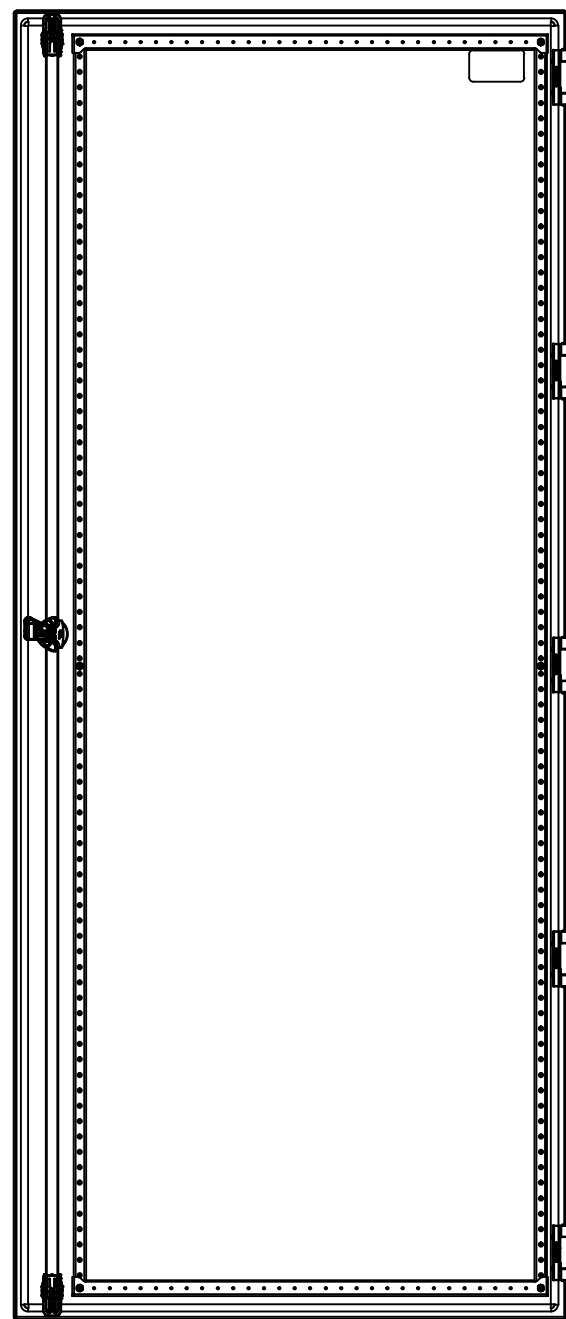
 Tél: (450) 979-4373 Fax: (450) 979-4626 www.exmweb.com		Flatness Aplatissement  Max 3.0mm
Projection 		Date 15-Sep-14
Customer Client		Date 15-Sep-14
Drawn By Dessiné Par BoxCad: BoxCad		Date 15-Sep-14
Material Matière 12 Ga Cold Rolled A1008 CS Type B (2.5mm)		
Color Couleur Asa-61 Grey	Finish Fini Smooth	
Description 9500 90" x 36" x 24" Body		Detail Rev.
Part Number Numéro Pièce 9500903624B		Rev. 8 0

This drawing is confidential and must not be reproduced or used without the consent of EXM

Ce dessin est confidentiel et ne doit pas être reproduit ou utilisé sans le consentement de EXM



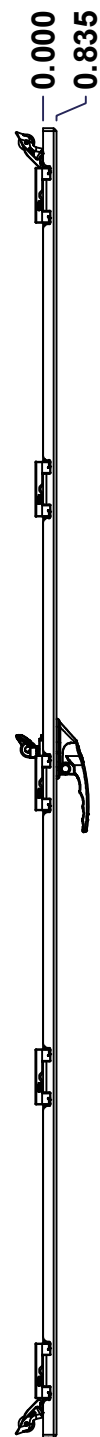
TOP



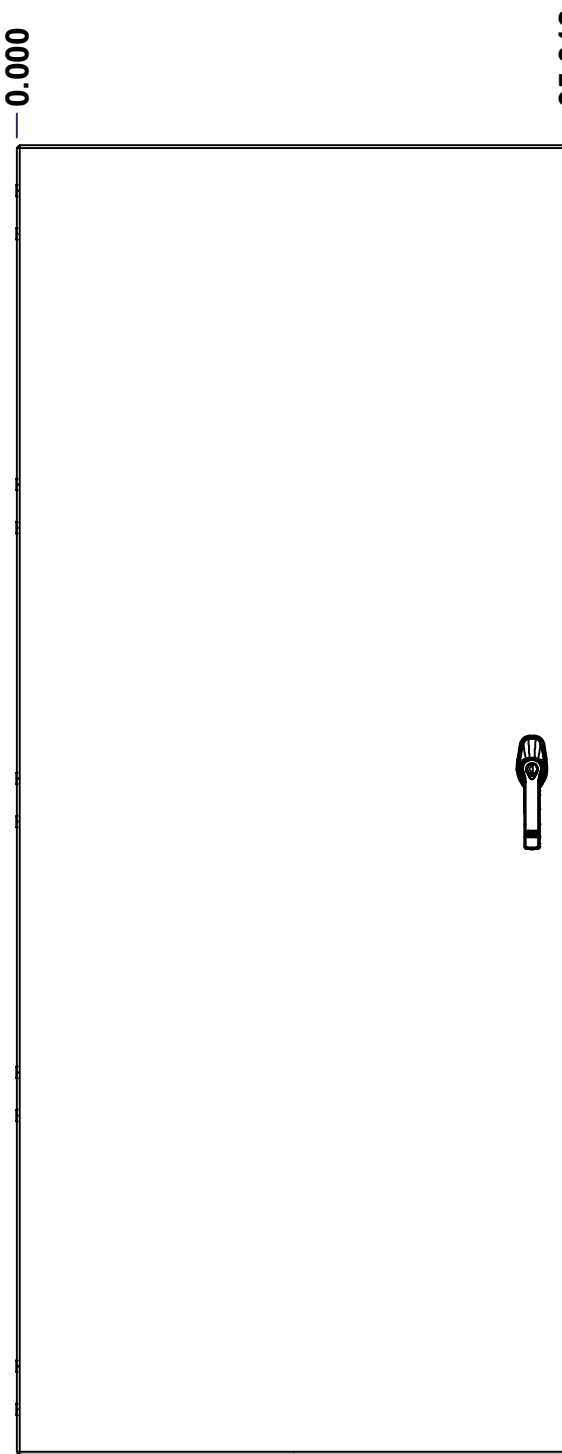
BACK



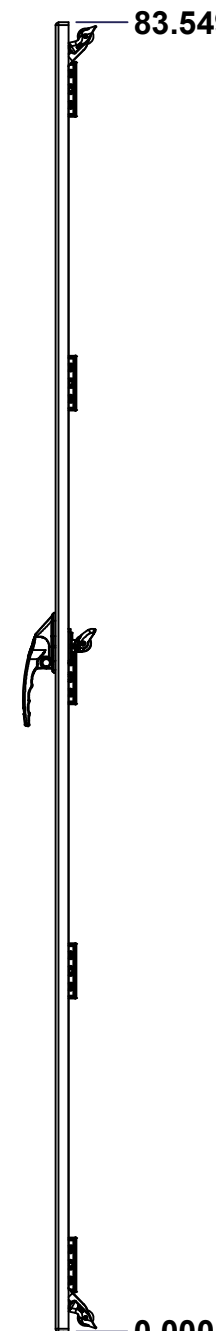
BOTTOM



LEFT



FRONT



RIGHT

0.000
0.835

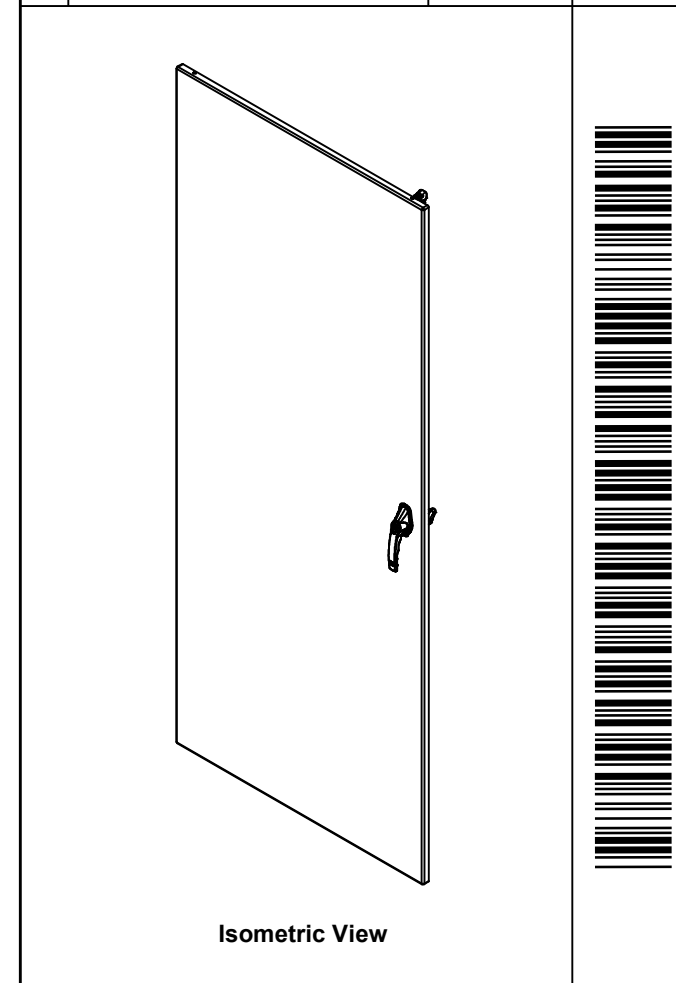
0.000

35.312


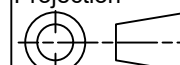
83.549

0.000

No.	Revisions	Date	By/Par



Isometric View

 Tél: (450) 979-4373 Fax: (450) 979-4626 www.exmweb.com		Flatness Aplatissement Max 3.0mm Projection 
Customer Client	Date	
Drawn By Dessiné Par	BoxCad: BoxCad	Date 15-Sep-14
Material Matière	12 Ga Cold Rolled A1008 CS Type B (2.5mm)	
Color Couleur	Asa-61 Grey	Finish Fini Smooth
Description	Detail Rev.	
9500 90" x 36" Cover		
Part Number Numéro Pièce	Rev. 0	9 12

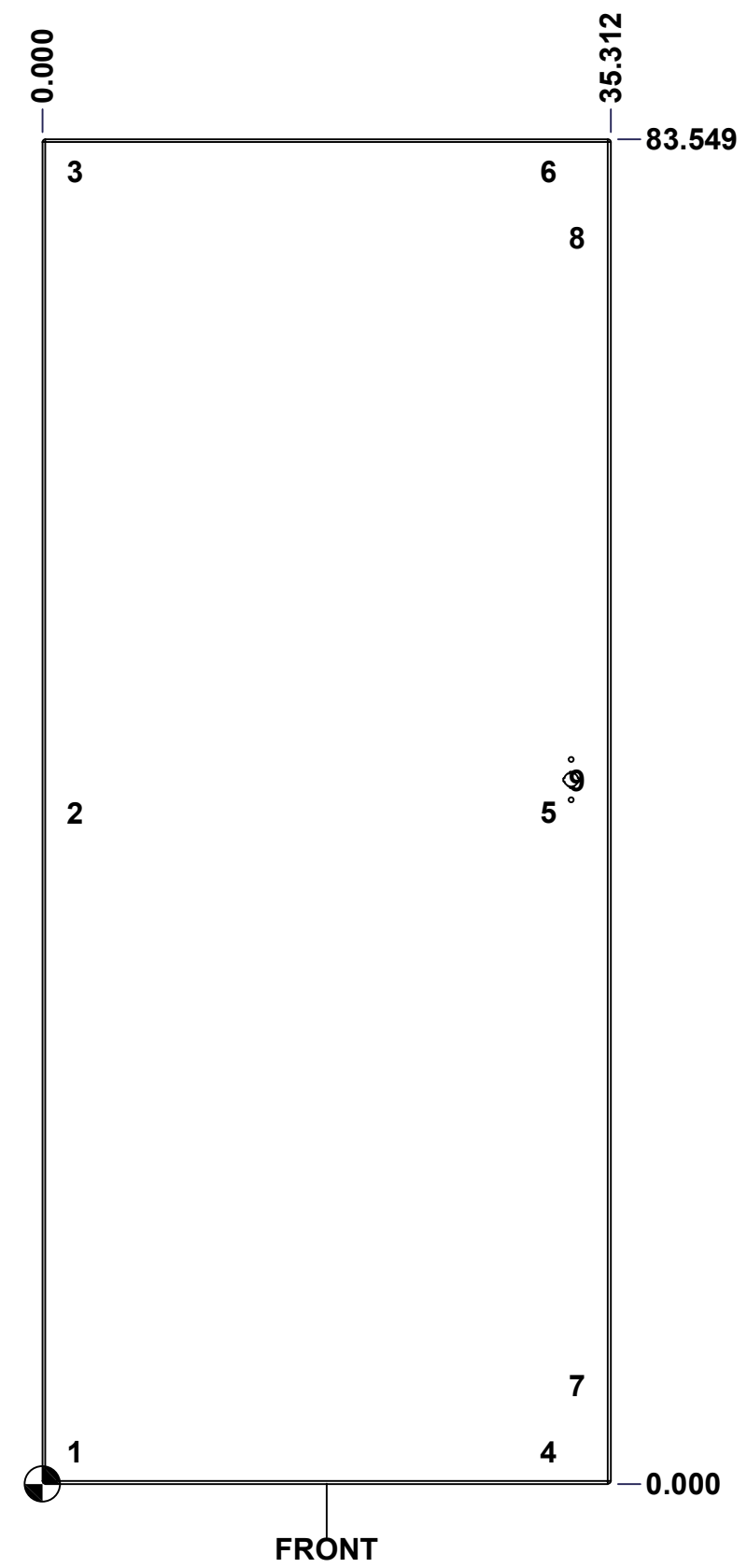
SEE BILL OF MATERIAL ON LAST PAGE

9500903624C

This drawing is confidential and must not be reproduced or used without the consent of EXM

Ce dessin est confidentiel et ne doit pas être reproduit ou utilisé sans le consentement de EXM

STANDARD FEATURES ARE NOT LISTED IN THIS HOLE TABLE			
HOLE TABLE - FRONT VIEW (CUSTOM FEATURE ONLY)			
CUT-OUT	XDIM	YDIM	DESCRIPTION
1	1.685	2.028	STUD M6 x 18mm (Inside)
2	1.685	41.713	STUD M6 x 18mm (Inside)
3	1.685	81.521	STUD M6 x 18mm (Inside)
4	31.092	2.028	STUD M6 x 18mm (Inside)
5	31.092	41.713	STUD M6 x 18mm (Inside)
6	31.092	81.521	STUD M6 x 18mm (Inside)
7	32.858	6.118	LARGE CBAR GUIDE (Inside)
8	32.858	77.430	LARGE CBAR GUIDE (Inside)
-----	-----	-----	-----
9	32.858	43.743	HANDLE 885 ESL2A-APHK @ 0.0°



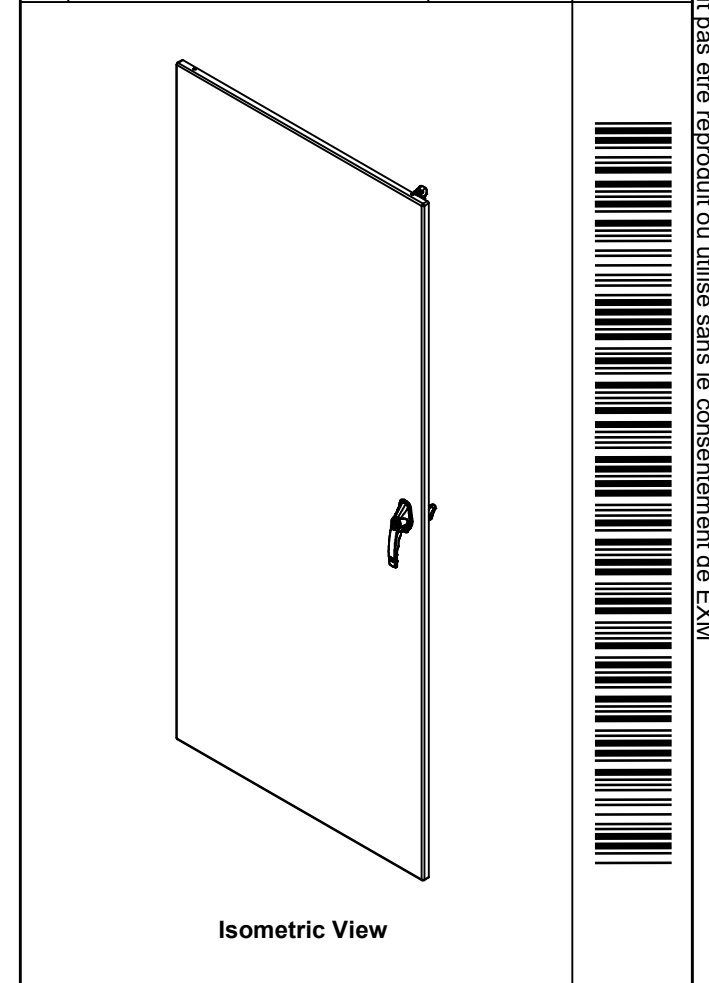
FRONT

	Description	Status	
	9500 90" x 36" Cover	(NULL)	
	Part Number Numéro Pièce	Rev.	10
	9500903624C	0	12

This drawing is confidential and must not be reproduced or used without the consent of EXM


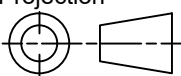
Ce dessin est confidentiel et ne doit pas être reproduit ou utilisé sans le consentement de EXM

No.	Revisions	Date	By/Par



1	STK-Q-47563	0	9500 Lower Closing Bar 90"
1	STK-Q-47553	0	9500 Upper Closing Bar 90"
2	STK-Q-07220	1	M6 Nylon Insert Lock Nut
1	STK-A-50538	3	9500 Handle Cam Assembly (Right Side, Grip 36mm)
1	STK-Q-90051	3	5412 ES - Handle Cam Spacer
1	885ESL2A-APHK	7	885 ESL2A-APHK - Zinc Die Cast L-Handle Padlockable Assy
1	STK-P-02400S	0	Powder Paint (Asa-61 Grey / Smooth)
1	STK-S-00100	0	3.5" x 2" Silver Milar Flexcon Sticker
1	STK-K-10880	5	9500 - Door Stiffener Assembly
2	STK-Q-16410	0	Guide Stud - Largel (No Paint Cap Required)
6	STK-Q-16055	1	M6 x 18mm Stud (No Paint Cap Required)
1	9500903624G	0	9500 90" x 36" Cover Gasket
1	9500903624C-P	0	9500 90" x 36" Cover Part
2	STK-A-90025	0	9500 - Cabinet Closing Bar End (Large)
5	STK-K-09860	7	Cabinet Hinge with Captive Pins

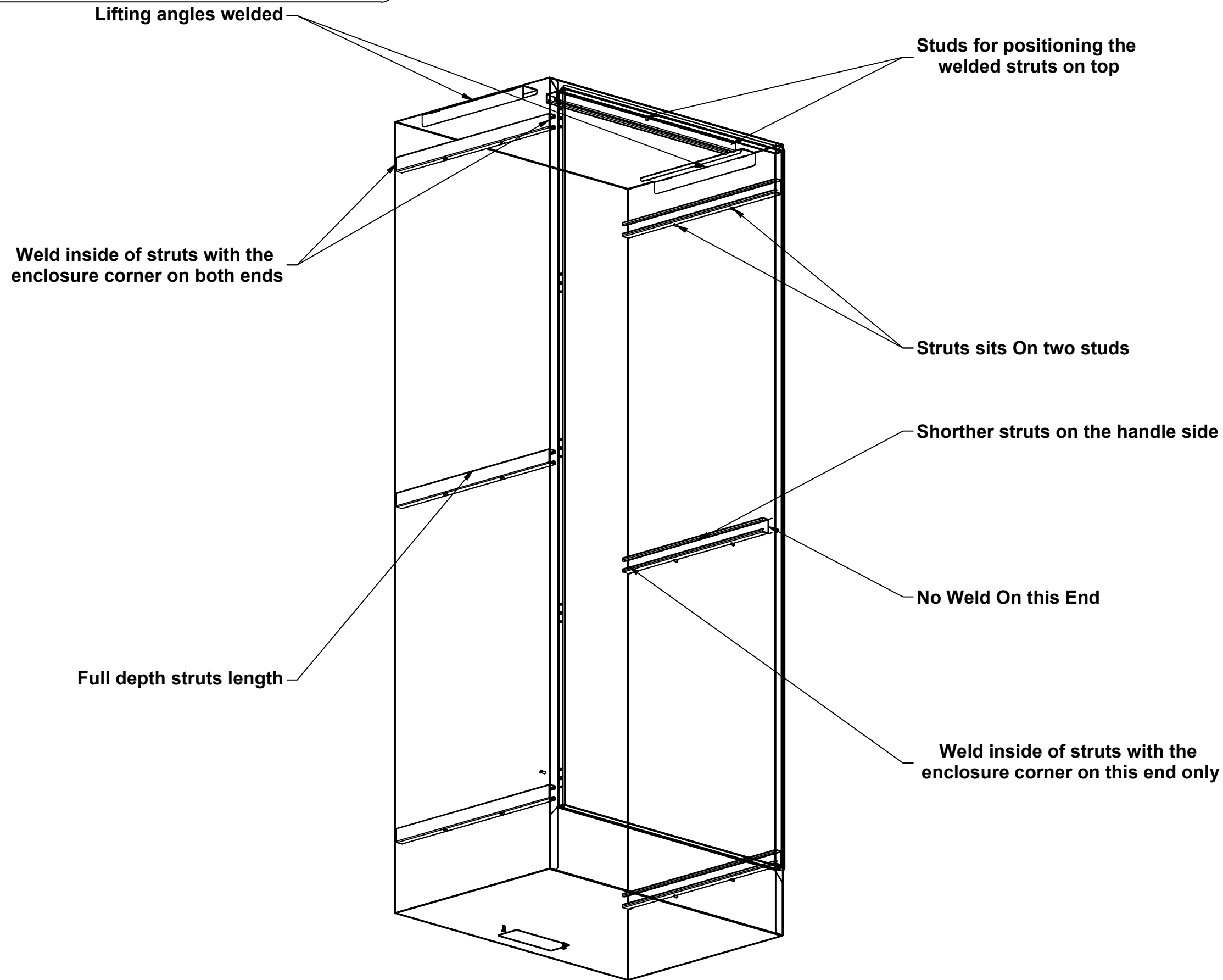
QTY	Part Number	Rev	Description
Parts List			

 Tél: (450) 979-4373 Fax: (450) 979-4626 www.exmweb.com	Flatness Aplatissement	Max 3.0mm
	Projection	
Customer Client	Date	
Drawn By Dessiné Par	BoxCad: BoxCad	Date 15-Sep-14
Material Matière	12 Ga Cold Rolled A1008 CS Type B (2.5mm)	
Color Couleur	Asa-61 Grey	Finish Fini Smooth
Description	Detail Rev.	
9500 90" x 36" Cover		
Part Number Numéro Pièce	Rev.	11
9500903624C	0	12

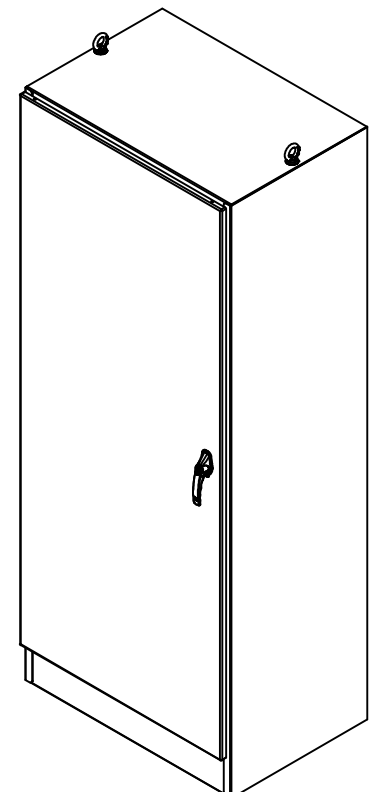
All knockouts are actual size / Les disques défonçables sont grandeur réel
 All dimensions are before paint / Toutes les dimensions sont avant peinture

This drawing is confidential and must not be reproduced or used without the consent of EXM

Ce dessin est confidentiel et ne doit pas être reproduit ou utilisé sans le consentement de EXM


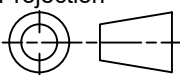


No.	Revisions	Date	By/Par



Isometric View



 Tél: (450) 979-4373 Fax: (450) 979-4626 www.exmweb.com		Flatness Aplatissement Max 3.0mm Projection 
Customer Client	Date	
Drawn By Dessiné Par	BoxCad	Date 11-Aug-05
Material Matière	12 Ga Cold Rolled A1008 CS Type B (2.5mm)	
Color Couleur	Asa-61 Grey	Finish Fini Smooth
Description 9500 90" x 36" x 24" Assembly		Detail Rev.
Part Number Numéro Pièce	9500 Welding Details	Rev. 12 0 12