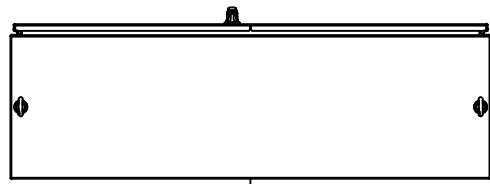
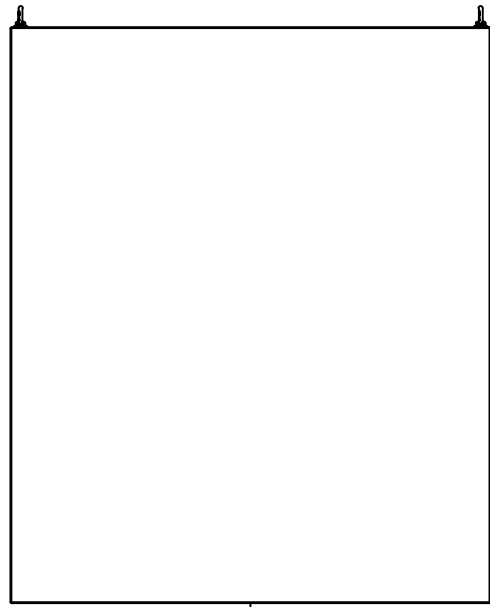


This drawing is confidential and must not be reproduced or used without the consent of EXM

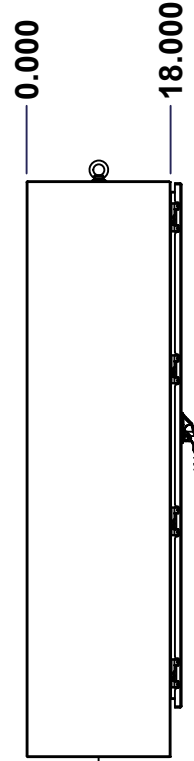
Ce dessin est confidentiel et ne doit pas être reproduit ou utilisé sans le consentement de EXM



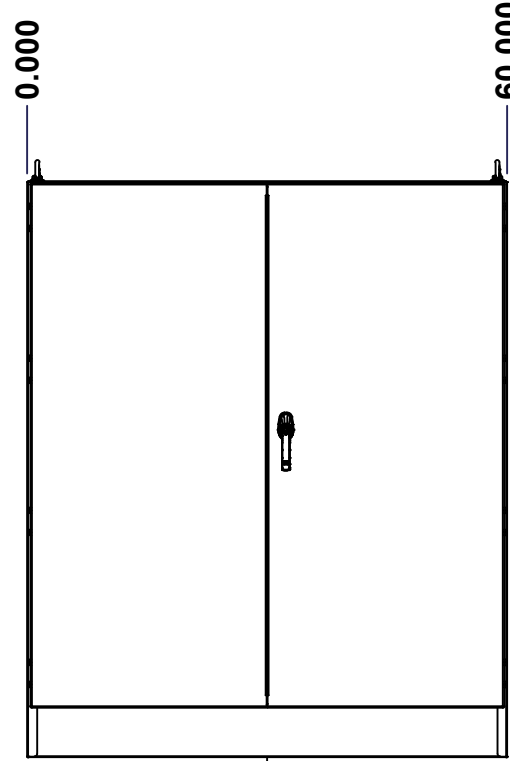
TOP



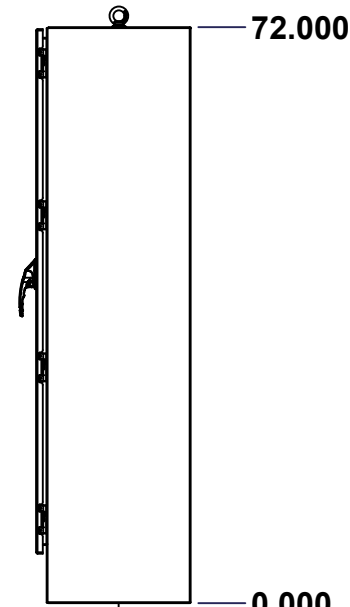
BACK



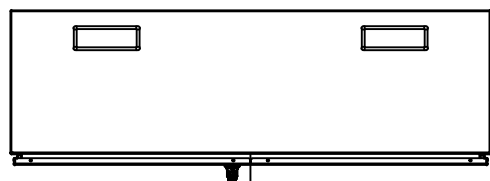
LEFT



FRONT

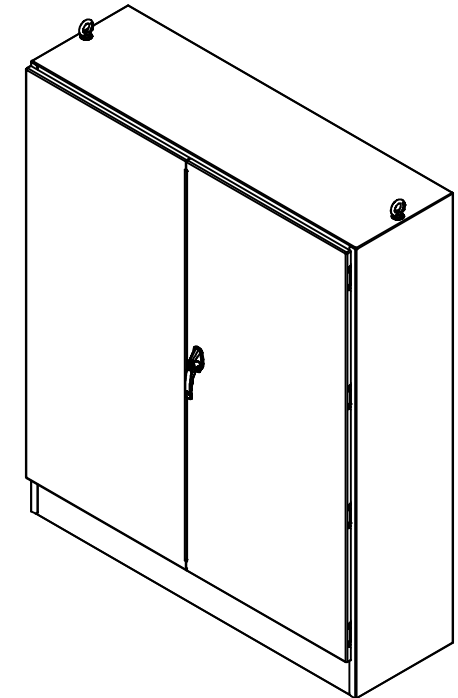


RIGHT



BOTTOM

| No. | Revisions | Date | By/Par |
|-----|-----------|------|--------|
|     |           |      |        |
|     |           |      |        |
|     |           |      |        |
|     |           |      |        |



Isometric View

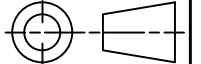


Tél: (450) 979-4373  
 Fax: (450) 979-4626  
[www.exmweb.com](http://www.exmweb.com)

Flatness  
Aplatissement

Max 3.0mm

Projection



|   |                 |
|---|-----------------|
| Customer Client   | Date            |
| Drawn By / Dessiné Par: BoxCad: BoxCad                      | Date: 07-Dec-21 |
| Material Matière: 12 Ga Cold Rolled A1008 CS Type B (2.5mm) |                 |

|                            |                     |
|----------------------------|---------------------|
| Color Couleur: Asa-61 Grey | Finish Fini: Smooth |
|----------------------------|---------------------|

|  |             |
|--|-------------|
| Description: 9500DD 72" x 60" x 18" Assembly | Detail Rev. |
|--|-------------|

|  |        |   |
|--|--------|---|
| Part Number / Numéro Pièce: 9500STDD726018 | Rev. 0 | 1 |
|--|--------|---|

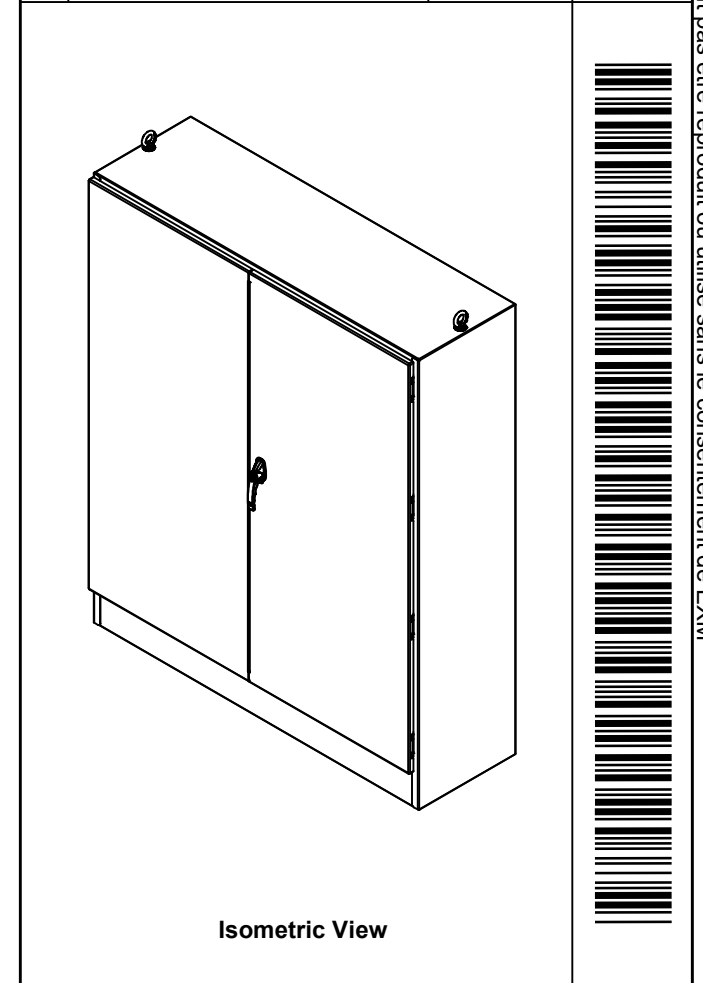
SEE BILL OF MATERIAL ON LAST PAGE

This drawing is confidential and must not be reproduced or used without the consent of EXM

Ce dessin est confidentiel et ne doit pas être reproduit ou utilisé sans le consentement de EXM

| NOTE |   |
|------|---|
| ITEM | DESCRIPTION                                     |
| 1    | NEMA 12, 13 Enclosure (IP55)                    |
| 2    | C/W Standard ground studs on box and cover      |
| 3    | C/W Standard door stiffener                     |
| 4    | W/O Inner panel                                 |
| 5    | C/W Standard inner panel mounting studs         |
| 6    | C/W Eyebolts sold separately (Installed by EXM) |
| 7    | C/W Struts installed (Included)                 |

| No. | Revisions | Date | By/Par |
|-----|-----------|------|--------|
|     |           |      |        |
|     |           |      |        |
|     |           |      |        |
|     |           |      |        |
|     |           |      |        |
|     |           |      |        |



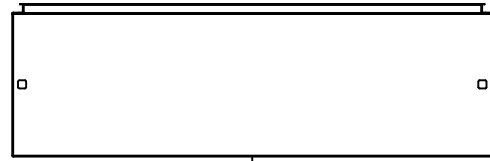
| PACKING               |     |  |
|-----------------------|-----|--|
| ITEM                  | QTY | DESCRIPTION                                    |
| Cardboard sleeve      | 2   | Top and Bottom                                 |
| Cardboard strip       | 2   | Between back of enclosure and inner panel      |
| Plastic bag           | 1   | To protect cover surface and inside gasket     |
| Cardboard corner      | 4   | To reinforced for the plastic strap tightening |
| Plastic strap - Black | 2   | To Squeeze 2 cardboard sleeve together         |
| Packaging label       | 3   | White label with PN                            |
| Plastic strap- Green  | 2   | To secure the enclosure to the wood pallet     |
| Wood Pallet           | 1   | 2" deeper and 3" larger than enclosure size    |

|            |                  |     |   |
|------------|------------------|-----|---|
| 1          | 880EB14          | 2   | Eye Bolt M14 (Pack of 2)                                |
| 1          | 9500STDD726018FD | 0   | 9500DD 72" x 60" Flange Door                            |
| 1          | 9500STDD726018LD | 0   | 9500DD 72" x 60" Lock Door                              |
| 1          | 9500STDD726018B  | 0   | 9500DD 72" x 60" x 18" Body                             |
| 2          | 9500STDD726018GP | 0   | 9500DD Gland Plate                                      |
| 8          | STK-Q-04050-10   | 8   | M6 x 10mm Hexagon Socket Head Machine Screw with Nyseal |
| Qty        | Part Number      | Rev | Description   |
| Parts List |                  |     |   |

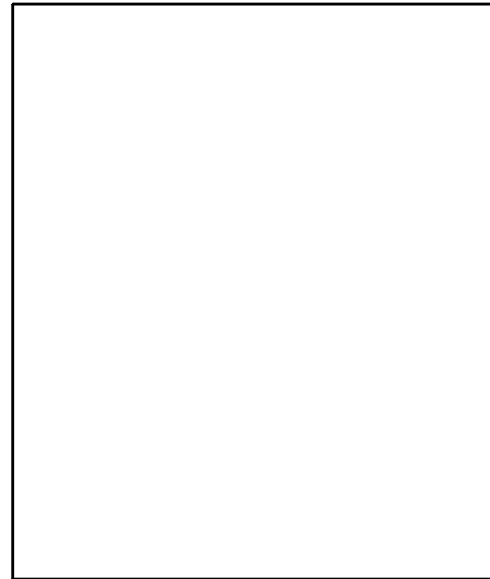
|  |  |  |  |
|--|--|--|--|
|  |  | Flatness<br>Aplatissement<br>Max 3.0mm<br>Projection<br> |  |
| Tél: (450) 979-4373<br>Fax: (450) 979-4626<br><a href="http://www.exmweb.com">www.exmweb.com</a> |  | Customer Client<br>Date                                  |  |
| Drawn By<br>Dessiné Par BoxCad: BoxCad   |  | Date 07-Dec-21   |  |
| Material<br>Matière 12 Ga Cold Rolled A1008 CS Type B (2.5mm)                                    |  | Color<br>Couleur Asa-61 Grey                             |  |
| Finish<br>Fini Smooth  |  | Description<br>9500DD 72" x 60" x 18" Assembly           |  |
| Part Number<br>Numéro Pièce <b>9500STDD726018</b>  |  | Detail Rev.<br>Rev. 2<br><b>0</b>                        |  |

This drawing is confidential and must not be reproduced or used without the consent of EXM

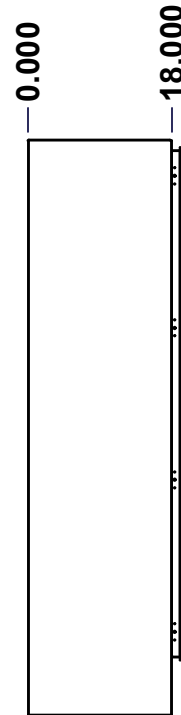
Ce dessin est confidentiel et ne doit pas être reproduit ou utilisé sans le consentement de EXM



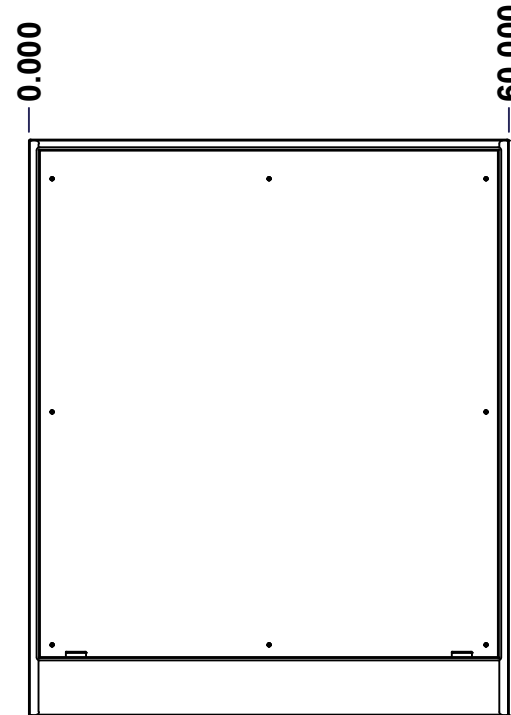
TOP



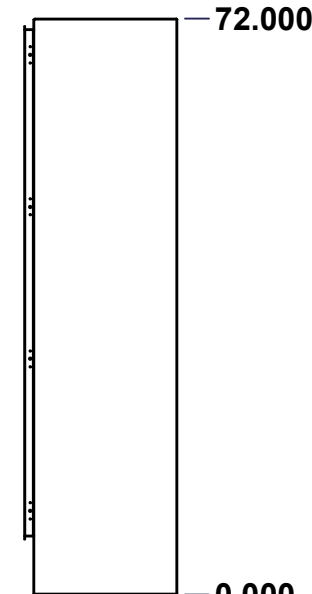
BACK



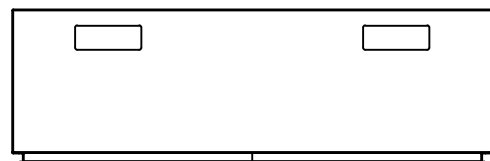
LEFT



FRONT

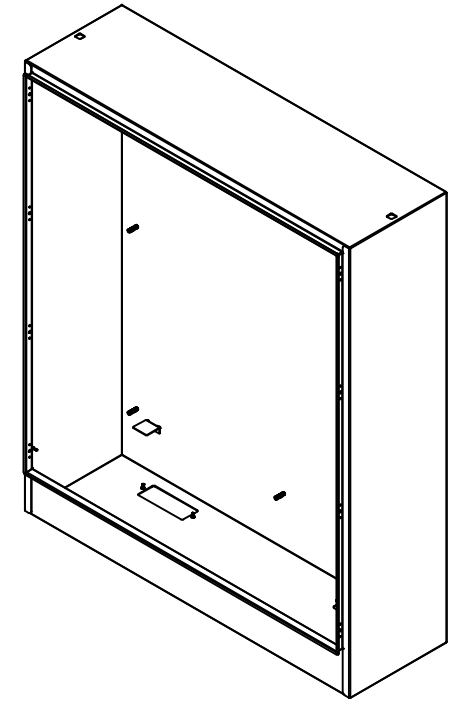


RIGHT



BOTTOM

| No. | Revisions | Date | By/Par |
|-----|-----------|------|--------|
|     |           |      |        |
|     |           |      |        |
|     |           |      |        |
|     |           |      |        |



Isometric View



Tél: (450) 979-4373  
 Fax: (450) 979-4626  
[www.exmweb.com](http://www.exmweb.com)

Flatness  
Aplatissement

Max 3.0mm

Projection



|   |                 |
|---|-----------------|
| Customer Client   | Date            |
| Drawn By / Dessiné Par: BoxCad: BoxCad                        | Date: 07-Dec-21 |
| Material / Matière: 12 Ga Cold Rolled A1008 CS Type B (2.5mm) |                 |

|                              |                       |
|------------------------------|-----------------------|
| Color / Couleur: Asa-61 Grey | Finish / Fini: Smooth |
|------------------------------|-----------------------|

|  |             |
|--|-------------|
| Description: 9500DD 72" x 60" x 18" Body | Detail Rev. |
|--|-------------|

|   |        |   |
|---|--------|---|
| Part Number / Numéro Pièce: 9500STDD726018B | Rev. 0 | 3 |
|---|--------|---|

SEE BILL OF MATERIAL ON LAST PAGE

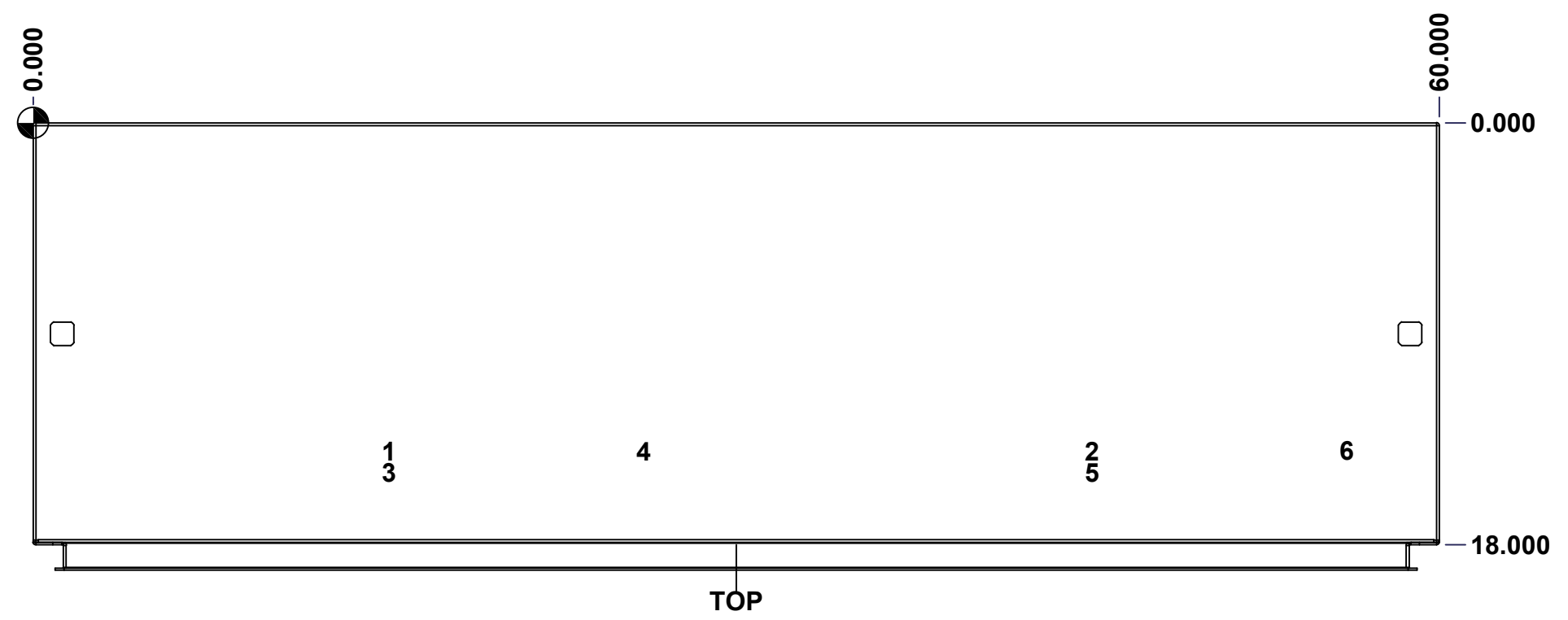
This drawing is confidential and must not be reproduced or used without the consent of EXM

Ce dessin est confidentiel et ne doit pas être reproduit ou utilisé sans le consentement de EXM

**STANDARD FEATURES ARE NOT LISTED IN THIS HOLE TABLE**

**HOLE TABLE - TOP VIEW (CUSTOM FEATURE ONLY)**

| CUT-OUT | XDIM   | YDIM   | DESCRIPTION                   |
|---------|--------|--------|-------------------------------|
| 1       | 15.000 | 14.000 | Struts CR400 21.500" (Inside) |
| 2       | 45.000 | 14.000 | Struts CR400 21.500" (Inside) |
| 3       | 15.000 | 14.929 | STUDS M6 x 10mm (Inside)      |
| 4       | 25.866 | 14.000 | STUDS M6 x 10mm (Inside)      |
| 5       | 45.000 | 14.929 | STUDS M6 x 10mm (Inside)      |
| 6       | 55.866 | 14.000 | STUDS M6 x 10mm (Inside)      |

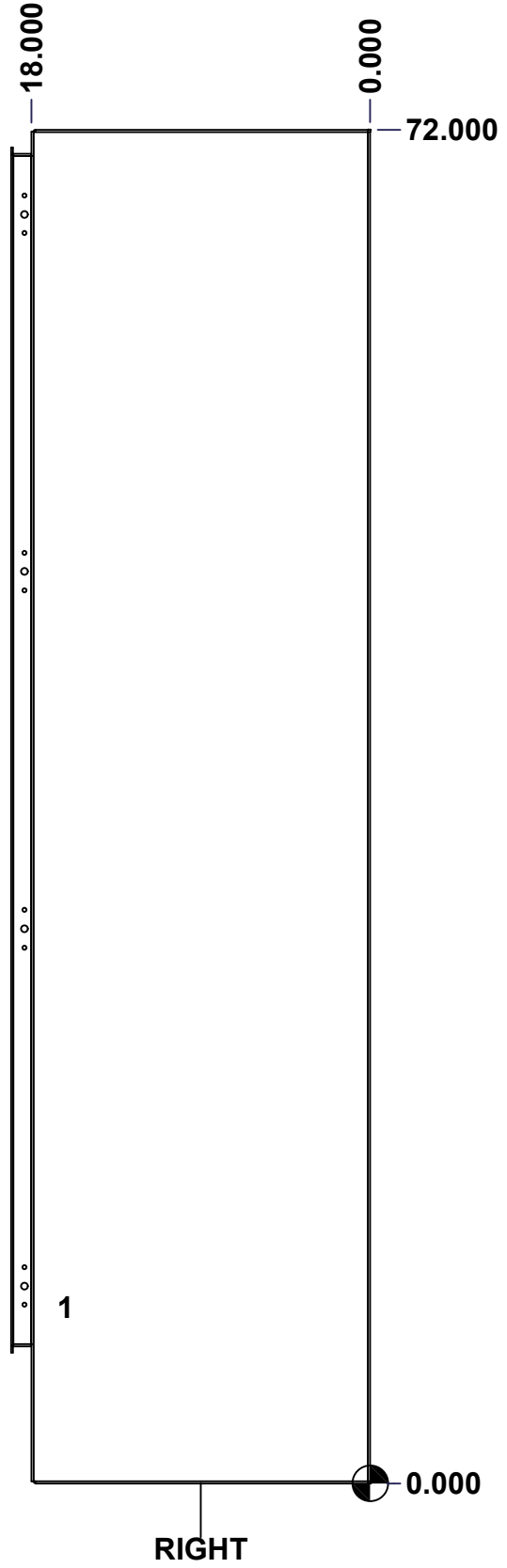


|  |                             |          |
|--|-----------------------------|----------|
|  | Description                 | Status   |
|  | 9500DD 72" x 60" x 18" Body | (NULL)   |
|  | Part Number<br>Numéro Pièce | Rev.     |
|  | <b>9500STDD726018B</b>      | <b>0</b> |
|  |                             | 4        |
|  |                             | 15       |

This drawing is confidential and must not be reproduced or used without the consent of EXM

Ce dessin est confidentiel et ne doit pas être reproduit ou utilisé sans le consentement de EXM

| <b>STANDARD FEATURES ARE NOT LISTED IN THIS HOLE TABLE</b> |        |       |                             |
|--|--------|-------|-----------------------------|
| <b>HOLE TABLE - RIGHT VIEW (CUSTOM FEATURE ONLY)</b>       |        |       |                             |
| CUT-OUT  | XDIM   | YDIM  | DESCRIPTION                 |
| 1  | 16.500 | 9.375 | GND STUD M6 x 16mm (Inside) |



|  |                             |              |
|--|-----------------------------|--------------|
|  | Description                 | Status       |
|  | 9500DD 72" x 60" x 18" Body | (NULL)       |
|  | Part Number<br>Numéro Pièce | Rev.         |
|  | <b>9500STDD726018B</b>      | <b>0</b> / 5 |
|  |                             | 15           |

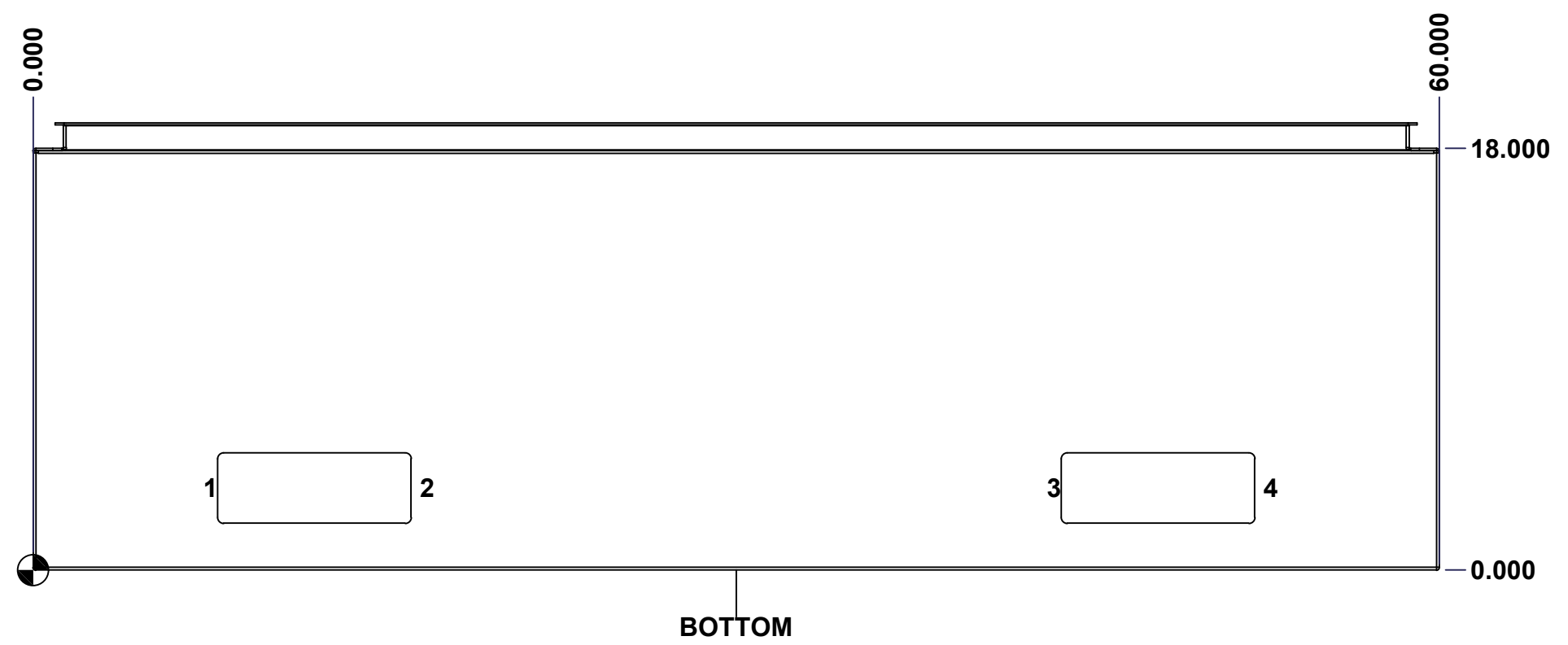
This drawing is confidential and must not be reproduced or used without the consent of EXM

Ce dessin est confidentiel et ne doit pas être reproduit ou utilisé sans le consentement de EXM

**STANDARD FEATURES ARE NOT LISTED IN THIS HOLE TABLE**

**HOLE TABLE - BOTTOM VIEW (CUSTOM FEATURE ONLY)**

| CUT-OUT | XDIM   | YDIM  | DESCRIPTION                |
|---------|--------|-------|----------------------------|
| 1       | 7.375  | 3.500 | GP STUD M6 x 16mm (Inside) |
| 2       | 16.625 | 3.500 | GP STUD M6 x 16mm (Inside) |
| 3       | 43.375 | 3.500 | GP STUD M6 x 16mm (Inside) |
| 4       | 52.625 | 3.500 | GP STUD M6 x 16mm (Inside) |

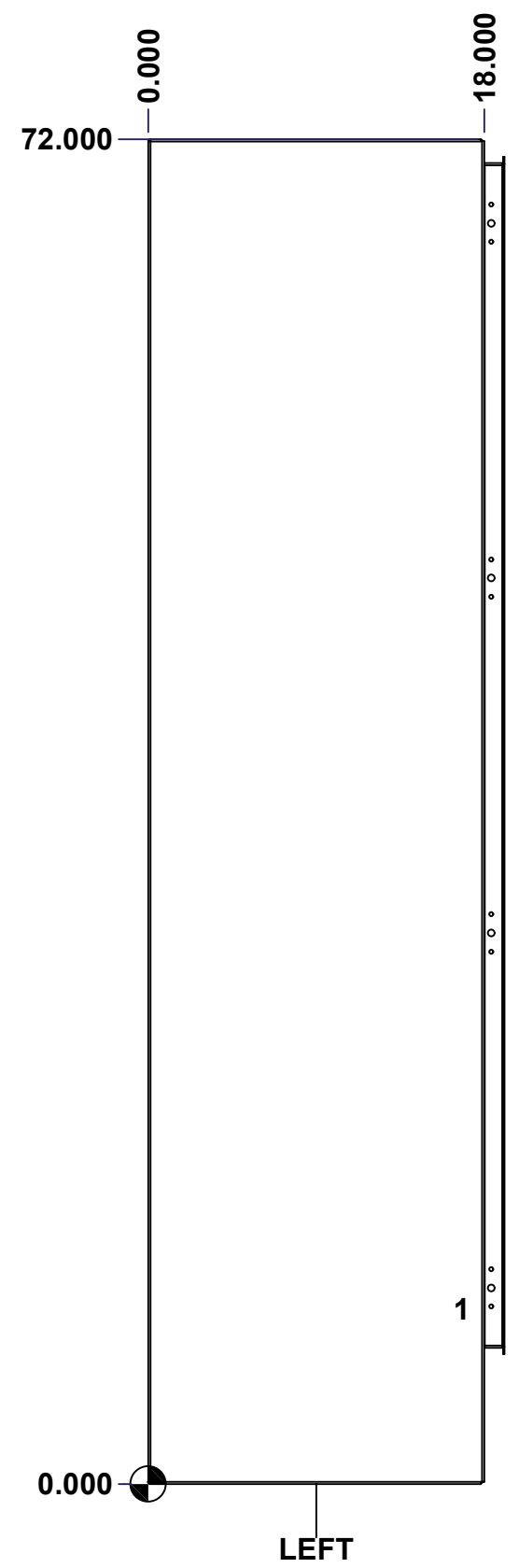


|   |                             |        |
|---|-----------------------------|--------|
|   | Description                 | Status |
|   | 9500DD 72" x 60" x 18" Body | (NULL) |
| Part Number<br>Numéro Pièce<br><b>9500STDD726018B</b> | Rev.                        | 6      |
|   | <b>0</b>                    | 15     |

This drawing is confidential and must not be reproduced or used without the consent of EXM

Ce dessin est confidentiel et ne doit pas être reproduit ou utilisé sans le consentement de EXM

| <b>STANDARD FEATURES ARE NOT LISTED IN THIS HOLE TABLE</b> |        |       |                             |
|--|--------|-------|-----------------------------|
| <b>HOLE TABLE - LEFT VIEW (CUSTOM FEATURE ONLY)</b>        |        |       |                             |
| CUT-OUT  | XDIM   | YDIM  | DESCRIPTION                 |
| 1  | 16.500 | 9.375 | GND STUD M6 x 16mm (Inside) |



|  |                             |          |    |
|--|-----------------------------|----------|----|
|  | Description                 | Status   |    |
|  | 9500DD 72" x 60" x 18" Body | (NULL)   |    |
|  | Part Number<br>Numéro Pièce | Rev.     | 7  |
|  | <b>9500STDD726018B</b>      | <b>0</b> | 15 |

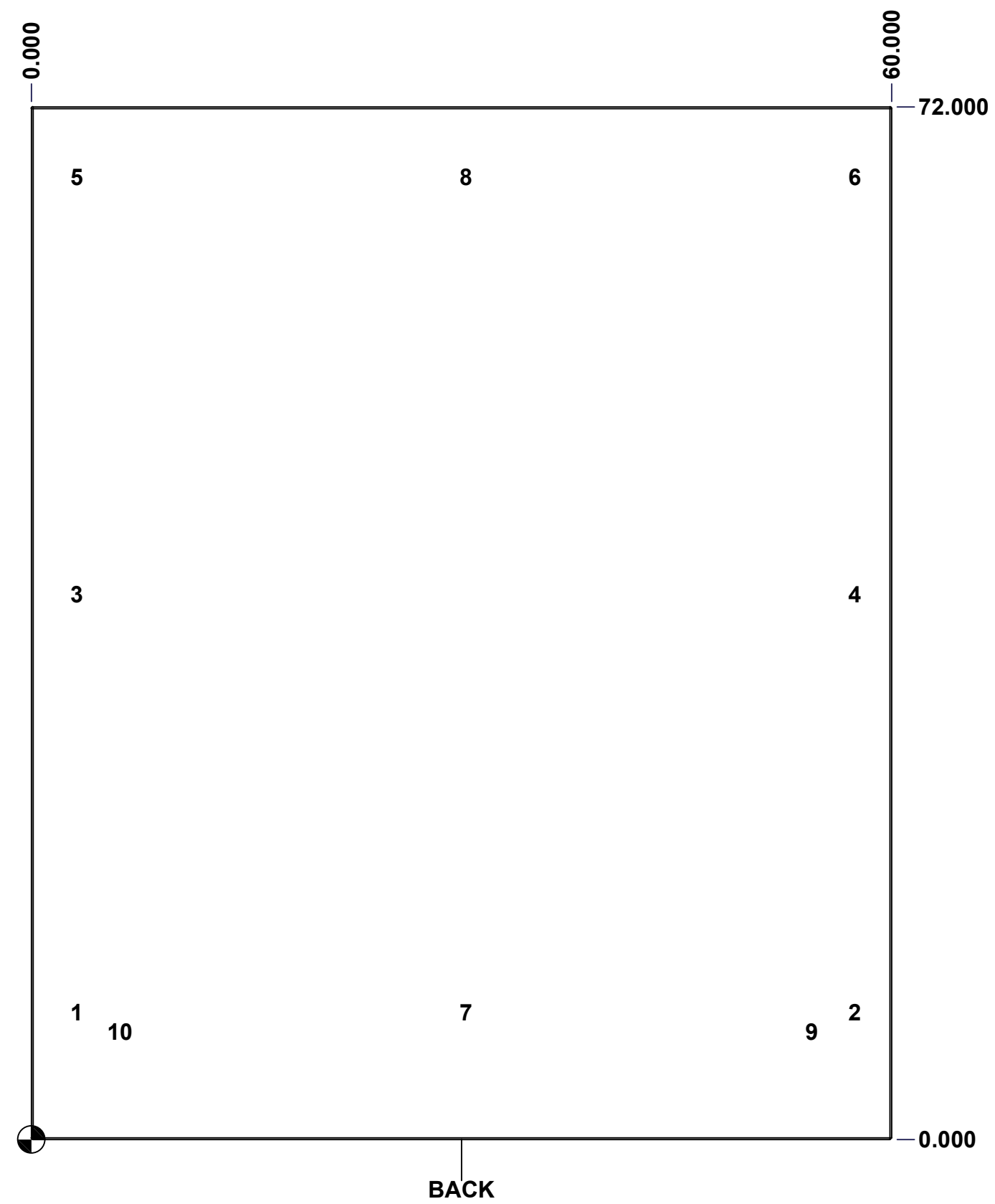
This drawing is confidential and must not be reproduced or used without the consent of EXM

Ce dessin est confidentiel et ne doit pas être reproduit ou utilisé sans le consentement de EXM

**STANDARD FEATURES ARE NOT LISTED IN THIS HOLE TABLE**

**HOLE TABLE - BACK VIEW (CUSTOM FEATURE ONLY)**

| CUT-OUT | XDIM   | YDIM   | DESCRIPTION                 |
|---------|--------|--------|-----------------------------|
| 1       | 2.875  | 8.875  | IP STUD M10 x 40mm (Inside) |
| 2       | 57.125 | 8.875  | IP STUD M10 x 40mm (Inside) |
| 3       | 2.875  | 38.000 | IP STUD M10 x 40mm (Inside) |
| 4       | 57.125 | 38.000 | IP STUD M10 x 40mm (Inside) |
| 5       | 2.875  | 67.125 | IP STUD M10 x 40mm (Inside) |
| 6       | 57.125 | 67.125 | IP STUD M10 x 40mm (Inside) |
| 7       | 30.000 | 8.875  | IP STUD M10 x 40mm (Inside) |
| 8       | 30.000 | 67.125 | IP STUD M10 x 40mm (Inside) |
| -----   | -----  | -----  | -----                       |
| 9       | 54.125 | 7.500  | IP SUPPORT ANGLE (Inside)   |
| 10      | 5.875  | 7.500  | IP SUPPORT ANGLE (Inside)   |

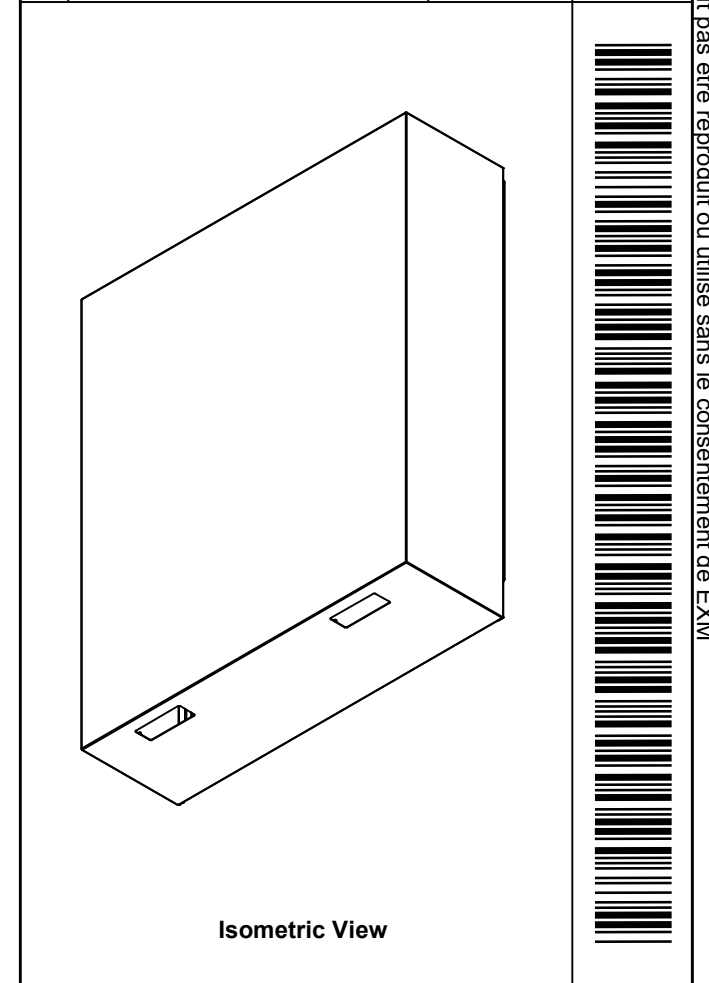


|  |                             |              |
|--|-----------------------------|--------------|
|  | Description                 | Status       |
|  | 9500DD 72" x 60" x 18" Body | (NULL)       |
|  | Part Number<br>Numéro Pièce | Rev.         |
|  | <b>9500STDD726018B</b>      | <b>0</b> / 8 |
|  |                             | 15           |

This drawing is confidential and must not be reproduced or used without the consent of EXM

Ce dessin est confidentiel et ne doit pas être reproduit ou utilisé sans le consentement de EXM

| No. | Revisions | Date | By/Par |
|-----|-----------|------|--------|
|     |           |      |        |
|     |           |      |        |
|     |           |      |        |
|     |           |      |        |
|     |           |      |        |




 Tél: (450) 979-4373  
 Fax: (450) 979-4626  
[www.exmweb.com](http://www.exmweb.com)

Flatness / Aplatissement: Max 3.0mm  
 Projection: 

|   |                 |
|---|-----------------|
| Customer Client   | Date            |
| Drawn By / Dessiné Par: BoxCad: BoxCad                        | Date: 07-Dec-21 |
| Material / Matière: 12 Ga Cold Rolled A1008 CS Type B (2.5mm) |                 |

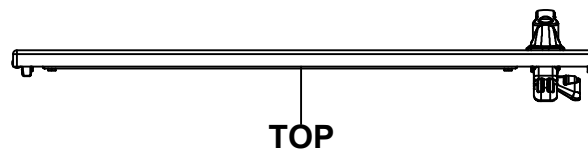
|  |                       |
|--|-----------------------|
| Color / Couleur: Asa-61 Grey             | Finish / Fini: Smooth |
| Description: 9500DD 72" x 60" x 18" Body | Detail Rev.           |

|  |        |   |
|--|--------|---|
| Part Number / Numéro Pièce: <b>9500STDD726018B</b> | Rev. 0 | 9 |
|--|--------|---|

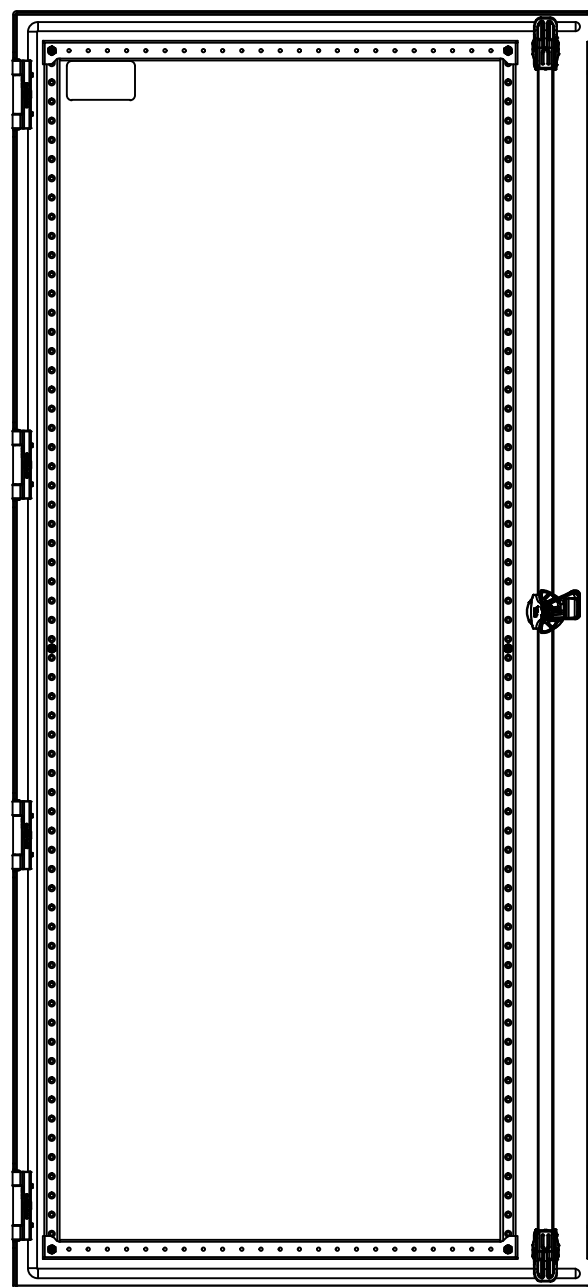
| Qty        | Part Number                  | Rev | Description                              |
|------------|------------------------------|-----|--|
| 4          | STK-Q-16030                  | 0   | Stud M6 x 10mm Steel                     |
| 2          | 9500STDD726018BPA-P          | 0   | 9500DD Inner Panel Support Angle         |
| 1          | STK-P-02400S                 | 0   | Powder Paint (Asa-61 Grey / Smooth)      |
| 2          | STK-Q-74900                  | 0   | Eyebolt Lifting Angle (8.750")           |
| 8          | STK-Q-16100                  | 0   | Stud M10 x 40mm Steel                    |
| 1          | 9500STDD726018B-P            | 0   | 9500DD 72" x 60" Body Part               |
| 2          | 9500STDD726018_CR400 MS_21.5 | 0   | Commercial Roll Mild Steel (21.5in long) |
| 6          | STK-Q-16080                  | 0   | Ground Stud M6 x 16mm Steel              |
| Parts List |                              |     |  |

This drawing is confidential and must not be reproduced or used without the consent of EXM

Ce dessin est confidentiel et ne doit pas être reproduit ou utilisé sans le consentement de EXM



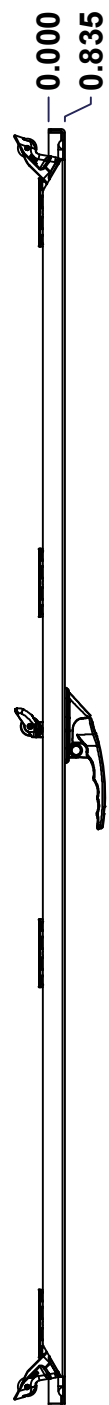
TOP



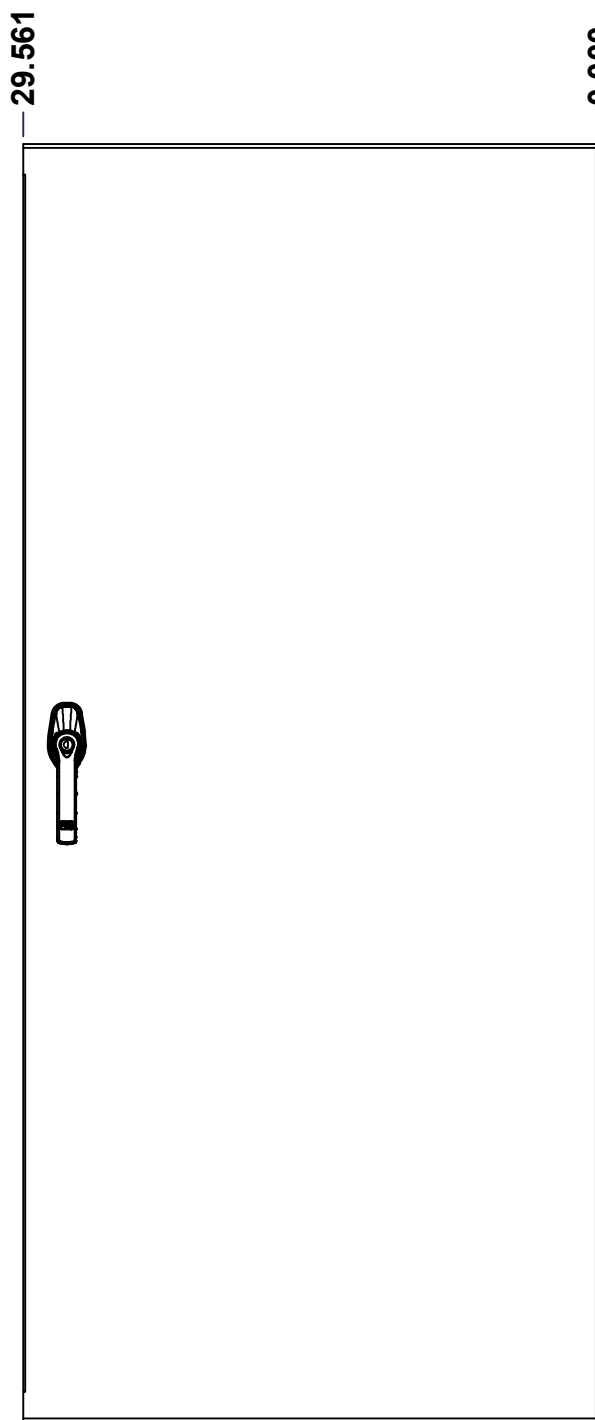
BACK



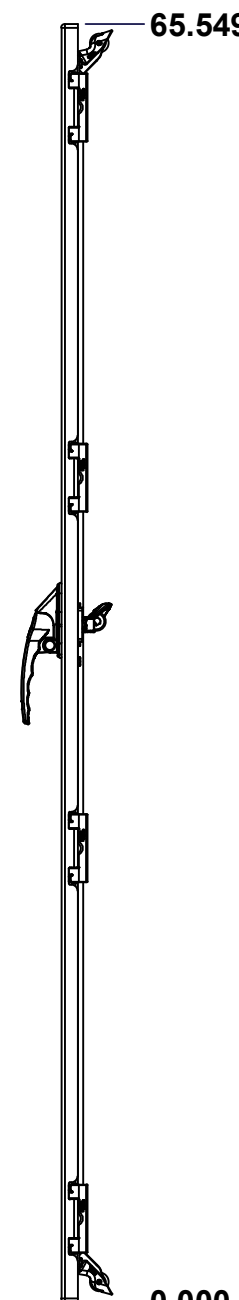
BOTTOM



LEFT



FRONT



RIGHT

0.000  
0.835

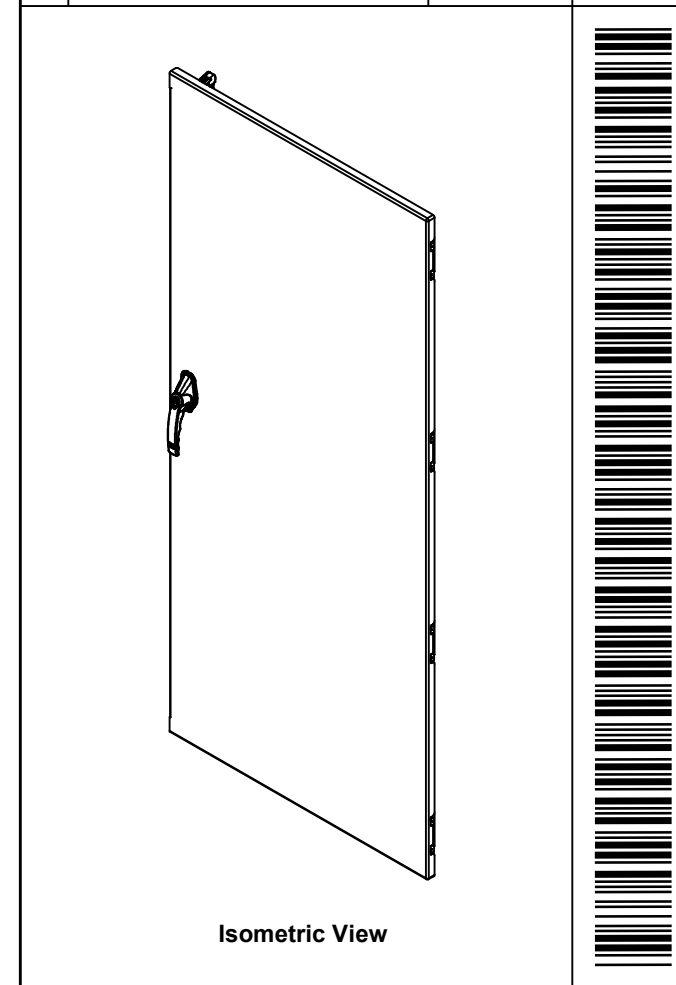
29.561

0.000

65.549


0.000

| No. | Revisions | Date | By/Par |
|-----|-----------|------|--------|
|     |           |      |        |
|     |           |      |        |
|     |           |      |        |
|     |           |      |        |
|     |           |      |        |



Isometric View



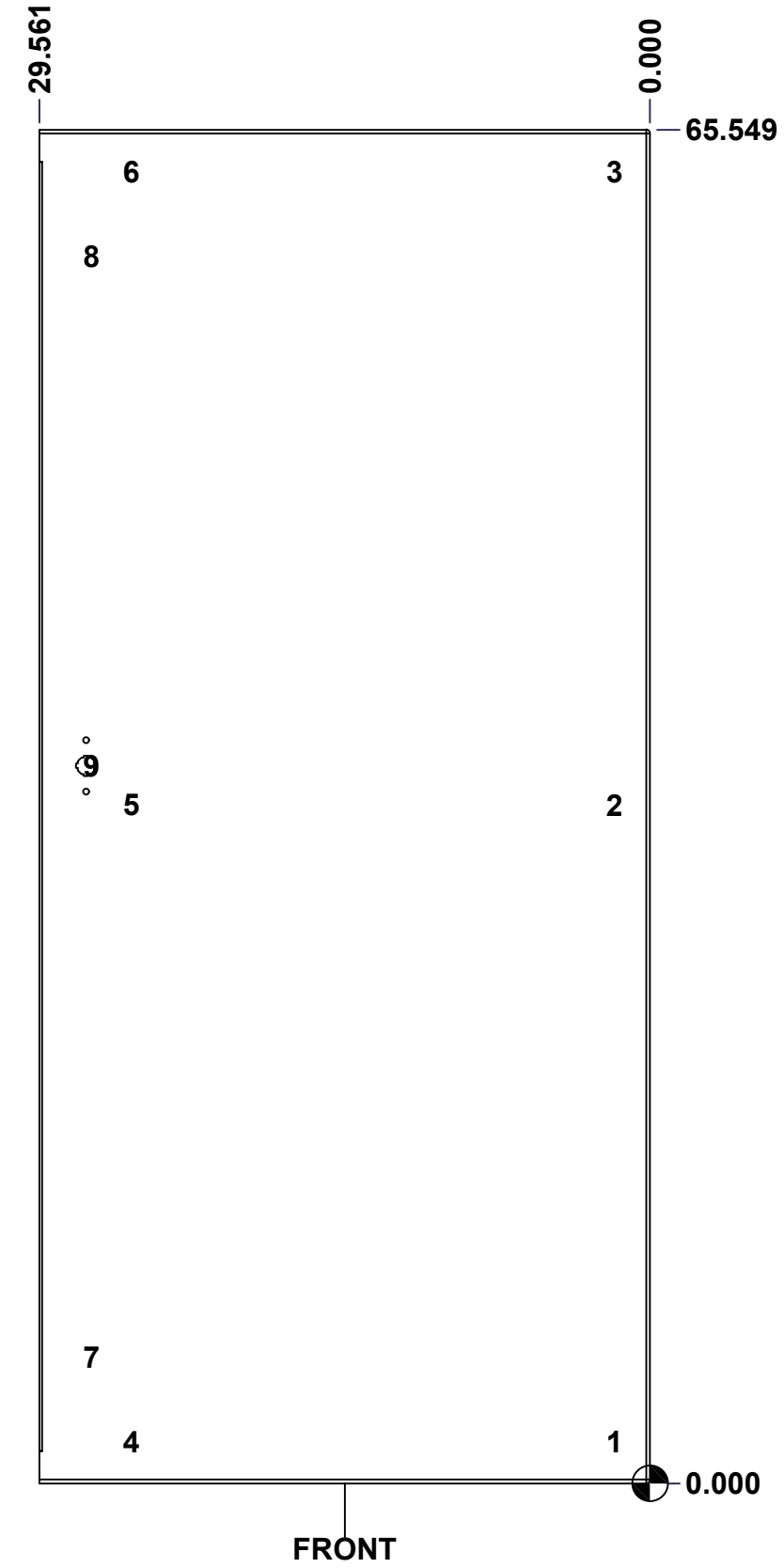
|  |   |   |
|--|---|---|
|  Tél: (450) 979-4373<br>Fax: (450) 979-4626<br><a href="http://www.exmweb.com">www.exmweb.com</a> |   | Flatness<br>Aplatissement<br>Max 3.0mm<br>Projection<br> |
| Customer Client  | Date                                      |   |
| Drawn By<br>Dessiné Par  | BoxCad: BoxCad                            | Date 07-Dec-21  |
| Material<br>Matière  | 12 Ga Cold Rolled A1008 CS Type B (2.5mm) |   |
| Color<br>Couleur   | Asa-61 Grey                               | Finish<br>Fini Smooth   |
| Description  |   | Detail Rev.   |
| 9500DD 72" x 60" Lock Door   |   |   |
| Part Number<br>Numéro Pièce  | Rev.                                      | 10  |
| 9500STDD726018LD   | 0   | 15  |

SEE BILL OF MATERIAL ON LAST PAGE

This drawing is confidential and must not be reproduced or used without the consent of EXM

Ce dessin est confidentiel et ne doit pas être reproduit ou utilisé sans le consentement de EXM

| STANDARD FEATURES ARE NOT LISTED IN THIS HOLE TABLE |        |        |                              |
|---|--------|--------|------------------------------|
| HOLE TABLE - FRONT VIEW (CUSTOM FEATURE ONLY)       |        |        |                              |
| CUT-OUT   | XDIM   | YDIM   | DESCRIPTION                  |
| 1   | 1.983  | 2.028  | STUD M6 x 18mm (Inside)      |
| 2   | 1.983  | 32.854 | STUD M6 x 18mm (Inside)      |
| 3   | 1.983  | 63.521 | STUD M6 x 18mm (Inside)      |
| 4   | 25.390 | 2.028  | STUD M6 x 18mm (Inside)      |
| 5   | 25.390 | 32.854 | STUD M6 x 18mm (Inside)      |
| 6   | 25.390 | 63.521 | STUD M6 x 18mm (Inside)      |
| 7   | 27.311 | 6.118  | LARGE CBAR GUIDE (Inside)    |
| 8   | 27.311 | 59.431 | LARGE CBAR GUIDE (Inside)    |
| -----   | -----  | -----  | -----                        |
| 9   | 27.311 | 34.743 | HANDLE 885 ESL2A-APHK @ 0.0° |



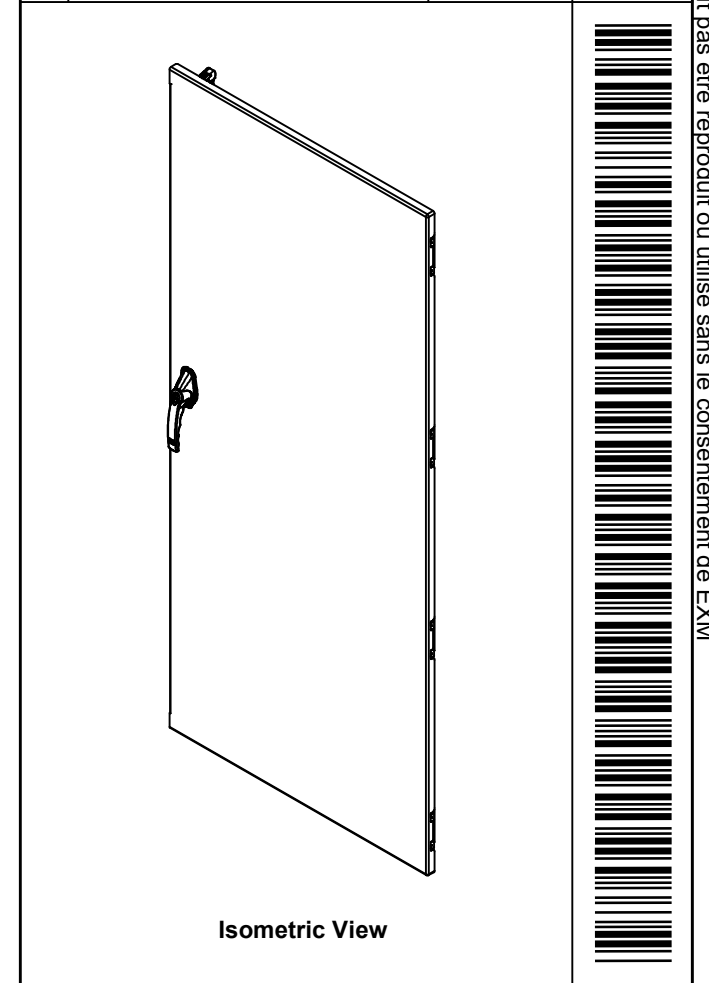
FRONT

|  |                             |               |
|--|-----------------------------|---------------|
|  | Description                 | Status        |
|  | 9500DD 72" x 60" Lock Door  | (NULL)        |
|  | Part Number<br>Numéro Pièce | Rev.          |
|  | <b>9500STDD726018LD</b>     | <b>0</b> / 11 |
|  |                             | 15            |

This drawing is confidential and must not be reproduced or used without the consent of EXM


Ce dessin est confidentiel et ne doit pas être reproduit ou utilisé sans le consentement de EXM

| No. | Revisions | Date | By/Par |
|-----|-----------|------|--------|
|     |           |      |        |
|     |           |      |        |
|     |           |      |        |
|     |           |      |        |
|     |           |      |        |



|   |                    |   |  |
|---|--------------------|---|--|
| 2 | STK-Q-07220        | 1 | M6 Nylon Insert Lock Nut                                 |
| 1 | STK-Q-47562        | 0 | 9500 Lower Closing Bar 72" (cam)                         |
| 1 | STK-Q-47552        | 0 | 9500 Upper Closing Bar 72" (cam)                         |
| 1 | STK-A-50537        | 3 | 9500 Handle Cam Assembly (Left Side, Grip 36mm)          |
| 1 | STK-Q-90051        | 3 | 5412 ES - Handle Cam Spacer                              |
| 1 | 885ESL2A-APHK      | 7 | 885 ESL2A-APHK - Zinc Die Cast L-Handle Padlockable Assy |
| 1 | STK-P-02400S       | 0 | Powder Paint (Asa-61 Grey / Smooth)                      |
| 1 | STK-S-00100        | 0 | 3.5" x 2" Silver Milar Flexcon Sticker                   |
| 1 | STK-K-10840        | 5 | 9500 - Door Stiffener Assembly                           |
| 2 | STK-Q-16410        | 0 | Guide Stud - Largel (No Paint Cap Required)              |
| 6 | STK-Q-16055        | 1 | M6 x 18mm Stud (No Paint Cap Required)                   |
| 1 | 9500STDD726018LDG  | 0 | 9500DD 72" x 60" Lock Door Gasket                        |
| 1 | 9500STDD726018LD-P | 0 | 9500DD 72" x 60" Lock Door Part                          |
| 2 | STK-A-90025        | 0 | 9500 - Cabinet Closing Bar End (Large)                   |
| 4 | STK-K-09860        | 7 | Cabinet Hinge with Captive Pins                          |

| QTY        | Part Number | Rev | Description |
|------------|-------------|-----|-------------|
| Parts List |             |     |             |

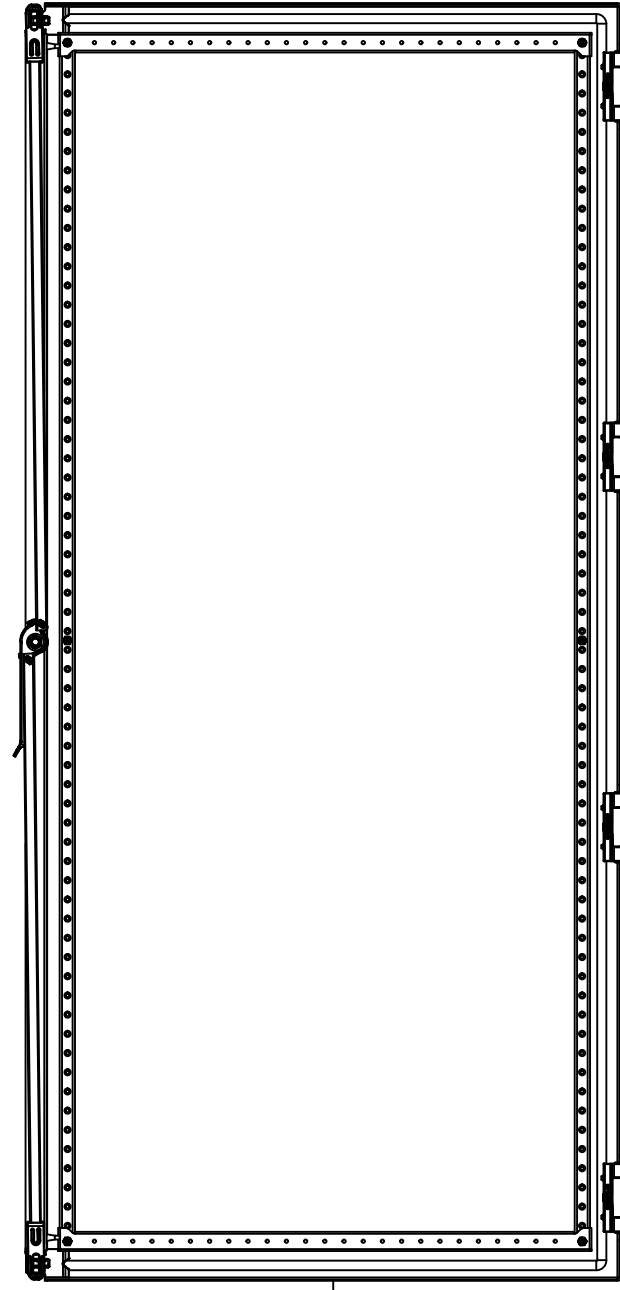
|  |  |   |             |
|--|--|---|-------------|
|  Tél: (450) 979-4373<br>Fax: (450) 979-4626<br><a href="http://www.exmweb.com">www.exmweb.com</a> |  | Flatness<br>Aplatissement                 |             |
|  |  | Max 3.0mm                                 |             |
| Customer<br>Client   |  | Date                                      |             |
| Drawn By<br>Dessiné Par  |  | Date 07-Dec-21                            |             |
| Material<br>Matière  |  | 12 Ga Cold Rolled A1008 CS Type B (2.5mm) |             |
| Color<br>Couleur   |  | Asa-61 Grey                               |             |
| Finish<br>Fini   |  | Smooth                                    |             |
| Description  |  |   | Detail Rev. |
| 9500DD 72" x 60" Lock Door   |  |   |             |
| Part Number<br>Numéro Pièce  |  | Rev.                                      | 12          |
| <b>9500STDD726018LD</b>  |  | <b>0</b>                                  | 15          |

This drawing is confidential and must not be reproduced or used without the consent of EXM

Ce dessin est confidentiel et ne doit pas être reproduit ou utilisé sans le consentement de EXM



TOP



BACK



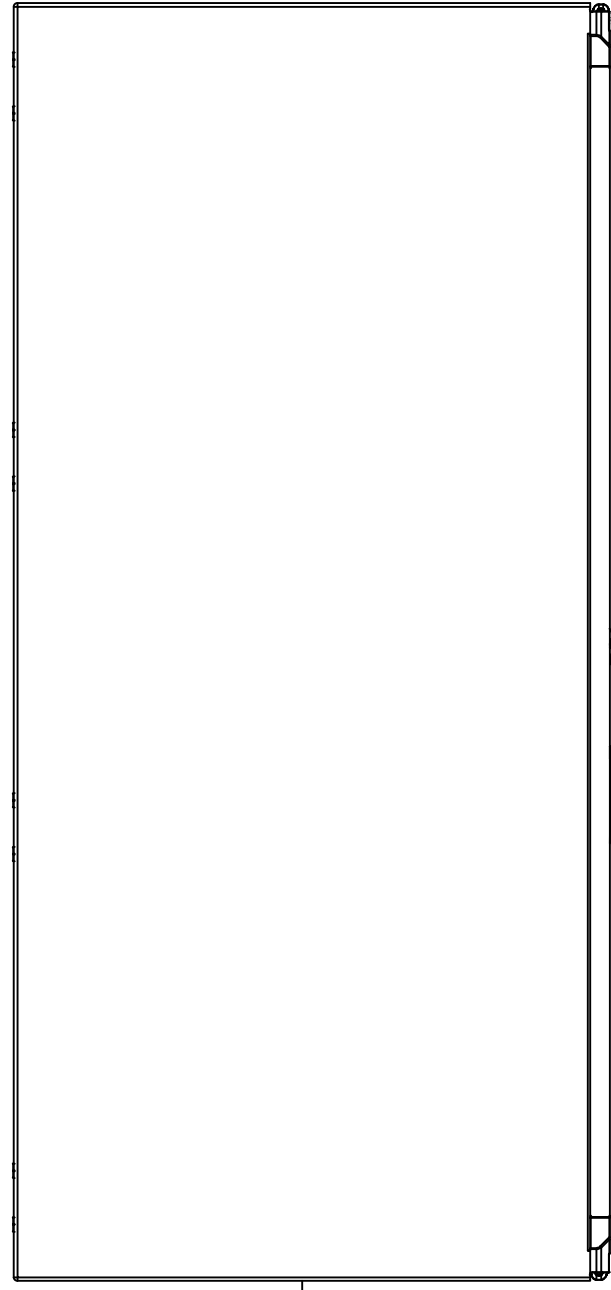
BOTTOM

0.000  
0.835



LEFT

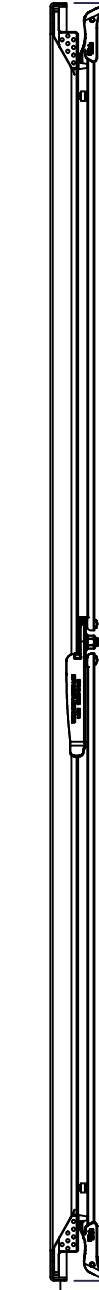
0.000



FRONT

29.561

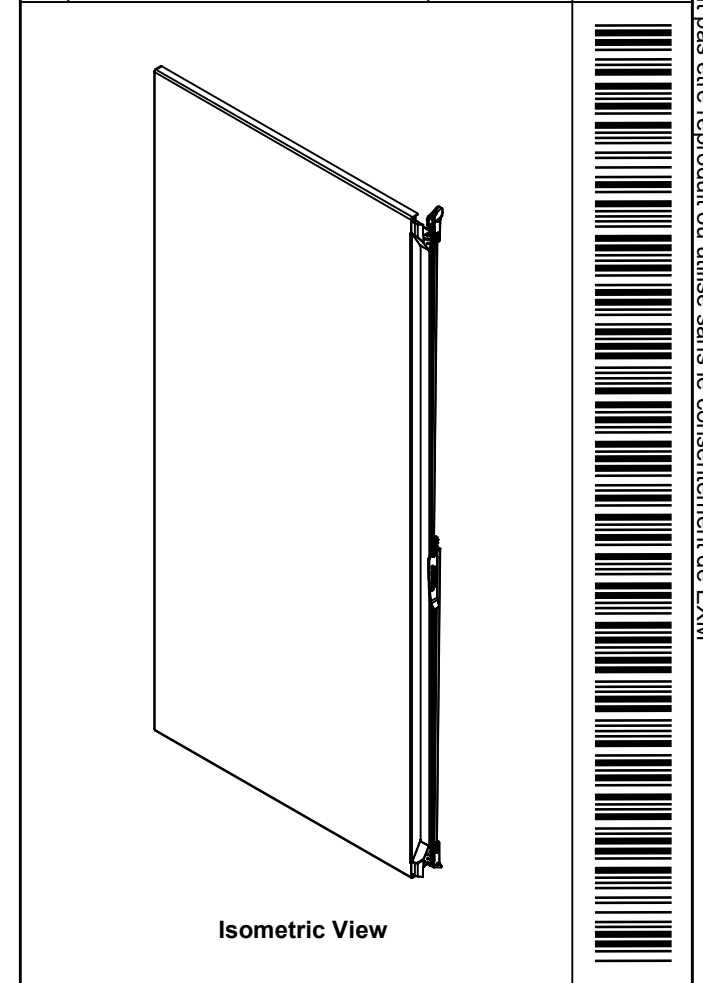
65.549




RIGHT

0.000

| No. | Revisions | Date | By/Par |
|-----|-----------|------|--------|
|     |           |      |        |
|     |           |      |        |
|     |           |      |        |
|     |           |      |        |



|  |                       |                           |
|--|-----------------------|---------------------------|
|  Tél: (450) 979-4373<br>Fax: (450) 979-4626<br><a href="http://www.exmweb.com">www.exmweb.com</a> |                       | Flatness<br>Aplatissement |
|  |                       | Max 3.0mm                 |
| Customer<br>Client   |                       | Date                      |
| Drawn By<br>Dessiné Par BoxCad: BoxCad   |                       | Date 07-Dec-21            |
| Material<br>Matière 12 Ga Cold Rolled A1008 CS Type B (2.5mm)  |                       |                           |
| Color<br>Couleur Asa-61 Grey   | Finish<br>Fini Smooth |                           |
| Description<br>9500DD 72" x 60" Flange Door  |                       | Detail Rev.               |
| Part Number<br>Numéro Pièce <b>9500STDD726018FD</b>  |                       | Rev. 13<br><b>0</b>       |

SEE BILL OF MATERIAL ON LAST PAGE

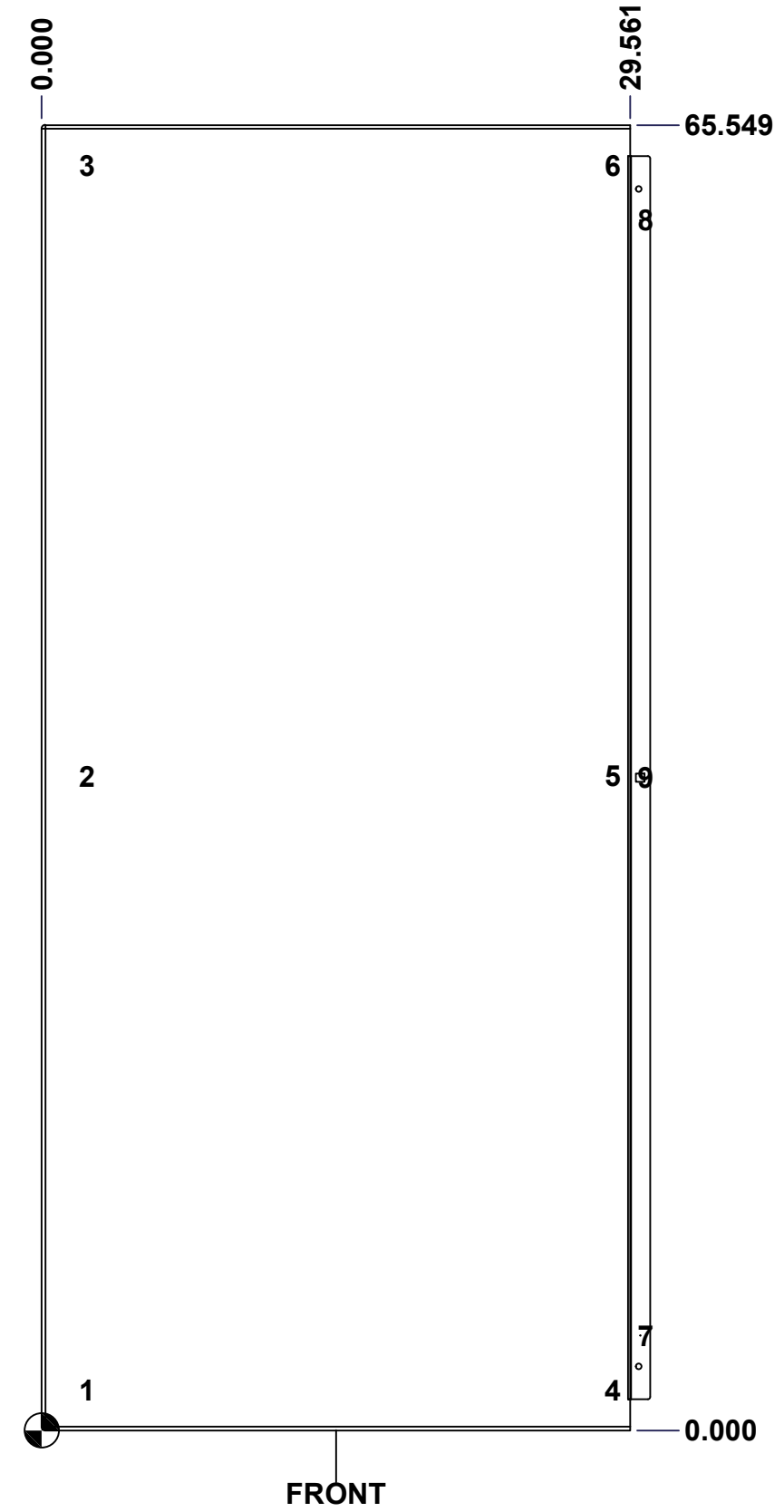
This drawing is confidential and must not be reproduced or used without the consent of EXM

Ce dessin est confidentiel et ne doit pas être reproduit ou utilisé sans le consentement de EXM

**STANDARD FEATURES ARE NOT LISTED IN THIS HOLE TABLE**

**HOLE TABLE - FRONT VIEW (CUSTOM FEATURE ONLY)**

| CUT-OUT | XDIM   | YDIM   | DESCRIPTION               |
|---------|--------|--------|---------------------------|
| 1       | 2.000  | 2.028  | STUD M6 x 18mm (Inside)   |
| 2       | 2.000  | 32.854 | STUD M6 x 18mm (Inside)   |
| 3       | 2.000  | 63.521 | STUD M6 x 18mm (Inside)   |
| 4       | 28.407 | 2.028  | STUD M6 x 18mm (Inside)   |
| 5       | 28.407 | 32.854 | STUD M6 x 18mm (Inside)   |
| 6       | 28.407 | 63.521 | STUD M6 x 18mm (Inside)   |
| 7       | 30.061 | 4.774  | SMALL CBAR GUIDE (Inside) |
| 8       | 30.061 | 60.775 | SMALL CBAR GUIDE (Inside) |
| 9       | 30.061 | 32.774 | Carriage Bolt M10 x 28mm  |



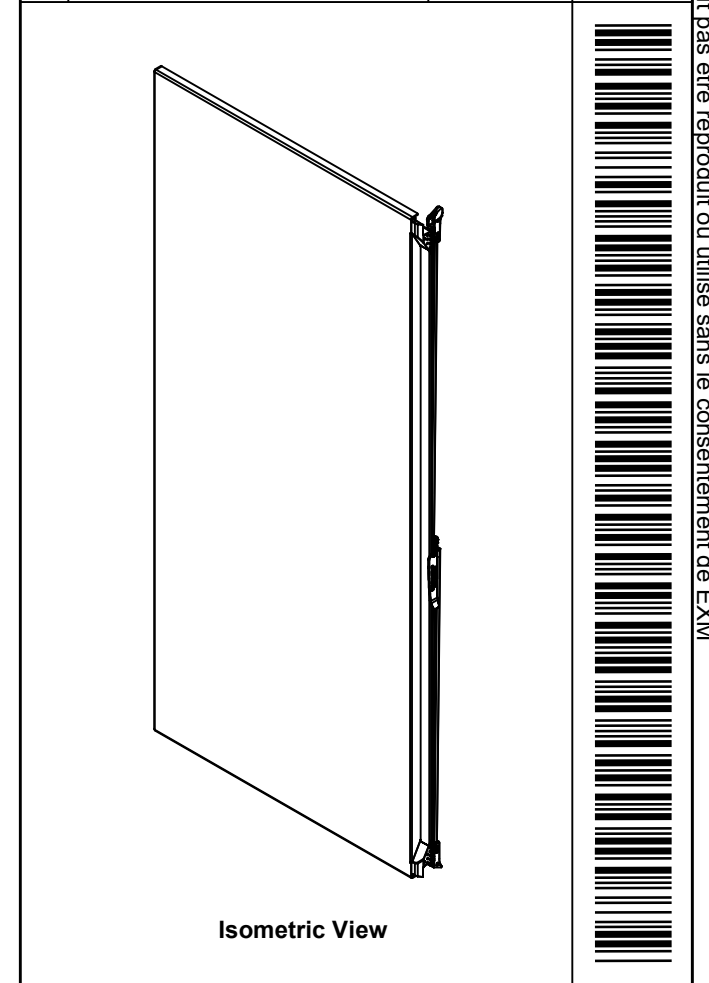
FRONT

|  |                              |          |
|--|------------------------------|----------|
|  | Description                  | Status   |
|  | 9500DD 72" x 60" Flange Door | (NULL)   |
|  | Part Number                  | Rev.     |
|  | Numéro Pièce                 | 14       |
|  | <b>9500STDD726018FD</b>      | <b>0</b> |
|  |                              | 15       |

This drawing is confidential and must not be reproduced or used without the consent of EXM

Ce dessin est confidentiel et ne doit pas être reproduit ou utilisé sans le consentement de EXM

| No. | Revisions | Date | By/Par |
|-----|-----------|------|--------|
|     |           |      |        |
|     |           |      |        |
|     |           |      |        |
|     |           |      |        |
|     |           |      |        |



| 1          | STK-P-02400S       | 0   | Powder Paint (Asa-61 Grey / Smooth)           |
|------------|--------------------|-----|---|
| 1          | STK-G-03400        | 4   | 5500 DD Lower Flange Door Gasket              |
| 1          | STK-G-03300        | 4   | 5500 DD Upper Flange Door Gasket              |
| 2          | STK-Q-90045        | 1   | 5500 DDS Flange Door Closing Bar End Assembly |
| 2          | STK-Q-45660-72     | 2   | 9500 DD - Flange Door Closing Bar             |
| 1          | STK-Q-07440        | 0   | M10 Nylon Insert Flanged Lock Nut             |
| 1          | STK-Q-50568        | 1   | Flange Door Handle Spacer                     |
| 1          | STK-A-50556        | 4   | Left Side Flange Door Handle Assembly         |
| 1          | STK-K-20840        | 5   | 9500 - Flange Door Stiffener Assembly         |
| 1          | STK-Q-00520        | 2   | M10 x 28mm Stainless Steel 316 Carriage Bolt  |
| 2          | STK-Q-16405        | 7   | Guide Stud - Small (No Paint Cap Required)    |
| 6          | STK-Q-16055        | 1   | M6 x 18mm Stud (No Paint Cap Required)        |
| 1          | STK-G-00701        | 0   | 1" x 1/4" Self-Adhesive Neoprene Gasket       |
| 1          | 9500STDD726018FDG  | 0   | 9500DD 72" x 60" Flange Door Gasket           |
| 1          | 9500STDD726018FD-P | 0   | 9500DD 72" x 60" Flange Door Part             |
| 4          | STK-K-09860        | 7   | Cabinet Hinge with Captive Pins               |
| QTY        | Part Number        | Rev | Description                                   |
| Parts List |                    |     |   |

|   |   |                       |
|---|---|-----------------------|
| <p>Tél: (450) 979-4373<br/>Fax: (450) 979-4626<br/><a href="http://www.exmweb.com">www.exmweb.com</a></p> | Flatness<br>Aplatissement                 | Max 3.0mm             |
|   | Projection                                |                       |
| Customer<br>Client  | Date                                      |                       |
| Drawn By<br>Dessiné Par   | BoxCad: BoxCad                            | Date 07-Dec-21        |
| Material<br>Matière   | 12 Ga Cold Rolled A1008 CS Type B (2.5mm) |                       |
| Color<br>Couleur  | Asa-61 Grey                               | Finish<br>Fini Smooth |
| Description   | Detail Rev.                               |                       |
| 9500DD 72" x 60" Flange Door  |   |                       |
| Part Number<br>Numéro Pièce   | Rev. 0                                    | 15                    |
| <b>9500STDD726018FD</b>   |   | 15                    |