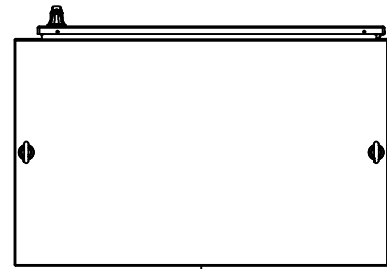
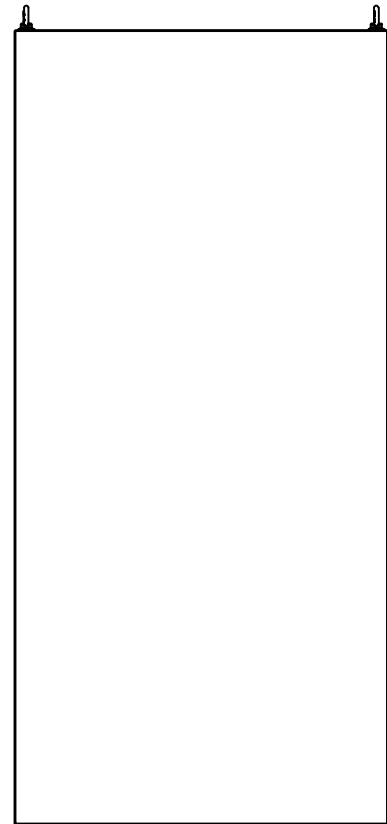


This drawing is confidential and must not be reproduced or used without the consent of EXM

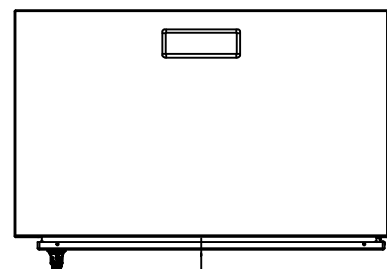
Ce dessin est confidentiel et ne doit pas être reproduit ou utilisé sans le consentement de EXM



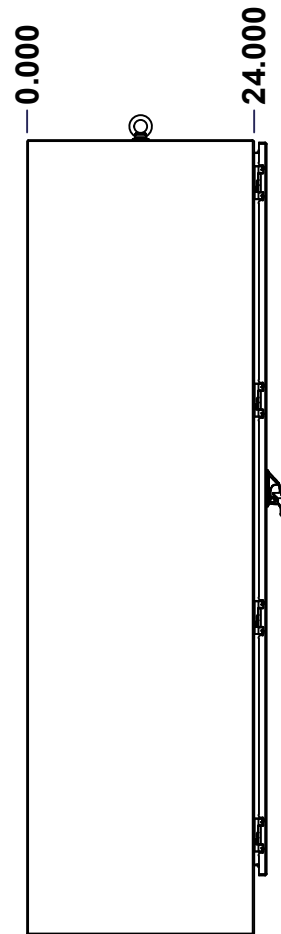
TOP



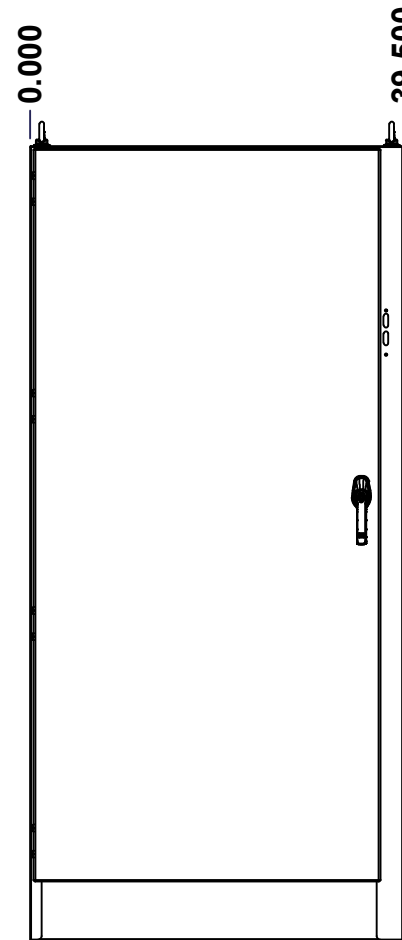
BACK



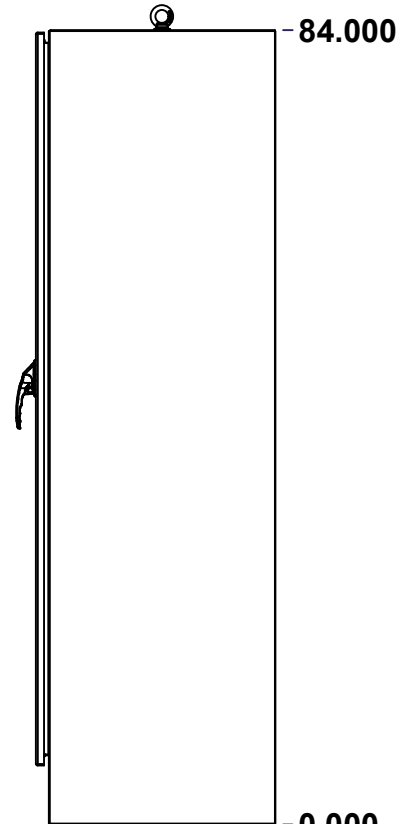
BOTTOM



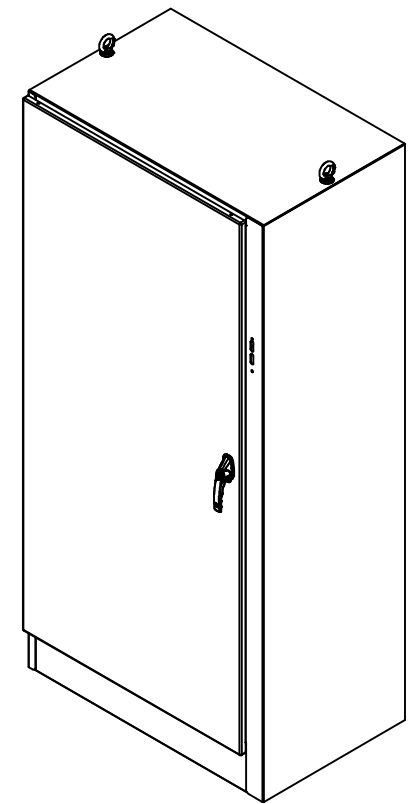
LEFT



FRONT




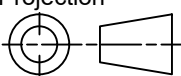
RIGHT



Isometric View



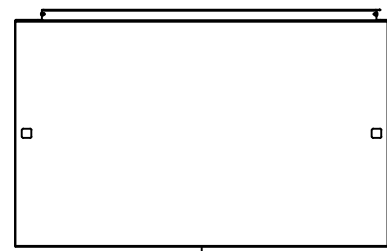
| No. | Revisions | Date | By/Par |
|-----|-----------|------|--------|
| | | | |
| | | | |
| | | | |
| | | | |
| | | | |

| | | |
|--|---|---|
|  Tél: (450) 979-4373 Fax: (450) 979-4626 www.exmweb.com | | Flatness Aplatissement Max 3.0mm Projection  |
| Customer Client | Date | |
| Drawn By Dessiné Par | BoxCad: BoxCad | Date 09-Apr-22 |
| Material Matière | 12 Ga Cold Rolled A1008 CS Type B (2.5mm) | |
| Color Couleur | Asa-61 Grey | Finish Fini Smooth |
| Description | Detail Rev. | |
| 9500U1D 84" x 39.5" x 24" Assembly | | |
| Part Number Numéro Pièce | Rev. 0 | 1 / 13 |
| 9500U1D844024 | | |

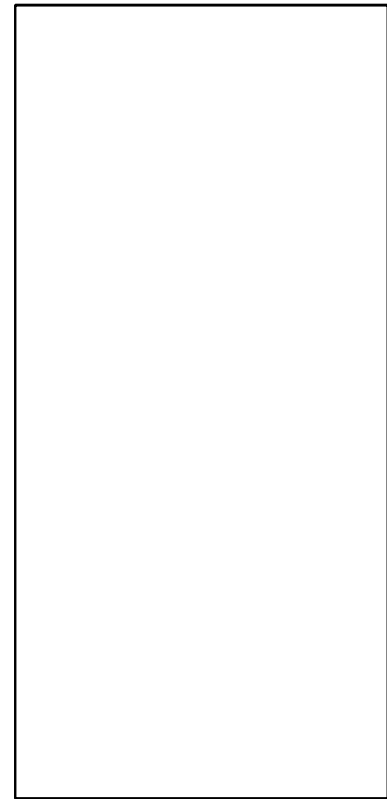
SEE BILL OF MATERIAL ON LAST PAGE

This drawing is confidential and must not be reproduced or used without the consent of EXM

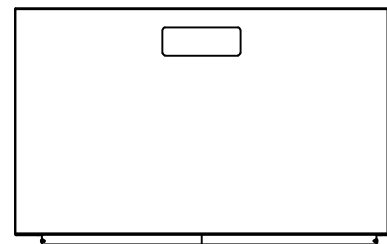
Ce dessin est confidentiel et ne doit pas être reproduit ou utilisé sans le consentement de EXM



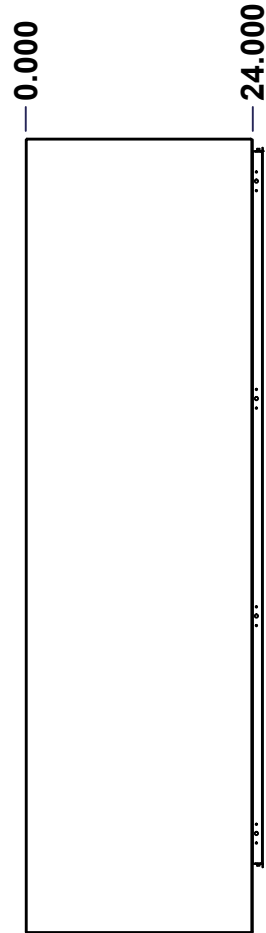
TOP



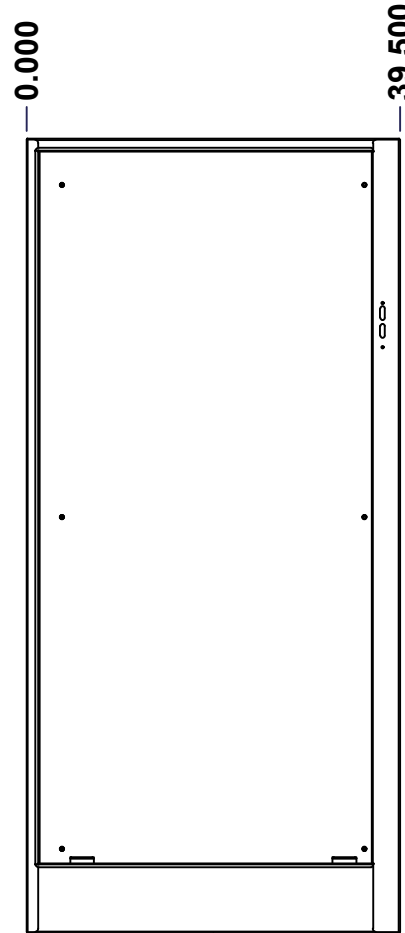
BACK



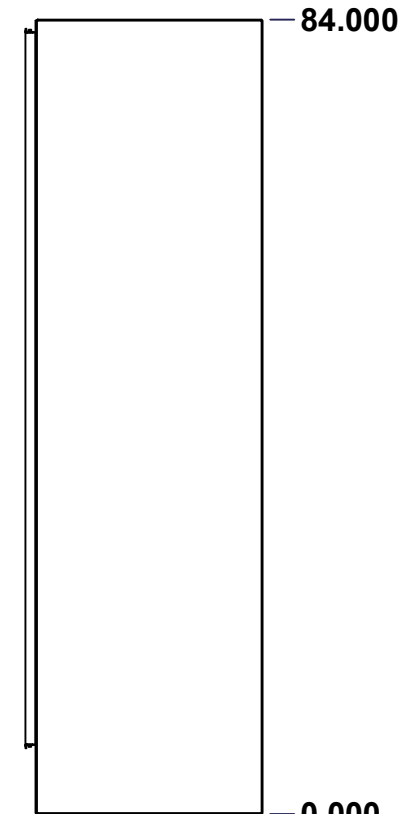
BOTTOM



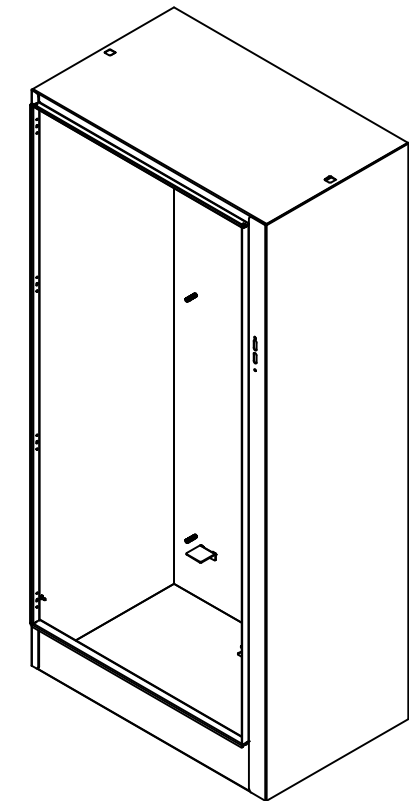
LEFT



FRONT




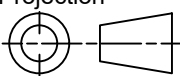
RIGHT



Isometric View



| No. | Revisions | Date | By/Par |
|-----|-----------|------|--------|
| | | | |
| | | | |
| | | | |
| | | | |
| | | | |

| | | |
|--|---|---|
|  Tél: (450) 979-4373 Fax: (450) 979-4626 www.exmweb.com | | Flatness Aplatissement Max 3.0mm Projection  |
| Customer Client | Date | |
| Drawn By Dessiné Par | BoxCad: BoxCad | Date 09-Apr-22 |
| Material Matière | 12 Ga Cold Rolled A1008 CS Type B (2.5mm) | |
| Color Couleur | Asa-61 Grey | Finish Fini Smooth |
| Description | Detail Rev. | |
| 9500U1D 84" x 39.5" x 24" Body | | |
| Part Number Numéro Pièce | Rev. 0 | 3 / 13 |
| 9500U1D844024B | | |

SEE BILL OF MATERIAL ON LAST PAGE

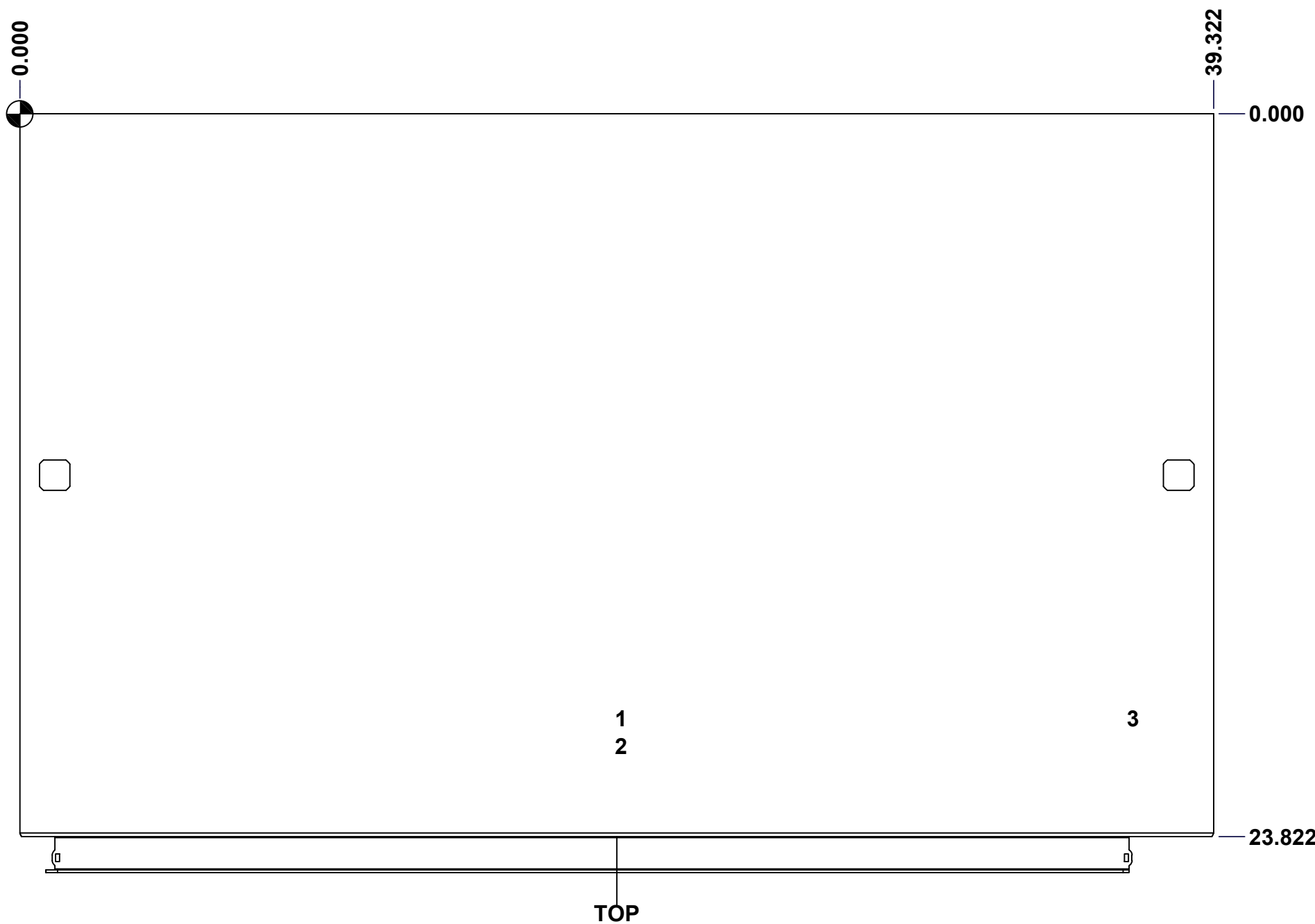
This drawing is confidential and must not be reproduced or used without the consent of EXM

Ce dessin est confidentiel et ne doit pas être reproduit ou utilisé sans le consentement de EXM

STANDARD FEATURES ARE NOT LISTED IN THIS HOLE TABLE

HOLE TABLE - TOP VIEW (CUSTOM FEATURE ONLY)

| CUT-OUT | XDIM | YDIM | DESCRIPTION |
|---------|--------|--------|-------------------------------|
| 1 | 19.661 | 19.911 | Struts CR400 33.500" (Inside) |
| 2 | 19.661 | 20.840 | STUDS M6 x 10mm (Inside) |
| 3 | 36.527 | 19.911 | STUDS M6 x 10mm (Inside) |

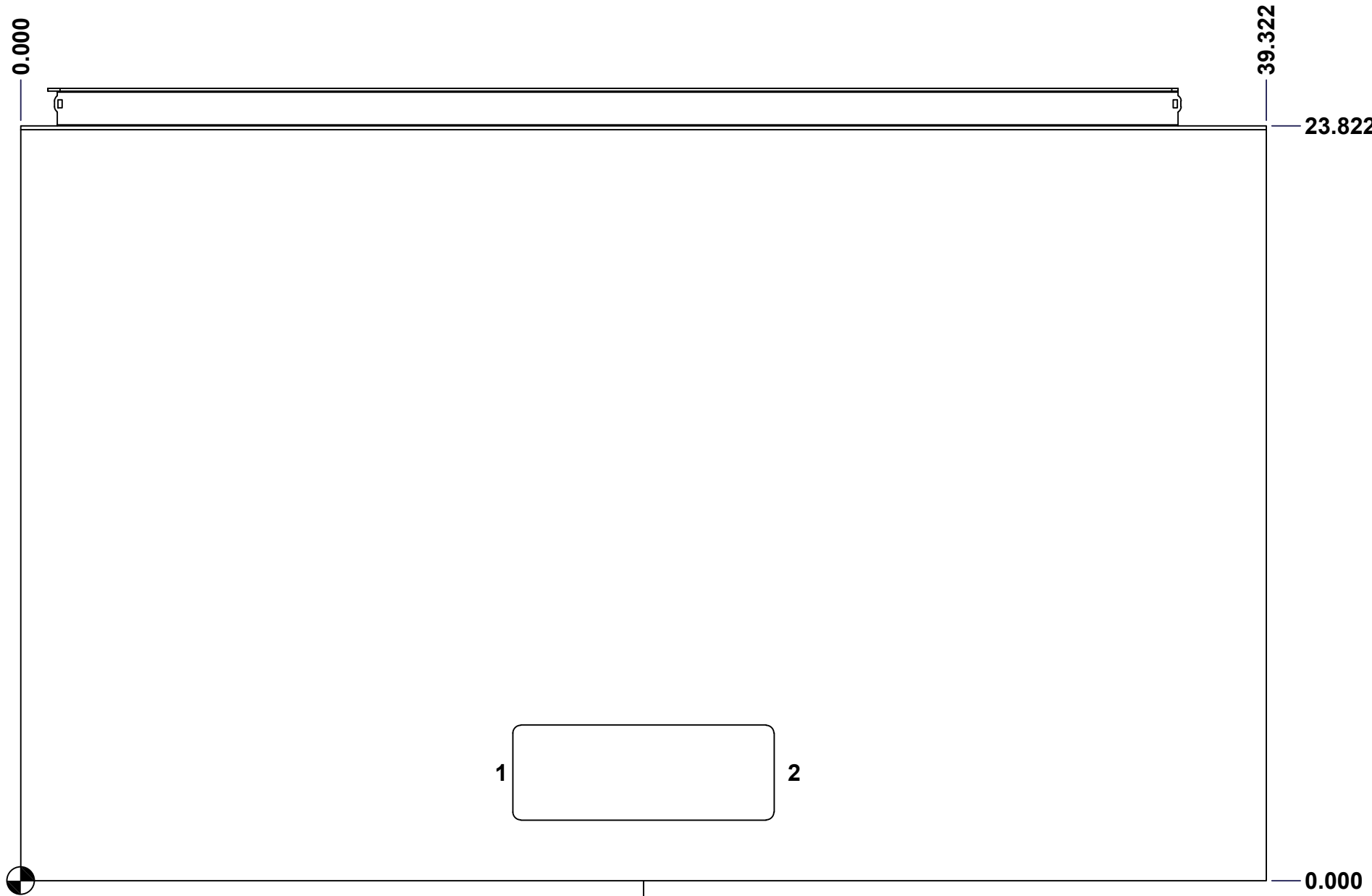


| | | |
|--|--------------------------------|----------|
| | Description | Status |
| | 9500U1D 84" x 39.5" x 24" Body | (NULL) |
| | Part Number | Rev. |
| | Numéro Pièce | 4 |
| | 9500U1D844024B | 0 |
| | | 13 |

This drawing is confidential and must not be reproduced or used without the consent of EXM

Ce dessin est confidentiel et ne doit pas être reproduit ou utilisé sans le consentement de EXM

| STANDARD FEATURES ARE NOT LISTED IN THIS HOLE TABLE | | | |
|--|--------|-------|----------------------------|
| HOLE TABLE - BOTTOM VIEW (CUSTOM FEATURE ONLY) | | | |
| CUT-OUT | XDIM | YDIM | DESCRIPTION |
| 1 | 15.036 | 3.411 | GP STUD M6 x 16mm (Inside) |
| 2 | 24.286 | 3.411 | GP STUD M6 x 16mm (Inside) |



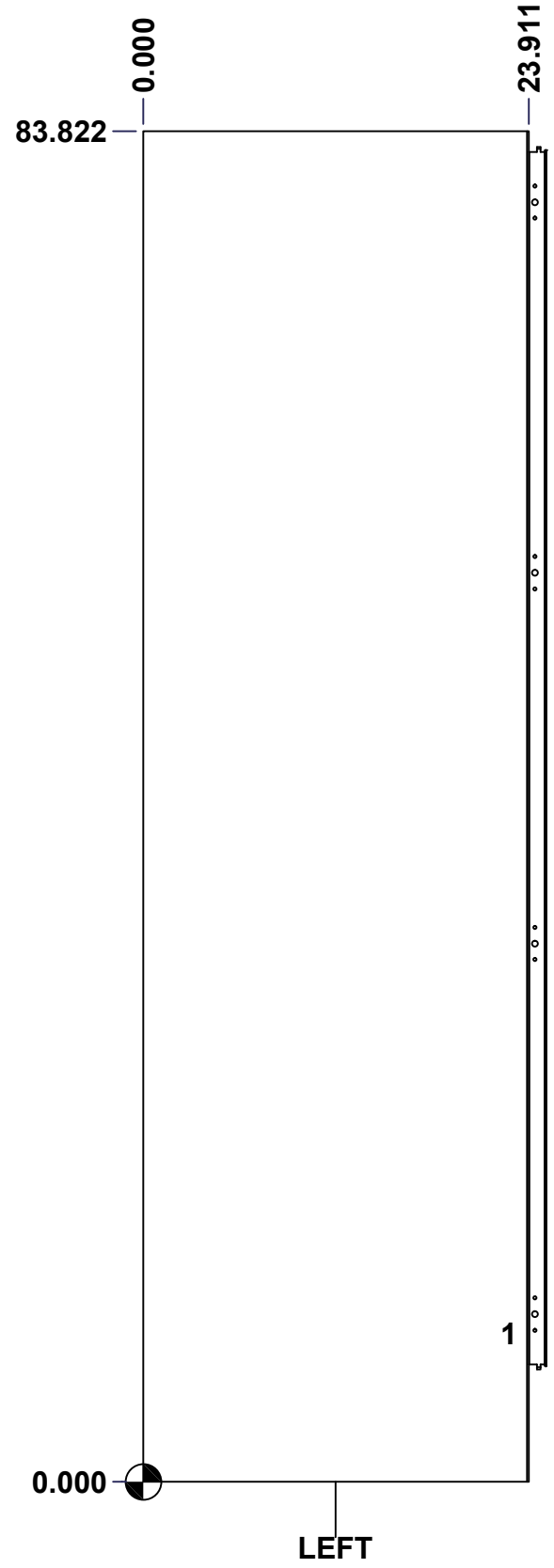
BOTTOM

| | | |
|-----------------------------|--------------------------------|---------------|
| | Description | Status |
| | 9500U1D 84" x 39.5" x 24" Body | (NULL) |
| Part Number Numéro Pièce | 9500U1D844024B | Rev. 5 |
| | | 0 / 13 |

This drawing is confidential and must not be reproduced or used without the consent of EXM

Ce dessin est confidentiel et ne doit pas être reproduit ou utilisé sans le consentement de EXM

| STANDARD FEATURES ARE NOT LISTED IN THIS HOLE TABLE | | | |
|---|--------|-------|-----------------------------|
| HOLE TABLE - LEFT VIEW (CUSTOM FEATURE ONLY) | | | |
| CUT-OUT | XDIM | YDIM | DESCRIPTION |
| 1 | 22.322 | 9.197 | GND STUD M6 x 16mm (Inside) |



| | | | |
|-----------------------------|--------------------------------|----------|--------|
| | Description | | Status |
| | 9500U1D 84" x 39.5" x 24" Body | | (NULL) |
| Part Number Numéro Pièce | | Rev. | 6 |
| 9500U1D844024B | | 0 | 13 |

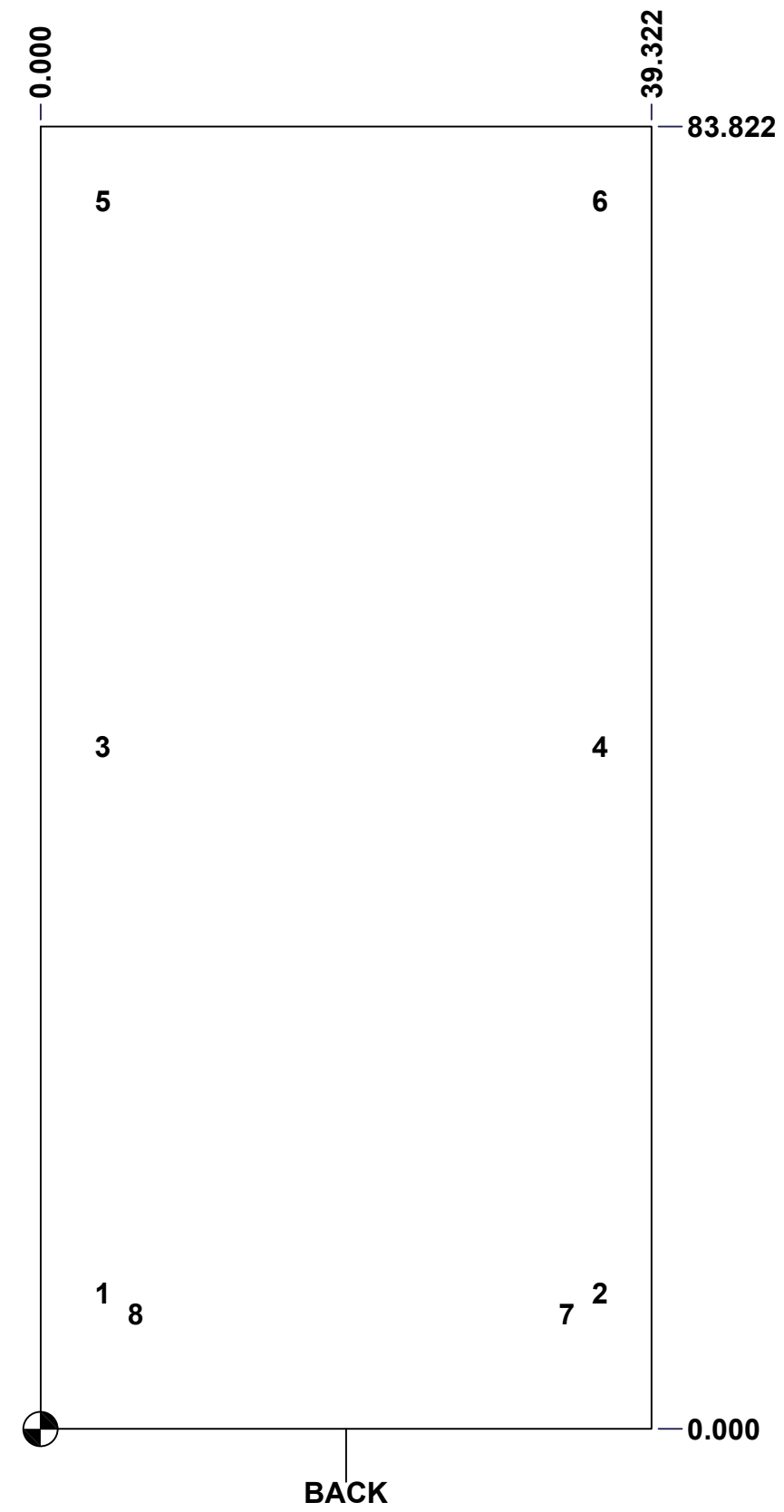
This drawing is confidential and must not be reproduced or used without the consent of EXM

Ce dessin est confidentiel et ne doit pas être reproduit ou utilisé sans le consentement de EXM

STANDARD FEATURES ARE NOT LISTED IN THIS HOLE TABLE

HOLE TABLE - BACK VIEW (CUSTOM FEATURE ONLY)

| CUT-OUT | XDIM | YDIM | DESCRIPTION |
|---------|--------|--------|-----------------------------|
| 1 | 3.661 | 8.786 | IP STUD M10 x 40mm (Inside) |
| 2 | 35.661 | 8.786 | IP STUD M10 x 40mm (Inside) |
| 3 | 3.661 | 43.911 | IP STUD M10 x 40mm (Inside) |
| 4 | 35.661 | 43.911 | IP STUD M10 x 40mm (Inside) |
| 5 | 3.661 | 79.036 | IP STUD M10 x 40mm (Inside) |
| 6 | 35.661 | 79.036 | IP STUD M10 x 40mm (Inside) |
| ----- | ----- | ----- | ----- |
| 7 | 33.536 | 7.411 | IP SUPPORT ANGLE (Inside) |
| 8 | 5.786 | 7.411 | IP SUPPORT ANGLE (Inside) |

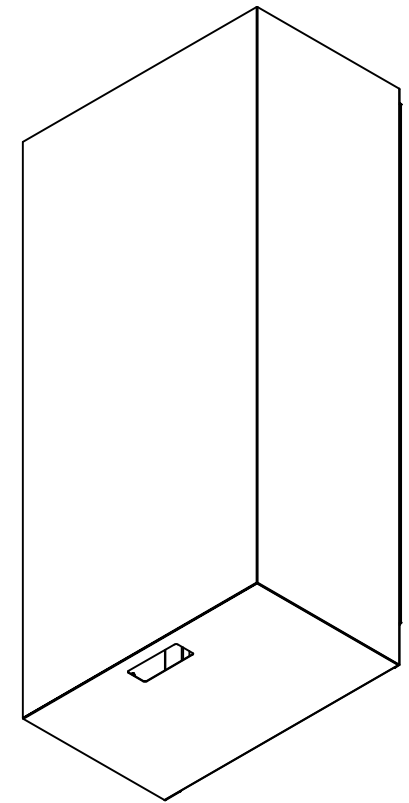


| | | | |
|-----------------------------|--------------------------------|----------|--------|
| | Description | | Status |
| | 9500U1D 84" x 39.5" x 24" Body | | (NULL) |
| Part Number Numéro Pièce | | Rev. | 7 |
| 9500U1D844024B | | 0 | 13 |

This drawing is confidential and must not be reproduced or used without the consent of EXM

Ce dessin est confidentiel et ne doit pas être reproduit ou utilisé sans le consentement de EXM

| No. | Revisions | Date | By/Par |
|-----|-----------|------|--------|
| | | | |
| | | | |
| | | | |
| | | | |
| | | | |


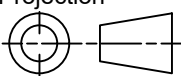


Isometric View



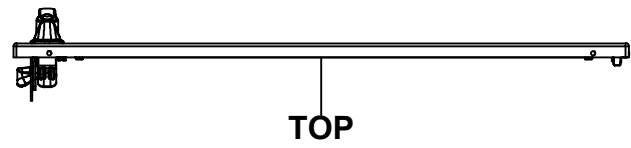
| | | | |
|---|--------------------|---|--|
| 2 | STK-Q-16030 | 0 | Stud M6 x 10mm Steel |
| 2 | 9500U1D844024BPA-P | 0 | 9500U1D Inner Panel Support Angle |
| 1 | CR400MS_33.5 | 0 | Commercial Roll Mild Steel (33.5in long) |
| 2 | STK-Q-74910 | 0 | Eyebolt Lifting Angle (15.500") |
| 1 | STK-P-02400S | 0 | Powder Paint (Asa-61 Grey / Smooth) |
| 6 | STK-Q-16100 | 0 | Stud M10 x 40mm Steel |
| 1 | 9500U1D844024BT-P | 0 | 9500U1D 39.5" x 24" Bottom Part |
| 1 | 9500U1D844024T-P | 0 | 9500U1D 39.5" x 24" Top Part |
| 1 | 9500U1D844024RS-P | 0 | 9500U1D 84" x 39.5" Right Part |
| 1 | 9500U1D844024LS-P | 0 | 9500U1D 84" x 39.5" Left Part |
| 1 | 9500U1D844024B-P | 0 | 9500U1D 84" x 39.5" Back Part |
| 3 | STK-Q-16080 | 0 | Ground Stud M6 x 16mm Steel |

| Qty | Part Number | Rev | Description |
|------------|-------------|-----|-------------|
| Parts List | | | |

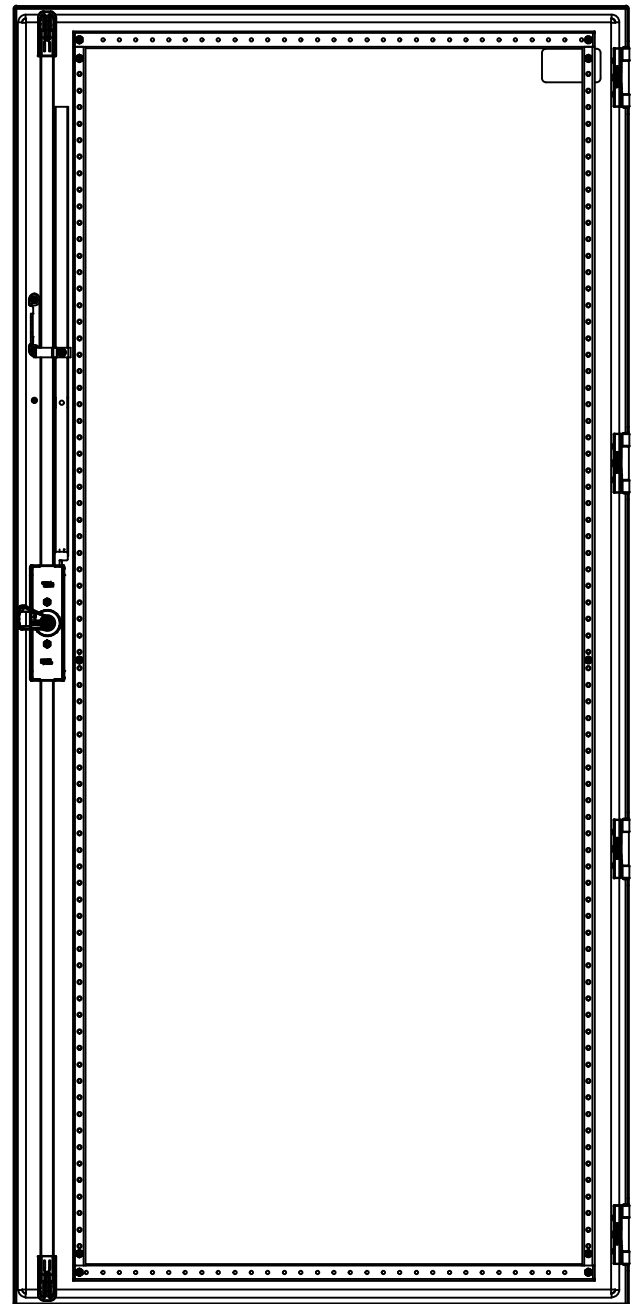
| | | |
|--|---|---|
|  Tél: (450) 979-4373 Fax: (450) 979-4626 www.exmweb.com | Flatness Aplatissement | Max 3.0mm |
| | Projection |  |
| Customer Client | Date | |
| Drawn By Dessiné Par | BoxCad: BoxCad | Date 09-Apr-22 |
| Material Matière | 12 Ga Cold Rolled A1008 CS Type B (2.5mm) | |
| Color Couleur | Asa-61 Grey | Finish Fini Smooth |
| Description | Detail Rev. | |
| 9500U1D 84" x 39.5" x 24" Body | | |
| Part Number Numéro Pièce | Rev. | 8 |
| 9500U1D844024B | 0 | 13 |

This drawing is confidential and must not be reproduced or used without the consent of EXM

Ce dessin est confidentiel et ne doit pas être reproduit ou utilisé sans le consentement de EXM



TOP

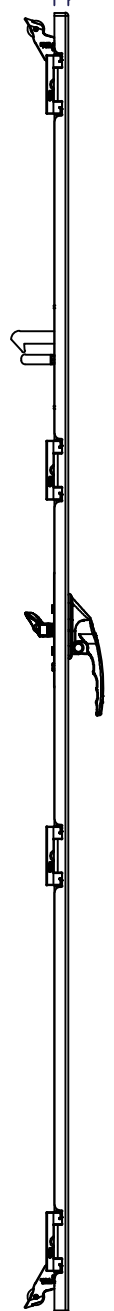


BACK



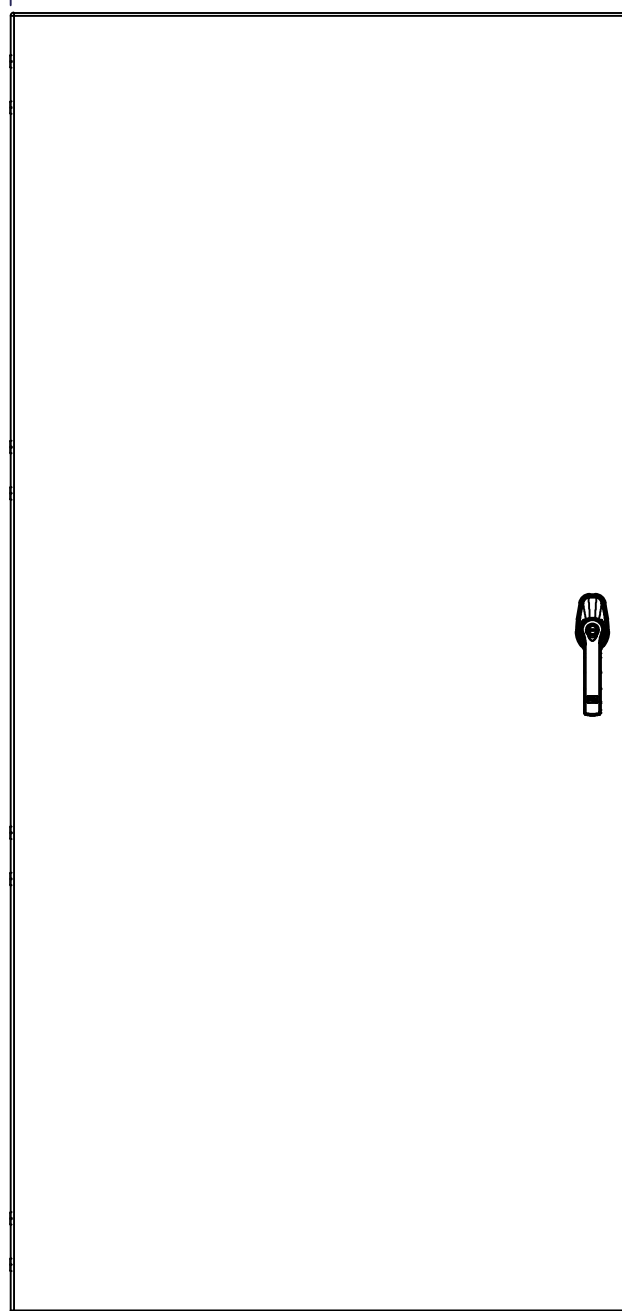
BOTTOM

0.000
0.835



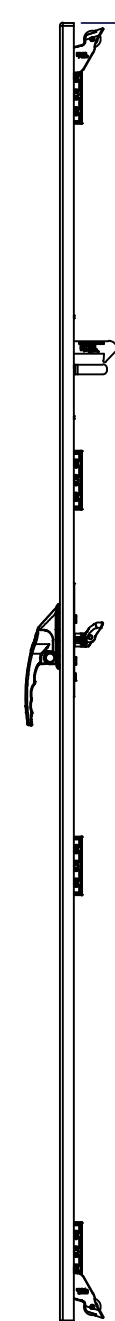
LEFT

0.000



FRONT

36.688



RIGHT

77.549

0.000

| No. | Revisions | Date | By/Par |
|-----|-----------|------|--------|
| | | | |
| | | | |
| | | | |
| | | | |
| | | | |

Isometric View

| | | |
|--|---|---------------------------|
| Tél: (450) 979-4373 Fax: (450) 979-4626 www.exmweb.com | | Flatness Aplatissement |
| | | Max 3.0mm |
| Projection | | Date |
| Customer Client | BoxCad: BoxCad | Date 09-Apr-22 |
| Material Matière | 12 Ga Cold Rolled A1008 CS Type B (2.5mm) | |
| Color Couleur | Asa-61 Grey | Finish Fini Smooth |
| Description | | Detail Rev. |
| 9500U1D 84" x 39.5" Cover | | |
| Part Number Numéro Pièce | Rev. 9 | 13 |
| 9500U1D844024C | | 0 |

SEE BILL OF MATERIAL ON LAST PAGE

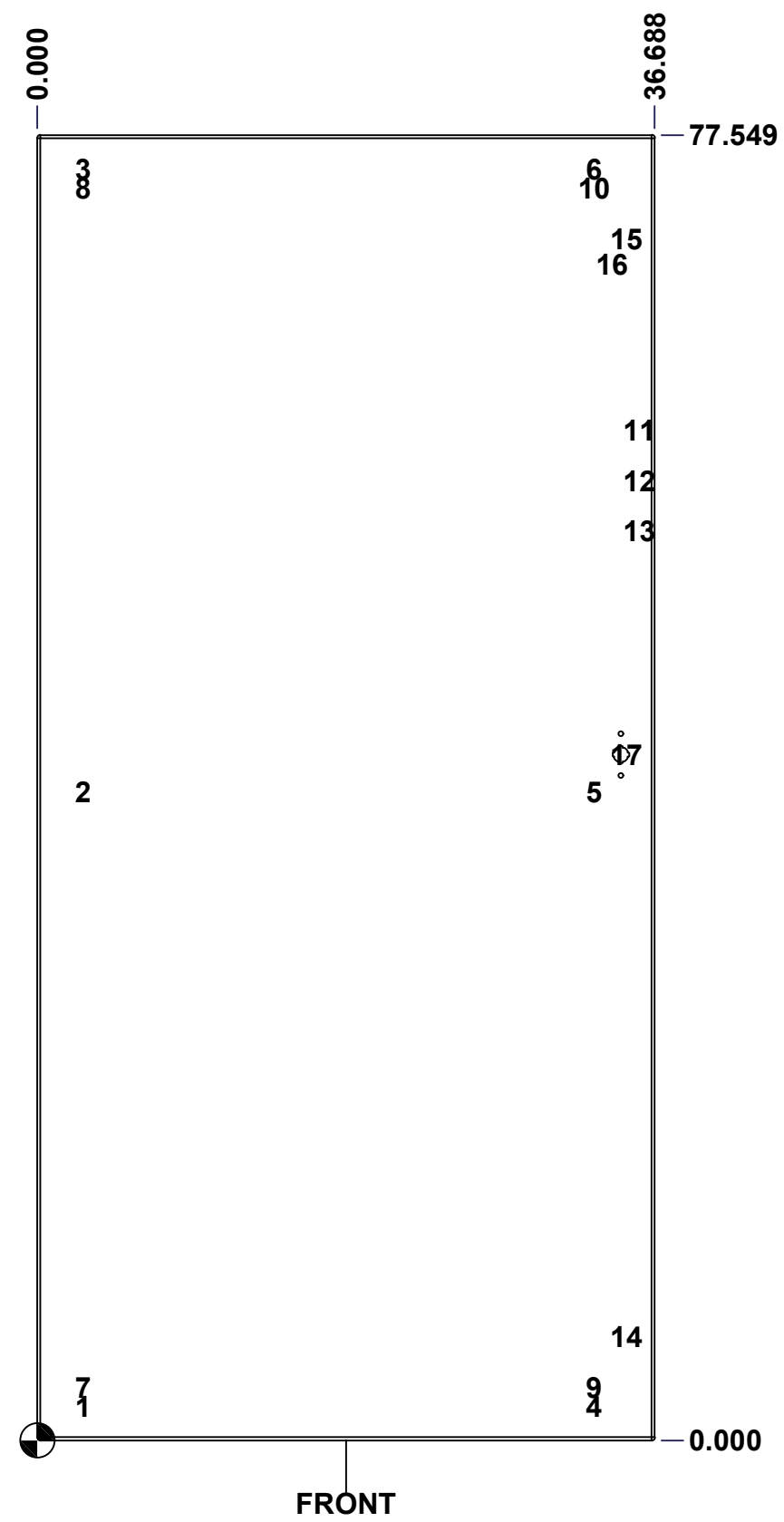
This drawing is confidential and must not be reproduced or used without the consent of EXM

Ce dessin est confidentiel et ne doit pas être reproduit ou utilisé sans le consentement de EXM

STANDARD FEATURES ARE NOT LISTED IN THIS HOLE TABLE

HOLE TABLE - FRONT VIEW (CUSTOM FEATURE ONLY)

| CUT-OUT | XDIM | YDIM | DESCRIPTION |
|---------|--------|--------|------------------------------|
| 1 | 2.406 | 2.028 | STUD M6 x 18mm (Inside) |
| 2 | 2.406 | 38.533 | STUD M6 x 18mm (Inside) |
| 3 | 2.406 | 75.521 | STUD M6 x 18mm (Inside) |
| 4 | 32.762 | 2.028 | STUD M6 x 18mm (Inside) |
| 5 | 32.762 | 38.533 | STUD M6 x 18mm (Inside) |
| 6 | 32.762 | 75.521 | STUD M6 x 18mm (Inside) |
| 7 | 2.406 | 3.139 | STUD M6 x 18mm (Inside) |
| 8 | 2.406 | 74.409 | STUD M6 x 18mm (Inside) |
| 9 | 32.762 | 3.139 | STUD M6 x 18mm (Inside) |
| 10 | 32.762 | 74.409 | STUD M6 x 18mm (Inside) |
| 11 | 35.448 | 60.011 | STUD M6 x 18mm (Inside) |
| 12 | 35.448 | 57.011 | STUD M6 x 18mm (Inside) |
| 13 | 35.448 | 54.011 | STUD M6 x 18mm (Inside) |
| 14 | 34.671 | 6.179 | LARGE CBAR GUIDE (Inside) |
| 15 | 34.671 | 71.370 | LARGE CBAR GUIDE (Inside) |
| 16 | 33.815 | 69.870 | LARGE CBAR GUIDE (Inside) |
| ----- | ----- | ----- | ----- |
| 17 | 34.681 | 40.743 | HANDLE 885 ESL2A-APHD @ 0.0° |

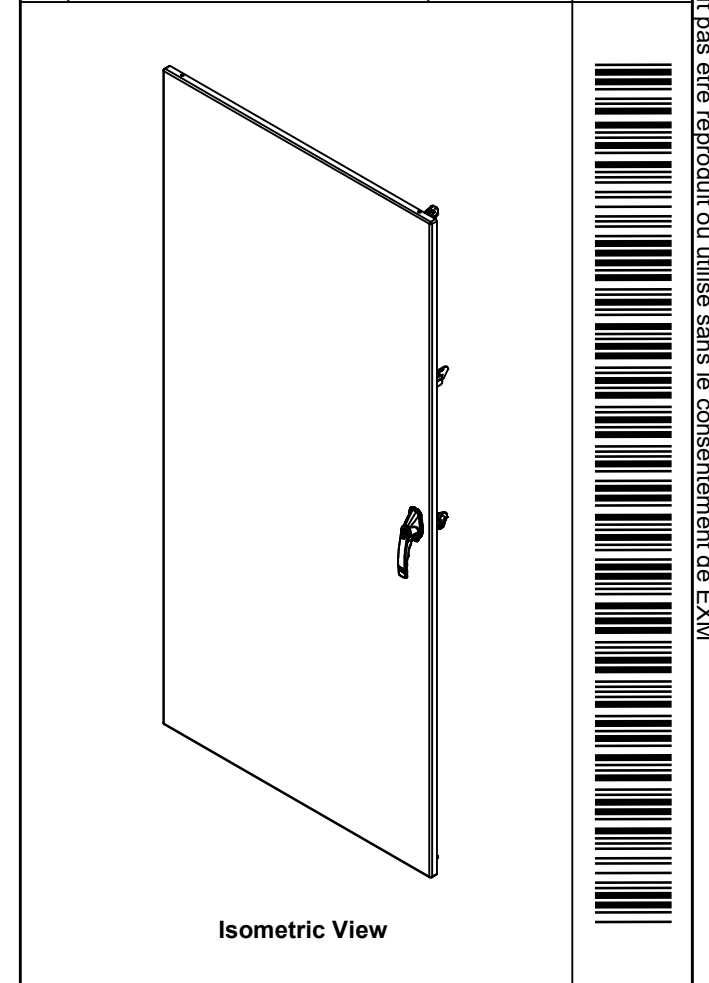


| | | |
|--|-----------------------------|----------|
| | Description | Status |
| | 9500U1D 84" x 39.5" Cover | (NULL) |
| | Part Number Numéro Pièce | Rev. |
| | 9500U1D844024C | 0 |
| | | 10 |
| | | 13 |

This drawing is confidential and must not be reproduced or used without the consent of EXM

Ce dessin est confidentiel et ne doit pas être reproduit ou utilisé sans le consentement de EXM

| No. | Revisions | Date | By/Par |
|-----|-----------|------|--------|
| | | | |
| | | | |
| | | | |
| | | | |
| | | | |



EXM
www.exmweb.com

Tél: (450) 979-4373
Fax: (450) 979-4626

Flatness
Aplatissement
Max 3.0mm

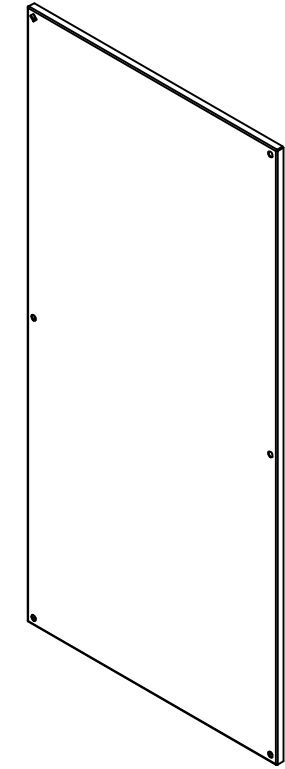
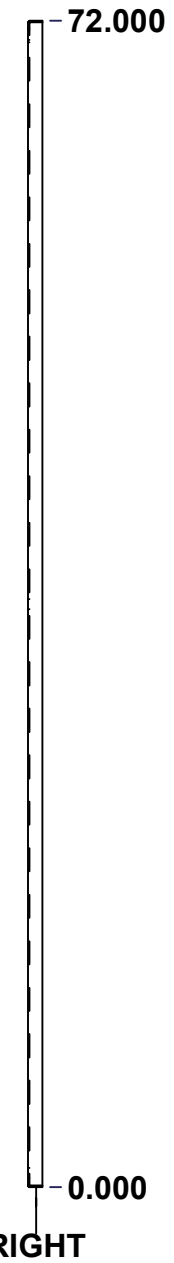
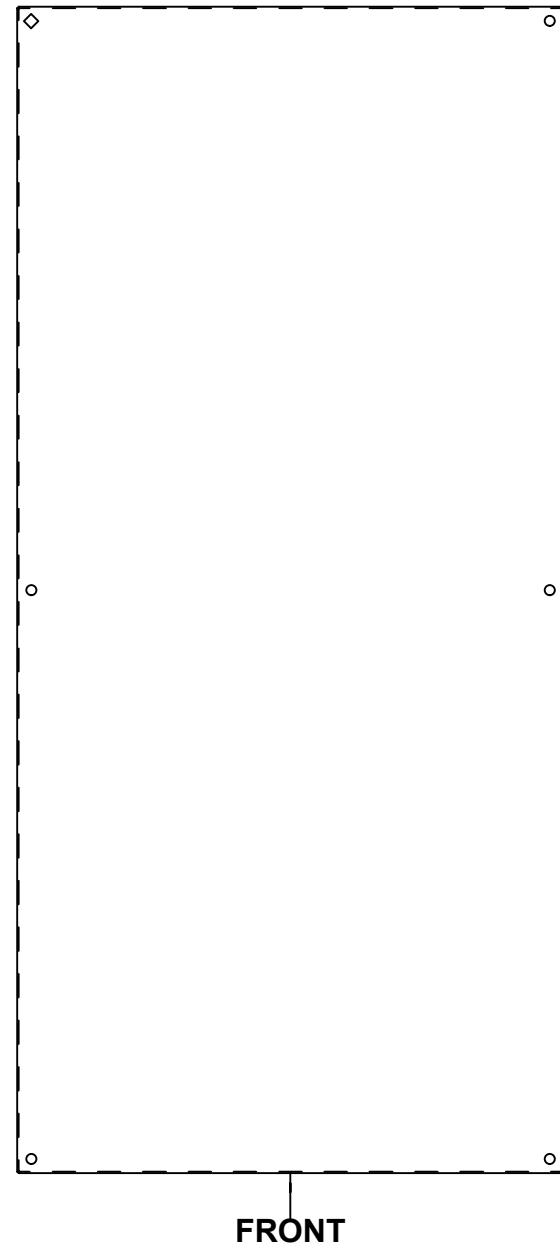
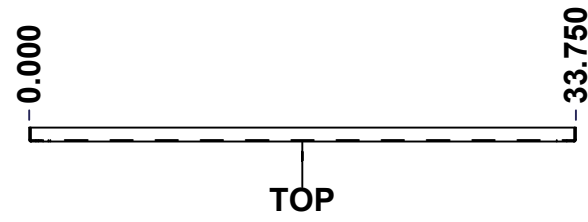
Projection

| | | | |
|------------|------------------|-----|--|
| 1 | STK-K-09584 | 0 | 9500 UxD 84" Locking Mechanism Kit |
| 1 | 885ESL2A-APHD | 1 | 885 ESL2A-APHD - Zinc Die Cast L-Handle Padlockable Assy - Slot Cylinder |
| 1 | STK-P-02400S | 0 | Powder Paint (Asa-61 Grey / Smooth) |
| 1 | STK-S-00100 | 0 | 3.5" x 2" Silver Milar Flexcon Sticker |
| 1 | 9500U1D844024DS1 | 0 | 9500U1D 84" x 39.5" Door Stiffener |
| 3 | STK-Q-16410 | 0 | Guide Stud - Largel (No Paint Cap Required) |
| 13 | STK-Q-16055 | 1 | M6 x 18mm Stud (No Paint Cap Required) |
| 1 | 9500U1D844024G | 0 | 9500U1D 84" x 39.5" Cover Gasket |
| 1 | 9500U1D844024C-P | 0 | 9500U1D 84" x 39.5" Cover Part |
| 4 | STK-K-09860 | 7 | Cabinet Hinge with Captive Pins |
| QTY | Part Number | Rev | Description |
| Parts List | | | |

| | |
|---|------------------------|
| Customer Client | Date |
| Drawn By Dessiné Par BoxCad: BoxCad | Date 09-Apr-22 |
| Material Matière 12 Ga Cold Rolled A1008 CS Type B (2.5mm) | |
| Color Couleur Asa-61 Grey | Finish Fini Smooth |
| Description 9500U1D 84" x 39.5" Cover | Detail Rev. |
| Part Number Numéro Pièce 9500U1D844024C | Rev. 11 0 13 |

This drawing is confidential and must not be reproduced or used without the consent of EXM


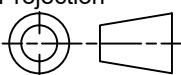
Ce dessin est confidentiel et ne doit pas être reproduit ou utilisé sans le consentement de EXM



Isometric View



| No. | Revisions | Date | By/Par |
|-----|-----------|------|--------|
| | | | |
| | | | |
| | | | |
| | | | |
| | | | |

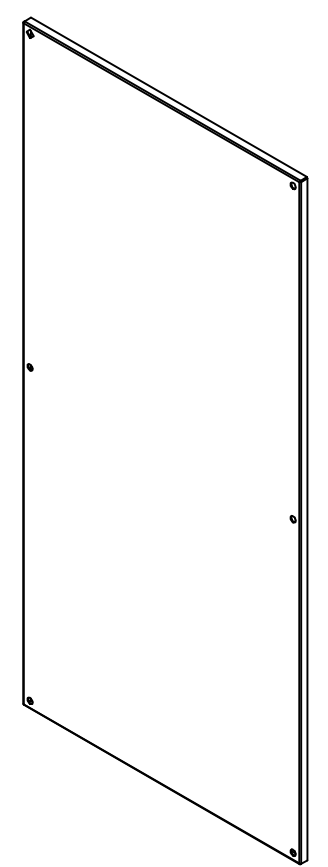
| | | |
|--|--------------------------|---|
|  Tél: (450) 979-4373 Fax: (450) 979-4626 www.exmweb.com | | Flatness Aplatissement Max 3.0mm Projection  |
| Customer Client | Date | |
| Drawn By Dessiné Par | BoxCad: BoxCad | Date 09-Apr-22 |
| Material Matière | 12 Ga Galvanized (2.5mm) | |
| Color Couleur | Unpainted | Finish Fini Unpainted |
| Description | Detail Rev. | |
| 9500U1D 84" x 39.5" Inner Panel | | |
| Part Number Numéro Pièce | Rev. | 12 |
| 9500U1D844024IP | 0 | 13 |

SEE BILL OF MATERIAL ON LAST PAGE

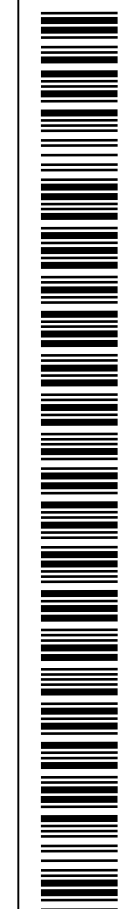
This drawing is confidential and must not be reproduced or used without the consent of EXM


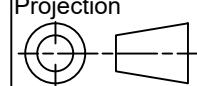
Ce dessin est confidentiel et ne doit pas être reproduit ou utilisé sans le consentement de EXM

| No. | Revisions | Date | By/Par |
|-----|-----------|------|--------|
| | | | |
| | | | |
| | | | |
| | | | |
| | | | |



Isometric View



| | | | | | |
|---|--|--|--|--|----|
|  | | Tél: (450) 979-4373 Fax: (450) 979-4626 www.exmweb.com | | Flatness Aplatissement Max 3.0mm | |
| Projection  | | Date 09-Apr-22 | | | |
| Customer Client | | Date | | Date | |
| Drawn By Dessiné Par | | BoxCad: BoxCad | | Date | |
| Material Matière | | 12 Ga Galvanized (2.5mm) | | | |
| Color Couleur | | Unpainted | | Finish Fini | |
| | | | | Unpainted | |
| Description | | | | Detail Rev. | |
| 9500U1D 84" x 39.5" Inner Panel | | | | | |
| Part Number Numéro Pièce | | 9500U1D844024IP | | Rev. | 13 |
| | | | | 0 | 13 |

| Qty | Part Number | Rev | Description |
|------------|-------------------|-----|--------------------------------------|
| 1 | 9500U1D844024IP-P | 0 | 9500U1D 84" x 39.5" Inner Panel Part |
| Parts List | | | |