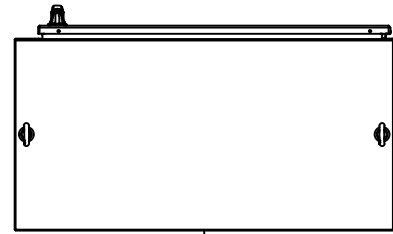
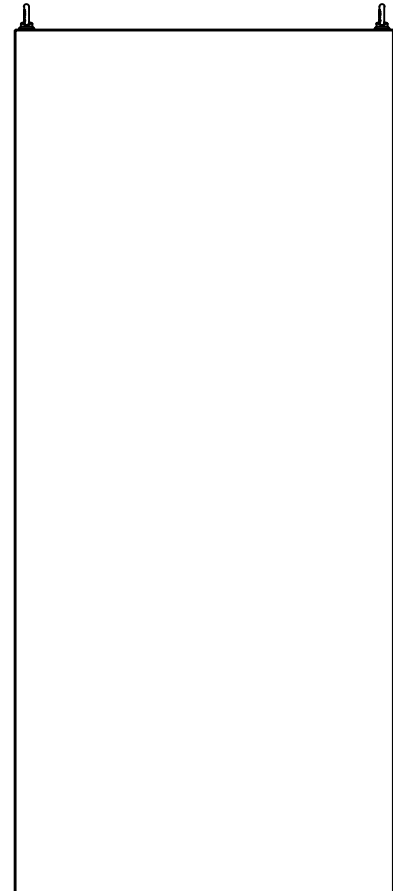


This drawing is confidential and must not be reproduced or used without the consent of EXM

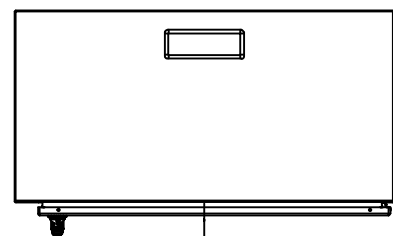
Ce dessin est confidentiel et ne doit pas être reproduit ou utilisé sans le consentement de EXM



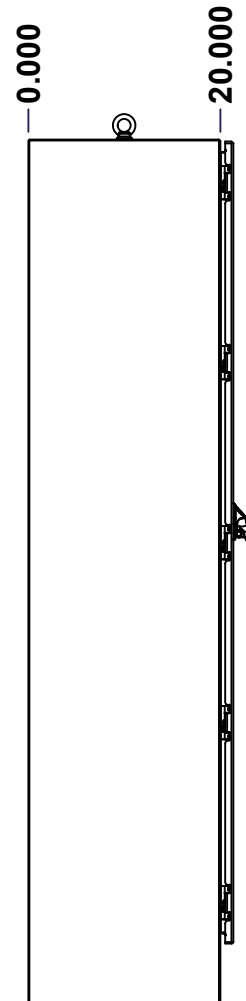
TOP



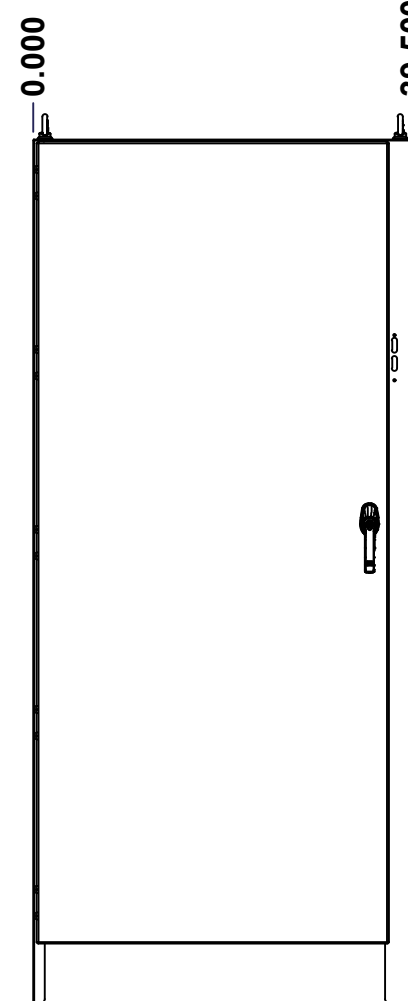
BACK



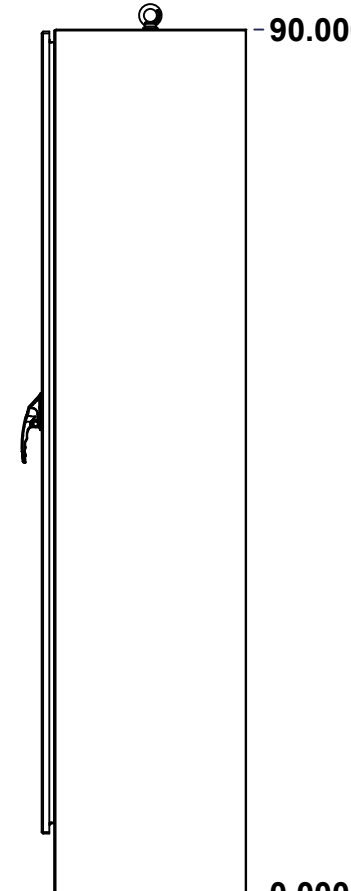
BOTTOM



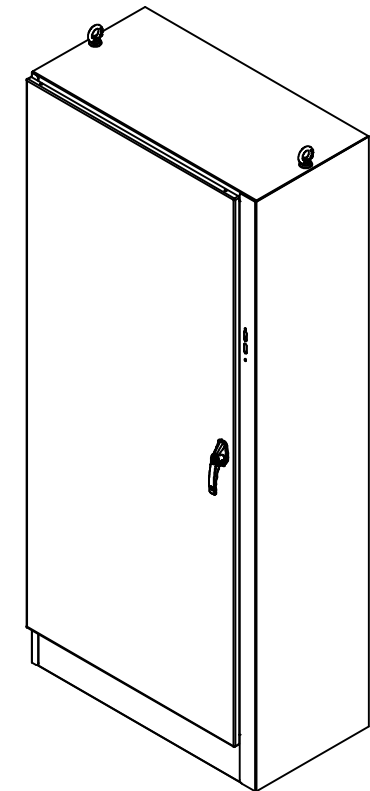
LEFT



FRONT




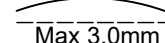
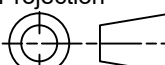
RIGHT



Isometric View



No.	Revisions	Date	By/Par

 Tél: (450) 979-4373 Fax: (450) 979-4626 <a href="http://www.exmweb.com">www.exmweb.com</a>		Flatness Aplatissement  Max 3.0mm Projection 
Customer Client	Date	
Drawn By Dessiné Par	BoxCad: BoxCad	Date 12-Dec-19
Material Matière	12 Ga Cold Rolled A1008 CS Type B (2.5mm)	
Color Couleur	Asa-61 Grey	Finish Fini Smooth
Description	Detail Rev.	
9500U1D 90" x 39.5" x 20" Assembly		
Part Number Numéro Pièce	Rev. 0	1 / 13

SEE BILL OF MATERIAL ON LAST PAGE

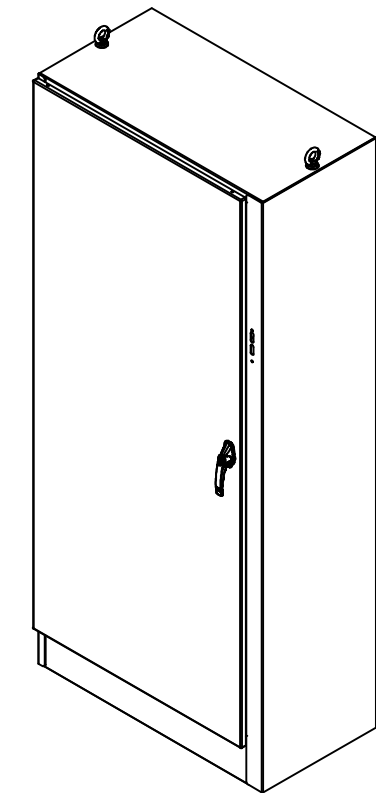
**9500U1D904020**

This drawing is confidential and must not be reproduced or used without the consent of EXM

Ce dessin est confidentiel et ne doit pas être reproduit ou utilisé sans le consentement de EXM

NOTE	
ITEM	DESCRIPTION
1	NEMA 12, 13 Enclosure (IP55)
2	C/W Standard ground studs on box and cover
3	C/W Standard door stiffener
4	C/W Special inner panel (Sold separately)
5	C/W Standard inner panel mounting studs
6	C/W Eyebolts
7	C/W Struts installed (Included)


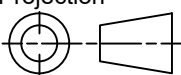
No.	Revisions	Date	By/Par



Isometric View

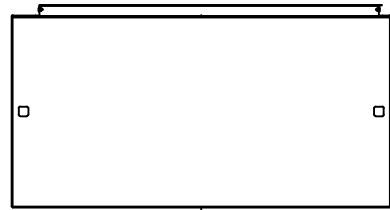
PACKING		
ITEM	QTY	DESCRIPTION
Cardboard sleeve	2	Top and Bottom
Cardboard strip	2	Between back of enclosure and inner panel
Plastic bag	1	To protect cover surface and inside gasket
Cardboard corner	4	To reinforced for the plastic strap tightening
Plastic strap - Black	2	To Squeeze 2 cardboard sleeve together
Packaging label	3	White label with PN
Plastic strap- Green	2	To secure the enclosure to the wood pallet
Wood Pallet	1	2" deeper and 3" larger than enclosure size

Qty	Part Number	Rev	Description
1	9500U1D904020GP	0	9500U1D Gland Plate
1	880EB14	2	Eye Bolt M14 (Pack of 2)
6	STK-Q-07320	0	Flange Lock Nut M10
1	9500U1D904020IP	0	9500U1D 90" x 39.5" Inner Panel
6	STK-Q-07620	0	M10 Plastic Spacer 0.875"
1	9500U1D904020C	0	9500U1D 90" x 39.5" Cover
1	9500U1D904020B	0	9500U1D 90" x 39.5" x 20" Body
5	STK-Q-04050-10	8	M6 x 10mm Hexagon Socket Head Machine Screw with Nyseal
Parts List			

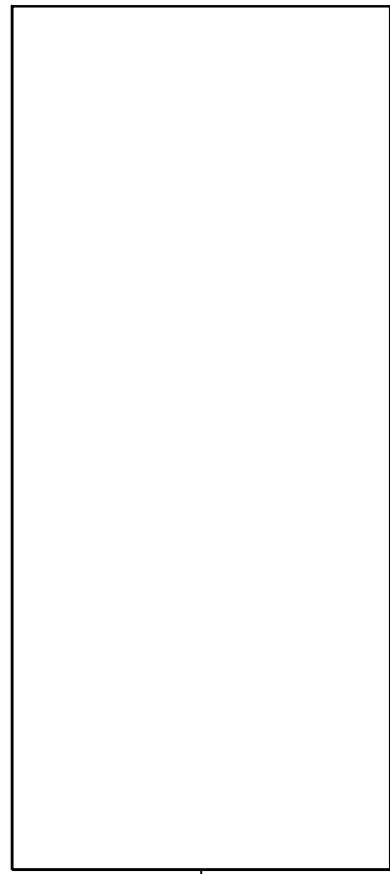
 Tél: (450) 979-4373 Fax: (450) 979-4626 <a href="http://www.exmweb.com">www.exmweb.com</a>		Flatness Aplatissement Max 3.0mm Projection 
Customer Client	Date	
Drawn By Dessiné Par	BoxCad: BoxCad	Date 12-Dec-19
Material Matière	12 Ga Cold Rolled A1008 CS Type B (2.5mm)	
Color Couleur	Asa-61 Grey	Finish Fini Smooth
Description		Detail Rev.
9500U1D 90" x 39.5" x 20" Assembly		
Part Number Numéro Pièce	9500U1D904020	Rev. 0
		2 / 13

This drawing is confidential and must not be reproduced or used without the consent of EXM

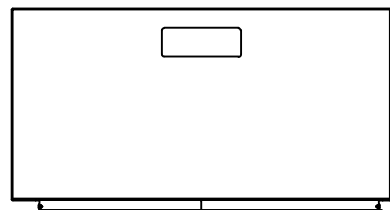
Ce dessin est confidentiel et ne doit pas être reproduit ou utilisé sans le consentement de EXM



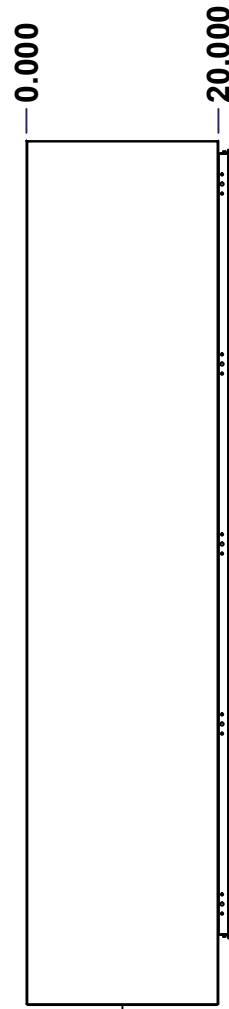
TOP



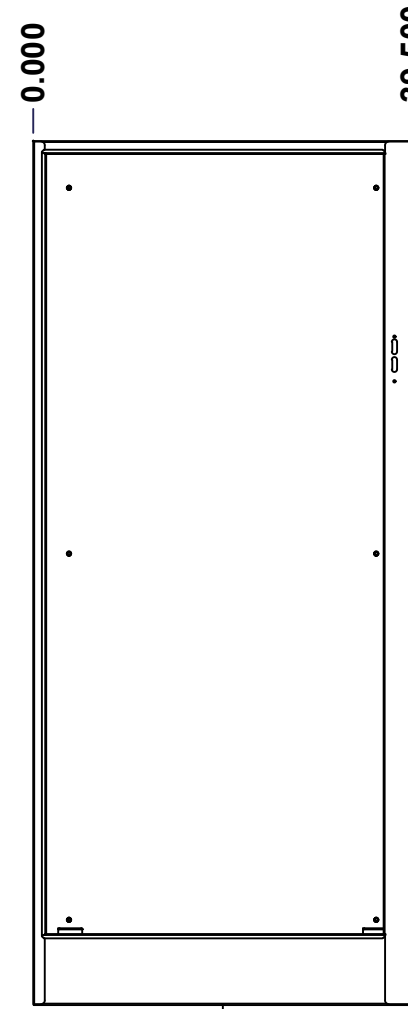
BACK



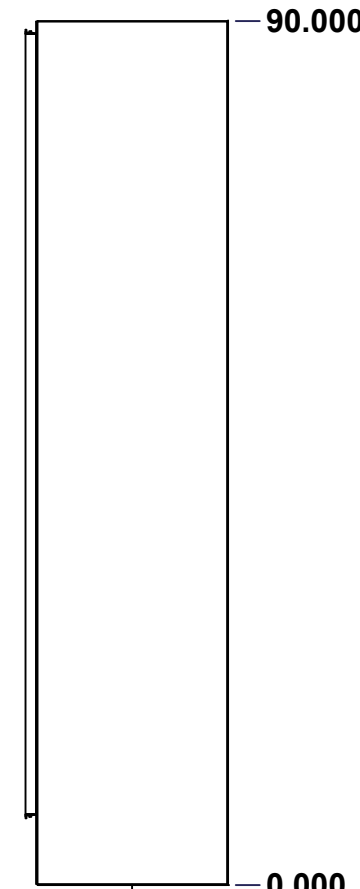
BOTTOM



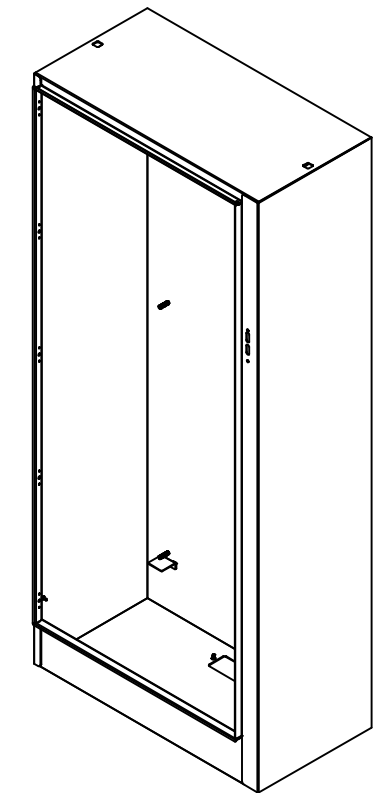
LEFT



FRONT




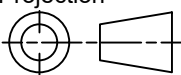
RIGHT



Isometric View



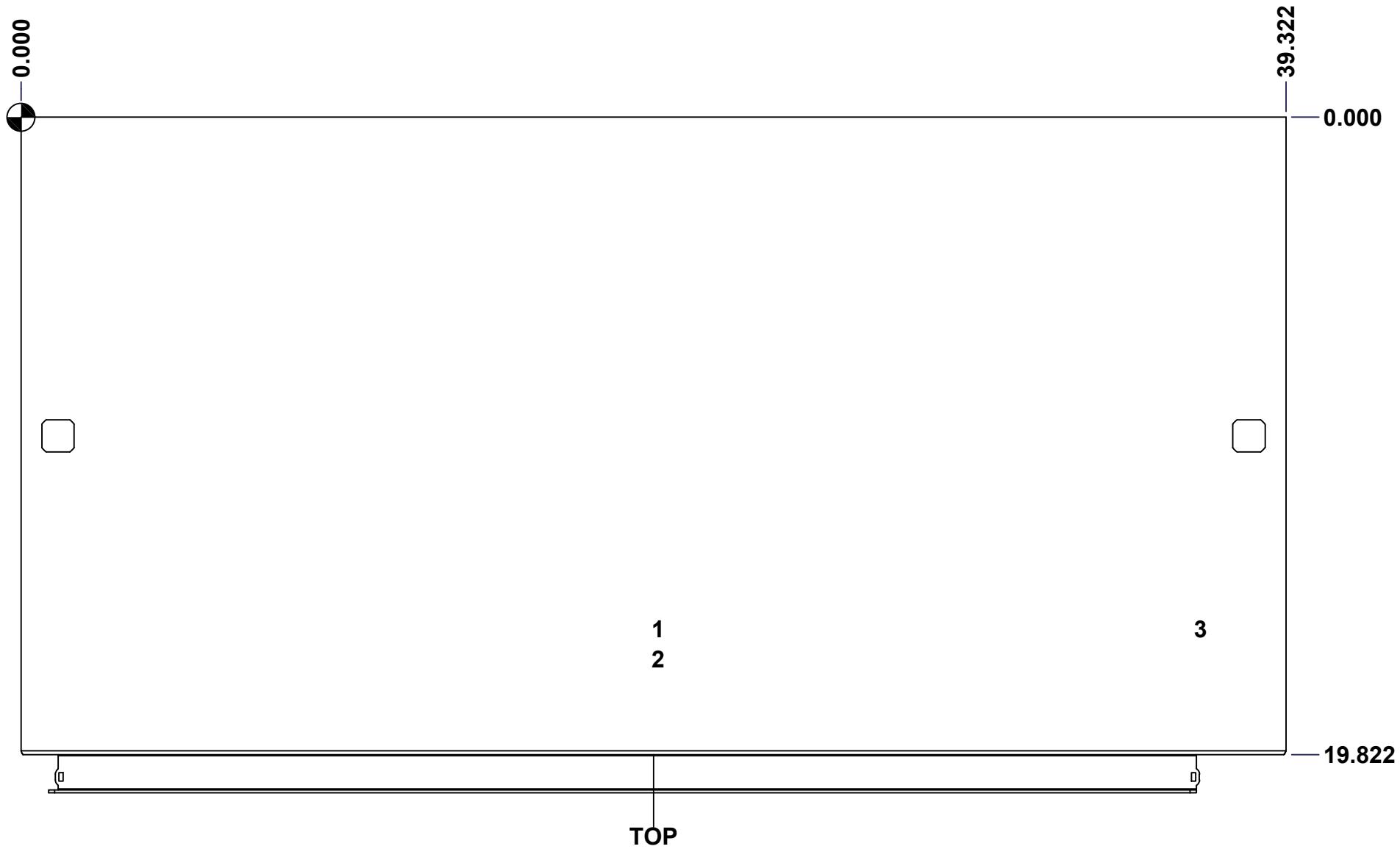
No.	Revisions	Date	By/Par

 Tél: (450) 979-4373 Fax: (450) 979-4626 <a href="http://www.exmweb.com">www.exmweb.com</a>		Flatness Aplatissement Max 3.0mm Projection 
Customer Client	Date	
Drawn By Dessiné Par	BoxCad: BoxCad	Date 12-Dec-19
Material Matière	12 Ga Cold Rolled A1008 CS Type B (2.5mm)	
Color Couleur	Asa-61 Grey	Finish Fini Smooth
Description	Detail Rev.	
9500U1D 90" x 39.5" x 20" Body		
Part Number Numéro Pièce	Rev. 3	13
SEE BILL OF MATERIAL ON LAST PAGE	9500U1D904020B	0

This drawing is confidential and must not be reproduced or used without the consent of EXM

Ce dessin est confidentiel et ne doit pas être reproduit ou utilisé sans le consentement de EXM

STANDARD FEATURES ARE NOT LISTED IN THIS HOLE TABLE			
HOLE TABLE - TOP VIEW (CUSTOM FEATURE ONLY)			
CUT-OUT	XDIM	YDIM	DESCRIPTION
1	19.661	15.911	Struts CR400 33.500" (Inside)
2	19.661	16.840	STUDS M6 x 10mm (Inside)
3	36.527	15.911	STUDS M6 x 10mm (Inside)

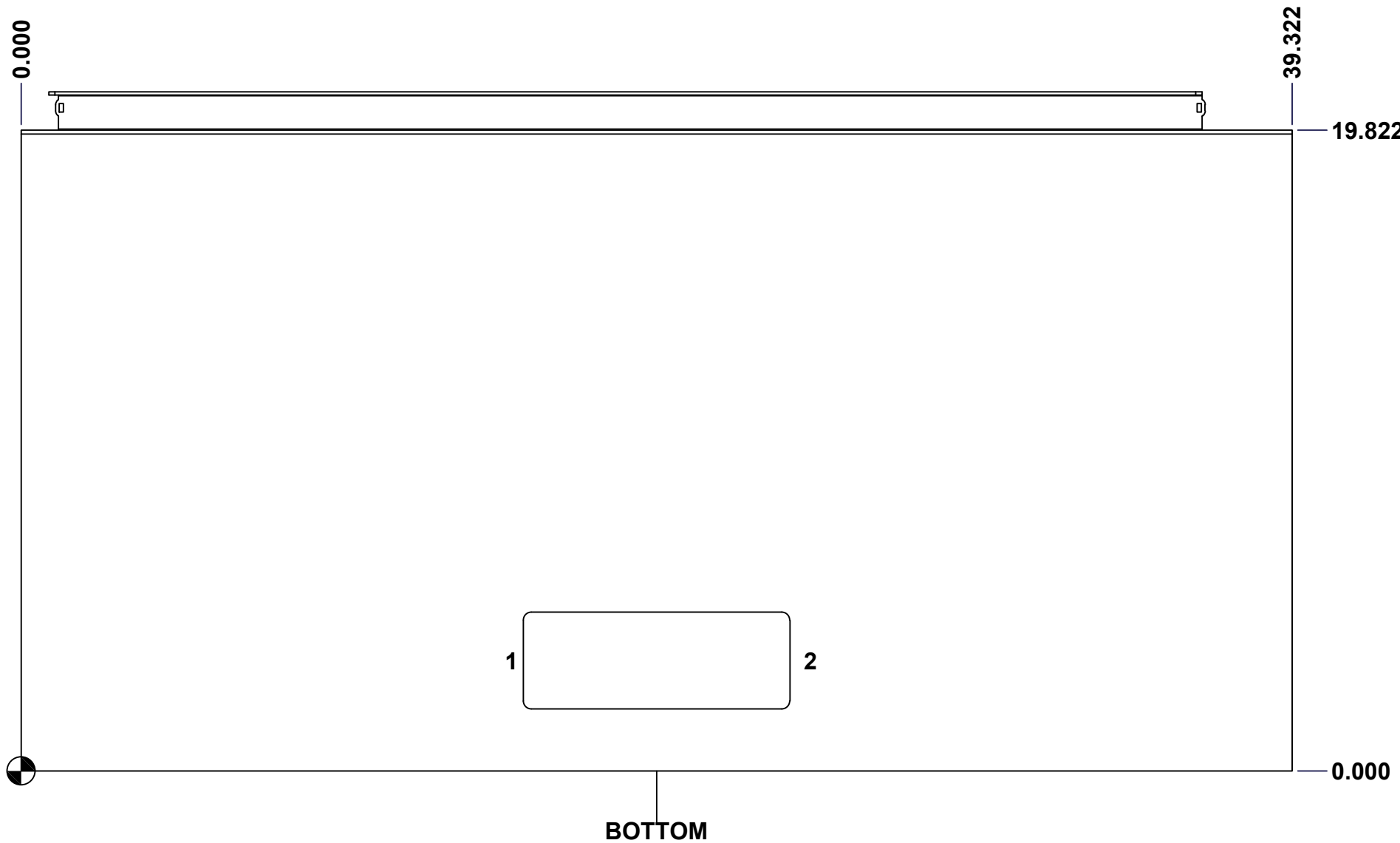


	Description	Status
	9500U1D 90" x 39.5" x 20" Body	(NULL)
	Part Number Numéro Pièce	Rev.
	<b>9500U1D904020B</b>	<b>0</b>
		4
		13

This drawing is confidential and must not be reproduced or used without the consent of EXM

Ce dessin est confidentiel et ne doit pas être reproduit ou utilisé sans le consentement de EXM

<b>STANDARD FEATURES ARE NOT LISTED IN THIS HOLE TABLE</b>			
<b>HOLE TABLE - BOTTOM VIEW (CUSTOM FEATURE ONLY)</b>			
CUT-OUT	XDIM	YDIM	DESCRIPTION
1	15.036	3.411	GP STUD M6 x 16mm (Inside)
2	24.286	3.411	GP STUD M6 x 16mm (Inside)

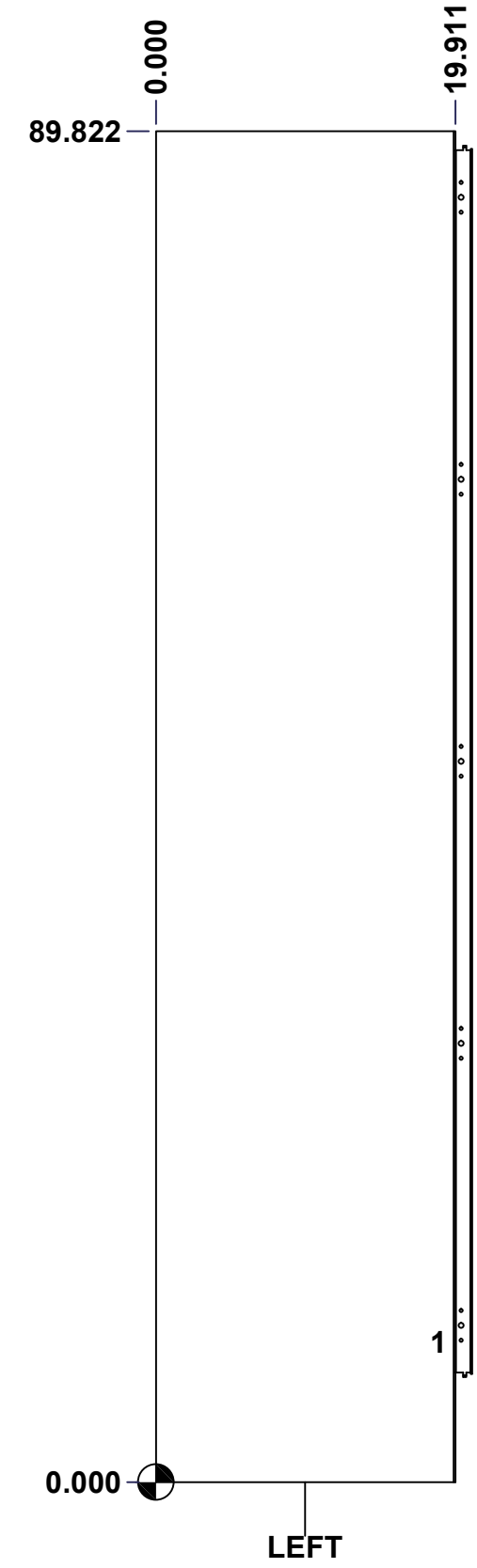


	Description		Status
	9500U1D 90" x 39.5" x 20" Body		(NULL)
Part Number Numéro Pièce		Rev.	5
<b>9500U1D904020B</b>		<b>0</b>	13

This drawing is confidential and must not be reproduced or used without the consent of EXM

Ce dessin est confidentiel et ne doit pas être reproduit ou utilisé sans le consentement de EXM

STANDARD FEATURES ARE NOT LISTED IN THIS HOLE TABLE			
HOLE TABLE - LEFT VIEW (CUSTOM FEATURE ONLY)			
CUT-OUT	XDIM	YDIM	DESCRIPTION
1	18.411	9.286	GND STUD M6 x 16mm (Inside)



	Description	Status
	9500U1D 90" x 39.5" x 20" Body	(NULL)
	Part Number Numéro Pièce	Rev.
	<b>9500U1D904020B</b>	<b>0</b>
		6
		13

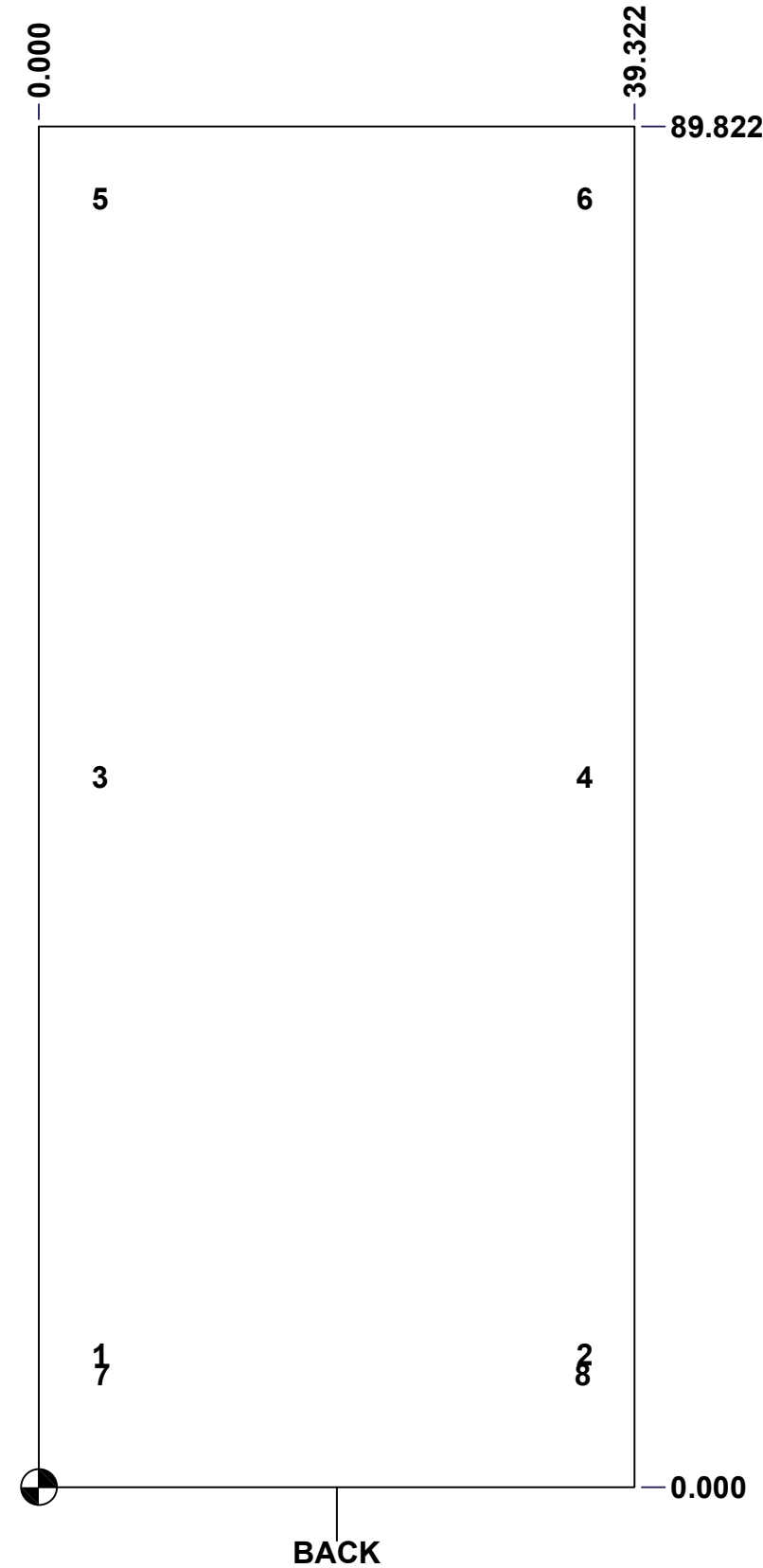
This drawing is confidential and must not be reproduced or used without the consent of EXM

Ce dessin est confidentiel et ne doit pas être reproduit ou utilisé sans le consentement de EXM

**STANDARD FEATURES ARE NOT LISTED IN THIS HOLE TABLE**

**HOLE TABLE - BACK VIEW (CUSTOM FEATURE ONLY)**

CUT-OUT	XDIM	YDIM	DESCRIPTION
1	3.661	8.786	IP STUD M10 x 40mm (Inside)
2	35.661	8.786	IP STUD M10 x 40mm (Inside)
3	3.661	46.911	IP STUD M10 x 40mm (Inside)
4	35.661	46.911	IP STUD M10 x 40mm (Inside)
5	3.661	85.036	IP STUD M10 x 40mm (Inside)
6	35.661	85.036	IP STUD M10 x 40mm (Inside)
-----	-----	-----	-----
7	3.786	7.411	IP SUPPORT ANGLE (Inside)
8	35.536	7.411	IP SUPPORT ANGLE (Inside)

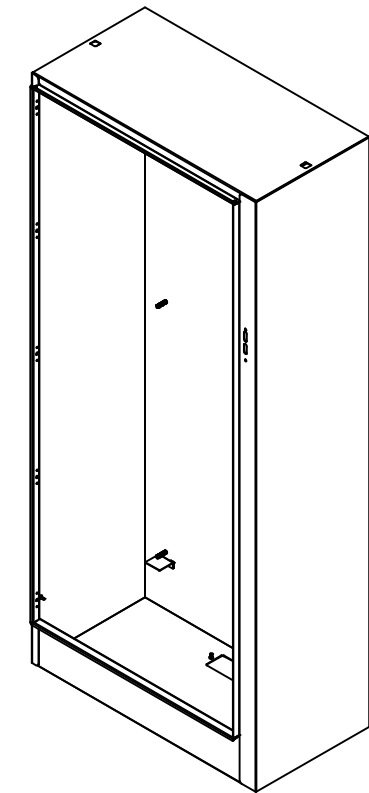


	Description		Status
	9500U1D 90" x 39.5" x 20" Body		(NULL)
Part Number Numéro Pièce		Rev.	7
<b>9500U1D904020B</b>		<b>0</b>	13

This drawing is confidential and must not be reproduced or used without the consent of EXM

Ce dessin est confidentiel et ne doit pas être reproduit ou utilisé sans le consentement de EXM

No.	Revisions	Date	By/Par


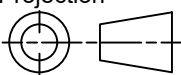


Isometric View



2	STK-Q-16030	0	Stud M6 x 10mm Steel
1	CR400MS_33.5	0	Commercial Roll Mild Steel (33.5in long)
2	9500U1D904020BPA-P	0	9500U1D Inner Panel Support Angle
2	STK-Q-74910	0	Eyebolt Lifting Angle (15.500")
1	STK-P-02400S	0	Powder Paint (Asa-61 Grey / Smooth)
6	STK-Q-16100	0	Stud M10 x 40mm Steel
1	9500U1D904020BT-P	0	9500U1D 39.5" x 20" Bottom Part
1	9500U1D904020T-P	0	9500U1D 39.5" x 20" Top Part
1	9500U1D904020RS-P	0	9500U1D 90" x 39.5" Right Part
1	9500U1D904020LS-P	0	9500U1D 90" x 39.5" Left Part
1	9500U1D904020B-P	0	9500U1D 90" x 39.5" Back Part
3	STK-Q-16080	0	Ground Stud M6 x 16mm Steel

Qty	Part Number	Rev	Description
Parts List			

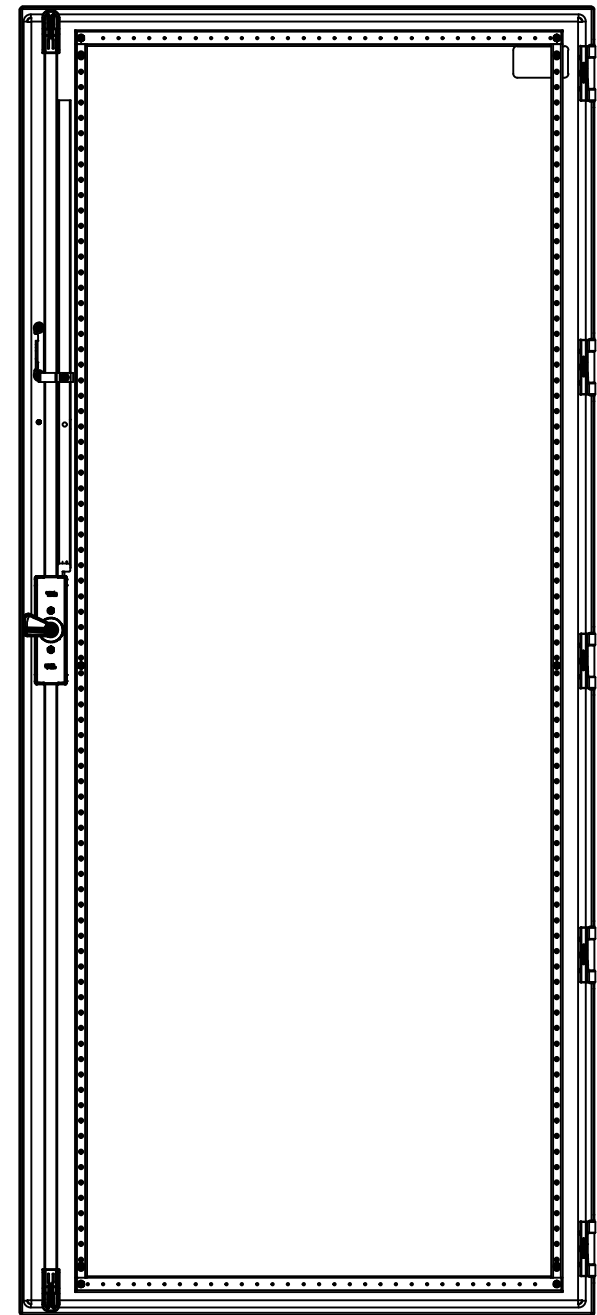
 Tél: (450) 979-4373 Fax: (450) 979-4626 <a href="http://www.exmweb.com">www.exmweb.com</a>		Flatness Aplatissement Max 3.0mm Projection 
Customer Client	Date	
Drawn By Dessiné Par	BoxCad: BoxCad	Date 12-Dec-19
Material Matière	12 Ga Cold Rolled A1008 CS Type B (2.5mm)	
Color Couleur	Asa-61 Grey	Finish Fini Smooth
Description		Detail Rev.
9500U1D 90" x 39.5" x 20" Body		
Part Number Numéro Pièce	Rev.	8
<b>9500U1D904020B</b>	<b>0</b>	13

This drawing is confidential and must not be reproduced or used without the consent of EXM

Ce dessin est confidentiel et ne doit pas être reproduit ou utilisé sans le consentement de EXM



TOP

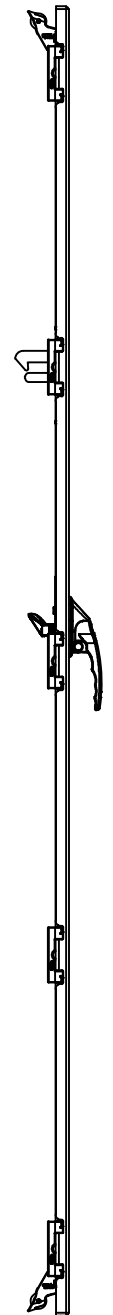


BACK



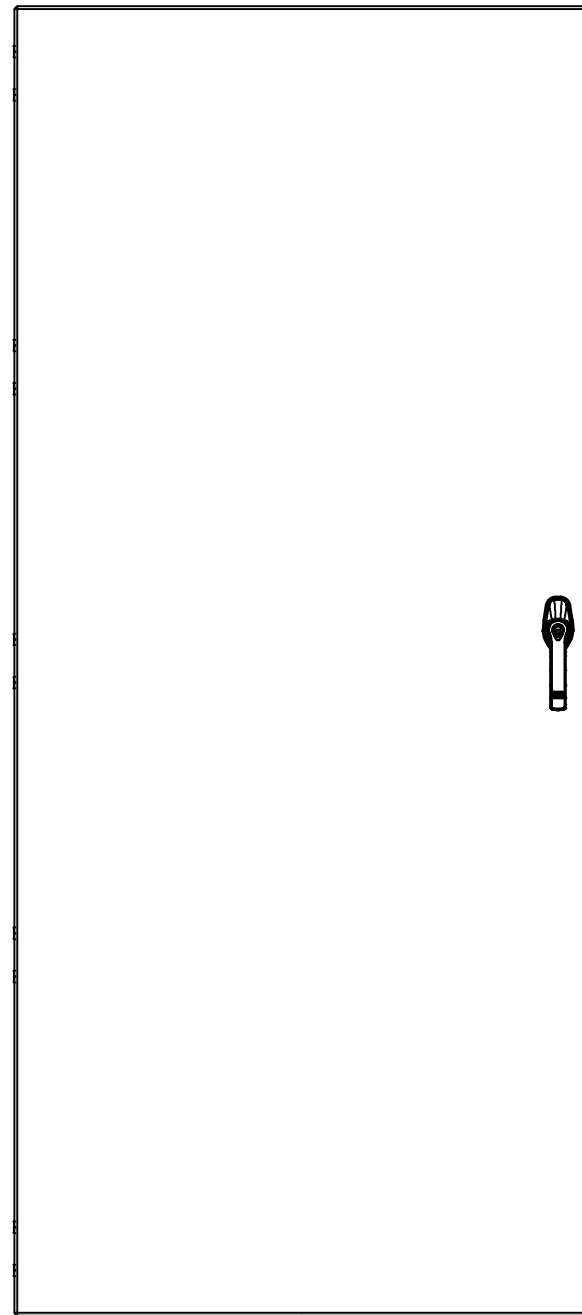
BOTTOM

0.000  
0.835



LEFT

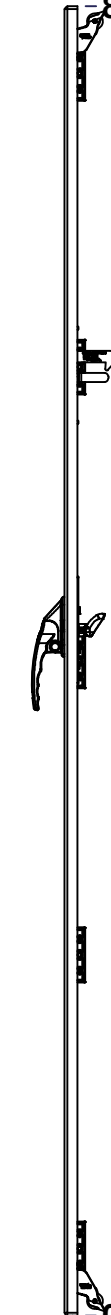
0.000



FRONT

36.688

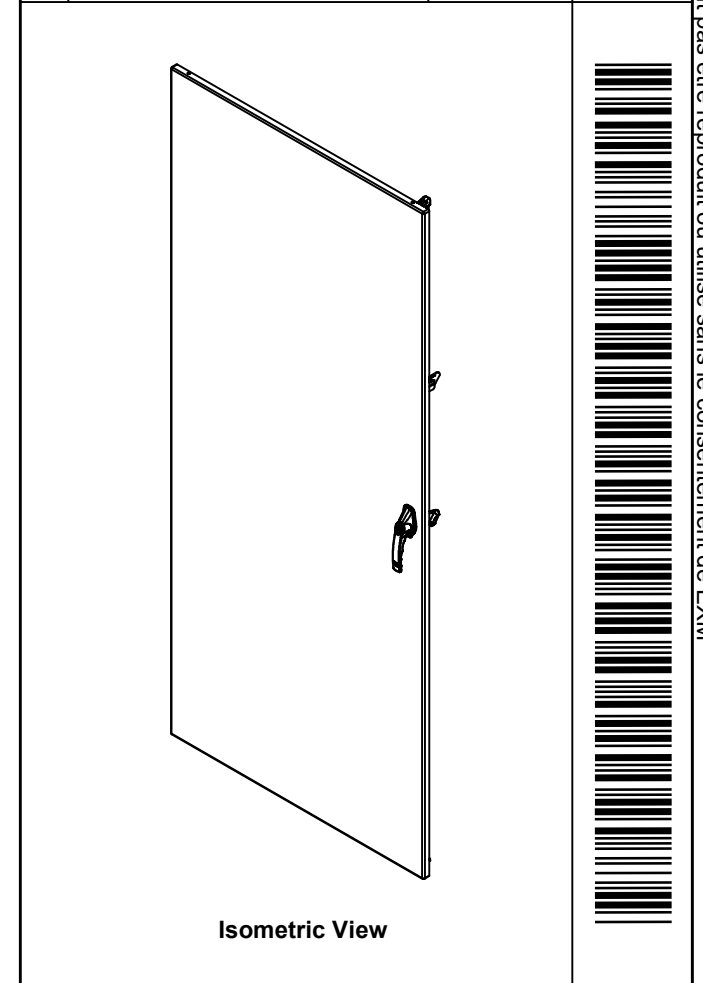
83.549


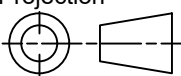


RIGHT

0.000

No.	Revisions	Date	By/Par

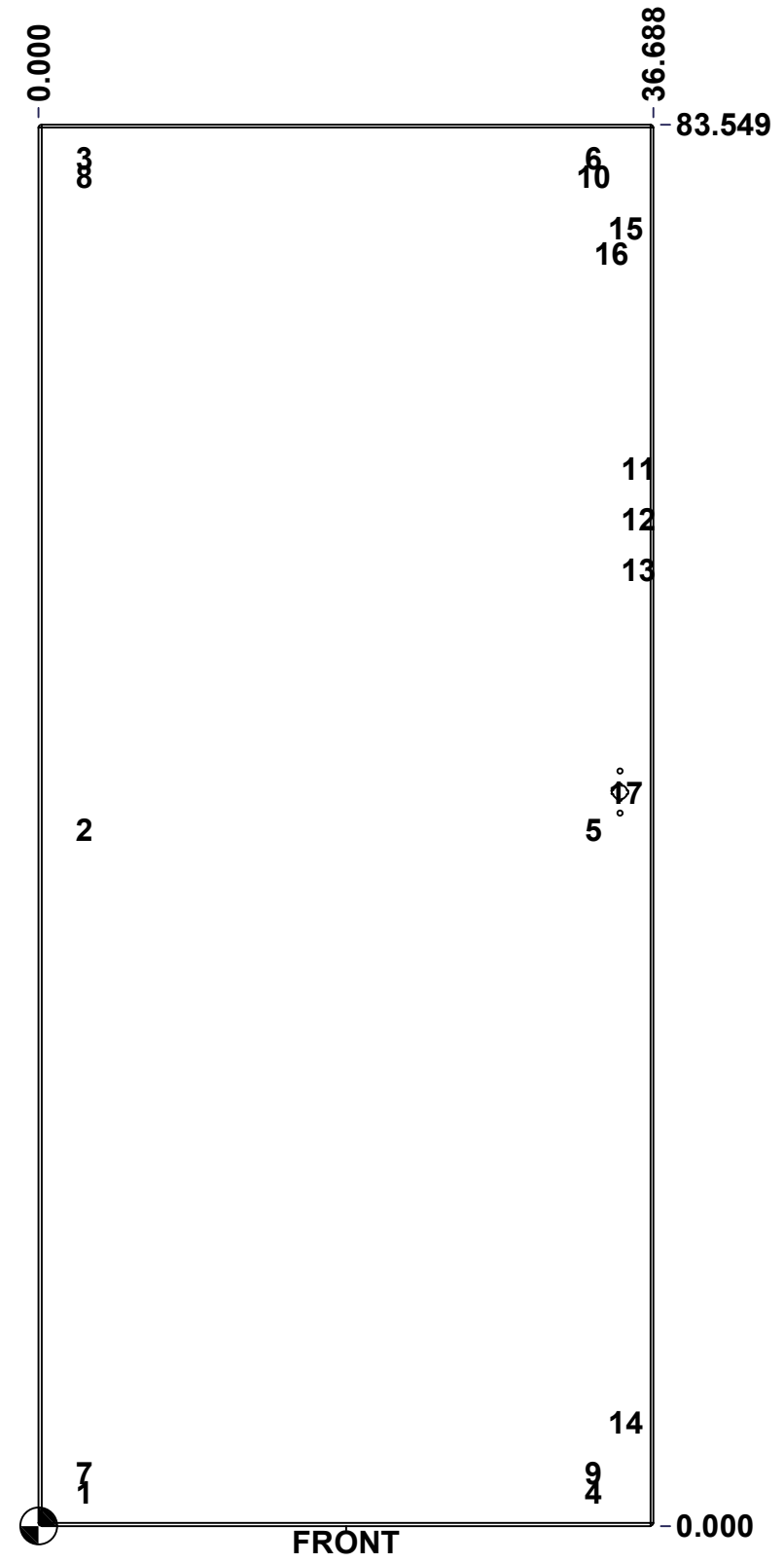


 Tél: (450) 979-4373 Fax: (450) 979-4626 <a href="http://www.exmweb.com">www.exmweb.com</a>		Flatness Aplatissement
		Max 3.0mm
Customer Client Drawn By / Dessiné Par: BoxCad: BoxCad Material / Matière: 12 Ga Cold Rolled A1008 CS Type B (2.5mm)		Projection
		
Date		Date
Date 12-Dec-19		Date
Color / Couleur: Asa-61 Grey		Finish / Fini: Smooth
Description: 9500U1D 90" x 39.5" Cover		Detail Rev.
Part Number / Numéro Pièce: 9500U1D904020C		Rev. 9
SEE BILL OF MATERIAL ON LAST PAGE		0
		13

This drawing is confidential and must not be reproduced or used without the consent of EXM

Ce dessin est confidentiel et ne doit pas être reproduit ou utilisé sans le consentement de EXM

STANDARD FEATURES ARE NOT LISTED IN THIS HOLE TABLE			
HOLE TABLE - FRONT VIEW (CUSTOM FEATURE ONLY)			
CUT-OUT	XDIM	YDIM	DESCRIPTION
1	2.406	2.028	STUD M6 x 18mm (Inside)
2	2.406	41.486	STUD M6 x 18mm (Inside)
3	2.406	81.521	STUD M6 x 18mm (Inside)
4	32.762	2.028	STUD M6 x 18mm (Inside)
5	32.762	41.486	STUD M6 x 18mm (Inside)
6	32.762	81.521	STUD M6 x 18mm (Inside)
7	2.406	3.139	STUD M6 x 18mm (Inside)
8	2.406	80.409	STUD M6 x 18mm (Inside)
9	32.762	3.139	STUD M6 x 18mm (Inside)
10	32.762	80.409	STUD M6 x 18mm (Inside)
11	35.448	63.011	STUD M6 x 18mm (Inside)
12	35.448	60.011	STUD M6 x 18mm (Inside)
13	35.448	57.011	STUD M6 x 18mm (Inside)
14	34.671	6.179	LARGE CBAR GUIDE (Inside)
15	34.671	77.370	LARGE CBAR GUIDE (Inside)
16	33.815	75.870	LARGE CBAR GUIDE (Inside)
-----			
17	34.681	43.743	HANDLE 885 ESL2A-APHD @ 0.0°

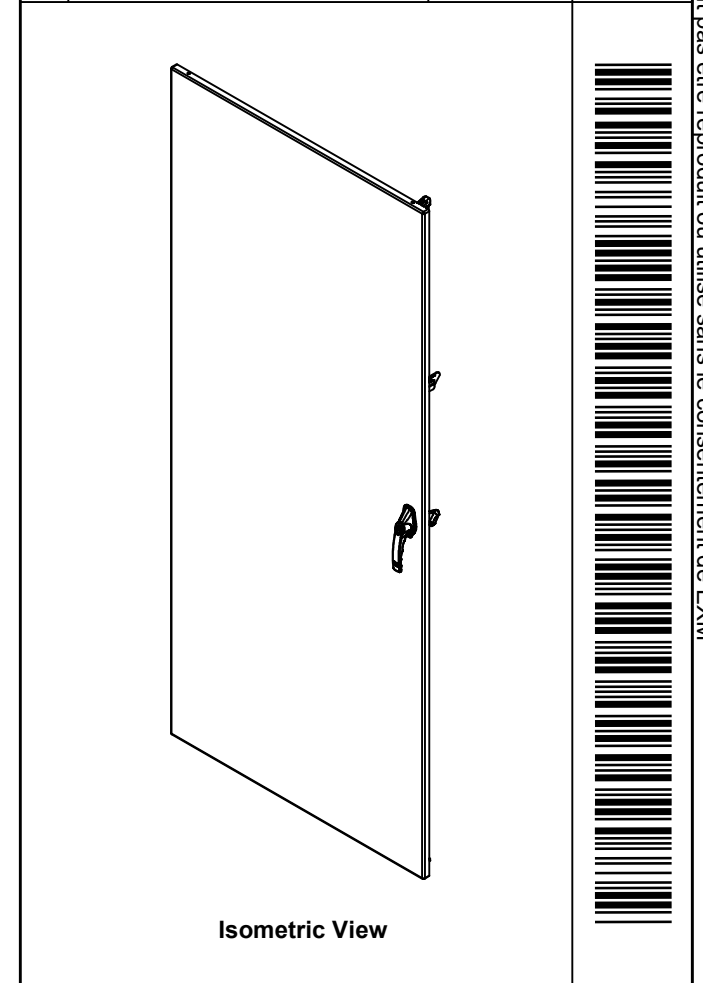


	Description	Status	
	9500U1D 90" x 39.5" Cover	(NULL)	
	Part Number Numéro Pièce	Rev.	10
	<b>9500U1D904020C</b>	<b>0</b>	13

This drawing is confidential and must not be reproduced or used without the consent of EXM

Ce dessin est confidentiel et ne doit pas être reproduit ou utilisé sans le consentement de EXM

No.	Revisions	Date	By/Par



**EXM**  
www.exm.com

Tél: (450) 979-4373  
Fax: (450) 979-4626  
[www.exmweb.com](http://www.exmweb.com)

Flatness  
Aplatissement  
Max 3.0mm

Projection

QTY	Part Number	Rev	Description
1	STK-K-09590	0	9500 UxD 90" Locking Mechanism Kit
1	885ESL2A-APHD	0	885 ESL2A-APHD - Zinc Die Cast L-Handle Padlockable Assy - Slot Cylinder
1	STK-P-02400S	0	Powder Paint (Asa-61 Grey / Smooth)
1	STK-S-00100	0	3.5" x 2" Silver Milar Flexcon Sticker
1	9500U1D904020DS1	0	9500U1D 90" x 39.5" Door Stiffener
3	STK-Q-16410	0	Guide Stud - Largel (No Paint Cap Required)
13	STK-Q-16055	1	M6 x 18mm Stud (No Paint Cap Required)
1	9500U1D904020G	0	9500U1D 90" x 39.5" Cover Gasket
1	9500U1D904020C-P	0	9500U1D 90" x 39.5" Cover Part
5	STK-K-09860	7	Cabinet Hinge with Captive Pins

Parts List

Customer  
Client

Drawn By  
Dessiné Par BoxCad: BoxCad

Material  
Matière 12 Ga Cold Rolled A1008 CS Type B (2.5mm)

Color  
Couleur Asa-61 Grey

Finish  
Fini Smooth

Description  
9500U1D 90" x 39.5" Cover

Detail Rev.

Part Number  
Numéro Pièce **9500U1D904020C**

Rev. **0**

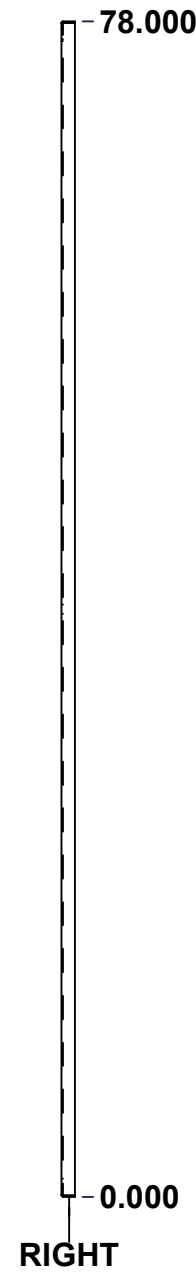
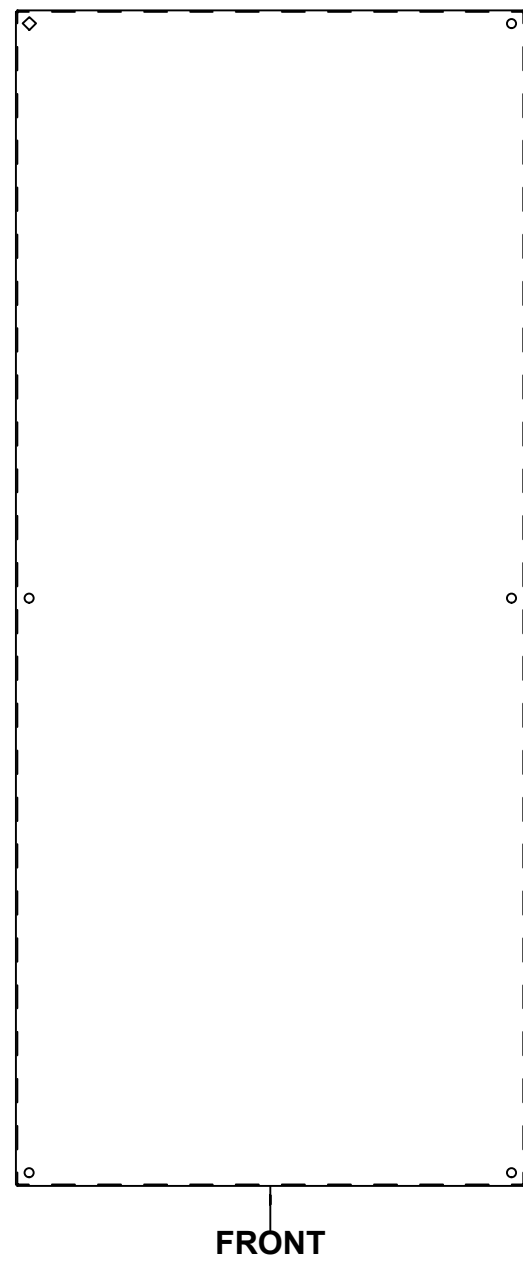
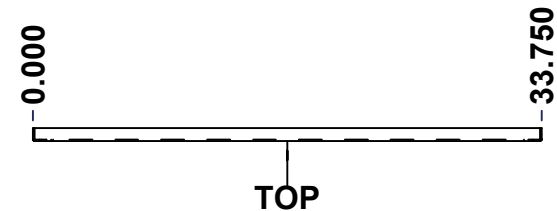
11  
13

Date

Date 12-Dec-19

This drawing is confidential and must not be reproduced or used without the consent of EXM

Ce dessin est confidentiel et ne doit pas être reproduit ou utilisé sans le consentement de EXM



No.	Revisions	Date	By/Par

Isometric View

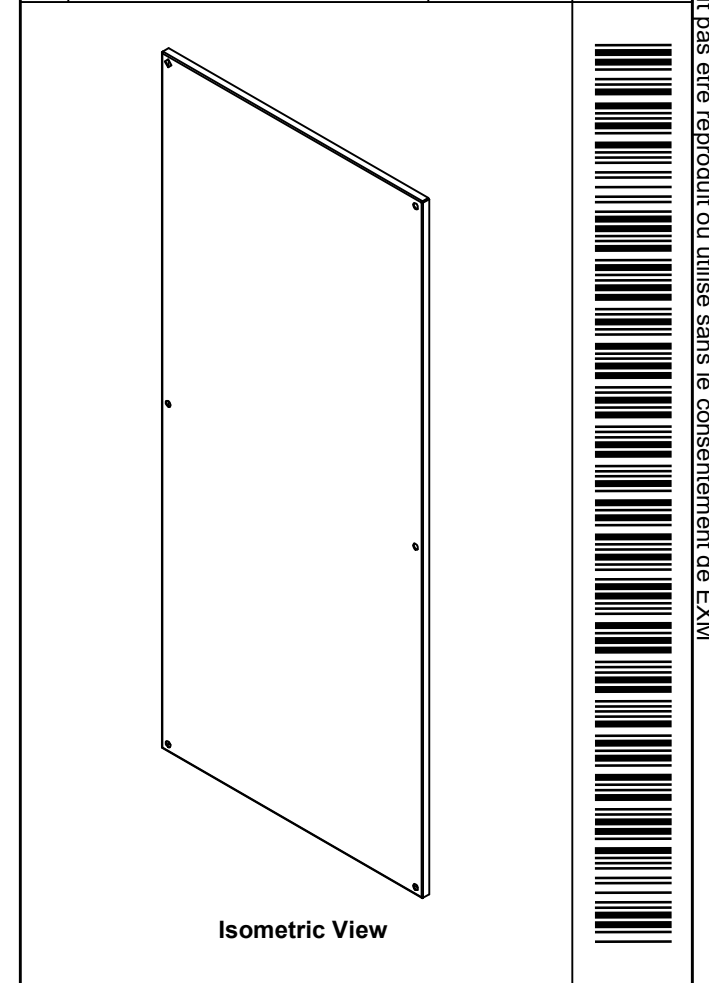
<p>Tél: (450) 979-4373                  Fax: (450) 979-4626  <a href="http://www.exmweb.com">www.exmweb.com</a></p>		Flatness Aplatissement Max 3.0mm Projection 
Customer Client	Date	
Drawn By Dessiné Par	BoxCad: BoxCad	Date 12-Dec-19
Material Matière	12 Ga Galvanized (2.5mm)	
Color Couleur	Unpainted	Finish Fini Unpainted
Description	Detail Rev.	
9500U1D 90" x 39.5" Inner Panel		
Part Number Numéro Pièce	Rev.	12
9500U1D904020IP	0	13


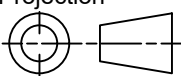
SEE BILL OF MATERIAL ON LAST PAGE

This drawing is confidential and must not be reproduced or used without the consent of EXM

Ce dessin est confidentiel et ne doit pas être reproduit ou utilisé sans le consentement de EXM

No.	Revisions	Date	By/Par



 Tél: (450) 979-4373 Fax: (450) 979-4626 <a href="http://www.exmweb.com">www.exmweb.com</a>		Flatness Aplatissement Max 3.0mm
Customer Client		Projection 
Drawn By / Dessiné Par: BoxCad: BoxCad		Date: 12-Dec-19
Material / Matière: 12 Ga Galvanized (2.5mm)		
Color / Couleur: Unpainted	Finish / Fini: Unpainted	
Description: 9500U1D 90" x 39.5" Inner Panel		Detail Rev.
Part Number / Numéro Pièce: <b>9500U1D904020IP</b>		Rev. 0 / 13

Qty	Part Number	Rev	Description
1	9500U1D904020IP-P	0	9500U1D 90" x 39.5" Inner Panel Part
Parts List			