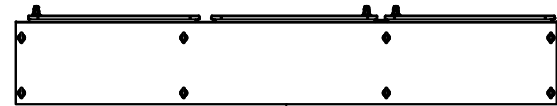
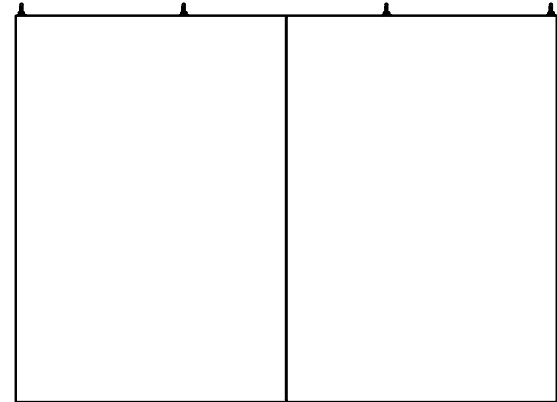


This drawing is confidential and must not be reproduced or used without the consent of EXM

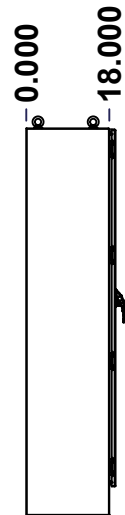
Ce dessin est confidentiel et ne doit pas être reproduit ou utilisé sans le consentement de EXM



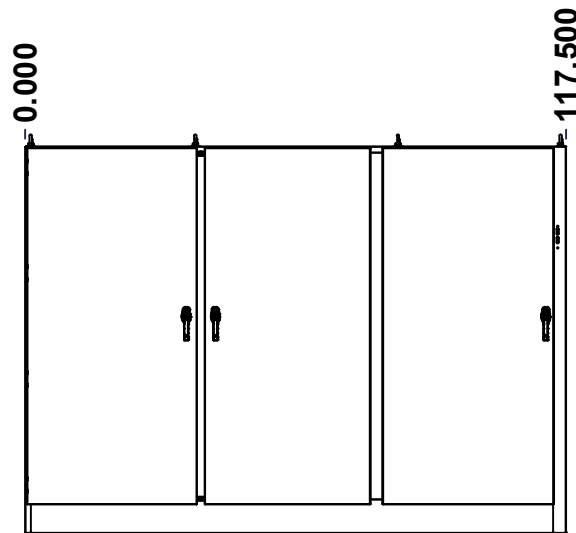
TOP



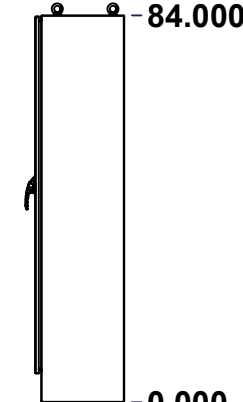
BACK



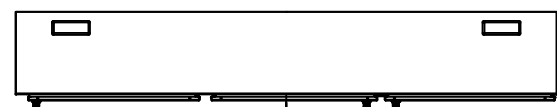
LEFT



FRONT

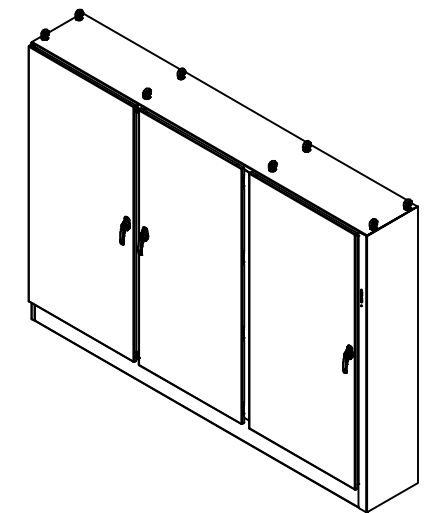


RIGHT



BOTTOM

No.	Revisions	Date	By/Par
0.1		18-Oct-24	



Isometric View

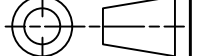


Tél: (450) 979-4373
 Fax: (450) 979-4626
www.exmweb.com

Flatness
Aplatissement

Max 3.0mm

Projection



Customer Client	Date
Drawn By / Dessiné Par: BoxCad: BoxCad	Date: 05-Sep-24

Material / Matière: 12 Ga Cold Rolled A1008 CS Type B (2.5mm)

Color / Couleur: Asa-61 Grey	Finish / Fini: Smooth
------------------------------	-----------------------

Description: 9500U3D 84" x 117.5" x 18" Assembly

Part Number / Numéro Pièce: 9500U3D8411818	Rev. 0	1	21
--	--------	---	----

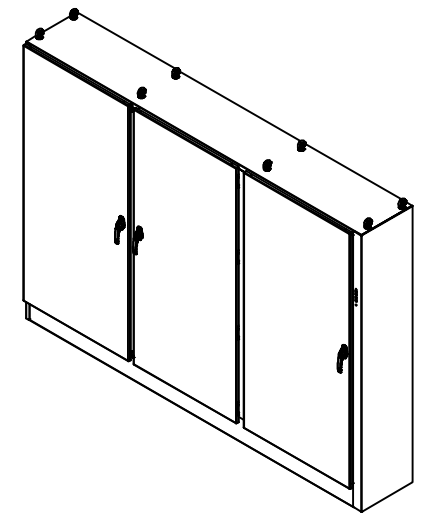
SEE BILL OF MATERIAL ON LAST PAGE

This drawing is confidential and must not be reproduced or used without the consent of EXM

Ce dessin est confidentiel et ne doit pas être reproduit ou utilisé sans le consentement de EXM

NOTE	
ITEM	DESCRIPTION
1	NEMA 12, 13 Enclosure (IP55)
2	C/W Standard ground studs on box and cover
3	C/W Standard door stiffener
4	C/W Special inner panel (Sold separately)
5	C/W Standard inner panel mounting studs
6	C/W Eyebolts sold separately (Installed by EXM)
7	C/W Struts installed (Included)


No.	Revisions	Date	By/Par
0.1		18-Oct-24	



Isometric View

PACKING		
ITEM	QTY	DESCRIPTION
Cardboard sleeve	2	Top and Bottom
Cardboard strip	2	Between back of enclosure and inner panel
Plastic bag	1	To protect cover surface and inside gasket
Cardboard corner	4	To reinforced for the plastic strap tightening
Plastic strap - Black	2	To Squeeze 2 cardboard sleeve together
Packaging label	3	White label with PN
Plastic strap- Green	2	To secure the enclosure to the wood pallet
Wood Pallet	1	2" deeper and 3" larger than enclosure size

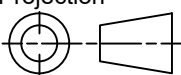
Qty	Part Number	Rev	Description
1	STK-A-880INTM	0	9500U3D Multi Door Interlock
16	STK-Q-07320	0	Flange Lock Nut M10
1	9500U3D8411818I2	0	9500U3D 84" x 117.5" Inner Panel
1	9500U3D8411818IP	0	9500U3D 84" x 117.5" Inner Panel
16	STK-Q-07620	0	M10 Plastic Spacer 0.875"
1	9500U3D8411818FD	0	9500U3D 84" x 117.5" Flange Door
1	9500U3D8411818RD	0	9500U3D 84" x 117.5" Lock Door
1	9500U3D8411818LD	0	9500U3D 84" x 117.5" Lock Door
1	9500U3D8411818B	0	9500U3D 84" x 117.5" x 18" Body
4	880EB14	2	Eye Bolt M14 (Pack of 2)
2	9500U3D8411818GP	0	9500U3D Gland Plate
12	STK-Q-04050-10	8	M6 x 10mm Hexagon Socket Head Machine Screw with Nyseal
2	STK-Q-07220	1	M6 Nylon Insert Lock Nut
Parts List			



Tél: (450) 979-4373
Fax: (450) 979-4626
www.exmweb.com

Flatness
Aplatissement
Max 3.0mm

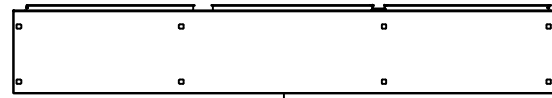
Projection



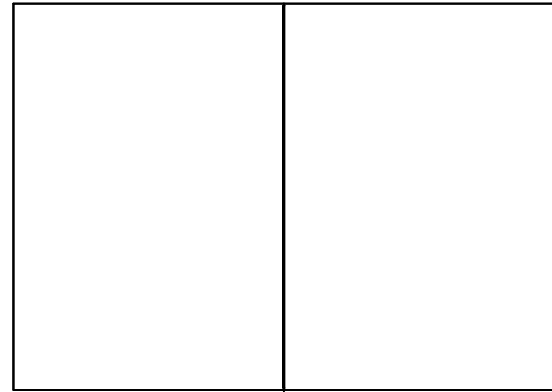
Customer Client	Date
Drawn By Dessiné Par BoxCad: BoxCad	Date 05-Sep-24
Material Matière 12 Ga Cold Rolled A1008 CS Type B (2.5mm)	
Color Couleur Asa-61 Grey	Finish Fini Smooth
Description 9500U3D 84" x 117.5" x 18" Assembly	Detail Rev.
Part Number Numéro Pièce 9500U3D8411818	Rev. 0

This drawing is confidential and must not be reproduced or used without the consent of EXM

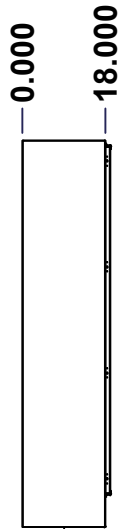
Ce dessin est confidentiel et ne doit pas être reproduit ou utilisé sans le consentement de EXM



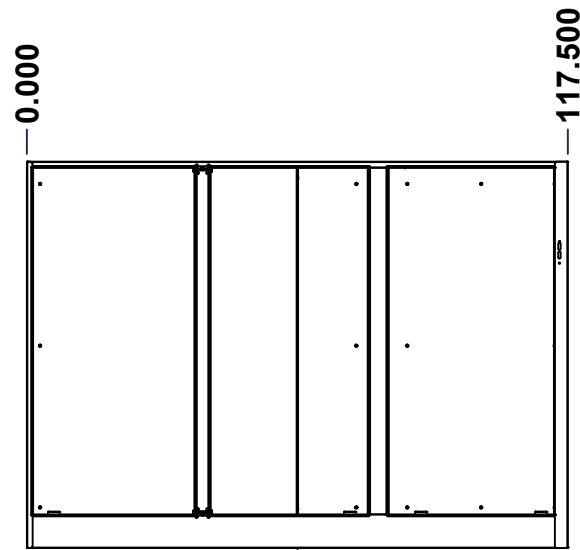
TOP



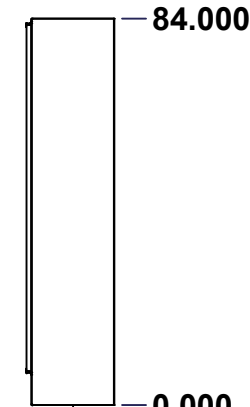
BACK



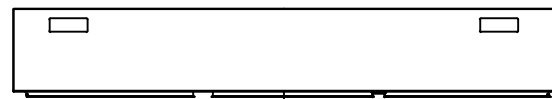
LEFT



FRONT

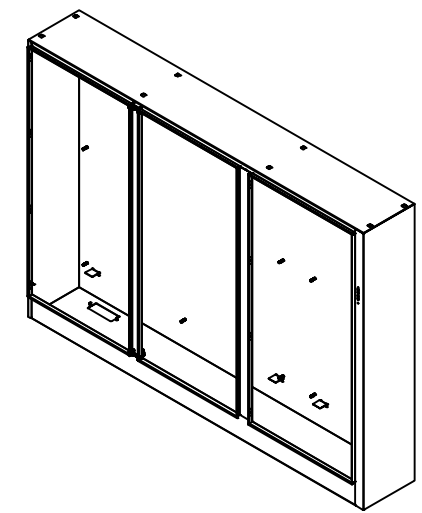


RIGHT



BOTTOM

No.	Revisions	Date	By/Par
0.1		18-Oct-24	



Isometric View



Tél: (450) 979-4373
 Fax: (450) 979-4626
www.exmweb.com

Flatness
Aplatissement

Max 3.0mm

Projection



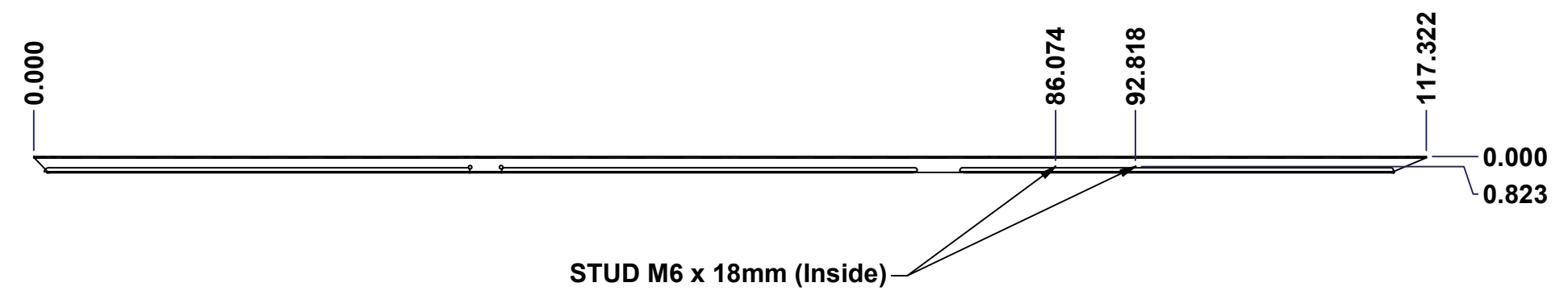
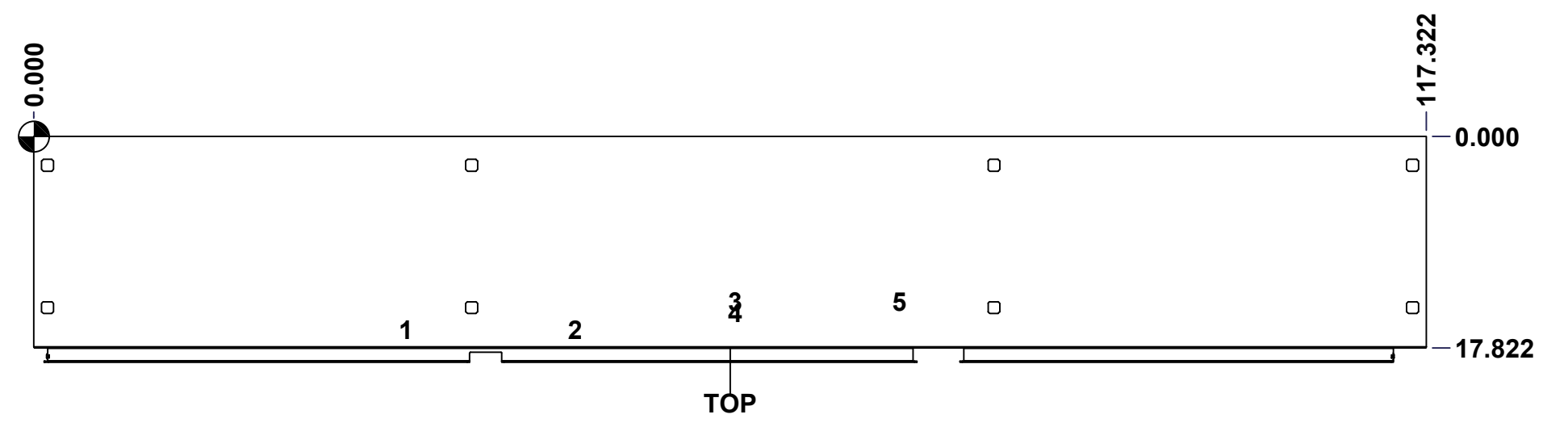
Customer Client	Date
Drawn By Dessiné Par BoxCad: BoxCad	Date 05-Sep-24
Material Matière 12 Ga Cold Rolled A1008 CS Type B (2.5mm)	
Color Couleur Asa-61 Grey	Finish Fini Smooth
Description 9500U3D 84" x 117.5" x 18" Body	Detail Rev.
Part Number Numéro Pièce 9500U3D8411818B	Rev. 3 0

SEE BILL OF MATERIAL ON LAST PAGE

This drawing is confidential and must not be reproduced or used without the consent of EXM

Ce dessin est confidentiel et ne doit pas être reproduit ou utilisé sans le consentement de EXM

STANDARD FEATURES ARE NOT LISTED IN THIS HOLE TABLE			
HOLE TABLE - TOP VIEW (CUSTOM FEATURE ONLY)			
CUT-OUT	XDIM	YDIM	DESCRIPTION
1	30.942	16.260	INTERLOCK STUD M6 X 18mm (Inside)
2	45.192	16.260	INTERLOCK STUD M6 X 18mm (Inside)
3	58.661	13.911	Struts CR400 27.500" (Inside)
4	58.661	14.840	STUDS M6 x 10mm (Inside)
5	72.527	13.911	STUDS M6 x 10mm (Inside)

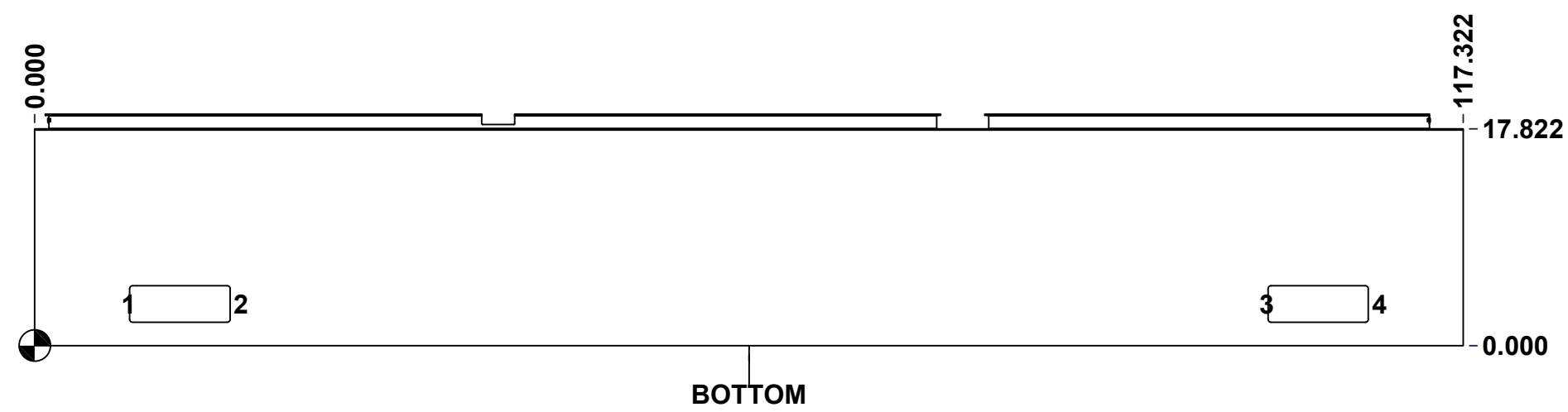


	Description	Status	
	9500U3D 84" x 117.5" x 18" Body	(NULL)	
	Part Number	Rev.	4
	Numéro Pièce	0	21
	9500U3D8411818B		

This drawing is confidential and must not be reproduced or used without the consent of EXM

Ce dessin est confidentiel et ne doit pas être reproduit ou utilisé sans le consentement de EXM

STANDARD FEATURES ARE NOT LISTED IN THIS HOLE TABLE			
HOLE TABLE - BOTTOM VIEW (CUSTOM FEATURE ONLY)			
CUT-OUT	XDIM	YDIM	DESCRIPTION
1	7.286	3.411	GP STUD M6 x 16mm (Inside)
2	16.536	3.411	GP STUD M6 x 16mm (Inside)
3	100.786	3.411	GP STUD M6 x 16mm (Inside)
4	110.036	3.411	GP STUD M6 x 16mm (Inside)

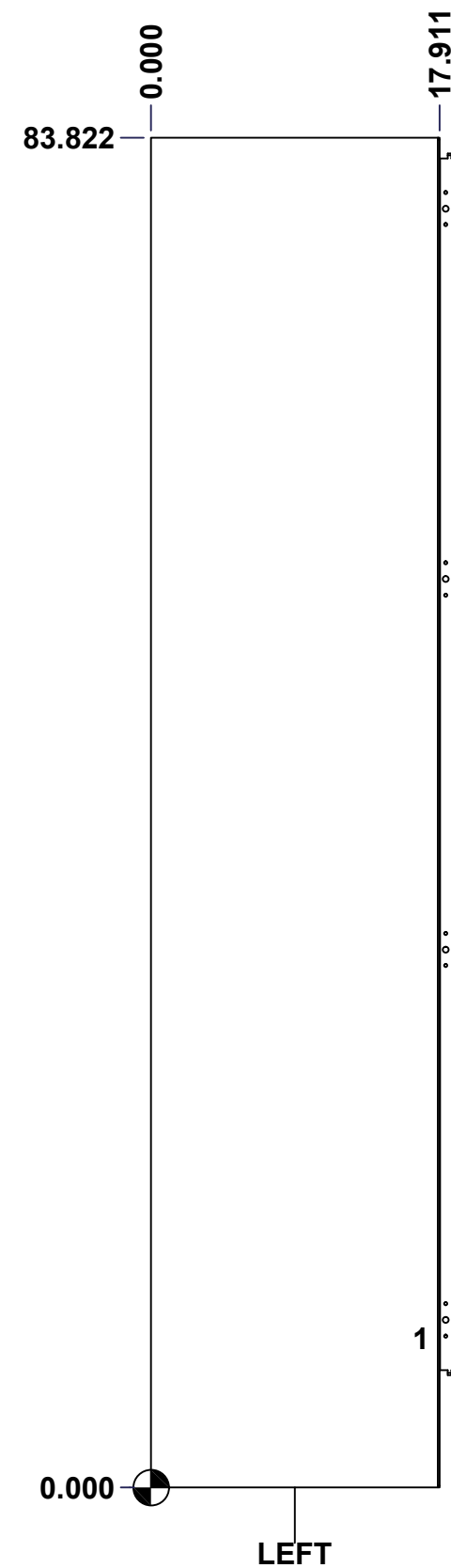


	Description	Status
	9500U3D 84" x 117.5" x 18" Body	(NULL)
Part Number Numéro Pièce 9500U3D8411818B	Rev.	5
	0	21

This drawing is confidential and must not be reproduced or used without the consent of EXM

Ce dessin est confidentiel et ne doit pas être reproduit ou utilisé sans le consentement de EXM

STANDARD FEATURES ARE NOT LISTED IN THIS HOLE TABLE			
HOLE TABLE - LEFT VIEW (CUSTOM FEATURE ONLY)			
CUT-OUT	XDIM	YDIM	DESCRIPTION
1	16.411	9.286	GND STUD M6 x 16mm (Inside)



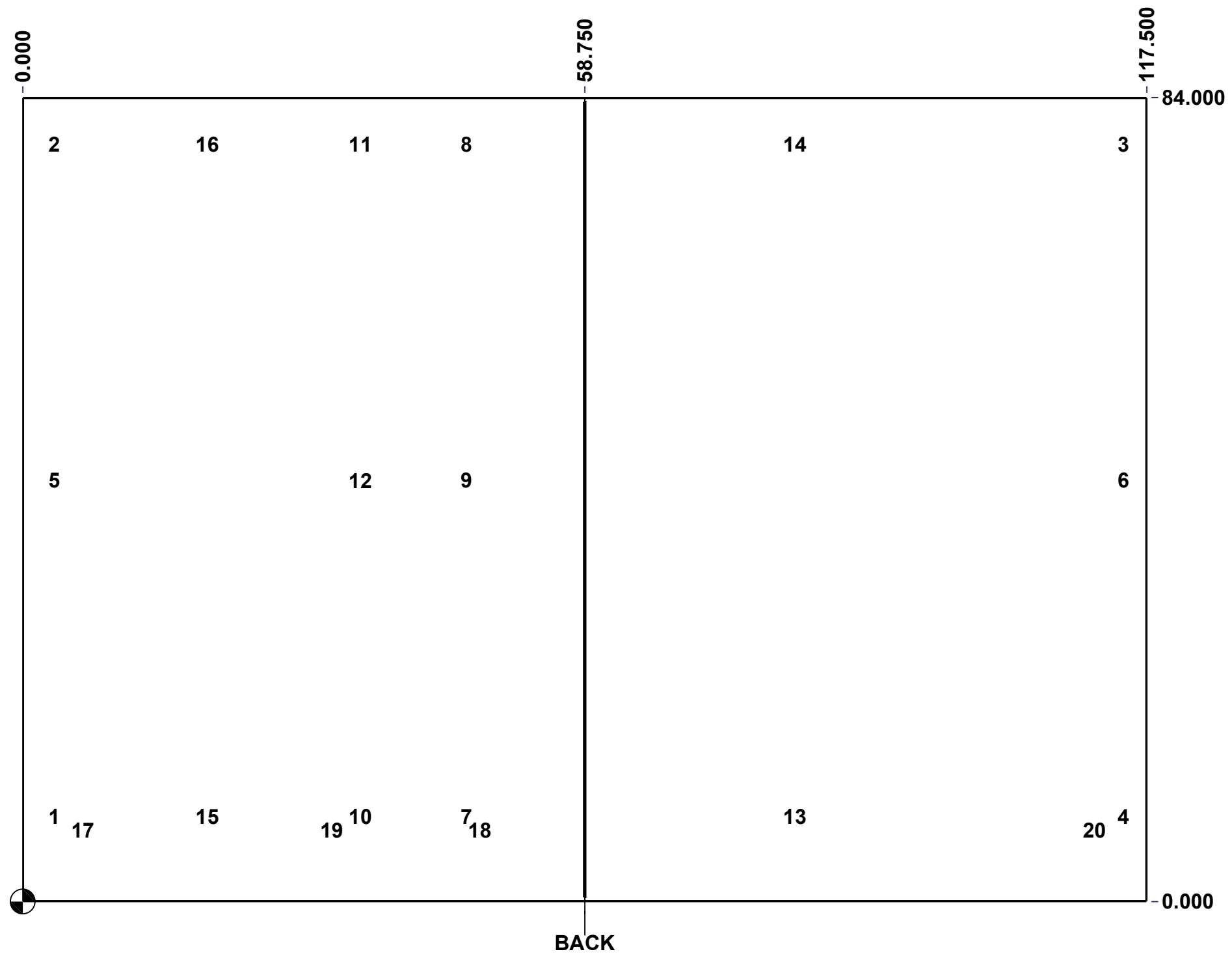
	Description	Status	
	9500U3D 84" x 117.5" x 18" Body	(NULL)	
	Part Number Numéro Pièce	Rev.	6
	9500U3D8411818B	0	21

This drawing is confidential and must not be reproduced or used without the consent of EXM

Ce dessin est confidentiel et ne doit pas être reproduit ou utilisé sans le consentement de EXM

STANDARD FEATURES ARE NOT LISTED IN THIS HOLE TABLE			
HOLE TABLE - BACK VIEW (CUSTOM FEATURE ONLY)			
CUT-OUT	XDIM	YDIM	DESCRIPTION
1	2.875	8.875	IP STUD M10 x 40mm (Inside)
2	2.875	79.125	IP STUD M10 x 40mm (Inside)
3	114.625	79.125	IP STUD M10 x 40mm (Inside)
4	114.625	8.875	IP STUD M10 x 40mm (Inside)
5	2.875	44.000	IP STUD M10 x 40mm (Inside)
6	114.625	44.000	IP STUD M10 x 40mm (Inside)
7	45.975	8.875	IP STUD M10 x 40mm (Inside)
8	45.975	79.125	IP STUD M10 x 40mm (Inside)
9	45.975	44.000	IP STUD M10 x 40mm (Inside)
10	34.875	8.875	IP STUD M10 x 40mm (Inside)
11	34.875	79.125	IP STUD M10 x 40mm (Inside)
12	34.875	44.000	IP STUD M10 x 40mm (Inside)
13	80.300	8.875	IP STUD M10 x 40mm (Inside)
14	80.300	79.125	IP STUD M10 x 40mm (Inside)
15	18.875	8.875	IP STUD M10 x 40mm (Inside)
16	18.875	79.125	IP STUD M10 x 40mm (Inside)

17	5.875	7.500	IP SUPPORT ANGLE (Inside)
18	47.375	7.500	IP SUPPORT ANGLE (Inside)
19	31.875	7.500	IP SUPPORT ANGLE (Inside)
20	111.625	7.500	IP SUPPORT ANGLE (Inside)

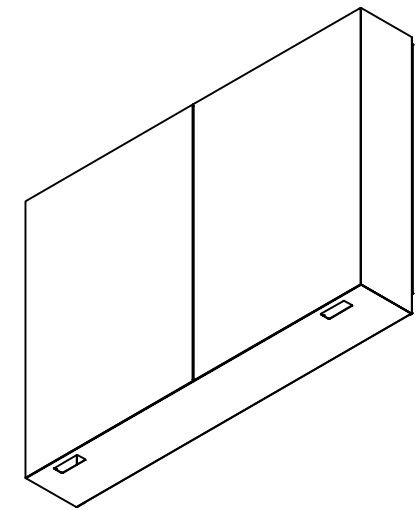


	Description		Status
	9500U3D 84" x 117.5" x 18" Body		(NULL)
Part Number Numéro Pièce		Rev.	7
9500U3D8411818B		0	21

This drawing is confidential and must not be reproduced or used without the consent of EXM

Ce dessin est confidentiel et ne doit pas être reproduit ou utilisé sans le consentement de EXM

No.	Revisions	Date	By/Par
0.1		18-Oct-24	


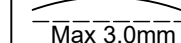
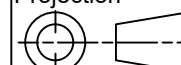


Isometric View



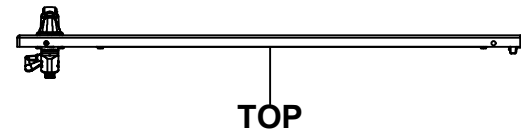
2	STK-Q-16030	0	Stud M6 x 10mm Steel
1	9500U3D8411818_CR400 MS_27.5	0	Commercial Roll Mild Steel (27.5in long)
4	9500U3D8411818BPA-P	0	9500U3D Inner Panel Support Angle
1	STK-P-02400S	0	Powder Paint (Asa-61 Grey / Smooth)
4	STK-Q-16055	1	M6 x 18mm Stud (No Paint Cap Required)
4	9500U3D8411818LA-P	0	9500U3D 18" Lifting Angle Part
1	9500U3D8411818CP-1	0	9500U3D 84" Center Post Part
1	STK-A-75454	3	Center Post - Sealing Block with Latch Assembly (Large)
1	9500U3D8411818CP-P	0	9500U3D 84" Center Post Part
16	STK-Q-16100	0	Stud M10 x 40mm Steel
1	9500U3D8411818BT-P	0	9500U3D 117.5" x 18" Bottom Part
1	9500U3D8411818T-P	0	9500U3D 117.5" x 18" Top Part
1	9500U3D8411818RS-P	0	9500U3D 84" x 117.5" Right Part
1	9500U3D8411818LS-P	0	9500U3D 84" x 117.5" Left Part
1	9500U3D8411818BR-P	0	9500U3D 84" x 117.5" Back Right Part
1	9500U3D8411818BL-P	0	9500U3D 84" x 117.5" Back Left Part
6	STK-Q-16080	0	Ground Stud M6 x 16mm Steel

Qty	Part Number	Rev	Description
Parts List			

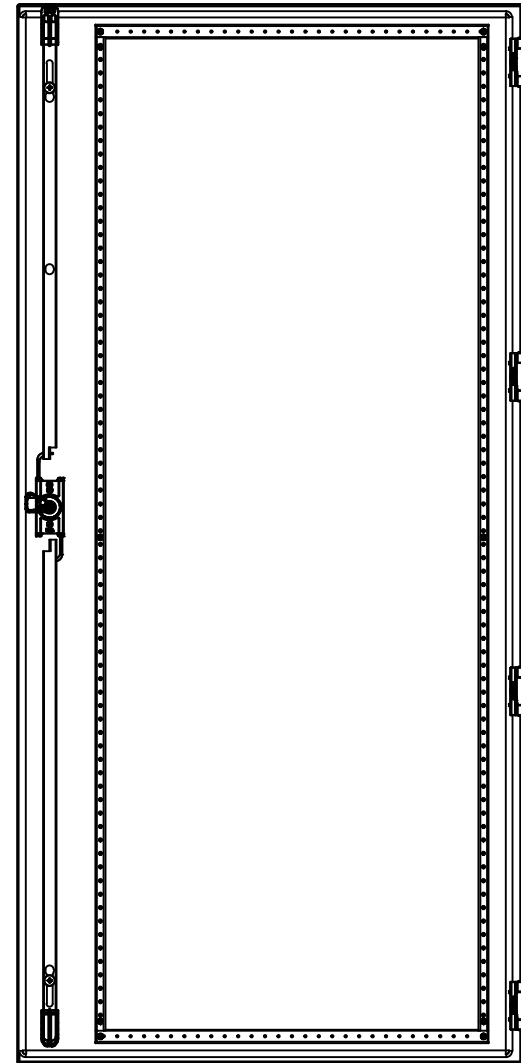
 Tél: (450) 979-4373 Fax: (450) 979-4626 www.exmweb.com		Flatness Aplatissement  Max 3.0mm
Projection 		
Customer Client		Date
Drawn By / Dessiné Par: BoxCad: BoxCad		Date: 05-Sep-24
Material / Matière: 12 Ga Cold Rolled A1008 CS Type B (2.5mm)		
Color / Couleur: Asa-61 Grey		Finish / Fini: Smooth
Description: 9500U3D 84" x 117.5" x 18" Body		Detail Rev.
Part Number / Numéro Pièce: 9500U3D8411818B		Rev. 8
		0 / 21

This drawing is confidential and must not be reproduced or used without the consent of EXM

Ce dessin est confidentiel et ne doit pas être reproduit ou utilisé sans le consentement de EXM



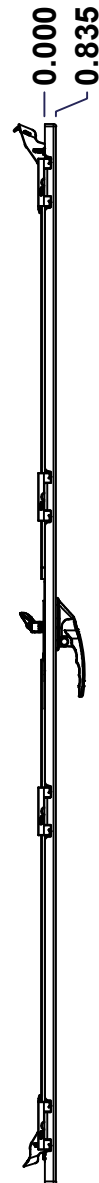
TOP



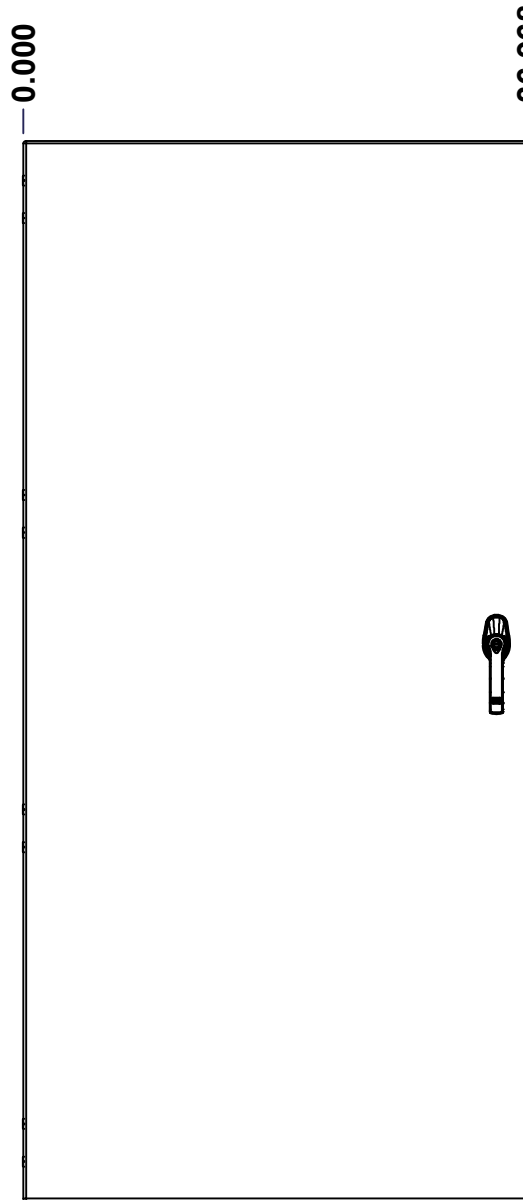
BACK



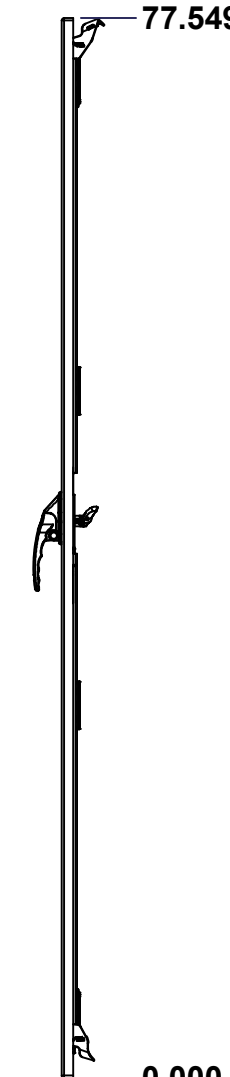
BOTTOM



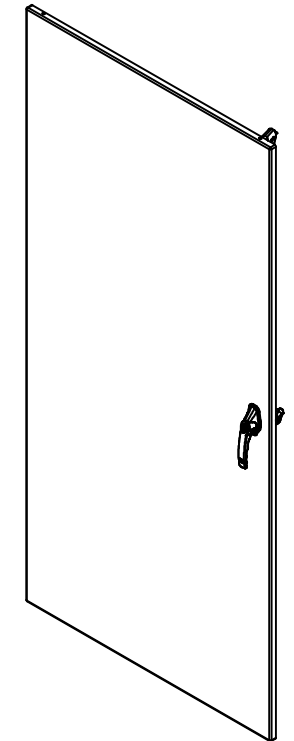
LEFT



FRONT




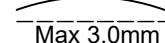
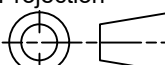
RIGHT



Isometric View



No.	Revisions	Date	By/Par
0.1		18-Oct-24	

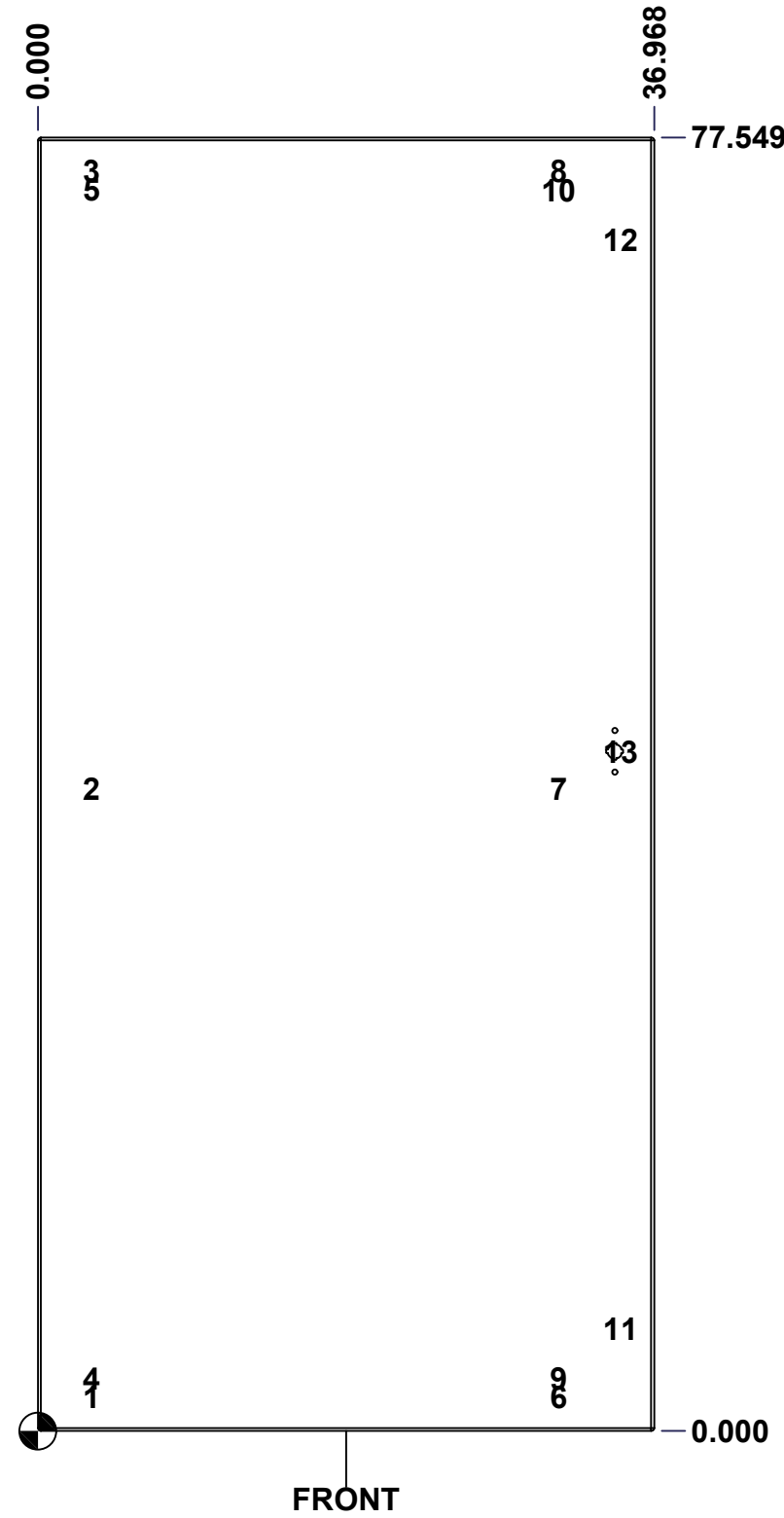
 Tél: (450) 979-4373 Fax: (450) 979-4626 www.exmweb.com		Flatness Aplatissement  Max 3.0mm Projection 
Customer Client	Date	
Drawn By Dessiné Par	BoxCad: BoxCad	Date 05-Sep-24
Material Matière	12 Ga Cold Rolled A1008 CS Type B (2.5mm)	
Color Couleur	Asa-61 Grey	Finish Fini Smooth
Description	Detail Rev.	
9500U3D 84" x 117.5" Lock Door		
Part Number Numéro Pièce	Rev.	9
9500U3D8411818LD	0	21

SEE BILL OF MATERIAL ON LAST PAGE

This drawing is confidential and must not be reproduced or used without the consent of EXM

Ce dessin est confidentiel et ne doit pas être reproduit ou utilisé sans le consentement de EXM

STANDARD FEATURES ARE NOT LISTED IN THIS HOLE TABLE			
HOLE TABLE - FRONT VIEW (CUSTOM FEATURE ONLY)			
CUT-OUT	XDIM	YDIM	DESCRIPTION
1	2.859	2.028	STUD M6 x 18mm (Inside)
2	2.859	38.533	STUD M6 x 18mm (Inside)
3	2.859	75.521	STUD M6 x 18mm (Inside)
4	2.859	3.139	STUD M6 x 18mm (Inside)
5	2.859	74.409	STUD M6 x 18mm (Inside)
6	30.890	2.028	STUD M6 x 18mm (Inside)
7	30.890	38.533	STUD M6 x 18mm (Inside)
8	30.890	75.521	STUD M6 x 18mm (Inside)
9	30.890	3.139	STUD M6 x 18mm (Inside)
10	30.890	74.409	STUD M6 x 18mm (Inside)
11	34.593	6.118	CLOSING BAR STUD (Inside)
12	34.593	71.430	CLOSING BAR STUD (Inside)
-----	-----	-----	-----
13	34.593	40.743	HANDLE 885 ESL2A-APHD @ 0.0°

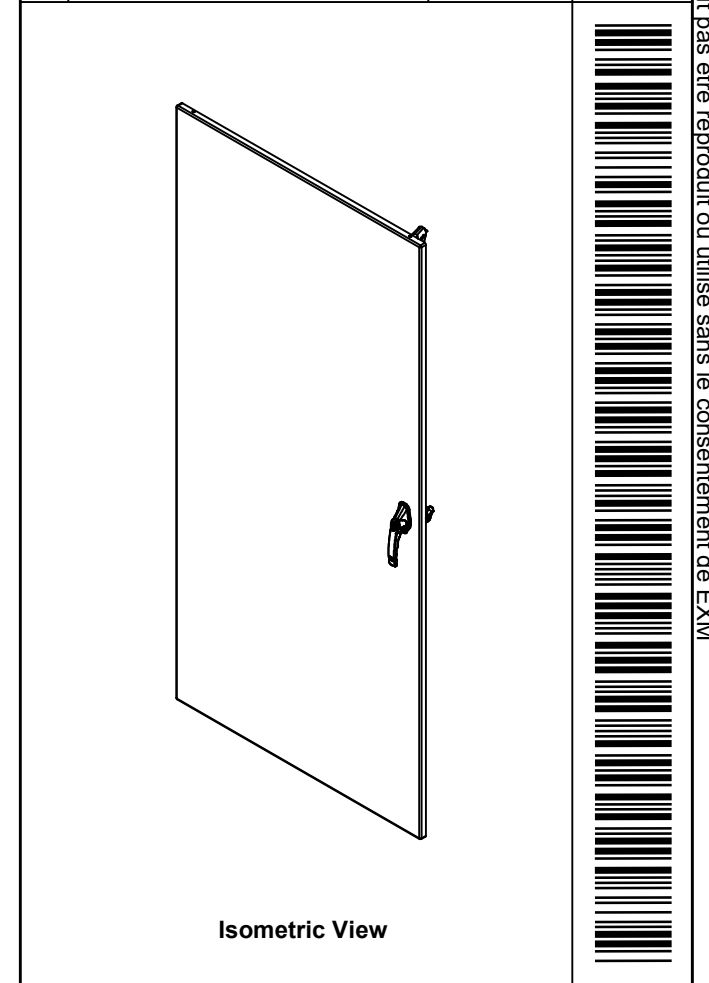


	Description	Status
	9500U3D 84" x 117.5" Lock Door	(NULL)
	Part Number Numéro Pièce	Rev.
	9500U3D8411818LD	0
		10
		21

This drawing is confidential and must not be reproduced or used without the consent of EXM

Ce dessin est confidentiel et ne doit pas être reproduit ou utilisé sans le consentement de EXM

No.	Revisions	Date	By/Par
0.1		18-Oct-24	



EXM
www.exmweb.com

Tél: (450) 979-4373
Fax: (450) 979-4626

Flatness
Aplatissement
Max 3.0mm

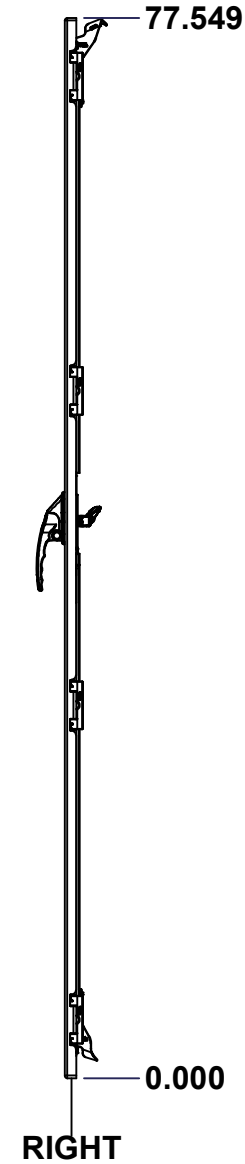
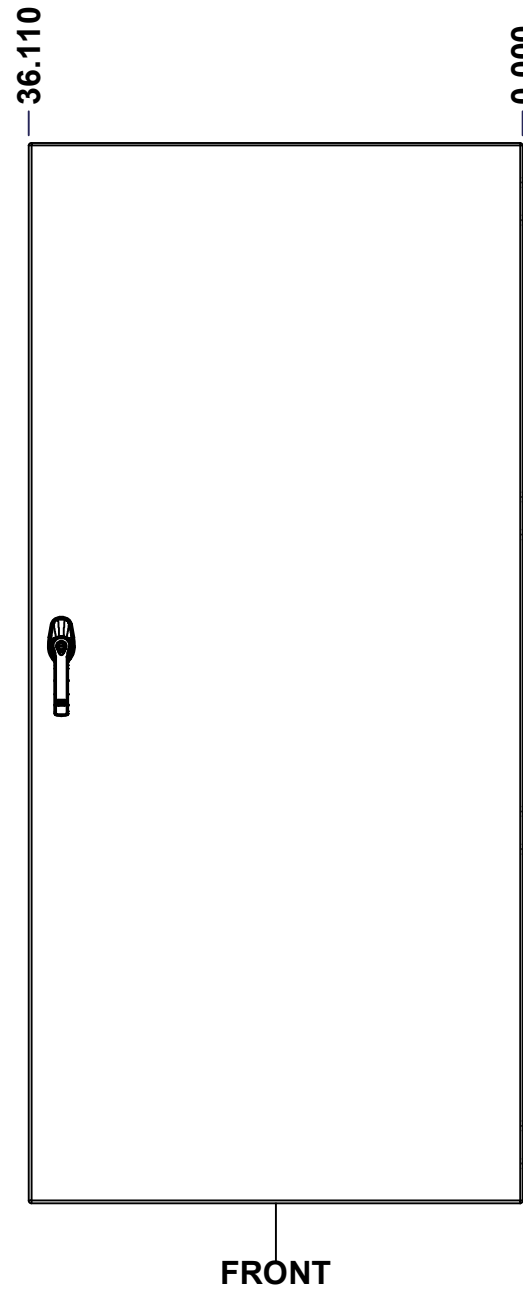
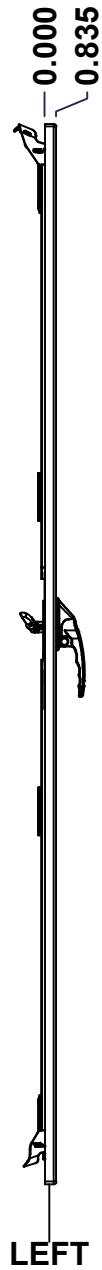
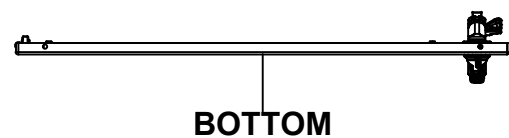
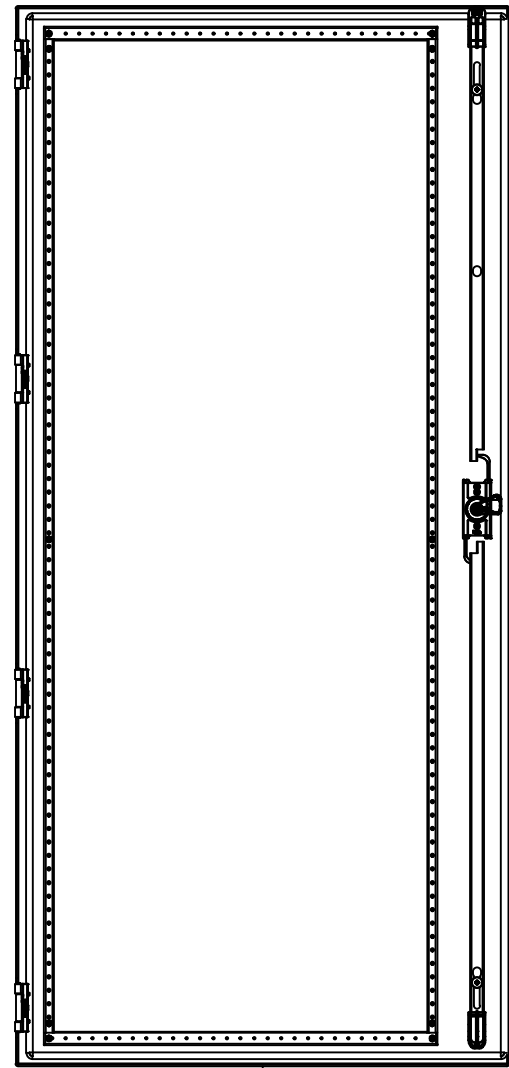
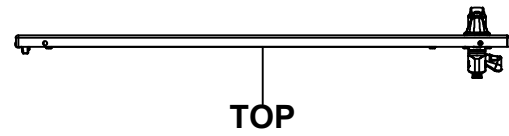
Projection

1	9500U3D8411818CB	0	9500U3D 84" Closing Bar
1	9500U3D8411818CB2ES Y	0	9500U3D 84" Disconnect Closing Bar
1	STK-A-03880-36	12	Gearbox Clockwise Assembly (Grip 36mm)
1	885ESL2A-APHD	1	885 ESL2A-APHD - Zinc Die Cast L-Handle Padlockable Assy - Slot Cylinder
1	STK-P-02400S	0	Powder Paint (Asa-61 Grey / Smooth)
1	9500U3D8411818DS1	0	9500U3D 84" x 117.5" Door Stiffener
12	STK-Q-16055	1	M6 x 18mm Stud (No Paint Cap Required)
1	9500U3D8411818LDG	0	9500U3D 84" x 117.5" Door Gasket
1	9500U3D8411818LD-P	0	9500U3D 84" x 117.5" Lock Door Part
4	STK-K-09860	7	Cabinet Hinge with Captive Pins
QTY	Part Number	Rev	Description
Parts List			

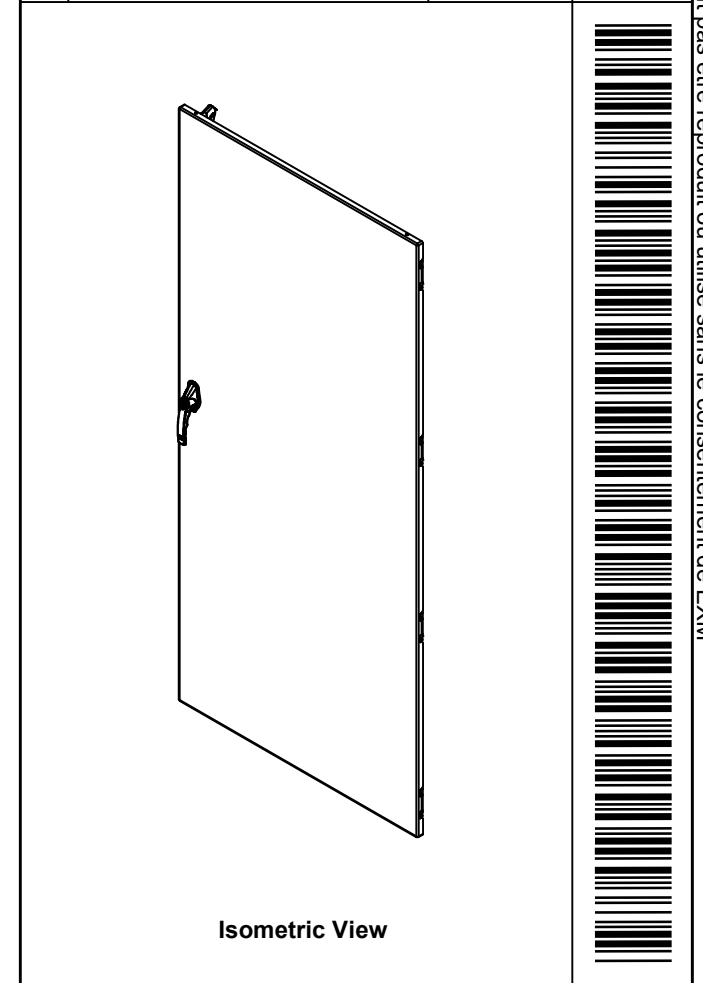
Customer Client	Date
Drawn By Dessiné Par BoxCad: BoxCad	Date 05-Sep-24
Material Matière 12 Ga Cold Rolled A1008 CS Type B (2.5mm)	
Color Couleur Asa-61 Grey	Finish Fini Smooth
Description 9500U3D 84" x 117.5" Lock Door	Detail Rev.
Part Number Numéro Pièce 9500U3D8411818LD	Rev. 11 0 21

This drawing is confidential and must not be reproduced or used without the consent of EXM

Ce dessin est confidentiel et ne doit pas être reproduit ou utilisé sans le consentement de EXM



No.	Revisions	Date	By/Par
0.1		18-Oct-24	



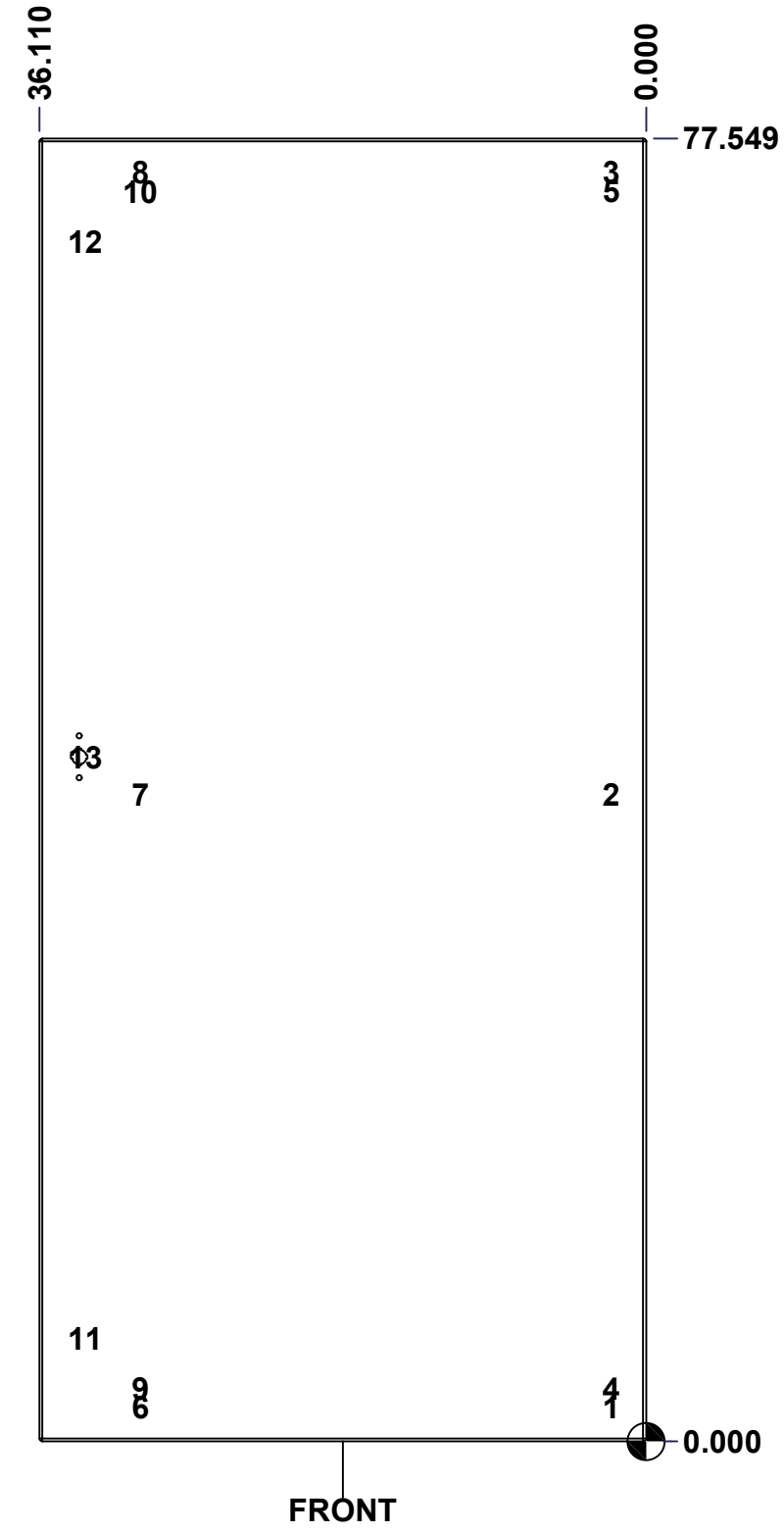
Tél: (450) 979-4373 Fax: (450) 979-4626 www.exmweb.com		Flatness Aplatissement Max 3.0mm Projection
Customer Client	Date	
Drawn By Dessiné Par	BoxCad: BoxCad	Date 05-Sep-24
Material Matière	12 Ga Cold Rolled A1008 CS Type B (2.5mm)	
Color Couleur	Asa-61 Grey	Finish Fini Smooth
Description	Detail Rev.	
9500U3D 84" x 117.5" Lock Door		
Part Number Numéro Pièce	Rev. 0	12 / 21
9500U3D8411818RD		

SEE BILL OF MATERIAL ON LAST PAGE

This drawing is confidential and must not be reproduced or used without the consent of EXM

Ce dessin est confidentiel et ne doit pas être reproduit ou utilisé sans le consentement de EXM

STANDARD FEATURES ARE NOT LISTED IN THIS HOLE TABLE			
HOLE TABLE - FRONT VIEW (CUSTOM FEATURE ONLY)			
CUT-OUT	XDIM	YDIM	DESCRIPTION
1	2.430	2.028	STUD M6 x 18mm (Inside)
2	2.430	38.533	STUD M6 x 18mm (Inside)
3	2.430	75.521	STUD M6 x 18mm (Inside)
4	2.430	3.139	STUD M6 x 18mm (Inside)
5	2.430	74.409	STUD M6 x 18mm (Inside)
6	30.461	2.028	STUD M6 x 18mm (Inside)
7	30.461	38.533	STUD M6 x 18mm (Inside)
8	30.461	75.521	STUD M6 x 18mm (Inside)
9	30.461	3.139	STUD M6 x 18mm (Inside)
10	30.461	74.409	STUD M6 x 18mm (Inside)
11	33.735	6.118	CLOSING BAR STUD (Inside)
12	33.735	71.430	CLOSING BAR STUD (Inside)
-----	-----	-----	-----
13	33.735	40.743	HANDLE 885 ESL2A-APHD @ 0.0°

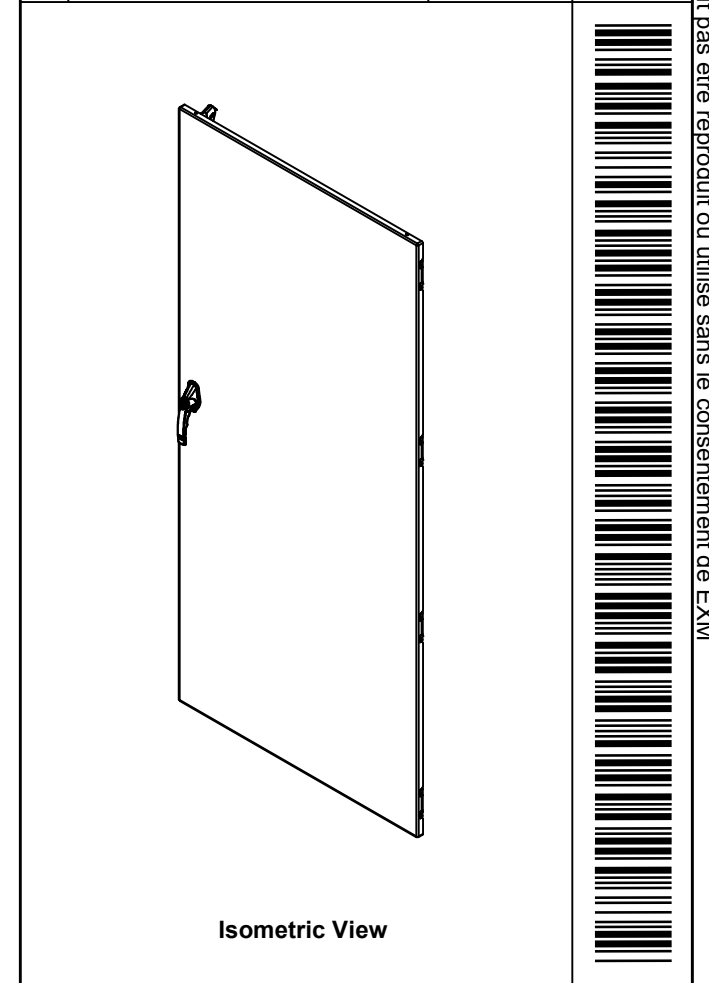


	Description	Status
	9500U3D 84" x 117.5" Lock Door	(NULL)
	Part Number	Rev.
	Numéro Pièce	13
	9500U3D8411818RD	0
		21

This drawing is confidential and must not be reproduced or used without the consent of EXM

Ce dessin est confidentiel et ne doit pas être reproduit ou utilisé sans le consentement de EXM

No.	Revisions	Date	By/Par
0.1		18-Oct-24	




 Tél: (450) 979-4373
 Fax: (450) 979-4626
www.exmweb.com

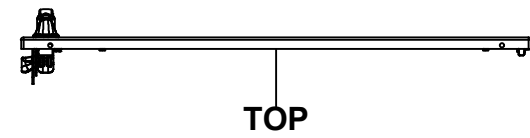
Flatness
 Aplatissement
 Max 3.0mm
Projection


1	9500U3D8411818CB	0	9500U3D 84" Closing Bar
1	9500U3D8411818CB2ES Y	0	9500U3D 84" Disconnect Closing Bar
1	STK-K-03980-36	12	Gearbox Counter Clockwise Assembly (Grip 36mm)
1	885ESL2A-APHD	1	885 ESL2A-APHD - Zinc Die Cast L-Handle Padlockable Assy - Slot Cylinder
1	STK-P-02400S	0	Powder Paint (Asa-61 Grey / Smooth)
1	9500U3D8411818DS1	0	9500U3D 84" x 117.5" Door Stiffener
12	STK-Q-16055	1	M6 x 18mm Stud (No Paint Cap Required)
1	9500U3D8411818RDG	0	9500U3D 84" x 117.5" Door Gasket
1	9500U3D8411818RD-P	0	9500U3D 84" x 117.5" Right Door Part
4	STK-K-09860	7	Cabinet Hinge with Captive Pins
QTY	Part Number	Rev	Description
Parts List			

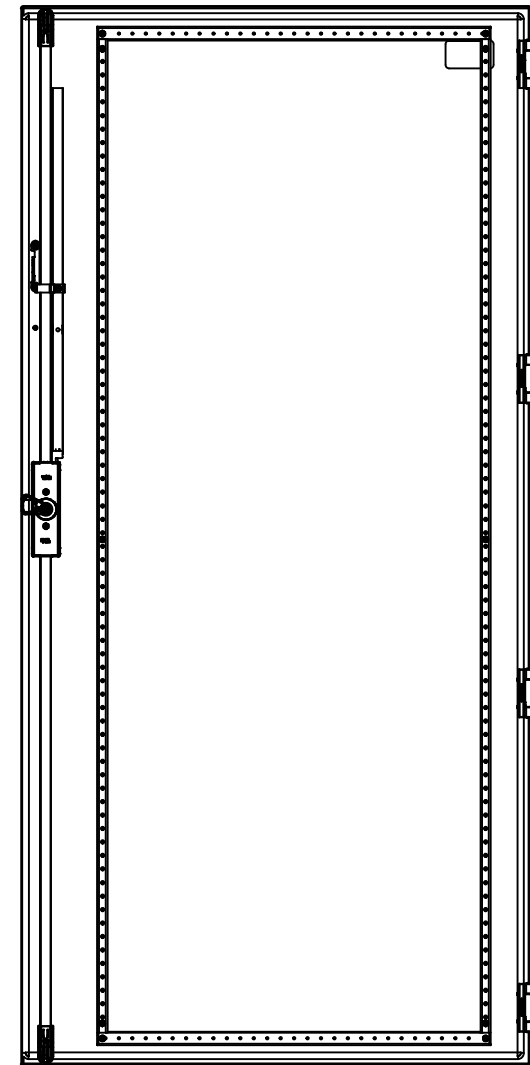
Customer Client	Date
Drawn By Dessiné Par BoxCad: BoxCad	Date 05-Sep-24
Material Matière 12 Ga Cold Rolled A1008 CS Type B (2.5mm)	
Color Couleur Asa-61 Grey	Finish Fini Smooth
Description 9500U3D 84" x 117.5" Lock Door	Detail Rev.
Part Number Numéro Pièce 9500U3D8411818RD	Rev. 14 0 21

This drawing is confidential and must not be reproduced or used without the consent of EXM

Ce dessin est confidentiel et ne doit pas être reproduit ou utilisé sans le consentement de EXM



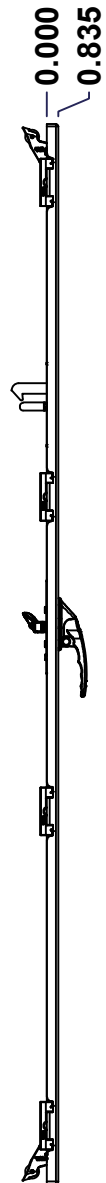
TOP



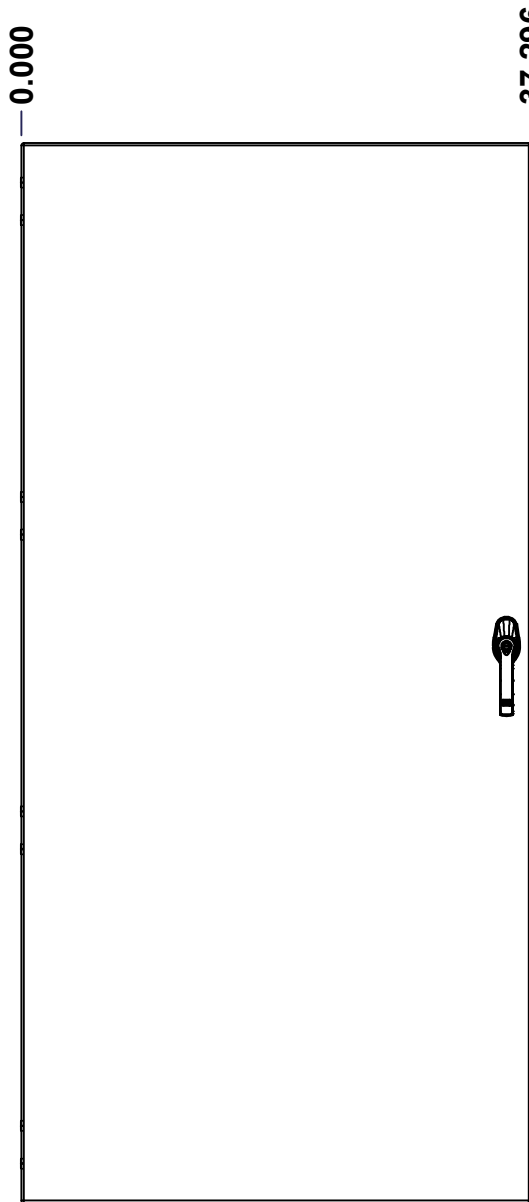
BACK



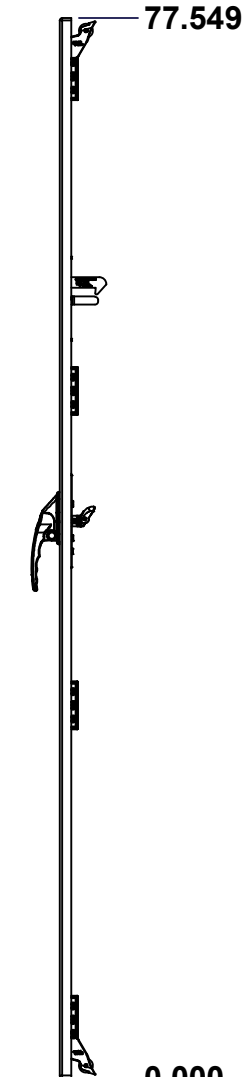
BOTTOM



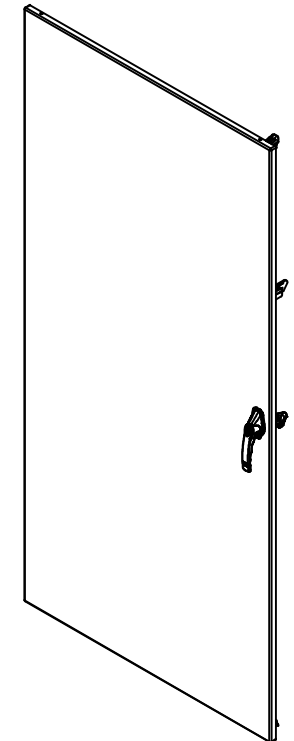
LEFT



FRONT




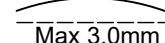
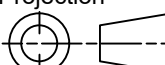
RIGHT



Isometric View



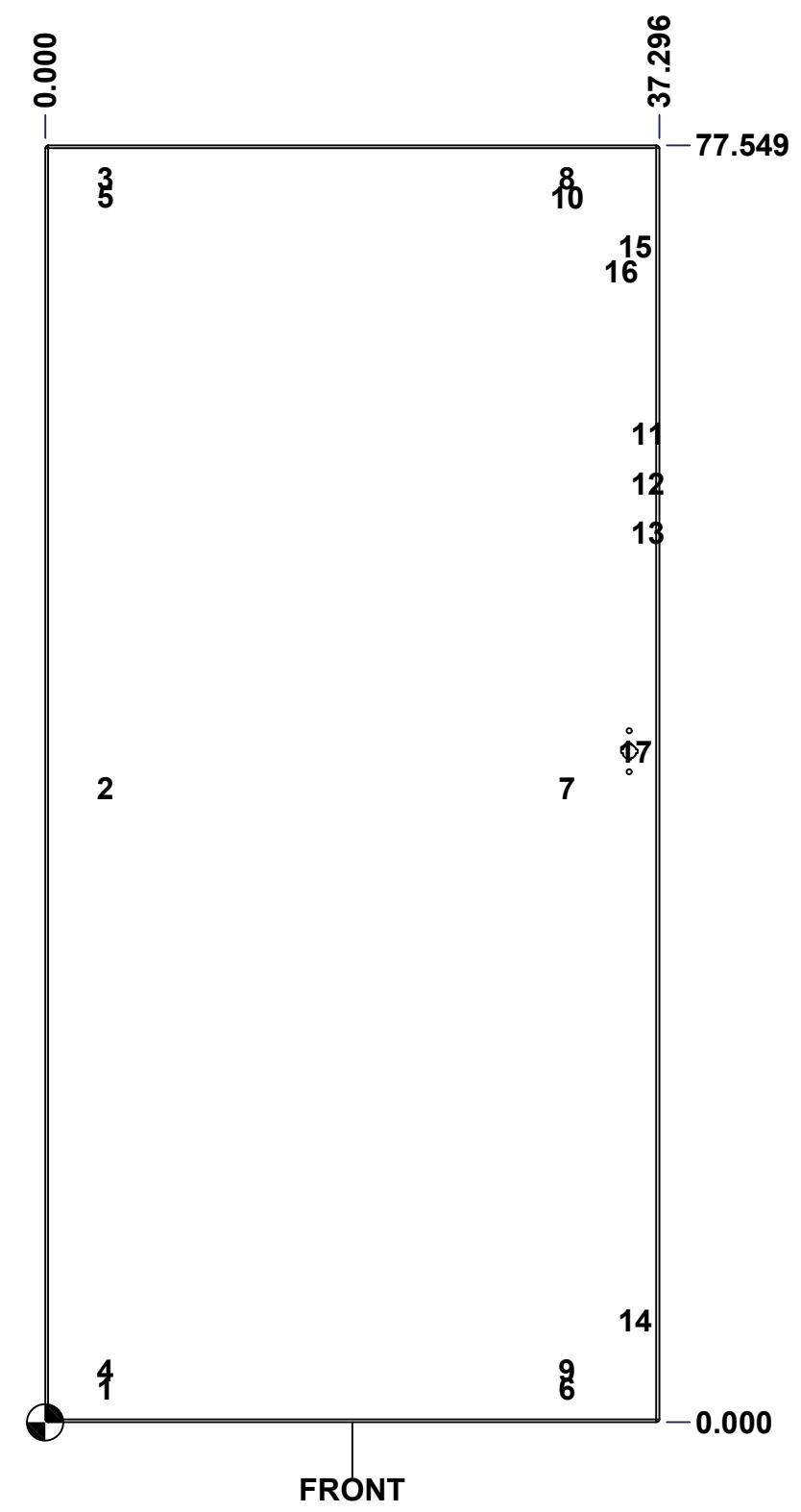
No.	Revisions	Date	By/Par
0.1		18-Oct-24	

 Tél: (450) 979-4373 Fax: (450) 979-4626 www.exmweb.com		Flatness Aplatissement  Max 3.0mm Projection 
Customer Client	Date	
Drawn By Dessiné Par	BoxCad: BoxCad	Date 05-Sep-24
Material Matière	12 Ga Cold Rolled A1008 CS Type B (2.5mm)	
Color Couleur	Asa-61 Grey	Finish Fini Smooth
Description	Detail Rev.	
9500U3D 84" x 117.5" Flange Door		
Part Number Numéro Pièce	Rev. 0	15 / 21
SEE BILL OF MATERIAL ON LAST PAGE 9500U3D8411818FD		

This drawing is confidential and must not be reproduced or used without the consent of EXM

Ce dessin est confidentiel et ne doit pas être reproduit ou utilisé sans le consentement de EXM

STANDARD FEATURES ARE NOT LISTED IN THIS HOLE TABLE			
HOLE TABLE - FRONT VIEW (CUSTOM FEATURE ONLY)			
CUT-OUT	XDIM	YDIM	DESCRIPTION
1	3.324	2.028	STUD M6 x 18mm (Inside)
2	3.324	38.533	STUD M6 x 18mm (Inside)
3	3.324	75.521	STUD M6 x 18mm (Inside)
4	3.324	3.139	STUD M6 x 18mm (Inside)
5	3.324	74.409	STUD M6 x 18mm (Inside)
6	31.355	2.028	STUD M6 x 18mm (Inside)
7	31.355	38.533	STUD M6 x 18mm (Inside)
8	31.355	75.521	STUD M6 x 18mm (Inside)
9	31.355	3.139	STUD M6 x 18mm (Inside)
10	31.355	74.409	STUD M6 x 18mm (Inside)
11	36.251	60.011	STUD M6 x 18mm (Inside)
12	36.251	57.011	STUD M6 x 18mm (Inside)
13	36.251	54.011	STUD M6 x 18mm (Inside)
14	35.474	6.179	LARGE CBAR GUIDE (Inside)
15	35.474	71.370	LARGE CBAR GUIDE (Inside)
16	34.618	69.870	LARGE CBAR GUIDE (Inside)
-----	-----	-----	-----
17	35.484	40.743	HANDLE 885 ESL2A-APHD @ 0.0°

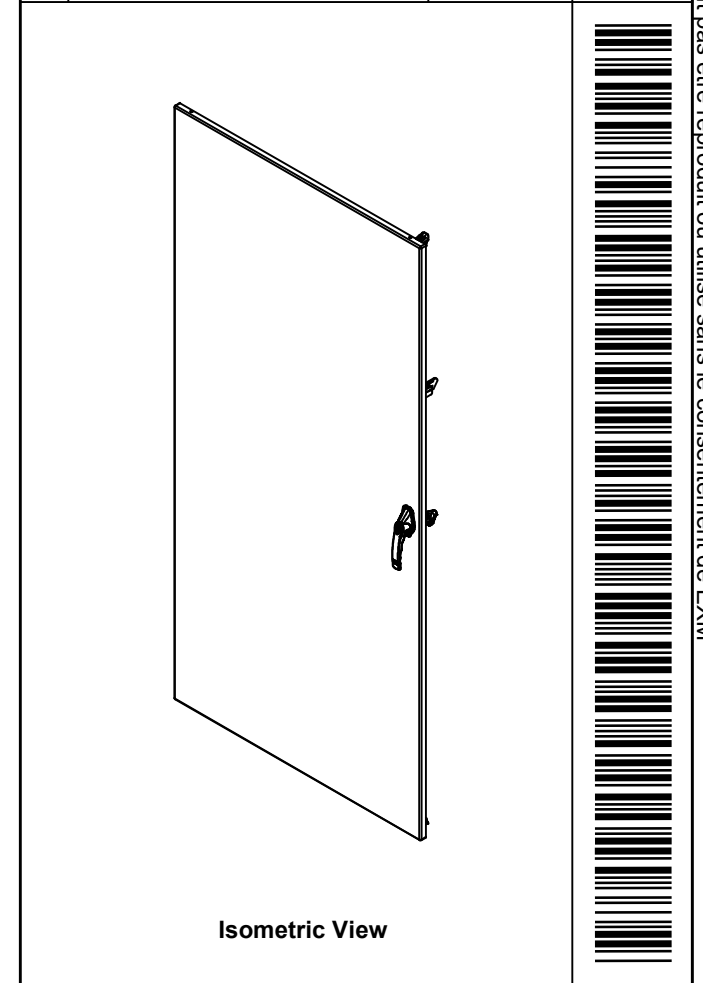


	Description	Status
	9500U3D 84" x 117.5" Flange Door	(NULL)
	Part Number	Rev.
	Numéro Pièce	16
	9500U3D8411818FD	0
		21

This drawing is confidential and must not be reproduced or used without the consent of EXM

Ce dessin est confidentiel et ne doit pas être reproduit ou utilisé sans le consentement de EXM

No.	Revisions	Date	By/Par
0.1		18-Oct-24	



Isometric View


 Tél: (450) 979-4373
 Fax: (450) 979-4626
www.exmweb.com

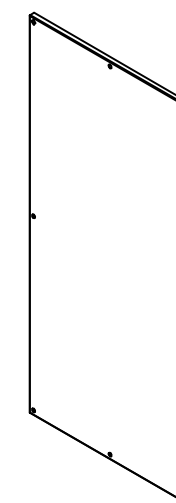
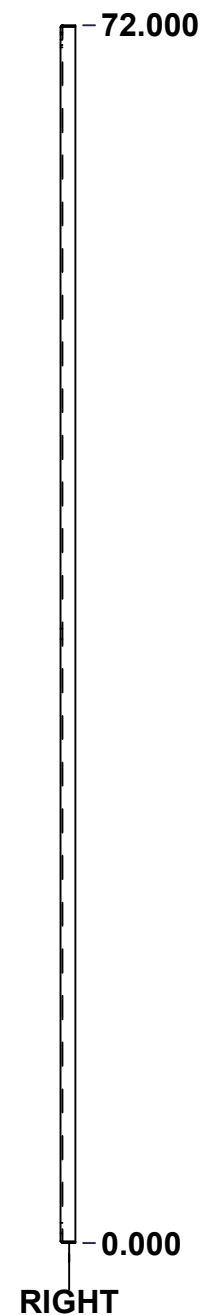
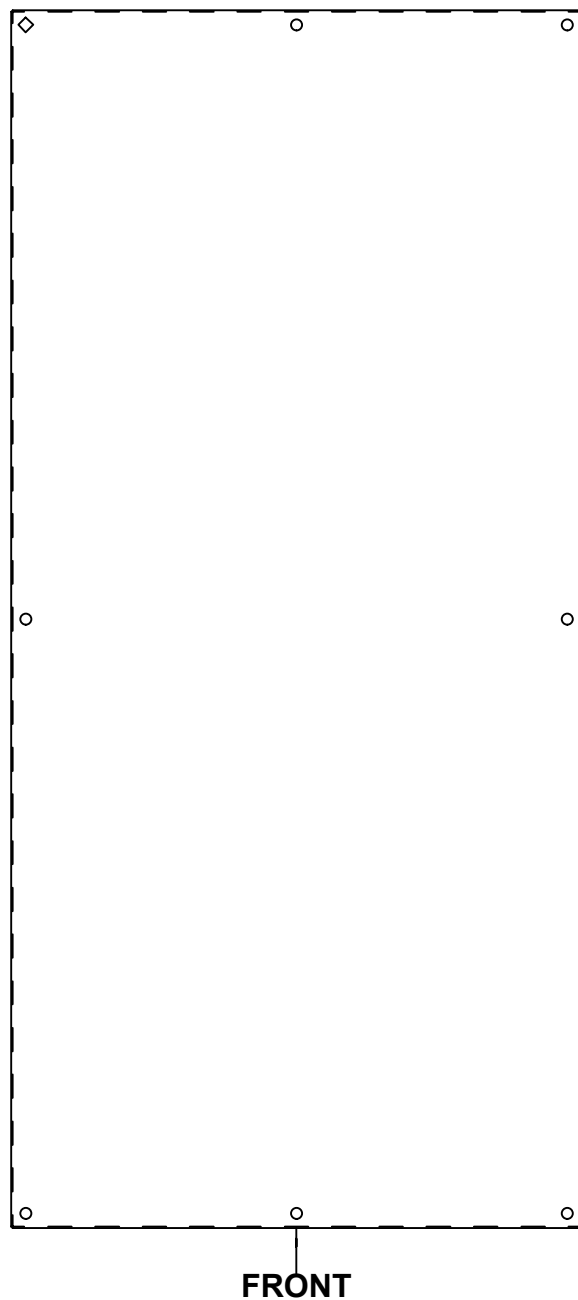
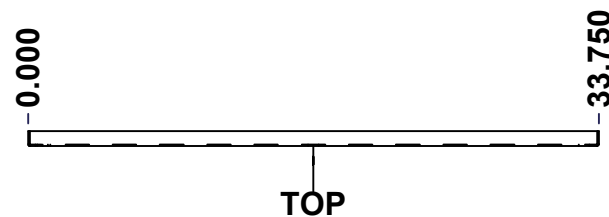
Flatness / Aplatissement: Max 3.0mm
 Projection: 

QTY	Part Number	Rev	Description
1	STK-K-09584	0	9500 UxD 84" Locking Mechanism Kit
1	885ESL2A-APHD	1	885 ESL2A-APHD - Zinc Die Cast L-Handle Padlockable Assy - Slot Cylinder
1	STK-P-02400S	0	Powder Paint (Asa-61 Grey / Smooth)
1	STK-S-00100	0	3.5" x 2" Silver Milar Flexcon Sticker
1	9500U3D8411818DS1	0	9500U3D 84" x 117.5" Door Stiffener
3	STK-Q-16410	0	Guide Stud - Largel (No Paint Cap Required)
13	STK-Q-16055	1	M6 x 18mm Stud (No Paint Cap Required)
1	9500U3D8411818FDG	0	9500U3D 84" x 117.5" Lock Door Gasket
1	9500U3D8411818FD-P	0	9500U3D 84" x 117.5" Flange Door Part
4	STK-K-09860	7	Cabinet Hinge with Captive Pins
Parts List			

Customer / Client	Date
Drawn By / Dessiné Par: BoxCad: BoxCad	Date: 05-Sep-24
Material / Matière: 12 Ga Cold Rolled A1008 CS Type B (2.5mm)	
Color / Couleur: Asa-61 Grey	Finish / Fini: Smooth
Description: 9500U3D 84" x 117.5" Flange Door	Detail Rev.
Part Number / Numéro Pièce: 9500U3D8411818FD	Rev. 0 / 17

This drawing is confidential and must not be reproduced or used without the consent of EXM


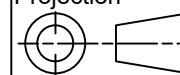
Ce dessin est confidentiel et ne doit pas être reproduit ou utilisé sans le consentement de EXM



Isometric View



No.	Revisions	Date	By/Par
0.1		18-Oct-24	

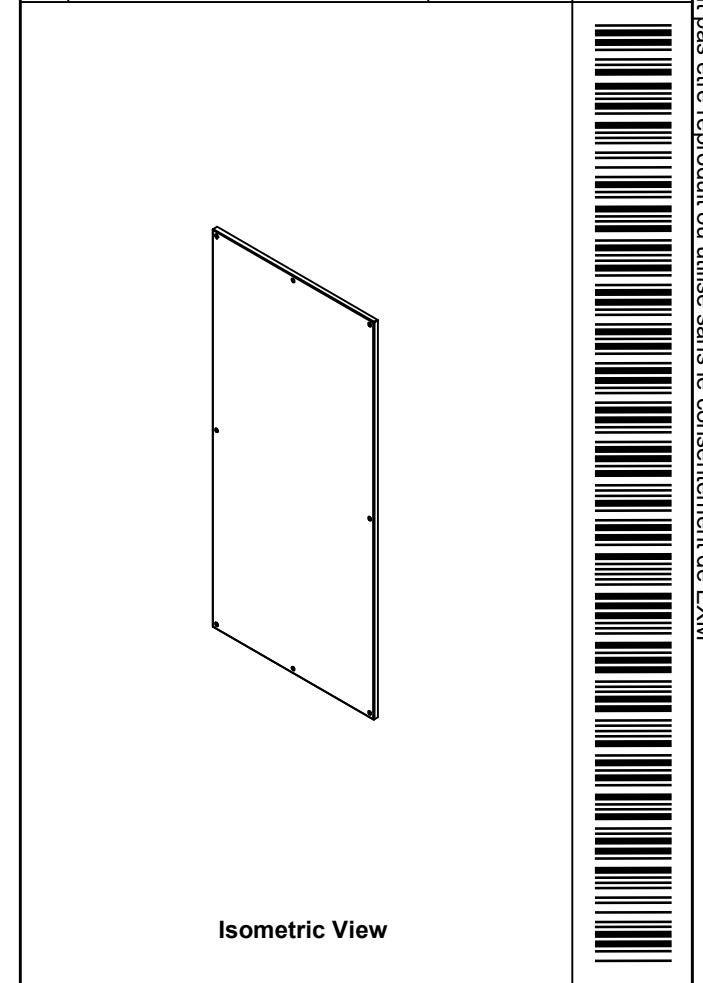
 Tél: (450) 979-4373 Fax: (450) 979-4626 www.exmweb.com		Flatness Aplatissement Max 3.0mm
Customer Client		Projection 
Drawn By / Dessiné Par: BoxCad: BoxCad		Date: 05-Sep-24
Material / Matière: 12 Ga Galvanized (2.5mm)		
Color / Couleur: Unpainted	Finish / Fini: Unpainted	
Description: 9500U3D 84" x 117.5" Inner Panel		Detail Rev.
Part Number / Numéro Pièce: 9500U3D8411818I2		Rev. 18 0 / 21

SEE BILL OF MATERIAL ON LAST PAGE


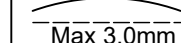
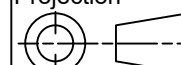
This drawing is confidential and must not be reproduced or used without the consent of EXM

Ce dessin est confidentiel et ne doit pas être reproduit ou utilisé sans le consentement de EXM

No.	Revisions	Date	By/Par
0.1		18-Oct-24	



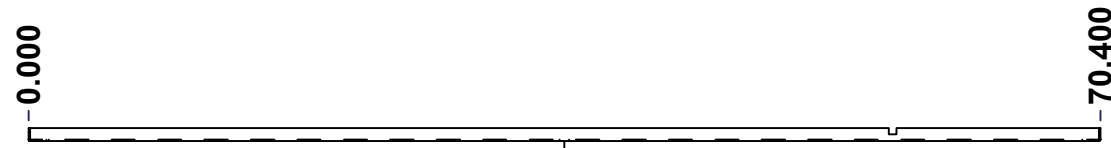
Isometric View

 Tél: (450) 979-4373 Fax: (450) 979-4626 www.exmweb.com		Flatness Aplatissement  Max 3.0mm
Customer Client		Projection 
Drawn By / Dessiné Par: BoxCad: BoxCad		Date: 05-Sep-24
Material / Matière: 12 Ga Galvanized (2.5mm)		
Color / Couleur: Unpainted	Finish / Fini: Unpainted	
Description: 9500U3D 84" x 117.5" Inner Panel		Detail Rev.
Part Number / Numéro Pièce: 9500U3D8411818I2	Rev.: 0	19 / 21

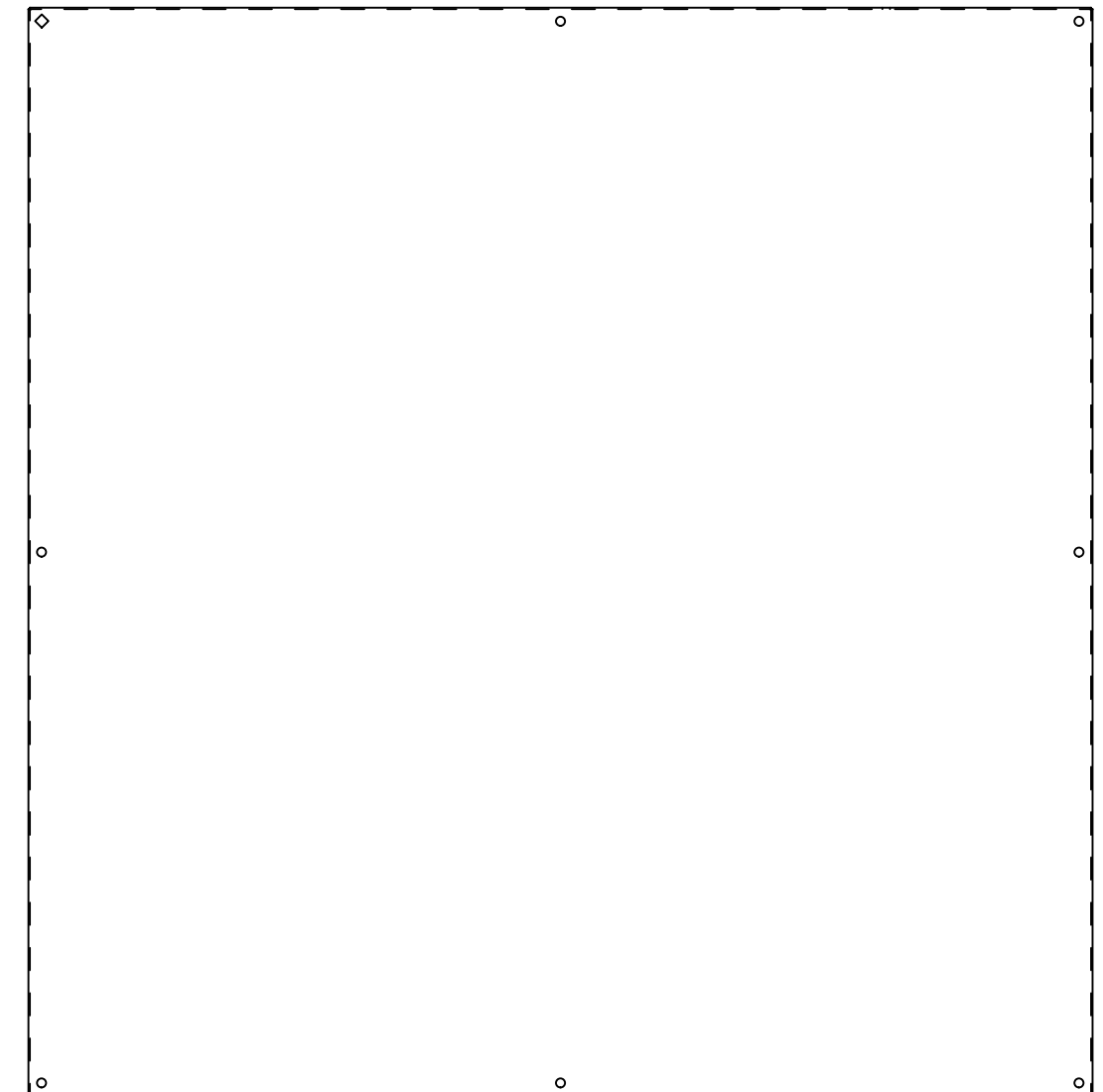
Qty	Part Number	Rev	Description
1	9500U3D8411818IP-2	0	9500U3D 84" x 117.5" Inner Panel Part
Parts List			

This drawing is confidential and must not be reproduced or used without the consent of EXM

Ce dessin est confidentiel et ne doit pas être reproduit ou utilisé sans le consentement de EXM



TOP



FRONT

72.000

0.000

RIGHT

No.	Revisions	Date	By/Par
0.1		18-Oct-24	

Isometric View

Tél: (450) 979-4373 Fax: (450) 979-4626 www.exmweb.com		Flatness Aplatissement	
		Max 3.0mm	
Customer Client		Date	
Drawn By Dessiné Par		Date	
Material Matière		Date	
Color Couleur		Finish Fini	
Description		Detail Rev.	
Part Number Numéro Pièce		Rev.	

BoxCad: BoxCad Date 05-Sep-24

12 Ga Galvanized (2.5mm)

Unpainted Unpainted

9500U3D 84" x 117.5" Inner Panel

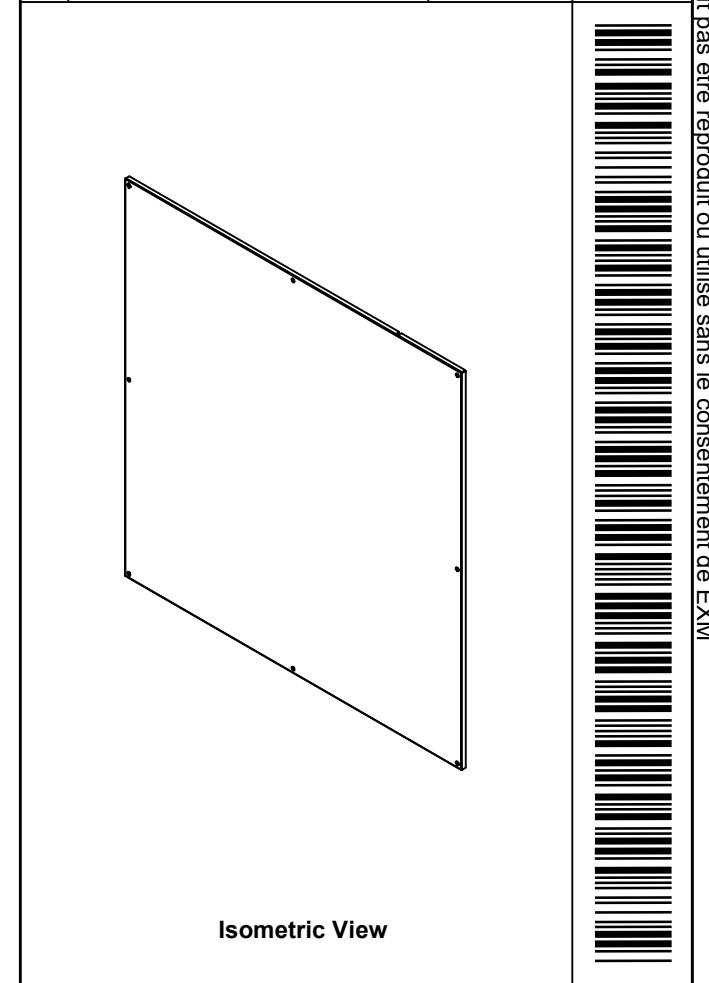
9500U3D8411818IP Rev. **0** 20/21


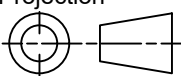
SEE BILL OF MATERIAL ON LAST PAGE

This drawing is confidential and must not be reproduced or used without the consent of EXM

Ce dessin est confidentiel et ne doit pas être reproduit ou utilisé sans le consentement de EXM

No.	Revisions	Date	By/Par
0.1		18-Oct-24	



 Tél: (450) 979-4373 Fax: (450) 979-4626 www.exmweb.com		Flatness Aplatissement Max 3.0mm
Customer Client		Projection 
Drawn By / Dessiné Par: BoxCad: BoxCad		Date: 05-Sep-24
Material / Matière: 12 Ga Galvanized (2.5mm)		
Color / Couleur: Unpainted	Finish / Fini: Unpainted	
Description: 9500U3D 84" x 117.5" Inner Panel		Detail Rev.
Part Number / Numéro Pièce: 9500U3D8411818IP		Rev. 0 / 21

Qty	Part Number	Rev	Description
1	9500U3D8411818IP-P	0	9500U3D 84" x 117.5" Inner Panel Part
Parts List			