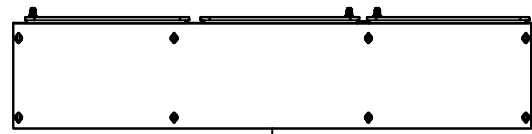
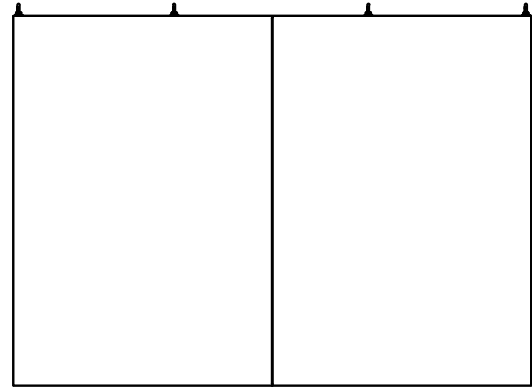


This drawing is confidential and must not be reproduced or used without the consent of EXM

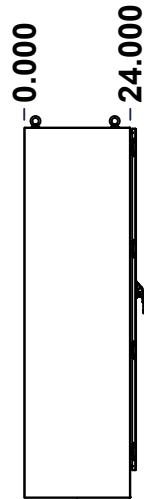
Ce dessin est confidentiel et ne doit pas être reproduit ou utilisé sans le consentement de EXM



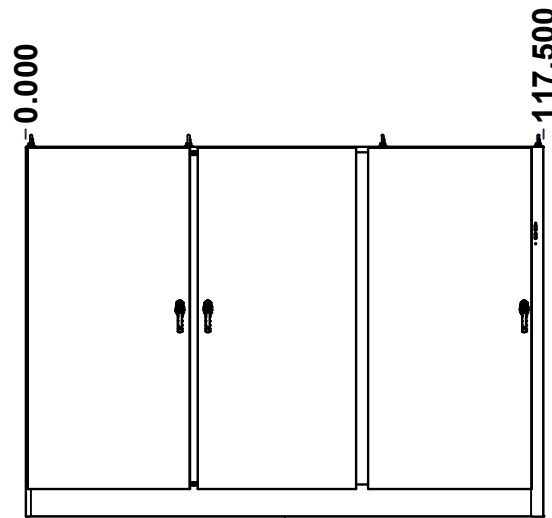
TOP



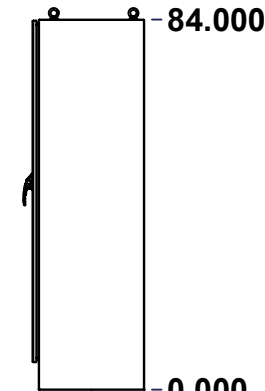
BACK



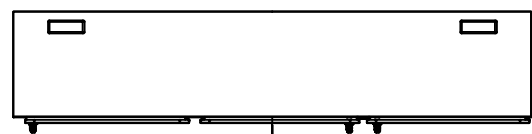
LEFT



FRONT

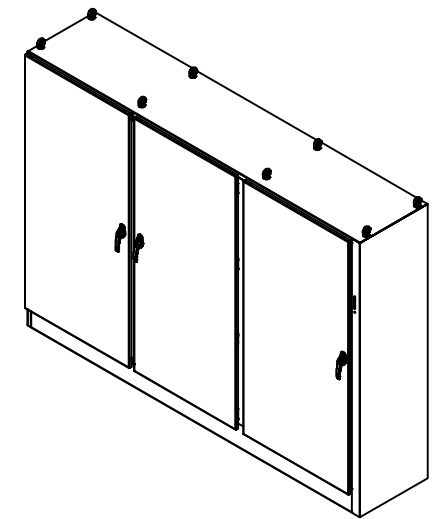


RIGHT



BOTTOM

No.	Revisions	Date	By/Par
0.1	Reduce the disconnect door width	18-Oct-24	Boxcad



Isometric View

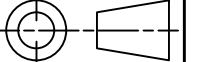


Tél: (450) 979-4373
 Fax: (450) 979-4626
www.exmweb.com

Flatness
Aplatissement

Max 3.0mm

Projection



Customer Client	Date
Drawn By Dessiné Par BoxCad: BoxCad	Date 18-Aug-24
Material Matière 12 Ga Cold Rolled A1008 CS Type B (2.5mm)	
Color Couleur Asa-61 Grey	Finish Fini Smooth
Description 9500U3D 84" x 117.5" x 24" Assembly	Detail Rev.
Part Number Numéro Pièce 9500U3D8411824	Rev. 0

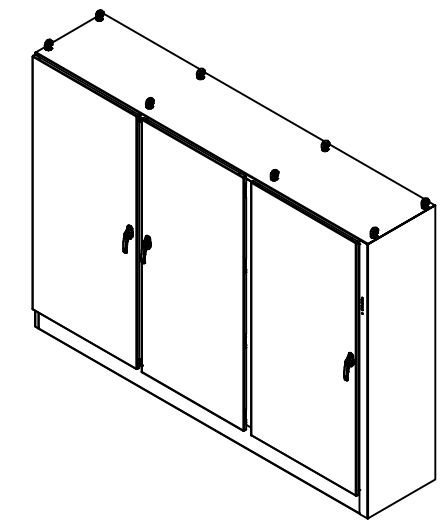
SEE BILL OF MATERIAL ON LAST PAGE

This drawing is confidential and must not be reproduced or used without the consent of EXM

Ce dessin est confidentiel et ne doit pas être reproduit ou utilisé sans le consentement de EXM

NOTE	
ITEM	DESCRIPTION
1	NEMA 12, 13 Enclosure (IP55)
2	C/W Standard ground studs on box and cover
3	C/W Standard door stiffener
4	C/W Special inner panel (Sold separately)
5	C/W Standard inner panel mounting studs
6	C/W Eyebolts sold separately (Installed by EXM)
7	C/W Struts installed (Included)


No.	Revisions	Date	By/Par
0.1	Reduce the disconnect door width	18-Oct-24	Boxcad



Isometric View

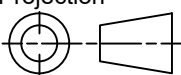
PACKING		
ITEM	QTY	DESCRIPTION
Cardboard sleeve	2	Top and Bottom
Cardboard strip	2	Between back of enclosure and inner panel
Plastic bag	1	To protect cover surface and inside gasket
Cardboard corner	4	To reinforced for the plastic strap tightening
Plastic strap - Black	2	To Squeeze 2 cardboard sleeve together
Packaging label	3	White label with PN
Plastic strap- Green	2	To secure the enclosure to the wood pallet
Wood Pallet	1	2" deeper and 3" larger than enclosure size

1	STK-A-880INTM	0	9500U3D Multi Door Interlock
16	STK-Q-07320	0	Flange Lock Nut M10
1	9500U3D8411824I2	0	9500U3D 84" x 117.5" Inner Panel
1	9500U3D8411824IP	0	9500U3D 84" x 117.5" Inner Panel
16	STK-Q-07620	0	M10 Plastic Spacer 0.875"
1	9500U3D8411824FD	0	9500U3D 84" x 117.5" Flange Door
1	9500U3D8411824RD	0	9500U3D 84" x 117.5" Lock Door
1	9500U3D8411824LD	0	9500U3D 84" x 117.5" Lock Door
1	9500U3D8411824B	0	9500U3D 84" x 117.5" x 24" Body
4	880EB14	2	Eye Bolt M14 (Pack of 2)
2	9500U3D8411824GP	0	9500U3D Gland Plate
12	STK-Q-04050-10	8	M6 x 10mm Hexagon Socket Head Machine Screw with Nyseal
2	STK-Q-07220	1	M6 Nylon Insert Lock Nut
Qty	Part Number	Rev	Description
Parts List			



Tél: (450) 979-4373
Fax: (450) 979-4626
www.exmweb.com

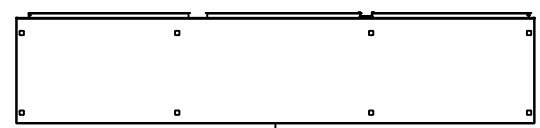
Flatness
Aplatissement
Max 3.0mm

Projection


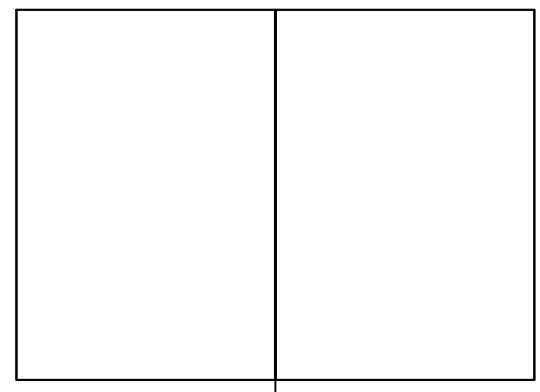
Customer Client	Date
Drawn By Dessiné Par BoxCad: BoxCad	Date 18-Aug-24
Material Matière 12 Ga Cold Rolled A1008 CS Type B (2.5mm)	
Color Couleur Asa-61 Grey	Finish Fini Smooth
Description 9500U3D 84" x 117.5" x 24" Assembly	Detail Rev.
Part Number Numéro Pièce 9500U3D8411824	Rev. 0

This drawing is confidential and must not be reproduced or used without the consent of EXM

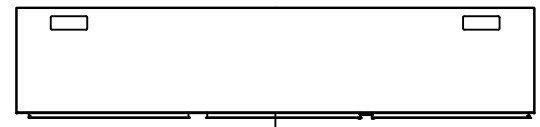
Ce dessin est confidentiel et ne doit pas être reproduit ou utilisé sans le consentement de EXM



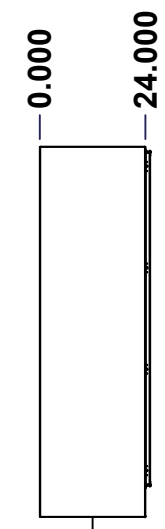
TOP



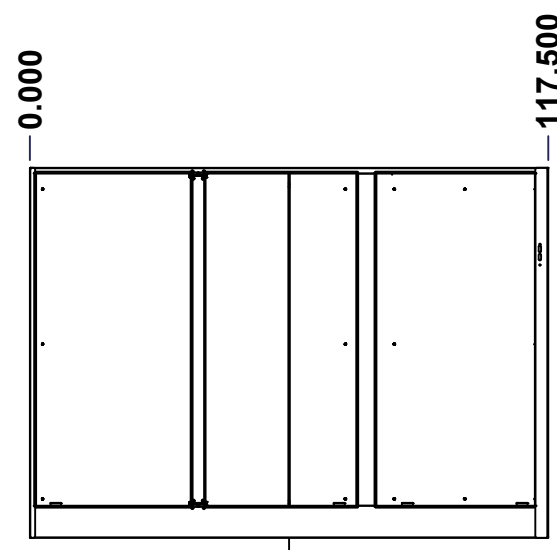
BACK



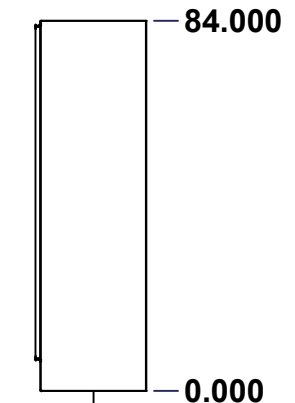
BOTTOM



LEFT

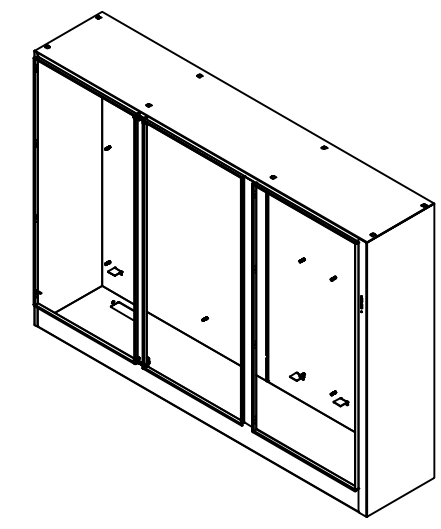


FRONT




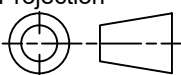
RIGHT

No.	Revisions	Date	By/Par
0.1	Reduce the disconnect door width	18-Oct-24	Boxcad



Isometric View



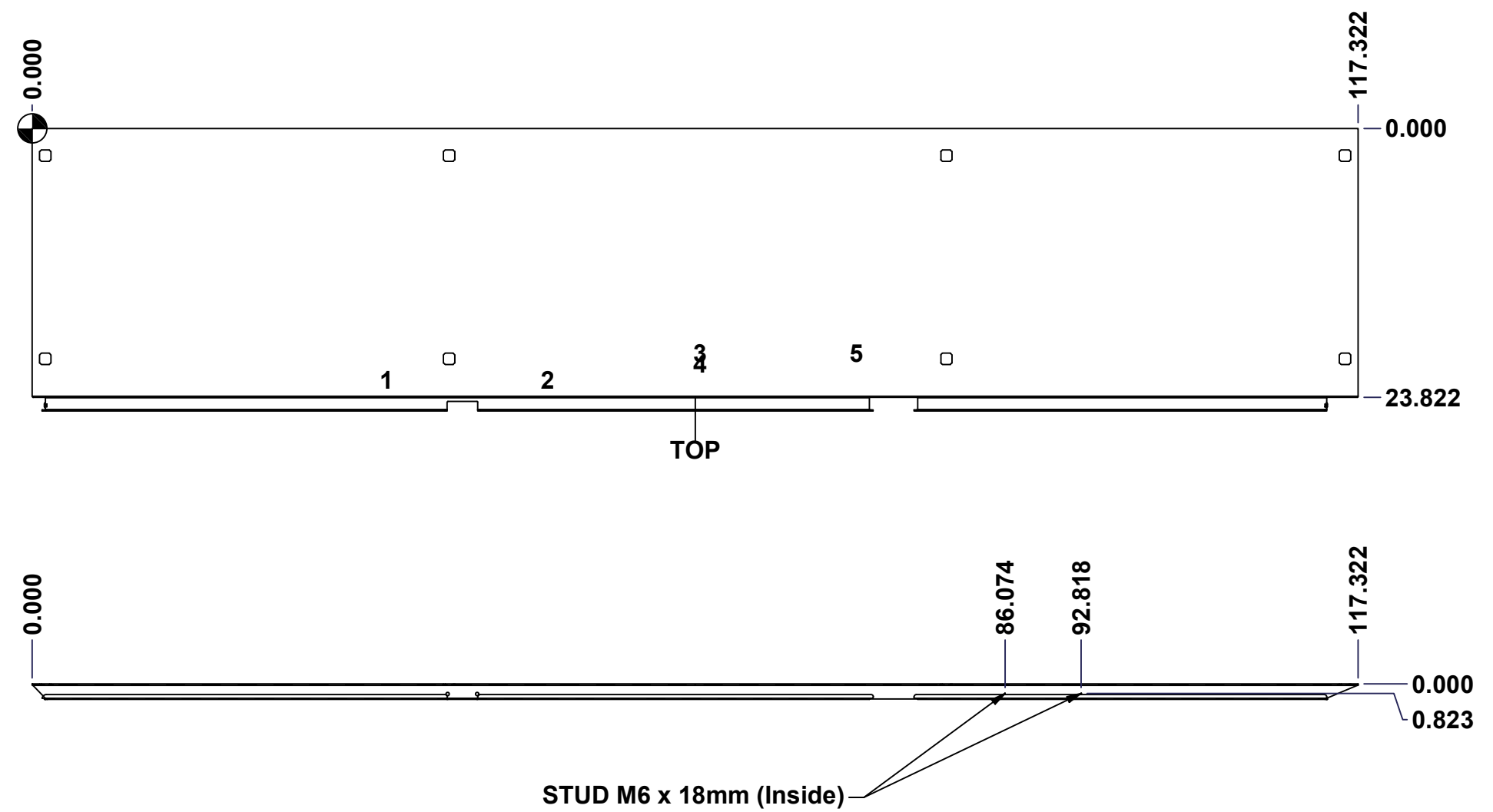
 Tél: (450) 979-4373 Fax: (450) 979-4626 www.exmweb.com		Flatness Aplatissement Max 3.0mm Projection 
Customer Client	Date	
Drawn By Dessiné Par	BoxCad: BoxCad	Date 18-Aug-24
Material Matière	12 Ga Cold Rolled A1008 CS Type B (2.5mm)	
Color Couleur	Asa-61 Grey	Finish Fini Smooth
Description	Detail Rev.	
9500U3D 84" x 117.5" x 24" Body		
Part Number Numéro Pièce	Rev.	3
9500U3D8411824B	0	21

SEE BILL OF MATERIAL ON LAST PAGE

This drawing is confidential and must not be reproduced or used without the consent of EXM

Ce dessin est confidentiel et ne doit pas être reproduit ou utilisé sans le consentement de EXM

STANDARD FEATURES ARE NOT LISTED IN THIS HOLE TABLE			
HOLE TABLE - TOP VIEW (CUSTOM FEATURE ONLY)			
CUT-OUT	XDIM	YDIM	DESCRIPTION
1	30.942	22.260	INTERLOCK STUD M6 X 18mm (Inside)
2	45.192	22.260	INTERLOCK STUD M6 X 18mm (Inside)
3	58.661	19.911	Struts CR400 27.500" (Inside)
4	58.661	20.840	STUDS M6 x 10mm (Inside)
5	72.527	19.911	STUDS M6 x 10mm (Inside)

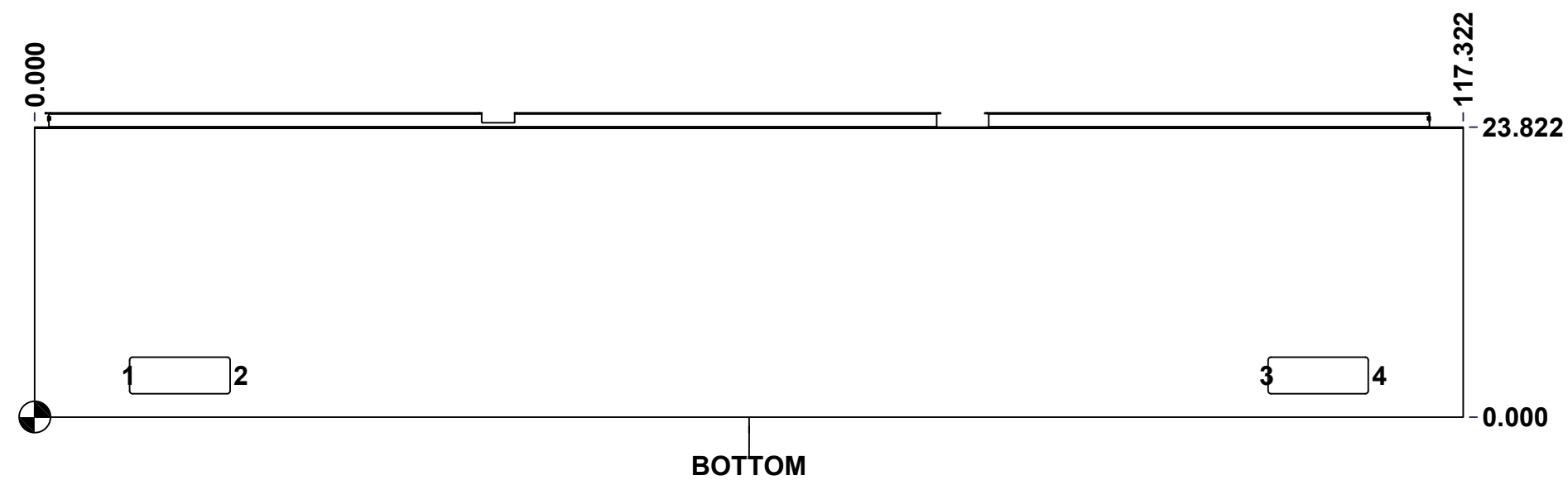


	Description	Status
	9500U3D 84" x 117.5" x 24" Body	(NULL)
Part Number Numéro Pièce 9500U3D8411824B	Rev.	4
	0	21

This drawing is confidential and must not be reproduced or used without the consent of EXM

Ce dessin est confidentiel et ne doit pas être reproduit ou utilisé sans le consentement de EXM

STANDARD FEATURES ARE NOT LISTED IN THIS HOLE TABLE			
HOLE TABLE - BOTTOM VIEW (CUSTOM FEATURE ONLY)			
CUT-OUT	XDIM	YDIM	DESCRIPTION
1	7.286	3.411	GP STUD M6 x 16mm (Inside)
2	16.536	3.411	GP STUD M6 x 16mm (Inside)
3	100.786	3.411	GP STUD M6 x 16mm (Inside)
4	110.036	3.411	GP STUD M6 x 16mm (Inside)

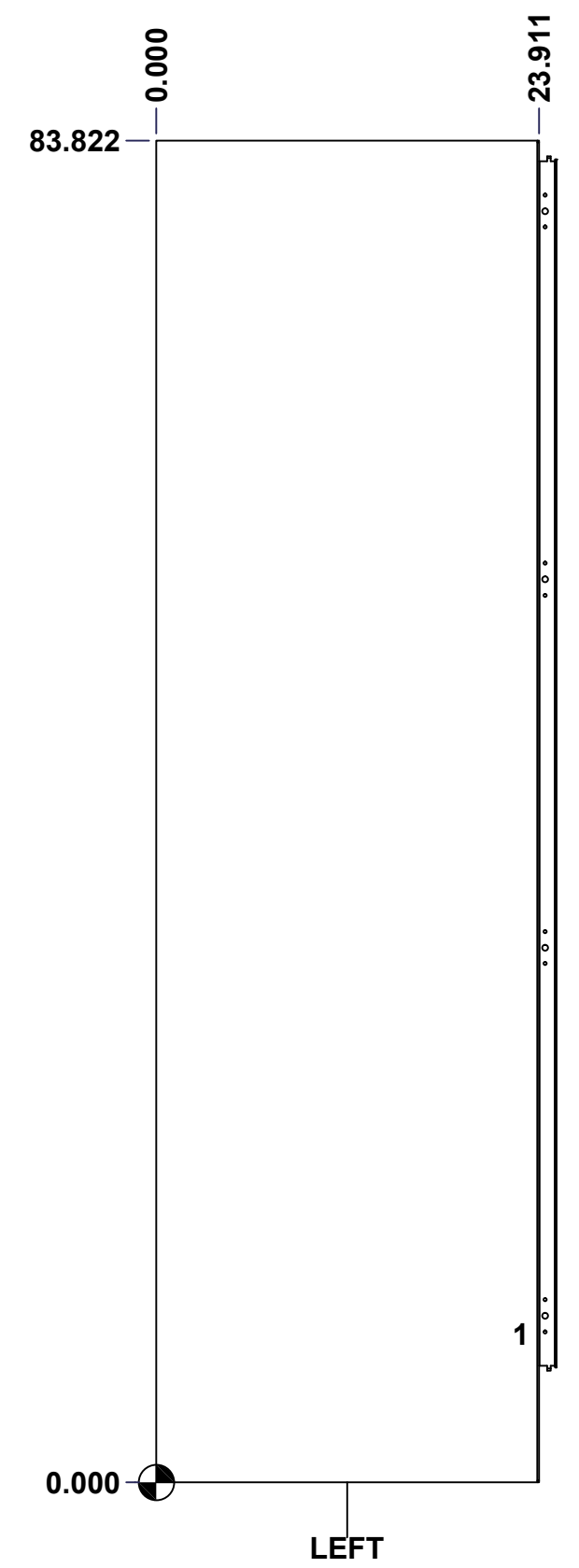


	Description	Status
	9500U3D 84" x 117.5" x 24" Body	(NULL)
Part Number Numéro Pièce	9500U3D8411824B	Rev.
		5
		21

This drawing is confidential and must not be reproduced or used without the consent of EXM

Ce dessin est confidentiel et ne doit pas être reproduit ou utilisé sans le consentement de EXM

STANDARD FEATURES ARE NOT LISTED IN THIS HOLE TABLE			
HOLE TABLE - LEFT VIEW (CUSTOM FEATURE ONLY)			
CUT-OUT	XDIM	YDIM	DESCRIPTION
1	22.411	9.286	GND STUD M6 x 16mm (Inside)



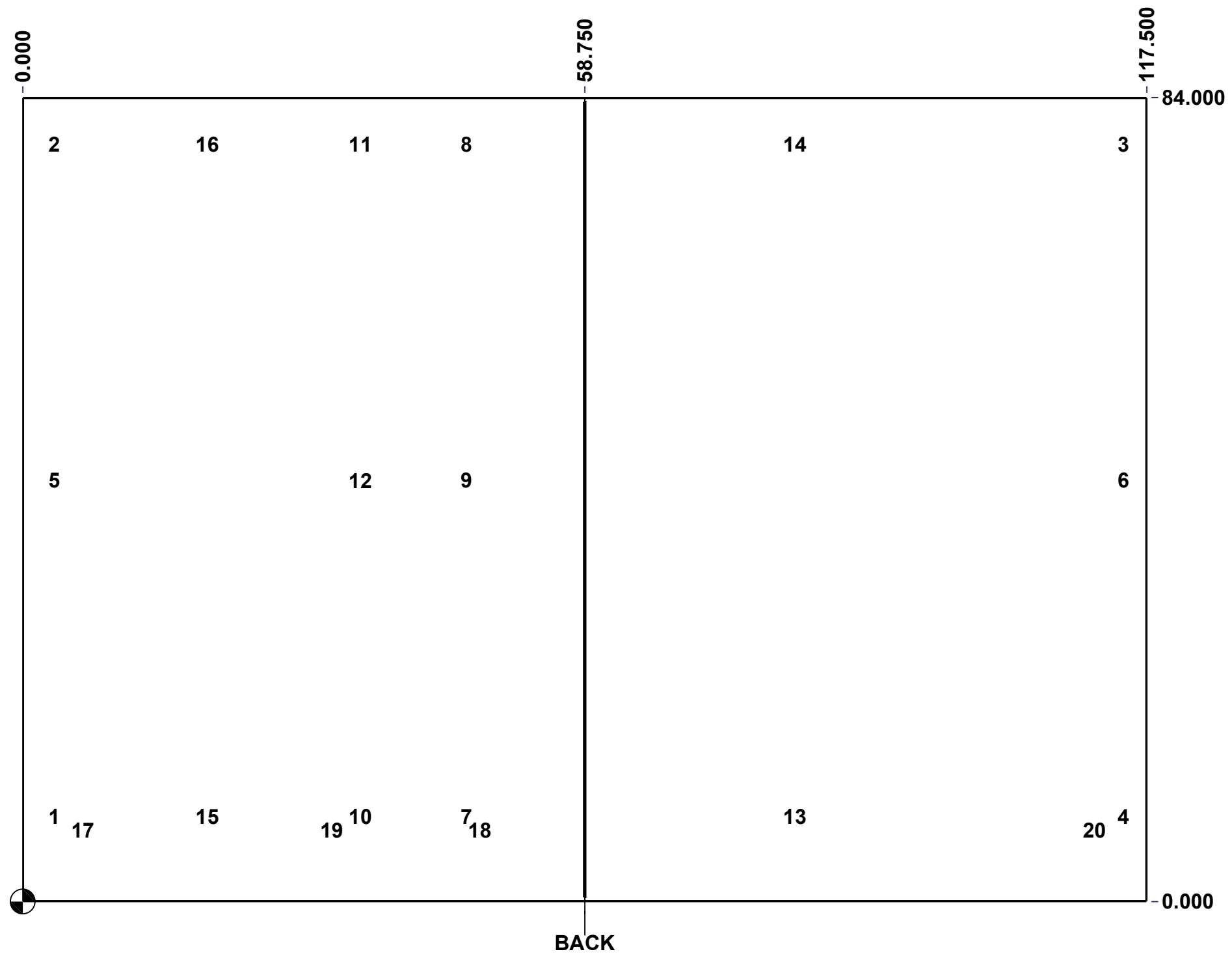
	Description	Status	
	9500U3D 84" x 117.5" x 24" Body	(NULL)	
	Part Number Numéro Pièce	Rev.	6
	9500U3D8411824B	0	21

This drawing is confidential and must not be reproduced or used without the consent of EXM

Ce dessin est confidentiel et ne doit pas être reproduit ou utilisé sans le consentement de EXM

STANDARD FEATURES ARE NOT LISTED IN THIS HOLE TABLE			
HOLE TABLE - BACK VIEW (CUSTOM FEATURE ONLY)			
CUT-OUT	XDIM	YDIM	DESCRIPTION
1	2.875	8.875	IP STUD M10 x 40mm (Inside)
2	2.875	79.125	IP STUD M10 x 40mm (Inside)
3	114.625	79.125	IP STUD M10 x 40mm (Inside)
4	114.625	8.875	IP STUD M10 x 40mm (Inside)
5	2.875	44.000	IP STUD M10 x 40mm (Inside)
6	114.625	44.000	IP STUD M10 x 40mm (Inside)
7	45.975	8.875	IP STUD M10 x 40mm (Inside)
8	45.975	79.125	IP STUD M10 x 40mm (Inside)
9	45.975	44.000	IP STUD M10 x 40mm (Inside)
10	34.875	8.875	IP STUD M10 x 40mm (Inside)
11	34.875	79.125	IP STUD M10 x 40mm (Inside)
12	34.875	44.000	IP STUD M10 x 40mm (Inside)
13	80.300	8.875	IP STUD M10 x 40mm (Inside)
14	80.300	79.125	IP STUD M10 x 40mm (Inside)
15	18.875	8.875	IP STUD M10 x 40mm (Inside)
16	18.875	79.125	IP STUD M10 x 40mm (Inside)

17	5.875	7.500	IP SUPPORT ANGLE (Inside)
18	47.375	7.500	IP SUPPORT ANGLE (Inside)
19	31.875	7.500	IP SUPPORT ANGLE (Inside)
20	111.625	7.500	IP SUPPORT ANGLE (Inside)

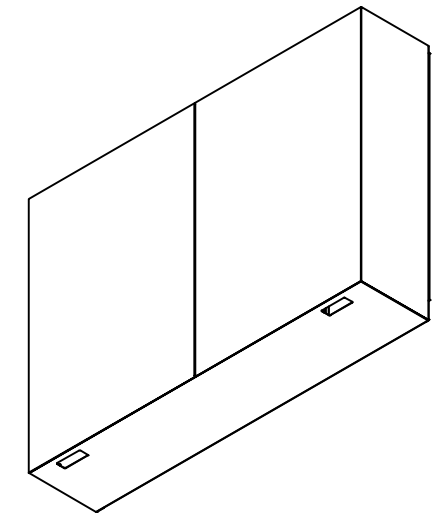


	Description	Status	
	9500U3D 84" x 117.5" x 24" Body	(NULL)	
	Part Number Numéro Pièce	Rev.	7
	9500U3D8411824B	0	21

This drawing is confidential and must not be reproduced or used without the consent of EXM

Ce dessin est confidentiel et ne doit pas être reproduit ou utilisé sans le consentement de EXM

No.	Revisions	Date	By/Par
0.1	Reduce the disconnect door width	18-Oct-24	Boxcad



Isometric View



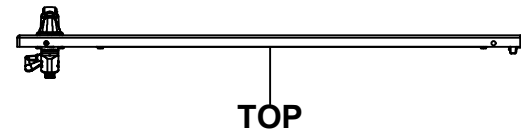
2	STK-Q-16030	0	Stud M6 x 10mm Steel
4	9500U3D8411824BPA-P	0	9500U3D Inner Panel Support Angle
1	9500U3D8411824_CR400 MS_27.5	0	Commercial Roll Mild Steel (27.5in long)
1	STK-P-02400S	0	Powder Paint (Asa-61 Grey / Smooth)
4	STK-Q-16055	1	M6 x 18mm Stud (No Paint Cap Required)
4	9500U3D8411824LA-P	0	9500U3D 24" Lifting Angle Part
1	9500U3D8411824CP-1	0	9500U3D 84" Center Post Part
1	STK-A-75454	3	Center Post - Sealing Block with Latch Assembly (Large)
1	9500U3D8411824CP-P	0	9500U3D 84" Center Post Part
16	STK-Q-16100	0	Stud M10 x 40mm Steel
1	9500U3D8411824BT-P	0	9500U3D 117.5" x 24" Bottom Part
1	9500U3D8411824T-P	0	9500U3D 117.5" x 24" Top Part
1	9500U3D8411824RS-P	0	9500U3D 84" x 117.5" Right Part
1	9500U3D8411824LS-P	0	9500U3D 84" x 117.5" Left Part
1	9500U3D8411824BR-P	0	9500U3D 84" x 117.5" Back Right Part
1	9500U3D8411824BL-P	0	9500U3D 84" x 117.5" Back Left Part
6	STK-Q-16080	0	Ground Stud M6 x 16mm Steel

Tél: (450) 979-4373 Fax: (450) 979-4626 www.exmweb.com	Flatness Aplatissement
	Max 3.0mm
	Projection
Customer Client	Date
Drawn By Dessiné Par	Date 18-Aug-24
BoxCad: BoxCad	
Material Matière	12 Ga Cold Rolled A1008 CS Type B (2.5mm)
Color Couleur	Asa-61 Grey
Finish Fini	Smooth
Description	Detail Rev.
9500U3D 84" x 117.5" x 24" Body	
Part Number Numéro Pièce	Rev. 8
9500U3D8411824B	0

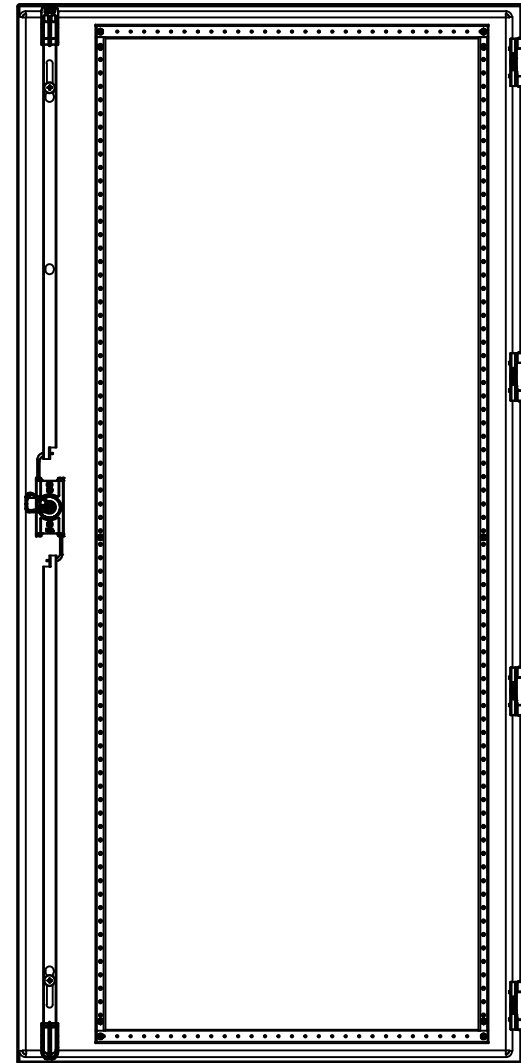
Qty	Part Number	Rev	Description
Parts List			

This drawing is confidential and must not be reproduced or used without the consent of EXM

Ce dessin est confidentiel et ne doit pas être reproduit ou utilisé sans le consentement de EXM



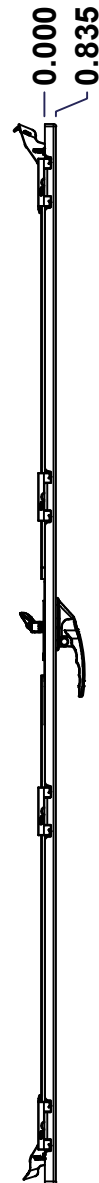
TOP



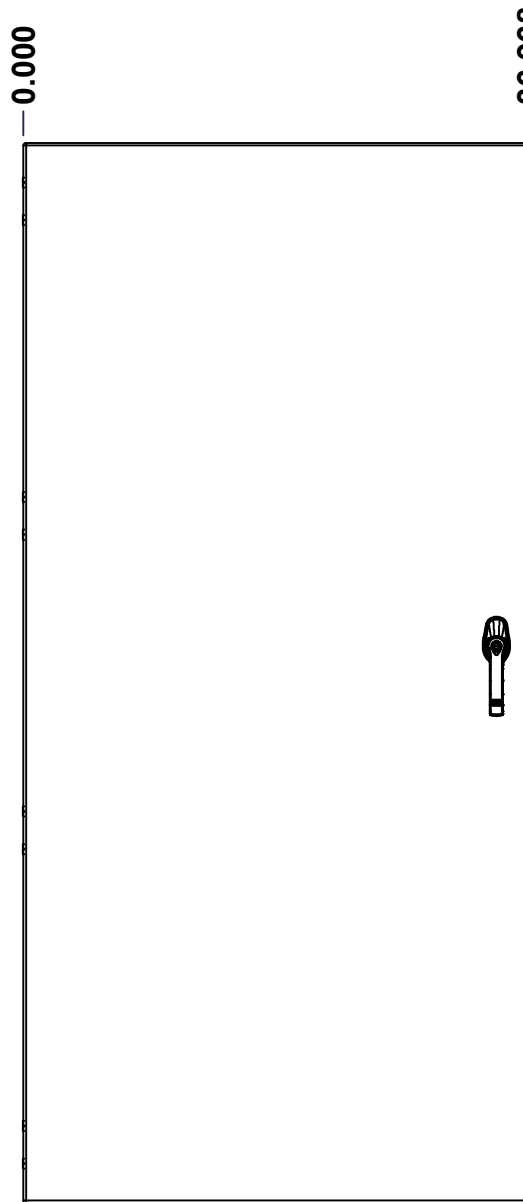
BACK



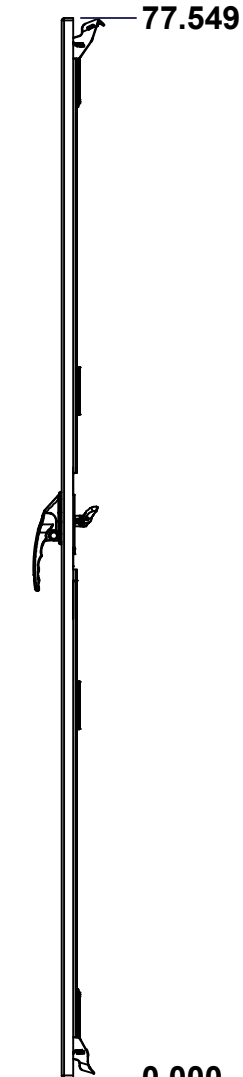
BOTTOM



LEFT

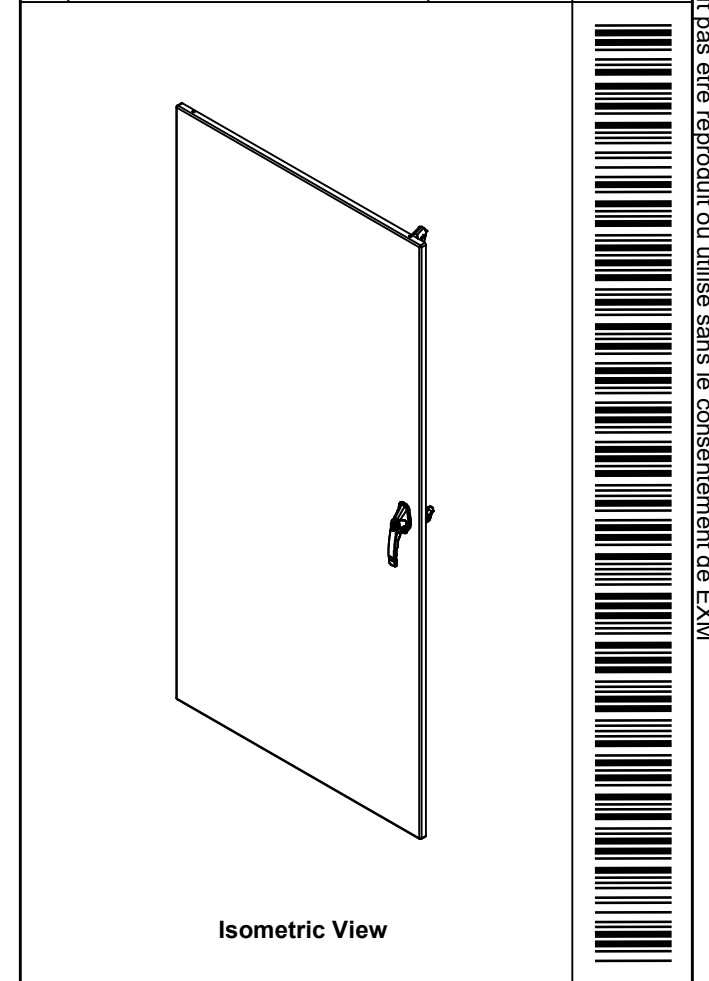



FRONT



RIGHT

No.	Revisions	Date	By/Par
0.1	Reduce the disconnect door width	18-Oct-24	Boxcad



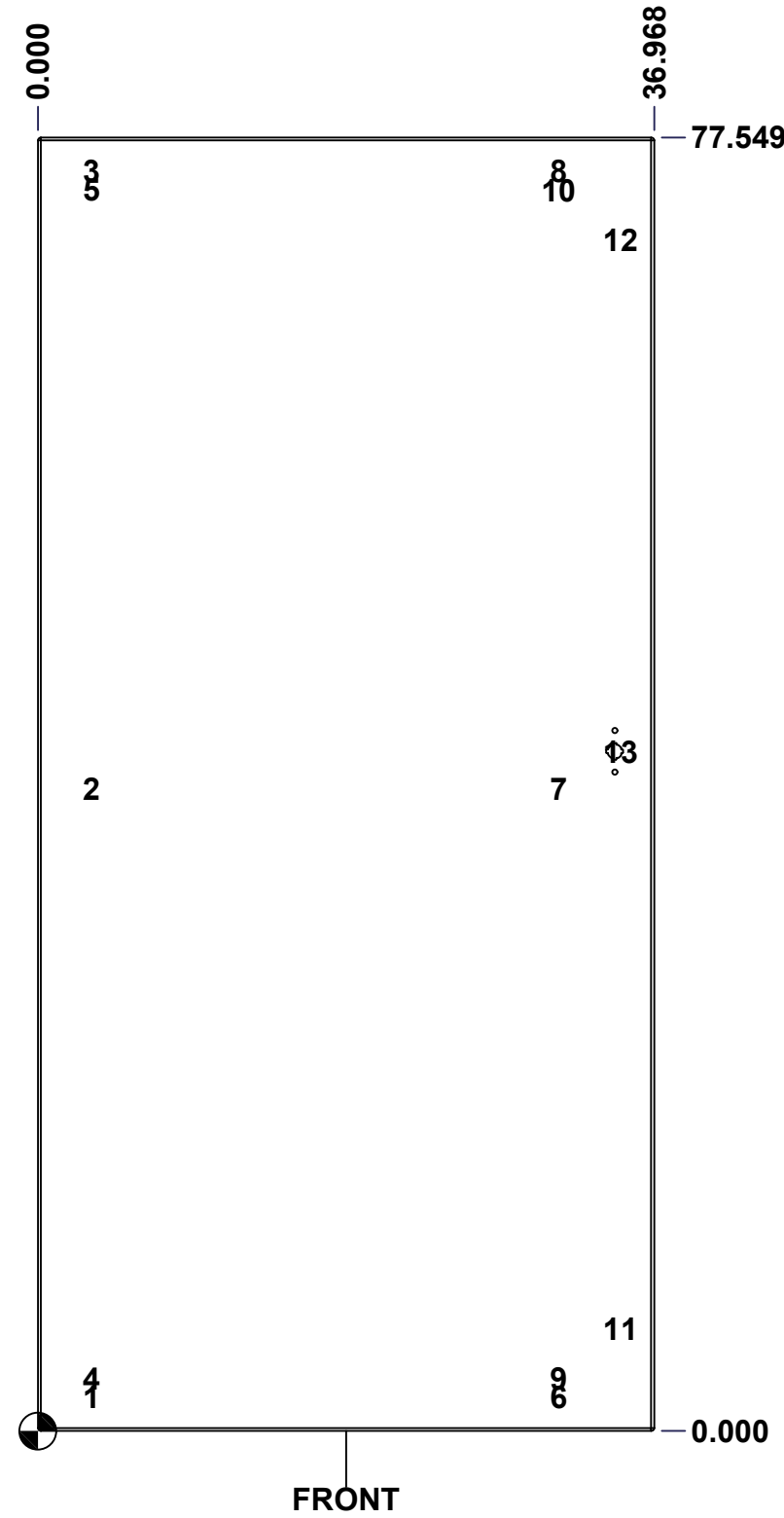
 Tél: (450) 979-4373 Fax: (450) 979-4626 www.exmweb.com		Flatness Aplatissement	
		Max 3.0mm	
Customer Client		Date	
Drawn By Dessiné Par BoxCad: BoxCad		Date 18-Aug-24	
Material Matière 12 Ga Cold Rolled A1008 CS Type B (2.5mm)			
Color Couleur Asa-61 Grey		Finish Fini Smooth	
Description 9500U3D 84" x 117.5" Lock Door			Detail Rev.
Part Number Numéro Pièce 9500U3D8411824LD		Rev. 0	9 21

SEE BILL OF MATERIAL ON LAST PAGE

This drawing is confidential and must not be reproduced or used without the consent of EXM

Ce dessin est confidentiel et ne doit pas être reproduit ou utilisé sans le consentement de EXM

STANDARD FEATURES ARE NOT LISTED IN THIS HOLE TABLE			
HOLE TABLE - FRONT VIEW (CUSTOM FEATURE ONLY)			
CUT-OUT	XDIM	YDIM	DESCRIPTION
1	2.859	2.028	STUD M6 x 18mm (Inside)
2	2.859	38.533	STUD M6 x 18mm (Inside)
3	2.859	75.521	STUD M6 x 18mm (Inside)
4	2.859	3.139	STUD M6 x 18mm (Inside)
5	2.859	74.409	STUD M6 x 18mm (Inside)
6	30.890	2.028	STUD M6 x 18mm (Inside)
7	30.890	38.533	STUD M6 x 18mm (Inside)
8	30.890	75.521	STUD M6 x 18mm (Inside)
9	30.890	3.139	STUD M6 x 18mm (Inside)
10	30.890	74.409	STUD M6 x 18mm (Inside)
11	34.593	6.118	CLOSING BAR STUD (Inside)
12	34.593	71.430	CLOSING BAR STUD (Inside)
-----	-----	-----	-----
13	34.593	40.743	HANDLE 885 ESL2A-APHD @ 0.0°

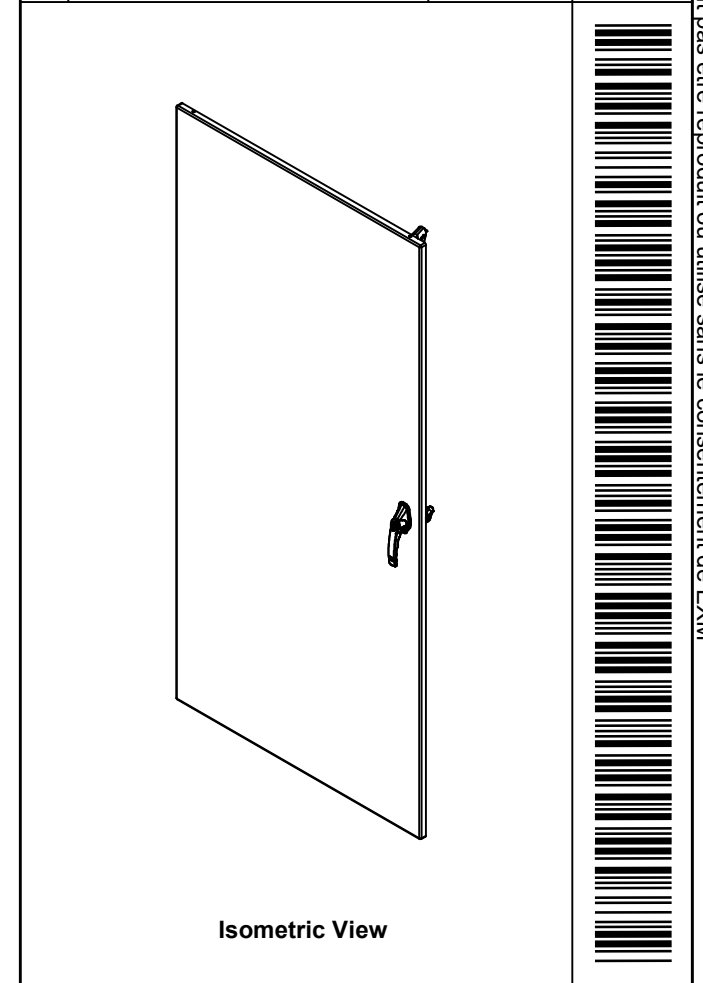


	Description	Status
	9500U3D 84" x 117.5" Lock Door	(NULL)
	Part Number Numéro Pièce	Rev.
	9500U3D8411824LD	0 / 10
		21

This drawing is confidential and must not be reproduced or used without the consent of EXM

Ce dessin est confidentiel et ne doit pas être reproduit ou utilisé sans le consentement de EXM

No.	Revisions	Date	By/Par
0.1	Reduce the disconnect door width	18-Oct-24	Boxcad



EXM
exm

Tél: (450) 979-4373
Fax: (450) 979-4626
www.exmweb.com

Flatness
Aplatissement
Max 3.0mm

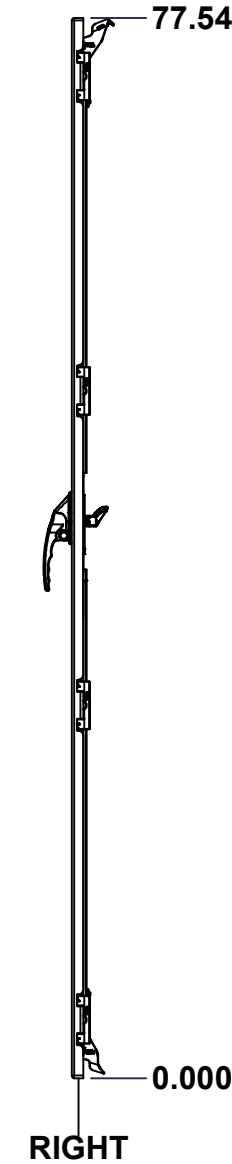
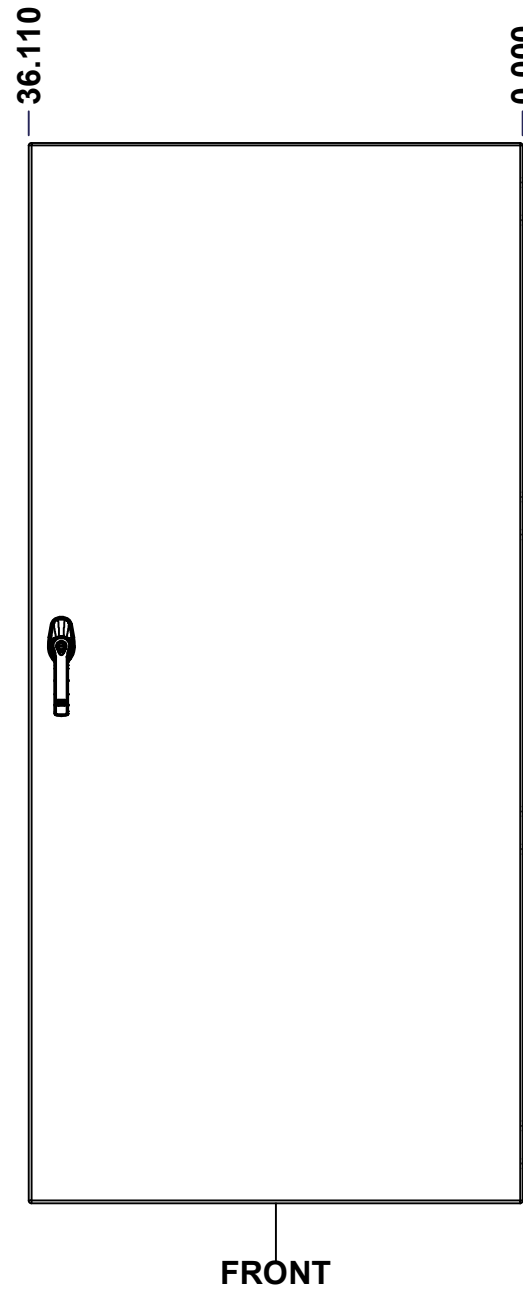
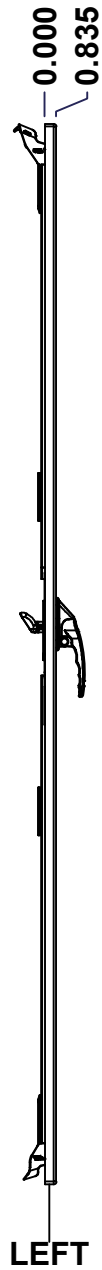
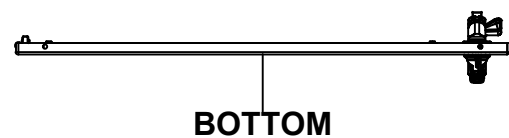
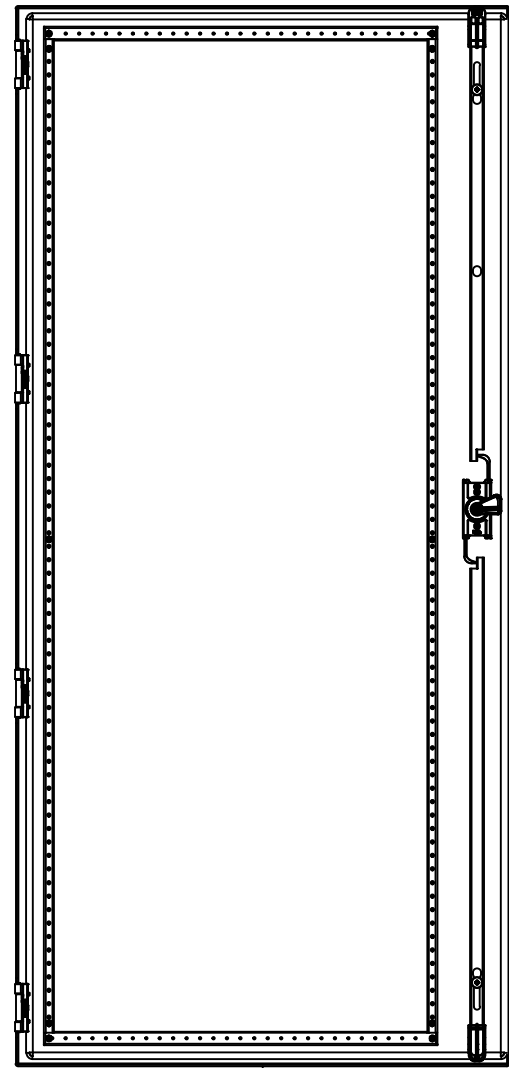
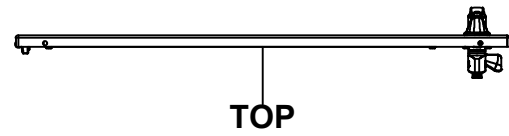
Projection

1	9500U3D8411824CB	0	9500U3D 84" Closing Bar
1	9500U3D8411824CB2ES Y	0	9500U3D 84" Disconnect Closing Bar
1	STK-A-03880-36	12	Gearbox Clockwise Assembly (Grip 36mm)
1	885ESL2A-APHD	1	885 ESL2A-APHD - Zinc Die Cast L-Handle Padlockable Assy - Slot Cylinder
1	STK-P-02400S	0	Powder Paint (Asa-61 Grey / Smooth)
1	9500U3D8411824DS1	0	9500U3D 84" x 117.5" Door Stiffener
12	STK-Q-16055	1	M6 x 18mm Stud (No Paint Cap Required)
1	9500U3D8411824LDG	0	9500U3D 84" x 117.5" Door Gasket
1	9500U3D8411824LD-P	0	9500U3D 84" x 117.5" Lock Door Part
4	STK-K-09860	7	Cabinet Hinge with Captive Pins
QTY	Part Number	Rev	Description
Parts List			

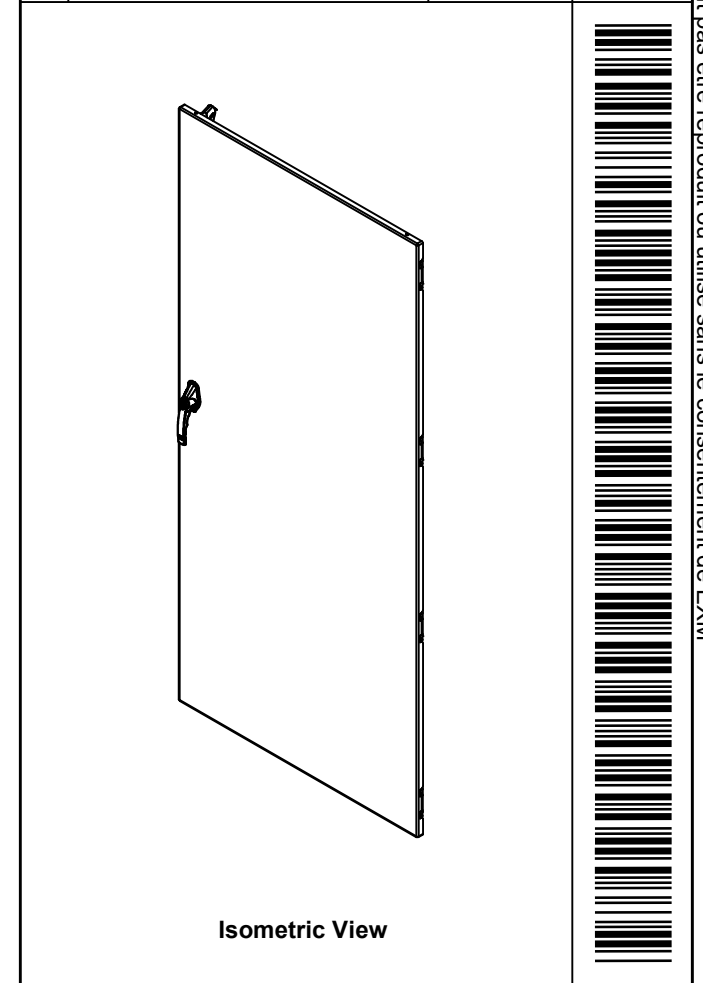
Customer Client	Date
Drawn By Dessiné Par BoxCad: BoxCad	Date 18-Aug-24
Material Matière 12 Ga Cold Rolled A1008 CS Type B (2.5mm)	
Color Couleur Asa-61 Grey	Finish Fini Smooth
Description 9500U3D 84" x 117.5" Lock Door	Detail Rev.
Part Number Numéro Pièce 9500U3D8411824LD	Rev. 11 0 21


This drawing is confidential and must not be reproduced or used without the consent of EXM

Ce dessin est confidentiel et ne doit pas être reproduit ou utilisé sans le consentement de EXM



No.	Revisions	Date	By/Par
0.1	Reduce the disconnect door width	18-Oct-24	Boxcad



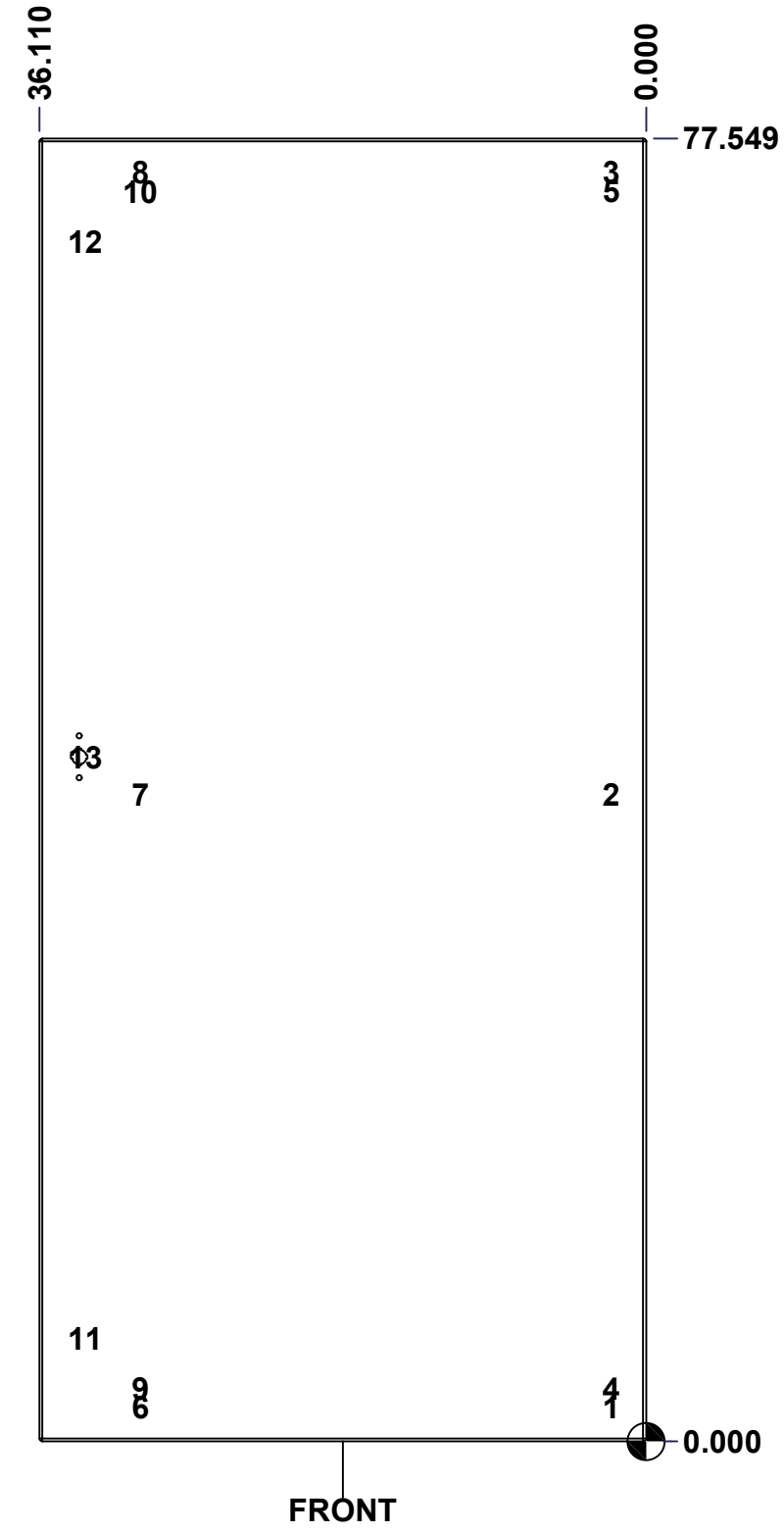
 Tél: (450) 979-4373 Fax: (450) 979-4626 www.exmweb.com		Flatness Aplatissement	
		Max 3.0mm	
Customer Client		Date	
Drawn By Dessiné Par BoxCad: BoxCad		Date 18-Aug-24	
Material Matière 12 Ga Cold Rolled A1008 CS Type B (2.5mm)			
Color Couleur Asa-61 Grey		Finish Fini Smooth	
Description 9500U3D 84" x 117.5" Lock Door			Detail Rev.
Part Number Numéro Pièce 9500U3D8411824RD		Rev. 0	12 / 21

SEE BILL OF MATERIAL ON LAST PAGE

This drawing is confidential and must not be reproduced or used without the consent of EXM

Ce dessin est confidentiel et ne doit pas être reproduit ou utilisé sans le consentement de EXM

STANDARD FEATURES ARE NOT LISTED IN THIS HOLE TABLE			
HOLE TABLE - FRONT VIEW (CUSTOM FEATURE ONLY)			
CUT-OUT	XDIM	YDIM	DESCRIPTION
1	2.430	2.028	STUD M6 x 18mm (Inside)
2	2.430	38.533	STUD M6 x 18mm (Inside)
3	2.430	75.521	STUD M6 x 18mm (Inside)
4	2.430	3.139	STUD M6 x 18mm (Inside)
5	2.430	74.409	STUD M6 x 18mm (Inside)
6	30.461	2.028	STUD M6 x 18mm (Inside)
7	30.461	38.533	STUD M6 x 18mm (Inside)
8	30.461	75.521	STUD M6 x 18mm (Inside)
9	30.461	3.139	STUD M6 x 18mm (Inside)
10	30.461	74.409	STUD M6 x 18mm (Inside)
11	33.735	6.118	CLOSING BAR STUD (Inside)
12	33.735	71.430	CLOSING BAR STUD (Inside)
-----	-----	-----	-----
13	33.735	40.743	HANDLE 885 ESL2A-APHD @ 0.0°

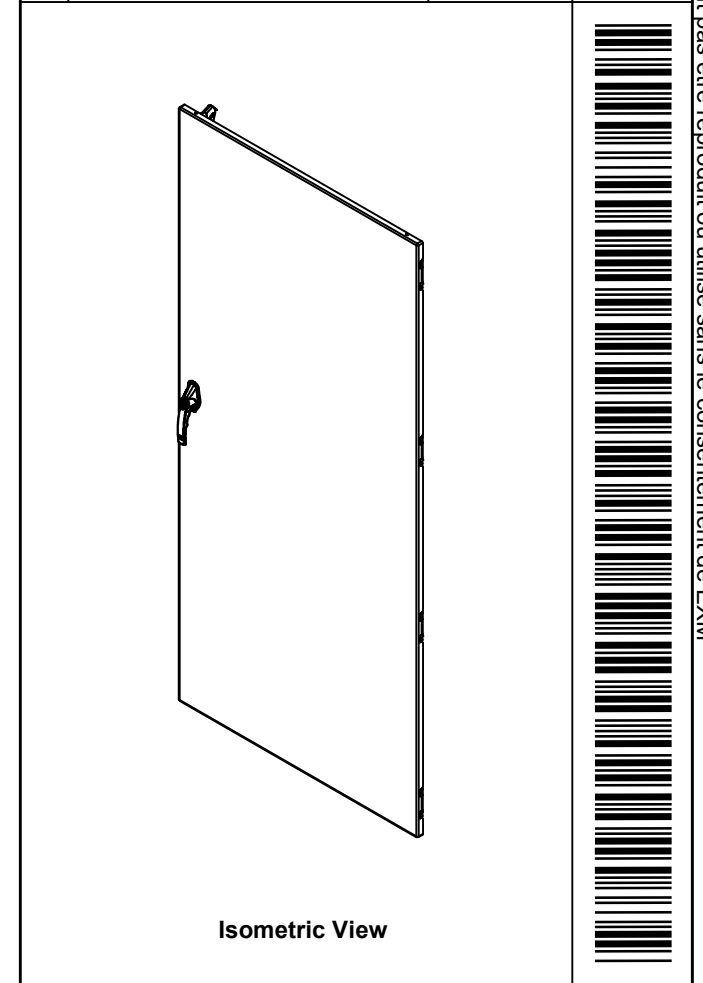


	Description	Status
	9500U3D 84" x 117.5" Lock Door	(NULL)
	Part Number Numéro Pièce	Rev.
	9500U3D8411824RD	0
		13
		21

This drawing is confidential and must not be reproduced or used without the consent of EXM

Ce dessin est confidentiel et ne doit pas être reproduit ou utilisé sans le consentement de EXM

No.	Revisions	Date	By/Par
0.1	Reduce the disconnect door width	18-Oct-24	Boxcad




 Tél: (450) 979-4373
 Fax: (450) 979-4626
www.exmweb.com

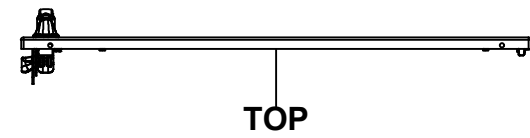
Flatness
 Aplatissement
 Max 3.0mm
Projection


1	9500U3D8411824CB	0	9500U3D 84" Closing Bar
1	9500U3D8411824CB2ES Y	0	9500U3D 84" Disconnect Closing Bar
1	STK-K-03980-36	12	Gearbox Counter Clockwise Assembly (Grip 36mm)
1	885ESL2A-APHD	1	885 ESL2A-APHD - Zinc Die Cast L-Handle Padlockable Assy - Slot Cylinder
1	STK-P-02400S	0	Powder Paint (Asa-61 Grey / Smooth)
1	9500U3D8411824DS1	0	9500U3D 84" x 117.5" Door Stiffener
12	STK-Q-16055	1	M6 x 18mm Stud (No Paint Cap Required)
1	9500U3D8411824RDG	0	9500U3D 84" x 117.5" Door Gasket
1	9500U3D8411824RD-P	0	9500U3D 84" x 117.5" Right Door Part
4	STK-K-09860	7	Cabinet Hinge with Captive Pins
QTY	Part Number	Rev	Description
Parts List			

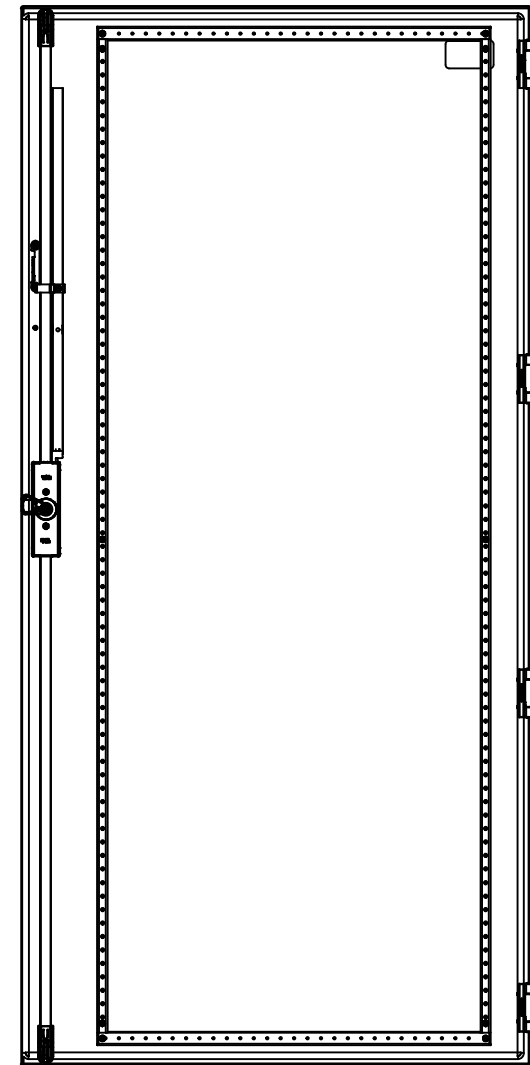
Customer Client	Date
Drawn By Dessiné Par BoxCad: BoxCad	Date 18-Aug-24
Material Matière 12 Ga Cold Rolled A1008 CS Type B (2.5mm)	
Color Couleur Asa-61 Grey	Finish Fini Smooth
Description 9500U3D 84" x 117.5" Lock Door	Detail Rev.
Part Number Numéro Pièce 9500U3D8411824RD	Rev. 14 0 21

This drawing is confidential and must not be reproduced or used without the consent of EXM

Ce dessin est confidentiel et ne doit pas être reproduit ou utilisé sans le consentement de EXM



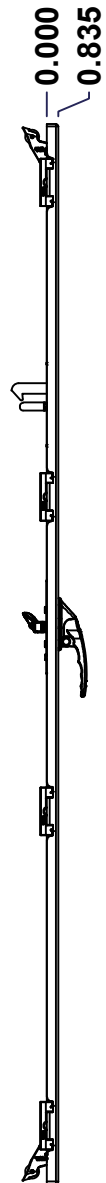
TOP



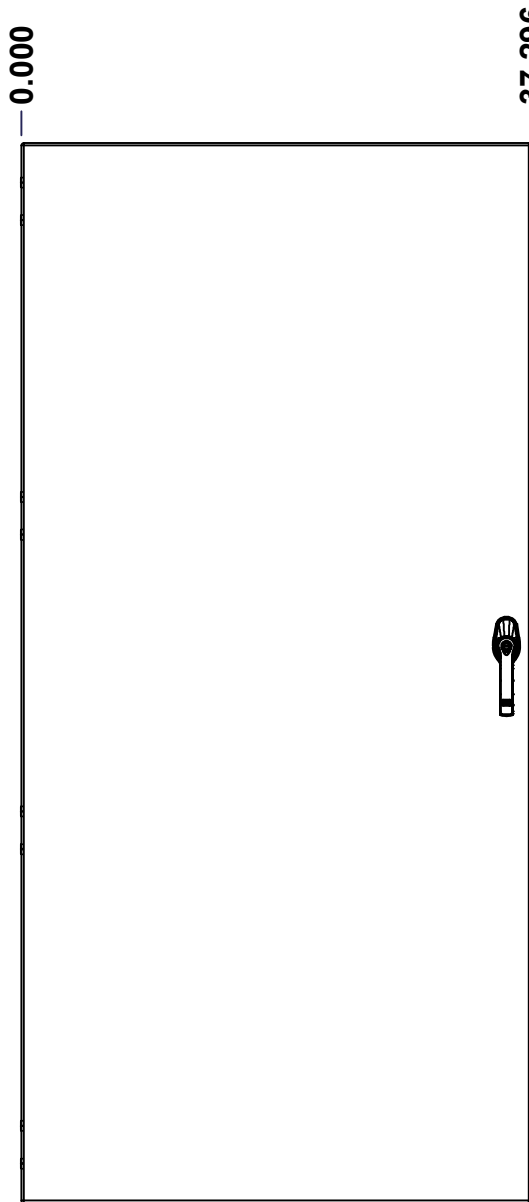
BACK



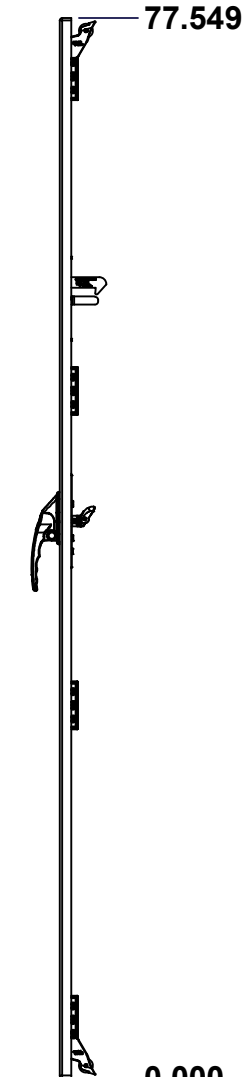
BOTTOM



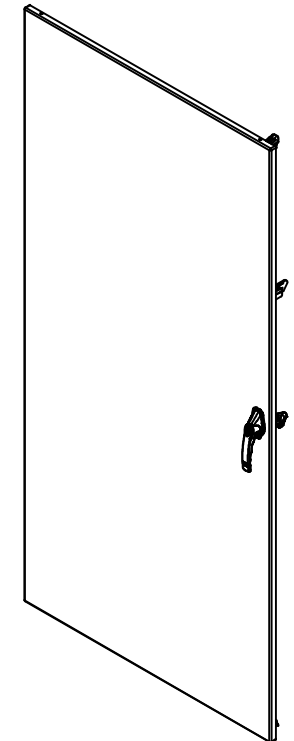
LEFT



FRONT




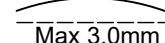
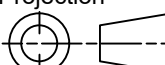
RIGHT



Isometric View



No.	Revisions	Date	By/Par
0.1	Reduce the disconnect door width	18-Oct-24	Boxcad

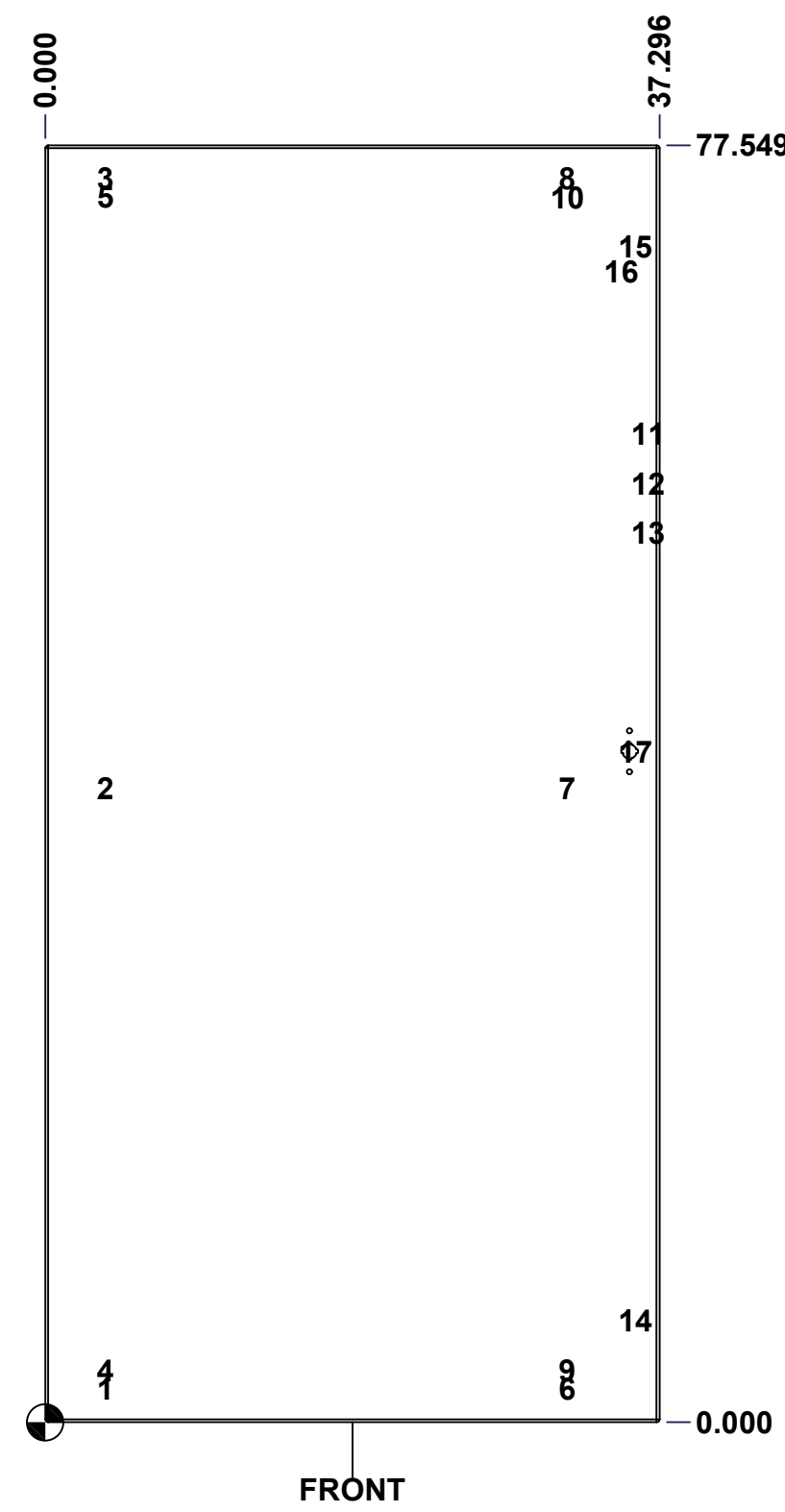
 Tél: (450) 979-4373 Fax: (450) 979-4626 www.exmweb.com		Flatness Aplatissement  Max 3.0mm Projection 
Customer Client	Date	
Drawn By Dessiné Par	BoxCad: BoxCad	Date 18-Aug-24
Material Matière	12 Ga Cold Rolled A1008 CS Type B (2.5mm)	
Color Couleur	Asa-61 Grey	Finish Fini Smooth
Description	Detail Rev.	
9500U3D 84" x 117.5" Flange Door		
Part Number Numéro Pièce	Rev.	15
9500U3D8411824FD	0	21

SEE BILL OF MATERIAL ON LAST PAGE

This drawing is confidential and must not be reproduced or used without the consent of EXM

Ce dessin est confidentiel et ne doit pas être reproduit ou utilisé sans le consentement de EXM

STANDARD FEATURES ARE NOT LISTED IN THIS HOLE TABLE			
HOLE TABLE - FRONT VIEW (CUSTOM FEATURE ONLY)			
CUT-OUT	XDIM	YDIM	DESCRIPTION
1	3.324	2.028	STUD M6 x 18mm (Inside)
2	3.324	38.533	STUD M6 x 18mm (Inside)
3	3.324	75.521	STUD M6 x 18mm (Inside)
4	3.324	3.139	STUD M6 x 18mm (Inside)
5	3.324	74.409	STUD M6 x 18mm (Inside)
6	31.355	2.028	STUD M6 x 18mm (Inside)
7	31.355	38.533	STUD M6 x 18mm (Inside)
8	31.355	75.521	STUD M6 x 18mm (Inside)
9	31.355	3.139	STUD M6 x 18mm (Inside)
10	31.355	74.409	STUD M6 x 18mm (Inside)
11	36.251	60.011	STUD M6 x 18mm (Inside)
12	36.251	57.011	STUD M6 x 18mm (Inside)
13	36.251	54.011	STUD M6 x 18mm (Inside)
14	35.474	6.179	LARGE CBAR GUIDE (Inside)
15	35.474	71.370	LARGE CBAR GUIDE (Inside)
16	34.618	69.870	LARGE CBAR GUIDE (Inside)
-----	-----	-----	-----
17	35.484	40.743	HANDLE 885 ESL2A-APHD @ 0.0°

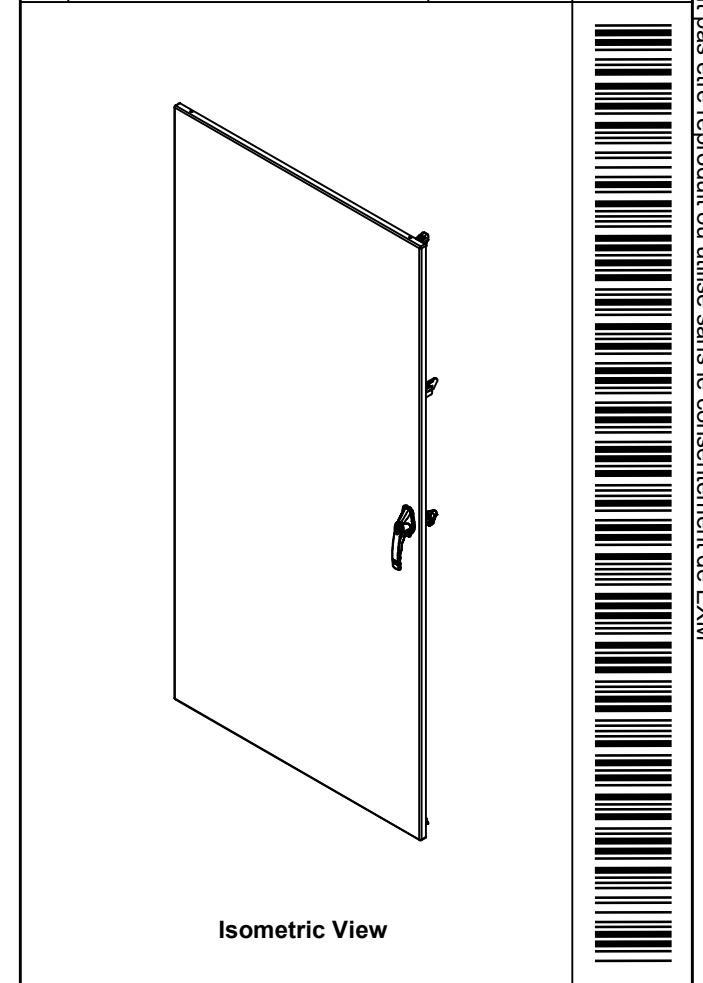


	Description	Status
	9500U3D 84" x 117.5" Flange Door	(NULL)
Part Number Numéro Pièce 9500U3D8411824FD	Rev.	16
	0	21

This drawing is confidential and must not be reproduced or used without the consent of EXM

Ce dessin est confidentiel et ne doit pas être reproduit ou utilisé sans le consentement de EXM

No.	Revisions	Date	By/Par
0.1	Reduce the disconnect door width	18-Oct-24	Boxcad




 Tél: (450) 979-4373
 Fax: (450) 979-4626
www.exmweb.com

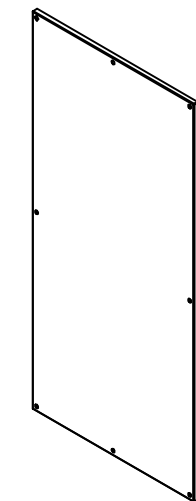
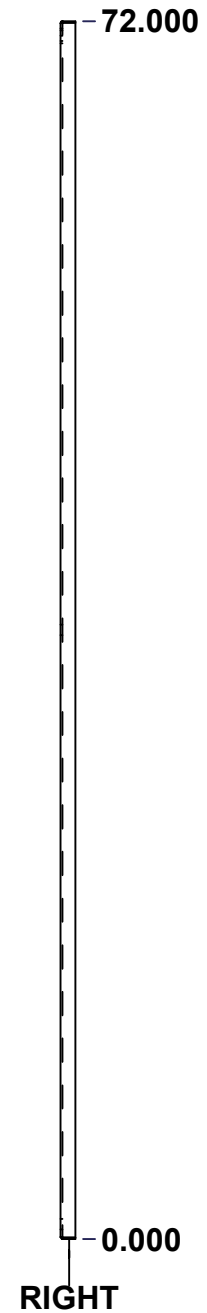
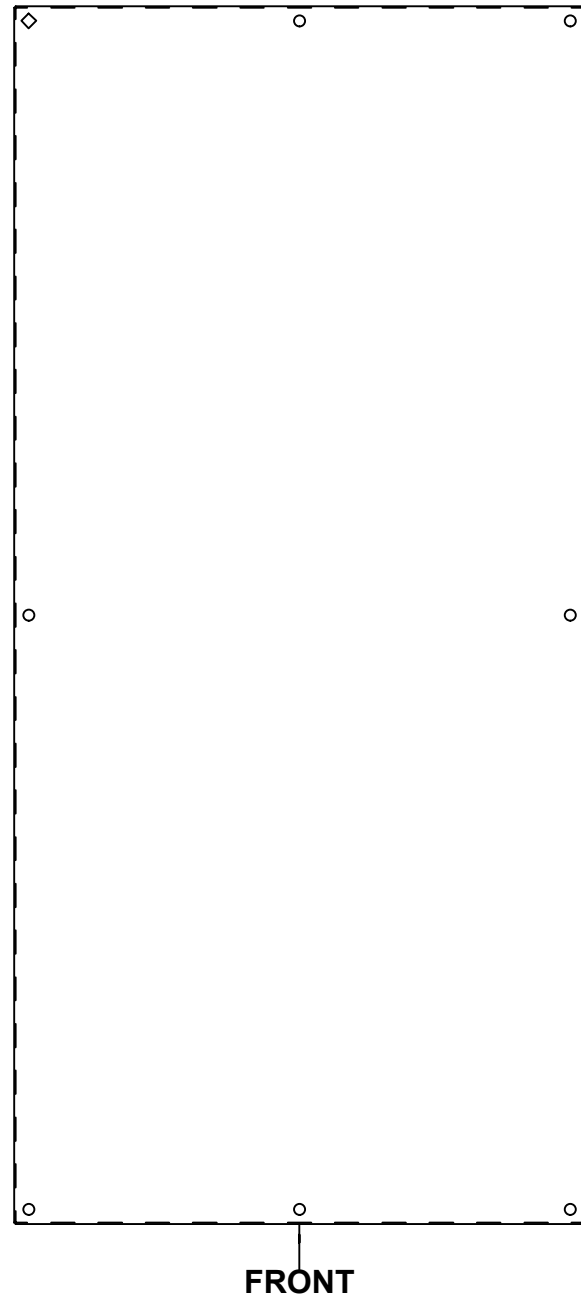
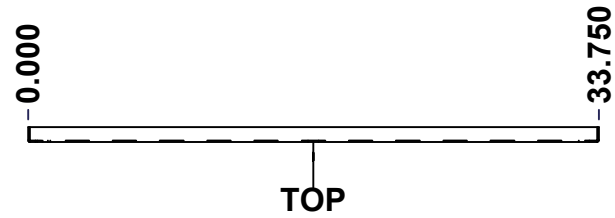
Flatness
Aplatissement
 Max 3.0mm
Projection


1	STK-K-09584	0	9500 UxD 84" Locking Mechanism Kit
1	885ESL2A-APHD	1	885 ESL2A-APHD - Zinc Die Cast L-Handle Padlockable Assy - Slot Cylinder
1	STK-P-02400S	0	Powder Paint (Asa-61 Grey / Smooth)
1	STK-S-00100	0	3.5" x 2" Silver Milar Flexcon Sticker
1	9500U3D8411824DS1	0	9500U3D 84" x 117.5" Door Stiffener
3	STK-Q-16410	0	Guide Stud - Largel (No Paint Cap Required)
13	STK-Q-16055	1	M6 x 18mm Stud (No Paint Cap Required)
1	9500U3D8411824FDG	0	9500U3D 84" x 117.5" Lock Door Gasket
1	9500U3D8411824FD-P	0	9500U3D 84" x 117.5" Flange Door Part
4	STK-K-09860	7	Cabinet Hinge with Captive Pins
QTY	Part Number	Rev	Description
Parts List			

Customer Client	Date
Drawn By Dessiné Par BoxCad: BoxCad	Date 18-Aug-24
Material Matière 12 Ga Cold Rolled A1008 CS Type B (2.5mm)	
Color Couleur Asa-61 Grey	Finish Fini Smooth
Description 9500U3D 84" x 117.5" Flange Door	Detail Rev.
Part Number Numéro Pièce 9500U3D8411824FD	Rev. 17 0 21

This drawing is confidential and must not be reproduced or used without the consent of EXM


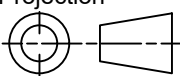
Ce dessin est confidentiel et ne doit pas être reproduit ou utilisé sans le consentement de EXM



Isometric View



No.	Revisions	Date	By/Par
0.1	Reduce the disconnect door width	18-Oct-24	Boxcad

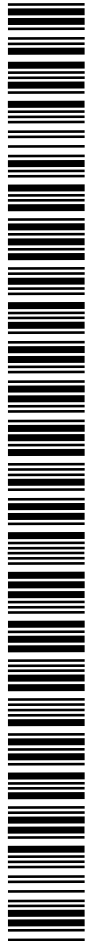
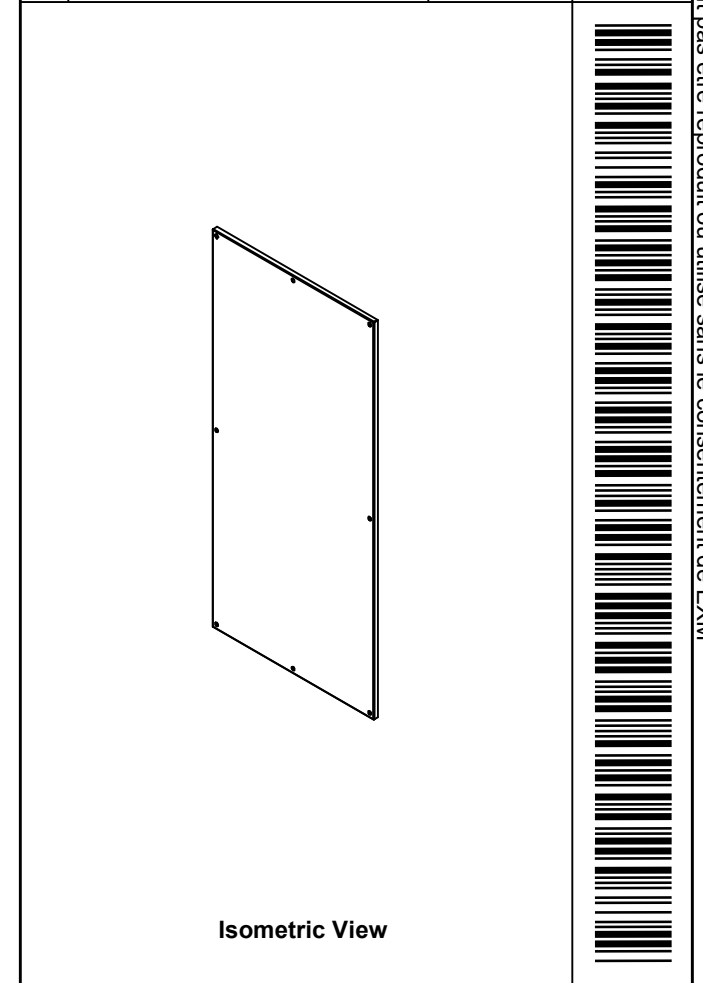
 Tél: (450) 979-4373 Fax: (450) 979-4626 www.exmweb.com		Flatness Aplatissement Max 3.0mm
Customer Client		Projection 
Drawn By / Dessiné Par: BoxCad: BoxCad		Date: 18-Aug-24
Material / Matière: 12 Ga Galvanized (2.5mm)		
Color / Couleur: Unpainted	Finish / Fini: Unpainted	
Description: 9500U3D 84" x 117.5" Inner Panel		Detail Rev.
Part Number / Numéro Pièce: 9500U3D8411824I2		Rev. 18 0 / 21


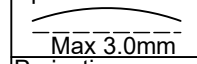
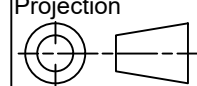
SEE BILL OF MATERIAL ON LAST PAGE

This drawing is confidential and must not be reproduced or used without the consent of EXM

Ce dessin est confidentiel et ne doit pas être reproduit ou utilisé sans le consentement de EXM

No.	Revisions	Date	By/Par
0.1	Reduce the disconnect door width	18-Oct-24	Boxcad

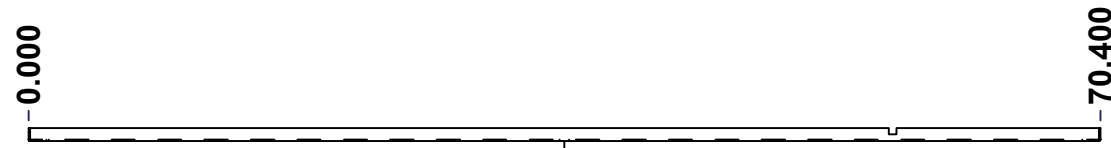


 Tél: (450) 979-4373 Fax: (450) 979-4626 www.exmweb.com		Flatness Aplatissement  Max 3.0mm
Customer Client		Projection 
Drawn By / Dessiné Par: BoxCad: BoxCad		Date: 18-Aug-24
Material / Matière: 12 Ga Galvanized (2.5mm)		
Color / Couleur: Unpainted	Finish / Fini: Unpainted	
Description: 9500U3D 84" x 117.5" Inner Panel		Detail Rev.
Part Number / Numéro Pièce: 9500U3D8411824I2		Rev. 0 / 19

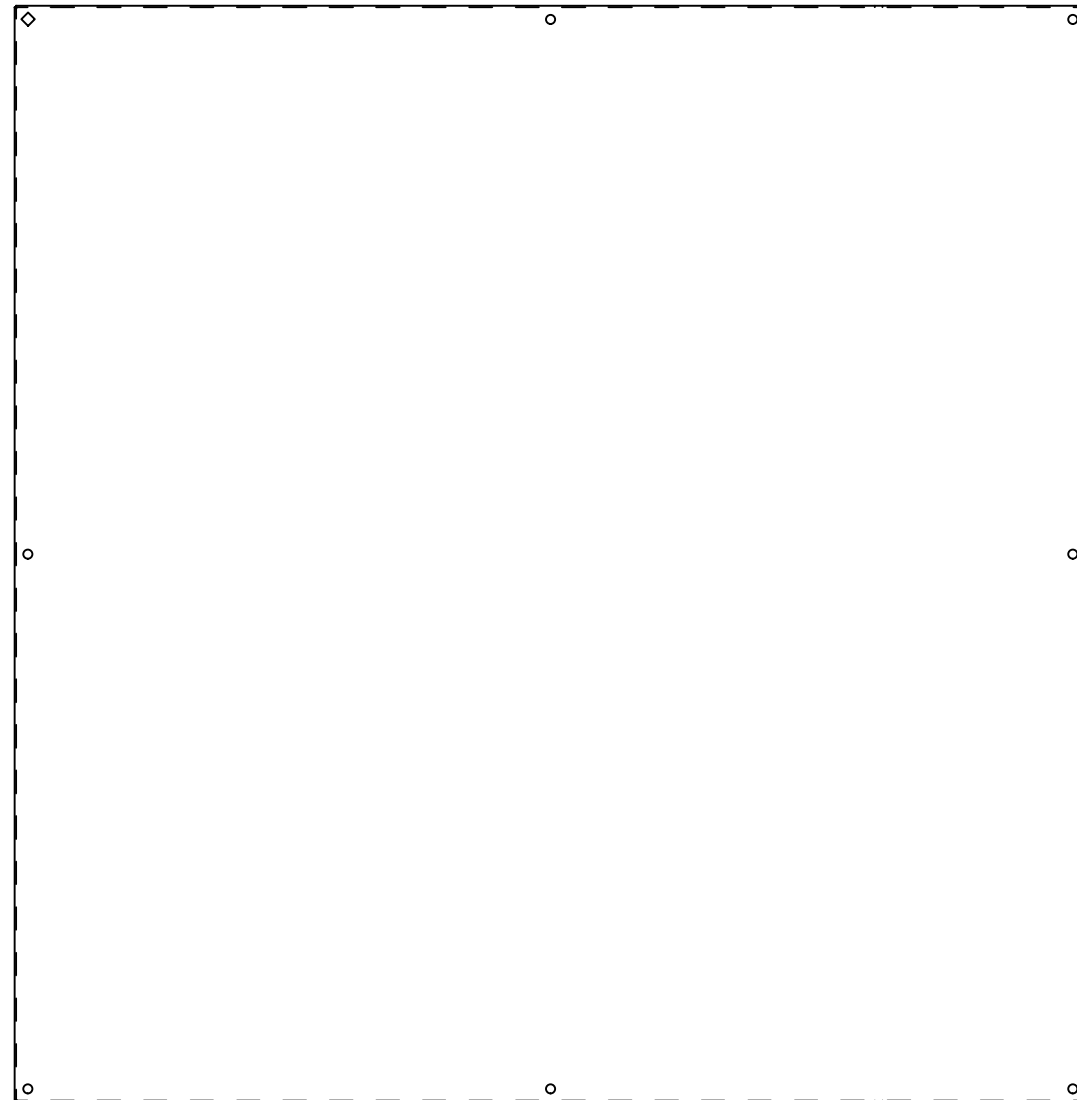
Qty	Part Number	Rev	Description
1	9500U3D8411824IP-2	0	9500U3D 84" x 117.5" Inner Panel Part
Parts List			

This drawing is confidential and must not be reproduced or used without the consent of EXM

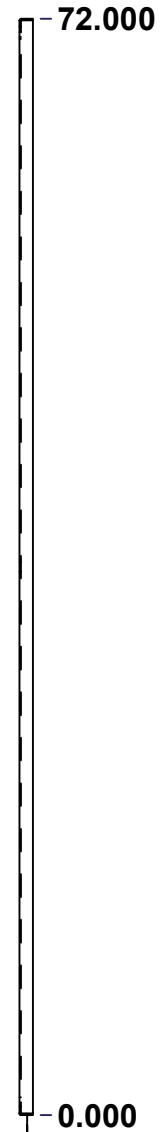
Ce dessin est confidentiel et ne doit pas être reproduit ou utilisé sans le consentement de EXM



TOP



FRONT



RIGHT

No.	Revisions	Date	By/Par
0.1	Reduce the disconnect door width	18-Oct-24	Boxcad

Isometric View

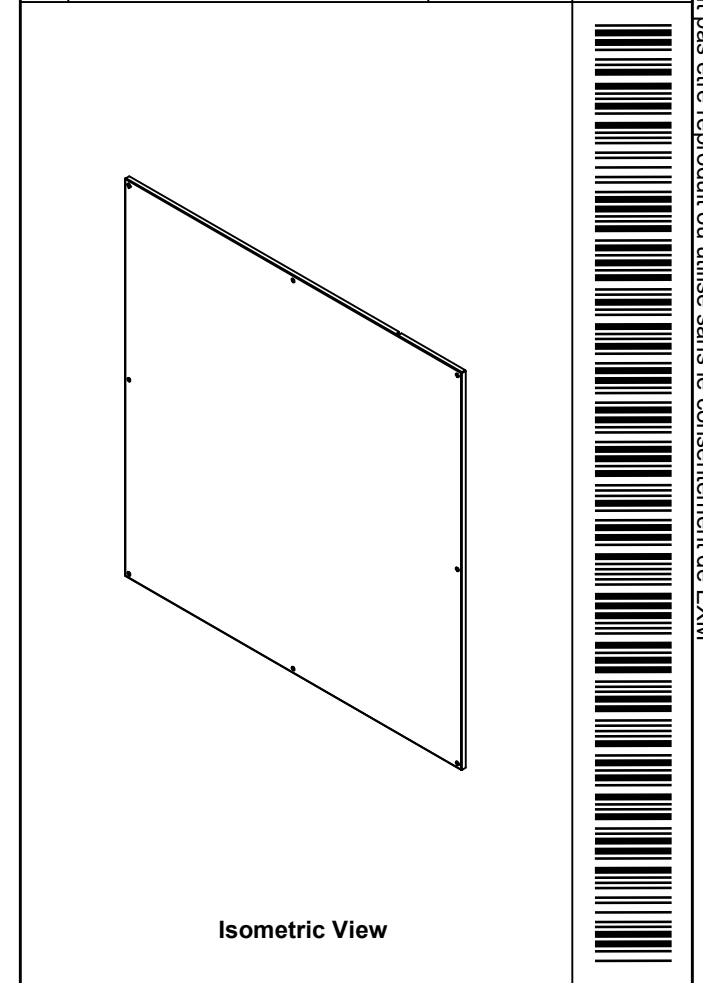
Tél: (450) 979-4373 Fax: (450) 979-4626 www.exmweb.com		Flatness Aplatissement	
		Max 3.0mm	
Customer Client		Date	
Drawn By Dessiné Par BoxCad: BoxCad		Date 18-Aug-24	
Material Matière 12 Ga Galvanized (2.5mm)			
Color Couleur Unpainted		Finish Fini Unpainted	
Description 9500U3D 84" x 117.5" Inner Panel			Detail Rev.
Part Number Numéro Pièce 9500U3D8411824IP		Rev. 0	20 21

SEE BILL OF MATERIAL ON LAST PAGE


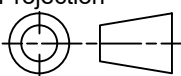
This drawing is confidential and must not be reproduced or used without the consent of EXM

Ce dessin est confidentiel et ne doit pas être reproduit ou utilisé sans le consentement de EXM

No.	Revisions	Date	By/Par
0.1	Reduce the disconnect door width	18-Oct-24	Boxcad



Isometric View

 Tél: (450) 979-4373 Fax: (450) 979-4626 www.exmweb.com		Flatness Aplatissement Max 3.0mm
Customer Client		Projection 
Drawn By / Dessiné Par: BoxCad: BoxCad		Date: 18-Aug-24
Material / Matière: 12 Ga Galvanized (2.5mm)		
Color / Couleur: Unpainted	Finish / Fini: Unpainted	
Description: 9500U3D 84" x 117.5" Inner Panel		Detail Rev.
Part Number / Numéro Pièce: 9500U3D8411824IP		Rev. 0 / 21

Qty	Part Number	Rev	Description
1	9500U3D8411824IP-P	0	9500U3D 84" x 117.5" Inner Panel Part
Parts List			